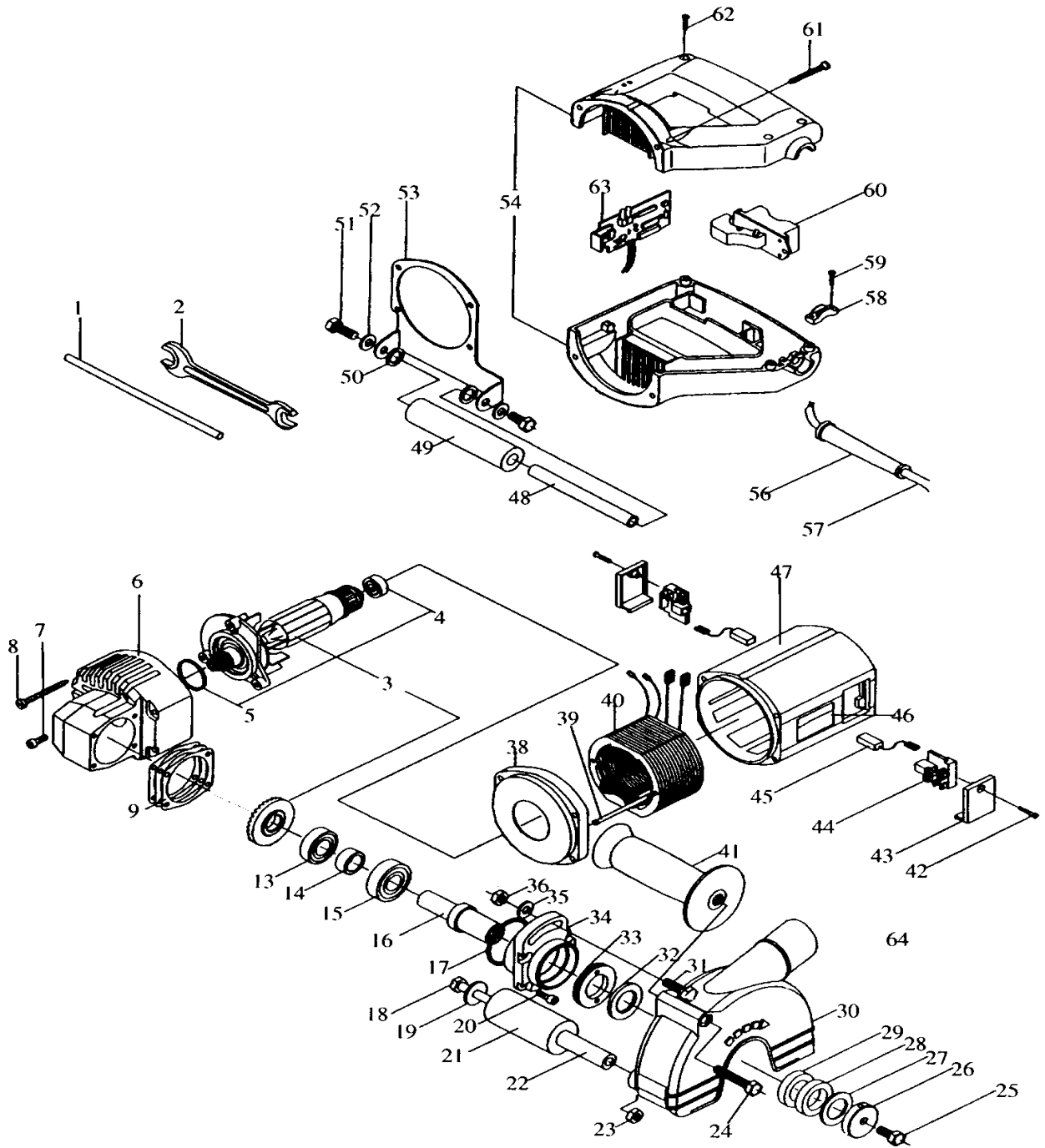


SG150



SG150

Line No	Item No.	Description	Remarks
1	B47720	BOLT	
2	B03384	WRENCH 13/17	
3	B35915	ARMATURE ASSY 240V	
	B53389	ARMATURE ASSY 110V	
4	211066-7	BALL BEARING 6200LLB	
5	B51003	O-RING 31x2,5	
6	B50815	GEAR HOUSING	
7	B33415	TAPTITE SCREW M5x20	
8	B07450	SCREW 4,8x80	
9	B30361	SHIM 0,15	
	B30379	SHIM 0,2	
	B30387	SHIM 0,3	
13	211275-8	BALL BEARING 6003LLU	
14	B30015	SLEEVE	
15	211281-3	BLL BEARING 6203LLU	
16	B46748	SPINDLE	
17	B30148	O-RING 46x2	
18	B11122	HEX. BOLT M8x90	
19	B11189	WASHER 8,4	
20	B33415	TAPTITE SCREW M5x20	
21	B10777	TENSION ROLLER	
22	B11247	PIPE	
23	B18952	HEX.NUT M8	
24	B33407	HEX.BOLT M8X55	
25	B10983	HEX.BOLT M8X16	
26	B29934	OUTER FLANGE	
27	B30486	RING 3	
28	B10678	RING 10	
29	B30494	RING 18	
30	B50831	SAFETY COVER	
31	B11528	HEX. BOLT M8X25	
32	B29884	RING 2,7	
33	B30171	BEARING RETAINER	
34	B50823	BEARING BOX	
35	B21071	WASHER 8	
36	B18952	HEX.NUT M8	
38	B41418	BAFFLE PLATE	
39	B36137	SCREW 4X80	
40	B50849	FIELD ASSY 240V	
	B47290	FIELD ASSY 110V	
41	B08482	SIDE GRIP	
42	B21030	PAN HEAD SCREW 3,9X13	
43	B38299	BRUSH HOLDER COVER 240V	

Line No	Item No.	Description	Remarks
	B46243	BRUSH HOLDER COVER 110V	
44	B46243	BRUSH HOLDER	
45	B45872	CARBON BRUSH	
46	B47721	NAME PLATE 110V	
	B50864	NAME PLATE 240V	
47	B50807	MOTOR HOUSING	
48	B31096	PIPE	
49	B09506	TENSION ROLLER	
50	B26948	WASHER 13	
51	B30981	HEX. BOLT M7X12	
52	B31070	WASHER 7,4	
53	B10801	HOLDER	
54	B48611	HANDLE SET	
56	B25221	CORD GUARD	
58	B17913	STRAIN RELIEF	
59	B20990	PAN HEAD SCREW 3,9X16	
60	B31468	SWITCH	
61	B44941	PAN HEAD SCREW 4,8X38	
62	B42721	PAN HEAD SCREW 3,9X19	
63	B35055	CONTROLLER 240V	
	B50757	CONTROLLER 110V	
A001	B50856	MULTI STEEL CASE	
A002	P-22327	D. WHEEL 150 MM FOR ABRASIVE	
A003	P-22311	D. WHEEL 150MM FOR HARD MATERIAL	