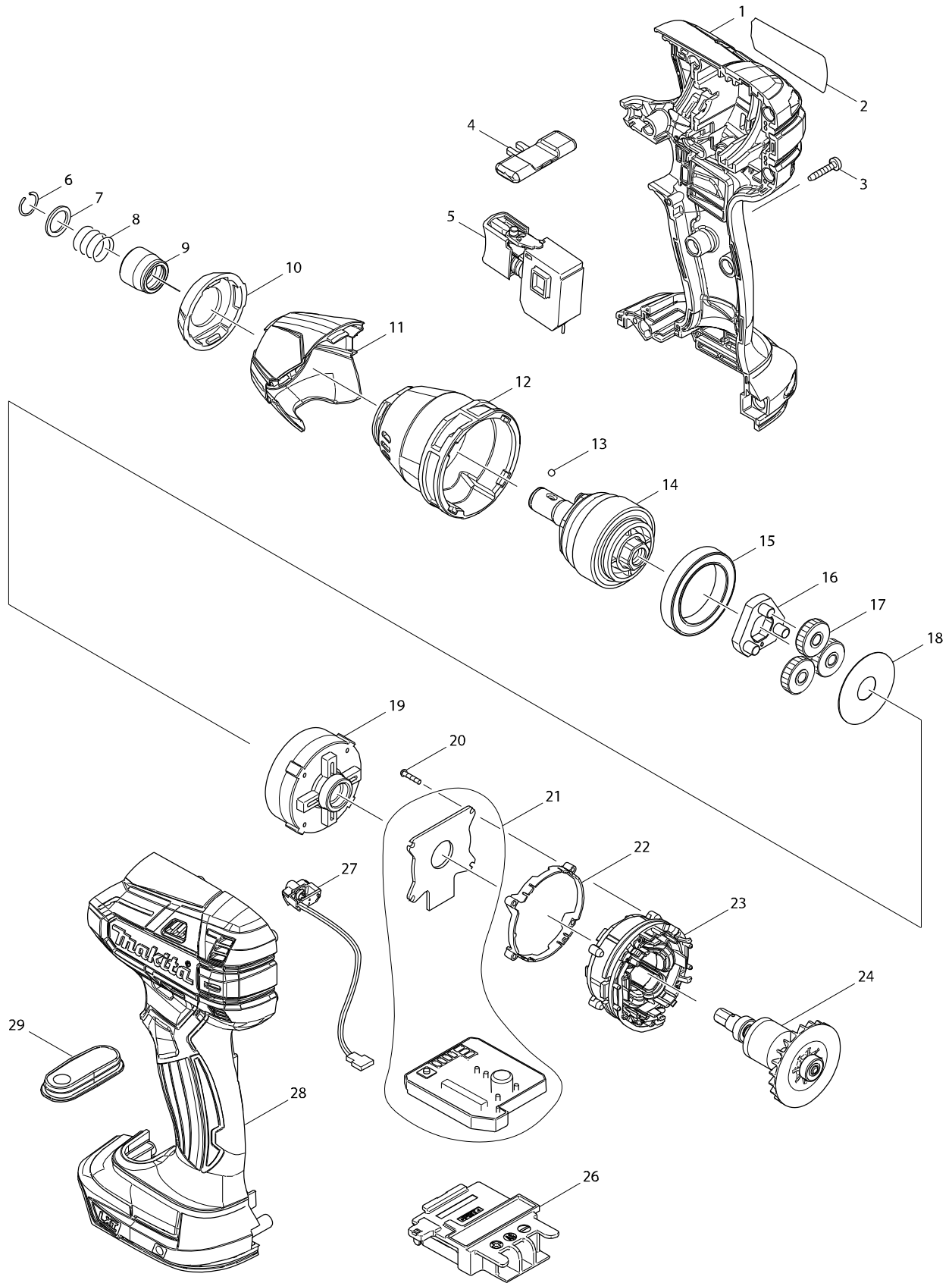


Modelo DTS141 CORDLESS OIL-PULSE DRIVER



Artículo	Código	Descripción	Interc	Cantidad	N/O	Opción 1	Opción 2	Notas
001	187989-0	HOUSING SET		1				
C10	263005-3	FIJADOR 6*		2				
C20	252126-6	HEX. LOCKING NUT M4-7		2				
D10		INC. 28						
002	850H88-6	DTS141 NAME PLATE		1				
003	266130-9	TORNILLO PT3X16		9				
004	455053-8	F/R CHANGE LEVER		1				
005	650673-5	INTERRUPTOR C3JW-1A BTP141		1				
006	231965-7	ANILLO DE CIERRE PARA 6796FD		1				
007	267143-3	ARANDELA PLANA PARA 6796FD		1				
008	234347-2	COMPRESSION SPRING 11		1				
009A	326465-1	BIT SLEEVE		1	*			
009B	326465-1	BIT SLEEVE		1	*			
009C	326465-1	BIT SLEEVE		1	*			
009D	326465-1	BIT SLEEVE		1	*			
009-1A	326542-9	BIT SLEEVE	<	1				
009-1B	326542-9	BIT SLEEVE	<	1				
009-1C	326542-9	BIT SLEEVE	<	1				
009-1D	326542-9	BIT SLEEVE	<	1				
009-1E	326542-9	BIT SLEEVE		1				
010	424662-4	BUMPER		1				
011	455468-9	UNIT CASE COVER		1				
012	142928-7	UNIT CASE COMPLETE		1				
C10	213126-1	OIL SEAL 12		1				
C20	211136-2	RODAMIENTO DE BOLAS PARA 6960D		1				
013	216019-1	BOLA DE ACERO PARA 6796FD		2				
014A	142936-8	OIL UNIT COMPLETE		1	*			
014B	142936-8	OIL UNIT COMPLETE		1	*			
014C	142936-8	OIL UNIT COMPLETE		1	*			
014D	142936-8	OIL UNIT COMPLETE		1	*			
014-1A	142936-8	OIL UNIT COMPLETE	<	1	*			
C10	143265-2	BIT PIECE C COMPLETE		1	*			
014-1B	142936-8	OIL UNIT COMPLETE	<	1	*			
C10	143265-2	BIT PIECE C COMPLETE		1	*			
014-1C	142936-8	OIL UNIT COMPLETE	<	1	*			
C10	143265-2	BIT PIECE C COMPLETE		1	*			
014-1D	142936-8	OIL UNIT COMPLETE	<	1	*			
C10	143265-2	BIT PIECE C COMPLETE		1	*			
014-2A	143275-9	OIL UNIT COMPLETE	<	1				
C10	143265-2	BIT PIECE C COMPLETE		1				
014-2B	143275-9	OIL UNIT COMPLETE	<	1				
C10	143265-2	BIT PIECE C COMPLETE		1				
014-2C	143275-9	OIL UNIT COMPLETE	<	1				
C10	143265-2	BIT PIECE C COMPLETE		1				
014-2D	143275-9	OIL UNIT COMPLETE	<	1				
C10	143265-2	BIT PIECE C COMPLETE		1				
014-2E	143275-9	OIL UNIT COMPLETE		1				
C10	143265-2	BIT PIECE C COMPLETE		1				

Artículo	Código	Descripción	Interc	Cantidad	N/O	Opción 1	Opción 2	Notas
015	211294-4	RODAMIENTO 6806LLU HR2300		1				
016	142929-5	CARRIER COMPLETE		1				
017	227368-1	SPUR GEAR 22		3				
018	267067-3	ARANDELA PLANA 12*		1				
019	227361-5	INTERNAL GEAR 51		1				
020	266786-8	TORNILLO TAPA BTD129		4				
021	620354-5	CONTROLLER		1				
022	687464-1	SOPORTE CONECTOR BHP459		1				
023	629137-0	STATOR		1				
024	619358-2	ROTOR		1				
026	643860-3	TERMINAL BTP141		1				
027	620355-3	LED CIRCUIT		1				
028	187989-0	HOUSING SET		1				
C10	263005-3	FIJADOR 6*		2				
C20	252126-6	HEX. LOCKING NUT M4-7		2				
D10		INC. 1						
029A	141583-2	TAPA INTERRUPTOR BTD136		1	*			
029B	141583-2	TAPA INTERRUPTOR BTD136		1	*			
029C	141583-2	TAPA INTERRUPTOR BTD136		1	*			
029D	141583-2	TAPA INTERRUPTOR BTD136		1	*			
029-1A	141583-2	TAPA INTERRUPTOR BTD136	<	1				
029-1B	141583-2	TAPA INTERRUPTOR BTD136	<	1				
029-1C	141583-2	TAPA INTERRUPTOR BTD136	<	1				
029-1D	141583-2	TAPA INTERRUPTOR BTD136	<	1				
029-1E	141583-2	TAPA INTERRUPTOR BTD136		1				
A01	266622-8	+ TRUSS HEAD SCREW M4X12		1				
A02	346317-0	GANCHO BTD134		1				
A03B	821550-0	MALETIN MAKPAC TIPO 2		1				
C10	453974-8	LATCH		4				
A03C	821550-0	MALETIN MAKPAC TIPO 2		1				
C10	453974-8	LATCH		4				
A03D	821550-0	MALETIN MAKPAC TIPO 2		1				
C10	453974-8	LATCH		4				
A03E	821550-0	MALETIN MAKPAC TIPO 2		1				
C10	453974-8	LATCH		4				
A04B	837670-0	INNER TRAY		1				
A04C	837670-0	INNER TRAY		1				
A04D	837670-0	INNER TRAY		1				
A04E	837670-0	INNER TRAY		1				
A05B	805G10-2	DTS141ZJ INDICATION LABEL		1				
A05C	805G12-8	DTS141RFJ INDICATION LABEL		1				
A05D	805G14-4	DTS141RMJ INDICATION LABEL		1				
A05E	809D67-7	DTS141RTJ INDICATION LABEL		1				
A06B	805G11-0	DTS141ZJ PLASTIC CASE LABEL		2				
A06C	805G13-6	DTS141RFJ PLASTIC CASE LABEL		2				
A06D	805G15-2	DTS141RMJ PLASTIC CASE LABEL		2				
A06E	809D68-5	DTS141RTJ PLASTIC CASE LABEL		2				
A07C	***DC18RC	DC18RC FAST CHARGER		1				

