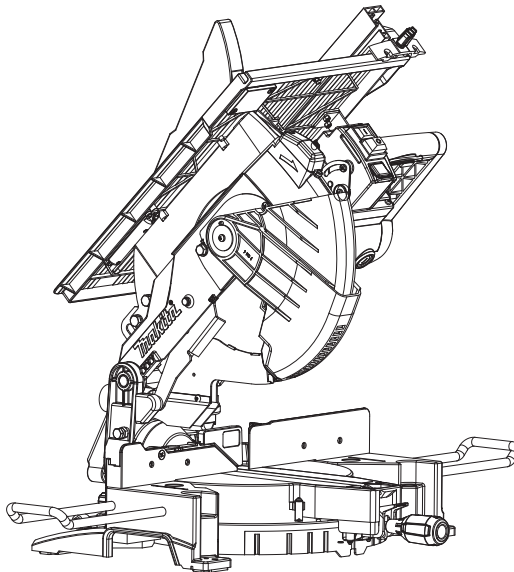
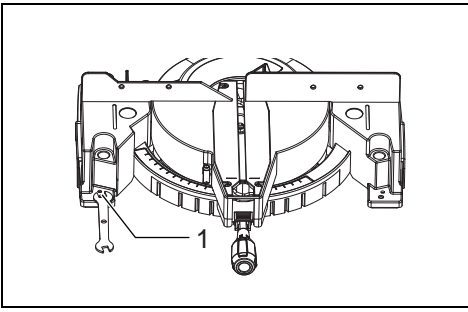




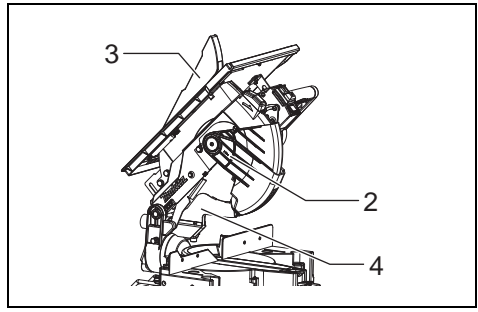
GB	Table Top Miter Saw	Instruction Manual
F	Scie à Onglets à Table Supérieure	Manuel d'instructions
D	Universal-Kapp- und Gehrungssäge	Betriebsanleitung
I	Sega da banco con pianetto	Istruzioni per l'uso
NL	Tafel-, afkort- en verstekzaag	Gebruiksaanwijzing
E	Sierra de Inglete con Banco	Manual de instrucciones
P	Serra de Esquadria e Bancada	Manual de instruções
DK	Bord-geringsav	Brugsanvisning
GR	Επιτραπέζιο λοξό πριόνι	Οδηγίες χρήσεως

LH1201FL

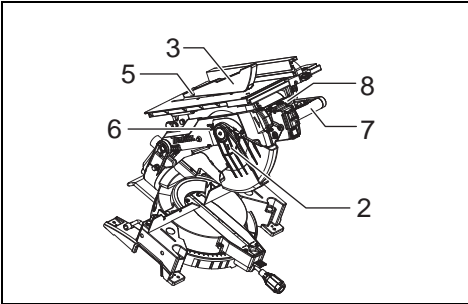




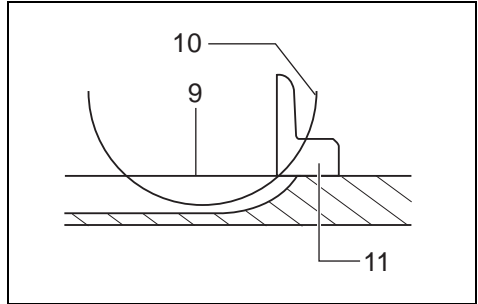
1 012175



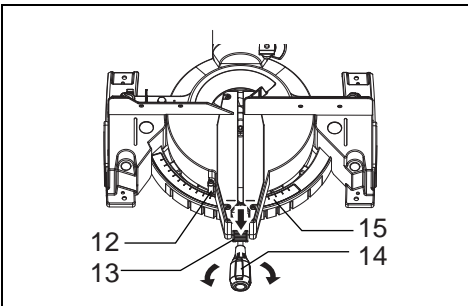
2 012176



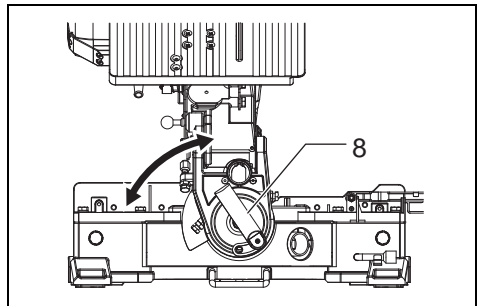
3 012177



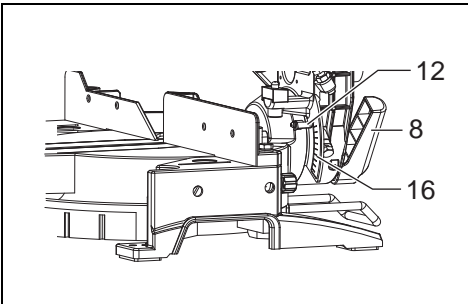
4 012178



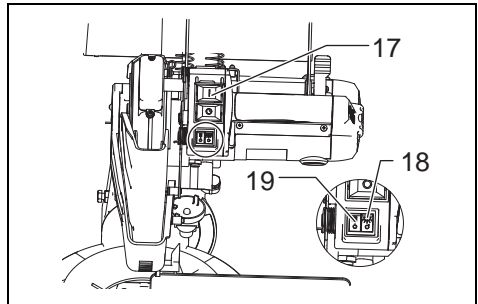
5 012179



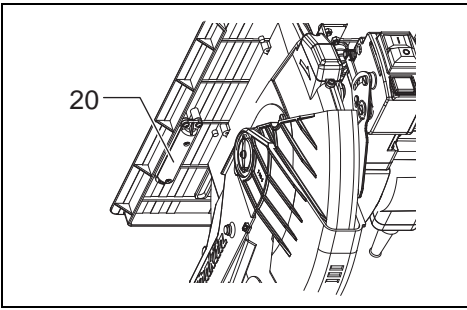
6 015123



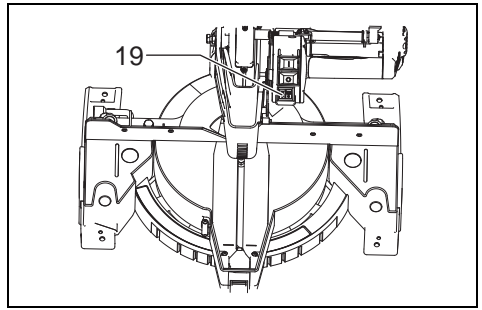
7 012181



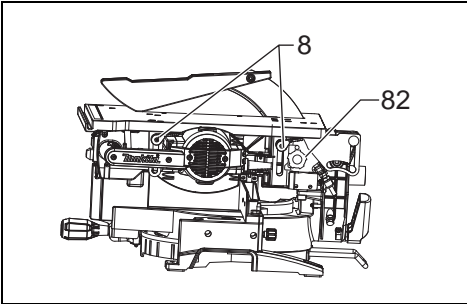
8 012182



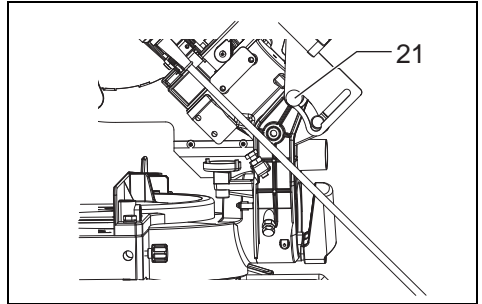
9 012183



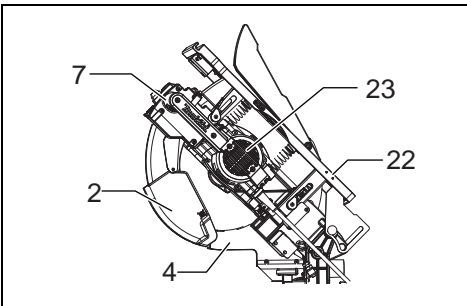
10 012184



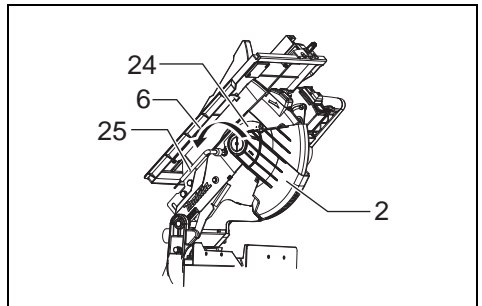
11 015680



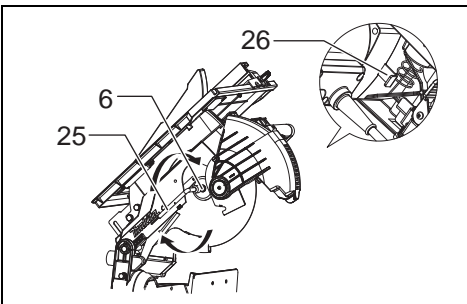
12 012188



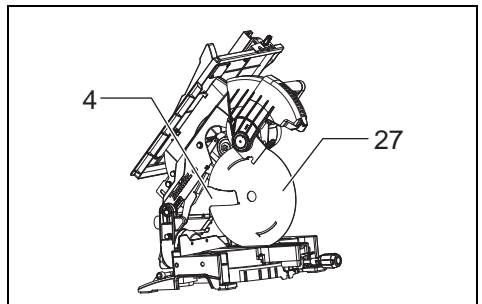
13 012189



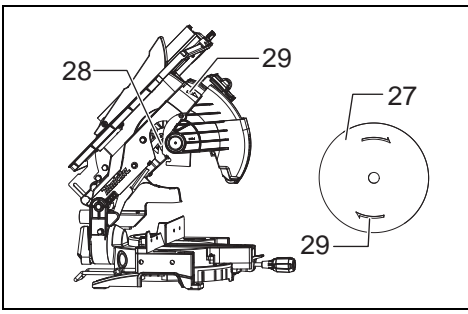
14 012190



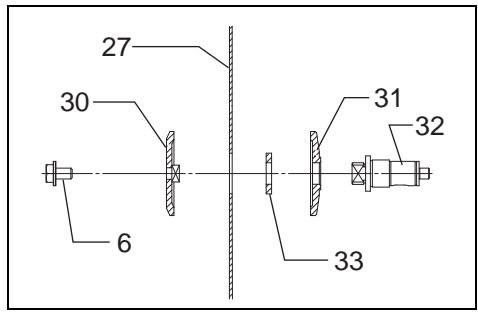
15 012191



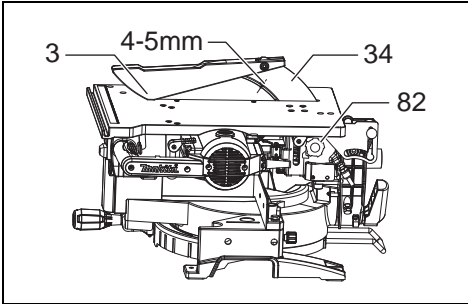
16 012192



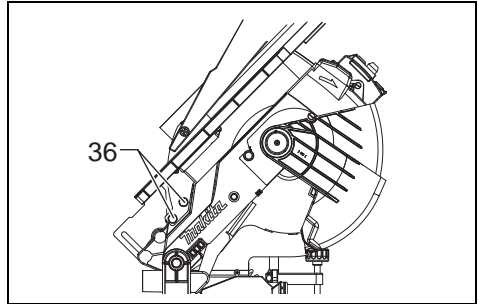
17 012193



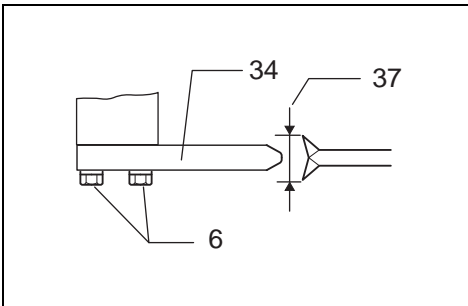
18 012194



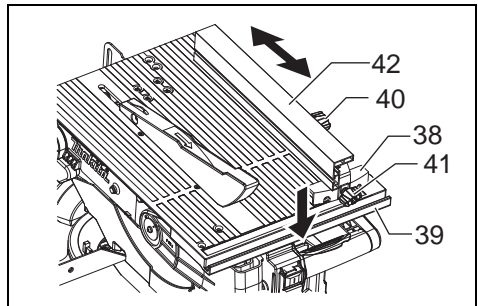
19 015681



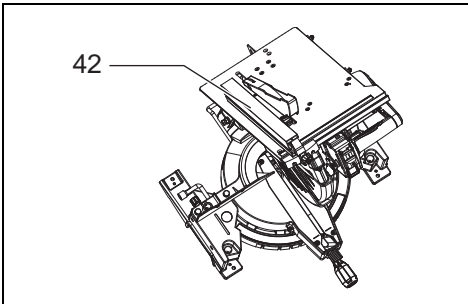
20 012196



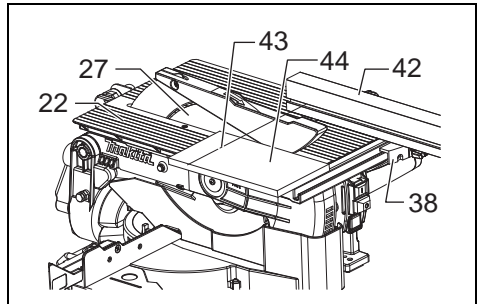
21 012197



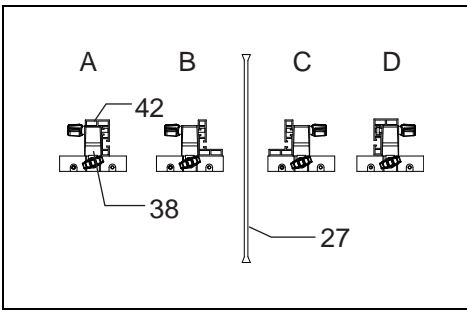
22 015124



23 012199

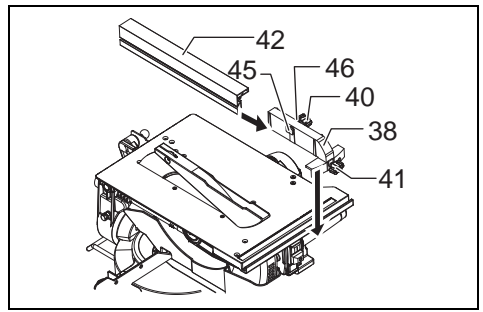


24 015125



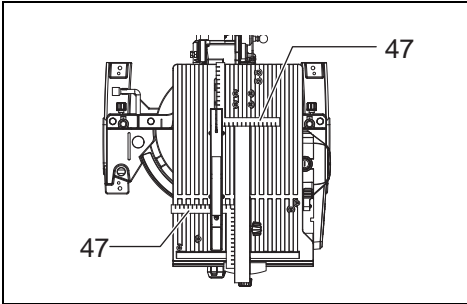
25

012201



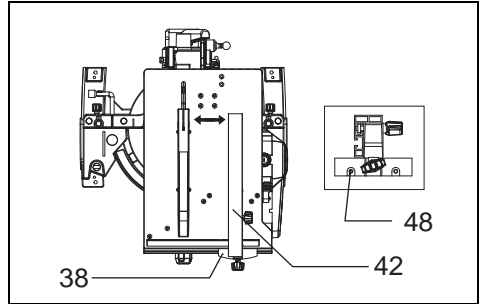
26

012202



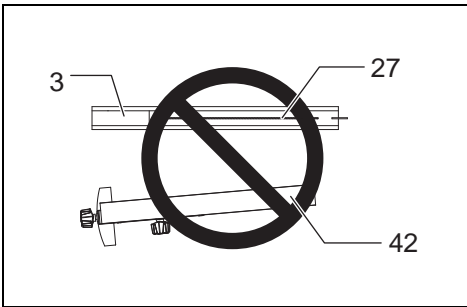
27

012203



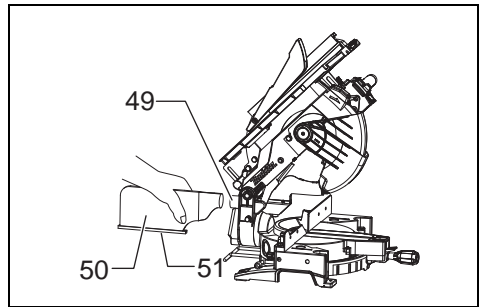
28

012204



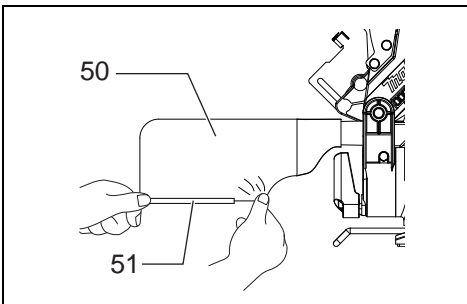
29

012205



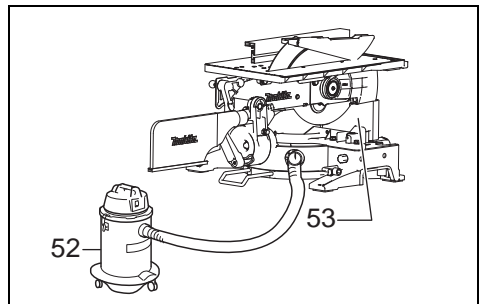
30

012206



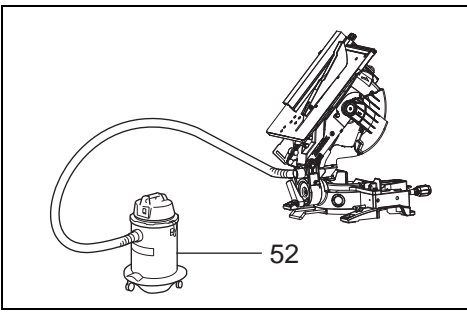
31

012207

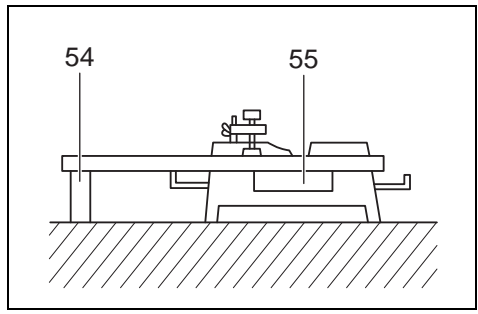


32

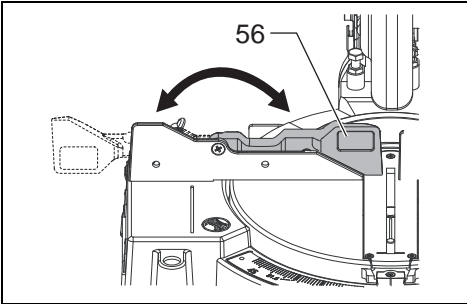
012208



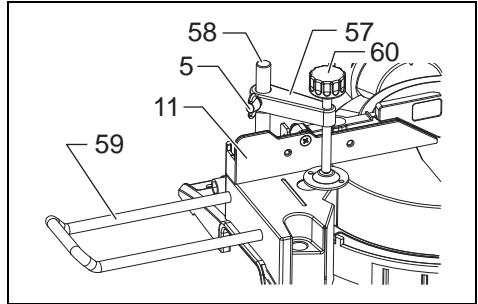
33 012209



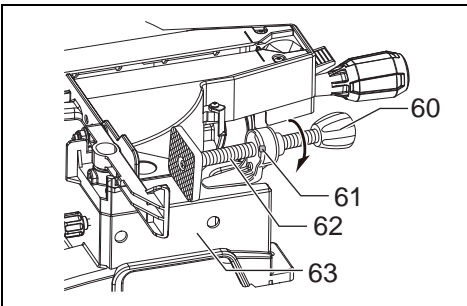
34 001549



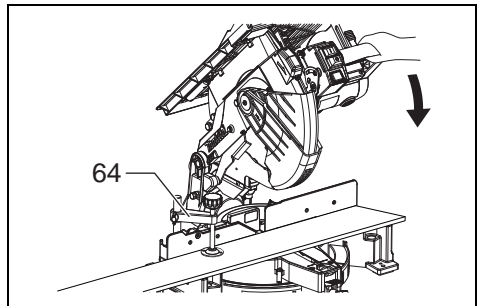
35 015064



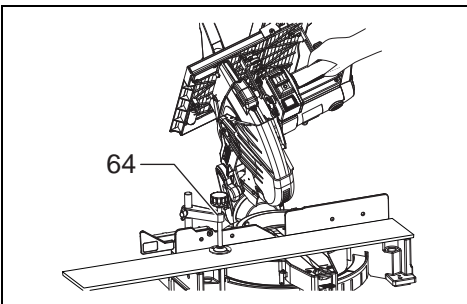
36 015126



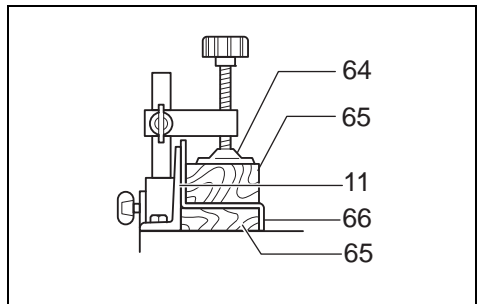
37 015127



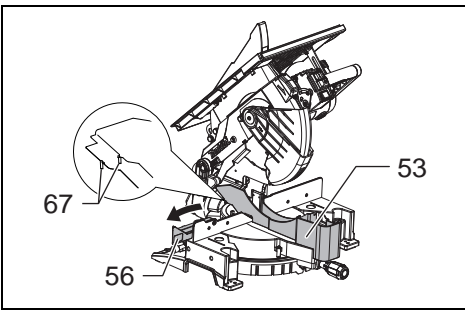
38 015128



39 015129

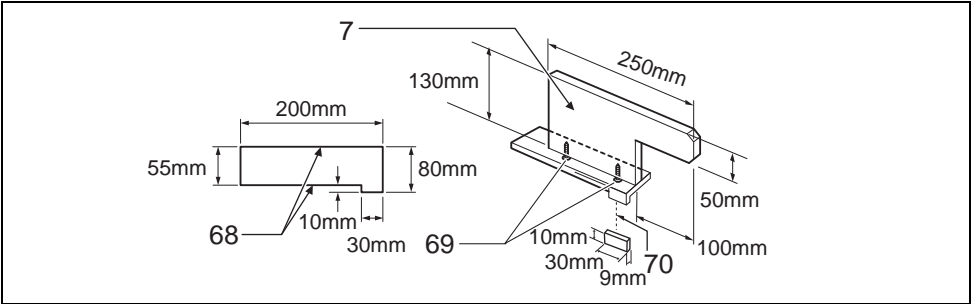


40 001844



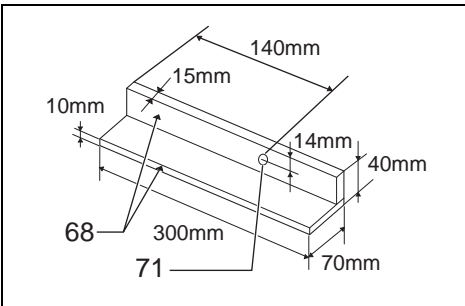
41

015130



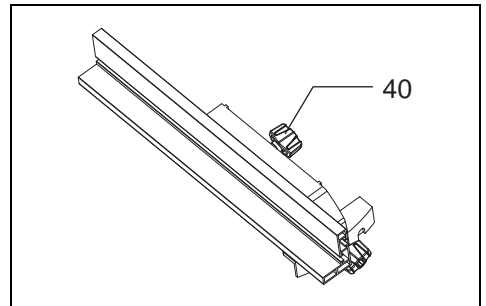
42

005566



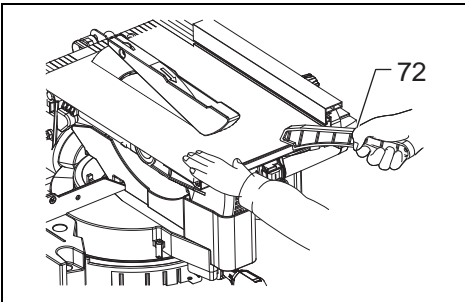
43

005565



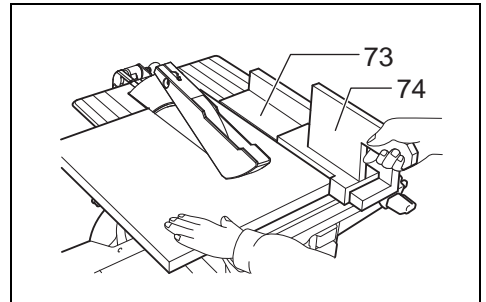
44

012214



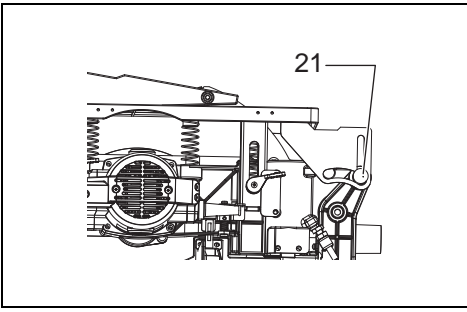
45

015131



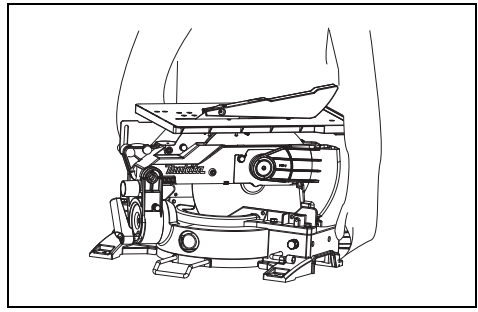
46

012216



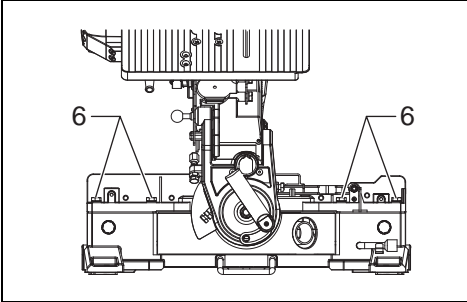
47

012217



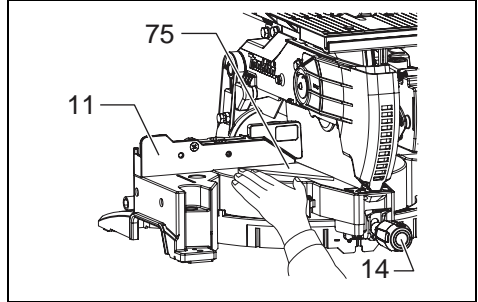
48

012218



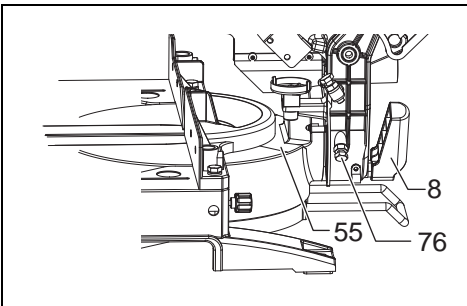
49

015132



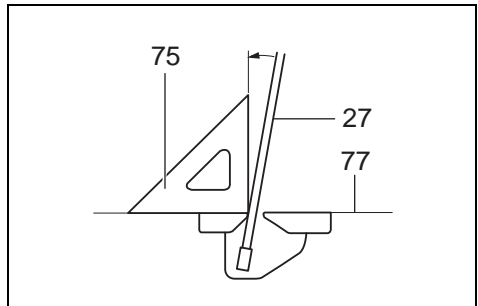
50

015133



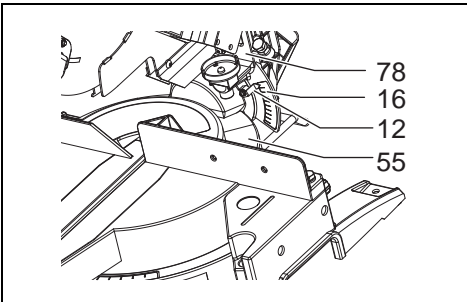
51

012221



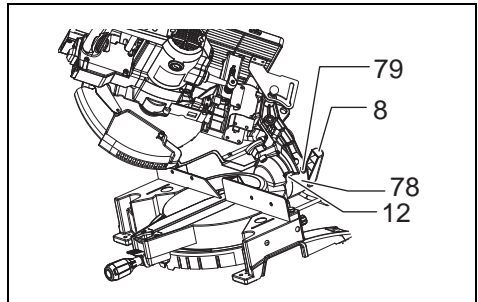
52

010798



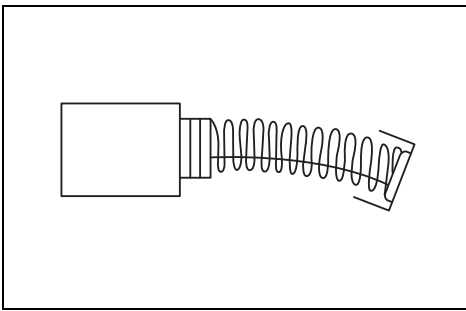
53

012222

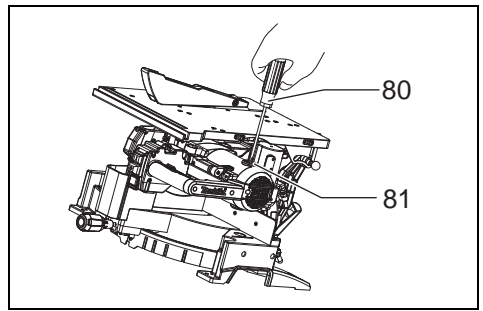


54

012223

**55**

007834

**56**

012227

END292-5

Symbols

The following show the symbols used for the equipment. Be sure that you understand their meaning before use.

Symboles

Nous donnons ci-dessous les symboles utilisés pour l'outil. Assurez-vous que vous en avez bien compris la signification avant d'utiliser l'outil.

Symbolo

Die folgenden Symbole werden für die Maschine verwendet. Machen Sie sich vor der Benutzung unbedingt mit ihrer Bedeutung vertraut.

Simboli

Per questo utensile vengono usati i simboli seguenti. Bisogna capire il loro significato prima di usare l'utensile.

Symbolen

Voor dit gereedschap worden de volgende symbolen gebruikt. Zorg ervoor dat u de betekenis van deze symbolen begrijpt alvorens het gereedschap te gebruiken.

Símbolos

A continuación se muestran los símbolos utilizados con esta herramienta. Asegúrese de que entienda su significado antes de usarla.

Símbolos

O seguinte mostra os símbolos utilizados para a ferramenta. Certifique-se de que compreende o seu significado antes da utilização.

Symboler

Nedenstående symboler er anvendt i forbindelse med denne maskine. Vær sikker på, at De har forstået symbolernes betydning, før maskinen anvendes.

Σύμβολα

Τα ακόλουθα δείχνουν τα σύμβολα που χρησιμοποιούνται για το μηχάνημα. Βεβαιωθείτε ότι καταλαβαίνετε τη σημασία τους πριν από τη χρήση.



- Read instruction manual.
- Lire le mode d'emploi.
- Bitte Bedienungsanleitung lesen.
- Leggete il manuale di istruzioni.
- Lees de gebruiksaanwijzing.

- Lea el manual de instrucciones.
- Leia o manual de instruções.
- Læs brugsanvisningen.
- Διαβάστε τις οδηγίες χρήσης.



- DOUBLE INSULATION
- DOUBLE ISOLATION
- DOPPELT SCHUTZISOLIERT
- DOPPIO ISOLAMENTO
- DUBBELE ISOLATIE

- DOBLE AISLAMIENTO
- DUPLO ISOLAMENTO
- DOBBELT ISOLERET
- ΔΙΠΛΗ ΜΟΝΩΣΗ



- To avoid injury from flying debris, keep holding the saw head down, after making cuts, until the blade has come to a complete stop.
- Pour éviter les blessures causées par les objets projetés, maintenez la tête de la scie en position basse une fois la coupe terminée, jusqu'à ce que la lame soit complètement arrêtée.
- Um Verletzungen durch herausgeschleuderte Teile zu vermeiden, halten Sie den Sägekopf nach Ausführung von Schnitten abgesenkt, bis das Sägeblatt völlig zum Stillstand gekommen ist.
- Per evitare lesioni dalle schegge volanti, dopo aver eseguito il taglio tenere abbassata la testa sega finché la lama non si è arrestata completamente.
- Om verwonding door weggeslingerd zaagafval te voorkomen, dient u na het voltooiën van een snede de zaagkop omlaag te houden totdat het zaagblad volledig tot stilstand is gekomen.
- Para evitar sufrir heridas a causa de restos que salen despedidos, siga sujetando la cabeza de la sierra hacia abajo, al terminar los cortes, hasta que el disco se haya parado completamente.
- Para evitar danos causados por aparas que saltem, mantenha a cabeça da serra para baixo, depois de terminar os cortes, até que a lâmina esteja completamente parada.
- For at undgå at komme til skade på grund af flyvende affald, skal man holde savhovedet nede efter skæring, indtil savklingen står helt stille.
- Για να αποφύγετε τραυματισμό από ιπτάμενα τεμαχίδια, κρατάτε το πριόνι με το κεφάλι προς τα κάτω, αφού κάνετε κοπές, μέχρι η λάμα να σταματήσει τελείως.



- When using the tool in the miter saw mode, secure the top table at the topmost position so that the saw blade never protrudes from the top surface of the top table.
- Pour utiliser l'outil en mode de scie à coupe d'onglet, fixez la table supérieure à la position la plus élevée, de sorte que la lame ne dépasse jamais la surface supérieure de la table supérieure.
- Wenn Sie die Maschine im Gehrungssägenmodus verwenden, sichern Sie den oberen Tisch in der Höchststellung, damit das Sägeblatt nicht über die Oberfläche des oberen Tisches hinausragt.
- Quando si usa l'utensile nella modalità di sega a unghia, fissare il piano superiore sulla posizione più alta in modo che la lama non sporga mai dalla superficie superiore del piano superiore.
- Voor gebruik van het gereedschap als verstekzaag dient u de boventafel in de hoogste stand vast te zetten, zodat het zaagblad nooit uitsteekt voorbij de bovenkant van de boventafel.
- Cuando utilice la herramienta en el modo de sierra de inglete, sujete la mesa superior en la posición máxima superior sin que el disco sobresalga nunca por la parte superior de la mesa superior.
- Quando utiliza a ferramenta no modo de serra de esquadria, prenda a mesa superior na posição mais elevada de modo a que a lâmina nunca fique saliente da superfície superior da mesa superior.
- Når maskinen anvendes i geringsav-indstilling, skal det øverste bord sikres i den øverste stilling, således at savklingen ikke på noget tidspunkt stikker frem fra overfladen på det øverste bord.
- Όταν χρησιμοποιείτε το εργαλείο σε θέση λειτουργίας λοξού πριονιού, ασφαλίστε το άνω τραπέζι στην ανώτερη θέση ώστε η λάμα πριονιού να μην προεξέχει ποτέ από την άνω επιφάνεια του άνω τραπεζιού.



- Do not place hand or fingers close to the blade.
- Ne pas placer les mains ou les doigts près de la lame.
- Halten Sie Hände oder Finger vom Sägeblatt fern.
- Non avvicinare le mani o le dita alla lama.
- Kom met uw handen of vingers niet te dicht bij het zaagblad.
- No ponga la mano ni los dedos cerca del disco.
- Não coloque a sua mão ou dedos perto da lâmina.
- Hold hænder og fingre på god afstand af klingens.
- Μη βάζετε το χέρι ή τα δάκτυλα κοντά στην λάμα.



- For your safety, remove the chips, small pieces, etc. from the table top before operation.
- Pour votre sécurité, retirez les copeaux et autres petites pièces présentes sur la table avant de commencer le travail.
- Zur Sicherheit sollte die Tischplatte vor dem Betrieb von Spänen, Kleinteilen usw. gesäubert werden.
- Per la propria sicurezza, togliere i trucioli, frammenti, ecc., dalla superficie superiore del piano di taglio prima di procedere.
- Verwijder voor uw eigen veiligheid zaagafval, stukjes hout e.d. van de werktafel alvorens te gaan zagen.
- Por su propia seguridad, retire las virutas, trozos pequeños, etc., de encima de la mesa de trabajo antes de iniciar la tarea.
- Para sua segurança, retire aparas, peças pequenas, etc., de cima da bancada antes da operação.
- Af sikkerhedsårsager skal spåner, små stykker etc. fjernes fra bordtoppen inden anvendelsen.

- Για την ασφάλειά σας, αφαιρέστε τα αποκοπιδία, μικρά κομμάτια, κλπ. από το τραπέζι πριν από την λειτουργία.



- Always set SUB-FENCE to left position when performing left bevel cuts. Failure to do so may cause serious injury to operator.
- Placez toujours le GUIDE INFÉRIEUR en position gauche pour les coupes en biseau à gauche. Le non-respect de cette consigne peut entraîner des blessures graves pour l'opérateur.
- Stellen Sie den ZUSATZANSCHLAG bei der Durchführung von linksseitigen Neigungsschnitten immer auf die linke Position. Anderenfalls kann es zu schweren Verletzungen der Bedienungs-person kommen.
- Mettere sempre la GUIDA PEZZO SECONDARIA sulla posizione a sinistra per eseguire i tagli inclinati a sinistra. In caso contrario, c'è pericolo di un serio incidente per l'operatore.
- Klap voor het links schuin zagen altijd het HULPBESCHERMBLAD om naar de linker stand. Als u dit nalaat, kan dat ernstig gevaar voor de gebruiker van de zaag opleveren.
- Ponga siempre la GUÍA SECUNDARIA en la posición izquierda cuando realice cortes en bisel izquierdo. De lo contrario, podrá sufrir graves heridas.
- Coloque sempre a SUB-GUIA para a esquerda quando realizar cortes de esquadria bisel a esquerda. Se não o fizer, o operador pode sofrer ferimentos graves.
- Sæt altid UNDERANSLAGET til den venstre stilling, når der udføres venstre skråsnit. Forsøm-melse af dette kan bevirke, at operatøren kommer alvorligt til skade.
- Να ρυθμίζετε πάντα το ΒΟΗΘΗΤΙΚΟ ΦΡΑΚΤΗ στην αριστερή θέση όταν πραγματοποιείτε αριστερές κωνικές τομές. Αν δεν το κάνετε αυτό, μπορεί να προκληθεί σοβαρός τραυματισμός στο χειριστή.



- Never look into the laser beam. Direct laser beam may injure your eyes.
- Ne jamais regarder directement la source du faisceau laser. L'exposition directe au faisceau laser comporte un risque de blessure aux yeux.
- Blicken Sie auf keinen Fall in den Laserstrahl. Der direkte Laserstrahl kann Ihre Augen verletzen.
- Mai guardare direttamente il raggio laser. Il raggio laser può danneggiare gli occhi.
- Kijk nooit in de laserstraal. Een directe laserstraal kan oogletsel veroorzaken.
- No mire nunca directamente al rayo láser. El rayo láser directo puede dañar sus ojos.
- Nunca olhe para o raio laser. Se olhar directamente para o raio laser pode ferir os seus olhos.
- Se aldrig ind i laserstrålen. Direkte udsættelse for laserstråling kan skade dit syn.
- Ποτέ μη κοιτάτε απευθείας την ακτίνα λέιζερ. Η απευθείας ακτίνα λέιζερ μπορεί να προκαλέσει τραυματισμό στα μάτια σας.



- Only for EU countries
Do not dispose of electric equipment together with household waste material!
In observance of the European Directive, on Waste Electric and Electronic Equipment and its implementation in accordance with national law, electric equipment that have reached the end of their life must be collected separately and returned to an environmentally compatible recycling facility.
- Pour les pays européens uniquement
Ne pas jeter les équipements électriques dans les ordures ménagères!
Conformément à la directive européenne, relative aux déchets d'équipements électriques ou électroniques (DEEE), et à sa transposition dans la législation nationale, les équipements électriques doivent être collectés à part et être soumis à un recyclage respectueux de l'environnement.
- Nur für EU-Länder
Werfen Sie Elektrogeräte nicht in den Hausmüll!
Gemäß Europäischer Richtlinie über Elektro- und Elektronik-Altgeräte und Umsetzung in nationales Recht müssen verbrauchte Elektrogeräte getrennt gesammelt und einer umweltgerechten Wiederverwertung zugeführt werden.
- Solo per Paesi UE
Non gettare le apparecchiature elettriche tra i rifiuti domestici!
Secondo la Direttiva Europea, sui rifiuti di apparecchiature elettriche ed elettroniche e la sua attuazione in conformità alle norme nazionali, le apparecchiature elettriche esauste devono essere raccolte separatamente, al fine di essere riciclate in modo eco-compatibile.
- Alleen voor EU-landen
Geef elektrische apparaten niet met het huisvuil mee!
Volgens de Europese richtlijn, inzake oude elektrische en elektronische apparaten en de toepassing daarvan binnen de nationale wetgeving, dient gebruikt elektrische apparaten gescheiden te worden ingezameld en te worden afgevoerd naar een recycle bedrijf dat voldoet aan de geldende milieu-eisen.

- Sólo para países de la Unión Europea
¡No deseche los aparatos eléctricos junto con los residuos domésticos!
De conformidad con la Directiva Europea, sobre residuos de aparatos eléctricos y electrónicos y su aplicación de acuerdo con la legislación nacional, los aparatos eléctricos cuya vida útil haya llegado a su fin se deberán recoger por separado y trasladar a una planta de reciclaje que cumpla con las exigencias ecológicas.
- Apenas para países da UE
Não deite ferramentas eléctricas no lixo doméstico!
De acordo com a directiva europeia sobre ferramentas eléctricas e electrónicas usadas e a sua aplicação para as leis nacionais, as ferramentas eléctricas usadas devem ser recolhidas em separado e encaminhadas a uma instalação de reciclagem dos materiais ecológicos.
- Kun for EU-lande
Eleværktøj må ikke bortskaffes som almindeligt affald!
I henhold til det europæiske direktiv om bortskaffelse af elektriske og elektroniske produkter og gældende national lovgivning skal brugt eleværktøj indsamles separat og returneres til miljøgodkendt genindvinding.
- Μόνο για τις χώρες της ΕΕ
Μη πετάτε τα είδη ηλεκτρικού εξοπλισμού μαζί με τα οικιακά απορρίμματα.
Σε τήρηση της Ευρωπαϊκής Οδηγίας, περί απορριμμάτων ειδών ηλεκτρικού και ηλεκτρονικού εξοπλισμού και την εφαρμογή της σύμφωνα με την εθνική νομοθεσία, τα είδη ηλεκτρικού εξοπλισμού που έχουν φθάσει στο τέλος της ζωής τους πρέπει να συλλέγονται ξεχωριστά και να επιστρέφονται σε μία περιβαλλοντικά συμβατή εγκατάσταση ανακύκλωσης.

Explanation of general view

1 Bolt	29 Arrow	57 Vise arm
2 Lower blade guard A	30 Outer flange	58 Vise rod
3 Top blade guard	31 Inner flange	59 Holder
4 Lower blade guard B	32 Spindle	60 Vise knob
5 Screw	33 Ring	61 Projection
6 Hex bolt	34 Riving knife	62 Vise shaft
7 Handle	35 Area to press in	63 Base
8 Lever	36 Hex bolts	64 Vise
9 Top surface of turn base	37 Blade width	65 Spacer block
10 Periphery of blade	38 Rip fence holder	66 Aluminum extrusion
11 Guide fence	39 Guide rail on the top table	67 Small boss
12 Pointer	40 Clamping screw (A)	68 Face/edge parallel
13 Lock lever	41 Clamping screw (B)	69 Wood screw
14 Grip	42 Rip fence	70 Glue together
15 Miter scale	43 Line to be aligned with	71 Hole (7 mm in diameter)
16 Bevel scale	44 Workpiece	72 Push stick
17 Power switch	45 Square nut	73 Auxiliary fence
18 Lamp switch	46 Washer	74 Push block
19 Laser switch	47 Scale	75 Triangular rule
20 Lamp	48 Adjusting screw	76 0° bevel angle adjusting bolt
21 Stopper pin	49 Dust nozzle	77 Top surface of turn table
22 Top table	50 Dust bag	78 Arm
23 Motor housing	51 Fastener	79 45° bevel angle adjusting bolt
24 Center cover	52 Vacuum cleaner	80 Screwdriver
25 Socket wrench	53 Blade cover	81 Brush holder cap
26 Shaft lock	54 Support	82 Knob
27 Saw blade	55 Turn base	
28 Blade case	56 Sub-fence	

SPECIFICATIONS

Model

LH1201FL

Blade diameter	305 mm
Blade body thickness.....	1.9 mm or less
Hole diameter	
For all countries other than European countries	25.4 mm
For European countries	30 mm
Max. Cutting capacities (H x W) with blade 305 mm in diameter in the miter saw mode	

Bevel angle	Miter angle	
	90°	45° (left to right)
90°	95 mm x 155 mm	95 mm x 110 mm
	62 mm x 200 mm	62 mm x 135 mm
45°	64 mm x 155 mm	64 mm x 65 mm
	40 mm x 200 mm	40 mm x 85 mm

Max. Cutting capacities at 90° in the table saw (bench saw mode)	52 mm
No load speed (min ⁻¹)	3,800
Laser Type.....	Red Laser 650 nm, < 1 mW (Laser Class 2)
Table size (W x L).....	307 mm x 465 mm
Dimensions (L x W x H)	610 mm x 535 mm x 692 mm
Net weight	20.9 kg
Safety class	□/II

- Due to our continuing program of research and development, the specifications herein are subject to change without notice.
- Specifications may differ from country to country.
- Weight according to EPTA-Procedure 01/2003

Intended use

The tool is intended for accurate straight cutting and (only when used as a miter saw on the lower table) miter cutting in wood.

Power supply

The tool should be connected only to a power supply of the same voltage as indicated on the nameplate, and can only be operated on single-phase AC supply. They are double-insulated and can, therefore, also be used from sockets without earth wire.

General Power Tool Safety Warnings

⚠ WARNING Read all safety warnings and all instructions. Failure to follow the warnings and instructions may result in electric shock, fire and/or serious injury.

Save all warnings and instructions for future reference.

**TABLE TOP MITER SAW SAFETY WARNINGS
FOR BOTH MITER SAW MODE AND TABLE SAW
(BENCH SAW) MODE**

1. Check the blade carefully for cracks or deformation before operation. Replace damaged blade immediately.
2. Do not operate saw without guards and riving knife in place, especially after a mode change. Check blade guards for proper closing before each use. Do not operate saw if blade guards do not move freely and close instantly. Never clamp or tie the blade guards into the open position. Any irregular operation of the blade guards should be corrected immediately.
3. Use only saw blades specified by the manufacturer and which conform to EN847-1. The groove width of the cut must be thicker than the riving knife and the blade body must be thinner than the riving knife.
4. Do not use saw blades manufactured from high speed steel.
5. Wear eye protection.
6. Wear hearing protection to reduce the risk of hearing loss.
7. Wear gloves for handling saw blades (saw blades shall be carried in a holder wherever practicable) and rough material.
8. Connect the tool to a dust collecting device when sawing.
9. Always store the push-stick when it is not in use.
10. Keep the floor area around the tool level well maintained and free of loose materials e.g. chips and cut-offs.
11. The operator is adequately trained in the use, adjustment and operation of the tool.
12. Stop and unplug the saw when unattended.
13. To reduce the emitted noise, always be sure that the blade is sharp and clean.
14. Use only saw blades that are marked with a maximum speed equal to or higher than the no load speed marked on the tool.
15. When the tool is fitted with a laser or LED, do not replace the laser or LED with a different type. Ask an authorized service center for repair.
16. Never remove any cut-offs or other parts of the workpiece from the cutting area whilst the tool is running with an unguarded saw blade.
17. The tool should not be used for slotting, rebating or grooving.
18. Before carrying the tool, always cover the upper part of the saw blade by the top guard and secure all moving portions. When lifting or carrying the tool, do not use the guard as a carrying handle.
19. Clean and be careful not to damage the spindle, flanges (especially the installing surface) and hex bolt before or when installing the blade. Damage to these parts could result in blade breakage. Poor installation may cause vibration/ wobbling or slippage of the blade. Use only flanges specified for this tool.
20. Always use accessories recommended in this manual. Use of improper accessories such as abrasive cut-off wheels may cause an injury.
21. Select the correct saw blade for the material to be cut.
22. Do not cut metal objects such as nails and screws. Inspect for and remove all nails, screws and other foreign material from the workpiece before operation.
23. Knock out any loose knots from workpiece BEFORE beginning to cut.
24. Do not use the tool in the presence of flammable liquids or gases.
25. For your safety, remove the chips, small pieces, etc. from the work area and table top before plugging the tool and starting operation.
26. Keep hands and make your bystander and yourself position out of path of and not in line with saw blade. Avoid contact with any coasting blade. It can still cause severe injury and never reach around saw blade.
27. Be alert at all times, especially during repetitive, monotonous operations. Do not be lulled into a false sense of security. Blades are extremely unforgiving.
28. Make sure the shaft lock is released before the switch is turned on.
29. Before using the tool on an actual workpiece, let it run for a while. Watch for vibration or wobbling that could indicate poor installation or a poorly balanced blade.
30. Wait until the blade attains full speed before cutting.
31. Stop operation immediately if you notice anything abnormal.
32. Turn off tool and wait for saw blade to stop before moving workpiece or changing settings.
33. Unplug tool before changing blade, servicing or not in use.

34. Some dust created from operation contains chemicals known to cause cancer, birth defects or other reproductive harm. Some examples of these chemicals are:
- lead from lead-based-painted material and,
 - arsenic and chromium from chemically-treated lumber.
- Your risk from these exposures varies, depending on how often you do this type of work. To reduce your exposure to these chemicals: work in a well ventilated area and work with approved safety equipment, such as those dust masks that are specially designed to filter out microscopic particles.
35. Even when the tool is used as prescribed it is not possible to eliminate all residual risk factors. The following hazards may arise in connection with the tool's construction and design:
- Damage to health resulting from hand-arm vibrations if the power tool is used over a longer period of time and is not operated or serviced correctly.
 - Injury or damage caused by loose tool attachments which can unexpectedly slide out from the power tool due to sudden damage, wear or improper mounting.

WHEN USING IN MITER SAW MODE:

36. Replace the kerf board when worn.
37. Use a push stick or a push block to avoid working with the hands and fingers close to the saw blade.
38. Make sure that the arm is securely fixed when beveling. Tighten the lever clockwise to fix the arm.
39. Do not perform any operation freehand. The workpiece must be secured firmly against the turn base and guide fence with the vise during all operations. Never use your hand to secure the workpiece.
40. Ensure that the tool is stable before each cut.
41. Fix the tool to a work bench, if needed.
42. Support long workpieces with appropriate additional supports.
43. Never cut so small workpiece which cannot be securely held by the vise. Improperly held workpiece may cause kickback and serious personal injury.
44. Do not use the saw to cut other than wood, aluminum or similar materials.
45. Make sure that the turn base is properly secured so it will not move during operation.
46. Make sure the blade does not contact the turn base in the lowest position and is not contacting the workpiece before the switch is turned on.
47. Hold the handle firmly. Be aware that the saw moves up or down slightly during start-up and stopping.

WHEN USING IN THE TABLE SAW (BENCH SAW) MODE:

48. Make sure that the arm is securely fixed in the working position. Tighten the lever clockwise to fix the arm.
49. Make sure that the bench saw table is securely fixed at the chosen height.
50. Do not perform any operation freehand. Freehand means using your hands to support or guide the workpiece, in lieu of a rip fence.

51. Make sure the blade is not contacting the riving knife or workpiece before the switch is turned on.
52. Pay particular attention to instructions for reducing risk of KICKBACK. KICKBACK is a sudden reaction to a pinched, bound or misaligned saw blade. KICKBACK causes the ejection of the workpiece from the tool back towards the operator. KICKBACKS CAN LEAD TO SERIOUS PERSONAL INJURY. Avoid KICKBACKS by keeping the blade sharp, by keeping the rip fence parallel to the blade, by keeping the riving knife and blade guard in place and operating properly, by not releasing the workpiece until you have pushed it all the way past the blade, and by not ripping a workpiece that is twisted or warped or does not have a straight edge to guide along the fence.
53. Avoid abrupt, fast feeding. Feed as slowly as possible when cutting hard workpieces. Do not bend or twist workpiece while feeding. If you stall or jam the blade in the workpiece, turn the tool off immediately. Unplug the tool. Then clear the jam.

SAVE THESE INSTRUCTIONS.

⚠ WARNING:

DO NOT let comfort or familiarity with product (gained from repeated use) replace strict adherence to safety rules for the subject product. MISUSE or failure to follow the safety rules stated in this instruction manual may cause serious personal injury.

INSTALLATION

⚠ CAUTION:

- Keep the floor area around the tool level well maintained and free of loose materials such as chips and cut-offs.

Bench mounting (Fig. 1)

This tool should be bolted with two bolts to a level and stable surface using the bolt holes provided in the tool's base. This will help prevent tipping and possible injury.

FUNCTIONAL DESCRIPTION

⚠ CAUTION:

- Always be sure that the tool is switched off and unplugged before adjusting or checking function on the tool.

Blade guard (Fig. 2 & 3)

⚠ CAUTION:

- Make sure that the handle cannot be lowered without pushing the lever nearby the handle to the left.
- Make sure that the lower blade guards A and B do not open unless the lever near the handle is pushed at the topmost position of the handle.

When lowering the handle while pushing the lever to the left, the lower blade guard A rises automatically. The lower blade guards are spring loaded so it returns to its original position when the cut is completed and the handle is raised. The top blade guard falls flat on the top surface after workpiece has passed under it. NEVER DEFEAT OR REMOVE THE LOWER BLADE GUARDS, THE SPRING WHICH ATTACHES TO THE LOWER BLADE GUARD, OR THE TOP BLADE GUARD.

In the interest of your personal safety, always maintain each blade guard in good condition. Any irregular operation of the guards should be corrected immediately. Check to assure spring loaded return action of the lower blade guards. NEVER USE THE TOOL IF THE LOWER BLADE GUARD, SPRING OR THE TOP BLADE GUARD ARE DAMAGED, FAULTY OR REMOVED. DOING SO IS HIGHLY DANGEROUS AND CAN CAUSE SERIOUS PERSONAL INJURY.

If any of these see-through blade guards becomes dirty, or sawdust adheres to it in such a way that the blade is no longer easily visible, unplug the saw and clean the guards carefully with a damp cloth. Do not use solvents or any petroleum-based cleaners on the plastic guard.

If the lower blade guard A is especially dirty and vision through the guard is impaired, proceed as follows. Fix the top table at the fully elevated position, raise the handle fully, push in fully the stopper pin with the handle fully raised, and use the supplied socket wrench to loosen the hex bolt holding the center cover. Loosen the hex bolt by turning it counterclockwise and raise the lower blade guard A and center cover while pushing the lever to the left. With the lower blade guard A so positioned, cleaning can be more completely and efficiently accomplished. When cleaning is complete, reverse procedure above and secure bolt.

In the same case for the top blade guard as above stated, loosen the screw holding it with a screwdriver and remove the top blade guard. After cleaning, always reinstall it securely by tightening the screw to the extent that the top blade guard moves smoothly up or down.

If any of these blade guards becomes discolored through age or UV light exposure, contact a Makita service center for a new guard. DO NOT DEFEAT OR REMOVE GUARDS.

Maintaining maximum cutting capacity (Fig. 4)

This tool is factory adjusted to provide the maximum cutting capacity for a 305 mm saw blade.

⚠ CAUTION:

- After installing a new blade, always be sure that the blade does not contact any part of the lower base when the handle is lowered completely. Always do this with the tool unplugged.

Adjusting the miter angle (Fig. 5)

Loosen the grip by turning counterclockwise. Turn the turn base while pressing down the lock lever. When you have moved the grip to the position where the pointer points to the desired angle on the miter scale, securely tighten the grip clockwise.

⚠ CAUTION:

- When turning the turn base, be sure to raise the handle fully.
- After changing the miter angle, always secure the turn base by tightening the grip firmly.

Adjusting the bevel angle (Fig. 6 & 7)

To adjust the bevel angle, loosen the lever at the rear of the tool counterclockwise.

Push the handle to the left to tilt the saw blade until the pointer points to the desired angle on the bevel scale. Then tighten the lever clockwise firmly to secure the arm.

⚠ CAUTION:

- When tilting the saw blade, be sure to raise the handle fully.

- After changing the bevel angle, always secure the arm by tightening the lever clockwise.

Switch action (Fig. 8)

⚠ CAUTION:

- Before operation, make sure that the tool is turned on and off.

To start the tool, press the ON (I) button. To stop it, press the OFF (O) button.

Lighting up the lamps (Fig. 9)

Push the upper position of the switch for turning on the light and the lower position for off.

⚠ CAUTION:

- Do not look in the light or see the source of light directly.

NOTE:

- Use a dry cloth to wipe the dirt off the lens of lamp. Be careful not to scratch the lens of light, or it may lower the illumination.

Laser beam action (Fig. 10)

⚠ CAUTION:

- LASER RADIATION
Do not stare into beam.

To turn on the laser beam, press the upper position (I) of the switch. To turn off the laser beam, press the lower position (O) of the switch.

Adjusting the up and down of top table (Fig. 11)

To adjust the up and down of top table, loosen two levers by turning counterclockwise and then turn the knob. To raise the top table, turn the knob clockwise. To lower the top table, turn the knob counterclockwise. Tighten these levers firmly after the adjustment.

⚠ WARNING:

- Position the top table at the topmost position when using the tool in the miter saw mode and at the desired position when using in the table saw mode (bench mode).

ASSEMBLY

⚠ CAUTION:

- Always be sure that the tool is switched off and unplugged before carrying out any work on the tool.

Installing or removing saw blade

⚠ CAUTION:

- Always be sure that the tool is switched off and unplugged before installing or removing the blade.
- Use only the Makita socket wrench provided to install or remove the blade. Failure to do so may result in overtightening or insufficient tightening of the hex bolt. This could cause an injury.

Secure the top table at the topmost position.

Lock the handle in the raised position by pushing in the stopper pin. (Fig. 12)

Then use the socket wrench to loosen the hex bolt holding the center cover by turning it counterclockwise. Raise the lower blade guard A and center cover while pushing the lever nearby the handle to the left. (Fig. 13 & 14)

Press the shaft lock to lock the spindle, use the socket wrench to loosen the hex bolt clockwise. Then remove the hex bolt, outer flange and blade. (Fig. 15)

To install the blade, mount it carefully onto the spindle, making sure that the direction of the arrow on the surface of the blade matches the direction of the arrow on the blade case. Install the outer flange and hex bolt, and then use the socket wrench to tighten the hex bolt (left-handed) securely counterclockwise while pressing the shaft lock. (Fig. 16 & 17)

CAUTION:

- The ring 25.4 mm or 30 mm in outer diameter is factory-installed onto the spindle. Before mounting the blade onto the spindle, always be sure that the correct ring for the arbor hole of the blade you intend to use is installed onto the spindle. (Fig. 18)

Return the lower blade guard A and center cover to its original position. Then tighten the hex bolt clockwise to secure the center cover. Raise the lower blade guard B as far as it will go and tighten the clamping screw firmly while holding it in the raised position. Lower the handle to make sure that the lower blade guards move properly. Make sure shaft lock has released spindle before making cut.

Adjusting riving knife

Before adjusting the riving knife, loosen the two levers by turning counterclockwise and move the top table to its lowered position by turning the knob counterclockwise. Then secure the top table by firmly re-tightening the two levers as shown in the figure. (Fig. 19)

There must be a clearance of about 4 – 5 mm between the riving knife and the blade teeth. Adjust the riving knife accordingly by loosening two hex bolts counterclockwise with the hex socket wrench and measuring the distance. Tighten the hex bolts securely, and then check to see that the top blade guard works smoothly before cutting. (Fig. 20)

The riving knife has been installed before shipment from the factory so that the blade and riving knife are in a straight line. (Fig. 21)

CAUTION:

- If the blade and riving knife are not aligned properly, a dangerous pinching condition may result during operation. Make sure the riving knife is positioned between both outer ends of the blade teeth when viewing from the top. You could suffer serious personal injury while using the tool without a properly aligned riving knife. If they are not aligned for any reasons, always have Makita authorized service center repair it.
- Don't remove the riving knife.

Installing and adjusting rip fence

1. Install the rip fence on the table so that the rip fence holder engages with the guide rail. Tighten the clamping screw (B) of the rip fence firmly clockwise.
2. Loosen the clamping screw (A).
3. Slide the rip fence and secure it so that the far end from you of the rip fence is aligned with the point at which the front edge of saw blade just appears from top surface of the workpiece. The purpose of this adjustment is to reduce risk of kick-back toward operator that cut piece from the workpiece is pinched between the saw blade and rip fence and finally pushed out toward operator. The line 3 varies by thickness of workpiece or the table level. Adjust the position of the rip fence according to the thickness of the workpiece.

After adjusting the rip fence, tighten the clamping screw (A) firmly. (Fig. 22 & 23)

NOTE:

- The rip fence must be mounted the left side of the saw blade when in the miter saw mode. (Fig. 24)

NOTE:

- There are four patterns to position the rip fence as shown in the figure. (Fig. 25) Rip fence has two slits on its sides, one slit with an elevated fringe nearby on the same side and the other without it. Use the surface of rip fence with this fringe facing the workpiece only when cutting off into a piece of a thin workpiece.

NOTE:

- To change the rip fence pattern, remove the rip fence from the rip fence holder by loosening the clamping screw (A) and change the facing of the rip fence to the rip fence holder so that the rip fence faces the rip fence holder according to your work as shown in the figure. Insert the square nut on the rip fence holder into the back end of either slit of the rip fence so that they fit as shown in the figure.

To change from the pattern A or B to the pattern C or D, or in adverse case, remove the square nut, washer and clamping screw (A) from the rip fence holder, then position the clamping screw (A), washer and square nut on the opposite position of the rip fence holder compared to the original position. Tighten the clamping screw (A) securely after inserting the square nut of the rip fence holder into the rip fence slit.

Insert the square nut on the rip fence holder into the back end of either slit of the rip fence so that they fit as shown in the figure. (Fig. 26)

The rip fence is factory adjusted so that it is parallel to the blade surface. Make sure that it is parallel. To check to be sure that the rip fence is parallel with the blade. Lower the table to the lowest position so that the blade appears at the topmost position from the table. Mark one of the blade teeth with a crayon. Measure the distance (A) and (B) between the rip fence and blade. Take both measurements using the tooth marked with the crayon. (Fig. 27) These two measurements should be identical. If the rip fence is not parallel with the blade, proceed as follows: (Fig. 28)

- (1) Turn the adjusting screws counterclockwise.
- (2) Shift the back edge of the rip fence slightly to right or left until it becomes parallel with the blade.
- (3) Tighten the adjusting screw on the rip fence firmly.

CAUTION:

- Be sure to adjust the rip fence so that it is parallel with the blade, or a dangerous kickback condition may occur.
- Be sure to adjust the rip fence so that it does not contact the top blade guard or saw blade. (Fig. 29)

Dust bag

The use of the dust bag makes cutting operations clean and dust collection easy. To attach the dust bag, fit it onto the dust nozzle. (Fig. 30)

NOTE:

- In miter saw mode, always insert the dust bag to the mark back nozzle only.

When the dust bag is about half full, remove the dust bag from the tool and pull the fastener out. Empty the dust bag of its contents, tapping it lightly so as to remove particles adhering to the insides which might hamper further collection. (Fig. 31)

If you connect a vacuum cleaner to your saw, more efficient and cleaner operations can be performed. When using in the table saw mode, connect a vacuum cleaner.

Table saw mode (Fig. 32)

Miter saw mode (Fig. 33)

To install the blade cover when using in the table saw mode (bench mode), turn the turn base to 0° miter angle (see the section titled "Adjusting the miter angle") and place the blade cover on the turn table so that the blade cover is centered over the slit for the blade entrance in the turn table and then lock the handle in the lowest position by fully pushing in the stopper pin as shown in the figure.

NOTE:

- When using the tool in the table saw mode (bench mode), make sure that the blade cover is installed on the turn table.

Securing workpiece

Whenever possible, secure the workpiece with the optional vise. If you must use your hand to hold the workpiece, then it must be done firmly and securely so as not to lose control of the workpiece. Your hand and arm must be kept well away from the blade area (100 mm minimum). Squeeze the workpiece firmly against the guide fence with your fingers held over the top of the guide fence. The workpiece must also rest steadily on the turn base.

⚠ WARNING:

- Never use your hand to hold the workpiece that requires your hand to be any closer than 100 mm from the blade area. In this case, always use the optional vise to secure the workpiece. After any cutting operation, raise the blade gently. Never raise the blade until it has come to a complete stop. Serious injury may result.

⚠ CAUTION:

- When cutting long workpieces, use supports that are as high as the top surface level of the turn base. Do not rely solely on the vertical vise and/or horizontal vise (optional) to secure the workpiece. (Fig. 34)
Thin material tends to sag. Support workpiece over its entire length to avoid blade pinch and possible KICK-BACK.

Sub-fence (for European countries only) (Fig. 35)

This tool is equipped with the sub-fence. Usually position the sub-fence inside. However, when performing left bevel cuts, flip it outward.

⚠ CAUTION:

- When performing left bevel cuts, flip the sub-fence outward. Otherwise, it will contact the blade or a part of the tool, causing possible serious injury to the operator.

Vertical vise (Fig. 36)

The vertical vise can be installed in two positions on either the left or right side of the guide fence. Insert the vise rod into the hole in the guide fence or the holder assembly and tighten the screw to secure the vise rod. Position the vise arm according to the thickness and shape of the workpiece and secure the vise arm by tightening the screw. If the screw to secure the vise arm contacts the guide fence, install the screw on the opposite side of vise arm. Make sure that no part of the tool contacts the vise when lowering the handle all the way. If some part contacts the vise, re-position the vise.

Press the workpiece flat against the guide fence and the turn base. Position the workpiece at the desired cutting position and secure it firmly by tightening the vise knob.

⚠ CAUTION:

- The workpiece must be secured firmly against the turn base and guide fence.

Horizontal vise (optional accessory) (Fig. 37)

The horizontal vise can be installed on either the left or right side of the base. When performing 30° or greater miter cuts, install the horizontal vise on the side opposite the direction in which the turn base is to be turned. By turning the vise knob counterclockwise, the screw is released and the vise shaft can be moved rapidly in and out. By turning the vise knob clockwise, the screw remains secured. To grip the workpiece, turn the vise knob gently clockwise until the projection reaches its topmost position, then fasten securely. If the vise knob is forced in or pulled out while being turned clockwise, the projection may stop at an angle. In this case, turn the vise knob back counterclockwise until the screw is released, before turning again gently clockwise.

The maximum width of the workpiece which can be secured by the horizontal vise is 200 mm.

OPERATION

⚠ WARNING:

- When using the tool in the miter saw mode, secure the top table at the topmost position so that the saw blade never protrudes from the top surface of the top table.

⚠ CAUTION:

- Before use, be sure to release the handle from the lowered position by pulling the stopper pin.
- Make sure the blade is not contacting the workpiece, etc. before the switch is turned on.

CUTTING AS MITER SAW

⚠ CAUTION:

- Do not apply excessive pressure on the handle when cutting. Too much force may result in overload of the motor and/or decreased cutting efficiency. Push down handle with only as much force as is necessary for smooth cutting and without significant decrease in blade speed.
- Gently press down the handle to perform the cut. If the handle is pressed down with force or if lateral force is applied, the blade will vibrate and leave a mark (saw mark) in the workpiece and the precision of the cut will be impaired.

1. Press cutting (Fig. 38)

Secure the workpiece against guide fence and turn table. Switch on the tool without the blade making any contact and wait until the blade attains full speed before lowering. Then gently lower the handle to the fully lowered position to cut the workpiece. When the cut is completed, switch off the tool and WAIT UNTIL THE BLADE HAS COME TO A COMPLETE STOP before returning the blade to its fully elevated position.

2. Miter cutting

Refer to the previously covered "Adjusting the miter angle".

3. Bevel cut (Fig. 39)

Loosen the lever and tilt the saw blade to set the bevel angle (Refer to the previously covered "Adjusting the bevel angle"). Be sure to retighten the lever firmly to secure the selected bevel angle safely. Secure the workpiece against guide fence and turn table. Switch on the tool without the blade making any contact and wait until the blade attains full speed. Then gently lower the handle to the fully lowered position while applying pressure in parallel with the blade. When the cut is completed, switch off the tool and WAIT UNTIL THE BLADE HAS COME TO A COMPLETE STOP before returning the blade to its fully elevated position.

⚠ CAUTION:

- Always be sure that the blade will move down to bevel direction during a bevel cut. Keep hands out of path of saw blade.
- During a bevel cut, it may create a condition whereby the piece cut off will come to rest against the side of the blade. If the blade is raised while the blade is still rotating, this piece may be caught by the blade, causing fragments to be scattered which is dangerous. The blade should be raised ONLY after the blade has come to a complete stop.
- When pressing the handle down, apply pressure parallel to the blade. If the pressure is not parallel to the blade during a cut, the angle of the blade might be shifted and the precision of the cut will be impaired.
- (Only for European countries) always set the sub-fence outside when performing left bevel cuts.

4. Compound cutting

Compound cutting is the process in which a bevel angle is made at the same time in which a miter angle is being cut on a workpiece. Compound cutting can be performed at angle shown in the table.

Bevel angle	Miter angle
45°	Left and Right 0° – 45°

006366

When performing compound cutting, refer to "Press cutting", "Miter cutting" and "Bevel cut" explanations.

5. Cutting aluminum extrusion (Fig. 40)

When securing aluminum extrusions, use spacer blocks or pieces of scrap as shown in the figure to prevent deformation of the aluminum. Use a cutting lubricant when cutting the aluminum extrusion to prevent buildup of the aluminum material on the blade.

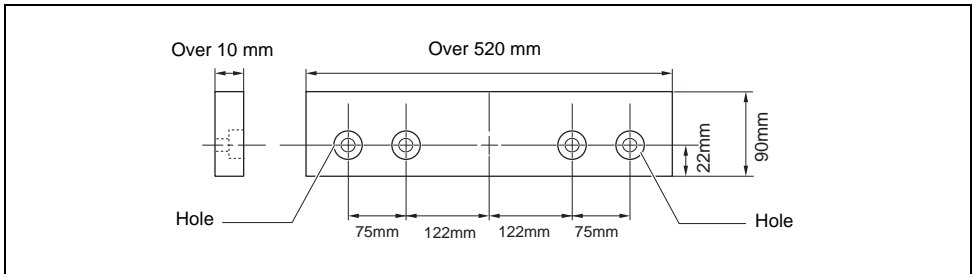
⚠ CAUTION:

- Never attempt to cut thick or round aluminum extrusions. Thick aluminum extrusions may come loose during operation and round aluminum extrusions cannot be secured firmly with this tool.
- Never cut aluminum in the table saw mode (bench mode).

6. Wood facing

Use of wood facing helps to assure splinter-free cuts in workpieces. Attach a wood facing to the guide fence using the holes in the guide fence.

See the figure concerning the dimensions for a suggested wood facing.



015190

⚠ CAUTION:

- Use straight wood of even thickness as the wood facing.
- Use screws to attach the wood facing to the guide fence. The screws should be installed so that the screw heads are below the surface of the wood facing.
- When the wood facing is attached, do not turn the turn base with the handle lowered. The blade and/or the wood facing will be damaged.

CUTTING AS TABLE SAW (BENCH MODE)

When using the tool in the table saw mode (bench mode), place the blade cover on the turn table so that the blade cover is centered over the slit for the blade entrance in the turn table and two small bosses on the underside of the blade cover fit into the semi-circular slit in the periphery of the guide fence on the turn table as shown in the figure and then lock the handle in the lowest position by fully pushing in the stopper pin. If not fixing the blade cover, the table can not be down. (Fig. 41) In case of tools for European countries, flip the sub-fence outward before placing the blade cover.

CAUTION:

- Always use “work helpers” such as push sticks and push blocks when there is a danger that your hands or fingers will come close to the blade.
- Always hold the workpiece firmly with the table and the rip fence. Do not bend or twist it while feeding. If the workpiece is bent or twisted, dangerous kickbacks may occur.
- NEVER withdraw the workpiece while the blade is running. If you must withdraw the workpiece before completing a cut, first switch the tool off while holding the workpiece firmly. Wait until the blade has come to a complete stop before withdrawing the workpiece. Failure to do so may cause dangerous kickbacks.
- NEVER remove cut-off material while the blade is running.
- NEVER place your hands or fingers in the path of the saw blade.
- Always secure the rip fence firmly, or dangerous kickbacks may occur.
- Always use “work helpers” such as push sticks and push blocks when cutting small or narrow workpieces.

Work helpers

Push sticks, push blocks or auxiliary fence are types of “work helpers”. Use them to make safe, sure cuts without the need for the operator to contact the blade with any part of the body.

Push block (Fig. 42)

Use a 15 mm piece of plywood.

Handle should be in center of plywood piece. Fasten with glue and wood screws as shown. Small piece 10 mm x 9 mm x 30 mm of wood must always be glued to plywood to keep the blade from dulling if the operator cuts into push block by mistake.

(Never use nails in push block.)

Auxiliary fence (Fig. 43 & 44)

Make auxiliary fence from 10 mm and 15 mm plywood pieces.

Remove the rip fence, clamping screw (A), flat washer and square nut from the rip fence holder and then attach and secure the auxiliary fence to the rip fence holder by using a bolt M6 longer than M6 x 50, washers and nut.

Ripping

CAUTION:

- When cutting long or large workpieces, always provide adequate support behind the table. DO NOT allow a long board to move or shift on the table. This will cause the blade to bind and increase the possibility of kickback and personal injury. The support should be at the same height as the table.
1. Adjust the depth of cut a bit higher than the thickness of the workpiece. To make this adjustment, loosen two levers and lower or raise the top table.
 2. Position the rip fence to the desired width of rip and secure in place by tightening the clamping screw (A). Before ripping, make sure the two screws of the rip fence holder are secured. If it is not secured enough, retighten it.
 3. Turn the tool on and gently feed the workpiece into the blade along with the rip fence.
 - (1) When the width of rip is 40 mm or wider, use a push stick. (Fig. 45)

- (2) When the width of rip is narrower than 40 mm, the push stick cannot be used because the push stick will strike the top blade guard. Use the auxiliary fence and push block. Install securely the auxiliary fence which is secured to the rip fence holder on the table. Feed the workpiece by hand until the end is about 25 mm from the front edge of the top table. Continue to feed using the push block on the top of the auxiliary fence until the cut is complete. (Fig. 46)

Carrying tool

Make sure that the tool is unplugged. The table must be fixed at the top position. Secure the blade at 0° bevel angle and the turn base at left miter angle fully. Lower the handle fully and lock it in the lowered position by fully pushing in the stopper pin. (Fig. 47)

Carry the tool by holding both sides of the tool base as shown in the figure. If you remove the holders, dust bag, etc., you can carry the tool more easily. (Fig. 48)

CAUTION:

- Always secure all moving portions before carrying the tool.

MAINTENANCE

CAUTION:

- Always be sure that the tool is switched off and unplugged before attempting to perform inspection or maintenance.
- Never use gasoline, benzine, thinner, alcohol or the like. Discoloration, deformation or cracks may result.

WARNING:

- Always be sure that the blade is sharp and clean for the best and safest performance.

Adjusting the cutting angle

This tool is carefully adjusted and aligned at the factory, but rough handling may have affected the alignment. If your tool is not aligned properly, perform the following:

1. Miter angle

Loosen the grip which secures the turn base. Turn the turn base so that the pointer points to 0° on the miter scale. Tighten the grip and loosen the hex bolts securing the guide fence using the socket wrench. (Fig. 49)

Lower the handle fully and lock it in the lowered position by pushing in the stopper pin. Square the side of the blade with the face of the guide fence using a triangular rule, try-square, etc. Then securely tighten the hex bolts on the guide fence in the order from the right side. (Fig. 50)

2. Bevel angle

(1) 0° bevel angle

Lower the handle fully and lock it in the lowered position by pushing in the stopper pin. Loosen the lever at the rear of the tool.

Turn the 0° bevel angle adjusting bolt on the right side of the turn base two or three revolutions clockwise to tilt the blade to the right. (Fig. 51)

Carefully square the side of the blade with the top surface of the turn base using the triangular rule, try-square, etc. by turning the 0° bevel angle adjusting bolt counterclockwise. (Fig. 52)

Make sure that the pointer on the turn base point to 0° on the bevel scale on the arm. If it does not point to 0°, loosen the screw which secures the pointer and adjust the pointer so that it will point to 0°.

(Fig. 53)

(2) 45° bevel angle

Adjust the 45° bevel angle only after performing 0° bevel angle adjustment. To adjust left 45° bevel angle, loosen the lever and tilt the blade to the left fully. Make sure that the pointer on the arm points to 45° on the bevel scale on the arm. If the pointer does not point to 45°, turn the 45° bevel angle adjusting bolt on the left side of the arm until the pointer points to 45°. **(Fig. 54)**

Replacing carbon brushes (Fig. 55 & 56)

Remove and check the carbon brushes regularly. Replace when they wear down to 3 mm in length. Keep the carbon brushes clean and free to slip in the holders. Both carbon brushes should be replaced at the same time. Use only identical carbon brushes.

Use a screwdriver to remove the brush holder caps. Take out the worn carbon brushes, insert the new ones and secure the brush holder caps.

After use

- After use, wipe off chips and dust adhering to the tool with a cloth or the like. Keep the blade guards clean according to the directions in the previously covered section titled "Blade guard". Lubricate the sliding portions with machine oil to prevent rust.

To maintain product SAFETY and RELIABILITY, repairs, any other maintenance or adjustment should be performed by Makita Authorized Service Centers, always using Makita replacement parts.

OPTIONAL ACCESSORIES

⚠ CAUTION:

- These accessories or attachments are recommended for use with your Makita tool specified in this manual. The use of any other accessories or attachments might present a risk of injury to persons. Only use accessory or attachment for its stated purpose.

If you need any assistance for more details regarding these accessories, ask your local Makita Service Center.

- Steel & Carbide-tipped saw blades
- Vise assembly (Horizontal vise)
- Vertical vise
- Socket wrench 13
- Holder set
- Dust bag
- Triangular rule
- Blade cover
- Push stick
- Ruler assembly (Rip fence)

NOTE:

- Some items in the list may be included in the tool package as standard accessories. They may differ from country to country.

Noise

The typical A-weighted noise level determined according to EN61029:

Model LH1201FL 220 V – 240 V

Sound pressure level (L_{pA}): 93 dB (A)

Sound power level (L_{WA}): 106 dB (A)

Uncertainty (K): 3 dB (A)

Model LH1201FL 110 V

Sound pressure level (L_{pA}): 95 dB (A)

Sound power level (L_{WA}): 108 dB (A)

Uncertainty (K): 3 dB (A)

Wear ear protection

ENH003-15

For European countries only

EC Declaration of Conformity

Makita declares that the following Machine(s):

Designation of Machine:

Table Top Miter Saw

Model No./ Type: LH1201FL

Conforms to the following European Directives:

2006/42/EC

They are manufactured in accordance with the following standard or standardized documents:

EN61029

The technical file in accordance with 2006/42/EC is available from:

Makita, Jan-Baptist Vinkstraat 2, 3070, Belgium

31.7.2015



Yasushi Fukaya

Director

Makita, Jan-Baptist Vinkstraat 2, 3070, Belgium

Descriptif

1 Boulon	30 Flasque extérieur	58 Tige de l'étau
2 Protecteur de lame inférieur A	31 Flasque intérieur	59 Servante
3 Protecteur de lame supérieur	32 Axe	60 Poignée de l'étau
4 Protecteur de lame inférieur B	33 Bague	61 Ergot
5 Vis	34 Couteau diviseur	62 Axe de l'étau
6 Boulon hexagonal	35 Zone à presser	63 Socle
7 Poignée	36 Boulons hexagonaux	64 Étau
8 Levier	37 Largeur de la lame	65 Cale d'écartement
9 Face supérieure du socle rotatif	38 Support du garde parallèle	66 Profilé d'aluminium
10 Bord de la lame	39 Rail du guide sur la table supérieure	67 Petit bossage
11 Guide	40 Vis de serrage (A)	68 Face/bord parallèles
12 Index	41 Vis de serrage (B)	69 Vis à bois
13 Levier de verrouillage	42 Garde parallèle	70 Coller ensemble
14 Manche	43 Ligne d'alignement	71 Orifice (7 mm de diamètre)
15 Secteur	44 Pièce	72 Bâton poussoir
16 Échelle de coupe en biseau	45 Écrou carré	73 Garde auxiliaire
17 Interrupteur d'alimentation	46 Etrier	74 Bloc poussoir
18 Interrupteur de lampe	47 Échelle	75 Règle triangulaire
19 Interrupteur du laser	48 Vis de réglage	76 Boulon de réglage de coupe en biseau 0°
20 Lampe	49 Raccord à poussières	77 Face supérieure du plateau tournant
21 Broche d'arrêt	50 Sac à poussière	78 Bras
22 Table supérieure	51 Fermeture	79 Boulon de réglage de coupe en biseau 45°
23 Carter du moteur	52 Aspirateur	80 Tournevis
24 Capot central	53 Carter de lame	81 Bouchon de porte-charbon
25 Clé à douille	54 Cale	82 Molette
26 Blocage de l'arbre	55 Socle rotatif	
27 Lame	56 Guide inférieur	
28 Porte-lame	57 Bras de l'étau	
29 Flèche		

SPÉCIFICATIONS

Modèle

LH1201FL

Diamètre de la lame	305 mm
Épaisseur du corps de la lame	1,9 mm ou moins
Diamètre de l'orifice	
Pour tous les pays à l'exception de l'Europe.....	25,4 mm
Pour l'Europe.....	30 mm
Capacités max. de coupe (Hauteur x Largeur) avec une lame à diamètre de 305 mm, en mode de scie à coupe d'onglet	

Angle de biseau	Angle d'onglet	
	90°	45° (de gauche à droite)
90°	95 mm x 155 mm 62 mm x 200 mm	95 mm x 110 mm 62 mm x 135 mm
45°	64 mm x 155 mm 40 mm x 200 mm	64 mm x 65 mm 40 mm x 85 mm

Capacités max. de coupe à 90° en mode de scie circulaire à table (scie d'établi).....	52 mm
Vitesse à vide (min ⁻¹).....	3 800
Type de laser.....	Laser rouge 650 nm, < 1 mW (Laser de classe 2)
Dimensions de la table (Largeur x Longueur)	307 mm x 465 mm
Dimensions (L x l x H)	610 mm x 535 mm x 692 mm
Poids net	20,9 kg
Classe de sûreté.....	II/II

- Étant donné l'évolution constante de notre programme de recherche et de développement, les spécifications contenues dans ce manuel sont sujettes à modification sans préavis.
- Les spécifications peuvent varier suivant les pays.
- Poids selon la procédure EPTA 01/2003

Utilisations

L'outil est conçu pour la coupe rectiligne de précision et (uniquement lorsque utilisé comme scie à coupe d'onglet sur la table inférieure) pour la coupe d'onglet dans le bois.

ENF002-2

Alimentation

L'outil ne devra être raccordé qu'à une alimentation de la même tension que celle qui figure sur la plaque signalétique, et il ne pourra fonctionner que sur un courant secteur monophasé. Réalisé avec une double isolation, il peut de ce fait être alimenté sans mise à la terre.

GEA010-1

Consignes de sécurité générales pour outils électriques

⚠ AVERTISSEMENT Veuillez lire toutes les mises en garde et toutes les instructions. Il y a risque de choc électrique, d'incendie et/ou de blessure grave si les mises en garde et les instructions ne sont pas respectées.

Conservez toutes les mises en garde et instructions pour référence ultérieure.

ENB088-5

CONSIGNES DE SÉCURITÉ RELATIVES À LA SCIE À ONGLETS À TABLE SUPÉRIEURE

POUR LE MODE DE SCIE À COUPE D'ONGLET ET LE MODE DE SCIE CIRCULAIRE À TABLE (SCIE D'ÉTABLI)

1. Avant utilisation, assurez-vous que la lame n'est pas fissurée ni déformée. Remplacez immédiatement une lame endommagée.
2. N'utilisez pas la scie sans mettre en place les protecteurs et le couteau diviseur, en particulier après un changement de mode. Vérifiez le bon fonctionnement des protecteurs de lame avant chaque utilisation. Ne pas utiliser la scie si les protecteurs de lame ne se déplacent pas librement et ne se referment pas instantanément sur la lame. Ne jamais fixer ou attacher les protecteurs de lame en position ouverte. Tout fonctionnement anormal des protecteurs de lame doit être immédiatement corrigé.
3. Utilisez uniquement les lames de scie spécifiées par le fabricant et conformes à la norme EN847-1. L'épaisseur du couteau diviseur doit être inférieure à la largeur de coupe et supérieure à celle du corps de la lame.
4. Ne pas utiliser de lames fabriquées en acier à coupe rapide.
5. Portez des protections pour les yeux.
6. Portez des protecteurs d'oreilles afin de réduire les risques de perte d'audition.
7. Portez des gants lorsque vous manipulez les lames de scie (à transporter dans un étui lorsque c'est possible) et des matériaux bruts.
8. Raccordez l'outil à un dispositif de collecte des poussières pour effectuer vos travaux de sciage.
9. Rangez toujours le bâton poussoir une fois son utilisation terminée.
10. Le plancher doit être maintenu en bon ordre et exempt de matériaux tels que copeaux et retailles autour de la zone d'utilisation de l'outil.
11. L'utilisateur doit avoir reçu une formation adéquate concernant l'utilisation, le réglage et le fonctionnement de l'outil.
12. Arrêtez et débranchez la scie lorsque vous la laissez sans surveillance.
13. Pour réduire le bruit émis par la lame, assurez-vous toujours qu'elle est bien affûtée et propre.
14. Utilisez uniquement des lames de scie sur lesquelles est indiquée une vitesse maximale égale ou supérieure à la vitesse à vide figurant sur l'outil.
15. Lorsque l'outil est équipé d'un laser ou d'une DEL, ne le remplacez pas par un laser ou une DEL de type différent. Ces réparations doivent être effectuées par un centre technique agréé.
16. N'enlevez jamais de la zone de coupe les chutes ou autres parties détachées de la pièce pendant que l'outil fonctionne avec une lame de scie sans protection.
17. N'utilisez jamais l'outil pour l'ébavurage, le feuillurage ou le rainurage.
18. Avant de transporter l'outil, recouvrez toujours la partie supérieure de la lame de scie avec le protecteur de lame supérieur et bloquez toutes les parties mobiles. Lorsque vous soulevez ou portez l'outil, n'utilisez pas le protecteur comme poignée.
19. Avant ou pendant l'installation de la lame, nettoyez et manipulez avec soin l'axe, les flasques (tout spécialement la surface d'installation) et le boulon hexagonal pour éviter de les endommager. Tout dommage subi par ces pièces risquerait d'entraîner le bris de la lame. La lame risque de vibrer, sautiller ou onduler si elle n'est pas correctement installée. Utilisez exclusivement les flasques spécifiés pour cet outil.
20. Utilisez toujours les accessoires recommandés dans le présent manuel. L'utilisation d'accessoires inadéquats, tels que les meules à tronçonner, comporte un risque de blessure.
21. Sélectionnez la lame qui convient au type de matériau à couper.
22. Ne coupez pas d'objets métalliques tels que des vis ou des clous. Avant de procéder à la coupe, vérifiez la pièce pour en retirer les clous, vis et autres corps étrangers.
23. AVANT de commencer la coupe, éliminez tous les nœuds vicieux de la pièce.
24. Ne pas utiliser l'outil en présence de gaz ou liquides inflammables.
25. Pour votre propre sécurité, retirez les copeaux, petites pièces, etc., qui se trouvent dans la zone de travail ou sur la table supérieure avant de brancher l'outil et de l'utiliser.
26. Évitez que vos mains, ainsi que toute personne, y compris vous-même, ne se trouvent sur la ligne de coupe de la lame. Évitez tout contact avec une lame en roue libre. Même une lame en roue libre comporte un risque de blessure grave. Gardez les mains à l'écart de la lame.
27. Restez vigilant en tout temps, et surtout lors des sciages répétés et monotones. Ne vous laissez jamais prendre par un sentiment trompeur de sécurité. Les lames de scie ne pardonnent pas.
28. Assurez-vous que le blocage de l'arbre est libéré avant de mettre le contact.

29. Avant de scier la pièce, faites tourner l'outil un instant à vide. Assurez-vous que la lame ne vibre pas et ne sautille pas, ce qui signifierait qu'elle est mal installée ou mal équilibrée.
30. Avant de scier, attendez que la lame ait atteint sa pleine vitesse.
31. Arrêtez immédiatement le sciage si vous remarquez quoi que ce soit d'anormal.
32. Coupez le contact et attendez l'arrêt de la lame avant de déplacer la pièce ou de modifier les réglages.
33. Débranchez l'outil avant de changer la lame, avant de réparer l'outil et après l'utilisation.
34. Les poussières dégagées lors de l'utilisation de l'outil peuvent contenir certains produits chimiques reconnus comme pouvant causer le cancer, des anomalies congénitales ou autres problèmes de reproduction. Parmi ces produits chimiques figurent notamment :
 - le plomb qui contiennent les matériaux recouverts de peinture à base de plomb, ainsi que
 - l'arsenic et le chrome que contient le bois de construction traité chimiquement.
 Les risques encourus varient suivant la fréquence d'exposition qu'implique votre travail. Pour réduire votre degré d'exposition à ces produits chimiques : travaillez dans une aire de travail bien aérée et utilisez des dispositifs de sécurité approuvés, tels que des masques à poussière spécialement conçus pour filtrer les particules microscopiques.
35. Même lorsque l'outil est utilisé conformément aux instructions, il n'est pas possible d'éliminer tous les facteurs de risque résiduel. Les dangers suivants peuvent survenir en raison des caractéristiques de fabrication et de conception de l'outil :
 - Effets sur la santé causés par les vibrations sur la main et le bras en cas d'utilisation prolongée de l'outil électrique, ou si ce dernier n'est pas utilisé ou réparé correctement.
 - Blessure ou dommages causés par un accessoire mal fixé et glissant hors de l'outil électrique de manière inattendue si l'outil est endommagé, usé ou mal monté.
43. Ne coupez jamais de petites pièces qu'il est impossible d'immobiliser avec l'étau. Une pièce mal immobilisée risque d'entraîner des chocs en retour et de provoquer des blessures.
44. Ne pas utiliser la scie pour couper tout autre matériau que le bois, l'aluminium et des matériaux similaires.
45. Assurez-vous que le socle rotatif est bien fixé, afin qu'il ne risque pas de se déplacer pendant le sciage.
46. Avant de mettre le contact, assurez-vous que la lame, lorsqu'elle se trouve sur sa position la plus basse, n'entre pas en contact avec le socle rotatif ou avec la pièce.
47. Tenez la poignée fermement. N'oubliez pas que la scie se déplace légèrement de haut en bas au démarrage et à l'arrêt.

LORS DE L'UTILISATION EN MODE DE SCIE CIRCULAIRE À TABLE (SCIE D'ÉTABLI) :

48. Assurez-vous que le bras est fermement fixé en position de travail. Pour serrer le bras, tournez le levier vers la droite.
 49. Assurez-vous que la table de scie d'établi est fermement fixée à la hauteur désirée.
 50. Ne réalisez pas d'opération à main levée, c'est-à-dire en utilisant vos mains pour soutenir ou guider la pièce au lieu d'avoir recours à un garde parallèle.
 51. Avant de mettre le contact, assurez-vous que la lame n'entre pas en contact avec le couteau diviseur ou la pièce.
 52. Prêtez une attention particulière aux instructions concernant la réduction des risques de CHOC EN RETOUR. Le choc en retour désigne une réaction soudaine de l'outil qui se produit lorsque la lame est coincée, pincée ou désalignée. Lors d'un CHOC EN RETOUR l'outil éjecte la pièce vers l'utilisateur. LES CHOCS EN RETOUR COMPORTENT UN RISQUE DE BLESSURE GRAVE. Évitez les CHOCS EN RETOUR en maintenant la lame bien affûtée, le garde parallèle en position parallèle à la lame, le couteau diviseur et le protecteur de lame bien en place et en bon état de fonctionnement, en évitant de relâcher la pièce avant de l'avoir poussée complètement derrière la lame, et en évitant de scier en long une pièce tordue, déformée ou dont le bord inégal rend l'utilisation du guide impossible.
 53. Évitez de faire avancer la pièce de manière brusque ou rapide. Faites-la avancer le plus lentement possible lorsque vous coupez des pièces dures. Évitez de plier ou tordre la pièce pendant la progression de l'outil. Coupez immédiatement le contact si la lame se bloque ou se coince dans la pièce. Débranchez l'outil. Dégagez la lame.
- LORS DE L'UTILISATION EN MODE DE SCIE À COUPE D'ONGLET :
36. Remplacez le plateau de découpe lorsqu'il est usé.
 37. Utilisez un bâton poussoir ou un bloc poussoir pour éviter d'avoir à poser les mains et les doigts à proximité de la lame pendant le sciage.
 38. Assurez-vous que le bras est correctement fixé lors des coupes en biseau. Pour serrer le bras, tournez le levier vers la droite.
 39. Ne sciez jamais à la volée. La pièce doit être fermement serrée contre le socle rotatif et le guide avec l'étau pendant toutes les opérations. N'utilisez jamais votre main pour immobiliser la pièce.
 40. Assurez-vous que l'outil est stable avant chaque coupe.
 41. Fixez l'outil sur un établi si nécessaire.
 42. Utilisez des cales supplémentaires adaptées pour soutenir les pièces de grande longueur.

CONSERVEZ CES INSTRUCTIONS.

⚠ AVERTISSEMENT :

NE vous laissez PAS tromper (au fil d'une utilisation répétée) par un sentiment d'aisance et de familiarité avec le produit, en négligeant le respect rigoureux des consignes de sécurité qui accompagnent le produit en question. La MAUVAISE UTILISATION de l'outil ou l'ignorance des consignes de sécurité indiquées dans ce manuel d'instructions peut entraîner une blessure grave.

INSTALLATION

⚠ ATTENTION :

- La surface du plancher autour du point d'utilisation de l'outil doit être maintenue en bon ordre et exempte de matériaux tels que copeaux et retailles.

Montage de l'établi (Fig. 1)

Boulonnez l'outil à l'aide de deux boulons sur une surface stable et de niveau, en utilisant les orifices à boulon prévus sur le socle de l'outil. Ceci pour empêcher tout risque de renversement et de blessure.

DESCRIPTION DU FONCTIONNEMENT

⚠ ATTENTION :

- Assurez-vous toujours que l'outil est hors tension et débranché avant de l'ajuster ou de vérifier son fonctionnement.

Protecteur de lame (Fig. 2 et 3)

⚠ ATTENTION :

- Assurez-vous qu'il n'est pas possible d'abaisser la poignée sans avoir d'abord poussé vers la gauche le levier situé près de la poignée.
- Assurez-vous que les protecteurs de lame inférieurs A et B ne s'ouvrent que si le levier situé près de la poignée est poussé sur la position la plus élevée de la poignée.

Le protecteur de lame inférieur A s'élève automatiquement si vous abaissez la poignée tout en poussant le levier sur la gauche. Les protecteurs de lame inférieurs étant dotés d'un ressort, ils retournent en position initiale une fois la coupe terminée et la poignée levée. Le protecteur de lame supérieur tombe à plat sur la surface supérieure de la pièce une fois celle-ci passée sous ledit protecteur. **NE JAMAIS MODIFIER OU RETIRER LES PROTECTEURS DE LAME INFÉRIEURS, LE RESSORT QUI LE RETIENT ET LE PROTECTEUR DE LAME SUPÉRIEUR.**

Par mesure de sécurité personnelle, chacun des protecteurs de lame doit être maintenu en bonne condition. Tout fonctionnement anormal des protecteurs doit être immédiatement corrigé. Assurez-vous que le ressort assure le retour des protecteurs de lame inférieurs. **NE JAMAIS UTILISER L'OUTIL SI LE PROTECTEUR DE LAME INFÉRIEUR, LE RESSORT OU LE PROTECTEUR DE LAME SUPÉRIEUR EST ENDOMMAGÉ, DÉFECTUEUX OU RETIRÉ. CELA EST TRÈS DANGEREUX ET COMPORTE UN RISQUE DE BLESSURE GRAVE.**

Lorsqu'un des protecteurs de lame transparents est sale ou lorsque la sciure de bois y adhère au point que la lame ne soit plus bien visible, débranchez la scie et nettoyez soigneusement les protecteurs avec un chiffon humide. Ne pas utiliser de solvant ou tout autre nettoyeur à base de pétrole pour nettoyer le protecteur en plastique.

Si le protecteur de lame inférieur A est sale au point qu'il n'est plus possible de bien voir à travers, procédez comme suit. Immobilisez la table supérieure en position complètement élevée, soulevez la poignée complètement, enfoncez complètement la broche d'arrêt alors que la poignée est en position complètement élevée, et utilisez la clé à douille fournie pour desserrer le boulon hexagonal qui retient le capot central. Desserrez le boulon hexagonal en le tournant vers la gauche et soulevez le protecteur de lame inférieur A et le capot central tout en poussant le levier vers la gauche. Le nettoyage s'effectue de manière plus complète et efficace lorsque le protecteur de lame inférieur A se trouve dans cette position. Une fois le nettoyage terminé, suivez la procédure ci-dessus dans l'ordre inverse et serrez le boulon.

Lorsque c'est le protecteur de lame supérieur qui est sale, desserrez la vis qui le retient avec un tournevis et retirez le protecteur de lame supérieur. Après l'avoir nettoyé, n'oubliez pas de le réinstaller en serrant la vis, mais pas trop, de sorte que le protecteur de lame supérieur se déplace doucement vers le haut et le bas.

Si l'un ou l'autre des protecteurs de lame se décolore avec le temps ou sous l'effet des rayons ultraviolets, contactez un centre de service après-vente Makita pour vous procurer un protecteur neuf. **NE PAS MODIFIER OU RETIRER LES PROTECTEURS.**

Maintien de la capacité de coupe maximale (Fig. 4)

Cet outil est réglé en usine pour que sa capacité de coupe soit maximale avec une lame de 305 mm.

⚠ ATTENTION :

- Après l'installation d'une lame neuve, assurez-vous toujours qu'elle n'entre en contact avec aucune partie du socle inférieur lorsque la poignée est complètement abaissée. L'outil doit toujours être débranché lors de cette opération.

Réglage de l'angle de coupe d'onglet (Fig. 5)

Desserrez le manche en le tournant vers la gauche. Faites tourner le socle rotatif tout en abaissant le levier de verrouillage. Lorsque le manche est arrivé au point où l'index indique la valeur angulaire désirée sur le secteur, serrez le manche à fond en le tournant vers la droite.

⚠ ATTENTION :

- Vous devez soulever complètement la poignée lorsque vous faites tourner le socle rotatif.
- Après avoir modifié l'angle de coupe d'onglet, fixez toujours le socle rotatif en serrant le manche à fond.

Réglage de l'angle de coupe en biseau (Fig. 6 et 7)

Pour ajuster l'angle de coupe en biseau, desserrez le levier à l'arrière de l'outil en le tournant vers la gauche. Poussez la poignée vers la gauche pour incliner la lame jusqu'à ce que l'index indique la valeur angulaire désirée sur l'échelle. Resserrez ensuite le levier à fond en le tournant vers la droite pour fixer le bras.

⚠ ATTENTION :

- Vous devez soulever complètement la poignée lorsque vous inclinez la lame.
- Après avoir modifié l'angle de coupe en biseau, fixez toujours le bras en serrant le levier vers la droite.

Interrupteur (Fig. 8)

⚠ ATTENTION :

- Avant l'utilisation, assurez-vous que l'interrupteur permet de mettre et couper le contact de l'outil.

Pour faire démarrer l'outil appuyez sur le bouton ON (I). Pour l'arrêter, appuyez sur le bouton (O).

Allumage des lampes (Fig. 9)

Appuyez sur la position supérieure de l'interrupteur pour allumer la lampe et sur la position inférieure pour l'éteindre.

⚠ ATTENTION :

- Evitez de regarder directement le faisceau lumineux ou sa source.

NOTE :

- Utilisez un chiffon sec pour essuyer les saletés qui recouvrent la lentille de la lampe. Prenez garde de rayer la lentille de la lampe, sinon sa capacité d'éclairage sera affectée.

Utilisation du faisceau laser (Fig. 10)

⚠ ATTENTION :

- RAYONNEMENT LASER

Ne regardez pas fixement le faisceau.

Pour allumer le faisceau laser, appuyez sur la position supérieure (I) de l'interrupteur. Pour éteindre le faisceau laser, appuyez sur la position inférieure (O) de l'interrupteur.

Réglage vertical de la table supérieure (Fig. 11)

Pour régler verticalement la table supérieure, desserrez les deux leviers en les tournant dans le sens contraire des aiguilles d'une montre, puis tournez la molette. Pour rehausser la table supérieure, tournez la molette dans le sens des aiguilles d'une montre. Pour abaisser la table supérieure, tournez la molette dans le sens contraire des aiguilles d'une montre. Serrez fermement ces leviers après le réglage.

⚠ AVERTISSEMENT :

- Placez la table supérieure sur sa position la plus élevée lorsque vous utilisez l'outil en mode de scie à coupe d'onglet, et à la position désirée lorsque vous l'utilisez en mode de scie circulaire à table (scie d'établi).

ASSEMBLAGE

⚠ ATTENTION :

- Avant d'effectuer toute intervention sur l'outil, assurez-vous toujours qu'il est hors tension et débranché.

Pose et dépose de la lame

⚠ ATTENTION :

- Assurez-vous toujours que l'outil est hors tension et débranché avant d'installer ou de retirer la lame.
- Utilisez exclusivement la clé à douille Makita fournie pour installer ou retirer la lame. Sinon, le boulon hexagonal risque d'être trop ou pas assez serré. Cela peut entraîner une blessure.

Immobilisez la table supérieure sur la position la plus élevée.

Verrouillez la poignée en position élevée en y poussant la broche d'arrêt. (Fig. 12)

Utilisez ensuite la clé à douille pour desserrer le boulon hexagonal qui retient le capot central, en tournant vers la gauche. Soulevez le protecteur de lame inférieur A et le capot central tout en poussant vers la gauche le levier qui se trouve près de la poignée. (Fig. 13 et 14)

Appuyez sur le blocage de l'arbre pour verrouiller l'axe et desserrez le boulon hexagonal à l'aide de la clé à douille, en tournant vers la droite. Retirez ensuite le boulon hexagonal, le flasque extérieur et la lame. (Fig. 15)

Pour installer la lame, montez-la soigneusement sur l'axe en vous assurant que le sens indiqué par la flèche sur la surface de la lame correspond à celui de la flèche du porte-lame. Installez le flasque extérieur et le boulon hexagonal, puis, à l'aide de la clé à douille, serrez à fond le boulon hexagonal (filetage à gauche), en tournant vers la gauche, tout en appuyant sur le blocage de l'arbre. (Fig. 16 et 17)

⚠ ATTENTION :

- La bague de 25,4 mm ou 30 mm de diamètre extérieur a été montée en usine sur l'axe. Avant de monter la lame sur l'axe, assurez-vous toujours que la bague qui est montée sur l'axe est bien celle qui convient pour l'alésage de la lame que vous prévoyez utiliser. (Fig. 18)

Remettez le protecteur de lame inférieur A et le capot central en position initiale. Serrez ensuite le boulon hexagonal en tournant vers la droite pour fixer le capot central. Soulevez le protecteur de lame inférieur B le plus haut possible et serrez la vis de serrage fermement tout en maintenant le protecteur en position élevée. Abaissez la poignée pour vous assurer que les protecteurs de lame inférieurs se déplacent correctement. Avant de passer à la coupe, assurez-vous que le blocage de l'arbre a libéré l'axe.

Réglage du couteau diviseur

Avant de régler le couteau diviseur, desserrez les deux leviers en les tournant dans le sens contraire des aiguilles d'une montre, puis placez la table supérieure en position basse en tournant la molette dans le sens contraire des aiguilles d'une montre. Fixez ensuite la table supérieure en serrant fermement les deux leviers, tel qu'indiqué sur l'illustration. (Fig. 19)

Il doit y avoir un espace libre d'environ 4 à 5 mm entre le couteau diviseur et les dents de la lame. Réglez le couteau diviseur en conséquence, en desserrant les deux boulons hexagonaux en tournant vers la gauche avec la clé à douille hexagonale, et en mesurant la distance nécessaire. Serrez les deux boulons hexagonaux fermement, puis vérifiez que le protecteur de lame supérieur se déplace en douceur avant de procéder à la coupe. (Fig. 20)

Le couteau diviseur a été installé en usine de sorte que la lame et le couteau diviseur se trouvent en droite ligne. (Fig. 21)

⚠ ATTENTION :

- Si la lame et le couteau diviseur ne sont pas bien alignés, il se peut que la lame se coince dangereusement pendant la coupe. Assurez-vous que le couteau diviseur, tel que vu du dessus, est placé entre les deux extrémités extérieures des dents de la lame. Vous risquez une grave blessure si vous utilisez l'outil alors que le couteau diviseur n'est pas bien aligné. S'ils ne sont pas bien alignés pour une raison quelconque, faites réparer l'outil par un centre de service après-vente Makita agréé.
- Ne retirez pas le couteau diviseur.

Installation et réglage du garde parallèle

1. Installez le garde parallèle sur la table de sorte que le support de garde parallèle s'engage sur le guide du rail. Serrez fermement la vis de serrage (B) du garde parallèle, en tournant vers la droite.

2. Desserrez la vis de serrage (A).
3. Faites glisser le garde parallèle et fixez-le de sorte que son extrémité la plus éloignée de vous soit alignée sur le point où le bord avant de la lame dépasse juste un peu de la surface supérieure de la pièce. Ce réglage a pour but de réduire les risques de choc en retour vers l'utilisateur, en empêchant que la partie coupée de la pièce ne vienne se coincer entre la lame et le garde parallèle, provoquant finalement la poussée de la lame vers l'utilisateur. La ligne 3 varie suivant l'épaisseur de la pièce ou le niveau de la table. Réglez la position du garde parallèle en fonction de l'épaisseur de la pièce. Une fois le garde parallèle réglé, serrez fermement la vis de serrage (A). (Fig. 22 et 23)

NOTE :

- Le garde parallèle doit être monté du côté gauche de la lame pour travailler en mode de scie à coupe d'onglet. (Fig. 24)

NOTE :

- Il existe quatre façons de placer le garde parallèle, tel qu'indiqué sur l'illustration. (Fig. 25) Le garde parallèle est doté de deux fentes latérales, une frange se trouvant à proximité de la fente sur un seul des deux côtés. Utilisez la surface du garde parallèle avec la frange faisant face à la pièce uniquement lorsque vous découpez dans une pièce mince.

NOTE :

- Pour placer le garde parallèle autrement, retirez-le de son support en desserrant la vis de serrage (A) et modifiez son orientation dans le support en fonction du type de coupe à effectuer, tel qu'indiqué sur l'illustration. Insérez l'écrou carré du support de garde parallèle dans l'extrémité arrière d'une des fentes, de sorte qu'ils s'ajustent de la façon illustrée.

Pour passer du type d'installation A ou B au type d'installation C ou D, ou vice-versa, retirez l'écrou carré, la rondelle et la vis de serrage (A) du support de garde parallèle, puis placez la vis de serrage (A), la rondelle et l'écrou carré sur la position opposée du support de garde parallèle par rapport à la position initiale. Serrez fermement la vis de serrage (A) après avoir inséré l'écrou carré du support de garde parallèle dans la fente dudit garde.

Insérez l'écrou carré du support de garde parallèle dans l'extrémité arrière d'une des fentes, de sorte qu'ils s'ajustent de la façon illustrée. (Fig. 26)

Le garde parallèle est ajusté en usine de sorte qu'il soit parallèle à la surface de la lame. Assurez-vous qu'il est parallèle. Pour s'assurer que le garde parallèle est parallèle à la lame. Abaissez la table jusqu'à sa position la plus basse, de sorte que la lame soit la plus élevée possible par rapport à la table. Avec un crayon, tracez une marque sur une des dents de la lame. Mesurez les distances (A) et (B) entre le garde parallèle et la lame. Prenez les deux mesures en utilisant la dent marquée au crayon. (Fig. 27) Les deux mesures doivent être identiques. Si le garde parallèle n'est pas parallèle à la lame, procédez comme suit : (Fig. 28)

- (1) Tournez les vis de réglage dans le sens contraire des aiguilles d'une montre.
- (2) Déplacez le bord arrière du garde parallèle légèrement vers la droite ou la gauche jusqu'à ce que le garde soit parallèle à la lame.

- (3) Serrez fermement la vis de réglage sur le garde parallèle.

⚠ ATTENTION :

- Assurez-vous que le garde parallèle est bien réglé parallèlement à la lame, sinon il y a risque de choc en retour dangereux.
- Lorsque vous réglez le garde parallèle, assurez-vous qu'il n'entre en contact ni avec le protecteur de lame supérieur, ni avec la lame. (Fig. 29)

Sac à poussière

L'utilisation du sac à poussière permet d'effectuer des coupes en toute propreté et facilite la collecte de la poussière. Pour fixer le sac à poussière, insérez-le dans le raccord à poussières. (Fig. 30)

NOTE :

- En mode de scie à coupe d'onglet, insérez toujours le sac à poussière dans le raccord arrière uniquement.

Lorsque le sac à poussière est environ à moitié plein, retirez-le de l'outil et tirez la fermeture. Videz le sac à poussière en le tapant légèrement pour retirer les particules qui adhèrent à sa surface intérieure et risqueraient de faire obstacle à la collecte de la poussière par la suite. (Fig. 31)

Vous pourrez effectuer un travail plus efficace et plus propre si vous raccordez un aspirateur à votre scie.

Lors de l'utilisation en mode de scie circulaire à table, raccordez un aspirateur.

Mode de scie circulaire à table (Fig. 32)

Mode de scie à coupe d'onglet (Fig. 33)

Pour installer le carter de lame lors de l'utilisation en mode de scie circulaire à table (scie d'établi), tournez le socle rotatif sur l'angle de coupe d'onglet 0° (voir la section intitulée "Réglage de l'angle de coupe d'onglet") et placez le carter de lame sur le plateau tournant de sorte que le carter de lame soit centré par rapport à la fente d'entrée de lame dans le socle rotatif, puis verrouillez la poignée sur sa position la plus basse en enfonçant complètement la broche d'arrêt, tel qu'indiqué sur l'illustration.

NOTE :

- Lorsque vous utilisez l'outil en mode de scie circulaire à table (scie d'établi), assurez-vous que le carter de lame est installé sur le plateau tournant.

Immobilisation de la pièce

Lorsque possible, immobilisez la pièce avec l'étau en option. Si vous devez tenir la pièce avec la main, il est impératif qu'elle le soit de manière ferme et sûre pour éviter toute perte de contrôle de la pièce. Vous devez garder la main et le bras à l'écart de la zone de la lame (à une distance minimale de 100 mm). Pressez la pièce fermement contre le garde parallèle, en plaçant les doigts sur la face supérieure du garde parallèle. La pièce doit aussi reposer de manière stable sur le socle rotatif.

⚠ AVERTISSEMENT :

- Ne tenez jamais la pièce avec la main si cette dernière doit être placée à moins de 100 mm de la zone de la lame. Dans ce cas, utilisez toujours l'étau en option pour immobiliser la pièce. Après toute opération de coupe, soulevez la lame doucement. Ne soulevez jamais la lame avant qu'elle ne soit parfaitement arrêtée. Il pourrait en résulter une grave blessure.

ATTENTION :

- Lorsque vous coupez des pièces longues, soutenez-les au moyen de cales aussi hautes que le niveau de la surface supérieure du socle rotatif. N'utilisez pas uniquement l'étau vertical et/ou l'étau horizontal (en option) pour immobiliser la pièce. (Fig. 34)

Les matériaux minces ont tendance à s'affaisser. Soutenez la pièce sur toute sa longueur, pour éviter que la lame ne se coince et provoque un éventuel CHOC EN RETOUR.

Guide inférieur (pour l'Europe uniquement)

(Fig. 35)

Cet outil est équipé d'un guide inférieur. Le guide inférieur est habituellement orienté vers l'intérieur. Tournez-le dépendant vers l'extérieur pour les coupes en biseau à gauche.

ATTENTION :

- Tournez le guide inférieur vers l'extérieur pour les coupes en biseau à gauche. Sinon, il entrera en contact avec la lame ou une autre partie de l'outil, et risque d'entraîner des blessures graves pour l'opérateur.

Etau vertical (Fig. 36)

Vous pouvez installer l'étau vertical sur l'une ou l'autre de deux positions, du côté gauche ou droit du guide. Engagez la tige de l'étau dans l'orifice du guide ou de la butée, et serrez la vis pour fixer la tige de l'étau.

Placez le bras de l'étau en fonction de l'épaisseur et de la forme de la pièce, et fixez le bras de l'étau en serrant la vis. Si la vis de fixation du bras de l'étau entre en contact avec le guide, installez-la de l'autre côté du bras de l'étau. Assurez-vous qu'aucune partie de l'outil ne touche l'étau lorsque vous abaissez le bras complètement. Si une quelconque partie de l'outil entre en contact avec l'étau, modifiez la position de l'étau.

Appuyez la pièce à plat contre le guide et le socle rotatif. Placez la pièce sur la position de coupe désirée et serrez à fond la poignée de l'étau.

ATTENTION :

- La pièce doit être fermement immobilisée contre le socle rotatif et le guide.

Etau horizontal (accessoire en option) (Fig. 37)

L'étau horizontal peut être installé du côté gauche ou droit du socle. Pour effectuer des coupes d'onglet de 30° ou plus, installez l'étau horizontal sur le côté opposé au sens dans lequel le plateau tournant va se déplacer. Quand vous tournez la poignée de l'étau vers la gauche, la vis se libère et la tige de l'étau peut être déplacée rapidement d'avant en arrière. La vis s'immobilise en tournant la poignée de l'étau vers la droite. Pour serrer la pièce, tournez doucement la poignée de l'étau vers la droite jusqu'à ce que l'ergot atteigne sa position supérieure, puis serrez à fond. Si vous tournez la poignée de l'étau en force ou tirez dessus pendant que vous la tournez vers la droite, vous risquez que l'ergot s'arrête à mi-course. Dans ce cas, ramenez la poignée de l'étau vers la gauche jusqu'à ce que la vis soit libérée, et recommencez en tournant doucement la poignée vers la droite. L'épaisseur maximale des pièces que permet d'assurer l'étau horizontal est de 200 mm.

UTILISATION

AVERTISSEMENT :

- Pour utiliser l'outil en mode de scie à coupe d'onglet, fixez la table supérieure sur sa position la plus élevée, de sorte que la lame ne dépasse jamais la surface supérieure de la table supérieure.

ATTENTION :

- Avant l'utilisation, assurez-vous d'avoir dégagé la poignée de la position abaissée en tirant sur la broche d'arrêt.
- Assurez-vous que la lame n'entre pas en contact avec la pièce ou tout autre objet avant de mettre le contact.

COUPE EN MODE DE SCIE À COUPE D'ONGLET

ATTENTION :

- N'appliquez pas une pression excessive sur la poignée pendant la coupe. Vous risqueriez de provoquer une surcharge du moteur et/ou une diminution de la capacité de coupe. Abaissez la poignée en appliquant uniquement la force nécessaire pour effectuer une coupe en douceur sans diminuer de façon significative la vitesse de la lame.
- Abaissez doucement la poignée pour effectuer la coupe. Si vous appuyez trop fort ou si une force latérale est appliquée, la lame vibrera et laissera une marque (marque de sciage) sur la pièce ; la précision de coupe sera également affectée.

1. Coupe sous presse (Fig. 38)

Immobilisez la pièce contre le guide et le plateau tournant.

Mettez l'outil en marche alors que la lame ne touche à rien et attendez qu'elle ait atteint sa pleine vitesse avant de l'abaisser. Abaissez ensuite doucement la poignée au maximum pour couper la pièce. Lorsque la coupe est terminée, coupez le contact de l'outil et ATTENDEZ QUE LA LAME SE SOIT COMPLÈTEMENT ARRÊTÉE avant de ramener la lame en position complètement relevée.

2. Coupe d'onglet

Voyez la section précédente "Réglage de l'angle de coupe d'onglet".

3. Coupe en biseau (Fig. 39)

Desserrez le levier et inclinez la lame pour régler l'angle de coupe en biseau (voir la section précédente "Réglage de l'angle de coupe en biseau"). N'oubliez pas de resserrer le levier fermement de façon à bien assurer l'angle de biseau sélectionné. Immobilisez la pièce contre le guide et le plateau tournant. Mettez l'outil en marche alors que la lame ne touche à rien et attendez qu'elle ait atteint sa pleine vitesse. Abaissez ensuite doucement la poignée sur la position la plus basse tout en appliquant une pression parallèle à la lame. Lorsque la coupe est terminée, coupez le contact de l'outil et ATTENDEZ QUE LA LAME SE SOIT COMPLÈTEMENT ARRÊTÉE avant de ramener la lame en position complètement relevée.

ATTENTION :

- Assurez-vous toujours que la lame s'abaisse dans le sens du biseau lors d'une coupe en biseau. Gardez bien les mains à l'écart de la lame.
- Lors d'une coupe en biseau, il peut arriver que la pièce coupée vienne s'appuyer contre le côté de la lame. Si vous soulevez la lame alors qu'elle tourne encore, ce morceau risque d'être happé par la lame et ses fragments s'éparpilleront, ce qui est dangereux. La lame doit être relevée UNIQUEMENT après être arrivée à un arrêt complet.

- Lorsque vous abaissez la poignée, appliquez une pression parallèle à la lame. Si la pression n'est pas parallèle à la lame pendant la coupe, cela risque de modifier l'angle de la lame et d'affecter la précision de la coupe.
- (Pour l'Europe uniquement) orientez toujours le guide inférieur vers l'extérieur pour les coupes en biseau à gauche.

4. Coupe mixte

La coupe mixte consiste à appliquer un angle de biseau tout en effectuant une coupe d'onglet sur une pièce. La coupe mixte est possible à l'angle indiqué dans le tableau.

Angle de biseau	Angle d'onglet
45°	Gauche et Droite 0° – 45°

006366

Pour effectuer une coupe mixte, référez-vous aux explications des sections "Coupe sous presse", "Coupe d'onglet" et "Coupe en biseau".

5. Coupe de profilés d'aluminium (Fig. 40)

Lorsque vous immobilisez des profilés d'aluminium, utilisez des cales d'espacement ou des bouts de ferraille, tel qu'indiqué sur l'illustration, pour prévenir la déformation de l'aluminium. Utilisez aussi un lubrifiant de coupe lorsque vous sciez des profilés d'aluminium afin d'empêcher l'accumulation de particules d'aluminium sur la lame.

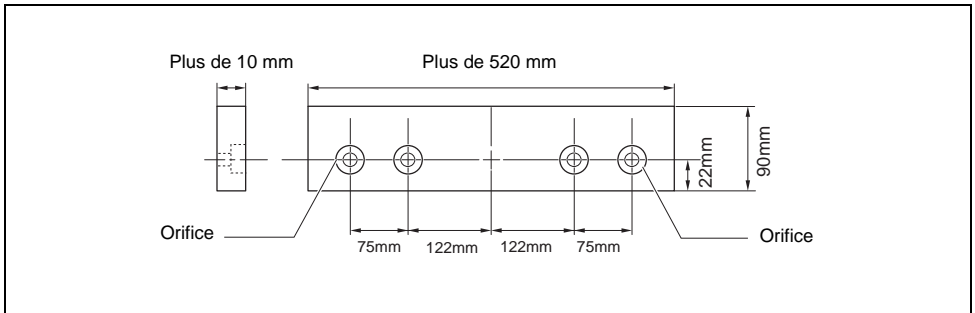
⚠ ATTENTION :

- N'essayez jamais de couper des profilés d'aluminium épais ou ronds. Les profilés d'aluminium épais risquent de se décaler durant l'opération, et les profilés d'aluminium ronds ne pourront pas être immobilisés de façon satisfaisante avec ce type d'étau.
- Ne jamais couper l'aluminium en mode de scie circulaire à table (scie d'établi).

6. Parement de bois

L'utilisation de parements de bois permet d'effectuer des coupes sans éclats. Fixez un parement de bois sur le guide en utilisant les orifices du guide.

Pour les dimensions recommandées du parement de bois, voir l'illustration.



015190

⚠ ATTENTION :

- Comme parement de bois, utilisez un morceau de bois droit d'épaisseur régulière.
- Utilisez des vis pour fixer le parement de bois au guide. Vous devez placer les vis de telle sorte que leurs têtes ne dépassent pas à la surface du parement de bois.
- Une fois le parement de bois fixé, ne tournez pas le socle rotatif avec le bras abaissé. Vous risqueriez d'endommager la lame et/ou le parement de bois.

COUPE EN MODE DE SCIE CIRCULAIRE À TABLE (SCIE D'ÉTABLI)

Lors de l'utilisation de l'outil en mode de scie circulaire à table (mode de scie d'établi), placez le carter de lame sur le socle rotatif de sorte que le carter de lame soit centré par rapport à la fente d'entrée de lame sur le socle rotatif, et que les deux petits bossages sur la face inférieure du carter de lame pénètrent dans la fente semi-circulaire à la périphérie du guide parallèle sur le socle rotatif, tel qu'illustré sur la figure, puis verrouillez la poignée sur sa position la plus basse en enfonçant complètement la broche d'arrêt. La table ne pourra être abaissée si le carter de lame n'est pas fixé. (Fig. 41)

Dans le cas des outils destinés à l'Europe, orientez le guide inférieur vers l'extérieur lorsque vous placez le carter de lame.

⚠ ATTENTION :

- Utilisez toujours des "dispositifs de protection" tels que bâtons poussoirs et blocs poussoirs lorsqu'il y a un risque que vos mains ou vos doigts ne s'approchent trop près de la lame.
- Immobilisez toujours fermement la pièce à travailler contre la table et le garde parallèle. Évitez de la plier ou de la tordre en faisant avancer l'outil. Il y a un risque de choc en retour dangereux si la pièce est pliée ou tordue.
- NE JAMAIS retirer la pièce alors que la lame tourne encore. Si vous devez retirer la pièce avant d'avoir terminé la coupe, coupez d'abord le contact de l'outil, en tenant fermement la pièce. Attendez que la lame se soit complètement arrêtée avant de retirer la pièce. Sinon, un dangereux choc en retour risque de se produire.
- NE JAMAIS retirer le bout de pièce coupé alors que la lame tourne encore.
- NE JAMAIS placer les mains ou les doigts dans la ligne de coupe de la lame.
- Immobilisez toujours le garde parallèle fermement, sinon un dangereux choc en retour risque de se produire.
- Utilisez toujours des "dispositifs de protection" tels que bâtons poussoirs ou blocs poussoirs lorsque vous coupez des pièces petites ou minces.

Dispositifs de protection

Les bâtons poussoirs, blocs poussoirs et gardes auxiliaires constituent des "dispositifs de protection". Utilisez-les pour effectuer des coupes en toute sûreté sans risque de toucher la lame avec une quelconque partie du corps.

Bloc poussoir (Fig. 42)

Utilisez une pièce de contreplaqué de 15 mm.

La poignée doit se trouver au centre de la pièce de contreplaqué. Fixez la pièce de contreplaqué avec de la colle et des vis à bois, tel qu'illustré. De petites pièces de bois de 10 mm x 9 mm x 30 mm doivent toujours être collées à la pièce de contreplaqué pour éviter que la lame ne s'émousse si l'utilisateur effectue la coupe dans le poussoir par accident.

(Ne jamais planter de clous dans le poussoir.)

Garde auxiliaire (Fig. 43 et 44)

Fabriquez une garde auxiliaire avec des pièces de contreplaqué de 10 mm et 15 mm.

Retirez le garde parallèle, la vis de serrage (A), la rondelle plate et l'écrou carré du support de garde parallèle, puis installez et immobilisez le garde auxiliaire sur le support de garde parallèle au moyen d'un boulon M6 plus long que M6 x 50, de rondelles et d'un écrou.

Sciage en long

⚠ ATTENTION :

• Une cale adéquate doit toujours être placée derrière la table lors de la coupe de pièces longues ou larges. NE PAS laisser un long panneau se déplacer ou bouger sur la table. La lame se coincerait et cela augmenterait les risques de choc en retour et de blessure. La cale doit être de la même hauteur que la table.

1. Réglez la profondeur de coupe sur une valeur un peu plus élevée que l'épaisseur de la pièce. Pour effectuer ce réglage, desserrez les deux leviers et abaissez ou élevez la table supérieure.
2. Placez le garde parallèle sur la position correspondant à la largeur désirée pour le sciage en long, et immobilisez-le en serrant la vis de serrage (A). Avant de procéder au sciage en long, assurez-vous que les deux vis du support de garde parallèle sont bien serrées. Si elles ne sont pas assez serrées, serrez-les à nouveau.
3. Mettez le contact et faites doucement avancer la pièce vers la lame, le long du garde parallèle.
 - (1) Si la largeur du sciage en long est de 40 mm ou plus, utilisez un bâton poussoir. (Fig. 45)
 - (2) Si la largeur du sciage en long est inférieure à 40 mm, il n'est pas possible d'utiliser le bâton poussoir puisqu'il frapperait contre le protecteur de lame supérieur. Utilisez le garde auxiliaire et un bloc poussoir.
Installez de façon sûre le garde auxiliaire qui se fixe au support de garde parallèle sur la table. Faites avancer la pièce avec la main jusqu'à ce que son extrémité se trouve à environ 25 mm du bord avant de la table supérieure. Continuez de faire avancer la pièce avec le bloc poussoir sur la face supérieure du garde auxiliaire, jusqu'à ce que la coupe soit terminée. (Fig. 46)

Transport de l'outil

Assurez-vous que l'outil est débranché. La table doit être fixée sur la position la plus élevée. Fixez la lame sur un angle de biseau de 0° et le socle rotatif complètement sur l'angle d'onglet de gauche. Abaissez complètement la poignée et verrouillez-la en position inférieure en enfonçant complètement la broche d'arrêt. (Fig. 47)
Saisissez l'outil par les deux côtés du socle pour le transporter, tel qu'indiqué sur l'illustration. L'outil sera plus facile à transporter si vous retirez les servantes, le sac à poussière, etc. (Fig. 48)

⚠ ATTENTION :

- Avant de transporter l'outil, immobilisez d'abord toutes ses pièces mobiles.

ENTRETIEN

⚠ ATTENTION :

- Assurez-vous toujours que l'outil est hors tension et débranché avant d'y effectuer tout travail d'inspection ou d'entretien.
- N'utilisez jamais d'essence, benzine, diluant, alcool ou autre produit similaire. Cela risquerait de provoquer la décoloration, la déformation ou la fissuration de l'outil.

⚠ AVERTISSEMENT :

- Assurez-vous toujours que la lame est bien affûtée et propre pour assurer un rendement optimal et une sécurité maximale.

Réglage de l'angle de coupe

L'outil a été soigneusement réglé et aligné en usine, mais une manipulation maladroite a pu dérégler l'alignement. Si l'outil n'est pas aligné correctement, effectuez les opérations suivantes:

1. Angle de coupe d'onglet

Desserrez le manche qui retient le socle rotatif. Tournez le socle rotatif de sorte que l'index pointe vers 0° sur le secteur. Serrez le manche et desserrez les boulons hexagonaux qui retiennent le guide à l'aide de la clé à douille. (Fig. 49)

Abaissez complètement la poignée et verrouillez-la en position abaissée en enfonçant la broche d'arrêt. Placez le côté de la lame à angle droit par rapport à la surface du guide à l'aide d'une règle triangulaire, d'une équerre de menuisier, etc. Vissez ensuite fermement les boulons hexagonaux du guide, dans l'ordre, en commençant du côté droit. (Fig. 50)

2. Angle de coupe en biseau

(1) Angle de coupe en biseau 0°

Abaissez complètement la poignée et verrouillez-la en position abaissée en enfonçant la broche d'arrêt. Desserrez le levier à l'arrière de l'outil.

Pour incliner la lame vers la droite, tournez de deux ou trois tours vers la droite le boulon de réglage de l'angle de coupe en biseau 0° du côté droit du socle rotatif. (Fig. 51)

Placez soigneusement le côté de la lame à angle droit par rapport à la surface supérieure du socle rotatif au moyen d'une règle triangulaire, d'une équerre de menuisier, etc., en tournant vers la gauche le boulon de réglage de l'angle de coupe en biseau 0°. (Fig. 52)

Vérifiez que l'index du socle rotatif indique 0° sur l'échelle du bras. S'il n'indique pas 0°, desserrez la vis qui retient l'index et ajustez ce dernier de telle sorte qu'il indique 0°. (Fig. 53)

(2) Angle de coupe en biseau 45°

Réglez l'angle de coupe en biseau 45° uniquement après avoir réglé l'angle de coupe en biseau 0°. Pour régler l'angle de coupe en biseau 45°, desserrez le levier et inclinez complètement la lame sur la gauche. Assurez-vous que l'index du bras indique 45° sur le secteur angulaire du bras. Si l'index n'indique pas 45°, tournez le boulon de réglage d'angle de coupe en biseau 45°, sur le côté gauche du bras, jusqu'à ce qu'il indique 45°. (Fig. 54)

Remplacement des charbons (Fig. 55 et 56)

Retirez et vérifiez les charbons régulièrement. Remplacez-les lorsqu'ils sont usés au point de n'avoir plus qu'une longueur de 3 mm. Gardez les charbons propres et libres de glisser dans les porte-charbons. Les deux charbons doivent être remplacés simultanément. Utilisez uniquement des charbons identiques.

Retirez les bouchons de porte-charbon à l'aide d'un tournevis. Enlevez les charbons usés, insérez les neufs et remettez en place les bouchons.

Après l'utilisation

- Après l'utilisation essuyez les copeaux et poussières qui adhèrent à l'outil à l'aide d'un chiffon ou d'un objet similaire. Gardez les protecteurs de lame propres, conformément aux instructions fournies dans la section précédente intitulée "Protecteur de lame". Lubrifiez les parties coulissantes avec de l'huile à machine pour prévenir la formation de rouille.

Pour assurer la SECURITE et la FIABILITE du produit, toute réparation et tout travail d'entretien ou de réglage doivent être effectués par un Centre d'Entretien autorisé Makita, avec des pièces de rechange Makita.

ACCESSOIRES EN OPTION**⚠ ATTENTION :**

- Les accessoires ou pièces supplémentaires qui suivent sont recommandés pour l'utilisation avec l'outil Makita spécifié dans ce manuel. L'utilisation de tout autre accessoire ou pièce supplémentaire peut comporter un risque de blessure. Utilisez uniquement l'accessoire ou la pièce supplémentaire dans le but spécifié.

Pour obtenir plus de détails sur ces accessoires, contactez votre Centre d'Entretien local Makita.

- Lames à dents d'acier et de carbure de tungstène
- Ensemble d'étau (étau horizontal)
- Étau vertical
- Clé à douille 13
- Jeu de servantes
- Sac à poussière
- Règle triangulaire
- Carter de lame
- Bâton poussoir
- Butée (garde parallèle)

NOTE :

- Il se peut que certains éléments de la liste soient compris dans l'emballage de l'outil en tant qu'accessoires standard. Ils peuvent varier d'un pays à l'autre.

Bruit

Niveau de bruit pondéré A typique, déterminé selon EN61029 :

Modèle LH1201FL 220 V – 240 V

Niveau de pression sonore (L_{pA}) : 93 dB (A)

Niveau de puissance sonore (L_{WA}) : 106 dB (A)

Incertitude (K) : 3 dB (A)

Modèle LH1201FL 110 V

Niveau de pression sonore (L_{pA}) : 95 dB (A)

Niveau de puissance sonore (L_{WA}) : 108 dB (A)

Incertitude (K) : 3 dB (A)

Porter des protecteurs anti-bruit

ENH003-15

Pour les pays d'Europe uniquement**Déclaration de conformité CE****Makita déclare que la (les) machine(s) suivante(s) :**

Désignation de la machine :

Scie à Onglets à Table Supérieure

N° de modèle/ Type : LH1201FL

sont conformes aux Directives européennes suivantes :

2006/42/CE

et sont fabriquées conformément aux normes ou aux documents normalisés suivants :

EN61029

La documentation technique conforme à la norme 2006/42/CE est disponible auprès de :

Makita, Jan-Baptist Vinkstraat 2, 3070, Belgique

31.7.2015



Yasushi Fukaya
Directeur

Makita, Jan-Baptist Vinkstraat 2, 3070, Belgique

Übersicht

1 Schraube	30 Außenflansch	58 Schraubstockstange
2 Untere Schutzhaube A	31 Innenflansch	59 Auflagebügel
3 Obere Schutzhaube	32 Spindel	60 Schraubstockknopf
4 Untere Schutzhaube B	33 Ring	61 Vorsprung
5 Schraube	34 Spaltkeil	62 Schraubstockspindel
6 Sechskantschraube	35 Andrückbereich	63 Grundplatte
7 Handgriff	36 Sechskantschrauben	64 Schraubstock
8 Hebel	37 Sägeblattbreite	65 Distanzblock
9 Drehteller-Oberfläche	38 Parallelanschlaghalter	66 Aluminium-Werkstoff
10 Sägeblattumfang	39 Führungsschiene auf dem oberen Tisch	67 Kleiner Vorsprung
11 Gehrungsanschlag	40 Klemmschraube (A)	68 Seitenfläche/Kante parallel
12 Zeiger	41 Klemmschraube (B)	69 Holzschraube
13 Verriegelungshebel	42 Parallelanschlag	70 Zusammenleimen
14 Griff	43 Ausrichtungslinie	71 Loch (7 mm Durchmesser)
15 Gehrungswinkelskala	44 Werkstück	72 Schiebestock
16 Neigungswinkelskala	45 Vierkantmutter	73 Hilfsanschlag
17 Ein-Aus-Schalter	46 Unterlegscheibe	74 Schiebeklotz
18 Lampenschalter	47 Maßstab	75 Einstelldreieck
19 Laserschalter	48 Einstellschraube	76 0°-Neigungswinkel-Einstellschraube
20 Lampe	49 Absaugstutzen	77 Drehteller-Oberfläche
21 Anschlagstift	50 Staubsack	78 Arm
22 Oberer Tisch	51 Verschluss	79 45°-Neigungswinkel-Einstellschraube
23 Motorgehäuse	52 Staubsauger	80 Schraubendreher
24 Mittenabdeckung	53 Sägeblattabdeckung	81 Bürstenhalterkappe
25 Steckschlüssel	54 Stütze	82 Knopf
26 Spindelarretierung	55 Drehteller	
27 Sägeblatt	56 Zusatzanschlag	
28 Sägeblattgehäuse	57 Schraubstockarm	
29 Pfeil		

TECHNISCHE DATEN

Modell	LH1201FL
Sägeblattdurchmesser	305 mm
Sägeblattdicke	1,9 mm oder weniger
Bohrungsdurchmesser	
Für alle Länder außerhalb Europas	25,4 mm
Für europäische Länder	30 mm
Max. Schnitttiefen (H x B) mit Sägeblatt von 305 mm Durchmesser im Gehrungssägenmodus	

Neigungswinkel	Gehrungswinkel	
	90°	45° (von links nach rechts)
90°	95 mm x 155 mm 62 mm x 200 mm	95 mm x 110 mm 62 mm x 135 mm
45°	64 mm x 155 mm 40 mm x 200 mm	64 mm x 65 mm 40 mm x 85 mm

Max. Schnitttiefen bei 90° im Tischsägenmodus (Banksägenmodus)	52 mm
Leerlaufdrehzahl (min ⁻¹)	3 800
Lasertyp	Roter Laser 650 nm, < 1 mW (Laserklasse 2)
Tischgröße (B x L)	307 mm x 465 mm
Abmessungen (L x B x H)	610 mm x 535 mm x 692 mm
Nettogewicht	20,9 kg
Sicherheitsklasse	II

- Wir behalten uns vor, Änderungen im Zuge der Entwicklung und des technischen Fortschritts ohne vorherige Ankündigung vorzunehmen.
- Die technischen Daten können von Land zu Land abweichen.
- Gewicht nach EPTA-Verfahren 01/2003

Vorgesehene Verwendung

Die Maschine ist für präzise Geradschnitte und (nur bei Einsatz als Gehrungssäge auf dem unteren Tisch) Gehrungsschnitte in Holz vorgesehen.

Stromversorgung

Die Maschine darf nur an die auf dem Typenschild angegebene Spannung angeschlossen werden und arbeitet nur mit Einphasen-Wechselspannung. Sie ist doppelt schutzisoliert und kann daher auch an Steckdosen ohne Erdanschluss betrieben werden.

Allgemeine Sicherheitswarnungen für Elektrowerkzeuge

⚠️ WARNUNG Lesen Sie alle Sicherheitswarnungen und Anweisungen durch. Eine Missachtung der unten aufgeführten Warnungen und Anweisungen kann zu einem elektrischen Schlag, Brand und/oder schweren Verletzungen führen.

Bewahren Sie alle Warnungen und Anweisungen für spätere Bezugnahme auf.

SICHERHEITSWARNUNGEN FÜR UNIVERSAL-KAPP- UND GEHRUNGSSÄGE

FÜR GEHRUNGS- UND TISCHSÄGENMODUS (BANKSÄGENMODUS)

1. Überprüfen Sie das Sägeblatt vor dem Betrieb sorgfältig auf Risse oder Verformung. Ersetzen Sie ein beschädigtes Sägeblatt unverzüglich.
2. Betreiben Sie die Säge nicht ohne Schutzvorrichtungen und Spaltkeil, besonders nach einem Betriebsartwechsel. Überprüfen Sie die Schutzhauben vor jeder Benutzung auf einwandfreies Schließen. Betreiben Sie die Säge nicht, wenn sich die Schutzhauben nicht ungehindert bewegen und unverzüglich schließen. Die Schutzhauben dürfen auf keinen Fall in der geöffneten Stellung festgeklemmt oder festgebunden werden. Funktionsstörungen der Schutzhauben müssen sofort behoben werden.
3. Verwenden Sie nur vom Hersteller vorgeschriebene Sägeblätter, die der EU-Norm EN847-1 entsprechen. Die Nutenbreite des Schnitts muss größer als die Dicke des Spaltkeils sein, und der Sägeblattkörper muss dünner als der Spaltkeil sein.
4. Verwenden Sie keine Sägeblätter aus Schnellstahl.
5. Tragen Sie einen Augenschutz.
6. Tragen Sie einen Gehörschutz, um die Gefahr von Gehörschädigung zu verringern.
7. Tragen Sie Handschuhe zur Handhabung von Sägeblättern (Sägeblätter sollten stets in einem Halter getragen werden, wenn praktikabel) und rauem Material.
8. Schließen Sie die Maschine beim Betrieb an eine Staubsammelvorrichtung an.
9. Bewahren Sie den Schiebstock stets sicher auf, wenn er nicht benutzt wird.
10. Halten Sie den Bodenbereich um die Maschinenebene aufgeräumt und frei von losen Teilen, wie z.B. Spänen und Sägeabfällen.

11. Die Bedienungsperson sollte in der Handhabung, Einstellung und Bedienung der Maschine hinreichend geschult sein.
12. Schalten Sie die Säge aus, und ziehen Sie den Netzstecker ab, wenn Sie die Säge unbeaufsichtigt lassen.
13. Um den erzeugten Geräuschpegel zu reduzieren, achten Sie stets darauf, dass das Sägeblatt scharf und sauber ist.
14. Verwenden Sie nur Sägeblätter, die mit einer Maximaldrehzahl markiert sind, die der an der Maschine angegebenen Leerlaufdrehzahl entspricht oder diese übertrifft.
15. Wenn die Maschine mit einem Laser oder einer LED ausgestattet ist, ersetzen Sie den Laser bzw. die LED nicht durch einen anderen Typ. Wenden Sie sich bezüglich einer Reparatur an ein autorisiertes Service-Center.
16. Entfernen Sie niemals Verschnitt oder andere Teile des Werkstücks vom Schnittbereich, während die Maschine mit ungeschütztem Sägeblatt läuft.
17. Die Maschine sollte nicht für Nutenfräsen, Falzfräsen oder Auskehlen verwendet werden.
18. Bevor Sie die Maschine tragen, sollten Sie stets den oberen Teil des Sägeblatts mit der oberen Schutzhaube abdecken und alle beweglichen Teile sichern. Verwenden Sie beim Anheben oder Tragen der Maschine nicht die Schutzhaube als Tragegriff.
19. Reinigen Sie die Spindel, die Flansche (besonders die Montagefläche) und die Sechskantschraube, bevor oder während Sie das Sägeblatt montieren, und achten Sie darauf, dass diese Teile nicht beschädigt werden. Eine Beschädigung dieser Teile kann zu einem Sägeblattbruch führen. Schlechte Montage kann Vibrieren/Flattern oder Schlupf des Sägeblatts verursachen. Verwenden Sie nur die für diese Maschine vorgeschriebenen Flansche.
20. Verwenden Sie immer die in dieser Anleitung empfohlenen Zubehörteile. Der Gebrauch ungeeigneten Zubehörs, z.B. von Trennscheiben, kann Verletzungen zur Folge haben.
21. Wählen Sie das korrekte Sägeblatt für das zu schneidende Material aus.
22. Schneiden Sie keine Metallgegenstände, wie z. B. Nägel oder Schrauben. Untersuchen Sie das Werkstück sorgfältig auf Nägel, Schrauben und sonstige Fremdkörper, und entfernen Sie diese vor der Bearbeitung.
23. Schlagen Sie etwaige lose Knorren aus dem Werkstück heraus, BEVOR Sie mit dem Sägen beginnen.
24. Benutzen Sie die Maschine nicht in Gegenwart von brennbaren Flüssigkeiten oder Gasen.
25. Säubern Sie den Arbeitsbereich und die Tischplatte sicherheitshalber von Spänen, Kleinteilen usw., bevor Sie die Maschine anschließen und mit der Arbeit beginnen.

26. Halten Sie Ihre Hände vom Sägeblatt fern, und achten Sie darauf, dass Umstehende und Sie selbst ausreichenden Abstand vom Sägeblatt haben und nicht in seiner Fluchtlinie stehen. Vermeiden Sie jegliche Berührung mit dem auslaufenden Sägeblatt. Es kann auch in diesem Zustand noch schwere Verletzungen verursachen. Fassen Sie auch niemals um das Sägeblatt.
27. Seien Sie stets wachsam, besonders bei sich dauernd wiederholenden, eintönigen Arbeiten. Lassen Sie sich nicht in ein trügerisches Sicherheitsgefühl wiegen. Sägeblätter kennen kein Erbarmen.
28. Vergewissern Sie sich vor dem Einschalten der Maschine, dass die Spindelarreterierung freigegeben ist.
29. Lassen Sie die Maschine vor dem eigentlichen Schneiden eines Werkstücks eine Weile laufen. Achten Sie auf Vibrationen oder Taumelbewegungen, die Anzeichen für schlechte Montage oder ein schlecht ausgewuchtetes Sägeblatt sein können.
30. Warten Sie, bis das Sägeblatt die volle Drehzahl erreicht hat, bevor Sie mit dem Schneiden beginnen.
31. Brechen Sie den Betrieb sofort ab, wenn Sie irgendetwas Ungewöhnliches bemerken.
32. Schalten Sie die Maschine aus und lassen Sie das Sägeblatt zum Stillstand kommen, bevor Sie das Werkstück bewegen oder Einstellungen ändern.
33. Trennen Sie die Maschine vom Stromnetz, bevor Sie das Sägeblatt wechseln und die Maschine warten oder stillsetzen.
34. Bei manchen Werkstoffen kann der beim Sägen erzeugte Staub Chemikalien enthalten, die erwiesenermaßen Krebs, Geburtsfehler oder Schäden an Fortpflanzungsorganen verursachen. Beispiele dieser Chemikalien sind wie folgt:
 - Blei in Lack mit Bleizusatz sowie
 - Arsen und Chrom in chemisch behandeltem Bauholz.
 Ihre Gefährdung durch den Umgang mit solchen Chemikalien hängt davon ab, wie oft Sie diese Arbeiten verrichten. Um Ihre Aussetzung zu diesen Chemikalien zu reduzieren: Arbeiten Sie in gut belüfteter Umgebung, und verwenden Sie geprüfte Sicherheitsvorrichtungen, wie z.B. Staubmasken, die mikroskopische Teilchen herausfiltern.
35. Selbst wenn die Maschine vorschriftsmäßig verwendet wird, ist es nicht möglich, alle Restrisikofaktoren zu eliminieren. Die folgenden Gefahren können in Verbindung mit der Konstruktion und Auslegung der Maschine auftreten:
 - Gesundheitsschäden durch Hand/Arm-Vibrationen bei längerer Benutzung des Elektrowerkzeugs und falscher Bedienung oder Wartung.
 - Verletzungen oder Schäden durch lockere Maschinenvorrichtungen, die aufgrund plötzlicher Beschädigung, Verschleiß oder unsachgemäßer Montage unerwartet aus dem Elektrowerkzeug herausrutschen können.

BEIM BETRIEB IM GEHRUNGSSÄGENMODUS:

36. Wechseln Sie die Schlitzplatte bei Verschleiß aus.
37. Verwenden Sie einen Schiebestock oder -klotz, um zu vermeiden, dass Ihre Hände und Finger in die Nähe des Sägeblatts kommen.
38. Vergewissern Sie sich, dass der Arm einwandfrei gesichert ist, wenn Sie Neigungsschnitte ausführen. Ziehen Sie den Hebel zur Sicherung des Arms im Uhrzeigersinn an.
39. Führen Sie keine freihändigen Arbeiten aus. Das Werkstück muss bei allen Operationen mit dem Schraubstock fest gegen Drehteller und Gehrungsanschlag gesichert werden. Sichern Sie das Werkstück niemals nur mit Ihrer Hand.
40. Vergewissern Sie sich vor jedem Schnitt, dass die Maschine stabil ist.
41. Befestigen Sie die Maschine nötigenfalls an einer Werkbank.
42. Stützen Sie lange Werkstücke mit geeigneten Zusatzstützen ab.
43. Schneiden Sie niemals kleine Werkstücke, die nicht sicher in den Schraubstock eingespannt werden können. Ein unzureichend gesichertes Werkstück kann Rückschlag und schweren Personenschaden verursachen.
44. Verwenden Sie die Säge nur zum Schneiden von Holz, Aluminium oder ähnlichen Materialien.
45. Vergewissern Sie sich, dass der Drehteller einwandfrei gesichert ist, damit er sich während des Betriebs nicht bewegt.
46. Vergewissern Sie sich, dass das Sägeblatt in der Tiefstellung nicht den Drehteller berührt und vor dem Einschalten der Maschine nicht mit dem Werkstück in Berührung ist.
47. Halten Sie den Handgriff sicher fest. Beachten Sie, dass sich die Säge beim Anlaufen und Abstellen geringfügig nach oben oder unten bewegt.

BEIM BETRIEB IM TISCHSÄGENMODUS (BANKSÄGENMODUS):

48. Vergewissern Sie sich, dass der Arm einwandfrei in der Arbeitsstellung gesichert ist. Ziehen Sie den Hebel zur Sicherung des Arms im Uhrzeigersinn an.
49. Vergewissern Sie sich, dass der Banksägentisch einwandfrei in der gewünschten Höhe festgestellt ist.
50. Führen Sie keine freihändigen Arbeiten aus. Mit freihändig ist die Verwendung nur der Hände anstelle eines Parallelenschlags zum Halten oder Führen des Werkstücks gemeint.
51. Vergewissern Sie sich vor dem Einschalten der Maschine, dass das Sägeblatt nicht den Spaltkeil oder das Werkstück berührt.

52. Beachten Sie besonders die Anweisungen zur Verringerung der Gefahr von RÜCKSCHLAG. RÜCKSCHLAG ist eine plötzliche Reaktion auf ein klemmendes, schleifendes oder versetztes Sägeblatt. RÜCKSCHLAG verursacht das Auswerfen des Werkstücks aus der Maschine nach hinten in Richtung der Bedienungsperson. RÜCKSCHLAG KANN ZU SCHWEREN VERLETZUNGEN FÜHREN. Vermeiden Sie RÜCKSCHLAG, indem Sie das Sägeblatt scharf halten, den Parallelanschlag parallel zum Sägeblatt halten, den Spaltkeil und die Schutzhaube anbringen und in einwandfreiem Betriebszustand halten, das Werkstück nicht eher loslassen, bis es vollkommen am Sägeblatt vorbeigeschoben ist und Werkstücke, die verdreht oder verzogen sind oder keine gerade Kante zur Führung entlang dem Parallelanschlag haben, nicht längssägen.
53. Vermeiden Sie ruckartiges oder zu schnelles Vorschieben. Schieben Sie harte Werkstücke möglichst langsam vor. Unterlassen Sie Biegen oder Verdrehen des Werkstücks während des Vorschubs. Falls das Sägeblatt im Werkstück hängen bleibt oder sich verklemmt, schalten Sie die Maschine sofort aus. Trennen Sie die Maschine vom Stromnetz. Befreien Sie dann das Sägeblatt.

BEWAHREN SIE DIESE HINWEISE SORGFÄLTIG AUF.

⚠️ WARNUNG:

Lassen Sie sich NICHT durch Bequemlichkeit oder Vertrautheit mit dem Produkt (durch wiederholten Gebrauch erworben) von der strikten Einhaltung der Sicherheitsregeln für das vorliegende Produkt abhalten. MISSBRAUCH oder Missachtung der Sicherheitsvorschriften in dieser Anleitung können schwere Verletzungen verursachen.

INSTALLATION

⚠️ VORSICHT:

- Halten Sie den Bodenbereich um die Maschinenebene aufgeräumt und frei von losen Teilen, wie z.B. Spänen und Sägeabfällen.

Werkbankmontage (Abb. 1)

Diese Maschine sollte unter Verwendung der Schraubenbohrungen in der Grundplatte mit zwei Schrauben auf einer ebenen und stabilen Oberfläche befestigt werden. Dadurch werden Umkippen und mögliche Verletzungen vermieden.

FUNKTIONSBESCHREIBUNG

⚠️ VORSICHT:

- Vergewissern Sie sich vor jeder Einstellung oder Funktionsprüfung der Maschine stets, dass sie ausgeschaltet und vom Stromnetz getrennt ist.

Schutzhaube (Abb. 2 und 3)

⚠️ VORSICHT:

- Vergewissern Sie sich, dass der Handgriff nicht abgesenkt werden kann, ohne den Hebel in seiner Nähe nach links zu drücken.

- Vergewissern Sie sich, dass sich die unteren Schutzhauben A und B nur öffnen, wenn der Hebel am Handgriff in der Hochstellung des Handgriffs gedrückt wird.

Wenn der Handgriff abgesenkt wird, während der Hebel nach links gedrückt wird, hebt sich die untere Schutzhaube A automatisch. Die unteren Schutzhauben sind gefedert, so dass sie in ihre Ausgangsstellung zurückkehren, wenn der Schnitt vollendet ist und der Handgriff angehoben wird. Die obere Schutzhaube fällt flach auf die Oberseite, nachdem das Werkstück unter ihr hindurchgeschoben worden ist. **AUF KEINEN FALL DÜRFEN DIE UNTEREN SCHUTZHAUBEN, DIE AN DER UNTEREN SCHUTZHAUBE ANGEBRACHTE FEDER ODER DIE OBERE SCHUTZHAUBE FUNKTIONSFÄHIG GEMACHT ODER ENTFERNT WERDEN.**

Im Interesse Ihrer eigenen Sicherheit sollten Sie die Schutzhauben stets in ordnungsgemäßem Zustand halten. Funktionsstörungen der Schutzhauben müssen sofort behoben werden. Überprüfen Sie die gefederte Rückkehrbewegung der unteren Schutzhauben. **BENUTZEN SIE DIE MASCHINE NIEMALS MIT BESCHÄDIGTER, DEFEKTER ODER FEHLENDER UNTERER SCHUTZHAUBE, FEDER ODER OBERER SCHUTZHAUBE. DIES IST ÄUSSERST GEFÄHRLICH UND KANN SCHWERE VERLETZUNGEN VERURSACHEN.** Wenn eine dieser transparenten Schutzhauben schmutzig wird oder soviel Sägemehl an ihr haftet, dass das Sägeblatt nicht mehr ohne weiteres sichtbar ist, sollten Sie die Säge vom Stromnetz trennen und die Schutzhaube mit einem feuchten Tuch sorgfältig reinigen. Verwenden Sie keine Lösungsmittel oder Reinigungsmittel auf Petroleumbasis zum Reinigen der Kunststoff-Schutzhaube.

Falls die untere Schutzhaube A besonders stark verschmutzt und die Sicht durch die Schutzhaube behindert ist, gehen Sie folgendermaßen vor. Fixieren Sie den oberen Tisch am oberen Anschlag, heben Sie den Handgriff vollständig an, drücken Sie den Anschlagstift bei vollständig angehobenem Handgriff hinein, und lösen Sie mit dem mitgelieferten Steckschlüssel die Sechskantschraube, mit der die Mittenabdeckung befestigt ist. Lösen Sie die Sechskantschraube durch Drehen entgegen dem Uhrzeigersinn, und heben Sie die untere Schutzhaube A und die Mittenabdeckung an, während Sie den Hebel nach links drücken. In dieser Stellung der unteren Schutzhaube A kann die Reinigung gründlicher und effizienter durchgeführt werden. Wenden Sie nach der Reinigung das obige Demontageverfahren umgekehrt an, und ziehen Sie die Schraube an.

Tritt der oben beschriebene Fall für die obere Schutzhaube ein, lösen Sie die Halteschraube mit einem Schraubendreher, und nehmen Sie die obere Schutzhaube ab. Befestigen Sie die Schutzhaube nach der Reinigung stets einwandfrei, indem Sie die Schraube so weit anziehen, dass sich die obere Schutzhaube ungehindert auf und ab bewegt.

Sollte sich eine dieser Schutzhauben durch Alterung oder UV-Strahlung verfärben, bestellen Sie eine neue Schutzhaube bei einer Makita-Kundendienststelle. **DIE SCHUTZHAUBEN DÜRFEN NICHT FUNKTIONSFÄHIG GEMACHT ODER ENTFERNT WERDEN.**

Aufrechterhaltung der maximalen Schnittleistung (Abb. 4)

Diese Maschine wurde werkseitig so eingestellt, dass die maximale Schnittleistung mit einem Sägeblatt von 305 mm Durchmesser erreicht wird.

⚠ VORSICHT:

- Vergewissern Sie sich nach der Montage eines neuen Sägeblatts stets, dass das Sägeblatt in der Tiefstellung des Handgriffs keinen Teil des Auflagetisches berührt. Führen Sie diese Überprüfung immer bei abgezogener Netzstecker durch.

Einstellen des Gehrungswinkels (Abb. 5)

Lösen Sie den Griff durch Linksdrehung. Drehen Sie den Drehteller, während Sie den Verriegelungshebel niederdrücken. Bewegen Sie den Griff, bis der Zeiger auf den gewünschten Winkel der Gehrungswinkelskala zeigt, und ziehen Sie dann den Griff durch Rechtsdrehung fest.

⚠ VORSICHT:

- Bringen Sie den Handgriff in die Hochstellung, bevor Sie den Drehteller drehen.
- Sichern Sie den Drehteller nach jeder Änderung des Gehrungswinkels stets durch Anziehen des Griffs gegen Verdrehen.

Einstellen des Neigungswinkels (Abb. 6 und 7)

Um den Neigungswinkel einzustellen, lösen Sie den Hebel auf der Rückseite der Maschine durch Linksdrehen.

Schwenken Sie den Handgriff nach links, um den Sägekopf zu neigen, bis der Zeiger auf den gewünschten Winkel der Neigungswinkelskala zeigt. Ziehen Sie dann den Verriegelungshebel durch Rechtsdrehen fest, um den Arm einwandfrei zu sichern.

⚠ VORSICHT:

- Bringen Sie den Handgriff in die Hochstellung, bevor Sie das Sägeblatt neigen.
- Sichern Sie den Arm nach jeder Änderung des Neigungswinkels stets durch Anziehen des Hebels im Uhrzeigersinn.

Schalterfunktion (Abb. 8)

⚠ VORSICHT:

- Vergewissern Sie sich vor dem Betrieb, dass sich die Maschine einwandfrei ein- und ausschalten lässt.

Drücken Sie zum Einschalten der Maschine den Einschaltknopf (I). Drücken Sie zum Ausschalten den Ausschaltknopf (O).

Ein- und Ausschalten der Lampen (Abb. 9)

Drücken Sie den Schalter zum Einschalten der Lampe nach oben, und zum Ausschalten nach unten.

⚠ VORSICHT:

- Blicken Sie nicht direkt in die Lampe oder die Lichtquelle.

HINWEIS:

- Wischen Sie Schmutz auf der Lampenlinse mit einem trockenen Tuch ab. Achten Sie sorgfältig darauf, dass Sie die Lampenlinse nicht verkratzen, weil sich sonst die Lichtstärke verringert.

Laserstrahlbenutzung (Abb. 10)

⚠ VORSICHT:

- **LASERSTRAHLUNG**
Nicht in den Lichtstrahl blicken.

Um den Laserstrahl einzuschalten, drücken Sie den oberen Teil (I) des Schalters. Um den Laserstrahl auszuschalten, drücken Sie den unteren Teil (O) des Schalters.

Einstellen der Hebung und Senkung des oberen Tisches (Abb. 11)

Um die Höhe des oberen Tisches einzustellen, lösen Sie die zwei Hebel durch Linksdrehen, und drehen Sie dann den Knopf. Zum Anheben des oberen Tisches drehen Sie den Knopf im Uhrzeigersinn. Zum Absenken des oberen Tisches drehen Sie den Knopf entgegen dem Uhrzeigersinn. Ziehen Sie diese Hebel nach der Einstellung wieder fest.

⚠ WARNUNG:

- Heben Sie den oberen Tisch auf die Höchststellung an, um die Maschine im Gehrungssägenmodus zu betreiben, und stellen Sie ihn im Tischsägenmodus (Banksägenmodus) auf die gewünschte Höhe ein.

MONTAGE

⚠ VORSICHT:

- Vergewissern Sie sich vor der Ausführung von Arbeiten an der Maschine stets, dass sie ausgeschaltet und vom Stromnetz getrennt ist.

Montieren und Demontieren des Sägeblatts

⚠ VORSICHT:

- Vergewissern Sie sich vor der Montage oder Demontage des Sägeblatts stets, dass die Maschine ausgeschaltet und vom Stromnetz getrennt ist.
- Verwenden Sie nur den mitgelieferten Makita-Steckschlüssel zum Montieren und Demontieren des Sägeblatts. Anderenfalls besteht die Gefahr, dass die Sechskantschraube zu fest oder unzureichend angezogen wird. Dies könnte zu einer Verletzung führen.

Sichern Sie den oberen Tisch in der Höchststellung. Arretieren Sie den Handgriff durch Hineinschieben des Anschlagstifts in der Hochstellung. **(Abb. 12)**

Lösen Sie dann die Sechskantschraube, mit der die Mittenabdeckung befestigt ist, durch Linksdrehung mit dem Steckschlüssel. Heben Sie die untere Schutzhaube A und die Mittenabdeckung an, während Sie den Hebel am Handgriff nach links drücken. **(Abb. 13 und 14)**

Blockieren Sie die Spindel durch Drücken der Spindelarretierung, und lösen Sie die Sechskantschraube (linksgängig) durch Rechtsdrehung des Steckschlüssels. Entfernen Sie dann Sechskantschraube, Außenflansch und Sägeblatt. **(Abb. 15)**

Zum Montieren schieben Sie das Sägeblatt vorsichtig auf die Spindel, wobei Sie darauf achten, dass der Pfeil auf dem Sägeblatt in dieselbe Richtung zeigt wie der Pfeil auf der Schutzhaube. Bringen Sie Außenflansch und Sechskantschraube an, und ziehen Sie dann die Sechskantschraube (linksgängig) bei gedrückter Spindelarretierung durch Linksdrehung des Steckschlüssels fest. **(Abb. 16 und 17)**

⚠ VORSICHT:

- Der Ring von 25,4 mm oder 30 mm Außendurchmesser wurde werksseitig auf die Spindel montiert. Bevor Sie das Sägeblatt an der Spindel anbringen, sollten Sie sich stets vergewissern, dass der korrekte Ring für die Spindelbohrung des zu benutzenden Sägeblatts auf die Spindel montiert ist. **(Abb. 18)**

Bringen Sie die untere Schutzhaube A und die Mittenabdeckung wieder in ihre Ausgangsstellung. Ziehen Sie dann die Sechskantschraube zur Sicherung der Mittenabdeckung im Uhrzeigersinn an. Heben Sie die untere Schutzhaube B bis zum Anschlag an, und ziehen Sie die Klemmschraube fest an, während Sie die Schutzhaube in der angehobenen Stellung halten. Senken Sie den Handgriff ab, um zu prüfen, ob sich die unteren Schutzhauben einwandfrei bewegen. Vergewissern Sie sich vor der Benutzung der Maschine, dass die Spindelarretierung gelöst ist.

Einstellen des Spaltkeils

Bevor Sie den Spaltkeil einstellen, lösen Sie die beiden Hebel durch Linksdrehen, und senken Sie den oberen Tisch auf seine Tiefstellung ab, indem Sie den Knopf entgegen dem Uhrzeigersinn drehen. Sichern Sie dann den oberen Tisch, indem Sie die zwei Hebel wieder fest anziehen, wie in der Abbildung gezeigt. **(Abb. 19)**

Es muss ein Abstand von etwa 4 – 5 mm zwischen dem Spaltkeil und den Sägeblattzähnen vorhanden sein. Stellen Sie den Spaltkeil entsprechend ein, indem Sie die zwei Sechskantschrauben durch Linksdrehen mit dem Steckschlüssel lösen und den Abstand messen. Ziehen Sie die Sechskantschrauben fest an, und stellen Sie dann sicher, dass die obere Schutzhaube einwandfrei funktioniert, bevor Sie mit dem Sägen beginnen. **(Abb. 20)**

Der Spaltkeil ist werksseitig so eingestellt worden, dass sich Sägeblatt und Spaltkeil auf einer geraden Linie befinden. **(Abb. 21)**

⚠ VORSICHT:

- Falls Sägeblatt und Spaltkeil nicht einwandfrei fluchten, kann es während des Betriebs zu einer gefährlichen Klemmwirkung kommen. Vergewissern Sie sich, dass sich der Spaltkeil bei Draufsicht zwischen den beiden Außenkanten der Sägeblattzähne befindet. Wird die Maschine ohne korrekt ausgerichteten Spaltkeil benutzt, kann es zu schweren Verletzungen kommen. Sind die Teile aus irgendeinem Grund nicht ausgerichtet, lassen Sie unbedingt eine Reparatur von einer autorisierten Makita-Kundendienststelle durchführen.
- Der Spaltkeil darf nicht entfernt werden.

Installieren und Einstellen des Parallelanschlags

1. Befestigen Sie den Parallelansschlag so am Tisch, dass der Parallelanschlaghalter auf der Führungsschiene ruht. Ziehen Sie die Klemmschraube (B) des Parallelanschlags fest im Uhrzeigersinn an.
2. Lösen Sie die Klemmschraube (A).
3. Verschieben Sie den Parallelansschlag und befestigen Sie ihn so, dass das von Ihnen abgewandte Ende auf den Punkt ausgerichtet ist, an dem die Vorderkante des Sägeblatts gerade auf der Oberseite des Werkstücks erscheint. Der Zweck dieser Einstellung besteht darin, die Gefahr eines Rückschlags in Richtung der Bedienungsperson zu reduzieren, bei dem das vom Werkstück abgeschnittene Stück zwischen Sägeblatt und Parallelansschlag eingeklemmt und zur Bedienungsperson herausgeschleudert wird. Die Lage der Linie 3 hängt von der Dicke des Werkstücks oder der Tischhöhe ab. Stellen Sie die Position des Parallelanschlags entsprechend der Dicke des Werkstücks ein. Nachdem Sie den Parallelansschlag eingestellt haben, ziehen Sie die Klemmschraube (A) wieder fest an. **(Abb. 22 und 23)**

HINWEIS:

- Bei Verwendung eines Gehrungssägenmodus muss der Parallelansschlag links vom Sägeblatt montiert werden. **(Abb. 24)**

HINWEIS:

- Es gibt vier Muster zur Positionierung des Parallelanschlags, wie in der Abbildung gezeigt. **(Abb. 25)** Der Parallelansschlag besitzt zwei Schlitzlöcher in seinen Seitenflächen, einer mit erhöhtem Rand auf der gleichen Seite, und einer ohne Rand. Die mit diesem Rand versehene Fläche des Parallelanschlags sollte nur dann zum Werkstück weisen, wenn ein Stück eines dünnen Werkstücks abgeschnitten wird.

HINWEIS:

- Um das Parallelanschlagmuster zu ändern, entfernen Sie den Parallelansschlag vom Halter, indem Sie die Klemmschraube (A) lösen, und ändern Sie die Ausrichtung des Parallelanschlags zum Halter, so dass je nach der anstehenden Arbeit die entsprechende Seite zum Halter weist, wie in der Abbildung gezeigt. Führen Sie die Vierkantmutter am Parallelanschlaghalter in das hintere Ende des jeweiligen Schlitzes im Parallelanschlag ein, so dass sie die in der Abbildung gezeigte Position hat.

Um das Muster von A oder B nach C oder D oder umgekehrt zu ändern, entfernen Sie Vierkantmutter, Unterlegscheibe und Klemmschraube (A) vom Parallelanschlaghalter, und bringen Sie dann Klemmschraube (A), Unterlegscheibe und Vierkantmutter auf der entgegengesetzten Seite der ursprünglichen Position an. Ziehen Sie die Klemmschraube (A) fest an, nachdem Sie die Vierkantmutter des Parallelanschlaghalters in den Schlitz des Parallelanschlags eingeführt haben. Führen Sie die Vierkantmutter am Parallelanschlaghalter in das hintere Ende des jeweiligen Schlitzes im Parallelanschlag ein, so dass sie die in der Abbildung gezeigte Position hat. **(Abb. 26)**

Der Parallelansschlag ist werksseitig so eingestellt, dass er parallel zur Sägeblattfläche liegt. Vergewissern Sie sich, dass er parallel ist. Um sicherzustellen, dass der Parallelansschlag parallel zum Sägeblatt ist, senken Sie den Tisch auf die Tiefstellung ab, so dass das Sägeblatt am weitesten vom Tisch übersteht. Markieren Sie einen der Sägeblattzähne mit einem Buntstift. Messen Sie die Abstände (A) und (B) zwischen Parallelanschlag und Sägeblatt. Verwenden Sie für beide Messungen den markierten Zahn. **(Abb. 27)** Diese beiden Messungen müssen identisch sein. Ist der Parallelanschlag nicht parallel zum Sägeblatt, gehen Sie wie folgt vor: **(Abb. 28)**

- (1) Drehen Sie die Einstellschrauben entgegen dem Uhrzeigersinn.
- (2) Verschieben Sie die Hinterkante des Parallelanschlags geringfügig nach rechts oder links, bis er parallel zum Sägeblatt ist.
- (3) Ziehen Sie die Einstellschraube am Parallelanschlag fest an.

⚠ VORSICHT:

- Stellen Sie den Parallelanschlag unbedingt parallel zum Sägeblatt ein, weil sonst eine gefährliche Rückschlagsituation eintreten kann.
- Stellen Sie den Parallelanschlag so ein, dass er nicht mit der oberen Schutzhaube oder dem Sägeblatt in Berührung kommt. **(Abb. 29)**

Staubsaack

Der Staubsaack ermöglicht sauberes Arbeiten und einfaches Staubsammeln. Zum Anbringen wird der Staubsaack auf den Absaugstutzen geschoben. (Abb. 30)

HINWEIS:

- Bringen Sie den Staubsaack im Gehrungssägenmodus immer nur am rückseitigen Absaugstutzen an.

Wenn der Staubsaack etwa halb voll ist, nehmen Sie ihn von der Maschine ab und ziehen den Verschluss heraus. Entleeren Sie den Staubsaack, indem Sie ihn leicht abklopfen, um die an den Innenflächen haftenden Staubpartikel, die den Durchlass behindern können, zu lösen. (Abb. 31)

Wenn Sie einen Staubsauger an Ihre Säge anschließen, können Sie noch effizienter und sauberer arbeiten. Bei Verwendung im Tischsägegenmodus ist ein Staubsauger anzuschließen.

Tischsägegenmodus (Abb. 32)

Gehrungssägenmodus (Abb. 33)

Um die Sägeblattabdeckung bei Verwendung im Tischsägegenmodus (Banksägegenmodus) zu installieren, stellen Sie den Drehteller auf den 0°-Gehrungswinkel ein (siehe den Abschnitt "Einstellen des Gehrungswinkels"), bringen Sie die Sägeblattabdeckung so am Drehtisch an, dass die Sägeblattabdeckung über dem Sägeblattschlitz des Drehtisches zentriert ist, und verriegeln Sie dann den Handgriff in der Tiefstellung, indem Sie den Anschlagstift vollständig hineindrücken, wie in der Abbildung gezeigt.

HINWEIS:

- Wenn Sie die Maschine im Tischsägegenmodus (Banksägegenmodus) verwenden, achten Sie darauf, dass die Sägeblattabdeckung am Drehtisch angebracht ist.

Sicherung von Werkstücken

Spannen Sie das Werkstück nach Möglichkeit in den optionalen Schraubstock ein. Wenn Sie das Werkstück mit der Hand halten müssen, halten Sie es mit festem Griff, damit Sie nicht die Kontrolle über das Werkstück verlieren. Halten Sie Hand und Arm vom Sägeblattbereich fern (mindestens 100 mm). Drücken Sie das Werkstück fest gegen den Gehrungsanschlag, indem Sie mit Ihren Fingern über den Gehrungsanschlag greifen. Das Werkstück muss auch fest auf dem Drehteller aufliegen.

⚠️ WARNUNG:

- Halten Sie ein Werkstück, bei dem Ihre Hand näher als 100 mm an den Sägeblattbereich herankommt, niemals mit der Hand. Sichern Sie das Werkstück in diesem Fall immer mit dem optionalen Schraubstock. Heben Sie das Sägeblatt nach jedem Schneidvorgang sachte an. Heben Sie das Sägeblatt erst an, nachdem es zum völligen Stillstand gekommen ist. Anderenfalls kann es zu schweren Verletzungen kommen.

⚠️ VORSICHT:

- Wenn Sie lange Werkstücke schneiden, verwenden Sie Stützen, die ebenso hoch sind wie die Oberseite des Drehtellers. Verlassen Sie sich nicht nur auf den Vertikal- und/oder Horizontalschraubstock (optional) zur Sicherung des Werkstücks. (Abb. 34)
Dünnes Material neigt zum Durchhängen. Stützen Sie das Werkstück auf seiner gesamten Länge ab, um Klemmen des Sägeblatts und möglichen RÜCKSCHLAG zu vermeiden.

Zusatzanschlag (nur für europäische Länder)

(Abb. 35)

Diese Maschine ist mit einem Zusatzanschlag ausgestattet. Der Zusatzanschlag ist normalerweise innen zu positionieren. Zur Durchführung von linksseitigen Neigungsschnitten ist er jedoch nach außen zu klappen.

⚠️ VORSICHT:

- Klappen Sie den Zusatzanschlag zur Durchführung von linksseitigen Neigungsschnitten nach außen. Anderenfalls kommt er mit dem Sägeblatt oder einem anderen Teil der Maschine in Berührung, was schwere Verletzungen der Bedienungsperson zur Folge haben kann.

Vertikal-Schraubstock (Abb. 36)

Der Vertikal-Schraubstock kann an zwei Positionen entweder auf der linken oder rechten Seite des Gehrungsanschlags montiert werden. Setzen Sie die Schraubstockstange in die Bohrung des Gehrungsanschlags oder der Auflageplatte ein, und sichern Sie sie durch Anziehen der Schraube.

Stellen Sie den Schraubstockarm auf die Abmessungen des Werkstücks ein, und sichern Sie ihn durch Anziehen der Schraube. Falls die Befestigungsschraube des Schraubstockarms mit dem Gehrungsanschlag in Berührung kommt, installieren Sie die Schraube auf der entgegengesetzten Seite des Schraubstockarms. Vergewissern Sie sich, dass keine Maschinenteile mit dem Schraubstock in Berührung kommen, wenn der Handgriff auf die Tiefstellung abgesenkt wird. Falls irgendwelche Teile mit dem Schraubstock in Berührung kommen, ist der Schraubstock zu versetzen.

Drücken Sie das Werkstück flach gegen Gehrungsanschlag und Drehteller. Bringen Sie das Werkstück in die gewünschte Schnittposition, und sichern Sie es einwandfrei durch Anziehen des Schraubstockknopfes.

⚠️ VORSICHT:

- Das Werkstück muss fest an Drehteller und Gehrungsanschlag anliegend gesichert werden.

Horizontal-Schraubstock (Sonderzubehör)

(Abb. 37)

Der Horizontal-Schraubstock kann entweder auf der linken oder rechten Seite des Auflageschneides montiert werden. Wenn Gehrungsschnitte in einem Winkel von 30° oder mehr ausgeführt werden, ist der Horizontal-Schraubstock auf der entgegengesetzten Seite der Drehteller-Drehrichtung zu montieren. Durch Linksdrehung des Schraubstockknopfes wird die Schraube gelöst, so dass der Schraubstock schnell vor- und zurückgeschoben werden kann. Durch Rechtsdrehen des Schraubstockknopfes bleibt die Schraube gesichert. Drehen Sie den Schraubstockknopf zum Einspannen von Werkstücken sachte im Uhrzeigersinn, bis der Vorsprung seine Höchstposition erreicht, und ziehen Sie ihn dann fest. Wird der Schraubstockknopf während der Rechtsdrehung hineingedrückt oder herausgezogen, bleibt der Vorsprung eventuell schräg stehen. Drehen Sie den Schraubstockknopf in diesem Fall entgegen dem Uhrzeigersinn zurück, bis sich die Schraube löst, bevor Sie ihn wieder sachte im Uhrzeigersinn drehen. Werkstücke von maximal 200 mm Breite können mit dem Horizontal-Schraubstock eingespannt werden.

BETRIEB

⚠️ WARNUNG:

- Wenn Sie die Maschine im Gehrungssägenmodus verwenden, sichern Sie den oberen Tisch in der Höchststellung, damit das Sägeblatt nicht über die Oberfläche des oberen Tisches hinausragt.

⚠️ VORSICHT:

- Lösen Sie den Handgriff vor der Benutzung unbedingt aus der Tiefstellung, indem Sie den Anschlagstift herausziehen.
- Vergewissern Sie sich vor dem Einschalten der Maschine, dass das Sägeblatt nicht das Werkstück usw. berührt.

VERWENDUNG ALS GEHRUNGSSÄGE

⚠️ VORSICHT:

- Üben Sie beim Schneiden keinen übermäßigen Druck auf den Handgriff aus. Zu starker Druck kann zu Überlastung des Motors und/oder verminderter Schnittleistung führen. Drücken Sie den Handgriff nur mit so viel Kraft nieder, wie für reibungslosen Sägebetrieb notwendig ist, ohne einen beträchtlichen Abfall der Sägeblattzahl zu verursachen.
- Drücken Sie den Handgriff zur Ausführung des Schnitts sanfter nieder. Bei zu großer oder seitlicher Kraftausübung kann das Sägeblatt in Schwingung versetzt werden, wodurch zusätzliche Sägespuren im Werkstück erzeugt werden und die Schnittgenauigkeit beeinträchtigt wird.

1. Kappschnitt (Abb. 38)

Legen Sie das Werkstück auf den Gehrungsanschlag und den Drehtisch auf. Spannen Sie das Werkstück mit dem Schraubstock ein. Schalten Sie die Maschine ein, ohne dass das Sägeblatt Kontakt hat, und warten Sie, bis es seine volle Drehzahl erreicht, bevor Sie es absenken. Senken Sie dann den Handgriff zum Schneiden des Werkstücks sanft bis auf die Tiefstellung ab. Sobald der Schnitt beendet ist, schalten Sie die Maschine aus, und WARTEN SIE, BIS DAS SÄGEBLATT ZUM VÖLLIGEN STILLSTAND GEKOMMEN IST, bevor Sie den Sägekopf wieder ganz anheben.

2. Gehrungsschnitt

Nehmen Sie auf den vorherigen Abschnitt "Einstellen des Gehrungswinkels" Bezug.

3. Neigungsschnitt (Abb. 39)

Lösen Sie den Hebel, und neigen Sie das Sägeblatt auf den gewünschten Neigungswinkel (siehe den obigen Abschnitt "Einstellen des Neigungswinkels"). Ziehen Sie den Hebel unbedingt fest an, um den eingestellten Neigungswinkel einwandfrei zu sichern. Legen Sie das Werkstück auf den Gehrungsanschlag und den Drehtisch auf. Schalten Sie die Maschine ein, ohne dass das Sägeblatt Kontakt hat, und warten Sie, bis es seine volle Drehzahl erreicht. Senken Sie dann den Handgriff unter Druckausübung in Richtung des Sägeblatts sanft bis zur Tiefstellung ab. Sobald der Schnitt beendet ist, schalten Sie die Maschine aus, und WARTEN SIE, BIS DAS SÄGEBLATT ZUM VÖLLIGEN STILLSTAND GEKOMMEN IST, bevor Sie den Sägekopf wieder ganz anheben.

⚠️ VORSICHT:

- Vergewissern Sie sich stets, dass sich das Sägeblatt während eines Neigungsschnitts in Schrägrichtung senkt. Halten Sie Ihre Hände von der Schnittlinie des Sägeblatts fern.

- Bei Neigungsschnitten kann es vorkommen, dass das abgeschnittene Stück an der Seitenfläche des Sägeblatts aufliegt. Durch Anheben des Sägekopfes bei noch laufender Maschine kann das Werkstück vom Sägeblatt erfasst werden, was zu gefährlichem Herauserschleudern von Bruchstücken führen kann. Der Sägekopf darf erst angehoben werden, nachdem das Sägeblatt zum völligen Stillstand gekommen ist.
- Üben Sie den Druck auf den Handgriff immer nur parallel zum Sägeblatt aus. Verläuft die Druckrichtung während eines Schnitts nicht parallel zum Sägeblatt, kann sich der Winkel des Sägeblatts verändern, wodurch die Schnittgenauigkeit beeinträchtigt wird.
- (Nur für europäische Länder) Klappen Sie den Zusatzanschlag stets nach außen, wenn Sie linksseitige Neigungsschnitte durchführen.

4. Compoundsschnitt

Unter Compoundsschnitt versteht man das Schneiden eines Werkstücks mit gleichzeitiger Gehrungs- und Neigungswinkleinstellung. Die Kombinationsmöglichkeiten entnehmen Sie bitte der nachstehenden Tabelle.

Neigungswinkel	Gehrungswinkel
45°	Links und Rechts 0° – 45°

006366

Nehmen Sie zur Durchführung von Compoundsschnitten auf die Erläuterungen unter "Kappschnitt", "Gehrungsschnitt" und "Neigungsschnitt" Bezug.

5. Schneiden von Aluminium-Strangpressprofilen (Abb. 40)

Verwenden Sie zum Einspannen von Aluminium-Strangpressprofilen Distanzblöcke oder Abfallholzstücke, wie in der Abbildung gezeigt, um eine Verformung des Aluminiums zu vermeiden. Verwenden Sie Schneidflüssigkeit zum Schneiden von Aluminium-Strangpressprofilen, um die Ablagerung von Aluminium-Rückständen am Sägeblatt zu verhüten.

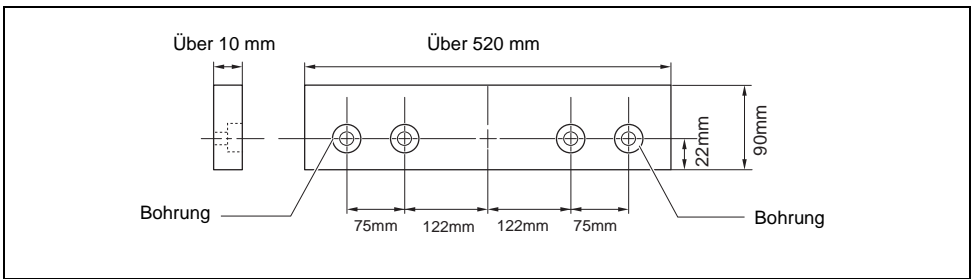
⚠️ VORSICHT:

- Versuchen Sie niemals, dickes oder rundes Aluminium-Strangpressmaterial zu schneiden. Dicke Aluminium-Strangpressprofile können sich während der Arbeit lösen, und runde Aluminium-Strangpressprofile lassen sich mit dieser Maschine nicht einwandfrei einspannen.
- Schneiden Sie auf keinen Fall Aluminium im Tischsägenmodus (Banksägenmodus).

6. Zwischenbrett

Durch die Verwendung eines Zwischenbretts lassen sich Werkstücke splitterfrei sägen. Die Bohrungen im Gehrungsanschlag dienen als Befestigungshilfe für ein Zwischenbrett.

Die Maße für ein vorgeschlagenes Zwischenbrett sind aus der Abbildung ersichtlich.



015190

⚠ VORSICHT:

- Verwenden Sie glatt gehobeltes Holz von gleichmäßiger Dicke als Zwischenbrett.
- Befestigen Sie das Zwischenbrett mit Schrauben am Gehrgungsanschlag. Die Schrauben sind so zu installieren, dass die Schraubenköpfe im Zwischenbrett versenkt sind.
- Drehen Sie den Drehteller bei montiertem Zwischenbrett nicht mit abgesenktem Handgriff. Anderenfalls kommt es zu einer Beschädigung des Sägeblatts und/oder des Zwischenbretts.

VERWENDUNG ALS TISCHSÄGE (BANKSÄGENMODUS)

Wenn Sie die Maschine im Tischsäge- (Banksäge-)modus verwenden, bringen Sie die Sägeblattabdeckung so am Drehteller an, dass die Drehtellerabdeckung über dem Sägeblattschlitz im Drehteller zentriert ist und die zwei kleinen Vorsprünge auf der Unterseite der Sägeblattabdeckung in dem halbkreisförmigen Schlitz am Rand des Gehrgungsanschlages auf dem Drehteller sitzen, wie in der Abbildung gezeigt, und verriegeln Sie dann den Handgriff in der Tiefstellung, indem Sie den Anschlagstift vollständig hineindrücken. Wird die Sägeblattabdeckung nicht fixiert, kann der Tisch nicht abgesenkt werden. (Abb. 41)

Im Falle von Maschinen für europäische Länder ist der Zusatzanschlag nach außen zu klappen, bevor die Sägeblattabdeckung angebracht wird.

⚠ VORSICHT:

- Verwenden Sie stets "Arbeitshilfen", wie z.B. Schiebestöcke und Schiebelöcke, wenn die Gefahr besteht, dass Sie mit den Händen oder Fingern in die Nähe des Sägeblatts kommen.
- Sichern Sie das Werkstück stets einwandfrei mit dem Tisch und dem Parallelanschlag. Unterlassen Sie Biegen oder Verdrehen des Werkstücks während des Vorschubs. Wird das Werkstück gebogen oder verdreht, können gefährliche Rückschläge auftreten.
- Entnehmen Sie das Werkstück NIEMALS bei rotierendem Sägeblatt. Wenn Sie das Werkstück vor der Vollendung eines Schnitts entnehmen müssen, schalten Sie zuerst die Maschine aus, während Sie das Werkstück festhalten. Warten Sie, bis das Sägeblatt zum vollkommenen Stillstand gekommen ist, bevor Sie das Werkstück entnehmen. Anderenfalls kann es zu gefährlichen Rückschlägen kommen.
- Entfernen Sie abgesägtes Material NIEMALS bei rotierendem Sägeblatt.
- Halten Sie NIEMALS Ihre Hände oder Finger in den Weg des Sägeblatts.

- Sichern Sie den Parallelanschlag stets einwandfrei, weil es sonst zu gefährlichen Rückschlägen kommen kann.
- Verwenden Sie stets "Arbeitshilfen", wie z. B. Schiebestöcke und Schiebelöcke zum Schneiden kleiner oder schmaler Werkstücke.

Arbeitshilfen

Schiebestöcke, Schiebelöcke oder Hilfsanschlätze sind "Arbeitshilfen". Verwenden Sie diese, um sichere, saubere Schnitte auszuführen und zu verhüten, dass Sie mit irgendeinem Körperteil das Sägeblatt berühren.

Schiebelotz (Abb. 42)

Verwenden Sie ein 15 mm dickes Sperrholzstück. Der Handgriff muss in der Mitte des Sperrholzstücks liegen. Befestigen Sie ihn mit Leim und Holzschrauben, wie gezeigt. Ein kleines Holzstück von 10 mm x 9 mm x 30 mm muss immer an das Sperrholz angeleimt werden, um Abstumpfen des Sägeblatts zu verhüten, falls die Bedienperson versehentlich in den Schiebelotz schneidet.

(Niemals Nägel im Schiebelotz verwenden.)

Hilfsanschlag (Abb. 43 und 44)

Fertigen Sie einen Hilfsanschlag aus 10 mm und 15 mm dicken Sperrholzstücken an.

Entfernen Sie Parallelanschlag, Klemmschraube (A), Unterlegscheibe und Vierkantmutter vom Parallelanschlaghalter, und befestigen Sie dann den Hilfsanschlag mit einer M6-Schraube länger als M6 x 50, Unterlegscheiben und einer Mutter am Parallelanschlaghalter.

Längssägen

⚠ VORSICHT:

- Wenn Sie lange oder große Werkstücke sägen, sorgen Sie stets für angemessene Abstützung hinter dem Tisch. Achten Sie darauf, dass sich ein langes Brett NICHT auf dem Tisch bewegt oder verschiebt. Dies führt zu Klemmen des Sägeblatts und erhöht die Wahrscheinlichkeit von Rückschlägen und Verletzungen. Die Stütze sollte die gleiche Höhe wie der Tisch haben.

1. Stellen Sie die Schnitttiefe etwas größer als die Dicke des Werkstücks ein. Lösen Sie dazu die zwei Hebel, und senken oder heben Sie den oberen Tisch.
2. Stellen Sie den Parallelanschlag auf die gewünschte Längsschnittbreite ein, und sichern Sie ihn durch Anziehen der Klemmschraube (A). Vergewissern Sie sich vor dem Längssägen, dass die zwei Schrauben am Parallelanschlaghalter angezogen sind. Falls sie locker sind, ziehen Sie sie fest.

3. Schalten Sie die Maschine ein, und schieben Sie das Werkstück entlang dem Parallelanschlag sachte gegen das Sägeblatt.
 - (1) Wenn die Längsschnittbreite 40 mm oder breiter ist, verwenden Sie einen Schiebestock. **(Abb. 45)**
 - (2) Wenn die Längsschnittbreite kleiner als 40 mm ist, kann der Schiebestock nicht verwendet werden, weil er mit der oberen Schutzhaube in Berührung kommt. Verwenden Sie einen Hilfsanschlag und einen Schiebeklotz. Befestigen Sie den Hilfsanschlag sicher am Parallelanschlaghalter auf dem Tisch. Schieben Sie das Werkstück von Hand vor, bis die Vorderkante etwa 25 mm von der Vorderkante des oberen Tisches entfernt ist. Schieben Sie das Werkstück mit Hilfe des Schiebeklotzes auf der Oberseite des Hilfsanschlages weiter vor, bis der Schnitt vollendet ist. **(Abb. 46)**

Tragen der Maschine

Vergewissern Sie sich, dass der Netzstecker abgezogen ist. Der Tisch muss in der Höchststellung fixiert werden. Sichern Sie das Sägeblatt in der 0°-Neigungswinkelstellung und den Drehteller ganz in der linken Gehrungswinkelstellung. Senken Sie den Handgriff ganz ab, und arretieren Sie ihn in der Tiefstellung, indem Sie den Anschlagstift vollständig hineindrücken. **(Abb. 47)** Tragen Sie die Maschine, indem Sie die Grundplatte auf beiden Seiten halten, wie in der Abbildung gezeigt. Die Maschine lässt sich bequemer tragen, wenn Auflagebügel, Staubsack usw. entfernt werden. **(Abb. 48)**

VORSICHT:

- Sichern Sie stets alle beweglichen Teile, bevor Sie die Maschine tragen.

WARTUNG

VORSICHT:

- Denken Sie vor der Durchführung von Überprüfungen oder Wartungsarbeiten stets daran, die Maschine auszuschaalten und vom Stromnetz zu trennen.
- Verwenden Sie auf keinen Fall Benzin, Benzol, Verdünnern, Alkohol oder dergleichen. Solche Mittel können Verfärbung, Verformung oder Rissbildung verursachen.

WARNUNG:

- Achten Sie stets darauf, dass das Sägeblatt scharf und sauber ist, um die bestmögliche und sicherste Leistung zu erzielen.

Einstellen des Schnittwinkels

Diese Maschine wurde werksseitig sorgfältig eingestellt und justiert, doch grobe Behandlung kann die Justierung beeinträchtigen. Sollte Ihre Maschine einer Nachjustierung bedürfen, gehen Sie folgendermaßen vor:

1. Gehrungswinkel

Lösen Sie den Spanngriff, mit dem der Drehteller gesichert wird. Drehen Sie dann den Drehteller, so dass der Zeiger auf 0° auf der Gehrungswinkelskala zeigt. Ziehen Sie den Griff an, und lösen Sie die Sechskantschrauben, die den Gehrungsanschlag halten, mit dem Steckschlüssel. **(Abb. 49)**

Senken Sie den Handgriff ganz ab, und arretieren Sie ihn in der Tiefstellung durch Hineindrücken des Anschlagstifts. Bringen Sie die Seitenfläche des Sägeblatts mit Hilfe eines Einstelldreiecks, Anschlagwinkels usw. in den rechten Winkel mit der Fläche des Gehrungsanschlages. Ziehen Sie dann die Sechskantschrauben des Gehrungsanschlages von rechts der Reihe nach fest. **(Abb. 50)**

2. Neigungswinkel

(1) 0°-Neigungswinkel

Senken Sie den Handgriff ganz ab, und arretieren Sie ihn in der Tiefstellung durch Hineindrücken des Anschlagstifts. Lösen Sie den Hebel auf der Rückseite der Maschine.

Drehen Sie die 0°-Neigungswinkel-Einstellschraube auf der rechten Seite des Drehtellers um zwei bis drei Umdrehungen im Uhrzeigersinn, um das Sägeblatt nach rechts zu neigen. **(Abb. 51)**

Bringen Sie die Seitenfläche des Sägeblatts mit Hilfe eines Einstelldreiecks, Anschlagwinkels usw. in den rechten Winkel mit der Drehteller-Oberfläche, indem Sie die 0°-Neigungswinkel-Einstellschraube entgegen dem Uhrzeigersinn drehen. **(Abb. 52)**

Vergewissern Sie sich, dass der Zeiger am Drehteller auf 0° der Neigungswinkelskala am Arm zeigt. Falls der Zeiger nicht auf 0° zeigt, lösen Sie die Halteschraube des Zeigers, und stellen Sie den Zeiger so ein, dass er auf 0° zeigt. **(Abb. 53)**

(2) 45°-Neigungswinkel

Diese Einstellung kann erst nach erfolgter Einstellung des 0°-Neigungswinkels durchgeführt werden. Zum Einstellen des linksseitigen 45°-Neigungswinkels lösen Sie den Hebel und neigen das Sägeblatt ganz nach links. Vergewissern Sie sich, dass der Zeiger am Arm auf 45° der Neigungswinkelskala am Arm zeigt. Falls der Zeiger nicht auf 45° zeigt, drehen Sie die 45°-Neigungswinkel-Einstellschraube auf der linken Seite des Arms, bis der Zeiger auf 45° zeigt. **(Abb. 54)**

Auswechseln der Kohlebürsten (Abb. 55 und 56)

Die Kohlebürsten müssen regelmäßig entfernt und überprüft werden. Wenn sie bis auf eine Länge von 3 mm abgenutzt sind, müssen sie erneuert werden. Halten Sie die Kohlebürsten stets sauber, damit sie ungehindert in den Haltern gleiten können. Beide Kohlebürsten sollten gleichzeitig erneuert werden. Verwenden Sie nur identische Kohlebürsten.

Drehen Sie die Bürstenhalterkappen mit einem Schraubendreher heraus. Nehmen Sie die abgenutzten Kohlebürsten heraus, setzen Sie die neuen ein, und drehen Sie dann die Bürstenhalterkappen wieder ein.

Nach dem Gebrauch

- Wischen Sie nach dem Gebrauch an der Maschine haftende Späne und Staub mit einem Tuch oder dergleichen ab. Halten Sie die Schutzhaube gemäß den Anweisungen im vorhergehenden Abschnitt "Schutzhaube" sauber. Schmieren Sie die Gleitteile der Maschine mit Öl, um Rostbildung zu verhüten.

Um die SICHERHEIT und ZUVERLÄSSIGKEIT dieses Produkts zu gewährleisten, sollten Reparaturen und andere Wartungs- oder Einstellarbeiten nur von Makita-Kundendienstzentren unter ausschließlicher Verwendung von Makita-Originalersatzteilen ausgeführt werden.

⚠ VORSICHT:

- Die folgenden Zubehörteile oder Vorrichtungen werden für den Einsatz mit der in dieser Anleitung beschriebenen Makita-Maschine empfohlen. Die Verwendung anderer Zubehörteile oder Vorrichtungen kann eine Verletzungsgefahr darstellen. Verwenden Sie Zubehörteile oder Vorrichtungen nur für ihren vorgesehenen Zweck.

Wenn Sie weitere Einzelheiten bezüglich dieser Zubehörteile benötigen, wenden Sie sich bitte an Ihre Makita-Kundendienststelle.

- Stahl- und hartmetallbestückte Sägeblätter
- Schraubstockeinheit (Horizontal-Schraubstock)
- Vertikal-Schraubstock
- Steckschlüssel 13
- Haltersatz
- Staubsack
- Einstelldreieck
- Sägeblattabdeckung
- Schiebstock
- Linealeinheit (Parallelanschlag)

HINWEIS:

- Manche Teile in der Liste können als Standardzubehör im Werkzeugsatz enthalten sein. Sie können von Land zu Land unterschiedlich sein.

ENG905-1

Geräusch

Typischer A-bewerteter Geräuschpegel ermittelt gemäß EN61029:

Modell LH1201FL 220 V – 240 VSchalldruckpegel (L_{pA}): 93 dB (A)Schalleistungspegel (L_{WA}): 106 dB (A)

Ungewissheit (K): 3 dB (A)

Modell LH1201FL 110 VSchalldruckpegel (L_{pA}): 95 dB (A)Schalleistungspegel (L_{WA}): 108 dB (A)

Ungewissheit (K): 3 dB (A)

Gehörschutz tragen**Nur für europäische Länder****EG-Übereinstimmungserklärung****Makita erklärt, dass die folgende(n) Maschine(n):**

Bezeichnung der Maschine:

Universal-Kapp- und Gehrungssäge

Modell-Nr./ Typ: LH1201FL

den folgenden europäischen Richtlinien entsprechen:

2006/42/EG

gemäß den folgenden Standards oder standardisierten Dokumenten hergestellt werden:

EN61029

Die technische Akte in Übereinstimmung mit 2006/42/EG ist erhältlich von:

Makita, Jan-Baptist Vinkstraat 2, 3070, Belgien

31.7.2015

Yasushi Fukaya
Direktor

Makita, Jan-Baptist Vinkstraat 2, 3070, Belgien

Visione generale

1 Bullone	29 Freccia	57 Braccio morsa
2 Protezione A inferiore lama	30 Flangia esterna	58 Asta morsa
3 Protezione superiore lama	31 Flangia interna	59 Supporto
4 Protezione B inferiore lama	32 Mandrino	60 Manopola morsa
5 Vite	33 Anello	61 Sporgenza
6 Bullone esagonale	34 Coltello divisore	62 Albero morsa
7 Manico	35 Area da premere dentro	63 Base
8 Leva	36 Bulloni esagonali	64 Morsa
9 Superficie superiore base girevole	37 Larghezza lama	65 Blocco distanziatore
10 Periferia lama	38 Supporto guida pezzo	66 Estrusione di alluminio
11 Guida pezzo	39 Rotaia guida su tavolo superiore	67 Piccola bozza
12 Indice	40 Vite di chiusura (A)	68 Parallelo a faccia/bordo
13 Leva di blocco	41 Vite di chiusura (B)	69 Vite per legno
14 Impugnatura	42 Guida pezzo	70 Incollati insieme
15 Squadra a 45°	43 Linea da allineare con	71 Foro (7 mm di diametro)
16 Squadra falsa	44 Pezzo	72 Asta di spinta
17 Interruttore di alimentazione	45 Dado quadrato	73 Guida ausiliaria
18 Interruttore lampadine	46 Rondella	74 Blocco di spinta
19 Interruttore laser	47 Scala	75 Righello triangolare
20 Lampadina	48 Vite di regolazione	76 Bullone di regolazione angolo taglio a unghia 0°
21 Perno di fermo	49 Bocchettone segatura	77 Superficie superiore tavola girevole
22 Tavolo superiore	50 Sacchetto segatura	78 Braccio
23 Alloggiamento motore	51 Chiusura	79 Bullone di regolazione angolo taglio a unghia 45°
24 Coperchio centrale	52 Aspiratore	80 Cacciavite
25 Chiave a bussola	53 Coperchio lama	81 Tappo portaspazzole
26 Blocco albero	54 Sostegno	82 Manopola
27 Lama	55 Base girevole	
28 Cassa lama	56 Guida pezzo secondaria	

DATI TECNICI

Modello	LH1201FL
Diametro lama	305 mm
Spessore corpo lama	1,9 mm o meno
Diametro foro	
Modello per i Paesi extraeuropei	25,4 mm
Modello per i Paesi europei	30 mm
Capacità massima di taglio (Alt. x Largh.) con lama di 305 mm di diametro nella modalità di sega circolare	

Angolo di taglio a unghia	Angolo di taglio a quartabuono	
	90°	45° (da sinistra a destra)
90°	95 mm x 155 mm 62 mm x 200 mm	95 mm x 110 mm 62 mm x 135 mm
45°	64 mm x 155 mm 40 mm x 200 mm	64 mm x 65 mm 40 mm x 85 mm

Capacità massima di taglio a 90° nella modalità di sega da tavolo (sega da banco)	52 mm
Velocità senza carico (min ⁻¹)	3.800
Tipo laser	Laser rosso 650 nm, < 1 mW (Classe laser 2)
Dimensioni tavolo (Largh. x Lungh.)	307 mm x 465 mm
Dimensioni (L x A x P)	610 mm x 535 mm x 692 mm
Peso netto	20,9 kg
Classe di sicurezza	□/II

- Per il nostro programma di ricerca e sviluppo continui, i dati tecnici sono soggetti a modifiche senza avviso.
- I dati tecnici potrebbero differire a seconda del Paese di destinazione del modello.
- Peso in base alla procedura EPTA 01/2003

Utilizzo previsto

Questo utensile è progettato per i tagli diritti di precisione e (soltanto quando usato come sega circolare sul tavolo inferiore) per i tagli obliqui nel legno.

Alimentazione

L'utensile deve essere collegato ad una presa di corrente con la stessa tensione indicata sulla targhetta del nome, e può funzionare soltanto con la corrente alternata monofase. Esso ha un doppio isolamento, per cui può essere usato con le prese di corrente sprovviste della messa a terra.

Avvertimenti generali per la sicurezza dell'utensile elettrico

⚠️ AVVERTIMENTO Leggere tutti gli avvertimenti per la sicurezza e le istruzioni. La mancata osservanza degli avvertimenti e delle istruzioni può causare scosse elettriche, incendio e/o gravi incidenti.

Conservare tutti gli avvertimenti e le istruzioni per riferimenti futuri.

AVVERTIMENTI DI SICUREZZA PER LA SEGA DA BANCO CON PIANETTO

PER ENTRAMBE LE MODALITÀ DI SEGA CIRCOLARE E DI SEGA DA TAVOLO (SEGA DA BANCO)

1. Controllare con cura che la lama non presenti crepe o deformazioni prima del lavoro. Sostituire immediatamente una lama danneggiata.
2. La sega non deve essere usata senza aver installato le protezioni e il coltello divisore, soprattutto dopo un cambiamento di modalità. Controllare che le protezioni lama si chiudano correttamente prima di ciascun utilizzo. Non usare la lama se le protezioni non si muovono liberamente e non si chiudono istantaneamente. Mai bloccare o legare aperte le protezioni. Qualsiasi funzionamento irregolare delle protezioni lama deve essere corretto immediatamente.
3. Usare soltanto le lame specificate dal costruttore e conformi a EN847-1. Lo spessore del solco del taglio deve essere maggiore di quello del coltello divisore, e il corpo della lama più sottile del coltello divisore.
4. Non usare lame fabbricate con acciaio ad alta velocità.
5. Indossare la protezione degli occhi.
6. Indossare la protezione delle orecchie, per ridurre il rischio della perdita dell'udito.
7. Indossare i guanti per maneggiare le lame (che vanno trasportate in un contenitore ogni volta possibile) e i materiali ruvidi.
8. Collegare l'utensile a un dispositivo di raccolta della segatura durante il taglio.
9. Mettere sempre via l'asta di spinta quando non viene usata.
10. Mantenere pulito il pavimento intorno all'utensile, ed esente da materiali sciolti, per es., trucioli e ritagli.
11. L'operatore deve essere adeguatamente addestrato nell'uso, regolazione e funzionamento dell'utensile.

12. Arrestare e staccare la spina dalla presa di corrente quando si lascia la sega incustodita.
13. Per ridurre il rumore emesso, accertarsi sempre che la lama sia affilata e pulita.
14. Usare soltanto le lame marcate per una velocità massima uguale o più alta della velocità senza carico marcata sull'utensile.
15. Se l'utensile è dotato di un laser o LED, esso non deve essere sostituito con un laser o LED di tipo diverso. Per la riparazione, rivolgersi a un centro di assistenza autorizzato.
16. Non si devono mai togliere dall'area di taglio i ritagli o altre parti del pezzo mentre l'utensile sta funzionando con la lama non protetta.
17. L'utensile non deve essere usato per fare sfinciture, incavi o scanalature.
18. Prima del trasporto dell'utensile, coprire sempre la parte superiore della lama con la protezione e fissare tutte le parti mobili. Per sollevare o trasportare l'utensile, non si deve usare la protezione come manico di trasporto.
19. Pulire e fare attenzione a non danneggiare il mandrino, le flange (specialmente la superficie di installazione) e il bullone esagonale prima di installare o quando si installa la lama. Se queste parti sono danneggiate, potrebbero causare la rottura della lama. La scarsa installazione potrebbe causare vibrazioni/ondeggamenti o lo slittamento della lama. Usare soltanto le flange specificate per questo utensile.
20. Usare sempre gli accessori consigliati in questo manuale. L'uso di accessori inadatti, come le lame diamantate abrasive, potrebbe causare lesioni.
 21. Selezionare la lama corretta per il materiale da tagliare.
 22. Non si devono tagliare oggetti metallici, come chiodi e viti. Ispezionare il pezzo e rimuovere tutti i chiodi, viti ed altre sostanze estranee prima del lavoro.
 23. Batter via i nodi del pezzo PRIMA di cominciare il taglio.
 24. Non usare l'utensile in presenza di liquidi o gas infiammabili.
 25. Per la propria sicurezza, rimuovere tutti i trucioli, frammenti, ecc., dall'area di da sopra il tavolo di collegare l'utensile alla presa di corrente e cominciare il lavoro.
 26. Tenere le mani, la propria persona e chi è vicino fuori dal percorso della lama e non in linea con essa. Evitare il contatto con qualsiasi lama che gira per forza d'inerzia. Essa può ancora causare lesioni serie, e mai allungare le mani intorno all'utensile davanti alla lama.
 27. Fare sempre attenzione, soprattutto durante i lavori ripetitivi e monotoni. Non lasciarsi andare ad un falso senso di sicurezza. Le lame non perdono mai.
 28. Accertarsi che il blocco dell'albero sia rilasciato prima di accendere l'utensile.
 29. Prima di usare l'utensile sul pezzo, lasciarlo girare per qualche momento. Controllare se ci sono vibrazioni od ondeggamenti che potrebbero indicare una cattiva installazione o bilanciamento della lama.
 30. Aspettare finché la lama ha raggiunto la velocità massima prima di cominciare il taglio.

31. Interrompere immediatamente l'operazione in corso se si nota qualcosa di anormale.
32. Spegner l'utensile e aspettare che la lama si fermi prima di rimuovere il pezzo o di cambiare le regolazioni.
33. Staccare l'utensile dalla presa di corrente prima di cambiare la lama, di una manutenzione o se non viene usato.
34. La polvere causata dal lavoro contiene sostanze chimiche che possono causare il cancro, difetti di nascita od altri danni all'apparato riproduttivo. Alcuni esempi di queste sostanze chimiche sono:
 - piombo dai materiali con vernici a base di piombo, e
 - arsenico e cromo dal legname trattato chimicamente.
 Il rischio da queste esposizioni varia, a seconda di quante volte si fa questo tipo di lavoro. Per ridurre l'esposizione a queste sostanze chimiche: lavorare in un ambiente ben ventilato e usando l'equipaggiamento di sicurezza appropriato, come le mascherine antipolvere progettate appositamente per non far penetrare le particelle microscopiche.
35. Non è possibile eliminare tutti i fattori di rischio residui, anche se l'utensile viene usato nel modo prescritto. Si potrebbero verificare i pericoli seguenti relativi alla costruzione e al disegno dell'utensile:
 - Danno alla salute causato dalle vibrazioni della mano-braccio se l'utensile viene usato per un lungo periodo di tempo e non viene fatto funzionare o mantenuto correttamente.
 - Incidenti o danni causati dagli accessori dell'utensile non fissati saldamente, che possono inaspettatamente scivolare via dall'utensile elettrico per un improvviso danno, usura o montaggio scorretto.

USANDO L'UTENSILE NELLA MODALITÀ DELLA SEGA CIRCOLARE:

36. Sostituire il piano di taglio quando è usurato.
37. Usare un'asta o blocco di spinta per evitare di lavorare con le mani e le dita vicine alla lama.
38. Accertarsi che il braccio sia fissato saldamente durante il taglio a unghia. Per fissare il braccio, stringere la leva in senso orario.
39. Non eseguire alcuna operazione a mano libera. Il pezzo deve essere fissato saldamente con una morsa contro la base girevole e la guida pezzo durante tutte le operazioni. Non usare mai la mano per tenere fermo il pezzo.
40. Accertarsi che l'utensile sia stabile prima di ciascun taglio.
41. Se necessario, fissare l'utensile a un banco di lavoro.
42. Supportare i pezzi lunghi con supporti addizionali appropriati.
43. Non si devono mai tagliare i pezzi piccoli che non possono essere tenuti saldamente dalla morsa. I pezzi che non sono tenuti correttamente potrebbero causare contraccolpi e seri incidenti.
44. Usarlo esclusivamente per tagliare legno, alluminio e materiali simili.
45. Accertarsi che la base girevole sia fissata correttamente, in modo che non si muova durante l'operazione.

46. Accertarsi che la lama non faccia contatto con la base girevole nella posizione più bassa e, prima di schiacciare l'interruttore, che non faccia contatto con il pezzo.
47. Tenere saldamente il manico. Tener presente che la sega si muove leggermente su o giù durante l'avvio e l'arresto.

USANDO L'UTENSILE NELLA MODALITÀ DI SEGA DA TAVOLO (SEGA DA BANCO):

48. Accertarsi che il braccio sia fissato saldamente in posizione di lavoro. Per fissare il braccio, stringere la leva in senso orario.
49. Accertarsi che il tavolo della sega da banco sia fissato saldamente all'altezza scelta.
50. Non eseguire alcuna operazione a mano libera. A mano libera significa l'uso delle mani al posto della guida pezzo per supportare o guidare il pezzo.
51. Accertarsi che la lama non faccia contatto con il coltello divisore o con il pezzo prima di schiacciare l'interruttore.
52. Fare particolarmente attenzione alle istruzioni per ridurre il rischio di CONTRACCOLPI. I CONTRACCOLPI sono una reazione improvvisa a una lama stretta, bloccata o disallineata. I CONTRACCOLPI causano l'espulsione del pezzo dall'utensile verso l'operatore. I CONTRACCOLPI POSSONO CAUSARE SERIE LESIONI PERSONALI. Evitare i CONTRACCOLPI mantenendo la lama affilata, la guida pezzo parallela alla lama, il coltello divisore e la protezione lama in posizione e funzionanti correttamente, non rilasciando il pezzo finché non è stato spinto completamente oltre la lama e non tagliando diritto un pezzo storto, deformato o che non ha un bordo diritto per essere guidato lungo la guida.
53. Evitare l'alimentazione improvvisa e veloce del pezzo. Alimentarlo quanto più lentamente possibile tagliando i pezzi duri. Non inclinare o storcere il pezzo alimentandolo. Se la lama si impianta o inceppa nel pezzo, spegnere immediatamente l'utensile. Staccare l'utensile dalla presa di corrente. Correggere poi l'inceppamento.

CONSERVARE QUESTE ISTRUZIONI.

⚠ AVVERTIMENTO:

NON lasciare che la comodità d'utilizzo o la familiarità con il prodotto (acquisita con l'uso ripetuto) sostituisca la stretta osservanza delle norme per la sua sicurezza. L'utilizzo SBAGLIATO o la mancata osservanza delle norme di sicurezza di questo manuale di istruzioni potrebbero causare lesioni serie.

INSTALLAZIONE

⚠ ATTENZIONE:

- Tenere l'area del pavimento intorno all'utensile piana, ben mantenuta ed esente da materiali sciolti come trucioli e ritagli.

Montaggio su banco (Fig. 1)

Questo utensile deve essere fissato con due bulloni a una superficie piana e stabile usando i fori per bulloni che si trovano sulla sua base. Ciò aiuta a impedire che si rovesci e possibili lesioni.

DESCRIZIONE DELLE FUNZIONI

⚠ ATTENZIONE:

- Accertarsi sempre che l'utensile sia spento e staccato dalla presa di corrente prima di regolare o di controllare il suo funzionamento.

Protezione della lama (Fig. 2 e 3)

⚠ ATTENZIONE:

- Accertarsi che il manico non possa essere abbassato senza spingere a sinistra la leva vicina al manico.
- Accertarsi che le protezioni A e B inferiori lama non si aprano se la leva vicina al manico non viene spinta sulla posizione più alta del manico.

Quando si abbassa il manico spingendo la leva a sinistra, la protezione A inferiore lama si solleva automaticamente. Le protezioni inferiori lama sono azionate da una molla, per cui tornano sulle loro posizione originali quando il taglio viene completato e si solleva il manico. La protezione superiore lama cade a piatto sulla superficie superiore dopo che il pezzo è passato sotto di essa. MAI RENDERE INOPERATIVE O RIMUOVERE LE PROTEZIONI INFERIORI LAMA, LA MOLLA ATTACATA ALLE PROTEZIONI INFERIORI LAMA O LA PROTEZIONE SUPERIORE LAMA.

Per la propria sicurezza, mantenere sempre ciascuna protezione lama in buone condizioni. Il funzionamento irregolare delle protezioni deve essere corretto immediatamente. Controllare l'azione di ritorno azionata dalla molla delle protezioni inferiori lama. MAI USARE L'UTENSILE SE LE PROTEZIONI INFERIORI LAMA, LA MOLLA O LA PROTEZIONE SUPERIORE LAMA SONO DANNEGGIATE, DIFETTOSE O RIMOSSE. CIÒ È MOLTO PERICOLOSO E PUÒ CAUSARE SERIE LESIONI PERSONALI.

Se una qualsiasi di queste protezioni lama trasparenti diventa sporca, oppure se la segatura vi rimane attaccata in modo che la lama non è più visibile, staccare l'utensile dalla presa di corrente e pulire accuratamente la protezione con un panno bagnato. Non usare solventi o pulitori a base di petrolio per pulire la protezione di plastica. Se la protezione A inferiore lama è particolarmente sporca e impedisce la visione attraverso di essa, procedere come segue. Fissare il tavolo superiore in posizione completamente sollevata, sollevare completamente il manico, spingere dentro completamente il perno di fermo con il manico completamente sollevato e usare la chiave a bussola in dotazione per allentare il bullone esagonale che fissa il coperchio centrale. Allentare il bullone esagonale girandolo in senso antiorario e sollevare la protezione A inferiore lama e il coperchio centrale spingendo allo stesso tempo la leva a sinistra. Con la protezione A inferiore lama così posizionata, la pulizia può essere eseguita più completamente ed efficientemente. Al completamento della pulizia, invertire il procedimento e fissare il bullone.

Nello stesso caso della protezione superiore lama descritto sopra, allentare la vite che la fissa usando un cacciavite e rimuovere la protezione superiore lama. Dopo la pulizia, reinstallarla sempre in modo sicuro stringendo la vite in modo che la protezione superiore lama si muova scorrevolmente su o giù.

Se una qualsiasi di queste protezioni si scolora con il tempo o per l'esposizione ai raggi ultravioletti, rivolgersi al centro di assistenza Makita per una nuova protezione. NON RENDERE INOPERABILI O RIMUOVERE LE PROTEZIONI.

Per mantenere la capacità massima di taglio (Fig. 4)

Questo utensile è stato regolato in fabbrica in modo da provvedere la massima capacità di taglio per le lame di 305 mm.

⚠ ATTENZIONE:

- Dopo aver installato una nuova lama, accertarsi sempre che essa non faccia contatto con nessuna parte della base inferiore quando si abbassa completamente il manico. Fare sempre ciò con l'utensile staccato dalla presa di corrente.

Regolazione dell'angolo di taglio obliquo (Fig. 5)

Allentare l'impugnatura girandola in senso antiorario. Girare la base girevole premendo giù allo stesso tempo la leva di blocco. Dopo aver spostato l'impugnatura sulla posizione in cui l'indice indica l'angolo desiderato sulla squadra a 45°, stringere saldamente l'impugnatura girandola in senso orario.

⚠ ATTENZIONE:

- Girando la base girevole, sollevare completamente il manico.
- Dopo aver cambiato l'angolo di taglio obliquo, fissare sempre la base girevole stringendo saldamente l'impugnatura.

Regolazione dell'angolo di taglio a unghia (Fig. 6 e 7)

Per regolare l'angolo di taglio a unghia, allentare la leva sulla parte posteriore dell'utensile girandola in senso antiorario.

Spingere il manico a sinistra per inclinare la lama finché l'indice indica l'angolo desiderato sulla squadra falsa. Stringere poi saldamente la leva girandola in senso orario per fissare il braccio.

⚠ ATTENZIONE:

- Inclinando la lama, sollevare completamente il manico.
- Dopo aver cambiato l'angolo di taglio a unghia, fissare sempre il braccio stringendo la leva in senso orario.

Funzionamento dell'interruttore (Fig. 8)

⚠ ATTENZIONE:

- Prima di cominciare, accertarsi che l'utensile si accenda e spenga.

Per avviare l'utensile, premere l'interruttore ON (I). Per fermarlo, premere l'interruttore OFF (O).

Accensione della lampadina (Fig. 9)

Per accendere la lampadina, spingere la parte superiore dell'interruttore, e la parte inferiore per spegnerla.

⚠ ATTENZIONE:

- Non guardare direttamente la luce della lampadina.

NOTA:

- Usare un panno asciutto per togliere lo sporco dalla lente della lampadina. Fare attenzione a non graffiare la lente, perché altrimenti l'illuminazione potrebbe ridursi.

Utilizzo del raggio laser (Fig. 10)

⚠ ATTENZIONE:

- **RADIAZIONE LASER**
Non guardare il raggio.

Per accendere il raggio laser, premere la parte superiore (I) dell'interruttore. Per spegnere il raggio laser, premere la parte inferiore (O) dell'interruttore.

Regolazione del tavolo superiore sopra e sotto (Fig. 11)

Per alzare o abbassare il tavolo superiore, allentare le due leve girandole in senso antiorario e girare poi la manopola. Per sollevare il tavolo superiore, girare la manopola in senso orario. Per abbassare il tavolo superiore, girare la manopola in senso antiorario. Stringere saldamente queste leve dopo la regolazione.

⚠ AVVERTIMENTO:

- Posizionare il tavolo superiore sulla posizione più alta quando si usa l'utensile nella modalità di sega a unghia, e nella posizione desiderata quando lo si usa nella modalità di sega da tavolo (modalità banco).

MONTAGGIO

⚠ ATTENZIONE:

- Accertarsi sempre che l'utensile sia spento e staccato dalla presa di corrente prima di qualsiasi intervento su di esso.

Installazione o rimozione della lama

⚠ ATTENZIONE:

- Accertarsi sempre che l'utensile sia spento e staccato dalla presa di corrente prima di installare o di rimuovere la lama.
- Per installare o rimuovere la lama, usare soltanto la chiave a bussola Makita in dotazione. In caso contrario, si potrebbe causare il serraggio eccessivo o insufficiente del bullone esagonale. Ciò può causare lesioni.

Fissare il tavolo superiore sulla sua posizione più alta. Bloccare il manico in posizione sollevata spingendo dentro il perno di fermo. (Fig. 12)

Usare poi la chiave a bussola per allentare il bullone esagonale che fissa il coperchio centrale girandolo in senso antiorario. Sollevare la protezione A inferiore lama e il coperchio centrale spingendo allo stesso tempo a sinistra la leva vicina al manico. (Fig. 13 e 14)

Premere il blocco albero per bloccare il mandrino, e usare la chiave a bussola per allentare il bullone esagonale in senso orario. Rimuovere poi il bullone esagonale, la flangia esterna e la lama. (Fig. 15)

Per installare la lama, montarla con cura sul mandrino controllando che la direzione della freccia della lama sia rivolta nella stessa direzione della freccia sulla cassa della lama. Installare la flangia esterna e il bullone esagonale, e usare poi la chiave a bussola per stringere saldamente il bullone esagonale (sinistrorso) in senso antiorario premendo allo stesso tempo il blocco albero. (Fig. 16 e 17)

⚠ ATTENZIONE:

- Sul mandrino è stato installato in fabbrica l'anello con un diametro esterno di 25,4 o 30 mm. Prima di montare la lama sul mandrino, accertarsi sempre che sul mandrino sia installato l'anello corretto per il foro dell'asse della lama che si intende usare. (Fig. 18)

Rimettere la protezione A inferiore lama e il coperchio centrale sulle loro posizioni originali. Stringere poi il bullone esagonale in senso orario per fissare il coperchio centrale. Sollevare al massimo la protezione B inferiore lama e stringere saldamente la vite di chiusura mantenendola sulla posizione sollevata. Abbassare il manico per accertarsi che le protezioni inferiori lama si muovano correttamente. Accertarsi che il blocco albero abbia rilasciato il mandrino prima di fare un taglio.

Regolazione del coltello divisore

Prima di regolare il coltello divisore, allentare le due leve girandole in senso antiorario e spostare il tavolo superiore sulla sua posizione abbassata girando la manopola in senso antiorario. Fissare poi il tavolo superiore stringendo di nuovo saldamente le due leve come mostrato in figura. (Fig. 19)

Tra il coltello divisore e i denti della lama ci deve essere un gioco di 4 – 5 mm. Regolare di conseguenza il coltello divisore allentando due bulloni esagonali in senso antiorario con la chiave a bussola e misurando la distanza. Stringere saldamente i bulloni esagonali e controllare poi che la protezione superiore lama funzioni scorrevolmente prima di fare un taglio. (Fig. 20)

Il coltello divisore è stato installato prima della spedizione dalla fabbrica in modo che la lama e il coltello siano in linea retta. (Fig. 21)

⚠ ATTENZIONE:

- Se la lama e il coltello divisore non sono allineati correttamente, durante il lavoro si potrebbe verificare una pericolosa condizione di serraggio. Accertarsi che il coltello divisore sia posizionato tra entrambe le estremità esterne dei denti della lama guardando dall'alto. Se si usa l'utensile con il coltello divisore non allineato correttamente, c'è pericolo di lesioni serie. Se per un qualche motivo non sono allineati, far riparare da un centro di assistenza Makita autorizzato.
- Non rimuovere il coltello divisore.

Installazione e regolazione della guida pezzo

1. Installare la guida pezzo sul tavolo in modo che il supporto guida pezzo entri nella rotaia guida. Stringere saldamente in senso orario la vite di chiusura (B) della guida pezzo.
2. Allentare la vite di chiusura (A).
3. Spingere la guida pezzo e fissarla in modo che l'estremità lontana da sé della guida pezzo sia allineata con il punto in cui il bordo anteriore della lama appare dalla superficie superiore del pezzo. Lo scopo di questa regolazione è di ridurre il rischio di contraccolpi verso l'operatore che una parte del pezzo tagliato venga stretta tra la lama e la guida pezzo e infine spinta fuori verso l'operatore. La linea 3 varia con lo spessore del pezzo o il livello del tavolo. Regolare la posizione della guida pezzo secondo lo spessore del pezzo.
Dopo la regolazione della guida pezzo, stringere saldamente la vite di chiusura (A). (Fig. 22 e 23)

NOTA:

- Quando nella modalità di sega a unghia, la guida pezzo deve essere montata sul lato sinistro della lama. (Fig. 24)

NOTA:

- Ci sono quattro modi di posizionare la guida pezzo, come mostrato in figura. (Fig. 25) La guida pezzo ha due fessure sui suoi lati, una con un orlo rialzato vicino sullo stesso lato, e l'altra senza. Usare la superficie della guida pezzo con questo orlo rivolto verso il pezzo soltanto per tagliare una parte di un pezzo sottile.

NOTA:

- Per cambiare la forma della guida pezzo, toglierla dal suo supporto allentando la vite di chiusura (A) e cambiare come la guida pezzo è rivolta verso il suo supporto in modo che sia rivolta verso di esso secondo il lavoro, come mostrato in figura. Inserire il dado quadrato del supporto guida pezzo nell'estremità posteriore di una delle fessure della guida pezzo in modo che entri come mostrato in figura.

Per cambiare dal modo A o B al modo C o D, o viceversa, rimuovere il dado quadrato, la rondella e la vite di chiusura (A) dal supporto guida pezzo e posizionare poi la vite di chiusura (A), la rondella e il dado quadrato sulla posizione opposta del supporto guida pezzo rispetto alla posizione originale. Stringere saldamente la vite di chiusura (A) dopo aver inserito il dado quadrato del supporto guida pezzo nella fessura della guida pezzo.

Inserire il dato quadrato del supporto guida pezzo nell'estremità posteriore di una delle fessure della guida pezzo in modo che combacino come mostrato in figura. (Fig. 26)

La guida pezzo è regolata in fabbrica in modo da essere parallela alla superficie della lama. Accertarsi che sia parallela. Per controllare che sia parallela, abbassare il tavolo sulla sua posizione più bassa in modo che la lama appaia sulla posizione più alta dal tavolo. Fare un segno su un dente della lama con una matita. Misurare la distanza (A) e (B) tra la guida pezzo e la lama. Fare entrambe le misurazioni usando il dente segnato con la matita. (Fig. 27) Queste due misurazioni devono essere identiche. Se la guida pezzo non è parallela alla lama, procedere come segue: (Fig. 28)

- (1) Girare le viti di regolazione in senso antiorario.
- (2) Spostare il bordo posteriore della guida pezzo leggermente a destra o a sinistra finché diventa parallelo alla lama.
- (3) Stringere saldamente la vite di regolazione sulla guida pezzo.

⚠ ATTENZIONE:

- Regolare la guida pezzo in modo che sia parallela alla lama, perché altrimenti si potrebbe creare una pericolosa condizione di contraccolpo.
- Regolare la guida pezzo in modo che non faccia contatto con la guida superiore lama o con la lama. (Fig. 29)

Sacchetto segatura

L'impiego del sacchetto segatura rende pulite le operazioni di taglio e facilita la raccolta della segatura. Per attaccare il sacchetto segatura, montarlo sul bocchettone segatura. (Fig. 30)

NOTA:

- Nella modalità di sega circolare, inserire sempre il sacchetto segatura soltanto sul bocchettone posteriore.

Quando il sacchetto segatura è quasi pieno a metà, rimuoverlo dall'utensile e tirar fuori la chiusura. Svuotare il sacchetto segatura dandogli dei leggeri colpetti, in modo da rimuovere le particelle attaccate all'interno che potrebbero ostacolare la raccolta ulteriore della segatura. (Fig. 31)

Collegando un aspiratore alla sega, si possono eseguire operazioni di taglio più efficienti e pulite.

Usando nella modalità di sega da tavolo, collegare un aspiratore.

Modalità di sega da tavolo (Fig. 32)

Modalità di sega a unghia (Fig. 33)

Per installare il coperchio lama usando l'utensile nella modalità di sega da tavolo (sega da banco), girare la base girevole all'angolo di taglio obliquo di 0° (vedere la sezione "Regolazione dell'angolo di taglio obliquo") e mettere il coperchio lama sul tavolo girevole in modo che il coperchio lama sia centrato sopra la fessura d'ingresso della lama nel lama girevole, e bloccare poi il manico nella posizione più bassa spingendo completamente il perno di fermo come mostrato in figura.

NOTA:

- Usando l'utensile nella modalità di sega da tavolo (sega da banco), accertarsi che il coperchio lama sia installato sul tavolo girevole.

Modo di fissare il pezzo

Ogni volta che ciò è possibile, fissare il pezzo con la morsa opzionale. Se si deve tenere il pezzo con la mano, farlo con fermezza tenendolo saldamente in modo da non perderne il controllo. La mano e il braccio devono essere tenuti lontani dall'area della lama (100 mm come minimo). Schiacciare fermamente il pezzo contro la guida pezzo, con le dita tenute sopra la parte superiore della guida pezzo. Il pezzo deve anche essere appoggiato saldamente alla base girevole.

⚠ AVVERTIMENTO:

- Mai usare la mano per tenere un pezzo che richiede che la mano sia più vicina di 100 mm all'area della lama. In tal caso, usare sempre la morsa opzionale per fissare il pezzo. Dopo l'operazione di taglio, sollevare delicatamente la lama. Mai alzare la lama finché non si è fermata completamente. C'è pericolo di lesioni serie.

⚠ ATTENZIONE:

- Per tagliare pezzi lunghi, usare sostegni alti quanto il livello della superficie superiore della base girevole. Per fissare il pezzo, non fare affidamento soltanto sulla morsa verticale e/o sulla morsa orizzontale (opzionali). (Fig. 34)

I materiali sottili tendono a incurvarsi al centro. Supportare il pezzo sull'intera sua lunghezza, per evitare che la lama resti incastrata e possibili CONTRACCOLPI.

Guida pezzo secondaria (soltanto per i Paesi europei) (Fig. 35)

Questo utensile è dotato della guida pezzo secondaria. Posizionare generalmente all'interno la guida pezzo secondaria. Spostarla invece all'esterno per eseguire i tagli inclinati a sinistra.

ATTENZIONE:

- Per eseguire i tagli inclinati a sinistra, spostare la guida pezzo secondaria all'esterno. In caso contrario, essa viene a contatto con la lama o una parte dell'utensile causando un possibile serio incidente all'operatore.

Morsa verticale (Fig. 36)

La morsa verticale può essere installata in due posizioni, sul lato destro o sinistro della guida pezzo. Inserire l'asta morsa nel foro della guida pezzo o del gruppo supporto, e stringere la vite per fissare la barra morsa.

Posizionare il braccio morsa secondo lo spessore e la forma del pezzo, e fissare il braccio morsa stringendo la vite. Se la vite per fissare il braccio morsa fa contatto con la guida pezzo, installare la vite sul lato opposto del braccio morsa. Accertarsi che nessuna parte dell'utensile faccia contatto con la morsa quando si abbassa completamente il manico. Se una qualche parte fa contatto con la morsa, riposizionare la morsa.

Premere il pezzo piatto contro la guida pezzo e la base girevole. Posizionare il pezzo sulla posizione di taglio desiderata e fissarlo saldamente stringendo la manopola morsa.

ATTENZIONE:

- Il pezzo deve essere fissato saldamente contro la base girevole e la guida pezzo.

Morsa orizzontale (accessorio opzionale) (Fig. 37)

La morsa orizzontale può essere installata su entrambi i lati destro o sinistro della base. Per eseguire i tagli obliqui di 30° o maggiori, installare la morsa orizzontale sul lato opposto alla direzione in cui va girata la base girevole. Girando la manopola morsa in senso antiorario si rilascia la vite e l'albero morsa può essere spostato rapidamente dentro o fuori. Quando si gira la manopola morsa in senso orario, la vite rimane fissata. Per stringere il pezzo, girare delicatamente la manopola morsa in senso orario finché la sporgenza raggiunge la sua posizione più alta, e stringere poi saldamente. Se si forza dentro la manopola morsa o la si tira fuori mentre viene girata in senso orario, la sporgenza potrebbe arrestarsi inclinata. In tal caso, girare la manopola morsa indietro in senso antiorario finché la vite viene rilasciata prima di girarla di nuovo delicatamente in senso orario.

La larghezza massima del pezzo che può essere fissato con la morsa orizzontale è di 200 mm.

UTILIZZO DELL'UTENSILE

AVVERTIMENTO:

- Usando l'utensile nella modalità di sega circolare, fissare il tavolo superiore sulla sua posizione più alta in modo che la lama non sporga mai dalla superficie superiore del tavolo superiore.

ATTENZIONE:

- Prima dell'uso, rilasciare il manico dalla posizione abbassata tirando il perno di fermo.
- Accertarsi che la lama non faccia contatto con il pezzo, ecc., prima di accendere l'utensile.

TAGLIO NELLA MODALITÀ DI SEGA CIRCOLARE

ATTENZIONE:

- Non esercitare una pressione eccessiva sul manico durante il taglio. La forza eccessiva può causare il sovraccarico del motore e/o una diminuzione dell'efficienza di taglio. Spingere giù il manico soltanto con la forza necessaria per un taglio scorrevole senza notevole riduzione della velocità della lama.
- Premere giù delicatamente il manico per eseguire il taglio. Se si preme giù con forza il manico o si applica una pressione laterale, la lama vibra lasciando un segno sul pezzo (segno della lama), e la precisione del taglio viene compromessa.

1. Taglio con pressione (Fig. 38)

Fissare il pezzo contro la guida pezzo e la base girevole. Accendere l'utensile senza che la lama faccia contatto con il pezzo, e aspettare finché raggiunge la velocità massima prima di abbassarla. Abbassare poi delicatamente il manico sulla posizione completamente abbassata per tagliare il pezzo. Al completamento del taglio, spegnere l'utensile e **ASPETTARE CHE LA LAMA SI SIA COMPLETAMENTE ARRESTATATA** prima di rimetterla sulla sua posizione di elevazione massima.

2. Taglio obliquo

Riferirsi alla sezione "Regolazione dell'angolo di taglio obliquo" più indietro nel testo.

3. Taglio a unghia (Fig. 39)

Allentare la leva e inclinare la lama per regolare l'angolo di taglio a unghia. (Riferirsi alla sezione "Regolazione dell'angolo di taglio a unghia" più indietro nel testo.) Stringere di nuovo saldamente la leva per fissare l'angolo di taglio a unghia selezionato. Fissare il pezzo contro la guida pezzo e la base girevole. Accendere l'utensile senza che la lama faccia contatto con il pezzo, e aspettare finché raggiunge la velocità massima. Abbassare poi delicatamente il manico sulla posizione completamente abbassata esercitando una pressione parallelamente alla lama. Al completamento del taglio spegnere l'utensile e **ASPETTARE CHE LA LAMA SI SIA FERMATA COMPLETAMENTE** prima di rimetterla sulla sua posizione di elevazione massima.

ATTENZIONE:

- Accertarsi sempre che la lama si muova giù nella direzione dell'angolo di taglio a unghia durante il taglio a unghia. Tenere le mani fuori del percorso della lama.
- Durante un taglio a unghia, si potrebbe verificare una situazione in cui il pezzo tagliato viene ad appoggiarsi al fianco della lama. Se si solleva la lama mentre sta girando, il pezzo potrebbe rimanere attaccato alla lama causando una pericolosa espulsione di frammenti. La lama deve essere sollevata **SOLTANTO** dopo che si è fermata completamente.
- Premendo giù il manico, esercitare una pressione parallelamente alla lama. Se la pressione non è parallela alla lama durante il taglio, l'angolo della lama potrebbe spostarsi compromettendo la precisione del taglio.
- Sistemare sempre la guida pezzo secondaria all'esterno per eseguire i tagli inclinati a sinistra (soltanto per i Paesi europei).

4. Taglio composito

Il taglio composito è il processo in cui sul pezzo viene fatto un taglio a unghia contemporaneamente a un taglio obliquo. Il taglio composito può essere eseguito all'angolo mostrato nella tabella.

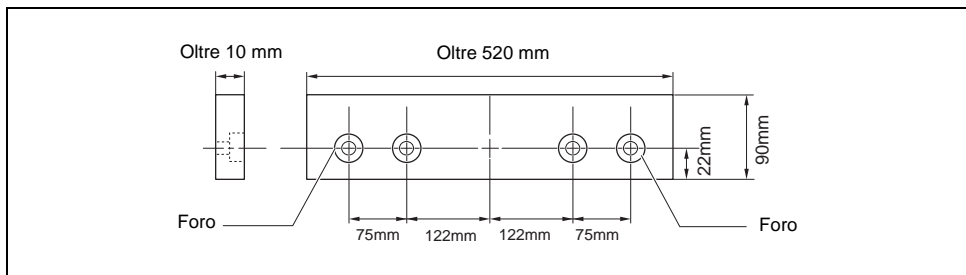
Angolo di taglio a unghia	Angolo di taglio obliquo
45°	Destro e Sinistro 0° – 45°

006366

Per l'esecuzione del taglio composito, riferirsi alle alle sezioni "Taglio con pressione", "Taglio obliquo" e "Taglio a unghia".

5. Taglio delle estrusioni di alluminio (Fig. 40)

Per fissare le estrusioni di alluminio, usare blocchi distanziatori o pezzi di scarto, come mostrato nella illustrazione, per impedire la deformazione dell'alluminio. Per tagliare le estrusioni di alluminio, usare un lubrificante di taglio per evitare l'accumularsi dei trucioli di alluminio sulla lama.



015190

⚠ ATTENZIONE:

- Come spessore di legno, usare un legno dritto di spessore uniforme.
- Usare viti per attaccare lo spessore di legno alla guida pezzo. Le viti devono essere installate in modo che le teste delle viti siano sotto la superficie dello spessore di legno.
- Quando si attacca lo spessore di legno, non girare la base girevole con il manico abbassato. La lama e/o lo spessore di legno vengono danneggiati.

TAGLIO NELLA MODALITÀ DI SEGA DA TAVOLO (SEGA DA BANCO)

Usando l'utensile nella modalità di sega da tavolo (modalità banco), mettere la copertura della lama sul tavolo rotante in modo che sia centrata sulla fessura per l'ingresso della lama sul tavolo rotante e le due piccole sporgenze sul lato inferiore della copertura della lama entrino nella fessura semicircolare sulla periferia della guida pezzo sul tavolo rotante, come mostrato nella illustrazione, e bloccare poi il manico sulla posizione più bassa spingendo completamente il perno di fermo. Se non si fissa la copertura della lama, il tavolo non può essere abbassato. (Fig. 41)

Nel caso degli utensili per i Paesi europei, spostare la guida pezzo secondaria all'esterno prima di mettere il coperchio della lama.

⚠ ATTENZIONE:

- Mai cercare di tagliare estrusioni di alluminio spesse o rotonde. Le estrusioni di alluminio spesse possono staccarsi durante il taglio, e quelle rotonde non possono essere fissate saldamente con questo utensile.
- Non si deve mai tagliare l'alluminio nella modalità di sega da tavolo (sega da banco).

6. Spessore di legno

L'impiego di uno spessore di legno assicura il taglio senza schegge del pezzo. Attaccare lo spessore di legno alla guida pezzo usando i fori della guida pezzo.

Per lo spessore di legno consigliato, riferirsi alla tabella delle dimensioni.

⚠ ATTENZIONE:

- Usare sempre dei "mezzi di aiuto", come aste o blocchi di spinta se c'è pericolo che le mani o le dita vengano a trovarsi vicino alla lama.
- Bloccare sempre saldamente il pezzo con il tavolo e la guida pezzo. Non incurvarlo o storcerlo durante l'alimentazione. Se il pezzo viene incurvato o storto, si potrebbe verificare un pericoloso contraccolpo.
- MAI ritirare il pezzo mentre la lama gira. Se bisogna ritirare il pezzo prima del completamento del taglio, spegnere prima l'utensile tenendo saldamente il pezzo. Aspettare finché la lama si è fermata completamente prima di ritirare il pezzo. In caso contrario, ciò potrebbe causare pericolosi contraccolpi.
- MAI rimuovere materiale tagliato mentre la lama gira.
- MAI mettere le mani o le dita nel percorso della lama.
- Fissare sempre saldamente la guida pezzo, o si potrebbero verificare pericolosi contraccolpi.
- Per il taglio di pezzi piccoli o stretti, usare sempre i "mezzi di aiuto" quali le aste e i blocchi di spinta.

Mezzi di aiuto

Le aste e i blocchi di spinta e la guida ausiliaria sono alcuni tipi di "mezzi di aiuto". Usarli per dei tagli sicuri in modo che non ci sia nessun bisogno che qualche parte del corpo faccia contatto con la lama.

Blocco di spinta (Fig. 42)

Usare un pezzo di compensato di 15 mm.

Il manico deve essere al centro del pezzo di compensato. Fissare con colla e viti per legno, come mostrato. I piccoli pezzi di legno di 10 mm x 9 mm x 30 mm devono sempre essere incollati al compensato per evitare che la lama perda il filo se si taglia per sbaglio il blocco di spinta.

(Mai usare chiodi nel blocco di spinta.)

Guida ausiliaria (Fig. 43 e 44)

Fare una guida ausiliaria con pezzi di compensato dai 10 mm ai 15 mm.

Rimuovere la guida pezzo, vite di chiusura (A), rondella piatta e dado quadrato dal supporto guida pezzo, e attaccare poi e fissare la guida ausiliaria al supporto guida pezzo usando un bullone M6 più lungo di M6 x 50, rondelle e dado.

Taglio dritto

⚠ATTENZIONE:

- Per tagliare pezzi lunghi o grandi, provvedere sempre un sostegno adeguato dietro il tavolo. Le lunghe tavole NON devono muoversi o spostarsi sul tavolo. Ciò fa sì che la lama si incolli e aumenta la possibilità di contraccolpi e di lesioni personali. Il sostegno deve essere alla stessa altezza del tavolo.

1. Regolare una profondità di taglio appena più alta dello spessore del pezzo. Per fare questa regolazione, allentare due leve e abbassare o sollevare il tavolo superiore.
2. Posizionare la guida pezzo alla larghezza desiderata di taglio, e fissare in posizione stringendo la vite di chiusura (A). Prima del taglio, accertarsi che le due viti del supporto guida pezzo siano strette. Se non lo sono sufficientemente, stringerle di nuovo.
3. Accendere l'utensile e alimentare delicatamente il pezzo nella lama lungo la guida pezzo.
 - (1) Se la larghezza di taglio è di 40 mm o maggiore, usare un'asta di spinta. (Fig. 45)
 - (2) Se la larghezza di taglio è più stretta di 40 mm, non si può usare l'asta di spinta perché essa incontra la protezione superiore lama. Usare la guida ausiliaria e il blocco di spinta. Installare saldamente la guida ausiliaria che è fissata al supporto guida pezzo sul tavolo. Alimentare il pezzo a mano finché la fine è a circa 25 mm dal bordo anteriore del tavolo superiore. Continuare ad alimentare usando il blocco di spinta in cima alla guida ausiliaria fino al completamento del taglio. (Fig. 46)

Trasporto dell'utensile

Accertarsi che l'utensile sia staccato dalla presa di corrente. Il tavolo deve essere fissato sulla posizione superiore. Fissare la lama all'angolo di taglio a unghia di 0° e la base girevole completamente all'angolo di taglio obliquo a sinistra. Abbassare completamente il manico e bloccarlo nella posizione abbassata spingendo completamente dentro il perno di fermo. (Fig. 47)

Trasportare l'utensile tenendo entrambi i lati della base, come mostrato nella illustrazione. Rimuovendo i supporti, il sacchetto segatura, ecc., l'utensile può essere trasportato più facilmente. (Fig. 48)

⚠ATTENZIONE:

- Fissare sempre le parti mobili prima di trasportare l'utensile.

MANUTENZIONE

⚠ATTENZIONE:

- Accertarsi sempre che l'utensile sia spento e staccato dalla presa di corrente prima di eseguire l'ispezione o la manutenzione.
- Mai usare benzina, benzene, solventi, alcol e altre sostanze simili. Potrebbero causare scolorimenti, deformazioni o crepe.

⚠AVVERTIMENTO:

- Per ottenere le prestazioni migliori e più sicure, accertarsi sempre che la lama sia affilata e pulita.

Regolazione dell'angolo di taglio

Questo utensile è stato regolato e allineato con cura in fabbrica, ma se è stato trattato male, potrebbe essersi disallineato. Se non è allineato correttamente, procedere come segue:

1. Angolo di taglio obliquo

Allentare l'impugnatura che fissa la base girevole. Girare la base girevole in modo che l'indice indichi 0° sulla squadra a 45°. Stringere l'impugnatura e allentare i bulloni esagonali che fissano la guida pezzo usando la chiave a bussola. (Fig. 49)

Abbassare completamente il manico e bloccarlo nella posizione abbassata spingendo dentro il perno di fermo. Squadrare il fianco della lama con la faccia della guida pezzo usando un righello triangolare, squadra di riscontro, ecc. Stringere poi saldamente in successione dal lato destro i bulloni esagonali sulla guida pezzo. (Fig. 50)

2. Angolo di taglio a unghia

(1) Angolo di taglio a unghia 0°

Abbassare completamente il manico e bloccarlo nella posizione abbassata spingendo dentro il perno di fermo. Allentare la leva sulla parte posteriore dell'utensile.

Girare il bullone di regolazione angolo taglio a unghia 0° sul lato destro della base girevole di due o tre giri in senso orario per inclinare la lama a destra.

(Fig. 51)

Squadrare con cura il fianco della lama con la superficie superiore della base girevole usando il righello triangolare, squadra di riscontro, ecc., girando il bullone di regolazione angolo taglio a unghia 0° in senso antiorario. (Fig. 52)

Accertarsi che l'indice sulla base girevole indichi 0° sulla squadra falsa sul braccio. Se non indica 0°, allentare la vite che fissa l'indice e regolarlo in modo che indichi 0°. (Fig. 53)

(2) Angolo di taglio a unghia 45°

Regolare l'angolo di taglio a unghia di 45° soltanto dopo aver eseguito la regolazione dell'angolo di taglio a unghia di 0°. Per regolare l'angolo di taglio a unghia di 45° sinistro, allentare la leva e inclinare completamente la lama a sinistra. Accertarsi che l'indice sul braccio indichi 45° sulla squadra falsa sul braccio. Se l'indice non indica 45°, girare il bullone di regolazione angolo taglio a unghia 45° sul lato sinistro del braccio finché indica 45°. (Fig. 54)

Sostituzione delle spazzole di carbone (Fig. 55 e 56)

Rimuovere e ispezionare regolarmente le spazzole di carbone. Sostituire quando si usura fino a una lunghezza di 3 mm. Mantenere pulite le spazzole di carbone, che devono potersi muovere liberamente nel portaspazzole. Le spazzole di carbone vanno sostituite entrambe allo stesso tempo. Usare soltanto spazzole di carbone identiche.

Per rimuovere le toppo portaspazzole, usare un cacciavite. Togliere le spazzole usurate, inserire le nuove e fissare i tappi del portaspazzole.

Dopo l'uso

- Dopo l'uso, togliere i trucioli e la segatura attaccati all'utensile con un panno o uno straccio. Mantenere pulita le protezioni della lama facendo riferimento alle spiegazioni di "Protezione della lama". Oliare le parti mobili con un lubrificante antiruggine.

Per preservare la SICUREZZA e l'AFFIDABILITÀ del prodotto, le riparazioni e qualsiasi altro intervento di manutenzione e di regolazione devono essere eseguiti da un centro di assistenza Makita usando ricambi Makita.

ACCESSORI OPZIONALI

⚠ ATTENZIONE:

- In questo manuale si consiglia di usare questi accessori o ricambi Makita. L'impiego di altri accessori o ricambi potrebbe costituire un pericolo di lesioni. Usare esclusivamente gli accessori o ricambi per il loro scopo specificato.

Per maggiori dettagli riguardo a questi accessori, rivolgersi a un centro di assistenza Makita.

- Lame con filo d'acciaio o al carburo
- Gruppo morsa (morsa orizzontale)
- Morsa verticale
- Chiave a bussola 13
- Set supporti
- Sacchetto segatura
- Righello triangolare
- Coperchio lama
- Asta di spinta
- Gruppo righello (guida pezzo)

NOTA:

- Alcuni articoli nella lista potrebbero essere inclusi nell'imballo dell'utensile come accessori standard. Essi potrebbero differire da Paese a Paese.

ENG905-1

Rumore

Il tipico livello di rumore pesato A determinato secondo EN61029:

Modello LH1201FL 220 V – 240 V

Livello pressione sonora (L_{pA}): 93 dB (A)

Livello potenza sonora (L_{WA}): 106 dB (A)

Incertezza (K): 3 dB (A)

Modello LH1201FL 110 V

Livello pressione sonora (L_{pA}): 95 dB (A)

Livello potenza sonora (L_{WA}): 108 dB (A)

Incertezza (K): 3 dB (A)

Indossare i paraorecchi

Modello per l'Europa soltanto

Dichiarazione CE di conformità

Makita dichiara che la macchina seguente:

Designazione della macchina:

Sega da banco con pianetto

Modello No./ Tipo: LH1201FL

conformi alle direttive europee seguenti:

2006/42/CE

È stata fabbricata in conformità allo standard e ai documenti standardizzati seguenti:

EN61029

La documentazione tecnica conforme 2006/42/CE è disponibile da:

Makita, Jan-Baptist Vinkstraat 2, 3070, Belgio

31.7.2015



Yasushi Fukaya

Amministratore

Makita, Jan-Baptist Vinkstraat 2, 3070, Belgio

Verklaring van algemene gegevens

1 Bout	29 Pijltje	57 Spanschroefarm
2 Onderste beschermkap A	30 Buitenflens	58 Spanschroefstang
3 Bovenste beschermkap	31 Binnenflens	59 Houder
4 Onderste beschermkap B	32 As	60 Spanschroefknop
5 Schroef	33 Ring	61 Uitsteeksel
6 Zeskante bout	34 Spouwmes	62 Spanschroefas
7 Handvat	35 Hier drukken	63 Voet
8 Hendel	36 Zeskante bouten	64 Spanschroef
9 Bovenvlak van draaivoet	37 Breedte zaagblad	65 Vulblok
10 Omtrek van zaagblad	38 Trekgeleiderhouder	66 Aluminium werkstuk
11 Geleider	39 Geleiderail op de boventafel	67 Kleine verdikking
12 Wijzer	40 Klemschroef (A)	68 Voorvlak/rand evenwijdig
13 Vergrendelnok	41 Klemschroef (B)	69 Houtschroef
14 Handgreep	42 Trekgeleider	70 Aaneen lijmen
15 Verstekschaal	43 Lijn voor uitlijning	71 Gat (7 mm diameter)
16 Schuine-hoek schaal	44 Werkstuk	72 Drukstok
17 Aan/uit-schakelaar	45 Vierkante moer	73 Hulpgeleider
18 Lampschakelaar	46 Onderlegplaatje	74 Drukblok
19 Laserschakelaar	47 Schaalverdeling	75 Driehoeksliniaal
20 Lampje	48 Stelschroef	76 Stelbout voor 0° schuine hoek
21 Aanslagpen	49 Stofuitlaat	77 Oppervlak van de draaitafel
22 Bovenafel	50 Stofzak	78 Arm
23 Motorhuis	51 Sluitstrip	79 Stelbout voor 45° schuine hoek
24 Middenkap	52 Stofzuiger	80 Schroevendraaier
25 Dopsleutel	53 Zaagbladdeksel	81 Borstelhouderdop
26 Asblokering	54 Steun	82 Knop
27 Zaagblad	55 Draaivoet	
28 Zaagbladkast	56 Hulpbeschermbiad	

TECHNISCHE GEGEVENS

Model	LH1201FL
Diameter zaagblad	305 mm
Dikte zaagbladlichaam	1,9 mm of lager
Diameter zaagbladgat	
Voor alle niet-Europese landen	25,4 mm
Voor alle Europese landen	30 mm
Max. zaagcapaciteiten (H x B) met 305 mm diameter zaagblad in de verstekzaagmodus	

Schuine hoek	Verstekhoek	
	90°	45° (van links naar rechts)
90°	95 mm x 155 mm 62 mm x 200 mm	95 mm x 110 mm 62 mm x 135 mm
45°	64 mm x 155 mm 40 mm x 200 mm	64 mm x 65 mm 40 mm x 85 mm

Max. zaagcapaciteiten bij 90° in de tafelzaagmodus (afkortzaagmodus).....	52 mm
Toerental onbelast (min ⁻¹).....	3 800
Lasertype.....	Rode laser 650 nm, < 1 mW (Laser Klasse 2)
Afmetingen tafel (B x L)	307 mm x 465 mm
Afmetingen (L x B x H)	610 mm x 535 mm x 692 mm
Netto gewicht.....	20,9 kg
Veiligheidsklasse	II/II

- In verband met ononderbroken research en ontwikkeling behouden wij ons het recht voor bovenstaande technische gegevens te wijzigen zonder voorafgaande kennisgeving.
- De technische gegevens kunnen van land tot land verschillen.
- Gewicht volgens de EPTA-procedure 01/2003

Doeleinden van gebruik

Dit gereedschap is bedoeld voor nauwkeurig recht zagen en verstekzagen in hout (alleen wanneer gebruikt als een verstekzaag op de onderste tafel).

Stroomvoorziening

Het gereedschap mag alleen worden aangesloten op een stroombron van hetzelfde voltage als aangegeven op de naamplaat, en kan alleen op enkel-fase wisselstroom worden gebruikt. Het gereedschap is dubbel-geïsoleerd en kan derhalve ook op een niet-geaard stopcontact worden aangesloten.

Algemene veiligheids waarschuwingen voor elektrisch gereedschap

⚠ WAARSCHUWING! Lees alle veiligheids waarschuwingen en alle instructies. Het niet volgen van de waarschuwingen en instructies kan leiden tot elektrische schokken, brand en/of ernstig letsel.

Bewaar alle waarschuwingen en instructies om in de toekomst te kunnen raadplegen.

VEILIGHEIDSVORSCHRIFTEN VOOR DE TAFEL-, AFKORT- EN VERSTEKZAAG

VOOR ZOWEL DE VERSTEKZAAGMODUS ALS DE TAFELZAAG (AFKORTZAAG) MODUS

1. Inspecteer voor elk gebruik het zaagblad zorgvuldig op barsten of vervorming. Vervang een beschadigd zaagblad onmiddellijk.
2. Gebruik de zaag niet als de beschermkappen of het spouwmes ontbreken, vooral na het aanpassen van de werkinstelling. Controleer vóór elk gebruik of de beschermkappen goed sluiten. Gebruik de zaag niet indien de beschermkappen niet goed bewegen en niet snel over het zaagblad sluiten. Klem of bind de beschermkappen nooit in de geopende stand vast. Elke onregelmatige werking van de beschermkappen dient onmiddellijk te worden verbeterd.
3. Gebruik alleen zaagbladen die zijn aanbevolen door de fabrikant en die voldoen aan de norm EN847-1. De breedte van de zaagsnede moet groter zijn dan de dikte van het spouwmes, maar het zaagbladlichaam moet dunner zijn dan het spouwmes.
4. Gebruik geen zaagbladen die gemaakt zijn van sneldraaistaal.
5. Draag een veiligheidsbril.
6. Draag oorbeschermers om aantasting van uw gehoor te voorkomen.
7. Draag handschoenen voor het hanteren van zaagbladen (en bewaar de zaagbladen altijd in een houder waar dat praktisch mogelijk is) en voor ruwe materialen.
8. Sluit het gereedschap aan op een stofvanginrichting wanneer u zaagt.
9. Berg de drukstok altijd op wanneer u hem niet gebruikt.
10. Zorg dat de vloer in de omgeving van de zaag effen is en vrij van obstakels zoals spanen en stukjes afgezaagd hout.

11. De gebruiker dient goed vertrouwd te zijn met het gebruik, de afstelling en de werking van het gereedschap.
12. Als u de zaag onbeheerd achterlaat, schakelt u die uit en trekt u de stekker uit het stopcontact.
13. Houd het zaagblad scherp en schoon om het zaaglawaai te beperken.
14. Gebruik alleen zaagbladen die zijn aangemerkt voor een maximaal toerental gelijk of hoger dan het onbelaste toerental dat staat aangegeven op het gereedschap.
15. Als het gereedschap is toegerust met een laser van LED, vervang dan nooit de laser of LED door één van een ander type. Als reparatie nodig is, verzoekt u een erkend servicecentrum om dat te verichten.
16. Ga nooit afgezaagde stukken of andere delen van het werkstuk verwijderen uit de werkplaats terwijl de zaag nog draait met een zaagblad zonder afscherming.
17. Gebruik het gereedschap niet voor het zagen van groeven, inkepingen of spanningsleuven.
18. Voordat u het gereedschap meedraagt, zorgt u altijd dat de bovenkant van het zaagblad wordt afgedekt door de bovenste beschermkap en dat alle bewegende onderdelen zijn vastgezet. Voor optillen of dragen van het gereedschap mag u nooit de beschermkap als handgreep gebruiken.
19. Bij het vervangen van het zaagblad, dient u de as, de flenzen (vooral hun montagevlak) en de zeskante bout te reinigen. Pas daarbij goed op dat u deze onderdelen niet beschadigt, aangezien dit kan leiden tot zaagbladbreuk. Slechte montage kan trilling/slingering of slippen van het zaagblad veroorzaken. Gebruik alleen flenzen die voor dit gereedschap zijn bestemd.
20. Gebruik uitsluitend de accessoires die in deze gebruiksaanwijzing worden aanbevolen. Het gebruik van ongeschikte accessoires, zoals doorslijpschijven, kan verwondingen tot gevolg hebben.
21. Selecteer het juiste zaagblad in overeenstemming met het te zagen materiaal.
22. Pas op dat u niet gaat zagen in metalen voorwerpen zoals spijkers of schroeven. Inspecteer het werkstuk vóór het gebruik en verwijder alle spijkers, schroeven en andere obstakels.
23. Sla alle losse knopen uit het werkstuk VOORDAT u begint te zagen.
24. Gebruik het gereedschap niet in de nabijheid van ontvlambare vloeistoffen of gassen.
25. Verwijder voor uw eigen veiligheid zaagafval, stukjes hout e.d. uit de werkomgeving en van de werktafel voordat u het gereedschap op een stopcontact aansluit en begint te zagen.
26. Houd uw handen uit de buurt van het zaagblad. Zorg dat u of andere omstanders niet vlak in het zaagbladpad staan. Raak het freewheellende zaagblad niet aan, aangezien dit nog ernstige verwonding kan veroorzaken, en reik uw lichaam nooit dicht bij het zaagblad.
27. Laat uw aandacht nooit verslappen, vooral niet wanneer het werk saai is en uit herhalingen bestaat. Laat u niet door een vals gevoel van veiligheid misleiden, aangezien zaagbladen altijd uiterst gevaarlijk zijn.

28. Zet de asblokkering in de vrije stand alvorens de trekschakelaar in te drukken.
 29. Laat het gereedschap een tijdje draaien alvorens het op het werkstuk te gebruiken. Controleer op trilling of slingering die op onjuiste installatie of een slecht gebalanceerd zaagblad kunnen wijzen.
 30. Wacht totdat het zaagblad met volle snelheid draait, alvorens het werkstuk te zagen.
 31. Stop onmiddellijk met zagen wanneer u iets abnormaals waarneemt.
 32. Schakel het gereedschap uit en wacht totdat het zaagblad tot stilstand is gekomen alvorens het werkstuk te verwijderen of instellingen te wijzigen.
 33. Haal de stekker uit het stopcontact wanneer u het zaagblad wilt vervangen, onderhoud wilt uitvoeren, of het gereedschap niet gebruikt.
 34. Het zaagstof van bepaalde materialen bevat chemicaliën die kanker, geboortefwijkingen of andere voortplantingsdefecten kunnen veroorzaken. Enkele voorbeelden van dergelijke chemicaliën zijn:
 - lood in loodhoudende verfmaterialen en
 - arseen en chroom in chemisch behandeld hout.

Het gevaar van blootstelling hangt af van hoe vaak u werkt met dit soort materiaal. Om blootstelling aan deze chemicaliën te beperken: werk in een goed geventileerde omgeving en gebruik geschikte beschermuitrusting zoals een stofmasker dat speciaal ontworpen is voor het uifilteren van microscopische deeltjes.
 35. Zelfs al wordt het gereedschap precies gebruikt zoals beschreven, dan nog kan niet alle risico worden vermeden. De volgende risico's kunnen zich voordoen in verband met het ontwerp en de constructie van het gereedschap.
 - Schade aan de gezondheid, die kan ontstaan door trillingen van de hand en arm als het gereedschap langdurig achtereen wordt gebruikt of niet juist wordt bediend of onderhouden.
 - Letsel of schade, veroorzaakt door loszittende accessoires die plotseling van het gereedschap los kunnen raken door afbreken, slijtage of onjuiste montage.
- BIJ GEBRUIK IN DE VERSTEKZAAGMODUS:**
36. Vervang de zaagsnedeplaat wanneer deze versleten is.
 37. Gebruik een drukstok of een drukblok om te voorkomen dat u met uw handen en vingers dicht bij het zaagblad werkt.
 38. Zorg dat de arm goed vastgemaakt is wanneer u schuine sneden zaagt. Draai de hendel naar rechts om de arm vast te zetten.
 39. Werk nooit met de losse hand. Het werkstuk moet tijdens alle werkzaamheden stevig met de spanschroef zijn vastgezet tegen de draaivoet en de geleider. Gebruik nooit uw handen om het werkstuk vast te houden.
 40. Zorg vóór elke zaagsnede dat het gereedschap goed stabiel is.
 41. Monteer het gereedschap aan een werkbank wanneer dat nodig is.
 42. Ondersteun lange werkstukken met geschikte extra steunen of schragen.
 43. Ga nooit zagen in een werkstuk dat te klein is om stevig in de spanschroef te klemmen. Een werkstuk dat niet goed vast zit kan terugslag en daardoor ernstige verwondingen veroorzaken.
 44. Gebruik de zaag niet voor het zagen van andere materialen dan hout, aluminium of soortgelijk materiaal.
 45. Zorg dat de draaivoet goed vastgemaakt is zodat hij tijdens het zagen niet kan bewegen.
 46. Zorg dat het zaagblad in zijn laagste positie niet in aanraking komt met de draaitafel, en niet met het werkstuk in contact komt voordat de trekshakelaar wordt ingedrukt.
 47. Houd het handvat stevig vast. Denk eraan dat de zaag bij het starten en stoppen even op en neer gaat.
- BIJ GEBRUIK IN DE TAFELZAAG (AFKORTZAAG) MODUS:**
48. Zorg dat de arm goed in de werkpositie is vastgemaakt. Draai de hendel naar rechts vast om de arm vast te zetten.
 49. Zorg dat de zaagtafel stevig is vastgemaakt op de gekozen hoogte.
 50. Werk nooit met de losse hand. Uit de vrije hand wil zeggen dat u het werkstuk met uw handen ondersteunt of stuurt, in plaats van met de trekgeleider.
 51. Zorg dat het zaagblad niet met het spouwmes of het werkstuk in aanraking is wanneer u de trekshakelaar indrukt.
 52. Let goed op de voorzorgsmaatregelen voor het beperken van TERUGSLAG. TERUGSLAG is een plotselinge reactie die het gevolg is van een geklemd, geblokkeerd of slecht uitgelijnd zaagblad. Bij TERUGSLAG wordt het werkstuk uit de zaag naar de gebruiker teruggeslagen. TERUGSLAG KAN LEIDEN TOT ERNSTIGE PERSOONLIJKE VERWONDING. Volg deze maatregelen om TERUGSLAG te voorkomen: houd het zaagblad altijd scherp; houd de trekgeleider evenwijdig met het zaagblad; houd het spouwmes en de beschermkap op hun plaats en in goede staat; maak het werkstuk pas los nadat het volledig doorheen het zaagblad is gegaan; schulp nooit een werkstuk dat verbogen of kromgetrokken is of geen rechte rand heeft die langs de geleider kan schuiven.
 53. Vermijd het plotseling of snel aanvoeren van het werkstuk. Harde werkstukken dienen zo langzaam mogelijk te worden aangevoerd. Buig of verdraai het werkstuk niet tijdens het aanvoeren. Schakel het gereedschap onmiddellijk uit indien het zaagblad klemraakt of blokkeert. Haal de stekker uit het stopcontact en maak het zaagblad vrij.
- BEWAAR DEZE VOORSCHRIFTEN.**
- ⚠ WAARSCHUWING:**
LAAT NIET uw vertrouwen met het gereedschap (na regelmatig gebruik) omslaan in slordigheid of onachtzaamheid omtrent de strikt na te leven veiligheidsvoorschriften voor dit product. VERKEERD GEBRUIK of het niet naleven van de veiligheidsvoorschriften in deze gebruiksaanwijzing kan leiden tot ernstige verwondingen.

INSTALLEREN

⚠ LET OP:

- Houd de vloer rondom het gereedschap schoon en vrij van obstakels zoals zaagspanen of afgezaagde stukken.

Op een werktafel monteren (Fig. 1)

Dit gereedschap dient op een vlak en stabiel oppervlak te worden vastgezet door middel van bouten die u vastdraait in de boutgaten in de voet van het gereedschap. Hierdoor wordt voorkomen dat het gereedschap omkanfelt en mogelijk verwondingen veroorzaakt.

BESCHRIJVING VAN DE FUNCTIES

⚠ LET OP:

- Zorg altijd dat het gereedschap is uitgeschakeld en zijn stekker uit het stopcontact is verwijderd alvorens de functies op het gereedschap af te stellen of te controleren.

Beschermkap (Fig. 2 en 3)

⚠ LET OP:

- Controleer of het handvat niet omlaag kan worden gebracht zonder dat de hendel bij het handvat naar links wordt gedrukt.
- Controleer of de onderste beschermkappen A en B niet opengaan tenzij de hendel bij het handvat naar de hoogste positie wordt gedrukt.

Wanneer u de hendel naar links drukt om het handvat omlaag te brengen, gaat de onderste beschermkap A automatisch omhoog. De onderste beschermkappen zijn veerbelast zodat ze naar hun oorspronkelijke positie terugkeren wanneer het zagen is voltooid en het handvat omhoog wordt gebracht. De bovenste beschermkap valt plat op het bovenvlak nadat het werkstuk eronder is gegaan. **DE ONDERSTE BESCHERMKAPPEN, DE VEER DIE ERAAN IS BEVESTIGD, EN DE BOVENSTE BESCHERMKAP MOGEN NOOIT WORDEN VASTGEZET OF VERWIJDERD.**

Voor uw persoonlijke veiligheid dienen de beschermkappen altijd in goede staat te worden gehouden. Elke onregelmatigheid in hun werking dient onmiddellijk te worden hersteld. Controleer of de onderste verende beschermkappen goed terugkeren. **GEBRUIK HET GEREEDSCHAP NOOIT WANNEER DE ONDERSTE BESCHERMKAPPEN, DE VEREN OF DE BOVENSTE BESCHERMKAP BESCHADIGD, DEFECT OF VERWIJDERD ZIJN. DIT IS NAMELIJK BIJZONDER GEVAARLIJK EN KAN ERNSTIGE PERSOONLIJKE VERWONDINGEN TOT GEVOLG HEBBEN.**

Als een van deze transparante beschermkappen vuil is of met zaagsel is bedekt zodat het zaagblad niet meer goed zichtbaar is, trek dan de stekker uit het stopcontact en veeg de beschermkappen zorgvuldig schoon met een vochtige doek. Gebruik voor het schoonmaken van de plastic beschermkap nooit oplosmiddelen of benzinehoudende schoonmaakmiddelen.

Als de onderste beschermkap A erg vuil is zodat u er moeilijk doorheen kunt zien, ga dan als volgt te werk. Zet de boventafel vast in de hoogste positie, breng het handvat volledig omhoog, druk de aanslagpen volledig naar binnen, en gebruik de meegeleverde dopsleutel om de zeskante bout van de middenkap los te draaien. Draai de zeskante bout naar links los en breng de onderste beschermkap A en de middenkap omhoog terwijl u de hendel naar links drukt. In deze positie kan de onderste beschermkap A grondiger en gemakkelijker worden schoongemaakt. Voer deze procedure in de omgekeerde volgorde uit en draai de bout weer vast nadat het schoonmaken is voltooid.

Om de bovenste beschermkap schoon te maken, draai de schroef ervan los met een schroevendraaier en verwijder de bovenste beschermkap. Breng de beschermkap na het reinigen weer aan en draai de schroef zodanig vast dat de bovenste beschermkap soepel op en neer beweegt.

Als een van de beschermkappen door ouderdom of blootstelling aan ultraviolet-licht verkleurd is geraakt, neem dan contact op met een Makita servicecentrum voor een nieuwe beschermkap. **DE BESCHERMKAPPEN NOOIT VASTZETTEN OF VERWIJDEREN.**

Handhaven van de maximale zaagcapaciteit (Fig. 4)

Dit gereedschap is in de fabriek ingesteld voor het leveren van maximale zaagcapaciteit met een 305 mm zaagblad.

⚠ LET OP:

- Na het installeren van een nieuw zaagblad, dient u altijd te controleren of het zaagblad met geen enkel deel van het onderste voetstuk in aanraking komt wanneer het handvat volledig omlaag is gebracht. Voer deze controle altijd uit met de stekker uit het stopcontact verwijderd.

Instellen van de verstekhoek (Fig. 5)

Draai de handgreep naar links los. Verdraai de draaivoet terwijl u de vergrendelknop ingedrukt houdt. Beweeg de handgreep naar de positie waar de wijzer de gewenste hoek op de verstekschaal aanwijst en draai dan de handgreep weer stevig naar rechts vast.

⚠ LET OP:

- Voor het verdraaien van de draaivoet dient u het handvat in de hoogste positie te plaatsen.
- Na het wijzigen van de verstekhoek, dient u de draaivoet altijd vast te zetten door de handgreep stevig vast te draaien.

Instellen van de schuine hoek (Fig. 6 en 7)

Om de schuine hoek in te stellen, draait u de hendel op de achterkant van het gereedschap naar links los. Duw het handvat naar links om het zaagblad te kantelen totdat de wijzer naar de gewenste hoek op de schuinehoek schaal wijst. Draai daarna de hendel weer stevig naar rechts vast om de arm te vergrendelen.

⚠ LET OP:

- Voor het schuin zetten van het zaagblad dient u het handvat in de hoogste positie te plaatsen.
- Na het wijzigen van de schuine hoek, dient u altijd de arm vast te zetten door de hendel naar rechts vast te draaien.

Werking van de schakelaar (Fig. 8)

⚠ LET OP:

- Controleer vóór ieder gebruik of het gereedschap goed in- en uitschakelt.

Druk de ON (I) knop in om het gereedschap te starten. Druk de OFF (O) knop in om te stoppen.

Aanzetten van de lampen (Fig. 9)

Druk op het bovenste gedeelte van de schakelaar om de lamp aan te zetten, en op het onderste gedeelte om de lamp uit te doen.

⚠ LET OP:

- Kijk niet direct in het lamplicht of in de lichtbron.

OPMERKING:

- Gebruik een droge doek om vuil op de lens van de lamp eraf te vegen. Pas op dat u geen krassen maakt op de lens, omdat de verlichtingssterkte hierdoor zal verminderen.

Werking van de laserstraal (Fig. 10)

⚠ LET OP:

- LASERSTRALING
Niet recht in de straal kijken.

Om de laser in te schakelen, drukt u op de bovenkant (I) van de schakelaar. Om de laserstraal uit te schakelen, drukt u op het onderste deel (O) van de schakelaar.

De boventafel omhoog of omlaag verstellen (Fig. 11)

Om de boventafel omhoog of omlaag te verstellen, zet u de twee hendels los door ze linksom te draaien en dan draait u aan de knop. Om de boventafel hoger te zetten, draait u de knop naar rechts. Om de boventafel lager te zetten, draait u de knop naar links. Na het instellen op de gewenste stand zet u deze hendels allebei weer stevig vast.

⚠ WAARSCHUWING:

- Plaats de boventafel in de hoogste stand wanneer u dit gereedschap gebruikt als verstekzaag, of in de gewenste stand bij gebruik als tafelzaag (zaagbankstand).

INEENZETTEN

⚠ LET OP:

- Zorg altijd dat het gereedschap is uitgeschakeld en zijn stekker uit het stopcontact is verwijderd alvorens enig werk aan het gereedschap uit te voeren.

Installeren of verwijderen van het zaagblad

⚠ LET OP:

- Zorg altijd dat het gereedschap is uitgeschakeld en zijn stekker uit het stopcontact is verwijderd alvorens het zaagblad te installeren of te verwijderen.
- Gebruik voor het installeren of verwijderen van het zaagblad uitsluitend de bijgeleverde Makita dopsleutel. Doet u dit niet, dan kan de zeskante bout te vast of te los worden aangedraaid. Dit kan leiden tot persoonlijke verwonding.

Zet de boventafel vast in de hoogste positie.

Druk de aanslagpen in om het handvat in de omhoogpositie te vergrendelen. (Fig. 12)

Gebruik vervolgens de dopsleutel om de zeskante bout van de middenkap naar links los te draaien. Breng de onderste beschermkap A en de middenkap omhoog terwijl u de hendel bij het handvat naar links drukt. (Fig. 13 en 14)

Druk de asblokkering in om de as te vergrendelen en draai met de dopsleutel de zeskante bout naar rechts los. Verwijder vervolgens de zeskante bout, de buitenflens en het zaagblad. (Fig. 15)

Om het zaagblad te installeren, monteert u het zaagblad zorgvuldig op de as, ervoor zorgend dat de pijltjes op het zaagblad en op de zaagbladkast in dezelfde richting wijzen. Monteer de buitenflens en de zeskante bout, en draai met de dopsleutel de zeskante bout (linkse schroefdraad) stevig naar links vast terwijl u daarbij de asblokkering ingedrukt houdt. (Fig. 16 en 17)

⚠ LET OP:

- Een ring met buitendiameter van 25,4 mm of 30 mm is in de fabriek op de as aangebracht. Alvorens het zaagblad op de as te monteren, moet u altijd zorgen dat de juiste ring, voor het asgat van het zaagblad dat u gaat gebruiken, op de as is gemonteerd. (Fig. 18)

Breng de onderste beschermkap A en de middenkap terug naar hun oorspronkelijke positie. Draai daarna de zeskante bout naar rechts vast om de middenkap vast te zetten. Breng de onderste beschermkap B zo ver mogelijk omhoog en draai de klemschroef goed vast terwijl u de onderste beschermkap B in de omhoogpositie houdt. Breng het handvat omlaag om te controleren of de onderste beschermkappen goed bewegen. Zet de asblokkering in de vrije stand alvorens te gaan zagen.

Afstellen van het spouwmes

Voor het bijstellen van het spouwmes zet u de twee hendels los door ze linksom te draaien en dan verstelt u de boventafel in de laagste stand door de knop naar links te draaien. Zet vervolgens de boventafel stevig vast door de twee hendels opnieuw vast te draaien zoals afgebeeld. (Fig. 19)

De afstand tussen het spouwmes en de zaagblattanden dient ongeveer 4 – 5 mm te zijn. Stel het spouwmes af door de twee zeskante bouten met de dopsleutel naar links los te draaien en de afstand te meten. Trek na het afstellen de zeskante bouten stevig aan, en controleer of de bovenste beschermkap soepel werkt alvorens te gaan zagen. (Fig. 20)

In de fabriek werd het spouwmes zodanig gemonteerd dat het zaagblad en het spouwmes in rechte lijn gemonteerd zijn. (Fig. 21)

⚠ LET OP:

- Als het zaagblad en het spouwmes niet juist uitgelijnd zijn, kan het zaagblad tijdens het gebruik vastgeklemd raken. Zorg ervoor dat het spouwmes is gepositioneerd, van bovenaf gezien, tussen beide uiteinden van de tanden van het zaagblad. Zoniet, dan bestaat er gevaar voor verwonding. In geval van slechte uitlijning dient u het gereedschap door een erkend Makita servicecentrum te laten nazien.
- Verwijder het spouwmes niet.

Installeren en afstellen van de trekgeleider

1. Installeer de trekgeleider op de tafel zodat de trekgeleiderhouder in de geleiderail past. Draai de klemschroef (B) van de trekgeleider stevig naar rechts vast.
2. Draai de klemschroef (A) los.

3. Verschuif de trekgeleider en zet hem vast zodat het verst van u verwijderde uiteinde van de trekgeleider overeenkomt met het punt waar de voorrand van het zaagblad net uit het bovenvlak van het werkstuk komt. Deze afstelling is nodig om het gevaar voor terugslag te verminderen, d.w.z. om te voorkomen dat het afgezaagde gedeelte van het werkstuk tussen het zaagblad en de trekgeleider gekneld raakt en naar de gebruiker wordt teruggeslagen. De lijn 3 varieert afhankelijk van de dikte van het werkstuk of de tafelhoogte. Stel de positie van de trekgeleider af in overeenstemming met de dikte van het werkstuk. Nadat de trekgeleider is afgesteld, trekt u de klem-schroef (A) weer stevig aan. (Fig. 22 en 23)

OPMERKING:

- In de verstekzaagstand moet de geleiderail aan de linker- kant van het zaagblad worden gemonteerd. (Fig. 24)

OPMERKING:

- Zoals afgebeeld (Fig. 25) zijn er vier patronen voor het plaatsen van de trekgeleider. De trekgeleider heeft twee sleuven op de zijkanten. Een van deze sleuven heeft een verhoogde rand eraan, en de andere niet. Gebruik het vlak met de verhoogde rand naar het werk- stuk gericht alleen wanneer u een dun werkstuk wilt zagen.

OPMERKING:

- Om het patroon van de trekgeleider te veranderen, verwijdt u de trekgeleider van de trekgeleiderhouder door de klem-schroef (A) los te draaien en dan plaatst u de trekgeleider in de houder in overeenstemming met het uit te voeren werk, zoals afgebeeld. Monteer de vierkante moer op de trekgeleiderhouder in het achter- einde van een van de sleuven in de trekgeleider zodat deze passen zoals afgebeeld.

Om te veranderen van patroon A of B naar patroon C of D, of omgekeerd, verwijdt u de vierkante moer, de vulring en de klem-schroef (A) van de trekgeleiderhou- der, en vervolgens monteert u de klem-schroef (A), de vulring en de vierkante moer aan de tegenovergestelde zijde van de trekgeleiderhouder. Trek de trekgeleider (A) stevig aan nadat de vierkante moer van de trekge- leiderhouder in de sleuf van de trekgeleider is gemon- teerd.

Monteer de vierkante moer op de trekgeleiderhouder in het achterend van een van de sleuven in de trekgelei- der zodat deze passen zoals afgebeeld. (Fig. 26)

De trekgeleider is in de fabriek evenwijdig met het zaagblad ingesteld. Zorg dat deze altijd evenwijdig zijn. Om te controleren of deze evenwijdig zijn, dient u de tafel in de laagste positie te zetten zodat het zaagblad bij het hoogste punt van de tafel te zien is. Markeer een van de zaagbladtanden met een krijt. Meet de afstan- den (A) en (B) tussen de trekgeleider en het zaagblad. Maak beide metingen aan de hand van de gemar- keerde zaagbladtand. (Fig. 27) Deze twee afstanden dienen gelijk te zijn. Ga als volgt te werk indien de trek- geleider niet evenwijdig is met het zaagblad: (Fig. 28)

- (1) Draai de stelschroeven linksom.
- (2) Schuif de achterrand van de trekgeleider ietwat naar rechts of links totdat deze evenwijdig is met het zaagblad.
- (3) Draai de stelschroef op de geleiderail stevig vast.

⚠ LET OP:

- Zorg dat de trekgeleider altijd evenwijdig is met het zaagblad, omdat er anders gevaar is voor gevaarlijke terugslag.
- Stel de trekgeleider zodanig in dat hij niet in aanraking komt met de bovenste beschermkap of het zaagblad. (Fig. 29)

Stofzak

Door de stofzak te gebruiken wordt het zaagsel opgevan- gen en kunt u schoon werken. Om de stofzak te bevesti- gen, monteert u hem op de stofuitlaat op het gereedschap. (Fig. 30)

OPMERKING:

- Voor verstekzagen mag de stofzak enkel op de achter- ste stofuitlaat worden gemonteerd.

Wanneer de stofzak ongeveer halfov is, verwijdert u hem van het gereedschap en trekt u de sluitstrip eruit. Maak de stofzak leeg en tik er lichtjes op voor het verwijderen van achtergebleven stofdeeltjes die de stofopvanging zouden kunnen belemmeren. (Fig. 31)

U kunt doeltreffender en schoner werken door een stof- zuiger op de zaag aan te sluiten.

Bij gebruik als tafelzaag sluit u een stofzuiger aan.

Tafelzaagstand (Fig. 32)

Verstekzaagstand (Fig. 33)

Om het zaagbladdeksel te installeren voor gebruik in de tafelzaag (afkortzaag) modus, draait u de draaivoet naar de 0° verstekhoek (zie het gedeelte "Instellen van de ver- stekhoek"). Plaats vervolgens het zaagbladdeksel op de draaitafel zodat het zaagbladdeksel over de sleuf voor het zaagblad in de draaitafel komt te zitten. Vergrendel daarna het handvat in de laagste positie door de aan- slagpen volledig naar binnen te drukken zoals afgebeeld.

OPMERKING:

- Installeer altijd het zaagbladdeksel op de draaitafel wanneer u het gereedschap in de tafelzaag (afkort- zaag) modus gaat gebruiken.

Vastzetten van het werkstuk

Zet het werkstuk, indien mogelijk, altijd vast met de optio- nele spanschroef. Als u het werkstuk met de hand dient vast te houden, houd het dan altijd zo stevig mogelijk vast. Houd uw hand en arm op redelijke afstand van het zaagblad (minstens 100 mm). Druk het werkstuk stevig tegen de geleider met uw vingers boven de geleider. Zorg ook dat het werkstuk vast op de draaivoet rust.

⚠ WAARSCHUWING:

- Gebruik nooit uw hand voor het vasthouden van een werkstuk waarbij uw hand minder dan 100 mm van het zaagblad verwijderd is. Gebruik in dit geval altijd de los verkrijgbare spanschroef om het werkstuk vast te zet- ten. Breng het zaagblad na het zagen voorzichtig omhoog. Breng het zaagblad pas omhoog nadat het volledig tot stilstand is gekomen, omdat er anders gevaar is voor ernstige verwonding.

⚠ LET OP:

- Bij het zagen van lange werkstukken moet u steunen gebruiken die even hoog zijn als het bovenvlak van de draaivoet. Verlaat u niet alleen op de verticale en/of horizontale spanschroef (los verkrijgbaar) om het werk- stuk op zijn plaats te houden. (Fig. 34)
Dun materiaal hangt gemakkelijk door. Ondersteun het werkstuk over zijn hele lengte om vastklemmen van het zaagblad en mogelijke TERUGSLAG te voorkomen.

Hulpbeschermbiad (alleen voor Europese landen) (Fig. 35)

Dit gereedschap is voorzien van een hulpbeschermbiad. Gewoonlijk kunt u het hulpbeschermbiad ingeklapt laten. Voor het links schuin zagen echter klapt u het hulpbeschermbiad uit.

⚠ LET OP:

- Voor het links schuin zagen klapt u het hulpbeschermbiad uit. Anders zou dat het zaagblad of een deel van het gereedschap kunnen raken, met kans op ernstige verwondingen voor de gebruiker.

Verticale spanschroef (Fig. 36)

De verticale spanschroef kan aan de linker- of rechterzijde van de geleider worden gemonteerd. Steek de stang van de spanschroef in het gat in de geleider of houdermontage en trek de schroef aan om de stang vast te zetten.

Zet de arm van de spanschroef in de positie die geschikt is voor de dikte en vorm van het werkstuk, en zet de arm vast door de schroef vast te draaien. Indien de schroef in aanraking komt met de geleider, moet u deze aan de tegenovergestelde zijde van de spanschroefarm monteren. Controleer of geen enkel deel van het gereedschap in aanraking komt met de spanschroef wanneer het handvat volledig omlaag wordt gebracht. Indien dit wel het geval is, moet u de positie van de spanschroef veranderen.

Druk het werkstuk vlak tegen de geleider en de draai-voet. Plaats het werkstuk in de gewenste zaagpositie en zet het stevig vast door de knop van de spanschroef vast te draaien.

⚠ LET OP:

- Het werkstuk dient stevig tegen de draai-voet en de geleider vastgezet te zijn.

Horizontale spanschroef (los verkrijgbaar accessoire) (Fig. 37)

De horizontale spanschroef kan aan de linker- of rechterzijde van de gereedschapsvoet worden geïnstalleerd. Voor versteksneden van 30° of meer, installeert u de horizontale spanschroef aan de tegenovergestelde zijde van de richting waarin de draai-voet zal worden gedraaid. Door de knop van de spanschroef naar links te draaien wordt de spanschroef in de vrije stand gezet en kunt u de spanschroefas snel naar binnen en naar buiten bewegen. Door de knop van de spanschroef naar rechts te draaien wordt de spanschroef vastgezet. Om het werkstuk te grijpen, draait u de knop van de spanschroef langzaam naar rechts totdat het uitsteeksel zijn hoogste positie bereikt, en daarna draait u de knop stevig vast. Indien de spanschroefknop naar binnen of naar buiten wordt getrokken terwijl u hem naar rechts draait, kan het uitsteeksel in een schuine positie stoppen. In dit geval draait u de spanschroefknop terug naar links totdat de spanschroef los komt, en dan draait u hem weer langzaam naar rechts.

De maximale breedte van werkstukken die met de horizontale spanschroef kunnen worden vastgezet is 200 mm.

BEDIENING

⚠ WAARSCHUWING:

- Wanneer u het gereedschap als een verstekzaag gebruikt, dient u de boventafel in de hoogste positie te zetten zodat het zaagblad nooit uit het bovenvlak van de boventafel naar buiten steekt.

⚠ LET OP:

- Voordat u het gereedschap inschakelt, dient u het handvat uit zijn omlaagpositie te halen door de aanslagpen naar buiten te trekken.
- Zorg dat het zaagblad niet in aanraking is met het werkstuk e.d. voordat u de trekschakelaar indrukt.

GEbruIKEN ALS EEN VERSTEKZAAG

⚠ LET OP:

- Oefen tijdens het zagen geen overmatige druk op het handvat uit. Wanneer u te hard drukt, kan de motor overbelast raken en/of de zaagcapaciteit verminderen. Druk alleen zo hard als nodig is voor soepel zagen zonder dat de draaisnelheid van de zaag aanzienlijk vermindert.
- Druk het handvat zachtjes naar beneden om te zagen. Indien het handvat met geweld naar beneden wordt gedrukt of zijwaartse druk erop wordt uitgeoefend, zal het zaagblad trillen en een merkteken (zaagteken) in het werkstuk achterlaten, en zal ook de zaagsnede minder nauwkeurig zijn.

1. Drukkend zagen (Fig. 38)

Zet het werkstuk vast tegen de geleider en de draaitafel. Schakel het gereedschap in zonder dat het zaagblad met het werkstuk in contact is, en wacht totdat het zaagblad op volle toeren draait. Breng dan het handvat langzaam omlaag naar de laagste positie om het werkstuk te zagen. Nadat het zagen is voltooid, schakelt u het gereedschap uit. **WACHT TOTDAT HET ZAAGBLAD VOLLEDIG TOT STILSTAND IS GEKOMEN** alvorens het zaagblad naar zijn hoogste positie terug te brengen.

2. Verstekzagen

Zie het gedeelte "Instellen van de verstekhoek" hierboven.

3. Schuine sneden zagen (Fig. 39)

Draai de hendel los en zet het zaagblad schuin om de schuine hoek in te stellen (zie "Instellen van de schuine hoek" hierboven). Draai daarna de hendel weer stevig vast om de gekozen schuine hoek goed vast te houden. Zet het werkstuk vast tegen de geleider en de draaitafel. Schakel het gereedschap in zonder dat het zaagblad met het werkstuk in contact is en wacht totdat het zaagblad op volle toeren draait. Breng dan het handvat langzaam omlaag naar de laagste positie door druk uit te oefenen evenwijdig met het zaagblad. Nadat het zagen is voltooid, schakelt u het gereedschap uit. **WACHT TOTDAT HET ZAAGBLAD VOLLEDIG TOT STILSTAND IS GEKOMEN** alvorens het zaagblad naar zijn hoogste positie terug te brengen.

⚠ LET OP:

- Controleer tijdens het zagen van schuine sneden altijd of het zaagblad in schuine richting naar beneden beweegt. Houd uw handen uit de buurt van het zaagblad.

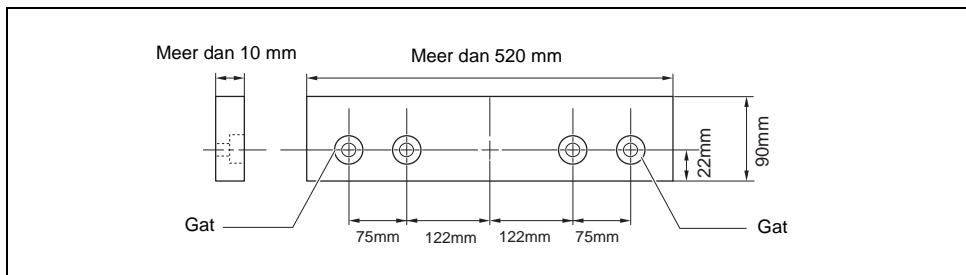
- Tijdens het zagen van schuine sneden kan het gebeuren dat het afgezaagde stuk tegen de zijkant van het zaagblad komt te liggen. Indien het zaagblad omhoog wordt gebracht terwijl het nog draait, kan dit stuk door het draaiende zaagblad worden gegrepen zodat brokstukken in het rond worden geslingerd, hetgeen natuurlijk gevaarlijk is. Breng daarom het zaagblad omhoog ALLEEN nadat het volledig tot stilstand is gekomen.
- Wanneer u het handvat omlaag drukt, dient u druk uit te oefenen evenwijdig met het zaagblad. Indien de druk tijdens het zagen niet evenwijdig is met het zaagblad, kan de hoek van het zaagblad verschuiven zodat de zaagsnede minder nauwkeurig zal zijn.
- (Alleen voor Europese landen) Klap voor het links schuin zagen altijd het hulpbeschermblad buitenwaarts.

4. Gecombineerd zagen

Gecombineerd zagen betekent dat het werkstuk tegelijk met een schuine hoek en een verstekhoek wordt gezaagd. Gecombineerd zagen is mogelijk voor de hoeken aangegeven in de onderstaande tabel.

Schuine hoek	Verstekhoek
45°	Links en Rechts 0° – 45°

006366



015190

⚠ LET OP:

- Gebruik als houten hulpstuk een recht stuk hout van gelijke dikte.
- Gebruik schroeven om het houten hulpstuk aan de geleider te bevestigen. Zorg dat de schroefkoppen niet uit het bovenzvlak van het houten hulpstuk steken.
- Draai de draaivoet na het bevestigen van het houten hulpstuk niet met het handvat in de omlaagpositie. Als u dit doet, kan het zaagblad en/of het houten hulpstuk worden beschadigd.

GEbruIKEN ALS EEN TafelZaag (AFKORTZAAG)

Wanneer u dit gereedschap gebruikt als tafelzaag (zaagbankstand), plaatst u de zaagbladbeschermkap op de draaitafel, zodat de beschermkap precies midden over de gleuf voor het zaagblad in de draaitafel komt en de twee kleine uitsteeksels aan de onderkant van de beschermkap passen in de halfronde gleuf in de rand van de geleider op de draaitafel, zoals getoond in de afbeelding. Vervolgens zet u de hendel vast in de laagste stand door de aanslagpen geheel in te drukken. Als de zaagbladbeschermkap niet is vastgezet, kan de tafel niet omlaag worden gebracht. (Fig. 41)

Voor de bedieningen voor gecombineerd zagen, zie de beschrijvingen onder "Drukkend zagen", "Verstekzagen", en "Schuine sneden zagen".

5. Zagen van aluminium werkstukken (Fig. 40)

Gebruik vulblokken of afgedankte blokstukken voor het vastzetten van aluminium werkstukken, zoals afgebeeld, om vervorming van de aluminium te voorkomen. Gebruik voor het zagen ook zaagolie, om te voorkomen dat aluminium zaagsel zich op het zaagblad vastzet.

⚠ LET OP:

- Probeer nooit om dikke of ronde aluminium werkstukken te zagen. Dikke aluminium werkstukken kunnen tijdens het zagen los komen, terwijl ronde aluminium werkstukken op dit gereedschap niet goed kunnen worden vastgezet.
- Zaag nooit aluminium werkstukken in de tafelzaag (afkortaag) modus.

6. Houten hulpstuk

Het gebruik van een houten hulpstuk helpt om splinter-vrije sneden te krijgen. Gebruik de gaten in de geleider om een houten hulpstuk aan de geleider te bevestigen. Zie de afbeelding voor de afmetingen van een dergelijk houten hulpstuk.

Bij de gereedschappen voor Europese landen klappt u het hulpbeschermblad buitenwaarts voordat u het zaagblad-deksel plaatst.

⚠ LET OP:

- Gebruik altijd "werkassistenten" zoals drukstukken en drukklokken wanneer er gevaar is dat uw handen of vingers dicht bij het zaagblad zullen komen.
- Houd het werkstuk altijd goed vast op de tafelblad met behulp van breedtegeleider. Buig of verdraai het werkstuk niet tijdens het aanvoeren. Als het werkstuk gebogen of verdraaid wordt, kan gevaarlijke terugslag optreden.
- Verwijder NOOIT het werkstuk terwijl het zaagblad nog draait. Als het werkstuk verwijderd dient te worden voordat de snede is voltooid, schakel dan eerst het gereedschap uit terwijl u het werkstuk stevig vasthoudt. Verwijder het werkstuk pas nadat het zaagblad volledig tot stilstand is gekomen. Als u dit verzuimt, bestaat er gevaar voor terugslag.
- Verwijder NOOIT afgezaagd materiaal terwijl het zaagblad nog draait.
- Kom NOOIT met uw handen of vingers in het pad van het zaagblad.
- Zet de trekgeleider altijd stevig vast, omdat er anders gevaar is voor terugslag.

- Gebruik altijd hulpmiddelen zoals duwstokken en duwblokken wanneer u kleine of smalle werkstukken zaagt.

Werkassistenten

Drukstokken, drukblokken of hulpgeleiders zijn een soort "werkassistenten". Gebruik deze hulpmiddelen om veilig te kunnen zagen zodat de gebruiker een deel van het gereedschap dient aan te raken.

Drukblok (Fig. 42)

Gebruik een stuk gelaagd hout van 15 mm dikte. Het handvat dient in het midden van het stuk gelaagd hout te komen. Bevestig met lijm en houtschroeven, zoals afgebeeld. Een stukje hout van 10 mm x 9 mm x 30 mm dient altijd aan het gelaagd hout gelijmd te worden, om afstomping van het zaagblad te voorkomen indien de gebruiker per ongeluk in het drukblok zaagt. (Sla nooit spijkers in het drukblok.)

Hulpgeleider (Fig. 43 en 44)

Maak een hulpgeleider uit stukken gelaagd hout van 10 mm en 15 mm.

Verwijder de trekgeleider, de klemschroef (A), de platte vulring en de vierkante moer van de trekgeleiderhouder. Bevestig vervolgens de hulpgeleider aan de trekgeleiderhouder door middel van een M6 bout die langer is dan M6 x 50, vulringen en een moer.

Schulpen

⚠ LET OP:

- Gebruik altijd steunen achter de tafel wanneer u lange of grote werkstukken wilt zagen. Sta NIET toe dat een lange plank op de tafel kan bewegen of verschuiven. Het zaagblad kan dan namelijk klemmen zodat er gevaar is voor terugslag en persoonlijke verwonding. De steun dient even hoog te zijn als de tafel.
1. Stel de zaagdiepte iets hoger in dan de dikte van het werkstuk. Stel in door de twee hendels los te draaien en de boventafel hoger of lager te zetten.
 2. Positioneer de trekgeleider op de gewenste breedte en zet hem vast met de klemschroef (A). Controleer voordat u gaat zagen of de twee schroeven van de trekgeleiderhouder goed vastzitten. Indien niet, trek de schroeven steviger aan.
 3. Schakel het gereedschap in en voer het werkstuk langs de trekgeleider langzaam doorheen het zaagblad.
 - (1) Gebruik een drukstok indien de schulpbreedte 40 mm of meer is. (Fig. 45)
 - (2) Wanneer de schulpbreedte minder dan 40 mm is, kan de drukstok niet worden gebruikt omdat hij tegen de bovenste beschermkap zal stoten. Gebruik een hulpgeleider en een drukblok. Maak de hulpgeleider stevig vast aan de trekgeleiderhouder op de tafel. Voer het werkstuk aan met uw hand totdat zijn uiteinde ongeveer 25 mm verwijderd is van de voorrand van de boventafel. Voer daarna verder aan met behulp van het drukblok op de hulpgeleider totdat de snede voltooid is. (Fig. 46)

Dragen van het gereedschap

Zorg dat de stekker uit het stopcontact is verwijderd. De tafel moet worden vastgezet in de hoogste stand. Zet het zaagblad vast op de 0° schuine hoek en de draaivoet op de uiterst linkse verstekhoek. Breng het handvat volledig omlaag en vergrendel het in de laagste positie door de aanslagen volledig naar binnen te drukken. (Fig. 47)

Draag het gereedschap door beide zijden van de gereedschapsvoet vast te houden, zoals afgebeeld. Het gereedschap is gemakkelijker om dragen wanneer u de houders, stofzak, enz., ervan verwijderd. (Fig. 48)

⚠ LET OP:

- Zet altijd alle bewegende onderdelen vast alvorens het gereedschap te dragen.

ONDERHOUD

⚠ LET OP:

- Zorg altijd dat het gereedschap is uitgeschakeld en zijn stekker uit het stopcontact is verwijderd alvorens te beginnen met inspectie of onderhoud.
- Gebruik nooit benzine, wasbenzine, thinner, alcohol en dergelijke. Hierdoor het verkleuring, vervormingen en barsten worden veroorzaakt.

⚠ WAARSCHUWING:

- Zorg altijd dat het zaagblad scherp en schoon is om optimale en veilige prestaties te krijgen.

Afstellen van de zaaghoek

Dit gereedschap werd in de fabriek nauwkeurig afgesteld en uitgelijnd, maar door ruwe behandeling kan de uitlijning ervan verslechterd zijn. Doe het volgende indien uw gereedschap niet meer juist is uitgelijnd:

1. Verstekhoek

Draai de greep los om de draaivoet los te maken. Draai de draaivoet zodanig dat de wijzer naar 0° op de verstek-schaal wijst. Draai de greep vast en draai met de dop-sleutel de zeskante bouten van de geleider los. (Fig. 49) Breng het handvat volledig omlaag en vergrendel het in de laagste positie door de aanslagen in te drukken. Zet de zijde van het zaagblad haaks ten opzichte van het vlak van de geleider door gebruik te maken van een driehoeksliniaal, een winkelhaak, e.d. Draai vervolgens de zeskante bouten op de geleider goed vast, beginnend vanaf de rechterzijde. (Fig. 50)

2. Schuine hoek

(1) 0° schuine hoek

Breng het handvat volledig omlaag en vergrendel het in de laagste positie door de aanslagen naar binnen te drukken. Draai de hendel aan de achterzijde van het gereedschap los.

Draai de stelbout voor de 0° schuine hoek aan de rechterzijde van de draaivoet twee tot drie slagen naar rechts om het zaagblad naar rechts te kantelen. (Fig. 51)

Zet de zijde van het zaagblad haaks ten opzichte van het bovenvlak van de draaivoet (gebruik een driehoeksliniaal, een winkelhaak, e.d.) door de stelbout voor de 0° schuine hoek voorzichtig naar links te draaien. (Fig. 52)

Controleer of de wijzer op de draaivoet naar 0° op de schuine-hoek schaal op de arm wijst. Indien niet, draai dan de bevestigingsschroef van de wijzer los en verstel de wijzer zodat hij naar 0° wijst. (Fig. 53)

(2) 45° schuine hoek

Stel de 45° schuine hoek pas in nadat de 0° schuine hoek is ingesteld. Voor het instellen van de linkse 45° hoek, draait u de hendel los en doet u het zaagblad volledig naar links hellen. Controleer of de wijzer op de arm naar 45° op de schuine-hoek schaal op de arm wijst. Indien niet, draai de stelbout voor de 45° schuine hoek aan de linkerzijde van de arm totdat de wijzer naar 45° wijst. (Fig. 54)

Vervangen van de koolborstels (Fig. 55 en 56)

Verwijder en controleer regelmatig de koolborstels. Vervangen wanneer ze afslijten tot minder dan 3 mm lengte. Houd de koolborstels schoon zodat ze vlot in hun houders glijden. Beide koolborstels dienen tegelijkertijd te worden vervangen. Gebruik uitsluitend identieke koolborstels.

Gebruik een schroevendraaier om de koolborsteldoppen te verwijderen. Haal de versleten koolborstels eruit, schuif de nieuwe erin, en zet de koolborsteldoppen goed vast.

Na het gebruik

- Veeg na gebruik alle zaagsel en stof op het gereedschap eraf met een doek of iets dergelijks. Houd de beschermkappen schoon volgens de instructies die in de paragraaf "Beschermkap" werden beschreven. Smeer de glijdende onderdelen in met machine-olie om roestvorming te voorkomen.

Om de VEILIGHEID en BETROUWBAARHEID van het gereedschap te handhaven, dienen alle reparaties, onderhoud of afstellingen te worden uitgevoerd bij een erkend Makita servicecentrum, en altijd met gebruik van Makita vervangingsonderdelen.

OPTIONELE ACCESSOIRES

⚠ LET OP:

- Deze accessoires of hulpstukken worden aanbevolen voor gebruik met het Makita gereedschap dat in deze gebruiksaanwijzing wordt beschreven. Het gebruik van andere accessoires of hulpstukken kan gevaar voor persoonlijke verwonding opleveren. Gebruik de accessoires of hulpstukken uitsluitend voor het gespecificeerde doel.

Wenst u meer informatie over deze accessoires, neem dan contact op met het dichtstbijzijnde Makita servicecentrum.

- Stalen en hardmetalen zaagbladen
- Spanschroefmontage (Horizontale spanschroef)
- Verticale spanschroef
- Dopsleutel 13
- Houderzet
- Stofzak
- Driehoeksliniaal
- Zaagbladdeksel
- Drukstok
- Liniaalset (Trekgeleider)

OPMERKING:

- Sommige van de onderdelen in deze lijst kunnen bijgeleverd zijn als standaard-accessoires. Deze accessoires kunnen per land verschillend zijn.

ENG905-1

Geluidsniveau

De typisch, A-gewogen geluidsniveaus vastgesteld volgens EN61029:

Model LH1201FL 220 V – 240 V

Geluidsdruk niveau (L_{pA}): 93 dB (A)
 Geluidsenergie-niveau (L_{WA}): 106 dB (A)
 Onnauwkeurigheid (K): 3 dB (A)

Model LH1201FL 110 V

Geluidsdruk niveau (L_{pA}): 95 dB (A)
 Geluidsenergie-niveau (L_{WA}): 108 dB (A)
 Onnauwkeurigheid (K): 3 dB (A)

Draag oorbeschermers

Alleen voor Europese landen

EU-Verklaring van Conformiteit

Makita verklaart hierbij dat de volgende machine(s):

Aanduiding van de machine:

Tafel-, afkort- en verstekzaag

Modelnr./ Type: LH1201FL

Voldoen aan de volgende Europese richtlijnen:

2006/42/EC

Ze zijn gefabriceerd in overeenstemming met de volgende norm of genormaliseerde documenten:

EN61029

Het technisch documentatiebestand volgens 2006/42/EU is verkrijgbaar in:

Makita, Jan-Baptist Vinkstraat 2, 3070, België

31.7.2015



Yasushi Fukaya
Directeur

Makita, Jan-Baptist Vinkstraat 2, 3070, België

Explicación de los dibujos

1 Perno	29 Flecha	57 Brazo de la mordaza
2 Protector de disco inferior A	30 Brida exterior	58 Barra de la mordaza
3 Protector de disco superior	31 Brida interior	59 Soporte
4 Protector de disco inferior B	32 Eje	60 Pomo de la mordaza
5 Tornillo	33 Anillo	61 Proyección
6 Perno hexagonal	34 Abridor	62 Eje de la mordaza
7 Empuñadura	35 Área a presionar hacia dentro	63 Base
8 Palanca	36 Pernos hexagonales	64 Mordaza
9 Parte superior de la base giratoria	37 Anchura del disco	65 Bloque espaciador
10 Periferia del disco	38 Soporte de la guía para cortar al hilo	66 Extrusión de aluminio
11 Guía lateral	39 Carril guía en la mesa superior	67 Bulón pequeño
12 Puntero	40 Tornillo de apriete (A)	68 Cara/borde paralelos
13 Palanca de bloqueo	41 Tornillo de apriete (B)	69 Tornillo para madera
14 Mango	42 Guía para cortar al hilo	70 Pegar juntos
15 Escala de inglete	43 Línea con la que alinear	71 Agujero (7 mm de diámetro)
16 Escala de bisel	44 Pieza de trabajo	72 Listón de empuje
17 Interruptor de alimentación	45 Tuerca cuadrada	73 Guía auxiliar
18 Interruptor de lámpara	46 Arandela	74 Bloque de empuje
19 Interruptor para láser	47 Escala	75 Escuadra
20 Lámpara	48 Tornillo de ajuste	76 Perno de ajuste del ángulo de bisel a 0°
21 Pasador de retención	49 Boquilla de polvo	77 Parte superior de la mesa giratoria
22 Mesa superior	50 Bolsa de polvo	78 Brazo
23 Carcasa del motor	51 Cierre	79 Perno de ajuste del ángulo de bisel a 45°
24 Cubierta central	52 Aspirador	80 Destornillador
25 Llave de tubo	53 Cubierta del disco	81 Tapón portaescobillas
26 Bloqueo del eje	54 Apoyo	82 Pomo
27 Disco de sierra	55 Base giratoria	
28 Caja del disco	56 Guía secundaria	

ESPECIFICACIONES

Modelo

LH1201FL

Diámetro del disco.....	305 mm
Grosor de la hoja de sierra.....	1,9 mm o menos
Diámetro del agujero	
Para todos los países excepto los europeos.....	25,4 mm
Para los países europeos.....	30 mm
Capacidades de corte máximas (Al x An) con disco de 305 mm de diámetro en el modo de sierra de inglete	

Ángulo de bisel	Ángulo de inglete	
	90°	45° (de izquierda a derecha)
90°	95 mm x 155 mm 62 mm x 200 mm	95 mm x 110 mm 62 mm x 135 mm
45°	64 mm x 155 mm 40 mm x 200 mm	64 mm x 65 mm 40 mm x 85 mm

Capacidades de corte máximas a 90° en el modo de sierra de mesa (modo sierra de banco).....	52 mm
Velocidad en vacío (min ⁻¹).....	3.800
Tipo de láser.....	Láser rojo de 650 nm, < 1 mW (Láser Clase 2)
Tamaño de la mesa (An x La).....	307 mm x 465 mm
Dimensiones (La x An x Al).....	610 mm x 535 mm x 692 mm
Peso neto.....	20,9 kg
Clase de seguridad.....	□/II

- Debido a un programa continuo de investigación y desarrollo, las especificaciones aquí dadas están sujetas a cambios sin previo aviso.
- Las especificaciones pueden ser diferentes de país a país.
- Peso de acuerdo con el procedimiento EPTA 01/2003

Uso previsto

La herramienta ha sido pensada para hacer cortes rectos de precisión y (solamente cuando se utilice como sierra de inglete en la mesa inferior) cortes de inglete en madera.

Alimentación

La herramienta ha de conectarse solamente a una fuente de alimentación de la misma tensión que la indicada en la placa de características, y sólo puede funcionar con corriente alterna monofásica. El sistema de doble aislamiento de la herramienta puede, por lo tanto, usarse también en enchufes hembra sin conductor de tierra.

Advertencias de seguridad generales para herramientas eléctricas

⚠ ¡ADVERTENCIA! Lea todas las advertencias de seguridad y todas las instrucciones. Si no sigue todas las advertencias e instrucciones podrá ocasionar una descarga eléctrica, un incendio y/o heridas graves.

Guarde todas las advertencias e instrucciones para futuras referencias.

ADVERTENCIAS DE SEGURIDAD PARA LA SIERRA DE INGLETE CON BANCO**PARA EL MODO DE SIERRA DE INGLETE Y MODO DE SIERRA DE MESA (MODO SIERRA DE BANCO)**

1. Inspeccione el disco cuidadosamente para ver si tiene grietas o deformación antes de comenzar la operación.
Reemplace el disco dañado inmediatamente.
2. No utilice la sierra sin los protectores y el abridor instalados, especialmente después de un cambio de modo. Compruebe los protectores de disco para confirmar que se cierran debidamente antes de cada uso. No utilice la sierra si los protectores de disco no se mueven libremente y se cierran instantáneamente. No sujete ni ate los protectores de disco en la posición abierta. Cualquier operación irregular de los protectores de disco deberá ser corregida inmediatamente.
3. Utilice solamente discos de sierra especificados por el fabricante y que cumplan con la norma EN847-1. La anchura de la ranura del corte deberá ser más gruesa que el abridor y el grosor del disco de sierra deberá ser más fino que el abridor.
4. No utilice discos fabricados con acero rápido.
5. Póngase protección para los ojos.
6. Póngase protección para los oídos para reducir el riesgo de sufrir pérdida auditiva.
7. Póngase guantes para manejar discos de sierra (los discos de sierra deberán ser transportados en un portadiscos siempre que sea posible) y materiales bastos.
8. Conecte la herramienta a un dispositivo de recogida de polvo cuando corte.
9. Guarde siempre el listón de empuje cuando no lo esté utilizando.

10. Mantenga el área del suelo alrededor de la herramienta en buen estado y libre de materiales sueltos, por ejemplo, virutas y recortes de madera.
11. El operario deberá estar debidamente preparado para utilizar, ajustar y manejar la herramienta.
12. Pare la sierra y desenchúfela cuando la vaya a dejar desatendida.
13. Para reducir el ruido emitido, asegúrese siempre de que el disco esté afilado y limpio.
14. Utilice solamente discos de sierra que estén marcados con una velocidad máxima igual o mayor que la velocidad sin carga marcada en la herramienta.
15. Cuando la herramienta esté equipada con un láser o LED, no reemplace el láser o el LED con uno de tipo diferente. Pida a un centro de servicio autorizado que le hagan la reparación.
16. No retire nunca ningún recorte de madera u otras partes de la pieza de trabajo del área de corte mientras la herramienta está funcionando con un disco de sierra desprotegido.
17. La herramienta no deberá ser utilizada para acanalar, machihembrar o ranurar.
18. Antes de transportar la herramienta, cubra siempre al parte superior del disco de sierra con el protector de disco superior y sujete todas las partes móviles. Cuando levante o transporte la herramienta, no utilice el protector como asa de transporte.
19. Limpie y tenga cuidado de no dañar el eje, bridas (especialmente la superficie de instalación) y el perno hexagonal antes o cuando instale el disco. Los daños en estas piezas podrán resultar en la rotura del disco. Una mala instalación puede ocasionar vibraciones/bamboleo o resbalamiento del disco. Utilice solamente las bridas especificadas para esta herramienta.
20. Utilice accesorios recomendados en este manual. La utilización de accesorios no apropiados, tales como discos abrasivos, podrán ocasionarle heridas.
21. Seleccione el disco correcto para el material a cortar.
22. No corte objetos metálicos, tales como clavos y tornillos. Inspeccione y quite todos los clavos, tornillos y otras materias extrañas de la pieza de trabajo antes de la operación.
23. Extraiga cualquier nudo suelto de la pieza de trabajo ANTES de comenzar a cortar.
24. No utilice la herramienta en presencia de líquidos o gases inflamables.
25. Por su propia seguridad, retire las virutas, recortes de madera, etc., del área de trabajo y de la mesa superior antes de enchufar la herramienta y comenzar la operación.
26. Mantenga las manos, a los curiosos y su propia posición fuera de la trayectoria del disco de sierra y no en línea con ella. Evite el contacto con cualquier disco que esté girando por inercia. Todavía puede ocasionarle graves heridas por lo que nunca deberá acercarse al disco.
27. Esté alerta en todo momento, especialmente durante las operaciones repetitivas y monótonas. No se deje llevar por una falsa sensación de seguridad. Los discos no perdonan nunca.
28. Asegúrese de que el bloqueo del eje esté suelto antes de activar el interruptor.

29. Antes de utilizar la herramienta en una pieza de trabajo definitiva, déjala funcionar durante un rato. Observe para ver si hay vibración o bamboleo que pueda indicar una incorrecta instalación o un disco mal equilibrado.
30. Espere hasta que el disco alcance plena velocidad antes de cortar.
31. Pare la operación inmediatamente si nota algo anormal.
32. Apague la herramienta y espere hasta que el disco de sierra se pare antes de mover la pieza de trabajo o cambiar los ajustes.
33. Desenchufe la herramienta antes de cambiar el disco, hacer el mantenimiento o cuando no la esté utilizando.
34. El polvo de las operaciones de corte algunas veces contiene productos químicos que se sabe ocasionan cáncer, defectos de nacimiento u otros peligros relacionados con la reproducción. Algunos ejemplos de estos productos químicos son:
 - plomo de materiales pintados con pinturas que contengan plomo y,
 - arsénico y cromo de maderas tratadas químicamente.
 El riesgo al que se expone variará, dependiendo de la frecuencia con la que realice este tipo de trabajo. Para reducir la exposición a estos productos químicos: trabaje en un área bien ventilada y póngase el equipo de seguridad indicado, tal como esas máscaras contra el polvo que están especialmente diseñadas para filtrar partículas microscópicas.
35. Incluso cuando la herramienta sea utilizada como se prescribe no será posible eliminar todos los factores de riesgo residuales. Debido a la construcción y diseño de la herramienta es posible que surjan los riesgos siguientes:
 - Daños a la salud como resultado de las vibraciones en manos y brazos si la herramienta es utilizada durante un largo periodo de tiempo y su manejo y mantenimiento no sea realizado correctamente.
 - Heridas o daños causados por accesorios de herramienta flojos que pueden soltarse de la herramienta eléctrica inesperadamente debido a un daño repentino, desgaste o montaje incorrecto.

CUANDO UTILICE EN EL MODO DE SIERRA DE INGLETE:

36. Sustituya la placa de corte cuando se desgaste.
37. Utilice un listón de empuje o un bloque de empuje para evitar trabajar con las manos y los dedos cerca del disco.
38. Asegúrese de que el brazo esté firmemente fijado cuando haga cortes en bisel. Apriete la palanca hacia la derecha para fijar el brazo.
39. No realice ninguna operación a pulso. La pieza de trabajo deberá estar firmemente sujeta contra la base giratoria y la guía lateral con la mordaza durante todas las operaciones. No utilice nunca la mano para sujetar la pieza de trabajo.
40. Asegúrese de que la herramienta está estable antes de cada corte.
41. Fije la herramienta a un banco de trabajo, si es necesario.

42. Apoye las piezas de trabajo largas con soportes adicionales apropiados.
43. No corte nunca piezas de trabajo pequeñas que no puedan ser sujetadas firmemente con la mordaza. Una pieza de trabajo sujeta incorrectamente puede ocasionar retrocesos bruscos y heridas personales graves.
44. No utilice la sierra para cortar algo que no sea madera, aluminio o materiales similares.
45. Asegúrese de que la base giratoria esté debidamente sujeta de forma que no se mueva durante la operación.
46. Antes de activar el interruptor asegúrese de que el disco no hace contacto con la base giratoria en la posición más baja y de que tampoco está tocando la pieza de trabajo.
47. Sujete la empuñadura firmemente. Tenga en cuenta que la sierra se mueve ligeramente hacia arriba o hacia abajo durante el inicio y la parada.

CUANDO UTILICE EN EL MODO DE SIERRA DE MESA (MODO SIERRA DE BANCO):

48. Asegúrese de que el brazo esté firmemente fijado en la posición de trabajo. Apriete la palanca hacia la derecha para fijar el brazo.
49. Asegúrese de que la mesa de sierra de banco esté firmemente fijada a la altura elegida.
50. No realice ninguna operación a pulso. A pulso significa utilizar las manos para sujetar o guiar la pieza de trabajo, en lugar de con una guía para cortar al hilo.
51. Antes de activar el interruptor asegúrese de que el disco no esté haciendo contacto con el abridor o la pieza de trabajo.
52. Preste atención especial a las instrucciones que explican cómo reducir el riesgo de RETROCESOS BRUSCOS. El RETROCESO BRUSCO es una reacción repentina debida a un aprisionamiento, estancamiento o desalineación del disco. El RETROCESO BRUSCO ocasiona la expulsión de la pieza de trabajo por la parte trasera de la herramienta hacia el operario. LOS RETROCESOS BRUSCOS PUEDEN ACARREAR HERIDAS PERSONALES GRAVES. Evite los RETROCESOS BRUSCOS manteniendo el disco afilado, la guía para cortar al hilo paralela al disco, el abridor y el protector de disco en su lugar y funcionando debidamente, no soltando la pieza de trabajo hasta que la haya empujado más allá del disco, y no cortando al hilo una pieza de trabajo que esté retorcida o alabeada o que no tenga un borde recto para guiarla a la largo de la guía lateral.
53. Evite avanzar la pieza de trabajo de forma abrupta o rápida. Cuando corte piezas de trabajo duras desplácelas lo más lentamente posible. No tuerza ni retuerza la pieza de trabajo al avanzarla. Si para o atasca el disco en la pieza de trabajo, apague la herramienta inmediatamente. Desenchufe la herramienta. Después quite el atasco.

GUARDE ESTAS INSTRUCCIONES.

⚠️ ADVERTENCIA:

NO deje que la comodidad o familiaridad con el producto (a base de utilizarlo repetidamente) sustituya la estricta observancia de las normas de seguridad para el producto en cuestión. El MAL USO o el no seguir las normas de seguridad establecidas en este manual de instrucciones podrá ocasionar graves heridas personales.

INSTALACIÓN

⚠️ PRECAUCIÓN:

- Mantenga el área del suelo alrededor de la herramienta en buen estado y libre de materiales sueltos, tales como virutas y recortes de madera.

Montaje en banco de trabajo (Fig. 1)

Esta herramienta se deberá fijar con dos pernos en una superficie nivelada y estable utilizando los agujeros para pernos provistos en la base de la herramienta. Esto ayudará a evitar que se vuelque y pueda ocasionar heridas.

DESCRIPCIÓN DEL FUNCIONAMIENTO

⚠️ PRECAUCIÓN:

- Asegúrese siempre de que la herramienta esté apagada y desenchufada antes de ajustar o comprobar cualquier función de la herramienta.

Protector de disco (Fig. 2 y 3)

⚠️ PRECAUCIÓN:

- Asegúrese de que la empuñadura no pueda ser bajada sin empujar hacia la izquierda la palanca cercana a la empuñadura.
- Asegúrese de que los protectores de disco inferiores A y B no se abran a menos que la palanca cercana a la empuñadura sea empujada en la posición máxima superior de la empuñadura.

Si baja la empuñadura al mismo tiempo que empuja la palanca hacia la izquierda, el protector de disco inferior A se elevará automáticamente. Los protectores de disco inferiores se accionan por resorte por lo que retornarán a su posición original cuando se complete el corte y se suba la empuñadura. El protector de disco superior quedará plano en la parte superior después de que la pieza de trabajo haya pasado por debajo de él. **NO ANULE NI QUITE NUNCA LOS PROTECTORES DE DISCO INFERIORES, EL RESORTE QUE HAY EN EL PROTECTOR DE DISCO INFERIOR, NI EL PROTECTOR DE DISCO SUPERIOR.**

Por su propia seguridad personal, mantenga cada protector de disco siempre en buena condición. Cualquier operación irregular de los protectores de disco deberá ser corregida inmediatamente. Compruebe para asegurarse de que los protectores de disco retornan accionados por resorte. **NO UTILICE NUNCA LA HERRAMIENTA SI LOS PROTECTORES DE DISCO INFERIORES, EL RESORTE O EL PROTECTOR DE DISCO SUPERIOR ESTÁN DAÑADOS, DEFECTUOSOS O HAN SIDO QUITADOS. HACER ESTO ES MUY PELIGROSO Y PUEDE OCASIONAR HERIDAS PERSONALES GRAVES.**

Si cualquiera de estos protectores de disco transparentes se ensucia, o si se adhiere a ellos serrín de tal forma que no pueda verse fácilmente el disco, desenchufe la herramienta y limpie los protectores cuidadosamente con un paño húmedo. No utilice disolventes ni productos de limpieza a base de petróleo para limpiar el protector de plástico.

Si el protector de disco inferior A está especialmente sucio y no se ve bien a través del mismo, proceda de la forma siguiente. Fije la mesa superior en la posición completamente elevada, suba la empuñadura completamente, empuje el pasador de retención totalmente hacia dentro con la empuñadura totalmente subida, y afloje el perno hexagonal que sujeta la cubierta central utilizando la llave de tubo suministrada. Afloje el perno hexagonal girándolo hacia la izquierda y suba el protector de disco inferior A y la cubierta central a la vez que empuja la palanca hacia la izquierda. Con el protector de disco inferior A en esta posición, la limpieza se puede hacer de forma más completa y eficiente. Cuando haya completado la limpieza, invierta el procedimiento de arriba y apriete el perno.

En el mismo caso que el explicado arriba para el protector de disco superior, afloje con un destornillador el tornillo que lo sujeta y quite el protector de disco superior. Después de la limpieza, reinstálelo siempre firmemente apretando el tornillo hasta el punto en el que el protector de disco superior se mueva suavemente hacia arriba o hacia abajo.

Si cualquiera de estos protectores de disco se decoloran con el paso del tiempo o la exposición a luz ultravioleta, póngase en contacto con un centro de servicio Makita para adquirir uno nuevo. **NO ANULE NI QUITE LOS PROTECTORES.**

Para mantener la máxima capacidad de corte (Fig. 4)

Esta herramienta se ajusta en fábrica para lograr su capacidad de corte máxima con un disco de sierra de 305 mm.

⚠️ PRECAUCIÓN:

- Después de instalar un disco nuevo, asegúrese siempre de que el disco no haga contacto con ninguna parte de la base inferior cuando la empuñadura esté bajada completamente. Haga esto siempre con la herramienta desenchufada.

Ajuste del ángulo de inglete (Fig. 5)

Afloje el mango girándolo hacia la izquierda. Gire la base giratoria a la vez que presiona hacia abajo la palanca de bloqueo. Cuando haya movido el mango a la posición donde el puntero apunta al ángulo deseado en la escala de inglete, apriete firmemente el mango hacia la derecha.

⚠️ PRECAUCIÓN:

- Cuando vaya a girar la base giratoria, asegúrese de subir la empuñadura completamente.
- Después de cambiar el ángulo de inglete, sujete siempre la base giratoria apretando el mango completamente.

Ajuste del ángulo de bisel (Fig. 6 y 7)

Para ajustar el ángulo de bisel, afloje la palanca de la parte trasera de la herramienta moviéndola hacia la izquierda.

Empuje la empuñadura hacia la izquierda para inclinar el disco hasta que el puntero apunte al ángulo deseado en la escala de bisel. Después apriete la palanca hacia la derecha para sujetar el brazo.

PRECAUCIÓN:

- Cuando vaya a inclinar el disco de sierra, asegúrese de subir la empuñadura completamente.
- Después de cambiar el ángulo de bisel, sujete siempre el brazo apretando la palanca hacia la derecha.

Accionamiento del interruptor (Fig. 8)

PRECAUCIÓN:

- Antes de la operación, asegúrese de que la herramienta se enciende y apaga.

Para poner en marcha la herramienta, presione el botón ON (I). Para pararla, presione el botón OFF (O).

Iluminación de las lámparas (Fig. 9)

Pulse la posición superior del interruptor para encender la luz y la posición inferior para apagarla.

PRECAUCIÓN:

- No mire a la luz ni vea la fuente de luz directamente.

NOTA:

- Utilice un paño seco para quitar la suciedad de la lente de la lámpara. Tenga cuidado de no rayar la lente de la lámpara, porque podrá disminuir la iluminación.

Accionamiento del rayo láser (Fig. 10)

PRECAUCIÓN:

• RADIACIÓN LÁSER

No se quede mirando al rayo láser.

Para encender el rayo láser, presione la posición superior (I) del interruptor. Para apagar el rayo láser, presione la posición inferior (O) del interruptor.

Ajuste para subir o bajar la mesa superior (Fig. 11)

Para el ajuste de subir o bajar la mesa superior, afloje las dos palancas girándolas hacia la izquierda y después gire el pomo. Para subir la mesa superior, gire el pomo hacia la derecha. Para bajar la mesa superior, gire el pomo hacia la izquierda. Apriete estas palancas firmemente después del ajuste.

ADVERTENCIA:

- Ponga la mesa superior en la posición máxima superior cuando utilice la herramienta en el modo de sierra de inglete y en la posición deseada cuando la utilice en el modo de sierra de mesa (modo sierra de banco).

MONTAJE

PRECAUCIÓN:

- Asegúrese siempre de que la herramienta esté apagada y desenchufada antes de realizar cualquier trabajo en ella.

Instalación o desmontaje del disco de sierra

PRECAUCIÓN:

- Asegúrese siempre de que la herramienta esté apagada y desenchufada antes de instalar o desmontar el disco.

- Utilice solamente la llave de tubo Makita provista para instalar o desmontar el disco. De lo contrario, podrá producirse apretamiento excesivo o insuficiente del perno hexagonal. Esto podría ocasionarle heridas.

Sujete la mesa superior en la posición más alta.

Bloquee la empuñadura en la posición levantada empujando hacia dentro el pasador de retención. (Fig. 12)

Después utilice la llave de tubo para aflojar el perno hexagonal que sujeta la cubierta central girándolo hacia la izquierda. Suba el protector de disco inferior A y la cubierta central a la vez que empuja hacia la izquierda la palanca cercana a la empuñadura. (Fig. 13 y 14)

Presione el bloqueo del eje para bloquear el eje y utilice la llave de tubo para aflojar el perno hexagonal hacia la derecha. Después quite el perno hexagonal, brida exterior y disco. (Fig. 15)

Para instalar el disco, móntelo con cuidado en el eje, asegurándose de que la dirección de la flecha en la superficie del disco coincida con la dirección de la flecha en la caja del disco. Instale la brida exterior y perno hexagonal, y después utilizando la llave de tubo apriete el perno hexagonal (rosca hacia la izquierda) firmemente hacia la izquierda a la vez que presiona el bloqueo del eje. (Fig. 16 y 17)

PRECAUCIÓN:

- El anillo de 25,4 mm o 30 mm de diámetro exterior se instala en fábrica en el eje. Antes de montar el disco en el eje, asegúrese siempre de que esté instalado en el eje el anillo correcto para el agujero del disco que vaya a utilizar. (Fig. 18)

Devuelva el protector de disco inferior A y la cubierta central a sus posiciones originales. Después apriete el perno hexagonal hacia la derecha para sujetar la cubierta central. Suba el protector de disco inferior B a tope y apriete el tornillo de apriete firmemente a la vez que lo sujeta en la posición subida. Baje la empuñadura para asegurarse de que los protectores de disco inferiores se mueven debidamente. Asegúrese de que el bloqueo del eje ha liberado el eje antes de hacer el corte.

Ajuste del abridor

Antes de ajustar el abridor, afloje las dos palancas girándolas hacia la izquierda y mueva la mesa superior a su posición bajada girando el pomo hacia la izquierda. Después sujete la mesa superior reapretando firmemente las dos palancas como se muestra en la figura. (Fig. 19)

Deberá de haber una holgura de unos 4 – 5 mm entre el abridor y los dientes del disco. Ajuste el abridor en consecuencia aflojando los dos pernos hexagonales hacia la izquierda con la llave de tubo hexagonal y midiendo la distancia. Apriete los pernos hexagonales firmemente, y después compruebe que el protector de disco superior funciona suavemente antes de cortar. (Fig. 20)

El abridor ha sido instalado antes de salir de fábrica de forma que el disco y el abridor están en línea recta. (Fig. 21)

PRECAUCIÓN:

- Si el disco y el abridor no están alineados debidamente, podrá producirse una peligrosa condición de aprisionamiento durante la operación. Asegúrese de que el abridor esté situado entre ambos extremos exteriores de los dientes del disco visto desde arriba. Si utiliza la herramienta sin el abridor debidamente alineado podrá sufrir graves heridas personales. Si por alguna razón no están alineados, pida siempre a un centro de servicio Makita que se la reparen.
- No quite el abridor.

Instalación y ajuste de la guía para cortar al hilo

1. Instale la guía para cortar al hilo en la mesa de forma que el soporte de la guía para cortar al hilo se acople con el carril guía. Apriete el tornillo de apriete (B) de la guía para cortar al hilo firmemente hacia la derecha.
2. Afloje el tornillo de apriete (A).
3. Deslice la guía para cortar al hilo y sujétela de forma que el extremo lejano desde usted de la guía para cortar al hilo esté alineado con el punto en el que el borde delantero del disco aparezca justamente por la parte superior de la pieza de trabajo. El motivo de este ajuste es reducir el riesgo de un retroceso brusco hacia el operario al quedarse aprisionado el trozo de madera cortado de la pieza de trabajo entre el disco y la guía para cortar al hilo y finalmente expulsado hacia el operario. La línea 3 variará según el grosor de la pieza de trabajo o el nivel de la mesa. Ajuste la posición de la guía para cortar al hilo de acuerdo con el grosor de la pieza de trabajo. Después de ajustar la guía para cortar al hilo, apriete el tornillo de apriete (A) firmemente. (Fig. 22 y 23)

NOTA:

- La guía para cortar al hilo deberá estar montada en el lado izquierdo del disco de sierra cuando se esté en el modo de sierra de inglete. (Fig. 24)

NOTA:

- Hay cuatro patrones para poner la guía para cortar al hilo como se muestra en la figura. (Fig. 25) La guía para cortar al hilo tiene dos hendiduras en sus costados, una hendidura con una banda elevada cerca en el mismo lado y la otra sin ella. Utilice la superficie de la guía para cortar al hilo con esta banda encarada hacia la pieza de trabajo solamente cuando corte un trozo de una pieza de trabajo fina.

NOTA:

- Para cambiar el patrón de la guía para cortar al hilo, quite la guía para cortar al hilo del soporte de guía para cortar al hilo aflojando el tornillo de apriete (A) y cambie la cara de la guía para cortar al hilo hacia el soporte de la guía para cortar al hilo de forma que la guía para cortar al hilo quede encarada hacia el soporte de la guía para cortar al hilo de acuerdo con su tarea como se muestra en la figura. Inserte la tuerca cuadrada del soporte de la guía para cortar al hilo en el extremo trasero de una de las hendiduras de la guía para cortar al hilo de forma que encajen como se muestra en la figura.

Para cambiar el patrón A o B al patrón C o D, o al contrario, quite la tuerca cuadrada, arandela y tornillo de apriete (A) del soporte de la guía para cortar al hilo, después ponga el tornillo de apriete (A), arandela y tuerca cuadrada en la posición opuesta al soporte de la guía para cortar al hilo en comparación con la posición original. Apriete el tornillo de apriete (A) firmemente después de insertar la tuerca cuadrada del soporte de la guía para cortar al hilo en la hendidura de la guía para cortar al hilo.

Inserte la tuerca cuadrada del soporte de la guía para cortar al hilo en el extremo trasero de una de las hendiduras de la guía para cortar al hilo de forma que encajen como se muestra en la figura. (Fig. 26)

La guía para cortar al hilo sale ajustada de fábrica paralela a la superficie del disco. Asegúrese de que está paralela. Para comprobar y asegurarse de que la guía para cortar al hilo está paralela al disco. Baje la mesa a su posición más baja de forma que el disco aparezca en la posición máxima superior de la mesa. Marque uno de los dientes del disco con una tiza. Mida la distancia (A) y (B) entre la guía para cortar al hilo y el disco. Tome ambas medidas utilizando el diente marcado con la tiza. (Fig. 27) Estas dos medidas deberán ser idénticas. Si la guía para cortar al hilo no está paralela al disco, proceda de la forma siguiente: (Fig. 28)

- (1) Gire los tornillos de ajuste hacia la izquierda.
- (2) Mueva el borde trasero de la guía para cortar al hilo ligeramente hacia la derecha o izquierda hasta que quede paralelo al disco.
- (3) Apriete el tornillo de ajuste de la guía para cortar al hilo firmemente.

PRECAUCIÓN:

- Asegúrese de ajustar la guía para cortar al hilo de forma que quede paralela al disco o podrá producirse un peligroso retroceso brusco.
- Asegúrese de ajustar la guía para cortar al hilo de forma que no haga contacto con el protector de disco superior ni el disco. (Fig. 29)

Bolsa de polvo

La utilización de la bolsa de polvo permite realizar operaciones de corte limpias y recoger fácilmente el polvo. Para colocar la bolsa de polvo, encájela en la boquilla de polvo. (Fig. 30)

NOTA:

- En el modo de sierra de inglete, inserte siempre la bolsa de polvo en la boquilla trasera solamente.

Cuando la bolsa de polvo esté medio llena, quítela de la herramienta y extraiga el cierre. Vacíe la bolsa de polvo golpeándola ligeramente con objeto de extraer las partículas adheridas en el interior para que no impidan la posterior recogida de polvo. (Fig. 31)

Si conecta un aspirador a su sierra, podrá realizar operaciones más eficaces y limpias.

Cuando la utilice en el modo de sierra de mesa, conecte un aspirador.

Modo de sierra de mesa (Fig. 32)

Modo de sierra de inglete (Fig. 33)

Para instalar la cubierta del disco cuando utilice en el modo de sierra de mesa (modo sierra de banco), gire la base giratoria al ángulo de inglete de 0° (consulte la sección titulada "Ajuste del ángulo de inglete") y ponga la cubierta del disco en la mesa giratoria de forma que la cubierta del disco esté centrada sobre la hendidura para la entrada del disco en la mesa giratoria y después bloquee la empuñadura en la posición más baja empujando a tope el pasador de retención como se muestra en la figura.

NOTA:

- Cuando utilice la herramienta en el modo de sierra de mesa (modo sierra de banco), asegúrese de que la cubierta del disco esté instalada en la base giratoria.

Sujeción de la pieza de trabajo

Siempre que sea posible, sujete la pieza de trabajo con una mordaza opcional. Si tiene que utilizar su mano para sujetar la pieza de trabajo, deberá hacerlo firmemente y con seguridad de forma que no pierda el control de la pieza de trabajo. Su mano y brazo deberán ser mantenidos bien alejados del área del disco (100 mm mínimo). Apriete la pieza de trabajo firmemente contra la guía lateral con sus dedos mantenidos encima de la parte superior de la guía lateral. La pieza de trabajo también deberá descansar firmemente sobre la base giratoria.

⚠️ ADVERTENCIA:

- No utilice nunca su mano para sujetar una pieza de trabajo que requiera acercarse a su mano más de 100 mm del área del disco. En este caso, utilice siempre una mordaza de banco opcional para sujetar la pieza de trabajo. Después de cualquier operación de corte, suba el disco con cuidado. No suba nunca el disco hasta que se haya parado completamente. Podría producirle heridas graves.

⚠️ PRECAUCIÓN:

- Cuando corte piezas de trabajo largas, utilice apoyos que sean tan altos como el nivel de la parte superior de la base giratoria. No confíe únicamente en la mordaza vertical y/o mordaza horizontal (opcional) para sujetar la pieza de trabajo. (Fig. 34)
Este material tiende a combarse. Apoye la pieza de trabajo en su entera longitud para evitar que el disco se trabe y ocurra un posible RETROCESO BRUSCO.

Guía secundaria (para países europeos solamente) (Fig. 35)

Esta herramienta está equipada con una guía secundaria. Por lo general, coloque la guía secundaria dentro. Sin embargo, cuando realice cortes en bisel izquierdo, colóquela hacia afuera.

⚠️ PRECAUCIÓN:

- Cuando realice cortes en bisel izquierdo, coloque la guía secundaria hacia afuera. De lo contrario, entrará en contacto con el disco o con una parte de la herramienta, ocasionando posibles heridas graves al operario.

Mordaza vertical (Fig. 36)

La mordaza vertical se puede instalar en dos posiciones tanto en el lado derecho como el izquierdo de la guía lateral. Inserte la barra de la mordaza en el agujero de la guía lateral o del conjunto del soporte y apriete el tornillo para sujetar la barra de la mordaza.

Posicione el brazo de la mordaza de acuerdo con el grosor y forma de la pieza de trabajo y sujete el brazo de la mordaza apretando el tornillo. Si el tornillo que sujeta el brazo de la mordaza toca la guía lateral, instale el tornillo en el lado opuesto del brazo de la mordaza. Asegúrese de que ninguna parte de la herramienta haga contacto con la mordaza cuando baje la empuñadura a tope. Si alguna parte toca la mordaza, reposicione la mordaza. Presione la pieza de trabajo a ras contra la guía lateral y la base giratoria. Ponga la pieza de trabajo en la posición de corte deseada y sujétela firmemente apretando el pomo de la mordaza.

⚠️ PRECAUCIÓN:

- La pieza de trabajo deberá estar firmemente sujeta contra la base giratoria y la guía lateral.

Mordaza horizontal (accesorio opcional) (Fig. 37)

La mordaza horizontal se puede instalar o bien en el lado izquierdo o bien en el derecho de la base. Cuando quiera hacer cortes en inglete de 30° o más, instale la mordaza horizontal en el lado opuesto a la dirección en la que vaya a ser girada la base giratoria. Girando el pomo de la mordaza hacia la izquierda se afloja el tornillo y el eje se puede mover rápidamente hacia dentro y hacia fuera. Girando el pomo de la mordaza hacia la derecha, el tornillo se mantiene apretado. Para sujetar la pieza de trabajo, gire el pomo de la mordaza suavemente hacia la derecha hasta que la proyección alcance su máxima posición superior, después apriete firmemente. Si fuerza el pomo de la mordaza o lo saca mientras lo esté girando hacia la derecha, la proyección podrá quedar en ángulo. En este caso, vuelva a girar el pomo de la mordaza hacia la izquierda hasta que se suelte el tornillo, antes de girar otra vez suavemente hacia la derecha. La anchura máxima de la pieza de trabajo que se puede sujetar con la mordaza horizontal es de 200 mm.

OPERACIÓN

⚠️ ADVERTENCIA:

- Cuando utilice la herramienta en el modo de sierra de inglete, sujete la mesa superior en la posición máxima superior sin que el disco sobresalga nunca por la parte superior de la mesa superior.

⚠️ PRECAUCIÓN:

- Antes de utilizar, asegúrese de liberar la empuñadura de la posición bajada tirando del pasador de retención.
- Asegúrese de que el disco no esté haciendo contacto con la pieza de trabajo, etc., antes de activar el interruptor.

CORTE COMO SIERRA DE INGLETE

⚠️ PRECAUCIÓN:

- No ejerza presión excesiva en la empuñadura cuando corte. Una fuerza excesiva podrá resultar en una sobrecarga del motor y/o reducir la eficacia de corte. Empuje hacia abajo la empuñadura con la fuerza únicamente necesaria para cortar suavemente y sin reducir significativamente la velocidad del disco.
- Presione hacia abajo suavemente la empuñadura para realizar el corte. Si presiona hacia abajo la empuñadura con fuerza o si ejerce fuerza lateral, el disco vibrará y dejará una marca (marca de sierra) en la pieza de trabajo y se deteriorará la precisión del corte.

1. Corte por presión (Fig. 38)

Sujete la pieza de trabajo contra la guía lateral y mesa giratoria.

Encienda la herramienta sin que el disco esté tocando nada y espere hasta que el disco adquiera plena velocidad antes de bajarlo. Después baje suavemente la empuñadura hasta la posición totalmente bajada para cortar la pieza de trabajo. Cuando haya completado el corte, apague la herramienta y ESPERE HASTA QUE EL DISCO SE HAYA PARADO COMPLETAMENTE antes de devolver el disco a su posición completamente elevada.

2. Corte en inglete

Consulte la sección "Ajuste del ángulo de inglete" explicada más atrás.

3. Corte en bisel (Fig. 39)

Afloje la palanca e incline el disco para establecer el ángulo de bisel (consulte la sección "Ajuste del ángulo de bisel" explicada más atrás). Asegúrese de apretar la palanca firmemente para sujetar de forma segura el ángulo de bisel seleccionado. Sujete la pieza de trabajo contra la guía lateral y mesa giratoria. Encienda la herramienta sin que el disco esté tocando nada y espere hasta que el disco adquiera plena velocidad. Después baje con cuidado la empuñadura hasta la posición completamente bajada mientras aplica presión en dirección paralela al disco. Cuando haya completado el corte, apague la herramienta y ESPERE HASTA QUE EL DISCO SE HAYA PARADO COMPLETAMENTE antes de devolver el disco a su posición completamente elevada.

⚠ PRECAUCIÓN:

- Asegúrese siempre de que el disco se moverá hacia abajo en la dirección del bisel durante un corte en bisel. Mantenga las manos alejadas de la trayectoria del disco.
- Durante un corte en bisel, se podrá crear una condición en la que la pieza cortada quede apoyada contra el costado del disco. Si sube el disco mientras aún está girando, esta pieza podrá ser pillada por el disco, haciendo que salgan despedidos fragmentos que pueden resultar peligrosos. El disco SOLAMENTE deberá ser subido después de que se haya parado completamente.

- Cuando presione hacia abajo la empuñadura, ejerza presión paralela al disco. Si la presión no es paralela al disco durante el corte, el ángulo del disco podrá cambiar y la precisión del corte se deteriorará.
- (Solamente para países europeos) ponga siempre la guía secundaria afuera cuando realice cortes en bisel izquierdo.

4. Corte compuesto

El corte compuesto es el procedimiento en el que se hace un ángulo de bisel al mismo tiempo que se corta un ángulo de inglete en una pieza de trabajo. El corte compuesto se puede realizar a los ángulos mostrados en la tabla.

Ángulo de bisel	Ángulo de inglete
45°	Izquierda y Derecha 0° – 45°

006366

Cuando quiera realizar un corte compuesto, consulte las explicaciones de "Corte por presión", "Corte en inglete" y "Corte en bisel".

5. Corte de extrusiones de aluminio (Fig. 40)

Cuando sujete extrusiones de aluminio, utilice bloques espaciadores o trozos de madera de desecho como se muestra en la figura para evitar la deformación del aluminio. Cuando corte extrusiones de aluminio utilice un lubricante para operaciones de corte para evitar la acumulación de material de aluminio en el disco.

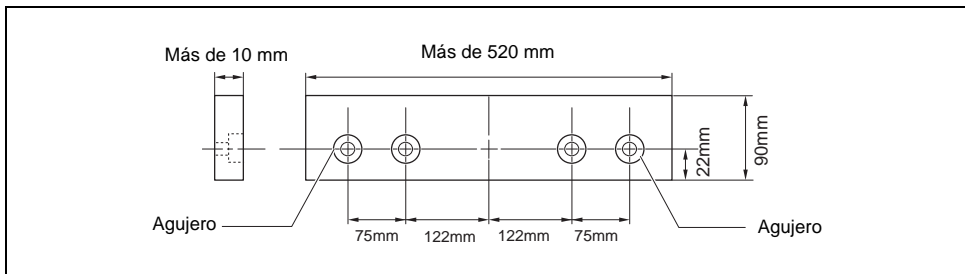
⚠ PRECAUCIÓN:

- No intente nunca cortar extrusiones de aluminio gruesas o redondas. Las extrusiones de aluminio gruesas pueden alojarse durante la operación y las extrusiones de aluminio redondas no se pueden sujetar firmemente con esta herramienta.
- No corte nunca aluminio en el modo de sierra de mesa (modo sierra de banco).

6. Guarnición de madera

La utilización de la guarnición de madera ayuda a conseguir cortes sin astillar la pieza de trabajo. Coloque la guarnición de madera en la guía lateral utilizando los agujeros de la guía lateral.

Consulte la figura referente a las dimensiones para elegir una guarnición de madera sugerida.



015190

⚠ PRECAUCIÓN:

- Utilice madera recta de grosor uniforme para la guarnición de madera.
- Utilice tornillos para colocar la guarnición de madera en la guía lateral. Los tornillos deberán ser instalados de forma que las cabezas de los mismos queden por debajo de la superficie de la guarnición de madera.

- Cuando esté puesta la guarnición de madera, no gire la base giratoria con la empuñadura bajada. El disco y/o la guarnición de madera se dañarán.

CORTE COMO SIERRA DE MESA (MODO SIERRA DE BANCO)

Cuando utilice la herramienta en el modo de sierra de mesa (modo sierra de banco), ponga la cubierta del disco en la mesa giratoria de forma que la cubierta del disco esté centrada sobre la hendidura para la entrada del disco en la mesa giratoria y los dos bulones pequeños de la parte inferior de la cubierta del disco encajen en la hendidura semicircular en la periferia de la guía lateral de la mesa giratoria como se muestra en la figura y después bloquee la empuñadura en la posición más baja empujando a tope el pasador de retención. Si no se fija la cubierta del disco, la mesa no podrá bajarse. (Fig. 41)

En caso de herramientas para países europeos, coloque la guía secundaria hacia afuera antes de colocar la cubierta del disco.

⚠ PRECAUCIÓN:

- Utilice siempre "elementos de ayuda" como listones de empuje y bloques de empuje cuando haya peligro de que sus manos o dedos se vayan a acercar al disco.
- Sujete siempre firmemente la pieza de trabajo con la mesa y la guía para cortar al hilo. No la tuerza ni retuerza mientras la avanza. Si tuerce o retuerce la pieza de trabajo, podrá producirse un peligroso retroceso brusco.
- No retire NUNCA la pieza de trabajo mientras el disco esté girando. Si tiene que retirar la pieza de trabajo antes de completar un corte, primero apague la herramienta mientras sujeta la pieza de trabajo firmemente. Espere hasta que el disco se haya parado completamente antes de retirar la pieza de trabajo. En caso contrario podrá ocasionar peligrosos retrocesos bruscos.
- No retire NUNCA material de recortes mientras el disco esté girando.
- No ponga NUNCA las manos ni los dedos en la trayectoria del disco.
- Sujete siempre la guía para cortar al hilo firmemente, o podrán producirse peligrosos retrocesos bruscos.
- Utilice siempre "elementos de ayuda" como listones de empuje y bloques de empuje cuando corte piezas de trabajo pequeñas o estrechas.

Elementos de ayuda

Los listones de empuje, bloques de empuje o guía auxiliar son tipos de "elementos de ayuda". Utilícelos para hacer cortes sin peligro y seguros sin necesidad de que el operario tenga que acercarse a cualquier parte del cuerpo al disco.

Bloque de empuje (Fig. 42)

Utilice una pieza de madera contrachapada de 15 mm. La empuñadura deberá estar en el centro de la pieza de madera contrachapada. Sujete con cola y tornillos para madera como se muestra. A la madera contrachapada deberá ir pegada siempre una pequeña pieza de madera de 10 mm x 9 mm x 30 mm para evitar que el disco se embote en caso de que el operario corte el bloque de empuje sin querer.

(No utilice nunca clavos en el bloque de empuje).

Guía auxiliar (Fig. 43 y 44)

Haga la guía auxiliar con piezas de madera contrachapada de 10 mm y 15 mm.

Quite la guía para cortar al hilo, tornillo de apriete (A), arandela plana y tuerca cuadrada del soporte de la guía para cortar al hilo y después colóquela y sujete la guía auxiliar en el soporte de la guía para cortar al hilo utilizando un perno M6 más largo que M6 x 50, arandelas y tuerca.

Corte al hilo

⚠ PRECAUCIÓN:

• Cuando corte piezas de trabajo largas o grandes, provea siempre apoyo adecuado detrás de la mesa. NO permita que un tablero largo se mueva o cambie de posición en la mesa. Ello hará que el disco se trabaje y aumentará la posibilidad de que se produzca un retroceso brusco y de sufrir heridas personales. El apoyo deberá estar a la misma altura que la mesa.

1. Ajuste la profundidad de corte a un poquito más que el grosor de la pieza de trabajo. Para hacer este ajuste, afloje las dos palancas y baje o suba la mesa superior.
2. Ponga la guía para cortar al hilo a la anchura deseada del corte al hilo y sujétela apretando el tornillo de apriete (A). Antes de cortar al hilo, asegúrese de que los dos tornillos del soporte de la guía para cortar al hilo estén bien sujetos. Si no están suficientemente sujetos, reapriételos.
3. Encienda la herramienta y avance la pieza de trabajo con cuidado hacia el disco a lo largo de la guía para cortar al hilo.

(1) Cuando la anchura del corte al hilo sea de 40 mm o más ancha, utilice un listón de empuje. (Fig. 45)

(2) Cuando la anchura del corte al hilo sea más estrecha de 40 mm, no podrá utilizarse el listón de empuje porque éste golpeará al protector de disco superior. Utilice la guía auxiliar y el bloque de empuje.

Instale firmemente la guía auxiliar que va sujeta al soporte de la guía para cortar al hilo en la mesa.

Avance la pieza de trabajo con la mano hasta que el final esté a unos 25 mm del borde delantero de la mesa superior. Continúe avanzando utilizando el bloque de empuje encima de la guía auxiliar hasta completar el corte. (Fig. 46)

Transporte de la herramienta

Asegúrese de que la herramienta esté desenchufada. La mesa deberá estar fijada en la posición superior. Sujete el disco a un ángulo de bisel de 0° y la base giratoria completamente a ángulo de inglete izquierdo. Baje la empuñadura completamente y bloquéela en la posición bajada presionando completamente hacia dentro el pasador de retención. (Fig. 47)

Transporte la herramienta cogiéndola por ambos costados de la base como se muestra en la figura. Si quita los soportes, la bolsa de polvo, etc., podrá transportar la herramienta más fácilmente. (Fig. 48)

⚠ PRECAUCIÓN:

• Sujete siempre todas las partes móviles antes de transportar la herramienta.

MANTENIMIENTO

PRECAUCIÓN:

- Asegúrese siempre de que la herramienta esté apagada y desenchufada antes de intentar realizar una inspección o mantenimiento.
- No utilice nunca gasolina, bencina, disolvente, alcohol o similares. Podría producir descoloración, deformación o grietas.

ADVERTENCIA:

- Asegúrese siempre de que el disco esté afilado y limpio para obtener el mejor y más seguro rendimiento.

Ajuste del ángulo de corte

Esta herramienta ha sido ajustada y alineada cuidadosamente en fábrica, pero un manejo brusco podrá haber afectado a la alineación. Si su herramienta no está debidamente alineada, realice lo siguiente:

1. Ángulo de inglete

Afloje el mango que sujeta la base giratoria. Gire la base giratoria de forma que el puntero apunte a 0° en la escala de inglete. Apriete el mango y afloje los pernos hexagonales que sujetan la guía lateral utilizando la llave de tubo. (Fig. 49)

Baje la empuñadura completamente y bloquéela en la posición bajada presionando hacia dentro el pasador de retención. Escuadre el costado del disco con la cara de la guía lateral utilizando una escuadra, cartabón, etc. Después apriete firmemente los pernos hexagonales de la guía lateral en orden desde el lado derecho. (Fig. 50)

2. Ángulo de bisel

(1) Ángulo en bisel de 0°

Baje la empuñadura completamente y bloquéela en la posición bajada presionando hacia dentro el pasador de retención. Afloje la palanca de la parte trasera de la herramienta.

Gire el perno de ajuste del ángulo de bisel a 0° del lado derecho de la base giratoria dos o tres vueltas hacia la derecha para inclinar el disco hacia la derecha. (Fig. 51)

Escuadre cuidadosamente el costado del disco con la parte superior de la base giratoria utilizando la escuadra, cartabón, etc., y apriete el perno de ajuste del ángulo de bisel a 0° hacia la izquierda. (Fig. 52)

Asegúrese de que el puntero de la base giratoria apunte a 0° en la escala de bisel del brazo. Si el puntero no apunta a 0°, afloje el tornillo que sujeta el puntero y ajuste el puntero de forma que apunte a 0°. (Fig. 53)

(2) Ángulo en bisel de 45°

Ajuste el ángulo de bisel de 45° solamente después de haber realizado el ajuste del ángulo de bisel de 0°. Para ajustar el ángulo de bisel de 45°, afloje la palanca e incline el disco completamente hacia la izquierda. Asegúrese de que el puntero del brazo apunte a 45° en la escala de bisel del brazo. Si el puntero no apunta a 45°, gire el perno de ajuste del ángulo de bisel a 45° del lado izquierdo del brazo hasta que el puntero apunte a 45°. (Fig. 54)

Reemplazo de las escobillas de carbón (Fig. 55 y 56)

Extraiga y compruebe las escobillas de carbón regularmente. Reemplácelas cuando se hayan gastado hasta una longitud de 3 mm. Mantenga las escobillas de carbón limpias y de forma que entren libremente en el portaescobillas. Ambas escobillas de carbón deberán ser reemplazadas al mismo tiempo. Utilice únicamente escobillas de carbón idénticas.

Utilice un destornillador para quitar los tapones portaescobillas. Extraiga las escobillas gastadas, inserte las nuevas y vuelva a fijar los tapones portaescobillas.

Después de la utilización

- Después de la utilización, limpie las virutas y el polvo adheridos a la herramienta con un paño o similar. Mantenga las guardas del disco limpias de acuerdo con las indicaciones de la sección ya vista titulada "Protector de disco". Lubrique las partes deslizantes con aceite para máquinas para evitar que se oxiden.

Para mantener la SEGURIDAD y FIABILIDAD del producto, las reparaciones, y cualquier otra tarea de mantenimiento o ajuste deberán ser realizadas en Centros de servicio autorizados por Makita, empleando siempre repuestos Makita.

ACCESORIOS OPCIONALES

PRECAUCIÓN:

- Estos accesorios o acoplamientos están recomendados para utilizar con la herramienta Makita especificada en este manual. El empleo de otros accesorios o acoplamientos conllevará un riesgo de sufrir heridas personales. Utilice los accesorios o acoplamientos solamente para su fin establecido.

Si necesita cualquier ayuda para más detalles en relación con estos accesorios, pregunte al centro de servicio Makita local.

- Discos de sierra de acero y de carburo
- Conjunto de mordaza (Mordaza horizontal)
- Mordaza vertical
- Llave de tubo de 13
- Juego de soporte
- Bolsa de polvo
- Escuadra
- Cubierta del disco
- Listón de empuje
- Conjunto de regla (Guía lateral)

NOTA:

- Algunos elementos de la lista podrán estar incluidos en el paquete de la herramienta como accesorios estándar. Pueden variar de un país a otro.

Ruido

El nivel de ruido A-ponderado típico determinado de acuerdo con la norma EN61029:

Modelo LH1201FL 220 V – 240 V

Nivel de presión sonora (L_{pA}): 93 dB (A)
 Nivel de potencia sonora (L_{WA}): 106 dB (A)
 Error (K): 3 dB (A)

Modelo LH1201FL 110 V

Nivel de presión sonora (L_{pA}): 95 dB (A)
 Nivel de potencia sonora (L_{WA}): 108 dB (A)
 Error (K): 3 dB (A)

Póngase protectores en los oídos

ENH003-15

Para países europeos solamente**Declaración de conformidad CE**

Makita declara que la(s) máquina(s) siguiente(s):

Designación de máquina:

Sierra de Inglete con Banco

Modelo N°/ Tipo: LH1201FL

Cumplen con las directivas europeas siguientes:

2006/42/EC

Están fabricadas de acuerdo con las normas o documentos normalizados siguientes:

EN61029

El archivo técnico de acuerdo con la norma 2006/42/CE está disponible en:

Makita, Jan-Baptist Vinkstraat 2, 3070, Bélgica

31.7.2015



Yasushi Fukaya
 Director

Makita, Jan-Baptist Vinkstraat 2, 3070, Bélgica

Explicação geral

1 Perno	29 Seta	58 Varão do torno
2 Resguardo da lâmina inferior A	30 Falange exterior	59 Suporte
3 Resguardo da lâmina superior	31 Falange interior	60 Botão do torno
4 Resguardo da lâmina inferior B	32 Veio	61 Projecção
5 Parafuso	33 Anel	62 Veio do torno
6 Perno hexagonal	34 Lâmina de abrir	63 Base
7 Pega	35 Área a pressionar	64 Torno
8 Alavanca	36 Pernos hexagonais	65 Bloco espacejador
9 Superfície superior da base giratória	37 Largura da lâmina	66 Extrusão de alumínio
10 Periferia da lâmina	38 Suporte da guia paralela	67 Pequena saliência
11 Placa guia	39 Carril da guia na mesa superior	68 Fase/extremidade paralela
12 Ponteiro	40 Parafuso de fixação (A)	69 Parafuso de madeira
13 Alavanca de bloqueio	41 Parafuso de fixação (B)	70 Cole
14 Punho	42 Guia paralela	71 Orifício (7 mm de diâmetro)
15 Escala de esquadria	43 Linha a ser alinhada com	72 Varão impulsor
16 Escala de bisel	44 Peça de trabalho	73 Guia auxiliar
17 Interruptor de alimentação	45 Porca quadrada	74 Bloco impulsor
18 Interruptor da lâmpada	46 Anilha	75 Régua triangular
19 Interruptor para laser	47 Escala	76 Perno de regulação do ângulo de bisel de 0°
20 Lâmpada	48 Parafuso de regulação	77 Superfície superior da mesa giratória
21 Pino de bloqueio	49 Bocal do pó	78 Braço
22 Mesa superior	50 Saco do pó	79 Perno de regulação do ângulo de bisel de 45°
23 Caixa do motor	51 Fecho	80 Chave de parafusos
24 Cobertura central	52 Aspirador	81 Tampa do suporte da escova
25 Chave de tubo	53 Cobertura da lâmina	82 Botão
26 Bloqueio do veio	54 Suporte	
27 Lâmina da serra	55 Base giratória	
28 Caixa da lâmina	56 Sub-guia	
	57 Braço do torno	

ESPECIFICAÇÕES

Modelo

LH1201FL

Diâmetro do disco 305 mm

Espessura do corpo do disco 1,9 mm ou inferior

Diâmetro do orifício

Para todos os países não Europeus 25,4 mm

Para países Europeus 30 mm

Capacidades máximas de corte (A x L) com lâmina de 305 mm de diâmetro no modo de serra de esquadria

Ângulo de bisel	Ângulo de esquadria	
	90°	45° (esquerda para a direita)
90°	95 mm x 155 mm	95 mm x 110 mm
	62 mm x 200 mm	62 mm x 135 mm
45°	64 mm x 155 mm	64 mm x 65 mm
	40 mm x 200 mm	40 mm x 85 mm

Capacidades max. de corte a 90° na serra de mesa (modo de serra de bancada) 52 mm

Velocidade em vazio (min⁻¹) 3.800

Tipo Laser Laser Vermelho 650 nm, < 1 mW (Classe Laser 2)

Tamanho da mesa (L x C) 307 mm x 465 mm

Dimensões (C x L x A) 610 mm x 535 mm x 692 mm

Peso líquido 20,9 kg

Classe de segurança II

- Devido a um programa de pesquisa e desenvolvimento contínuo, estas especificações podem ser alteradas sem aviso prévio.
- As especificações podem diferir de país para país.
- Peso de acordo com o Procedimento 01/2003 da EPTA (European Power Tool Association)

Fins a que se destina

Esta ferramenta foi concebida para cortes direitos precisos e (só quando utilizada como serra de esquadria na mesa inferior) cortes de esquadria em madeira.

ENF002-2

Alimentação

A ferramenta só deve ser ligada a uma fonte de alimentação com a mesma voltagem da indicada na placa de características, e só funciona com alimentação de corrente alterna monofásica. Tem um sistema de isolamento duplo e pode, por isso, utilizar tomadas sem ligação à terra.

GEA010-1

Avisos gerais de segurança para ferramentas eléctricas

⚠️ AVISO! Leia todas as avisos de segurança e todas as instruções. O não cumprimento de todos os avisos e instruções pode originar choque eléctrico, incêndio e/ou ferimentos graves.

Guarde todos os avisos e instruções para futuras referências.

ENB088-5

AVISOS DE SEGURANÇA DA SERRA DE ESQUADRIA E BANCADA

TANTO PARA O MODO DE SERRA DE ESQUADRIA COMO PARA A SERRA DE MESA (SERRA DE BANCADA)

1. Verifique cuidadosamente a lâmina quanto a rachas ou deformação antes do funcionamento. Substitua imediatamente uma lâmina danificada.
2. Não utilize a serra sem resguardos e a lâmina de abrir no lugar, especialmente depois de uma mudança de modo. Verifique que os resguardos da lâmina fecham correctamente antes de cada utilização. Não utilize a serra se os resguardos da lâmina não se movimentarem livremente e fecharem instantaneamente. Nunca prenda os resguardos da lâmina na posição de abertura. Qualquer operação irregular dos resguardos da lâmina deve ser corrigida imediatamente.
3. Utilize apenas lâminas de serra especificadas pelo fabricante e que estejam em conformidade com a EN847-1. A largura do sulco do corte tem de ser maior do que a lâmina separadora e o corpo da lâmina tem de ser mais fino que a lâmina separadora.
4. Não utilize lâminas fabricadas com aço de alta velocidade.
5. Use proteção ocular.
6. Use proteção auditiva para reduzir o risco de perda auditiva.
7. Use luvas para manusear as lâminas de serra (as lâminas de serra devem ser transportadas num suporte sempre que seja prático) e materiais não tratados.
8. Ligue a ferramenta a um aparelho de recolha do pó.
9. Guarde sempre o varão impulsor quando o não estiver a utilizar.
10. Mantenha a área à volta da ferramenta limpa sem aparas ou desperdícios.

11. O operador deve estar adequadamente treinado na utilização, regulação e operação da ferramenta.
12. Pare e desligue a serra quando a deixar sem vigilância.
13. Para reduzir o ruído certifique-se de que a lâmina está afiada e limpa.
14. Utilize apenas lâminas de serra marcadas com uma velocidade máxima igual ou superior do que a velocidade sem carga marcada na ferramenta.
15. Quando a ferramenta está instalada com um laser ou LED, não os substitua por outros diferentes. Peça a reparação num centro de assistência autorizada.
16. Não retire os recortes ou outras partes da peça de trabalho da área de corte enquanto a ferramenta está a funcionar com uma lâmina de serra sem resguardo.
17. A ferramenta não deve ser usada para abrir ranhuras, rebarbas e resíduos.
18. Antes de transportar a ferramenta, cubra sempre a parte superior da lâmina de serra pelo resguardo superior e fixe todas as peças móveis. Quando levantar ou transportar a ferramenta, não utilize o resguardo como pega de transporte.
19. Limpe e tenha cuidado para não estragar o veio, falanges (principalmente a superfície de instalação) e perno hexagonal antes ou quando instala a lâmina. Estragar estas partes pode estragar a lâmina. Má instalação pode causar vibração/oscilação ou patinar da lâmina. Utilize só as falanges especificadas para esta ferramenta.
20. Utilize os acessórios recomendados neste manual. A utilização de acessórios não adequados tal como rodas abrasivas de corte podem causar danos.
21. Selecione a lâmina de serra correcta para o material a ser cortado.
22. Não corte objetos metálicos, como pregos e parafusos. Inspeccione e retire todos os pregos, parafusos e outros materiais estranhos da peça antes da operação.
23. Tire todos os nós soltos da peça de trabalho ANTES de começar a cortar.
24. Não utilize a ferramenta na presença de líquidos inflamáveis ou gases.
25. Para sua segurança, retire aparas, pedaços pequenos, etc. da área de trabalho e do topo da mesa antes de ligar a ferramenta à corrente e iniciar a operação.
26. Mantenha as mãos e posicione-se ou qualquer pessoa perto, fora do rumo da serra e sem ser em linha com a lâmina da serra. Evite contacto com a lâmina a rodar por inércia. Pode ainda causar injúrias e não se aproxime da lâmina.
27. Esteja sempre alerta, especialmente durante operações repetitivas, monótonas. Não se abandone a um senso de falsa segurança. As lâminas não perdoam.
28. Certifique-se de que o travão do veio está solto antes de ligar o interruptor.

29. Antes de utilizar a ferramenta numa peça de trabalho real, deixe-a funcionar durante um pouco. Tenha cuidado com vibração ou oscilação que pode indicar má instalação ou lâmina mal equilibrada.
30. Espere até que a lâmina atinja toda a velocidade antes de cortar.
31. Pare imediatamente a operação se notar qualquer coisa de anormal.
32. Desligue a ferramenta e espere que a lâmina da serra pare antes de deslocar a peça de trabalho ou mudar os ajustes.
33. Desligue a ferramenta da corrente antes de mudar a lâmina, fazer qualquer manutenção ou quando não está em uso.
34. Algum pó criado pela operação contém químicos que podem causar cancro, defeitos de nascença ou outros males de reprodução. Alguns exemplos desses químicos são:
 - chumbo de material pintado com base de chumbo e,
 - arsénico e crómio de madeira tratada quimicamente.
 O risco destas exposições varia dependendo da frequência com que faz este tipo de trabalho. Para reduzir a sua exposição a estes químicos: trabalhe numa área bem ventilada e trabalhe com equipamento de protecção adequado, tal como máscaras para o pó que são especialmente concebidos para filtrar partículas microscópicas.
35. Mesmo que utilize a ferramenta de acordo com as instruções providenciadas, não é possível eliminar todos os factores que influenciam os riscos residuais. Podem surgir os seguintes riscos decorrentes do design e construção da ferramenta:
 - Danos à saúde provocados por vibrações nos braços e mãos se a ferramenta eléctrica for utilizada por um período de tempo prolongado e se a operação ou manutenção não for feita correctamente.
 - Ferimentos ou danos causados por acessórios soltos e que podem se desprender da ferramenta de forma inesperada devido a avaria repentina, desgaste ou instalação incorrecta.

QUANDO UTILIZA NO MODO DE SERRA DE ESQUADRIA:

36. Substitua a placa de corte quando estiver gasta.
37. Utilize um varão ou um bloco impulsor para evitar trabalhar com as mãos e dedos perto da serra da lâmina.
38. Certifique-se de que o braço está bem preso quando faz cortes de bisel. Aperte a alavanca para a direita para fixar o braço.
39. Não execute qualquer operação com a ajuda das mãos. A peça de trabalho tem de estar bem firme, encostada à base rotativa e à guia com o torno de bancada durante todas as operações. Nunca utilize as mãos para segurar a peça de trabalho.
40. Certifique-se de que a ferramenta está estável antes de cada corte.
41. Fixe a ferramenta num torno de bancada, se necessário.
42. Suporte as peças de trabalho longas com os suportes adicionais apropriados.

43. Nunca corte peças de trabalho tão pequenas que não consigam ficar bem seguras no torno. Uma peça de trabalho mal segura pode provocar recuo e ferimentos pessoais graves.
44. Não utilize a serra para cortar material que não seja madeira, alumínio ou material semelhante.
45. Certifique-se de que a base giratória está correctamente presa de modo a que não se desloque durante a operação.
46. Certifique-se de que a lâmina não contacta a base giratória na posição inferior e não está em contacto com a peça de trabalho antes de ligar o interruptor.
47. Agarre na pega firmemente. Preste atenção a que a peça se move para cima e para baixo ligeiramente durante o arranque e a paragem.

QUANDO UTILIZA O MODO DE SERRA DE MESA (SERRA DE BANCADA):

48. Certifique-se de que o braço está preso seguramente na posição de trabalho. Aperte a alavanca para a direita para fixar o braço.
49. Certifique-se de que a mesa da serra de bancada está presa fixamente na altura desejada.
50. Não execute qualquer operação com a ajuda das mãos. Ter as mãos livres significa usar as mãos para suportar ou guiar a peça de trabalho em vez de uma guia paralela.
51. Certifique-se de que a lâmina não está em contacto com a lâmina de abrir ou peça de trabalho antes de ligar o interruptor.
52. Preste especial atenção às instruções para reduzir o risco de RECUO. RECUO é uma reacção repentina a uma lâmina presa, torcida ou mal alinhada. RECUO causa a ejeção da peça de trabalho da ferramenta para trás, na direcção do operador. RECUOS PODEM ORIGINAR DANOS PESSOAIS GRAVES. Evite RECUOS mantendo a lâmina afiada, mantendo a guia paralela paralela à lâmina, mantendo a lâmina de abrir e o resguardo da lâmina no seu lugar e a funcionarem correctamente, não soltando a peça de trabalho até que a tenha empurrado completamente até passar a lâmina e não cortando uma peça de trabalho que esteja torcida ou dobrada ou que não tenha uma extremidade direita para guiar ao longo da guia.
53. Evite alimentação abrupta, rápida. Alimente devagar quando corta peças duras. Não dobre ou torça a peça de trabalho enquanto alimenta. Se a lâmina ficar presa na peça de trabalho, desligue imediatamente a ferramenta. Desligue a ferramenta da corrente. Solte a peça.

GUARDE ESTAS INSTRUÇÕES.

⚠️ AVISO:

NÃO permita que conforto ou familiaridade com o produto (adquirido com o uso repetido) substitua a aderência estrita às regras de segurança da ferramenta. MÁ INTERPRETAÇÃO ou não seguimento das regras de segurança estabelecidas neste manual de instruções pode causar danos pessoais sérios.

INSTALAÇÃO

⚠️ PRECAUÇÃO:

- Mantenha a área do chão à volta do nível da ferramenta bem limpa e sem aparas ou pedaços de corte.

Montagem na bancada (Fig. 1)

A ferramenta deve ser presa utilizando dois pernos a uma superfície nivelada e estável utilizando os orifícios para os pernos existentes na base da ferramenta. Isto ajudará a evitar que se incline e possíveis danos.

DESCRIÇÃO FUNCIONAL

⚠️ PRECAUÇÃO:

- Certifique-se sempre de que a ferramenta está desligada e a ficha retirada da tomada antes de regular ou verificar qualquer função da ferramenta.

Resguardo da lâmina (Fig. 2 e 3)

⚠️ PRECAUÇÃO:

- Certifique-se de que a pega não pode ser descida sem empurrar a alavanca que está à esquerda da pega.
- Certifique-se de que os resguardos da lâmina inferior A e B não abrem a menos que a alavanca perto da pega seja empurrada para a posição mais superior da pega.

Quando desce a pega enquanto empurra a alavanca para a esquerda, o resguardo da lâmina inferior A levanta automaticamente. Os regulados das lâminas inferiores têm molas e por isso voltam para a sua posição original quando o corte termina e a pega é levantada. O resguardo da lâmina superior cai direito na superfície superior depois da peça de trabalho ter passado por baixo. **NUNCA ESTRAGUE OU RETIRE OS RESGUARDOS DAS LÂMINAS INFERIORES, A MOLA QUE PRENDE O RESGUARDO DA LÂMINA INFERIOR OU O RESGUARDO DA LÂMINA SUPERIOR.**

Para sua segurança pessoal, mantenha sempre todos os resguardos das lâminas em condições. Qualquer operação irregular dos resguardos deve ser corrigida imediatamente. Verifique que a ação de mola para retorno dos resguardos da lâmina inferior funciona correctamente. **NUNCA UTILIZE A FERRAMENTA SE O RESGUARDO INFERIOR, ARRUELA OU O RESGUARDO DA LÂMINA SUPERIOR ESTIVEREM ESTRAGADOS, DEFEITUOSOS OU RETIRADOS. É EXTRAORDINARIAMENTE PERIGOSO E PODE CAUSAR DANOS PESSOAIS SÉRIOS.**

Se qualquer dos resguardos transparentes da lâmina ficarem sujos, ou particuladas de pó aderirem de modo a lâmina deixe de ser facilmente visível, desligue a serra da corrente e limpe cuidadosamente os resguardos com um pano húmido. Não utilize solventes ou produtos de limpeza à base de petróleo nos resguardos de plástico.

Se o resguardo da lâmina inferior A estiver especialmente sujo e a visão através do resguardo for difícil proceda como se segue. Fixe a mesa superior na posição completamente elevada, levante a pega completamente, empurre completamente o pino de bloqueio com a pega completamente levantada e utilize a chave de tubo fornecida para libertar o perno hexagonal que prende a cobertura central. Solte o perno hexagonal rodando-o para a esquerda e levante o resguardo da lâmina inferior A e a cobertura central enquanto empurra a alavanca para a esquerda. Com o resguardo da lâmina inferior A assim posicionado, a limpeza pode ser mais completa e eficiente. Quando termina a limpeza, execute o procedimento inverso e prenda o perno.

Se for o mesmo caso acima para o resguardo da lâmina superior, solte o parafuso que o prende com uma chave de parafusos e retire o resguardo da lâmina superior. Depois da limpeza, volte a instalá-lo seguramente prendendo o parafuso de modo que o resguardo da lâmina superior se desloque para cima e para baixo.

Se qualquer destes resguardos perderem a cor com o tempo ou por exposição a luz UV, contacte um centro de assistência da Makita para um novo resguardo. **NÃO TRANSFORME OU RETIRE OS RESGUARDOS.**

Manutenção da capacidade máxima de corte (Fig. 4)

Esta ferramenta foi regulada na fábrica para oferecer a máxima capacidade de corte para uma lâmina de serra de 305 mm.

⚠️ PRECAUÇÃO:

- Depois de instalar uma lâmina nova, certifique-se sempre de que a lâmina não contacta qualquer parte da base inferior quando a pega está completamente descida. Faça sempre isto com a ferramenta desligada da corrente.

Regulação do ângulo de esquadria (Fig. 5)

Solte o punho rodando-o para a esquerda. Rode a base giratória enquanto pressiona a alavanca de bloqueio. Quando tiver deslocado o punho para a posição onde o ponteiro aponta para o ângulo desejado na escala de esquadria, aperte firmemente o punho para a direita.

⚠️ PRECAUÇÃO:

- Quando roda a base giratória, certifique-se de que levanta a pega completamente.
- Depois de mudar o ângulo de esquadria, prenda sempre a base giratória apertando firmemente o punho.

Regulação do ângulo de bisel (Fig. 6 e 7)

Para regular o ângulo de bisel, liberte a alavanca na parte traseira da ferramenta para a esquerda. Empurre a pega para a esquerda para inclinar a lâmina da serra até que o ponteiro aponte para o ângulo desejado na escala de bisel. Em seguida aperte a alavanca firmemente para a direita para prender o braço.

⚠️ PRECAUÇÃO:

- Quando inclina a lâmina da serra, certifique-se de que levanta a pega completamente.
- Depois de mudar o ângulo de bisel, prenda sempre o braço apertando a alavanca.

Ação do interruptor (Fig. 8)

⚠️ PRECAUÇÃO:

- Antes da operação, certifique-se de que a ferramenta liga e desliga.

Para iniciar a ferramenta, pressione o botão ON (I). Para parar, pressione o botão OFF (O).

Acender as luzes (Fig. 9)

Empurre a posição superior do interruptor para ligar a luz e a inferior para desligar.

⚠️ PRECAUÇÃO:

- Não olhe para a luz ou para a fonte de iluminação directamente.

NOTA:

- Utilize um pano seco para limpar a sujidade das lentes da lâmpada. Tenha cuidado para não riscar as lentes da lâmpada pois pode diminuir a iluminação.

Acção do raio laser (Fig. 10)

⚠️ PRECAUÇÃO:

• RADIAÇÃO LASER

Não olhe directamente para o raio laser.

Para ligar o raio laser, pressione a posição superior (I) do interruptor. Para desligar o raio laser, pressione a posição inferior (O) do interruptor.

Regulação da mesa superior para cima e para baixo (Fig. 11)

Para ajustar o topo da mesa para cima e para baixo, solte as duas alavancas rodando-as para a esquerda e, depois, rode o botão. Para subir o topo da mesa, rode o botão para a direita. Para baixar o topo da mesa, rode o botão para a esquerda. Aperte estas alavancas firmemente após o ajuste.

⚠️ AVISO:

- Posicione a mesa superior na posição mais elevada quando utiliza a ferramenta no modo de serra de esquadria e na posição desejada quando a utiliza no modo de serra de mesa (modo de bancada).

MONTAGEM

⚠️ PRECAUÇÃO:

- Certifique-se sempre de que a ferramenta está desligada e a ficha retirada da tomada antes de executar qualquer inspecção na ferramenta.

Instalar ou retirar a lâmina da serra

⚠️ PRECAUÇÃO:

- Certifique-se sempre de que a ferramenta está desligada e a ficha retirada da tomada antes de instalar ou retirar a lâmina.
- Utilize só a chave da Makita fornecida para instalar ou retirar a lâmina. Se assim não for pode resultar em aperto excessivo ou insuficiente do perno hexagonal. Pode causar danos.

Prenda a mesa superior na posição mais elevada.

Prenda a pega na posição elevada empurrando o pino de bloqueio. (Fig. 12)

Em seguida utilize o chave de tubo para libertar o perno hexagonal que prende a cobertura central rodando-o para a esquerda. Levante o resguardo da lâmina inferior A e cobertura central enquanto empurra a alavanca perto da pega para a esquerda. (Fig. 13 e 14)

Pressione o bloqueio do veio para prender o eixo e utilize a chave de tubo para libertar o perno hexagonal para a direita. Em seguida retire o perno hexagonal, fialange exterior e lâmina. (Fig. 15)

Para instalar a lâmina, monte-a cuidadosamente no eixo certificando-se de que a direcção da seta na superfície da lâmina corresponde à direcção da seta na caixa da lâmina. Instale a fialange exterior e o perno hexagonal e em seguida utilize a chave de tubo para apertar o perno hexagonal (para a mão esquerda) seguramente para a esquerda enquanto pressiona o bloqueio do veio. (Fig. 16 e 17)

⚠️ PRECAUÇÃO:

- O anel de 25,4 mm ou 30 mm de diâmetro externo está instalado de fábrica no veio. Antes de montar a lâmina no veio, certifique-se sempre de que o anel correcto para orifício da lâmina que pretende utilizar está instalado no veio. (Fig. 18)

Volte a colocar o resguardo da lâmina inferior A e a cobertura central na sua posição original. Em seguida aperte o perno hexagonal para a direita para prender a cobertura central. Levante o resguardo da lâmina inferior B o mais possível e aperte o parafuso de fixação firmemente enquanto o agarre na posição elevada. Desça a pega para se certificar de que os resguardos da lâmina inferior se deslocam correctamente. Certifique-se de que o bloqueio do veio soltou o veio antes de fazer o corte.

Regulação da lâmina de abrir

Antes de ajustar a lâmina de abrir, solte as duas alavancas rodando-as esquerda e mova o topo da mesa para a sua posição mais baixa rodando o botão para a esquerda. Em seguida prenda a mesa superior firmemente voltando a apertar as duas alavancas como indicado na figura. (Fig. 19)

Deve haver uma abertura de cerca de 4 – 5 mm entre a lâmina de abrir e os dentes da lâmina. Regule a lâmina de abrir como desejar soltando os dois pernos hexagonais para a esquerda com a chave hexagonal e medindo a distância. Aperte os pernos hexagonais seguramente e em seguida verifique se o resguardo da lâmina superior trabalha bem antes de cortar. (Fig. 20)

A lâmina de abrir foi instalada antes de sair da fábrica de modo a que a lâmina e a lâmina de abrir estejam em linha direita. (Fig. 21)

⚠️ PRECAUÇÃO:

- Se a lâmina e a lâmina de abrir não estiverem alinhadas correctamente, podem dobrar perigosamente durante a operação. Certifique-se de que a lâmina de abrir esteja posicionada entre as duas extremidades dos dentes da lâmina quando vista de cima. Pode sofrer danos pessoais sérios quando utiliza a ferramenta sem uma lâmina de abrir alinhada correctamente. Se não estiverem alinhadas por qualquer razão, mande-as reparar a um centro de assistência da Makita.
- Não retire a lâmina de abrir.

Instalar e regular a guia paralela

1. Instale a guia paralela de modo a que o suporte da guia paralela encaixe no carril da guia. Aperte o parafuso de fixação (B) para a direita na guia paralela firmemente.
2. Solte o parafuso de fixação (A).
3. Deslize a guia paralela e prenda-a de modo a que extremidade mais afastada de si da guia esteja alinhada com o ponto em que a extremidade da frente da lâmina da serra mal aparece na superfície superior da peça de trabalho. A razão deste ajustamento é reduzir o risco de recuo para o operador da peça cortada quando fica presa entre a lâmina da serra e a guia paralela e é finalmente empurrada para o operador. A linha 3 varia em espessura da peça de trabalho ou do nível da mesa. Regule a posição da guia paralela de acordo com a espessura da peça de trabalho.

Depois de regular a guia paralela, aperte o parafuso de fixação (A) firmemente. (Fig. 22 e 23)

NOTA:

- A guia paralela deve ser instalada no lado esquerdo da lâmina da serra quando no modo de serra de esquadria. (Fig. 24)

NOTA:

- Existem quatro modos de posicionar a guia paralela como indicado na figura. (Fig. 25) A guia paralela tem duas frestas nos seus lados, uma fresta com uma franja elevada perto no mesmo lado e a outra sem. Utilize a superfície da guia paralela com esta franja virada para a peça de trabalho só quando corta um bocado de uma peça de trabalho fina.

NOTA:

- Para mudar o modo da guia paralela, retire a guia paralela do suporte da guia paralela soltando o parafuso de fixação (A) e mudando o modo como a guia paralela está virada para o suporte da guia paralela, de modo a que a guia paralela esteja virada para o suporte da guia paralela de acordo com o seu trabalho como indicado na figura. Coloque a porca quadrada no suporte da guia paralela na parte traseira de cada fresta da guia paralela de modo a que encaixem como indicado na figura.

Para mudar do modo A ou B para o modo C ou D, ou caso inverso, retire a porca quadrada, arruela e parafuso de fixação (A) do suporte da guia paralela e em seguida posicione o parafuso de fixação (A), arruela e porca quadrada na posição oposta do suporte da guia paralela comparada com a posição original. Aperte o parafuso de fixação (A) firmemente depois de inserir a porca quadrada do suporte da guia paralela na fresta da guia paralela.

Coloque a porca quadrada no suporte da guia paralela na extremidade posterior de qualquer das frestas da guia paralela de modo a que encaixem como indicado na figura. (Fig. 26)

A guia paralela foi regulada na fábrica de modo a que esteja paralela com a superfície da lâmina. Certifique-se de que está paralela. Para se certificar que a guia paralela está paralela com a lâmina, desça a mesa para a posição mais baixa de modo a que a lâmina apareça na posição superior da mesa. Marque um dos dentes da lâmina com um lápis. Meça a distância (A) e (B) entre a guia paralela e a lâmina. Faça as duas medições utilizando o dente marcado com o lápis. (Fig. 27) Estas duas medições devem ser idênticas. Se a guia paralela não estiver paralela com a lâmina, proceda como se segue: (Fig. 28)

- Rode os parafusos de regulação para a esquerda.
- Desloque ligeiramente a extremidade posterior da guia paralela para a direita ou esquerda até que fique paralela com a lâmina.
- Aperte os parafusos de regulação na guia paralela firmemente.

⚠️ PRECAUÇÃO:

- Certifique-se de que regula a guia paralela de modo a que esteja paralela com a lâmina ou pode ocorrer um recuo perigoso.
- Certifique-se de que regula a guia paralela de modo a que não contacte com o resguardo da lâmina superior ou a lâmina da serra. (Fig. 29)

Saco do pó

A utilização do saco do pó torna a operação de corte limpa e recolha do pó mais fácil. Para prender o saco do pó, coloque-o no bocal do pó. (Fig. 30)

NOTA:

- No modo de serra de esquadria, coloque o saco do pó só na parte traseira do bocal.

Quando o saco do pó se encontrar meio cheio, retire-o da ferramenta e tire o fecho. Esvazie o saco do pó do seu conteúdo, batendo-lhe ligeiramente para remover as partículas aderentes no interior que podem dificultar a recolha. (Fig. 31)

Se ligar um aspirador de pó à sua serra pode executar um trabalho mais eficiente e limpo.

Quando utiliza no modo de serra de mesa, ligue um aspirador de pó.

Modo de serra de mesa (Fig. 32)

Modo de serra de esquadria (Fig. 33)

Para instalar a cobertura da lâmina quando utiliza o modo de serra de mesa (modo de bancada), rode a base giratória para o ângulo de esquadria de 0° (veja a secção intitulada "Regulação do ângulo de esquadria") e coloque a cobertura da lâmina na mesa giratória de modo a que a cobertura da lâmina esteja centrada sobre a fresta para a entrada da lâmina na mesa giratória e em seguida prenda a pega na posição inferior empurrando completamente o pino de bloqueio como indicado na figura.

NOTA:

- Quando utiliza a ferramenta no modo de serra de mesa (modo de bancada), certifique-se de que a cobertura da lâmina está instalada na mesa giratória.

Prender a peça de trabalho

Sempre que possível, prenda a peça de trabalho com o torno opcional. Se precisar de usar a sua mão para agarrar a peça de trabalho, deve-o fazer firmemente e com segurança de modo a não perder o controlo da peça de trabalho. A sua mão e braço devem ser mantidos bem afastados da área da lâmina (mínimo 100 mm). Introduza a peça de trabalho firmemente contra a guia paralela com os seus dedos por cima da guia paralela. A peça de trabalho deve colocada firmemente na base giratória.

⚠️ AVISO:

- Nunca utiliza as suas mãos para prender uma peça de trabalho que requer que a sua mão esteja mais perto do que 100 mm da área da lâmina. Neste caso, utilize sempre o torno opcional para prender a peça de trabalho. Depois de qualquer operação de corte, levante a lâmina gentilmente. Nunca levante a lâmina até que esteja completamente parada. Pode resultar em danos sérios.

⚠️ PRECAUÇÃO:

- Quando corta peças de grande comprimento, utilize suportes que sejam da altura da face superior da base giratória. Não confie apenas no torno vertical e/ou horizontal (opcionais) para fixar a peça de trabalho. (Fig. 34)

O material fino tende a dobrar. Apoie a peça de trabalho a todo o comprimento para evitar que a lâmina prenda e possíveis RECUOS.

Sub-guia (apenas para países europeus) (Fig.35)

Esta ferramenta está equipada com uma sub-guia. Normalmente, posicione a sub-guia no interior. No entanto, quando se realizam cortes inclinados para a esquerda, vire-a para fora.

⚠️ PRECAUÇÃO:

- Quando realizar cortes de bisel para a esquerda, vire a sub-guia para fora. Caso contrário, entrará em contacto com a lâmina ou com uma parte da ferramenta, provocando possíveis ferimentos graves no operador.

Torno vertical (Fig. 36)

O torno vertical pode ser instalado em duas posições, tanto à esquerda como à direita da placa guia. Introduza o varão do torno no orifício na placa guia ou no conjunto de suporte e aperte o parafuso para prender o varão do torno.

Posicione o braço do torno de acordo com a espessura e forma da peça de trabalho e prenda o braço do torno apertando o parafuso. Se o parafuso para prender o braço do torno contactar a placa guia, instale o parafuso no lado oposto do braço do torno. Certifique-se de que nenhuma parte da ferramenta contacta o torno quando desce a pega completamente. Se alguma parte contactar o torno, volte a posicionar o torno.

Pressione a peça de trabalho direita contra a placa guia e a base giratória. Posicione a peça de trabalho na posição de corte desejada e prenda-a firmemente apertando o botão do torno.

⚠️ PRECAUÇÃO:

- A peça de trabalho deve ser presa firmemente contra a base giratória e placa guia.

Torno horizontal (acessório opcional) (Fig. 37)

O torno horizontal pode ser instalado tanto à esquerda como à direita da base. Quando executa cortes de esquadria de 30° ou superior, instale o torno horizontal no lado oposto à direcção em que vai rodar a base giratória. Rodando o botão do torno para a esquerda, o parafuso fica solto e o eixo do torno pode ser movimentado rapidamente para fora e para dentro. Rodando o botão do torno para a direita, o parafuso mantém-se preso. Para agarrar a peça de trabalho, rode o botão do torno com cuidado até que a projecção atinja a sua posição superior e em seguida aperte-o seguramente. Se o botão do torno for forçado para dentro ou para fora enquanto está a ser rodado para a direita, a projecção pode parar num ângulo. Neste caso, volta a rodar o botão do torno para a esquerda até que o parafuso fique solto antes de o voltar a rodar cuidadosamente para a direita.

A largura máxima da peça de trabalho que pode ser presa pelo torno horizontal é 200 mm.

OPERAÇÃO

⚠️ AVISO:

- Quando utiliza a ferramenta no modo de serra de esquadria, prenda a mesa superior na posição mais elevada de modo a que a lâmina da serra nunca fique saliente da superfície superior da mesa superior.

⚠️ PRECAUÇÃO:

- Antes da utilização, certifique-se de que liberta a pega da sua posição inferior puxando o pino de bloqueio.
- Certifique-se de que a lâmina não está em contacto com a peça de trabalho, etc., antes de ligar o interruptor.

CORTAR COMO SERRA DE ESQUADRIA

⚠️ PRECAUÇÃO:

- Não aplique pressão excessiva na pega quando corta. Força demasiada pode resultar em sobrecarga do motor e/ou diminuir a eficiência do corte. Empurre a pega para baixo só com a força necessária para um corte suave e sem diminuição significativa na velocidade da lâmina.

- Pressione suavemente a pega para baixo para executar o corte. Se a pega for pressionada para baixo com força ou se aplicar força lateral, a lâmina vibrará e deixará uma marca (marca de serra) na peça de trabalho e o corte não será preciso.

1. Corte de pressão (Fig. 38)

Prenda a peça de trabalho contra a placa guia e base giratória.

Ligue a ferramenta sem que a lâmina faça qualquer contacto e espere até que a lâmina atinja toda a velocidade antes de a descer. Em seguida desça a pega suavemente para a posição completamente descida para cortar a peça de trabalho. Quando o corte termina, desligue a ferramenta e ESPERE ATÉ QUE A LÂMINA PÁRE antes de a voltar a colocar na posição elevada.

2. Corte de esquadria

Refira-se à descrição prévia "Regulação do ângulo de esquadria".

3. Corte de bisel (Fig. 39)

Solte a alavanca e incline a lâmina da serra para o ângulo de bisel regulado (Refira-se a "Regulação do ângulo de bisel" descrita anteriormente). Certifique-se de que volta a apertar a alavanca firmemente para prender seguramente o ângulo de bisel seleccionado. Prenda a peça de trabalho contra a placa guia e base giratória. Ligue a ferramenta sem que a lâmina faça qualquer contacto e espere até que a lâmina atinja a velocidade máxima. Em seguida desça cuidadosamente a pega até à posição mais baixa enquanto aplica pressão em paralelo com a lâmina. Quando o corte estiver concluído, desligue a ferramenta e ESPERE ATÉ QUE A LÂMINA ESTEJA COMPLETAMENTE PARADA antes de a fazer voltar à posição totalmente elevada.

⚠️ PRECAUÇÃO:

- Certifique-se sempre de que a lâmina se movimenta para baixo na direcção de bisel durante um corte de bisel. Mantenha as mãos afastadas do percurso da lâmina.
- Durante um corte de bisel pode ser criada uma condição em que a peça cortada cai encostada à lâmina. Se a lâmina for levantada enquanto ainda está a rodar, esta peça pode ser apanhada pela lâmina e estilhaçar o que pode ser perigoso. A lâmina SÓ deve ser levantada quando estiver completamente parada.
- Quando pressiona a pega para baixo, aplique pressão paralelamente à lâmina. Se a pressão não for paralela à lâmina durante o corte, o ângulo da lâmina pode mudar e o corte não será preciso.
- (Apenas para países europeus) Coloque sempre a sub-guia na parte exterior quando realizar cortes de bisel para a esquerda.

4. Corte composto

Corte composto é o processo em que um ângulo de bisel é feito ao mesmo tempo em que um ângulo de esquadria é cortado na peça de trabalho. O corte composto pode ser executado no ângulo indicado na tabela.

Ângulo de bisel	Ângulo de esquadria
45°	Esquerdo e Direito 0° – 45°

006366

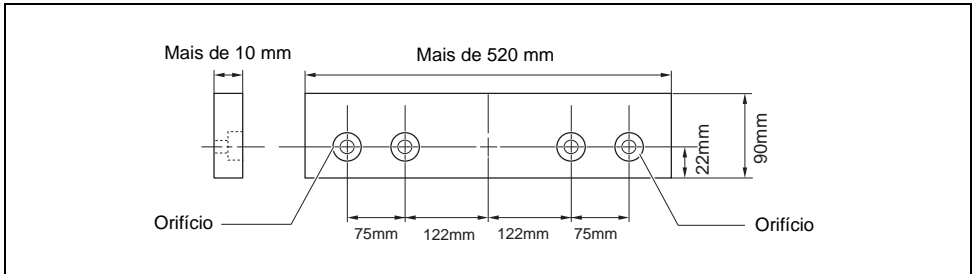
Quando executa corte composto refira-se às explicações de "Corte de pressão", "Corte de esquadria" e "Corte de bisel".

5. Corte de extrusões de alumínio (Fig. 40)

Quando prende extrusões de alumínio, utilize calços ou bocados de madeira como indicado na figura para evitar deformação do alumínio. Utilize um lubrificante de corte quando corta a extrusão de alumínio para evitar acumulação do material do alumínio na lâmina.

⚠️ PRECAUÇÃO:

- Nunca tente cortar extrusões de alumínio espessas ou redondas. Extrusões de alumínio espessas podem soltar-se durante a operação e extrusões de alumínio redondas não podem ser seguras firmemente com esta ferramenta.



015190

⚠️ PRECAUÇÃO:

- Utilize madeira com espessura uniforme para o revestimento de madeira.
- Utilize parafusos para prender o revestimento de madeira à placa guia. Os parafusos devem ser instalados de modo a que as cabeças dos parafusos estejam abaixo da superfície do revestimento de madeira.
- Quando o revestimento de madeira está colocado, não rode a base giratória com a pega descida. A lâmina e/ou o revestimento de madeira ficarão estragados.

CORTAR COMO SERRA DE MESA (MODO DE BANCADA)

Quando utiliza a ferramenta no modo de serra de mesa (modo de bancada), coloque a cobertura da lâmina na mesa giratória de modo a que a cobertura da lâmina fique centrada sobre a fresta de entrada da lâmina na mesa giratória e os dois pequenos ressalto no lado de baixo da cobertura da lâmina encaixem na fresta semicircular na periferia da guia paralela da mesa giratória como ilustrado na figura e, em seguida, prenda a pega na posição mais inferior empurrando o pino de bloqueio. Se não prender a cobertura da lâmina, a mesa não pode ser baixada. (Fig. 41)

No caso das ferramentas para países europeus, vire a sub-guia para fora antes de colocar a cobertura da lâmina.

⚠️ PRECAUÇÃO:

- Utilize sempre "ajudantes" tal como varão impulsor e blocos impulsores quando existe o perigo de que as suas mãos ou dedos cheguem perto da lâmina.
- Prenda sempre a peça de trabalho firmemente com a mesa e a guia paralela. Não entorte nem torça enquanto alimenta. Se a peça de trabalho for entortada ou torcida, pode ocorrer um recuo perigoso.

- Nunca corte alumínio no modo de serra de mesa (modo de bancada).

6. Revestimento de madeira

A utilização de um revestimento de madeira assegura que as peças de trabalho não estilhacem. Prenda um revestimento de madeira à placa guia utilizando os orifícios na placa guia.

Veja a figura relativamente às dimensões sugeridas de um revestimento de madeira.

- NUNCA retire a peça de trabalho enquanto a lâmina está a correr. Se necessitar de tirar a peça de trabalho antes de acabar o corte, primeiro desligue a ferramenta enquanto agarra na peça de trabalho firmemente. Espere até que a lâmina esteja completamente parada antes de tirar a peça de trabalho. Se o não fizer pode originar recuos perigosos.
- NUNCA retire bocados de material cortado enquanto a lâmina está a correr.
- NUNCA coloque a sua mão ou dedos no caminho da lâmina da serra.
- Prenda sempre a guia paralela firmemente ou pode ocorrer recuos perigosos.
- Utilize sempre "ajudantes" tais como varões impulsores e blocos impulsores ao cortar peças de trabalho pequenas ou estreitas.

Ajudantes

Varões e blocos impulsores ou guias auxiliares são tipos de "ajudantes". Utilize-os para fazer cortes seguros e certos sem a necessidade do operador contactar a lâmina com qualquer parte do corpo.

Bloco impulsor (Fig. 42)

Utilize uma peça de contraplacado com 15 mm. A pega deve estar no centro da peça de contraplacado. Prenda com cola e parafusos de madeira como indicado. Uma peça pequena de madeira de 10 mm x 9 mm x 30 mm deve ser sempre colada ao contraplacado para evitar que a lâmina encrave se o operador por engano cortar o bloco impulsor. (Nunca use pregos no bloco impulsor.)

Guia auxiliar (Fig. 43 e 44)

Faça uma guia auxiliar com peças de contraplacado de 10 mm e 15 mm.

Retire a guia paralela, parafuso de fixação (A) arruela plana e porca quadrada do suporte da guia paralela e em seguida coloque e prenda a guia auxiliar ao suporte da guia paralela utilizando um perno M6 mais comprido do que M6 x 50, arruelas e porca.

Cortar

⚠️ PRECAUÇÃO:

• Quando corta peças de trabalho comprida ou grande, suporte sempre correctamente por detrás da mesa. NÃO permita que uma placa comprida se desloque ou torça na mesa. Isso fará com que a lâmina encrave e aumenta a possibilidade de recuo e danos pessoais. O suporte deve ser da mesma altura do que a mesa.

1. Regule a profundidade de corte um pouco superior que a espessura da peça de trabalho. Para fazer esta regulação, solte as duas alavancas e desça ou suba a mesa superior.
2. Posicione a guia paralela na largura desejada da guia e prenda-a no seu lugar apertando o parafuso de fixação (A). Antes de cortar, certifique-se de que os dois parafusos do suporte da guia paralela estão presos. Se não estiverem suficientemente presos, volte a apertá-los.
3. Ligue a ferramenta e alimente a peça de trabalho na lâmina ao longo da guia paralela.
 - (1) Quando a largura da guia é 40 mm ou mais, utilize um varão impulsor. (Fig. 45)
 - (2) Quando a largura da guia é inferior a 40 mm, o varão impulsor não pode ser utilizado porque o varão impulsor baterá no resguardo da lâmina superior. Utilize a guia auxiliar e bloco impulsor. Instale seguramente a guia auxiliar que está presa ao suporte da guia auxiliar na mesa. Alimente a peça com a mão até que o fim esteja a aproximadamente 25 mm da extremidade de frente da mesa superior. Continue a alimentar utilizando o bloco impulsor no topo da guia auxiliar até que o corte esteja terminado. (Fig. 46)

Transportar a ferramenta

Certifique-se de que a ferramenta está desligada da corrente. A mesa deve ser presa na posição superior. Prenda a lâmina no ângulo de bisel de 0° e a base giratória completamente no ângulo de esquadria esquerdo. Desça a pega completamente e prenda-a na posição mais baixa empurrando completamente o pino de bloqueio. (Fig. 47)

Transporte a ferramenta agarrando nos dois lados da base da ferramenta como indicado na figura. Se retirar os suportes, saco do pó, etc., pode transportar mais facilmente a ferramenta. (Fig. 48)

⚠️ PRECAUÇÃO:

• Prenda sempre todas as partes móveis antes de transportar a ferramenta.

MANUTENÇÃO

⚠️ PRECAUÇÃO:

• Certifique-se sempre de que a ferramenta está desligada e a ficha retirada da tomada antes de tentar executar qualquer inspeção ou manutenção.

• Nunca utilize gasolina, benzina, diluente, álcool ou produtos semelhantes. Pode ocorrer a descoloração, deformação ou rachaduras.

⚠️ AVISO:

• Certifique-se sempre de que a lâmina está afiada e limpa para um rendimento melhor e mais seguro.

Regulação do ângulo do corte

Esta ferramenta foi cuidadosamente regulada e alinhada na fábrica, mas manuseamento pouco cuidado pode afectar o alinhamento. Se a sua ferramenta não estiver alinhada correctamente proceda como se segue:

1. Ângulo de esquadria

Solte o punho que prende a base giratória. Rode a base giratória de modo a que o ponteiro aponte para 0° na escala de esquadria. Aperte o punho e solte os pernos hexagonais que prendem a placa guia utilizando a chave de tubo. (Fig. 49)

Desça a pega completamente e prenda-a na posição mais baixa empurrando o pino de bloqueio. Nivele o lado da lâmina com a face da placa guia utilizando uma régua triangular, um esquadro, etc. Em seguida aperte seguramente os pernos hexagonais na placa guia na ordem do lado direito. (Fig. 50)

2. Ângulo de bisel

(1) Ângulo de bisel de 0°

Desça a pega completamente e prenda-a na posição mais baixa empurrando o pino de bloqueio. Solte a alavanca na detrás da ferramenta.

Rode o perno de regulação do ângulo de bisel de 0° no lado direito da base giratória duas ou três vezes para a direita para inclinar a lâmina para a direita. (Fig. 51)

Cuidadosamente nivele o lado da lâmina com a superfície superior da base giratória utilizando uma régua triangular, um esquadro, etc., rodando o perno de regulação do ângulo de bisel de 0° para a esquerda. (Fig. 52)

Certifique-se de que o ponteiro na base giratória aponta para 0° na escala de bisel no braço. Se não apontar para 0°, solte o parafuso que prende o ponteiro e regule-o de modo a que aponte para 0°. (Fig. 53)

(2) Ângulo de bisel de 45°

Regule o ângulo de bisel de 45° só depois de executar a regulação do ângulo de bisel de 0°. Para regular o ângulo de bisel à esquerda de 45°, solte a alavanca e incline a lâmina completamente para a esquerda. Certifique-se de que o ponteiro no braço aponta para 45° na escala de bisel no braço. Se o ponteiro não apontar para 45°, rode o perno de regulação do ângulo de bisel de 45° no lado esquerdo do braço até que aponte para 45°. (Fig. 54)

Substituição das escovas de carvão (Fig. 55 e 56)

Desmonte e verifique as escovas de carvão regularmente. Substitua-as quando estas apresentarem desgaste até 3 mm de comprimento. Mantenha as escovas de carvão limpas e soltas, podendo deslizar nos suportes. Ambas as escovas de carvão devem ser substituídas em simultâneo. Utilize exclusivamente escovas de carvão idênticas.

Recorra a uma chave de fendas para retirar as tampas dos suportes de escovas. Retire as escovas de carvão gastas, introduza as novas e fixe as tampas dos suportes.

Depois da utilização

- Depois da utilização, limpe as aparas e o pó que aderiu à ferramenta com um pano ou material semelhante. Mantenha o resguardo das lâminas limpo conforme instruções constantes da anterior secção com o título "Resguardo da lâmina". Lubrifique os componentes deslizantes com óleo de máquina para evitar a ferrugem.

Para manter a SEGURANÇA e a FIABILIDADE do produto, as reparações e qualquer outra manutenção ou ajuste devem ser levadas a cabo pelos centros de assistência Makita autorizados, utilizando sempre peças de substituição Makita.

ACESSÓRIOS OPCIONAIS

PRECAUÇÃO:

- Estes acessórios ou extensões são recomendados para utilização com a sua ferramenta Makita especificada neste manual. A utilização de quaisquer outros acessórios ou extensões pode representar um risco de lesões para pessoas. Utilize apenas um acessório ou extensão para o fim a que se destina.

Se necessitar de informações adicionais relativas a estes acessórios, solicite-as ao seu centro de assistência Makita.

- Lâminas de serra de aço e pontas de carboneto
- Conjunto do torno (torno horizontal)
- Torno vertical
- Chave hexagonal 13
- Apoio do suporte
- Saco do pó
- Régua triangular
- Cobertura da lâmina
- Varão impulsor
- Conjunto de régua (Guia paralela)

NOTA:

- Alguns itens da lista podem estar incluídos na embalagem da ferramenta como acessórios padrão. Eles podem variar de país para país.

ENG905-1

Ruído

A característica do nível de ruído A determinado de acordo com EN61029:

Modelo LH1201FL 220 V – 240 V

Nível de pressão de som (L_{pA}): 93 dB (A)

Nível do som (L_{WA}): 106 dB (A)

Variabilidade (K): 3 dB (A)

Modelo LH1201FL 110 V

Nível de pressão de som (L_{pA}): 95 dB (A)

Nível do som (L_{WA}): 108 dB (A)

Variabilidade (K): 3 dB (A)

Utilize protectores para os ouvidos

Só para países Europeus

Declaração de conformidade CE

A Makita declara que a(s) seguinte(s) máquina(s):

Designação da ferramenta:

Serra de Esquadria e Bancada

Modelos n°/ Tipo: LH1201FL

Em conformidade com as seguintes directivas europeias:

2006/42/EC

São fabricadas de acordo com as seguintes normas ou documentos normalizados:

EN61029

O ficheiro técnico de acordo com a 2006/42/CE está disponível em:

Makita, Jan-Baptist Vinkstraat 2, 3070, Bélgica

31.7.2015



Yasushi Fukaya
Director

Makita, Jan-Baptist Vinkstraat 2, 3070, Bélgica

Illustrationsoversigt

1 Bolt	29 Pil	57 Skruearm
2 Nederste beskyttelsesskærm A	30 Udvendig flange	58 Skruestang
3 Øverste beskyttelsesskærm	31 Indvendig flange	59 Holder
4 Nederste beskyttelsesskærm B	32 Spindel	60 Skrueknop
5 Skrue	33 Ring	61 Fremspring
6 Sekskantbolt	34 Spaltekniv	62 Skrueaksel
7 Greb	35 Område, der skal trykkes ind	63 Bund
8 Arm	36 Sekskantbolte	64 Skruestik
9 Drejebundens øverste flade	37 Klingebredde	65 Afstandsklods
10 Klingens periferi	38 Langsnitanslagsholder	66 Aluminium-profiler
11 Anslag	39 Styreskinne på det øverste bord	67 Lille studs
12 Viser	40 Spændeskruer (A)	68 Forside/kant parallel
13 Låsearm	41 Spændeskruer (B)	69 Træskruer
14 Indstillingsgreb	42 Langsnitanslag	70 Lim sammen
15 Vinkelskala	43 Linie, der skal rettes ind efter	71 Hul (7 mm i diameter)
16 Skråsnitskala	44 Arbejdsstykke	72 Trykpind
17 Afbryderkontakt	45 Firkantet møtrik	73 Hjelpeanslag
18 Lampekontakt	46 Spændeskive	74 Trykblok
19 Laserkontakt	47 Skala	75 Trekantslineal
20 Lampe	48 Justeringsskruer	76 0° skråvinkeljusteringsbolt
21 Befæstelsesstift	49 Støvmundstykke	77 Øverste overflade af drejeskive
22 Øverste bord	50 Støvpose	78 Arm
23 Motorhus	51 Lukkeskinne	79 45° skråvinkeljusteringsbolt
24 Midterafdækning	52 Støvsuger	80 Skruetrækker
25 Topnøgle	53 Klingedæksel	81 Kulholderdæksel
26 Spindelåls	54 Oplæggerforlænger	82 Knop
27 Savklinge	55 Dreje bunden	
28 Klingehus	56 Underanslag	

SPECIFIKATIONER

Model	LH1201FL
Klingediameter	305 mm
Savbladstykkelse	1,9 mm eller mindre
Hul (skaft) diameter	
For alle lande undtagen europæiske lande	25,4 mm
For europæiske lande	30 mm
Maks. skærekapacitet (H x B) med klinge med en diameter på 305 mm i geringsavs-indstilling	

Skråvinkel	Geringsvinkel	
	90°	45° (venstre til højre)
90°	95 mm x 155 mm 62 mm x 200 mm	95 mm x 110 mm 62 mm x 135 mm
45°	64 mm x 155 mm 40 mm x 200 mm	64 mm x 65 mm 40 mm x 85 mm

Maks. skærekapacitet ved 90° i bordsav (maskinsav) indstilling.	52 mm
Omdrejninger (ubelastet).....	3 800 min ⁻¹
Lasertype	Rød laser 650 nm, < 1 mW (laserklasse 2)
Bordstørrelse (B x H).....	307 mm x 465 mm
Mål (L x B x H).....	610 mm x 535 mm x 692 mm
Nettovægt	20,9 kg
Sikkerhedsklasse	II

- På grund af vores kontinuerlige forskningsprogrammer og udvikling, kan hosstående specifikationer blive ændret uden varsel.
- Specifikationer data kan variere fra land til land.
- Vægt i henhold til EPTA-Procedure 01/2003

Tilsluttet anvendelse

Maskinen er beregnet til præcis og lige skæring og (kun ved anvendelse som geringsstav på det laveste bord) geringsstavning i træ.

Strømforsyning

Maskinen må kun tilsluttes en strømforsyning med samme spænding som angivet på typeskiltet, og kan kun anvendes på enfaset vekselstrømforsyning. Den er dobbeltisoleret og kan derfor også tilsluttes netstik uden jordforbindelse.

Almindelige sikkerhedsregler for el-værktøj

⚠ ADVARSEL! Læs alle sikkerhedsadvarsler og alle sikkerhedsinstruktioner. Hvis nedenstående advarsler og instruktioner ikke overholdes, kan resultatet blive elektrisk stød, brand og/eller alvorlig personskade.

Gem alle advarsler og instruktioner til fremtidig reference.

SIKERHEDSFORSKRIFTER FOR BORDGERINGSSAV**GÆLDER BÅDE GREINGSSAV-INDSTILLING OG BORDSAV (MASKINSAV) INDSTILLING**

1. Kontroller omhyggeligt klingens for revner eller deformation inden brug.
Udskift øjeblikkeligt klingens, hvis den er beskadiget.
2. Anvend ikke saven, hvis beskyttelsesskærmene og spaltekniven ikke er på plads, specielt efter at der er skiftet funktion. Kontroller, at beskyttelsesskærmene lukker ordentligt før brugen. Lad være med at anvende saven, hvis beskyttelsesskærmene ikke bevæger sig frit og lukker øjeblikkeligt. Beskyttelsesskærmene må aldrig klemmes eller bindes til en åben position. Enhver uregelmæssighed i beskyttelsesskærmens funktion skal øjeblikkeligt korrigeres.
3. Anvend kun savklinger, der anbefales af fabrikanten, og som er i overensstemmelse med EN847-1. Snittets rillebredde skal være tykkere end spaltekniven og klingens skal være tyndere end spaltekniven.
4. Anvend ikke savklinger, som er fremstillet af hurtigstål.
5. Brug øjenbeskyttelse.
6. Brug høreværn for at reducere risikoen for nedstøt hørelse.
7. Brug handsker ved håndtering af savklinger (savklinger skal bæres i en holder, når det kan lade sig gøre) og groft materiale.
8. Tilslut maskinen til en støvsuger, når De saver.
9. Læg altid trykpinden på plads, når den ikke skal anvendes.
10. Hold altid gulvområdet omkring maskinniveauet i ordentlig stand og fri for løse materialer som for eksempel savspåner og fraskær.
11. Operatøren skal være fyldestgørende oplært i at bruge, justere og anvende maskinen.
12. Stop saven og tag den ud af forbindelse, når den er uovervåget.
13. Sørg altid for at savklingen er skarp og ren, således at støj under brugen undgås.

14. Brug kun savklinger, som er afmærket med en maksimal hastighed, der er den samme som eller højere end den ubelastede hastighed, der er afmærket på maskinen.
15. Hvis maskinen er udstyret med en laser eller LED, må man ikke udskifte laseren eller LED'en med en anden type. Bed et autoriseret servicecenter om reparation.
16. Fjern aldrig afskær eller andre dele af arbejdsstykket fra skæreområdet, mens maskinen kører med en ubeskyttet savklinge.
17. Maskinen bør ikke anvendes til kærfræsning, falgning eller notning.
18. Inden maskinen transporteres, skal man altid dække den øverste del af savklingen med den øverste beskyttelsesskærm og fastgøre alle bevægelige dele. Når maskinen løftes eller bæres, må man ikke bruge beskyttelsesskærmen som bærehåndtag.
19. Rengør og vær påpasselig med ikke at beskadige spindelen, flangerne (specielt monteringsfladen) og sekskantbolten, inden eller under montering af klingens. Beskadigelse af disse dele kan resultere i, at klingens brækker. Fejltagtig montering kan medføre vibration/slinger og gliden af klingens. Anvend kun flanger, som er beregnet til denne maskine.
20. Anvend altid kun det i denne brugsvejledning anbefalede tilbehør. Anvendelse af forkert tilbehør, som for eksempel slibende skærehjul, kan medføre personskade.
21. Vælg en korrekt savklinge, som passer til det materiale, der skal skæres.
22. Skær ikke metaldele som f.eks. søm og skruer. Udfør en inspektion og fjern alle søm, skruer og andre fremmedgenstande fra arbejdsstykket inden brug.
23. Fjern alle løse knaster fra arbejdsstykket INDEN du begynder at skære.
24. Anvend ikke maskinen i nærheden af antændelige væsker og gasser.
25. Af sikkerhedsmæssige årsager fjernes spåner, søm, afskær og lignende fra arbejdsområdet og bordet, inden maskinen sættes i forbindelse og arbejdet påbegyndes.
26. Hold hænderne og eventuelle omkringstående og Dem selv ude af savklingsbane. Undgå at komme i berøring med savklinger, der kører i frihjul. Berøring kan medføre alvorlig tilskadekomst. De må aldrig række over en savklinge.
27. Vær altid agtpågivende, specielt under rutinemæssigt, monotont arbejde. Det er farligt at blive lullet ind i en falsk følelse af sikkerhed. Savklingerne er yderst farlige.
28. Kontroller, at spindellåsen er udløst, inden afbryderen aktiveres.
29. Lad maskinen køre i tomgang i et stykke tid, inden De anvender den på et arbejdsstykke. Se efter vibration og svingning, som kan være et tegn på mangelfuld montering eller manglende afbalancering af klingens.
30. Påbegynd først savningen, når maskinen er kommet op på fulde omdrejninger.
31. Stop øjeblikkeligt savningen, hvis De bemærker noget unormalt.

32. Sluk for maskinen og vent til savklingen er standset, inden De flytter arbejdsstykket eller ændrer nogen indstillinger.
33. Tag maskinen ud af forbindelse, inden De skifter klinge, udfører reparationer eller når maskinen ikke skal bruges.
34. Støv frembragt under anvendelse kan indeholde kemikalier, der vides at kunne frembringe kræft, fødselsdefekter eller skade på forplantningsevnen. Nogle eksempler på disse kemikalier er:
 - bly fra materialer, der er malet med blyholdig maling
 - arsenik og krom fra kemisk behandlet tømmer.
 Risikoen i forbindelse med udsættelse for disse kemikalier afhænger af, hvor ofte De udfører denne type arbejde. For at reducere udsættelsen for disse kemikalier, bør De arbejde på et veludlufet sted og med anvendelse af godkendt sikkerhedsudstyr, som for eksempel en støvmaske, som er specielt konstrueret til at filtrere mikroskopiske partikler.
35. Selv hvis maskinen anvendes som foreskrevet, er det ikke muligt at eliminere alle resterende risikofaktorer. De følgende farer kan opstå i forbindelse med maskinens konstruktion og design:
 - Helbredsskader som et resultat af hånd-arm vibrationer, hvis el-værktøjet anvendes i et længere tidsrum og ikke bruges eller service-res ordentligt.
 - Personskade eller skade forårsaget af løse tilbehørsdele til maskinen, som uventet kan glide ud/fra el-værktøjet på grund af pludselig beskadigelse, slid eller forkert montering.

VED ANVENDELSE I GERINGSÅV-INDSTILLING:

36. Skift indlægspladen ud, når den viser tegn på slitage.
37. Anvend en trykpind eller en trykblok, så De undgår at bruge hænderne og fingrene til at lukke savklingen.
38. Sørg for, at armen er ordentligt fastgjort, når der udføres skrånit. Stram armen i retningen med uret for at fastgøre den.
39. Udfør ikke nogen savninger på frihånd. Arbejdsstykket skal altid være forsvarligt fastspændt mod drejeskiven og anslaget med skruestikken under alt arbejde med maskinen. Forsøg aldrig at fastholde arbejdsstykket med hånden.
40. Sørg for, at maskinen er stabil, inden et snit udføres.
41. Fastspænd om nødvendigt maskinen på en arbejdsbænk.
42. Understøt lange arbejdsstykker med passende, ekstra støtteanordninger.
43. Skær aldrig et arbejdsstykke, der er så lille, at det ikke kan fastspændes ordentligt i skruestikken. Et arbejdsstykke, der ikke er ordentligt fastspændt, kan medføre tilbageslag og føre til alvorlig tilskadekomst.
44. Anvend ikke saven til at skære andet end træ, aluminium og lignende materialer.
45. Sørg for, at drejeskiven er ordentligt fastspændt, således at den ikke bevæger sig under savningen.

46. Sørg for, at klingerne ikke berører dreje bunden i den nederste position og ikke berører arbejdsstykket, inden der tændes for maskinen med afbryderen.
47. Hold godt fast i grebet. Vær opmærksom på, at saven kan bevæge sig en smule op og ned, når den startes og stoppes.

VED ANVENDELSE I BORDSAV (MASKINSAV) INDSTILLING:

48. Sørg for, at armen er ordentligt fastgjort i arbejdsstillingen. Stram armen i retningen med uret for at fastgøre den.
49. Kontroller, at maskinsavbordet er ordentligt fastgjort i den valgte højde.
50. Udfør ikke nogen savninger på frihånd. "Frihånd" vil sige, at De anvender hænderne til at støtte eller lede arbejdsstykket i stedet for at anvende et langsnitanslag.
51. Kontroller, at klingens ikke berører spaltekniven eller arbejdsstykket, inden afbryderen aktiveres.
52. Vær særligt opmærksom på anvisningerne til reducere af TILBAGESLAG. TILBAGESLAG er en pludselig reaktion på en fastklemt, blokeret eller fejlrettet savklinge. TILBAGESLAG bevirker, at arbejdsstykket slynges fra maskinen mod operatøren. TILBAGESLAG KAN FØRE TIL ALVORLIG PERSONSKADE. Undgå TILBAGESLAG ved altid at holde klingens skarp, ved at holde langsnitanslaget parallelt med spaltekniven og beskyttelsesskærmen og arbejde på korrekt vis ved ikke at frigøre arbejdsstykket, før De har trykket det hele vejen forbi klingens og ved ikke at snitte et arbejdsstykke, som er skævt eller bulet eller ikke har en lige kant til føring langs anslaget.
53. Undgå abrupt, hurtig fremføring. Fremfør arbejdsstykket så langsomt som muligt, når De skærer hårde arbejdsstykker. Lad være med at bøje eller dreje arbejdsstykket under fremføringen. Hvis klingens stopper eller sætter sig fast i arbejdsstykket, skal De øjeblikkeligt slukke for maskinen. Tag maskinen ud af forbindelse. Afhjælp derefter problemet.

GEM DISSE INSTRUKTIONER.

⚠ ADVARSEL:

LAD IKKE bekvemmelighed eller kendskab til produktet (opnået gennem gentagen brug) forhindre, at sikkerhedsforskrifterne for produktet nøje overholdes. MISBRUG eller forsømmelse af at følge de i denne brugvejledning givne sikkerhedsforskrifter kan føre til, at De kommer alvorligt til skade.

MONTERING

⚠ FORSIGTIG:

- Hold gulvområdet omkring maskinens niveau i ordentlig stand og fri for løse materialer, som for eksempel spåner og fraskær.

Montering på arbejdsbænk (Fig. 1)

Denne maskine skal boltes fast med to bolte til en plan og stabil overflade med brug af de bolthuller, som findes i maskinens bund. Dette vil bidrage til, at maskinen ikke tipper og forhindre personskade.

FUNKTIONSBESKRIVELSE

⚠ FORSIGTIG:

- Kontroller altid, at maskinen er slået fra og taget ud af strømforbindelse, før der udføres justeringer eller kontrolleres funktioner på maskinen.

Beskyttelsesskærm (Fig. 2 og 3)

⚠ FORSIGTIG:

- Kontroller, at grebet ikke kan sænkes uden at man trykker armen i nærheden af grebet til venstre.
- Kontroller, at de nederste beskyttelsesskærme A og B ikke åbnes, med mindre armen i nærheden af grebet trykkes til den øverste greb-position.

Når grebet sænkes, mens armen trykkes til venstre, vil den nederste beskyttelsesskærm A automatisk hæve sig. De nederste beskyttelsesskærme er fjederbelastede, hvorfor de går tilbage til deres udgangsstilling, når skæringen er færdig og grebet er hævet. Den øverste beskyttelsesskærm lægger sig på overfladen, når arbejdsstykket er passeret under den. DE NEDERSTE BESKYTTELSESSKÆRME, FJEDEREN SOM SIDDER PÅ DEN NEDERSTE BESKYTTELSESSKÆRM OG DEN ØVERSTE BESKYTTELSESSKÆRM MÅ ALDRIG SÆTTES UD AF FUNKTION ELLER FJERNES.

I Deres egen sikkerheds interesse bør De altid holde hver enkel beskyttelsesskærm i forskriftsmæssig stand. Uregelmæssigheder i beskyttelsesskærmens gang bør straks afhjælpes. Kontroller, at fjederbelastningen fungerer og får skærmen til at gå på plads. BRUG ALDRIG MASKINEN, HVIS DEN NEDERSTE BESKYTTELSESSKÆRM, FJEDEREN ELLER DEN ØVERSTE BESKYTTELSESSKÆRM ER BESKADIGET, DEFEKT ELLER MANGLER. DET ER MEGET FARLIGT OG KAN MEDFØRE ALVORLIG PERSONSKADE.

Hvis en af de transparente beskyttelsesskærme er blevet snavset, eller der sidder så meget snavsmuld på den, at savklingen ikke længere kan ses tydeligt, bør De tage maskinen ud af forbindelse og omhyggeligt rengøre beskyttelsesskærmene med en fugtig klud. Benyt ikke opløsningsmidler eller rengøringsmidler på petroleumsbasis på plasticskærmen.

Gå frem som vist herunder, hvis den nederste beskyttelsesskærm A er særlig snavset og der ikke kan ses tydeligt gennem skærmen. Fastgør det øverste bord i den helt hævede position, hæv grebet helt, tryk befæstelsesstiften helt ind med grebet helt oppe og anvend den medfølgende topnøgle til at løsne sekskantbolten, der holder midterafskærmningen på plads. Løsn sekskantbolten ved at dreje den i retningen mod uret og hæv den nederste beskyttelsesskærm A og midterafskærmningen, idet armen trykkes til venstre. Med den nederste beskyttelsesskærm A i denne position, er en fuld og effektiv rengøring nemmere at udføre. Når rengøringen er færdig, udføres ovenstående procedure i modsat orden og bolten spændes til.

I det samme tilfælde for den øverste beskyttelsesskærm som vist herover, løsnes skruen, der holder den på plads, med en skruetrækker, og den øverste beskyttelsesskærm fjernes. Efter rengøring skal den altid monteres igen ved at man strammer skruen så meget, at den øverste beskyttelsesskærm uhindret kan bevæge sig op og ned.

Hvis en af beskyttelsesskærmene bliver misfarvet med tiden eller som følge af ultraviolet bestråling, bør De kontakte et Makita servicecenter for at få en ny beskyttelsesskærm. **OMGÅ ELLER AFMONTER ALDRIG BESKYTTELSESSKÆRMENE.**

Sikring af maksimal skæredybde (Fig. 4)

Denne maskine er fra fabrikkens side indstillet til at give den maksimale skæredybde med en 305 mm savklinge.

⚠ FORSIGTIG:

- Efter montering af en ny savklinge, skal det altid sikres, at klingens ikke er i berøring med nogen dele af den nederste bund, når grebet er fuldstændig sænket. Udfør altid dette med maskinen taget ud af strømforbindelse.

Justering af geringsnit (Fig. 5)

Løsn indstillingsgrebet ved at dreje det mod uret. Drej dreje bunden, mens låsearmen holdes nede. Når grebet er flyttet til den position, hvor viseren står ud for den ønskede vinkel på vinkelskalaen, fastgøres indstillingsgrebet ved at dreje det med uret.

⚠ FORSIGTIG:

- Når dreje bunden drejes, skal håndtaget være helt hævet.
- Efter ændring af geringsvinklen, skal dreje bunden altid sikres ved at indstillingsgrebet spændes stramt til.

Justering af skråvinklen (Fig. 6 og 7)

For at justere vinklen ved skråsnit, løsnes håndtaget på bagsiden af maskinen i retningen mod uret.

Tryk håndtaget mod venstre for at kippe savklingen, indtil viseren står ud for den ønskede vinkel på skråsnitskalaen. Stram derefter håndtaget for at holde armen på plads.

⚠ FORSIGTIG:

- Når savklingen kippes, skal håndtaget altid være helt hævet.
- Efter ændring af skråvinklen skal håndtaget altid sikres ved at det strammes i retningen med uret.

Afbrøderfunktion (Fig. 8)

⚠ FORSIGTIG:

- Sørg inden anvendelsen for, at maskinen tændes og afbrydes.

Maskinen startes ved at man trykker på ON (I) knappen. Maskinen stoppes ved at man trykker på OFF (O) knappen.

Tænding af lamperne (Fig. 9)

Tryk på den øverste del af afbrøderen for at tænde lyset og på den nederste del for at slukke det.

⚠ FORSIGTIG:

- Kig aldrig direkte på lyskilden. Lad ikke lyset falde i Deres øjne.

BEMÆRK:

- Benyt en tør klud til at tørre snavs af lampens linse. Undgå at ridse lampens linse, da det kan medføre reduceret lysstyrke.

Anvendelse af laserstråler (Fig. 10)

⚠ FORSIGTIG:

- LASERSTRÅLING

Stir ikke ind i strålen.

For at aktivere laserstrålen, skal De trykke på den øverste del (I) af afbryderen. For at afbryde laserstrålen, skal De trykke på den nederste del (O) af afbryderkon-takten.

Hævning og sænkning af det øverste bord

(Fig. 11)

For at hæve og sænke det øverste bord, skal man løse de to arme ved at dreje dem i retningen mod uret og derefter dreje knappen. For at hæve det øverste bord, skal man dreje knappen i retningen med uret. For at sænke det øverste bord, skal man dreje knappen i retningen mod uret. Stram disse arme godt til, når indstillingen er færdig.

⚠ ADVARSEL:

- Anbring det øverste bord i den øverste stilling, når maskinen anvendes i geringssav-indstilling og i den ønskede stilling, når den anvendes i bordsav-indstilling (maskinsav-indstilling).

SAMLING

⚠ FORSIGTIG:

- Sørg altid for, at maskinen er slukket og at netledningen er taget ud af forbindelse, inden der foretages noget arbejde på selve maskinen.

Montering og afmontering af savklingen

⚠ FORSIGTIG:

- Sørg altid for, at maskinen er slukket og taget ud af forbindelse, før savklingen monteres eller afmonteres.
- Anvend kun den topnøgle, som er leveret af Makita, til at montere og afmontere savklingen. Anvendelse af andre topnøgler kan medføre en for hård eller for let tilspænding af sekskantbolten. Dette kan medføre personskade.

Fastgør det øverste bord i den øverste position.

Lås håndtaget i den hævede stilling ved at trykke stopstiften ind. (Fig. 12)

Anvend derefter topnøglen til at løsne sekskantbolten, som holder midterafdækningen på plads, ved at dreje den i retningen mod uret. Løft den nederste beskyttelses-skærm A og midterafdækningen, idet De skubber armen nær grebet til venstre. (Fig. 13 og 14)

Tryk på spindellåsen, så spindelen låses, og anvend topnøglen til at løsne sekskantbolten i retningen med uret. Fjern derefter sekskantbolten, den ydre flange og savklingen. (Fig. 15)

For at montere savklingen sættes denne på spindelen, idet De forviser Dem om, at pilens retning på savklingen stemmer overens med pilens retning på klingehuset. Monter den ydre flange og sekskantbolten. Benyt derefter topnøglen til at spænde sekskantbolten (venstreskåret gevind) fast ved at dreje den mod uret, mens der trykkes på spindellåsen. (Fig. 16 og 17)

⚠ FORSIGTIG:

- Ringen 25,4 mm eller 30 mm i udvendig diameter er monteret på spindelen på fabrikken. Før savklingen monteres på spindelen, bør det altid kontrolleres, at den korrekte ring, der svarer til skaffullet i den savklinge, som De agter at bruge, er monteret på spindel-en. (Fig. 18)

Sæt den nederste beskyttelsesskærm A og midterafdækningen tilbage på plads. Stram dernæst sekskantbolten til i retningen med uret for at holde midterafdækningen på plads. Løft den nederste beskyttelsesskærmen B så meget som muligt og stram spændeskruen godt til, idet den holdes i den hævede position. Sænk grebet for at sikre, at de nederste beskyttelsesskærme bevæger sig korrekt. Sørg for, at spindellåsen har udløst spindelen, inden der saves.

Indstilling af spaltekniven

Løsn, inden spaltekniven indstilles, de to arme ved at dreje dem i retningen mod uret og flytte det øverste bord til dets sænkede stilling ved at dreje knappen i retningen mod uret. Fastgør dernæst det øverste bord ved at spænde de to arme til igen, som vist på illustrationen. (Fig. 19)

Der skal være en afstand på omkring 4 – 5 mm mellem spaltekniven og klingens tænder. Indstil spaltekniven ved at løsne to sekskantbolte i retningen mod uret med unbrakonøglen og mål afstanden. Stram sekskantboltene godt til og kontroller derefter, at den øverste beskyttelsesskærm bevæger sig frit, inden De begynder at save. (Fig. 20)

Spaltekniven er monteret inden forsendelsen fra fabriken, således at klingens og spaltekniven flugter. (Fig. 21)

⚠ FORSIGTIG:

- Hvis klingens og spaltekniven ikke er rettet korrekt ind efter hinanden, kan resultatet blive en farlig fastklem-melse under savningen. Sørg for, at spaltekniven er placeret mellem begge yderenderne af klingetænderne, når de ses ovenfra. De kan komme alvorligt til skade, hvis maskinen anvendes, uden at spaltekniven er i den korrekte stilling. Hvis de af en eller anden grund ikke er i korrekt stilling, skal De få dem repareret hos et autoriseret Makita-servicecenter.
- Fjern ikke spaltekniven.

Montering og justering af langsnitanslaget

1. Monter langsnitanslaget på bordet, således at langs-nitanslagsholderen griber fat i styreskinnen. Stram spændeskruen (B) på langsnitanslaget godt til i retningen med uret.
2. Løsn spændeskruen (A).
3. Skub langsnitanslaget og fastgør det, således at den fjerne ende (set fra Dem) er på linie med det punkt ved hvilket forkanten af saven lige netop stikker frem fra arbejdsstykkets øverste overflade. Formålet med denne justering er at reducere risikoen for tilbagelag mod operatøren, hvor fraskær fra arbejdsstykket er klemt fast mellem savklingen og langsnitanslaget og til sidst vil blive slynget ud i retning af operatøren. Linien 3 varierer alt efter arbejdsstykkets tykkelse eller bordniveauet. Juster positionen af langsnitanslaget alt efter tykkelsen af arbejdsstykket.
Når langsnitanslaget er justeret, strammes skruen (A) godt til. (Fig. 22 og 23)

BEMÆRK:

- Langsnitanslaget skal monteres på venstre side af savklingen, når det bruges i geringssav-indstilling. (Fig. 24)

BEMÆRK:

- Der er fire mønstre til placering af langsnitanslaget som vist på illustrationen. (Fig. 25) Langsnitanslaget har to slidser på siderne, den ene slids med en hævet rand i nærheden på samme side, den anden uden. Anvend kun overfladen af langsnitanslaget med denne rand vendende mod arbejdsstykket, når der skæres i tynde arbejdsstykker.

BEMÆRK:

- For at ændre langsnitanslagsmønsteret, skal man fjerne langsnitanslaget fra holderen ved at løsne spændeskruen (A) og ændre langsnitanslagets anlægssflade til langsnitanslagsholderen, således at langsnitanslaget vender mod holderen i overensstemmelse med arbejdet som vist på illustrationen. Sæt den firkantede møtrik på langsnitanslagsholderen ind i bagenden af hver slids på langsnitanslaget, så de passer som vist på illustrationen.

For at skifte fra mønster A eller B til mønster C eller D, eller i modsat tilfælde, skal man fjerne den firkantede møtrik, spændeskruen og spændeskruen (A) fra langsnitanslagsholderen og derefter anbringe spændeskruen (A), spændeskruen og den firkantede møtrik i den modsatte stilling af langsnitanslagsholderen sammenlignet med den oprindelige stilling. Stram derefter spændeskruen (A) ordentligt, efter at De har sat langsnitanslagsholderens firkantede møtrik i slidsen på langsnitanslaget.

Sæt den firkantede møtrik på langsnitanslagsholderen ind i bagsiden af en af slidserne på langsnitanslaget som vist på illustrationen. (Fig. 26)

Langsnitanslaget er på fabrikken indstillet således, at det er parallelt med savklings overflade. Kontroller, at de er parallelle. Herunder beskrives, hvordan man kontrollerer, at langsnitanslaget er parallelt med savklingen. Sænk bordet til dets nederste position, så klingens stikker frem fra bordet i den øverste position. Afmærk en af klingens tænder med en blyant. Afmærk afstanden (A) og (B) mellem langsnitanslaget og klingens. Tag begge mål med brug af tanden afmærket med blyanten. (Fig. 27) Disse to mål bør være identiske. Hvis langsnitanslaget ikke er parallelt med savklingen, skal De gå frem som vist herunder: (Fig. 28)

- (1) Drej justeringsskruerne i retningen mod uret.
- (2) Flyt bagkanten af langsnitanslaget en smule til højre eller venstre, indtil det er parallelt med klingens.
- (3) Stram justeringsskruen på langsnitanslaget godt til.

⚠ FORSIGTIG:

- Sørg for at indstille langsnitanslaget således, at det er parallelt med klingens, da der ellers kan opstå et farligt tilbageslag.
- Sørg for at indstille langsnitanslaget således, at det ikke kommer i berøring med den øverste beskyttelses-skærm eller savklingen. (Fig. 29)

Støvpose

Anvendelse af støvposen giver et renere arbejdsmiljø og gør opsamling af støv nemmere. Støvposen sættes på ved at dens mundstykke sættes på støvmundstykket. (Fig. 30)

BEMÆRK:

- I geringssav-indstilling skal støvposen altid kun sættes på det bageste mundstykke.

Når støvposen er cirka halvt fyldt, tages den af maskinen og lukkeskinnen trækkes ud. Tøm støvposen og bank let på den, så de støvpartikler, der har samlet sig på de indvendige flade er og som kan nedsætte effektiviteten af støvopsamlingen, fjernes. (Fig. 31) Hvis De tilslutter en støvsuger til denne maskine, kan en renere og mere effektiv udsugning opnås. Tilslut en støvsuger, når maskinen anvendes i bordsav-indstilling.

Bordsav-indstilling (Fig. 32)

Geringssav-indstilling (Fig. 33)

For at montere klingedækslet, når maskinen anvendes i bordsav-indstillingen (maskinsav-indstilling), skal man dreje bunden til 0° skråvinkel (se afsnittet "Justering af geringssnit") og anbringe klingedækslet på drejeskiven, så klingedækslet er centreret over slidsen ind i drejeskiven og derefter lukke grebet i den nederste position ved at trykke befæstelsesstiften ind som vist på illustrationen.

BEMÆRK:

- Når maskinen anvendes i bordsav-indstilling (maskinsav-indstilling), skal De sørge for, at klingedækslet er monteret på drejeskiven.

Fastspænding af arbejdsstykket

Det er meget vigtigt at fastspænde arbejdsstykket godt i skruestikken. Hvis De må bruge hænderne til at fastholde arbejdsstykket, skal De holde godt fast, så De ikke mister kontrollen over arbejdsstykket. Hænder og arme skal holdes på god afstand af savklings arbejdsområde (mindst 100 mm). Tryk arbejdsstykket fast mod anslaget med fingrene holdt over toppen af anslaget. Arbejdsstykket skal desuden hvile fast på dreje bunden.

⚠ ADVARSEL:

- Brug aldrig hånden til at holde i arbejdsstykket, hvis dette kræver, at Deres hånd er nærmere end 100 mm fra klingens arbejdsområde. I dette tilfælde skal De altid anvende skruestikken til at fastspænde arbejdsstykket. Hæv forsigtigt klingens efter hver skæring. Hæv aldrig klingens, før den er fuldstændig standset. Dette kan bevirke, at De kommer alvorligt til skade.

⚠ FORSIGTIG:

- Ved skæring af lange arbejdsstykker, bør der benyttes oplæggerforlængere, der har samme højde som dreje bundens overflade. Forlad Dem ikke udelukkende på den lodrette og/eller vandrette skruestik (ekstraudstyr) ved fastspænding af arbejdsstykket. (Fig. 34) Tynde materialer har en tendens til at bøje. Understøt altid et arbejdsstykke i hele dets længde, så det undgås at klingens klemmes fast med TLBAGESLAG som resultat.

Underanslag (kun lande i Europa) (Fig. 35)

Denne maskine er udstyret med et underanslag. Underanslaget skal normalt anbringes indeni. Men ved udførelse af venstre skråsnit, skal det placeres udvendigt.

⚠ FORSIGTIG:

- Ved udførelse af venstre skråsnit, skal underanslaget placeres udvendigt. Ellers vil det komme i berøring med klingens eller en del af maskinen med risiko for at operatøren kommer alvorligt til skade.

Lodret skruestik (Fig. 36)

Den lodrette skruestik kan monteres i to positioner på enten den venstre eller højre side af anslaget. Sæt skruestangen ind i hullet i anslaget eller holderenheden og stram skruen for at fastspænde skruestangen.

Indstil skruearmen efter arbejdsstykkets tykkelse og form og fastspænd den ved hjælp af skruen. Hvis skruen til fastspænding af skruearmen kommer i kontakt med anslaget, skal skruen monteres på den modsatte side af skruearmen. Sørg for, at ingen del af maskinen kommer i kontakt med skruestikken, når håndtaget sænkes helt. Hvis nogen dele berører skruestikken, skal skruearmen genindstilles.

Tryk arbejdsstykket fladt mod anslaget og dreje bunden. Juster arbejdsstykket til den ønskede skæreposition og fastspænd det ved at stramme skruen.

⚠ FORSIGTIG:

- Arbejdsstykket skal være helt fastspændt mod dreje bunden og anslaget.

Vandret skruestik (ekstraudstyr) (Fig. 37)

Den vandrette skruestik kan monteres enten på venstre eller højre side af bunden. Når der udføres geringssnit på 30° eller mere, skal den vandrette skruestik monteres på den side, der vender modsat den retning, i hvilken dreje bunden skal drejes. Ved at dreje skruen på maskinen mod uret, frigøres skruen og skruespindelen kan bevæges hurtigt ind og ud. Ved at dreje skruen på maskinen i retningen med uret, holdes skruen på plads. Arbejdsstykket fastholdes ved at man drejer skruen forsigtigt i retningen med uret, indtil fremspringet når den øverste position. Spænd derefter godt til. Hvis skruen tvinges ind eller trækkes ud, mens den drejer i retningen med uret, kan fremspringet stoppe i en vinkel. I dette tilfælde skal skruen drejes tilbage i retningen mod uret, indtil skruen frigøres, inden den igen drejes forsigtigt i retningen med uret.

Den maksimale bredde af arbejdsstykket, som kan fastspændes med den vandrette skruestik, er 200 mm.

ANVENDELSE

⚠ ADVARSEL:

- Når maskinen anvendes som geringssav, skal det øverste bord fastspændes i den øverste position, således at savklingen ikke på noget tidspunkt stikker frem fra den øverste overflade af det øverste bord.

⚠ FORSIGTIG:

- For brugen bør håndtaget altid frigøres fra den nederste stilling ved at man trækker i stopstiften.
- Sørg for, at savklingen ikke berører emnet etc., inden maskinen startes.

ANVENDELSE SOM GERINGSsav

⚠ FORSIGTIG:

- Øv ikke et for stort tryk på grebet under savningen. Et for stort tryk kan resultere i overbelastning af motoren og/eller nedsat skæreeffektivitet. Tryk kun grebet ned med så megen kraft som der kræves for at udføre ubesværet savning og uden at klingens hastighed reduceres ret meget.
- Tryk forsigtigt grebet ned for at udføre savningen. Hvis grebet trykkes ned med magt, eller hvis det udsættes for sidelæns tryk, vibrerer savklingen og efterlader mærker (savmærker) på arbejdsstykket, ligesom savningen ikke vil blive nøjagtig.

1. Tryksnit (Fig. 38)

Fastgør arbejdsstykket mod anslaget og drejeskiven.

Tænd for maskinen, uden at klingens kommer i kontakt, og vent til klingens er kommet op på fulde omdrejninger, inden sænkning. Sænk derefter grebet til den helt sænkede position for at skære arbejdsstykket. Når savningen er færdig, slukkes maskinen, hvorefter De skal VENTE TIL SAVKLINGEN STÅR HELT STILLE, før savbladet bringes tilbage til den helt hævede position.

2. Geringssnit

Vi henviser til det tidligere afsnit "Justering af geringssnit".

3. Skråsnit (Fig. 39)

Løsn armen og vip savklingen for at indstille vinklen til skråsnit. (Vi henviser til det tidligere afsnit "Justering af skråvinklen"). Sørg for at spænde armen godt fast igen, så skråsnitvinklen ikke ændrer sig. Fastgør arbejdsstykket mod anslaget og drejeskiven. Tænd for maskinen uden at savklingen berører arbejdsstykket og vent, til klingens er kommet op på fulde omdrejninger. Sænk derefter forsigtigt håndtaget til den laveste position, mens der lægges tryk parallelt med savklingen. Når skæringen er afsluttet, skal De slukke for maskinen og VENTE TIL SAVKLINGEN STÅR HELT STILLE, før savklingen bringes tilbage til dens øverste position.

⚠ FORSIGTIG:

- Sørg altid for, at klingens bevæger sig ned i skråsnittets retning, når der udføres skråsnit. Hold hænderne væk fra savklings bane.
- Når der udføres skråsnit, kan der opstå en situation, hvor det afskære stykke hviler mod siden af savklingen. Hvis savklingen hæves, mens den stadig roterer, kan dette fraskær blive fanget i savklingen, og små stykker fraskær kan blive slynget væk, hvilket er meget farligt. Savklingen må KUN hæves, efter at den er stoppet fuldstændigt.
- Når håndtaget trykkes ned, skal dette gøres samtidigt med at savklingen trykkes ned. Hvis trykket ikke er parallelt med savklingen under en skæring, kan savklings vinkel ændre sig, hvorved skærenøjagtigheden vil blive forringet.
- (Kun lande i Europa). Anbring altid underanslaget udvendigt, når der udføres venstre skråsnit.

4. Kombineret snit

Kombineret snit er betegnelsen for den proces, hvor der frembringes en skråvinkel, samtidig med at der laves en geringsvinkel i arbejdsstykket. Kombineret snit kan udføres i en vinkel som vist i nedenstående tabel.

Skråvinkel	Geringsvinkel
45°	Venstre og højre 0° – 45°

006366

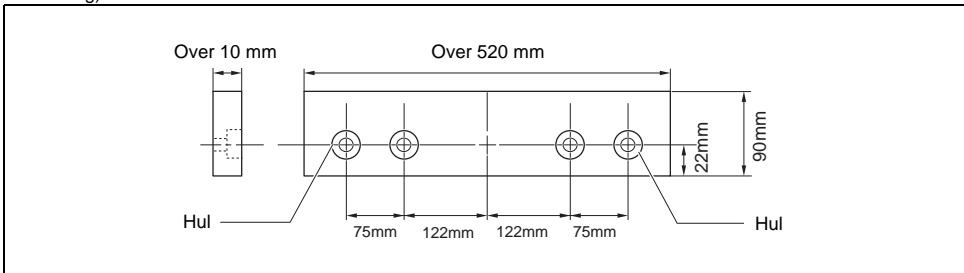
Se forklaringerne i "Tryksnit", "Geringssnit", og "Skråsnit", når der skal udføres kombineret savning.

5. Skæring af aluminium-profiler (Fig. 40)

Når aluminium-profiler fastspændes, skal der anvendes afstandsklodser eller nogle stykker affaldstræ som vist på illustrationen for at forhindre, at aluminiumet bliver bøjet eller beskadiget. Anvend skæreeolie, når der skæres aluminium-profiler, for at forhindre, at der sætter sig aluminium på savklingen.

⚠ FORSIGTIG:

- Forsøg aldrig at skære tykke eller runde aluminium-profiler. Tykke aluminium-profiler kan løsne sig under arbejdet, og runde profiler kan ikke fastspændes godt nok med denne maskine.
- Sav aldrig i aluminium i bordsav-indstilling (maskinsav-indstilling).



015190

⚠ FORSIGTIG:

- Anvend et lige stykke træ med ensartet tykkelse som træanlægget.
- Anvend skruer til at montere træanlægget på anslaget. Skruerne skal anbringes således, at skruernes hoveder ikke stikker op over overfladen af træanlægget.
- Når træanlægget er monteret, må De ikke dreje bunden med hånden sænket. Klingens og/eller træanlægget vil i så fald lide skade.

ANVENDELSE SOM BORDSAV (MASKINSAV-INDSTILLING)

Når maskinen anvendes i bordsav-indstilling (maskinsav-indstilling), skal klingedækslet på drejeskiven anbringes således, at det er centreret over slidens til klingens indsætning i drejeskiven og de to små studser på undersiden af klingedækslet passer ind i den halvcirkelformede slids i anslagets periferi, hvorefter grebet skal lukkes i den laveste stilling ved at befæstelsesstiften trykkes helt ind. Hvis klingedækslet ikke fastgøres, kan bordet ikke sænkes. (Fig. 41)

På maskiner i lande i Europa skal underanslaget placeres udvendigt, inden klingedækslet sættes på plads.

⚠ FORSIGTIG:

- Anvend altid "arbejdshjælpeanordninger" som for eksempel trykpinde og trykblokke, hvis der er fare for, at deres hænder og fingre kan komme for tæt på klingens.
- Hold altid godt fast i arbejdsstykket med bordet og langsnitanslaget. Det må ikke bøjes eller vrides under fremføringen. Hvis arbejdsstykket bøjes eller vrides, kan der opstå farlige tilbageslag.
- De må ALDRIG trække arbejdsstykket ud, mens maskinen er i gang. Hvis det er nødvendigt at fjerne arbejdsstykket, inden De fjerner arbejdsstykket. Forsømmelse af dette kan give farlige tilbageslag.
- Fjern ALDRIG fraskær, mens klingens kører.
- Anbring ALDRIG hænder eller fingre i savklængens bane.
- Fastgør altid langsnitanslaget ordentligt, da der ellers kan opstå farlige tilbageslag.

6. Træanlæg

Anvendelse af træanlæg hjælper med til opnåelse af snit, der er fri for splinter. Fastgør et træanlæg til anslaget ved hjælp af hullerne i anslaget. Se illustrationen angående målene for et foreslået træanlæg.

- Anvend altid "arbejdshjælperne" som f.eks. trykstykker eller trykblokke, når der skæres i små eller smalle arbejdsstykker.

Arbejdshjælpeanordninger

Trykpinde, trykblokke eller hjælpeanslag er eksempler på "arbejdshjælpeanordninger". Anvend dem til at lave sikre, risikofri snit uden at operatøren behøver at komme i kontakt med klingens med nogen del af kroppen.

Trykblok (Fig. 42)

Anvend et stykke krydsfiner på 15 mm.

Grebet bør være i midten af krydsfinerstykket. Fastgør med lim og træskruer som vist på illustrationen. Et lille stykke træ på 10 mm x 9 mm x 30 mm skal altid limes på krydsfiner for at forhindre at klingens bliver sløv, hvis operatøren ved en fejltagelse kommer til at skære ind i trykblokken. (Anvend aldrig søm i trykblokken).

Hjælpeanslag (Fig. 43 og 44)

Lav hjælpeanslag af krydsfinerstykker på 10 mm til 15 mm.

Fjern langsnitanslaget, frændeskruen (A), den flade spændeskive og den rirkantede møtrik fra langsnitanslagholderen og monter og fastgør derefter hjælpeanslaget til langsnitanslagholderen ved hjælp af en M6-bolt, som er længere end M6 x 50, spændeskiver og møtrik.

Kløvning

⚠ FORSIGTIG:

- Når der skæres i lange eller store arbejdsstykker, skal der altid være tilstrækkelig støtte bag bordet. Tillad IKKE, at et langt bræt flytter eller bevæger sig på bordet. Dette vil bevirk, at klingens klemmes fast og øge risikoen for tilbageslag og personskade. Støtten bør være samme højde som bordet.
1. Indstil dybden af snittet til en smule højere end tykkelsen af arbejdsstykket. Denne indstilling udføres ved at man løsner to arme og sænker eller hæver det øverste bord.
 2. Anbring langsnitanslaget til den ønskede langsnitbredde og fastgør det ved at stramme spændeskruen (A). Inden kløvningen skal De sikre Dem, at de to skruer på langsnitanslagholderen er strammet. Stram dem yderligere, hvis de ikke er strammet tilstrækkeligt.

3. Tænd for maskinen og før forsigtigt arbejdsstykket ind i klingen sammen med langsnitanslaget.
- (1) Hvis bredden af langsnittet er 40 mm eller mere, anvendes en trykpind. (Fig. 45)
- (2) Hvis bredden af langsnittet er smallere end 40 mm, kan trykpinden ikke anvendes, fordi den vil kolliderer med den øverste beskyttelseskærm. Anvend hjælpeanslaget og trykblokken. Monter forsvarligt det hjælpeanslag, som er fastgjort til langsnitanslagsholderen på bordet. Før arbejdsstykket frem med hånden, indtil dets ende er omkring 25 mm fra forkanten af det øverste bord. Fortsæt med at fremføre arbejdsstykket ved hjælp af trykpinden øverst på hjælpeanslaget, indtil snittet er fuldført. (Fig. 46)

Transport af maskinen

Sørg for, at maskinen er taget ud af forbindelse. Bordet skal være fastgjort i den øverste stilling. Fastgør klingens 0° til skråsnit, og drej bunden til venstre til fuld geringsvinkel. Sænk grebet helt og lås det i den sænkede position ved at trykke befæstelsesstiften helt ind. (Fig. 47)

Bær maskinen ved at holde i begge sider af maskinens bund som vist på illustrationen. Hvis De fjerner holderne, støvposen etc. bliver det nemmere at bære maskinen. (Fig. 48)

⚠ FORSIGTIG:

- Fastgør altid alle bevægelige dele, før maskinen transporteres.

VEDLIGEHOLDELSE

⚠ FORSIGTIG:

- Sørg altid for, at maskinen er slået fra og taget ud af forbindelse, før der udføres eftersyn eller vedligeholdelse.
- Anvend aldrig benzin, rensebenzin, fortynder, alkohol og lignende. Resultatet kan blive misfarvning, deformation eller revner.

⚠ ADVARSEL:

- Sørg altid for, at klingens er skarp og ren, så dens ydelse bliver bedst mulig og sikkerhedsmæssigt forsvarlig.

Indstilling af skærevinklen

Denne maskine er omhyggeligt indstillet og justeret på fabrikken, men indstillingerne kan ændre sig under transport og brug. De kan selv foretage indstillinger, som beskrevet herunder, hvis maskinen ikke er indstillet korrekt.

1. Geringsvinkel

Løsn grebet, der fastholder dreje bunden. Drej dreje bunden, så viseren står ud for 0° på vinkelskalaen. Stram grebet og løsn sekskantboltene, som holder anslaget på plads ved hjælp af topnøglen. (Fig. 49)

Sænk grebet fuldstændigt og lås det i den sænkede position ved at skubbe befæstelsesstiften ind. Sæt savklingens side i en ret vinkel mod anslagets forside ved hjælp af en trekantslineal, anslagsvinkel etc. Stram derefter sekskantboltene på anslaget, begyndende fra højre side. (Fig. 50)

2. Skråvinkel

(1) 0° skråvinkel

Sænk grebet fuldstændigt og lås det i den sænkede position ved at skubbe befæstelsesstiften ind. Løsn armen på bagsiden af maskinen.

Drej 0° skråvinkeljusteringsbolten på højre side af dreje bunden to eller tre omdrejninger i retningen med uret for at tippe klingens side i en ret vinkel mod overfladen af dreje bunden ved hjælp af trekantslineal, anslagsvinkel etc. ved at dreje 0° skråvinkeljusteringsbolten i retningen mod uret. (Fig. 51)

Sæt savklingens side i en ret vinkel mod overfladen af dreje bunden ved hjælp af trekantslineal, anslagsvinkel etc. ved at dreje 0° skråvinkeljusteringsbolten i retningen mod uret. (Fig. 52)

Bekræft, at viseren på dreje bunden peger på 0° på skalaen på armen. Hvis den ikke peger på 0°, skal skrueerne, der holder viseren, løsnes, og viseren justeres, så den peger på 0°. (Fig. 53)

(2) 45° skråvinkel

Indstil kun 45° skråvinklen, efter at De har udført indstillingen for 0° skråvinklen. Indstil den venstre 45° skråvinkel ved at løsne armen og tippe klingens helt til venstre. Sørg for, at viseren på armen peger på 45° på skalaen på armen. Hvis viseren ikke peger på 45°, drejes 45° skråvinkeljusteringsbolten på venstre side af armen, indtil viseren peger på 45°. (Fig. 54)

Udskiftning af kulbørsterne (Fig. 55 og 56)

Tag kulbørsterne ud og efterse dem periodisk. Skift ud, når de er slidt ned til 3 mm i længden. Hold kulbørsterne rene, så de altid passer ind i hullerne. Begge kulbørster bør udskiftes parvis og samtidigt. Anvend kun identiske kulbørster.

Benyt en skruetrækker til at fjerne kuldækslerne. Tag de slidte kulbørster ud, sæt de nye i, og fastgør kuldækslerne.

Efter anvendelse

- Efter anvendelse aftørres spåner eller støv, der måtte klæbe til maskinen, med en klud eller lignende. Hold beskyttelseskærmene rene som beskrevet i afsnittet "Beskyttelseskærm". Smør de glidende dele på maskinen med olie for at forhindre rustdannelse.

For at opretholde produktets sikkerhed og pålidelighed, må istandsættelse, vedligeholdelse eller justering kun udføres af et autoriseret Makita service center med anvendelse af Makita reservedele.

EKSTRAUDSTYR

FORSIGTIG:

- Dette udstyr og tilbehør bør anvendes sammen med Deres Makita maskine, sådan som det er beskrevet i denne brugsanvisning. Anvendelse af andet udstyr eller tilbehør kan udgøre en risiko for personskade. Tilbehøret bør kun anvendes til det, det er beregnet til.

Hvis De behøver hjælp ved valg af tilbehør eller ønsker yderligere informationer, bedes De kontakte Deres lokale Makita service center.

- Stål- og kapidstålsskrævsavklinge
- Skruestik (vandret skruestik)
- Lodret skruestik
- Topnøgle 13
- Holder
- Støvpøse
- Trekantslineal
- Klingedæksel
- Trykpind
- Linealenhed (langsnitanslag)

BEMÆRK:

- Nogle ting på denne liste kan være inkluderet i værktøjsspakken som standardtilbehør. Det kan være forskellige fra land til land.

ENG905-1

Lyd

Det typiske A-vægtede støjniveau bestemt i overensstemmelse med EN61029:

Model LH1201FL 220 V – 240 V

Lydtrykniveau (L_{pA}): 93 dB (A)
Lydeffektniveau (L_{WA}): 106 dB (A)
Usikkerhed (K): 3 dB (A)

Model LH1201FL 110 V

Lydtrykniveau (L_{pA}): 95 dB (A)
Lydeffektniveau (L_{WA}): 108 dB (A)
Usikkerhed (K): 3 dB (A)

Bær høreværn

Kun for lande i Europa

EU-konformitetserklæring

Makita erklærer, at den følgende maskine (maskiner):

Maskinens betegnelse:

Bord-geringsav

Model nr./ Type: LH1201FL

opfylder betingelserne i de følgende EU-direktiver:

2006/42/EC

De er fremstillet i overensstemmelse med den følgende standard eller standardiserede dokumenter:

EN61029

Den tekniske fil, som er i overensstemmelse med 2006/42/EU, er tilgængelig fra:

Makita, Jan-Baptist Vinkstraat 2, 3070, Belgien

31.7.2015



Yasushi Fukaya
Direktør

Makita, Jan-Baptist Vinkstraat 2, 3070, Belgien

Περιγραφή γενικής άποψης

1 Μπουλόνι	29 Βέλος	58 Ράβδος μέγγενης
2 Κάτω προφυλακτικό λάμας Α	30 Εξωτερική φλάντζα	59 Θήκη
3 Ανω προφυλακτικό λάμας	31 Εσωτερική φλάντζα	60 Κουμπί μέγγενης
4 Κάτω προφυλακτικό λάμας Β	32 Αξονίσκος	61 Προβολή
5 Βίδα	33 Δακτύλιος	62 Αξονας μέγγενης
6 Εξάγωνο μπουλόνι	34 Μαχαίρι σχισίματος	63 Βάση
7 Λαβή	35 Περιοχή πιέσεως	64 Μέγγενη
8 Μοχλός	36 Εξάγωνα μπουλόνια	65 Δοκός διαστήματος
9 Ανω επιφάνεια περιστροφικής βάσης	37 Πλάτος λάμας	66 Προέκταση αλουμινίου
10 Περιφέρεια λάμας	38 Θήκη φράκτη σχισίματος	67 Μικρό κύρτωμα
11 Φράκτης οδηγός	39 Ράγα οδηγός στο άνω τραπέζι	68 Παράλληλη όψη/άκρη
12 Δείκτης	40 Βίδα σύσφιγξης (Α)	69 Ξυλόβιδα
13 Μοχλός ασφάλισης	41 Βίδα σύσφιγξης (Β)	70 Κολλήστε μαζί
14 Λαβή	42 Φράκτης σχισίματος	71 Τρύπα (7 χιλ σε διάμετρο)
15 Λοξή κλίμακα	43 Γραμμή ευθυγράμμισης	72 Ωστική ράβδος
16 Κωνική κλίμακα	44 Τεμάχιο εργασίας	73 Βοηθητικός φράκτης
17 Διακόπτης τροφοδοσίας	45 Τετράγωνο παξιμάδι	74 Ωστικό μπλοκ
18 Διακόπτης λάμπας	46 Ροδέλλα	75 Τριγωνικός κανόνας
19 Διακόπτης για λείζερ	47 Κλίμακα	76 0° κωνικής γωνίας ρυθμιστικό μπουλόνι
20 Λάμπα	48 Βίδα ρύθμισης	77 Ανω επιφάνεια περιστρεφόμενου τραπέζιού
21 Ανασταλτικός πείρος	49 Στόμιο σκόνης	78 Βραχίονας
22 Ανω τραπέζι	50 Σάκκος σκόνης	79 45° κωνικής γωνίας ρυθμιστικό μπουλόνι
23 Περιβλημα κινητήρα	51 Προσδετήρας	80 Κατσαβίδι
24 Κάλυμμα κέντρου	52 Ηλεκτρική σκούπα	81 Καπάκι θήκης ψήκτρας
25 Κοίλο κλειδί	53 Κάλυμμα λάμας	82 Κουμπί
26 Ασφάλεια άξονα	54 Υποστήριξη	
27 Λάμα πριονιού	55 Περιστροφική βάση	
28 Θήκη λάμας	56 Βοηθητικός φράκτης	
	57 Βραχίονας μέγγενης	

ΠΡΟΔΙΑΓΡΑΦΕΣ

Μοντέλο

LH1201FL

Διάμετρος λάμας 305 χιλ

Πάχος σώματος λάμας 1,9 χιλ ή λιγότερο

Διάμετρος τρύπας

Για όλες τις χώρες εκτός των Ευρωπαϊκών χωρών 25,4 χιλ

Για τις Ευρωπαϊκές χώρες 30 χιλ

Μεγ.ικανότητες κοπής (Υ x Π) με λάμα 305 χιλ διαμέτρου στη θέση λειτουργίας λοξού πριονιού.

Γωνία λοξότμησης	Κωνική γωνία	
	90°	45° (αριστερά προς δεξιά)
90°	95 χιλ x 155 χιλ	95 χιλ x 110 χιλ
	62 χιλ x 200 χιλ	62 χιλ x 135 χιλ
45°	64 χιλ x 155 χιλ	64 χιλ x 65 χιλ
	40 χιλ x 200 χιλ	40 χιλ x 85 χιλ

Μεγ.ικανότητες κοπής σε γωνία 90° στη θέση λειτουργίας επιτραπέζιου πριονιού (λειτουργία πριονιού πάγκου)..... 52 χιλ


Ταχύτητα χωρίς φορτίο (λεπ⁻¹) 3.800

Τύπος λείζερ.....Κόκκινο λείζερ 650 nm, < 1 mW (Τάξη λείζερ 2)

Μέγεθος τραπέζιου (Π x Μ).....307 χιλ x 465 χιλ

Διαστάσεις (Μ x Π x Υ)..... 610 χιλ x 535 χιλ x 692 χιλ

Βάρος καθαρό 20,9 Χγρ

Κατηγορία ασφάλειας.....  II

- Λόγω του συνεχιζόμενου προγράμματός έρευνας και ανάπτυξης, οι προδιαγραφές αυτές υπόκεινται σε αλλαγές χωρίς προειδοποίηση.
- Οι προδιαγραφές μπορεί να διαφέρουν από χώρα σε χώρα.
- Βάρος σύμφωνα με διαδικασία ΕΡΤΑ 01/2003

Προοριζόμενη χρήση

Το εργαλείο προορίζεται για ευθείες κοπές ακριβείας και (μόνο όταν χρησιμοποιείται ως λοξό πριόνι στο κάτω τραπέζι) λοξές κοπές σε ξύλο.

Ρευματοδότηση

Το μηχάνημα πρέπει να συνδέεται μόνο σε παροχή ρεύματος της ίδιας τάσης με αυτή που αναφέρεται στην πινακίδα κατασκευαστού και μπορεί να λειτουργήσει μόνο με εναλλασσόμενο μονοφασικό ρεύμα. Τα μηχανήματα αυτά έχουν διπλή μόνωση και κατά συνέπεια, μπορούν να συνδεθούν σε ακροδέκτες χωρίς σύρμα γείωσης.

Γενικές προειδοποιήσεις ασφαλείας για το ηλεκτρικό εργαλείο

⚠️ ΠΡΟΕΙΔΟΠΟΙΗΣΗ Διαβάστε όλες τις προειδοποιήσεις ασφαλείας και όλες τις οδηγίες. Η μη τήρηση των προειδοποιήσεων και οδηγιών ενδέχεται να καταλήξει σε ηλεκτροπληξία, πυρκαγιά ή/και σοβαρό τραυματισμό.

Φυλάξτε όλες τις προειδοποιήσεις και τις οδηγίες για μελλοντική παραπομπή.

ΠΡΟΕΙΔΟΠΟΙΗΣΕΙΣ ΑΣΦΑΛΕΙΑΣ ΓΙΑ ΤΟ ΕΠΙΤΡΑΠΕΖΙΟ ΛΟΞΟ ΠΡΙΟΝΙ

ΚΑΙ ΓΙΑ ΘΕΣΗ ΛΕΙΤΟΥΡΓΙΑΣ ΛΟΞΟΥ ΠΡΙΟΝΙΟΥ ΚΑΙ ΓΙΑ ΘΕΣΗ ΛΕΙΤΟΥΡΓΙΑΣ ΕΠΙΤΡΑΠΕΖΙΟΥ ΠΡΙΟΝΙΟΥ (ΠΡΙΟΝΙ ΠΑΓΚΟΥ)

1. Πριν από τη λειτουργία, να ελέγχετε προσεκτικά τη λάμα για ραγίσματα ή παραμόρφωση. Αντικαταστήστε αμέσως μια λάμα που έχει υποστεί ζημιά.
2. Μη θέτετε το πριόνι σε λειτουργία χωρίς τους προφυλακτήρες και το μαχαίρι σχισίματος στη θέση τους, ειδικά μετά από αλλαγή της θέσης λειτουργίας. Ελέγξτε τους προφυλακτήρες λάμας για κανονικό κλείσιμο πριν από κάθε χρήση. Μη λειτουργείτε το πριόνι εάν οι προφυλακτήρες λάμας δεν κινούνται ελεύθερα και κλείνουν στιγμιαία. Ποτέ μην σφίξετε ή δέσετε τους προφυλακτήρες λάμας στην ανοικτή θέση. Οποιαδήποτε αντικανονική λειτουργία των προφυλάκτρων λάμας πρέπει να διορθωθεί αμέσως.
3. Να χρησιμοποιείτε μόνο τις λάμες που καθορίζει ο κατασκευαστής και που συμμορφώνονται με το EN847-1. Το πλάτος αυλάκωσης της κοπής πρέπει να είναι μεγαλύτερο από το μαχαίρι σχισίματος και το σώμα λάμας πρέπει να είναι μικρότερο από το μαχαίρι σχισίματος.
4. Μη χρησιμοποιείτε λάμες πριονιού κατασκευασμένες από ασάβλι υψηλής ταχύτητας.
5. Να φοράτε προστασία ματιών.
6. Να φοράτε προστατευτικά αυτιών για να μειώσετε τον κίνδυνο της απώλειας ακοής.
7. Να φοράτε γάντια για το χειρισμό των λαμών (οι λάμες θα πρέπει να μεταφέρονται σε υποδοχή όποτε αυτό είναι πρακτικά εφικτό) και σκληρών υλικών.
8. Συνδέστε το εργαλείο σε μιά συσκευή συλλογής σκόνης όταν πριονίζετε.

9. Πάντοτε αποθηκεύετε την ωστική ράβδο όταν δεν είναι σε χρήση.
10. Διατηρείτε την περιοχή του πατώματος γύρω από το εργαλείο επίπεδη, σε καλή κατάσταση και ελεύθερη από άχρηστα υλικά π.χ. τεμαχίδια και αποκοπίδια.
11. Ο χειριστής πρέπει να είναι καλά εκπαιδευμένος στην χρήση, ρύθμιση και λειτουργία του εργαλείου.
12. Διακόψτε τη λειτουργία του πριονιού και βγάλτε το από την πρίζα όταν δεν επιβλέπεται.
13. Για να μειώσετε τον προκαλούμενο θόρυβο, πάντοτε να βεβαιώνετε ότι η λάμα είναι αιχμηρή και καθαρή.
14. Να χρησιμοποιείτε μόνο λάμες που είναι επισημασμένες με μέγιστη ταχύτητα ίση με ή υψηλότερη από την ταχύτητα χωρίς φορτίο που είναι επισημασμένη στο εργαλείο.
15. Όταν το εργαλείο είναι εφοδιασμένο με λείζερ ή LED, μην αντικαθιστάτε το λείζερ ή το LED με άλλο διαφορετικού τύπου. Απευθυνθείτε σε εξουσιοδοτημένο κέντρο σέρβις για επισκευή.
16. Μην αφαιρείτε ποτέ οποιαδήποτε κομμένα κομμάτια ή άλλα μέρη του τεμαχίου εργασίας από την περιοχή κοπής ενώ το εργαλείο βρίσκεται σε λειτουργία με απροστάτευτη λάμα.
17. Το εργαλείο δεν πρέπει να χρησιμοποιείται για εγκοπές, λοξές εντομές ή αυλακώσεις.
18. Πριν μεταφέρετε το εργαλείο, να καλύπτετε πάντα το άνω τμήμα της λάμας με τον άνω προφυλακτήρα και να ασφαλίσετε όλα τα κινούμενα μέρη. Όταν ανυψώνετε ή μεταφέρετε το εργαλείο, μην χρησιμοποιείτε τον προφυλακτήρα ως χερούλι μεταφοράς.
19. Καθαρίστε και προσέχετε να μη κάνετε ζημιά στον αξονίσκο, φλάντζες (ειδικά στην επιφάνεια τοποθέτησης) και στο εξάγωνο μπουλόνι πριν ή κατά την τοποθέτηση της λάμας. Ζημιά στα μέρη αυτά μπορεί να προκαλέσει σπάσιμο της λάμας. Κακή τοποθέτηση μπορεί να προκαλέσει κραδασμούς/μη επίπεδη περιστροφή ή γλίστρημα της λάμας. Χρησιμοποιείτε μόνο τις ενδεδειγμένες φλάντζες για το εργαλείο αυτό.
20. Πάντοτε χρησιμοποιείτε ανταλλακτικά συνιστώμενα στο εγχειρίδιο αυτό. Χρήση ακατάλληλων ανταλλακτικών όπως λειαντικών τροχών αποκοπής μπορεί να προκαλέσει τραυματισμό.
21. Επιλέξτε την σωστή λάμα πριονιού για το υλικό που θα κόψετε.
22. Μην κόβετε μεταλλικά αντικείμενα όπως καρφιά και βίδες. Ελέγχετε και αφαιρείτε όλα τα καρφιά, βίδες και άλλα ξένα υλικά από το τεμάχιο εργασίας πριν από την λειτουργία.
23. Βγάξτε οτιδήποτε περιπτώς κόμπους από το τεμάχιο εργασίας ΠΡΙΝ αρχίσετε να κόβετε.
24. Μη χρησιμοποιείτε το εργαλείο όπου υπάρχουν εύφλεκτα υγρά ή αέρια.
25. Για την ασφάλειά σας, αφαιρέστε τα τεμαχίδια, κλπ. από την περιοχή εργασίας και επιφάνεια του τραπεζιού πριν συνδέσετε το εργαλείο στο ρεύμα και αρχίστε την λειτουργία.

26. Κρατάτε τα χέρια σας και την θέση των διπλανών σας και την δική σας έξω από την τροχιά και όχι στην ίδια γραμμή με την λάμα πριονιού. Αποφύγετε επαφή με οποιαδήποτε στρεφόμενη λάμα. Μπορεί να προκαλέσει σοβαρό τραυματισμό και ποτε μην πλησιάζετε γύρω στην λάμα πριονιού.
27. Να είστε σε ετοιμότητα πάντοτε, ιδιαίτερα κατά την διάρκεια επαναληπτικών, μονότονων λειτουργιών. Μη παρασύρεστε από μία ψευδή αίσθηση ασφάλειας. Οι λάμες είναι αδυσώπητες.
28. Βεβαιωθείτε ότι η ασφάλεια άξονα έχει ελευθερωθεί πριν ανάψετε τον διακόπτη.
29. Πριν χρησιμοποιήσετε το εργαλείο σε ένα πραγματικό τεμάχιο εργασίας, αφήστε το να λειτουργήσει για λίγο. Ελέγξτε να δονήσεις ή περιστροφή με πλάγιες μετατοπίσεις που δείχνουν κακή τοποθέτηση ή κακή ισορροπία λάμας.
30. Περιμένετε μέχρι η λάμα να αποκτήσει πλήρη ταχύτητα πριν κόψετε.
31. Σταματήστε την λειτουργία αμέσως εάν παρατηρήσετε κάτι αντικανονικό.
32. Σβήστε το εργαλείο και περιμένετε να σταματήσει η λάμα πριν μετακινήσετε το τεμάχιο εργασίας ή αλλάξετε ρυθμίσεις.
33. Αποσυνδέστε το εργαλείο πριν αλλάξετε λάμα, κάνετε συντήρηση ή δεν το χρησιμοποιείτε.
34. Σκόνη προερχόμενη από την λειτουργία περιέχει χημικά γνωστά ότι προκαλούν καρκίνο, ελαττωματικές γεννήσεις ή άλλες γεννητικές βλάβες. Μερικά παραδείγματα αυτών των χημικών είναι:
 - μόλυβδος από υλικά χρωματισμένα με χρώματα περιέχοντα μόλυβδο και
 - αρσενικό και χρώμιο από χημικά επεξεργασμένη ξυλεία.
 Ο κίνδυνος από τις εκθέσεις αυτές είναι διαφορετικός, εξαρτώμενος από το πόσο συχνά κάνετε αυτόν τον τύπο της εργασίας. Για να μειώσετε την έκθεση σας στα χημικά αυτά: εργάζεστε σε καλά αεριζόμενη περιοχή εργασίας και εργάζεστε με εγκεκριμένα εκδόδια προστασίας, όπως είναι οι προσωπίδες σκόνης που είναι ειδικά σχεδιασμένες να φιλτράρουν μικροσκοπικά σωματίδια.
35. Ακόμη και όταν το εργαλείο χρησιμοποιείται όπως περιγράφεται, δεν είναι δυνατό να εξαλειφθούν όλοι οι παράγοντες υπολειπόμενων κινδύνων. Οι ακόλουθοι κίνδυνοι μπορούν να προκύψουν σε συνδυασμό με την κατασκευή και σχεδιασμό του εργαλείου:
 - Ζημιά στην υγεία ως αποτέλεσμα κραδασμών χεριού-βραχίονα στην περίπτωση που το ηλεκτρικό εργαλείο χρησιμοποιείται για μεγάλη χρονική περίοδο και δεν λειτουργεί ή συντηρείται σωστά.
 - Τραυματισμός ή ζημιά που προκαλείται από χαλαρά προσαρτήματα εργαλείου τα οποία μπορούν να ολισθήσουν αναπάντεχα από το ηλεκτρικό εργαλείο εξαιτίας ξαφνικής ζημιάς, φθοράς ή λανθασμένης προσάρτησης.

ΟΤΑΝ ΤΟ ΧΡΗΣΙΜΟΠΟΙΕΙΤΕ ΣΕ ΛΕΙΤΟΥΡΓΙΑ ΛΟΞΟΥ ΠΡΙΟΝΙΟΥ:

36. Αντικαταστήστε την σανίδα εγκοπής όταν φθαρεί.
37. Χρησιμοποιείστε μία ωστική ράβδο ή ωστική δοκό για να αποφύγετε την εργασία με τα χέρια και τα δάκτυλα κοντά στην λάμα πριονιού.
38. Βεβαιωθείτε ότι ο βραχίονας είναι σταθεροποιημένος με ασφάλεια όταν κάνετε κωνική τομή. Σφίχτε τον μοχλό δεξιόστροφα να σταθεροποιήσετε τον βραχίονα.
39. Μην εκτελείτε καμιά λειτουργία στο χέρι. Το τεμάχιο εργασίας πρέπει να ασφαλιστεί σταθερά στην περιστροφική βάση και στον οδηγό φράκτη με τη μέγγνη κατά τη διάρκεια όλων των εργασιών. Μη χρησιμοποιείτε ποτέ το χέρι σας για να στερεώσετε το τεμάχιο εργασίας.
40. Βεβαιωθείτε ότι το εργαλείο είναι σταθερό πριν από κάθε κοπή.
41. Στερεώστε το εργαλείο σε πάγκο, εάν απαιτείται.
42. Στηρίξτε τα μακριά τεμάχια εργασίας με κατάλληλες επιπρόσθετες στηρίξεις.
43. Μην κόβετε το τεμάχιο εργασίας τόσο μικρό που να μην μπορεί να συγκρατηθεί στη μέγγνη με ασφάλεια. Ένα τεμάχιο εργασίας που συγκρατείται λανθασμένα μπορεί να προκαλέσει κλότσημα και σοβαρό προσωπικό τραυματισμό.
44. Μη χρησιμοποιείτε το πριόνι να κόψετε άλλα εκτός από ξύλο, αλουμίνιο, ή παρόμοια υλικά.
45. Βεβαιωθείτε ότι η περιστροφική βάση είναι κατάλληλα ασφαλισμένη έτσι ώστε δεν θα μετακινήθει κατά την λειτουργία.
46. Βεβαιωθείτε ότι η λαβή δεν κάνει επαφή με την περιστροφική βάση στην κατώτερη θέση και δεν κάνει επαφή με το τεμάχιο εργασίας πριν ο διακόπτης ανάψει.
47. Κρατάτε την λαβή σταθερά. Εχετε υπόψη σας ότι το πριόνι κινείται ελαφρά επάνω ή κάτω κατά την εκκίνηση και το σταμάτημα.

ΟΤΑΝ ΤΟ ΧΡΗΣΙΜΟΠΟΙΕΙΤΕ ΣΤΗΝ ΛΕΙΤΟΥΡΓΙΑ ΕΠΙΤΡΑΠΕΖΙΟΥ ΠΡΙΟΝΙΟΥ (ΠΡΙΟΝΙ ΠΑΓΚΟΥ):

48. Βεβαιωθείτε ότι ο βραχίονας είναι στερεωμένος με ασφάλεια στην θέση εργασίας. Σφίχτε τον μοχλό δεξιόστροφα για να στερεώσετε τον βραχίονα.
49. Βεβαιωθείτε ότι το τραπέζι πριονιού πάγκου είναι στερεωμένο με ασφάλεια στο επιλεγμένο ύψος.
50. Μην εκτελείτε καμιά λειτουργία στο χέρι. Η φράση "στο χέρι" σημαίνει να χρησιμοποιείτε τα χέρια σας για να υποστηρίξετε ή να οδηγήσετε το τεμάχιο εργασίας αντί για ένα φράκτη σχισίματος.
51. Βεβαιωθείτε ότι η λάμα δεν κάνει επαφή με το μαχαίρι σχισίματος ή το τεμάχιο εργασίας πριν ανάψετε τον διακόπτη.

52. Δώστε ιδιαίτερη προσοχή στις οδηγίες για την μείωση του κινδύνου ΟΠΙΣΘΟΛΑΚΤΙΣΜΑΤΟΣ. ΟΠΙΣΘΟΛΑΚΤΙΣΜΑ είναι μία ξαφνική αντίδραση μιάς πιασμένης, μαγκωμένης ή άσχημα ευθυγραμμισμένης λάμας πριονιού. Το ΟΠΙΣΘΟΛΑΚΤΙΣΜΑ προκαλεί πέταγμα του τεμαχίου εργασίας από το εργαλείο πίσω προς τον χειριστή. ΟΠΙΣΘΟΛΑΚΤΙΣΜΑΤΑ ΜΠΟΡΕΙ ΝΑ ΟΔΗΓΗΣΟΥΝ ΣΕ ΣΟΒΑΡΟ ΠΡΟΣΩΠΙΚΟ ΤΡΑΥΜΑΤΙΣΜΟ. Αποφύγετε τα ΟΠΙΣΘΟΛΑΚΤΙΣΜΑΤΑ διατηρώντας την λάμα αιχμηρή, κρατώντας τον φράκτι σχίσματος παράλληλο στην λάμα, κρατώντας το μαχαίρι σχίσματος και τον προφυλακτήρα λάμας στη θέση τους και σε κανονική λειτουργία, μην αφήνοντας το τεμάχιο εργασίας μέχρι να έχει σπρωχθεί εντελώς μετά την λάμα, και μη σχίζοντας ένα τεμάχιο εργασίας που είναι στριμμένο ή τυλιγμένο ή δεν έχει μιά ίσια άκρη για οδηγό κατά μήκος του φράκτι.
53. Αποφύγετε απότομη, γρήγορη τροφοδοσία. Τροφοδοτείτε όσο πιο αργά είναι δυνατόν όταν κόβετε σκληρά τεμάχια εργασίας. Μη λυγίζετε ή στρίβετε το τεμάχιο εργασίας κατά την τροφοδοσία. Εάν σταματήσει ή μπλοκάρει η λάμα στο τεμάχιο εργασίας, σβήστε το εργαλείο αμέσως. Αποσυνδέστε το εργαλείο. Μετά αποκαταστείτε την εμπλοκή.

ΦΥΛΑΞΤΕ ΤΙΣ ΟΔΗΓΙΕΣ ΑΥΤΕΣ.

⚠️ ΠΡΟΕΙΔΟΠΟΙΗΣΗ:

ΜΗΝ επιτρέψετε στην άνεση ή στην εξοικειωσή σας με το προϊόν (που αποκτήθηκε από επανειλημμένη χρήση) να αντικαταστήσει την αυστηρή τήρηση των κανόνων ασφαλείας του παρόντος εργαλείου. ΚΑΚΗ ΧΡΗΣΗ ή αμέλεια να ακολουθήσετε τους κανόνες ασφαλείας που διατυπώνονται σ' αυτό το εγχειρίδιο οδηγιών μπορεί να προκαλέσει σοβαρό προσωπικό τραυματισμό.

ΕΓΚΑΤΑΣΤΑΣΗ

⚠️ ΠΡΟΣΟΧΗ:

- Διατηρείτε την περιοχή πατώματος γύρω στο εργαλείο επίπεδη καθαρή και χωρίς άχρηστα υλικά όπως τεμαχίδια και αποκοπίδια.

Τποθέτηση σε πάγκο (Εικ. 1)

Αυτό το εργαλείο πρέπει να στερεώνεται με δύο μπουλόνια σε μία επίπεδη και σταθερή επιφάνεια χρησιμοποιώντας τις ρύτρες μπουλονιών στην βάση του εργαλείου. Αυτό βοηθάει στην αποφυγή ανατροπής και πιθανού τραυματισμού.

ΠΕΡΙΓΡΑΦΗ ΛΕΙΤΟΥΡΓΙΑΣ

⚠️ ΠΡΟΣΟΧΗ:

- Πάντοτε βεβαιωθείτε ότι το εργαλείο είναι σβηστό και αποσυνδεδεμένο πριν ρυθμίσετε ή ελέγξετε κάποια λειτουργία στο εργαλείο.

Προφυλακτήρας λάμας (Εικ. 2 και 3)

⚠️ ΠΡΟΣΟΧΗ:

- Βεβαιωθείτε ότι η λαβή δεν μπορεί να κατέβει χωρίς να σπρώξετε τον μοχλό κοντά στην λαβή στα αριστερά.
- Βεβαιωθείτε ότι οι κάτω προφυλακτήρες της λάμας Α και Β δεν ανοίγουν εκτός εάν ο μοχλός κοντά στην λαβή σπρωχθεί στην υψηλότερη θέση της λαβής.

Όταν χαμηλώνετε την λαβή ενώ σπρώχνετε τον μοχλό στα αριστερά, ο προφυλακτήρας Α της κάτω λάμας σηκώνεται αυτόματα. Οι προφυλακτήρες της κάτω λάμας έχουν ελατήρια και έτσι επιστρέφουν στην αρχική τους θέση όταν η κοπή ολοκληρωθεί και η λαβή σηκωθεί. Ο προφυλακτήρας της άνω λάμας πρέπει επίσης στην άνω επιφάνεια αφού το τεμάχιο εργασίας περάσει από κάτω του. ΠΟΤΕ ΜΗΝ ΕΞΟΥΔΕΤΕΡΩΣΕΤΕ Η ΑΦΑΙΡΕΣΕΤΕ ΤΟΥΣ ΠΡΟΦΥΛΑΚΤΗΡΕΣ ΤΗΣ ΚΑΤΩ ΛΑΜΑΣ, ΤΟ ΕΛΑΤΗΡΙΟ ΠΟΥ ΠΡΟΣΑΡΜΟΖΕΤΑΙ ΣΤΟΝ ΠΡΟΦΥΛΑΚΤΗΡΑ ΤΗΣ ΚΑΤΩ ΛΑΜΑΣ, Η ΤΟΝ ΠΡΟΦΥΛΑΚΤΗΡΑ ΤΗΣ ΑΝΩ ΛΑΜΑΣ.

Για το καλό της προσωπικής σας ασφάλειας, πάντοτε διατηρείτε κάθε προφυλακτήρα λάμας σε καλή κατάσταση. Οποιαδήποτε μη κανονική λειτουργία των προφυλακτρίων πρέπει να διορθώνεται αμέσως. Ελέγξτε για να βεβαιωθείτε για την λειτουργία επαναφοράς των ελατηρίων των προφυλακτρίων των κάτω λαμών. ΠΟΤΕ ΜΗ ΧΡΗΣΙΜΟΠΟΙΗΣΕΤΕ ΤΟ ΕΡΓΑΛΕΙΟ ΕΑΝ Ο ΠΡΟΦΥΛΑΚΤΗΡΑΣ ΤΗΣ ΚΑΤΩ ΛΑΜΑΣ, ΤΟ ΕΛΑΤΗΡΙΟ Η Ο ΠΡΟΦΥΛΑΚΤΗΡΑΣ ΤΗΣ ΑΝΩ ΛΑΜΑΣ ΕΧΟΥΝ ΖΗΜΙΑ, ΒΛΑΒΗ Η ΕΧΟΥΝ ΑΦΑΙΡΕΘΕΙ. ΕΑΝ ΤΟ ΠΡΑΞΕΤΕ ΕΙΝΑΙ ΠΟΛΥ ΕΠΙΚΙΝΔΥΝΟ ΚΑΙ ΜΠΟΡΕΙ ΝΑ ΠΡΟΚΑΛΕΣΕΙ ΣΟΒΑΡΟ ΠΡΟΣΩΠΙΚΟ ΤΡΑΥΜΑΤΙΣΜΟ.

Εάν κάποιος από τους διαφανείς προφυλακτήρες λάμας ρυπανθεί, ή πριονόσκονη κολλήσει πάνω του με τέτοιο τρόπο που η λάμα δεν είναι πλέον ορατή, αποσυνδέστε το πριόνι και καθαρίστε τους προφυλακτρίες προσεκτικά με ένα υγρό ύφασμα. Μη χρησιμοποιήσετε διαλύτες ή απορρυπαντικά με βάση το πετρέλαιο για τους πλαστικούς προφυλακτρίες.

Εάν ο προφυλακτήρας Α της κάτω λάμας έχει ιδιαίτερα ρυπανθεί και η θέαση μέσω του προφυλακτρίρα είναι μειωμένη, προχωρήστε ως εξής. Στερεώστε το τραπέζι κορυφής στην πλήρως υψωμένη θέση, σηκώστε την λαβή εντελώς, σπρώχτε μέσα πλήρως τον ανασταλτικό τεύρο με την λαβή εντελώς υψωμένη και χρησιμοποιήστε το παρεχόμενο κοίλο κλειδί να χαλαρώσετε το εξάγωνο μπουλόνι που συγκρατεί το κάλυμμα κέντρου. Χαλαρώστε το εξάγωνο μπουλόνι στρίβοντας το αριστερόστροφα και σηκώστε τον προφυλακτήρα Α της κάτω λάμας και το κάλυμμα κέντρου ενώ σπρώχνετε τον μοχλό στα αριστερά. Με τον προφυλακτήρα Α της κάτω λάμας στη θέση αυτή, το καθαρίσμα μπορεί να γίνει καλύτερα και επαρκέστερα. Όταν το καθαρίσμα ολοκληρωθεί, αντιστρέψτε την παραπάνω διαδικασία και ασφαλίστε το μπουλόνι.

Στην ίδια περίπτωση για τον προφυλακτήρα της λάμας κορυφής όπως περιγράφηκε παραπάνω, χαλαρώστε την βίδα που τον κρατάει με ένα κατσαβίδι και αφαιρέστε τον προφυλακτήρα της λάμας κορυφής. Μετά το καθαρίσμα, πάντοτε επανατοποθετείτε τον με ασφάλεια σφίγγοντας την βίδα τόσο όσο ο προφυλακτήρας της λάμας κορυφής να κινείται απαλά επάνω και κάτω.

Εάν κάποιος από τους προφυλακτρίες αυτούς αποχρωματισθεί από τον χρόνο ή από έκθεση σε υπερυπόδη ακτινοβολία, αποτανθείτε σε ένα κέντρο εξυπηρέτησης της Makita για ένα νέο προφυλακτήρα. ΜΗΝ ΕΞΟΥΔΕΤΕΡΩΣΕΤΕ Η ΑΦΑΙΡΕΣΕΤΕ ΤΟΥΣ ΠΡΟΦΥΛΑΚΤΗΡΕΣ.

Διατήρηση μέγιστης ικανότητας κοπής (Εικ. 4)

Αυτό το εργαλείο είναι εργοστασιακά ρυθμισμένο να παρέχει την μέγιστη ικανότητα κοπής για μιά λάμα 305 χιλ.

⚠️ ΠΡΟΣΟΧΗ:

- Μετά την εγκατάσταση μιάς νέας λάμας, πάντοτε βεβαιώνετε ότι η λάμα δεν κάνει επαφή με κανένα μέρος της κάτω βάσης όταν η λαβή είναι εντελώς κατεβασμένη. Πάντοτε εκτελείτε αυτό με το εργαλείο αποσυνδεδεμένο.

Ρύθμιση της λοξής γωνίας (Εικ. 5)

Χαλαρώστε την λαβή στρίβοντας την αριστερόστροφα. Γυρίστε την περιστροφική βάση ενώ πιέζετε προς τα κάτω τον μοχλό κλειώματος. Όταν έχετε μετακινήσει την λαβή στην θέση που ο δείκτης δείχνει την επιθυμητή γωνία στην λοξή κλίμακα, σφίχτε με ασφάλεια την λαβή δεξιόστροφα.

⚠️ ΠΡΟΣΟΧΗ:

- Όταν στρέφεται την περιστροφική βάση, βεβαιώνετε ότι σηκώνετε την λαβή πλήρως.
- Αφού αλλάξετε την λοξή γωνία, πάντοτε ασφαλίστε την περιστροφική βάση σφίγγοντας την λαβή σταθερά.

Ρύθμιση της κωνικής γωνίας (Εικ. 6 και 7)

Για να ρυθμίσετε την κωνική γωνία, χαλαρώστε τον μοχλό στο πίσω μέρος του εργαλείου αριστερόστροφα. Σπρώχτε την λαβή στα αριστερά, να δώσετε κλίση στην λάμα πριονιού μέχρι ο δείκτης δείχνει την επιθυμητή γωνία στην κωνική κλίμακα. Μετά σφίχτε τον μοχλό σταθερά δεξιόστροφα να ασφαλίσετε τον βραχίονα.

⚠️ ΠΡΟΣΟΧΗ:

- Όταν δίνετε κλίση στην λάμα πριονιού, βεβαιώνετε ότι σηκώνετε την λαβή πλήρως.
- Αφού αλλάξετε την κωνική γωνία, πάντοτε ασφαλίστε την περιστροφική βάση σφίγγοντας την λαβή σταθερά.

Δράση διακόπτη (Εικ. 8)

⚠️ ΠΡΟΣΟΧΗ:

- Πριν από την λειτουργία, βεβαιωθείτε ότι το εργαλείο ανάβει και σβήνει.

Για να ξεκινήσετε το εργαλείο, πατήστε το κουμπί ON (I). Για να σταματήσετε το εργαλείο, πατήστε το κουμπί OFF (O).

Αναμμα των λαμπών (Εικ. 9)

Σπρώχτε την πάνω θέση του διακόπτη για να ανάψετε το φως και την κάτω θέση για να το σβήσετε.

⚠️ ΠΡΟΣΟΧΗ:

- Μη κυττάξετε το φως ή βλέπετε την πηγή φωτός απευθείας.

ΣΗΜΕΙΩΣΗ:

- Χρησιμοποιήστε ένα στεγνό ύφασμα να σκουπίσετε τους ρύπους από τους φακούς της λάμπας. Προσέχετε να μη γρατσουνίσετε τους φακούς του φωτός γιατί θα ελαττωθεί ο φωτισμός.

Ενέργεια ακτίνας λέιζερ (Εικ. 10)

⚠️ ΠΡΟΣΟΧΗ:

- ΑΚΤΙΝΟΒΟΛΙΑ ΛΕΙΖΕΡ

Μην κοιτάτε μέσα στη δέσμη.

Για να ανάψετε την ακτίνα λέιζερ, πατήστε την άνω θέση (I) του διακόπτη. Για να σβήσετε τη δέσμη λέιζερ, πιέστε την κάτω θέση (O) του διακόπτη.

Ρύθμιση του ύψους του άνω τραπέζιου (Εικ. 11)

Για να ρυθμίσετε το ύψος του άνω τραπέζιου, χαλαρώστε τους δύο μοχλούς περιστρέφοντάς τους αριστερόστροφα και μετά περιστρέψτε το κουμπί. Για να σηκώσετε το άνω τραπέζι, περιστρέψτε το κουμπί δεξιόστροφα. Για να χαμηλώσετε το άνω τραπέζι, περιστρέψτε το κουμπί αριστερόστροφα. Σφίξτε αυτούς τους μοχλούς σταθερά μετά τη ρύθμιση.

⚠️ ΠΡΟΕΙΔΟΠΟΙΗΣΗ:

- Τοποθετήστε το άνω τραπέζι στην ανώτερη θέση όταν χρησιμοποιείτε το εργαλείο σε θέση λειτουργίας λούζου πριονιού και στην επιθυμητή θέση όταν το χρησιμοποιείτε σε θέση λειτουργίας επιτραπέζιου πριονιού (λειτουργία πάγκου).

ΣΥΝΟΛΟ

⚠️ ΠΡΟΣΟΧΗ:

- Πάντοτε βεβαιώνετε ότι το εργαλείο είναι σβηστό και αποσυνδεδεμένο πριν εκτελέσετε οποιαδήποτε εργασία στο εργαλείο.

Τοποθέτηση ή αφαίρεση της λάμας πριονιού

⚠️ ΠΡΟΣΟΧΗ:

- Πάντοτε βεβαιώνετε ότι το εργαλείο είναι σβηστό και αποσυνδεδεμένο πριν τοποθετήσετε ή αφαιρέσετε την λάμα.
- Χρησιμοποιείτε μόνο το παρεχόμενο κοίλο κλειδί Makita για να τοποθετήσετε ή αφαιρέσετε την λάμα. Διαφορετικά μπορεί να προκληθεί υπερβολικό ή ανεπαρκές σφίξιμο του εξάγωνου μπουλονιού. Πράγμα που μπορεί να προκαλέσει τραυματισμό.

Ασφαλίστε το πάνω τραπέζι στην υψηλότερη δυνατή θέση.

Κλειδώστε την λαβή στην ανασηκωμένη θέση σπρώχνοντας μέσα τον ανασταλτικό πέιρο. **(Εικ. 12)** Μετά χρησιμοποιήστε το κοίλο κλειδί να χαλαρώσετε το εξάγωνο μπουλόνι που συγκρατεί το κάλυμμα κέντρου γυρίζοντάς το αριστερόστροφα. Σηκώστε τον προφυλακτήρα Α της κάτω λάμας και το κάλυμμα κέντρου ενώ σπρώχνετε τον μοχλό κοντά στην λαβή στα αριστερά. **(Εικ. 13 και 14)**

Πατήστε την ασφάλιση άξονα για να κλειδώσετε τον αξονίσκο και χρησιμοποιήστε το κοίλο κλειδί για να χαλαρώσετε το εξάγωνο μπουλόνι δεξιόστροφα. Μετά αφαιρέστε το εξάγωνο μπουλόνι, εξωτερική φλάντζα και λάμα. **(Εικ. 15)**

Για να τοποθετήσετε την λάμα, βάλτε την προσεκτικά πάνω στον αξονίσκο, κάνοντας βέβαιο ότι η διέθυνση του βέλους στην επιφάνεια της λάμας συμπίπτει με την διέθυνση του βέλους στην θήκη της λάμας. Τοποθετήστε την εξωτερική φλάντζα και εξάγωνο μπουλόνι και μετά χρησιμοποιήστε το κοίλο κλειδί να σφίξετε το εξάγωνο μπουλόνι (αριστερόχειρο) με ασφάλεια αριστερόστροφα ενώ πιέζετε την ασφάλεια άξονα. **(Εικ. 16 και 17)**

⚠️ ΠΡΟΣΟΧΗ:

- Ο δακτύλιος 25,4 mm ή 30 mm εξωτερικής διαμέτρου είναι εργοστασιακά τοποθετημένος στον αξονίσκο. Πριν τοποθετήσετε την λάμα επί του αξονίσκου, πάντοτε βεβαιώνετε ότι ο σωστός δακτύλιος για την τρύπα ατράκτου της λάμας που προτίθεστε να χρησιμοποιήσετε είναι τοποθετημένος πάνω στον αξονίσκο. **(Εικ. 18)**

Επαναφέρετε τον προφυλακτήρα Α της κάτω λάμας και κάλυμμα κέντρου στην αρχική του θέση. Μετά σφίχτε το εξάγωνο μπουλόνι δεξιόστροφα για να ασφαλίσετε το κάλυμμα κέντρου. Σηκώστε το προφυλακτικό λάμας Β όσο μπορεί να πάει και σφίχτε την βίδα σύσφιξης σταθερά ενώ τον κρατάτε στην υψωμένη θέση. Χαμηλώστε την λαβή να βεβαιωθείτε ότι οι προφυλακτικές της κάτω λάμας κινούνται κανονικά. Βεβαιωθείτε ότι το κλειδίωμα του άξονα έχει ελευθερωθεί τον αξονίσκο πριν κάνετε την κοπή.

Ρυθμίση μαχαιριού σχισίματος

Πριν ρυθμίσετε το μαχαιρί σχισίματος, χαλαρώστε τους δύο μοχλούς περιστρέφοντας τους αριστερόστροφα και μετακινήστε το άνω τραπέζι στη χαμηλότερη θέση του περιστρέφοντας το κουμπί αριστερόστροφα. Μετά ασφαλίστε το τραπέζι κορυφής ξανασφίγγοντας σταθερά τους δύο μοχλούς που φαίνονται στην εικόνα. **(Εικ. 19)** Πρέπει να υπάρχει μία απόσταση περίπου 4–5 χιλ μεταξύ του μαχαιριού σχισίματος και των δοντιών λάμας. Ρυθμίστε το μαχαιρί σχισίματος ανάλογα, χαλαρώνοντας τα δύο εξάγωνα μπουλόνια αριστερόστροφα με το εξάγωνο κούλο κλειδί και μετρώντας την απόσταση. Σφίξτε τα εξάγωνα μπουλόνια με ασφάλεια και μετά ελέγξτε να δείτε ότι ο προφυλακτήρας της πάνω λάμας λειτουργεί ομαλά πριν από την κοπή. **(Εικ. 20)**

Το μαχαιρί σχισίματος έχει τοποθετηθεί από το εργοστάσιο, πριν την αποστολή, έτσι ώστε η λάμα και το μαχαιρί σχισίματος να είναι σε ευθεία γραμμή. **(Εικ. 21)**

⚠️ ΠΡΟΣΟΧΗ:

- Εάν η λάμα και το μαχαιρί σχισίματος δεν είναι ευθυγραμμισμένα κανονικά, μία επικίνδυνη κατάσταση πιασίματος μπορεί να προκληθεί κατά την λειτουργία. Φροντίστε ώστε το μαχαιρί σχισίματος να είναι τοποθετημένο μεταξύ των δύο εξωτερικών άκρων των δοντιών της λάμας όταν κοιτάξετε από πάνω. Μπορεί να υποστείτε σοβαρό προσωπικό τραυματισμό εάν χρησιμοποιήσετε το εργαλείο χωρίς ένα κατάλληλα ευθυγραμμισμένο μαχαιρί σχισίματος. Εάν για οποιοδήποτε λόγο δεν είναι ευθυγραμμισμένα, πάντοτε αποτινάξτε σε εξουσιοδοτημένο κέντρο Makita για την επιδιόρθωση.
- Μην αφαιρέσετε το μαχαιρί σχισίματος.

Τοποθέτηση και ρύθμιση φράκτη σχισίματος

1. Τοποθετήστε τον φράκτη σχισίματος στο τραπέζι έτσι ώστε η θήκη του φράκτη σχισίματος εμπλέκεται με την άνω οδηγό. Σφίχτε την βίδα σύσφιγξης (B) του φράκτη σχισίματος σταθερά δεξιόστροφα.
2. Χαλάρωμα της βίδα σύσφιγξης (A).
3. Σύρτε τον φράκτη σχισίματος και στερεώστε τον έτσι ώστε το άκρο του φράκτη σχισίματος που βρίσκεται μακριά σας ευθυγραμμίζεται με το σημείο στο οποίο η εμπρόσθια άκρη της λάμας πριονιού μόλις εμφανίζεται από την άνω επιφάνεια του τεμαχίου εργασίας. Ο σκοπός αυτής της ρύθμισης είναι να μειώσει τον κίνδυνο οπισθολακτίσματος προς τον χειριστή όπου το κομμένο τεμάχιο από το τεμάχιο εργασίας πάνεται μεταξύ της λάμας πριονιού και του φράκτη σχισίματος και τελικά εξωθείται προς τον χειριστή. Η γραμμή 3 διαφέρει ως προς το πάχος του τεμαχίου εργασίας ή το επίπεδο του τραπέζιού. Ρυθμίστε την θέση του φράκτη σχισίματος ανάλογα με το πάχος του τεμαχίου εργασίας. Μετά την ρύθμιση του φράκτη σχισίματος, σφίχτε την βίδα σύσφιγξης (A) σταθερά. **(Εικ. 22 και 23)**

ΣΗΜΕΙΩΣΗ:

- Ο φράκτης σχισίματος πρέπει να τοποθετηθεί στην αριστερή πλευρά της λάμας πριονιού όταν βρίσκεται σε λειτουργία λοξού πριονιού. **(Εικ. 24)**

ΣΗΜΕΙΩΣΗ:

- Υπάρχουν τέσσερις τρόποι να τοποθετηθεί ο φράκτης σχισίματος όπως φαίνεται στην εικόνα. **(Εικ. 25)** Ο φράκτης σχισίματος έχει δύο σχισιές στις πλευρές του, μία σχισιή με μία παρυφή κοντά στην ίδια πλευρά και μία χωρίς. Χρησιμοποιήστε την επιφάνεια του φράκτη σχισίματος με αυτήν την παρυφή να βλέπει το τεμάχιο εργασίας μόνο όταν κόβετε σε ένα μέρος ενός λεπτού τεμαχίου εργασίας.

ΣΗΜΕΙΩΣΗ:

- Για να αλλάξετε το σχέδιο του φράκτη σχισίματος, αφαιρέστε τον φράκτη σχισίματος από την θήκη του φράκτη σχισίματος χαλαρώνοντας την βίδα σύσφιγξης (A) και αλλάξτε την διεύθυνση του φράκτη σχισίματος στην διεύθυνση της θήκης φράκτη σχισίματος έτσι ώστε ο φράκτης σχισίματος βλέπει την θήκη του φράκτη σχισίματος σύμφωνα με την εργασία σας όπως φαίνεται στην εικόνα. Βάλτε το τετράγωνο παξιμάδι στη θήκη φράκτη σχισίματος στην οπίσθια άκρη κάθε σχισιής του φράκτη σχισίματος έτσι ώστε να συνενωθούν όπως φαίνεται στην εικόνα.

Για να αλλάξετε από το σχέδιο A ή B στο σχέδιο C ή D, ή στην αντίθετη περίπτωση, αφαιρέστε το τετράγωνο παξιμάδι, ροδέλλα και βίδα σύσφιγξης (A) από την θήκη του φράκτη σχισίματος, μετά τοποθετήστε την βίδα σύσφιγξης (A), ροδέλλα και τετράγωνο παξιμάδι στην αντίθετη θέση του φράκτη σχισίματος σε σύγκριση με την αρχική θέση. Σφίχτε την βίδα σύσφιγξης (A) στερεά αφού βάλετε το τετράγωνο παξιμάδι της θήκης φράκτη σχισίματος στην σχισιή του φράκτη σχισίματος.

Βάλτε το τετράγωνο παξιμάδι της θήκης του φράκτη σχισίματος στο οπίσθιο άκρο κάθε σχισιής του φράκτη σχισίματος, έτσι ώστε να προσαρμόσουν όπως φαίνεται στην εικόνα. **(Εικ. 26)**

Ο φράκτης σχισίματος είναι εργοστασιακά ρυθμισμένος έτσι ώστε να είναι παράλληλος στην επιφάνεια της λάμας. Βεβαιωθείτε ότι είναι παράλληλος. Για να ελέγξετε με βεβαιότητα ότι ο φράκτης σχισίματος είναι παράλληλος με την λάμα, Χαμηλώστε το τραπέζι στην κατώτερη θέση έτσι ώστε η λάμα εμφανίζεται στην υψηλότερη θέση από το τραπέζι. Σημειώστε ένα από τα δόντια της λάμας με ένα μαρκαδόρο. Μετρήστε την απόσταση (A) και (B) μεταξύ του φράκτη σχισίματος και λάμας. Πάρτε και τις δύο μετρήσεις χρησιμοποιώντας το δόντι που σημειώθηκε με μαρκαδόρο. **(Εικ. 27)** Αυτές οι δύο μετρήσεις πρέπει να είναι ταυτόσημες εάν ο φράκτης σχισίματος δεν είναι παράλληλος με την λάμα, προχωρήστε ως εξής: **(Εικ. 28)**

- (1) Περιστρέψτε τις βίδες ρύθμισης αριστερόστροφα.
- (2) Μετατοπίστε την οπίσθια άκρη του φράκτη σχισίματος ελαφρά στα αριστερά ή στα δεξιά μέχρι να γίνει παράλληλη με την λάμα.
- (3) Σφίξτε καλά τη βίδα ρύθμισης στο φράκτη σχισίματος.

⚠️ ΠΡΟΣΟΧΗ:

- Βεβαιωθείτε ότι ρυθμίζετε τον φράκτη σχισίματος έτσι ώστε να είναι παράλληλος με την λάμα, αλλιώς μία επικίνδυνη κατάσταση οπισθολακτίσματος μπορεί να συμβεί.
- Βεβαιωθείτε ότι ρυθμίζετε τον φράκτη σχισίματος έτσι ώστε δεν κάνει επαφή με τον προφυλακτήρα της άνω λάμας ή με την λάμα πριονιού. **(Εικ. 29)**

Σάκος σκόνης

Η χρήση του σάκου σκόνης κάνει τις εργασίες κοπής καθαρές και την συλλογή σκόνης εύκολη. Για να προσαρμόσετε τον σάκο σκόνης, εφαρμόστε τον στο στόμιο σκόνης. **(Εικ. 30)**

ΣΗΜΕΙΩΣΗ:

- Κατά την λειτουργία λοξού πριονιού, πάντοτε βάζετε τον σάκο σκόνης μόνο στο οπίσθιο στόμιο.

Όταν ο σάκος σκόνης είναι περίπου μισογεμάτος, αφαιρέστε τον σάκο σκόνης από το εργαλείο και τραβήξτε τον προσδετήρα έξω. Αδειάστε τον σάκο σκόνης από τα περιεχόμενά του, χτυπώντας τον ελαφρά έτσι ώστε να αφαιρέσετε τα σωματίδια που είναι κολλημένα στο εσωτερικό για να μην εμποδίζουν την περαιτέρω συλλογή. **(Εικ. 31)**

Εάν συνδέσετε μιά ηλεκτρική σκούπα στο πριόνι σας, καθαρότερες και επαρκέστερες εργασίες μπορούν να εκτελεστούν.

Όταν χρησιμοποιείτε στη θέση λειτουργίας επιτραπέζιου πριονιού, συνδέστε με ηλεκτρική σκούπα.

Θέση λειτουργίας επιτραπέζιου πριονιού

(Εικ. 32)

Θέση λειτουργίας λοξού πριονιού (Εικ. 33)

Για να τοποθετήσετε το κάλυμμα λάμας όταν χρησιμοποιείτε την λειτουργία επιτραπέζιου πριονιού (λειτουργία πάγκου), γυρίστε την περιστροφική βάση σε λοξή γωνία 0° (δείτε το τμήμα με τίτλο "Ρύθμιση της λοξής γωνίας") και τοποθετήστε το κάλυμμα λάμας στο περιστροφικό τραπέζι έτσι ώστε το κάλυμμα λάμας είναι στο κέντρο πάνω από την σχισμή για την είσοδο της λάμας στο περιστροφικό τραπέζι και μετά κλειδώστε την λαβή στην χαμηλότερη θέση σπρώχνοντας εντελώς μέσα τον ανασταλτικό πείρο όπως φαίνεται στην εικόνα.

ΣΗΜΕΙΩΣΗ:

- Όταν χρησιμοποιείτε το εργαλείο στην λειτουργία επιτραπέζιου τραπέζιου (λειτουργία πάγκου), βεβαιωθείτε ότι το κάλυμμα λάμας είναι τοποθετημένο στο περιστροφικό τραπέζι.

Ασφάλιση τεμαχίου εργασίας

Όταν είναι δυνατόν, ασφαλίστε το τεμάχιο εργασίας με την προαιρετική μέγγενη. Εάν πρέπει να χρησιμοποιήσετε το χέρι σας να κρατάτε το τεμάχιο εργασίας, τότε πρέπει να γίνει σταθερά και με ασφάλεια για να μην απωλέσετε τον έλεγχο του τεμαχίου εργασίας. Το χέρι σας και ο βραχίονας πρέπει να κρατούνται σε αρκετή απόσταση από την περιοχή της λάμας (100 χιλ. ελάχιστο). Συμπίεστε το τεμάχιο εργασίας σταθερά επί του φράκτη οδηγού με τα δάκτυλά σας κρατημένα πάνω από την κορυφή του φράκτη οδηγού. Το τεμάχιο εργασίας πρέπει επίσης να εφάπτεται σταθερά στην περιστροφική βάση.

⚠️ ΠΡΟΕΙΔΟΠΟΙΗΣΗ:

- Ποτέ μη χρησιμοποιείτε το χέρι σας για να κρατάτε το τεμάχιο εργασίας εάν απαιτείται το χέρι σας να είναι πιά κοντά από 100 χιλ από την περιοχή της λάμας. Στην περίπτωση αυτή πάντοτε χρησιμοποιείτε την προαιρετική μέγγενη για να ασφαλίσετε το τεμάχιο εργασίας. Μετά από κάθε λειτουργία κοπής, σηκώνετε την λάμα απαλά. Ποτέ μην σηκώνετε την λάμα μέχρι να έχει σταματήσει τελείως. Σοβαρός τραυματισμός μπορεί να συμβεί.

⚠️ ΠΡΟΣΟΧΗ:

- Όταν κόβετε επιμήκη τεμάχια εργασίας, χρησιμοποιείτε υποστηρίγματα που είναι τόσο υψηλά όσο η άνω επιφάνεια της περιστροφικής βάσης. Μη βασίζεστε αποκλειστικά στην κατακόρυφη μέγγενη και/ή οριζόντια μέγγενη (προαιρετική) για να ασφαλίσετε το τεμάχιο εργασίας. **(Εικ. 34)**

Τα λεπτά υλικά έχουν τάση να λυγίζουν. Υποστηρίξτε το τεμάχιο εργασίας καθόλο το μήκος του για να αποφύγετε πιάσιμο της λάμας και πιθανό ΟΠΙΣΘΟΛΑΚΤΙΣΜΑ.

Βοηθητικός φράκτης (για τις ευρωπαϊκές χώρες μόνο) (Εικ. 35)

Το εργαλείο αυτό είναι εξοπλισμένο με βοηθητικό φράκτη. Ο βοηθητικός φράκτης συνήθως τοποθετείται στο εσωτερικό. Ωστόσο, όταν εκτελείτε αριστερές κωνικές τομές, αναστρέψτε τον προς τα έξω.

⚠️ ΠΡΟΣΟΧΗ:

- Όταν εκτελείτε αριστερές κωνικές τομές, αναστρέψτε το βοηθητικό φράκτη προς τα έξω. Διαφορετικά, θα έρθει σε επαφή με τη λάμα ή μέρος του εργαλείου, προκαλώντας σοβαρό τραυματισμό στο χειριστή.

Κατακόρυφη μέγγενη (Εικ. 36)

Η κατακόρυφη μέγγενη μπορεί να τοποθετηθεί σε δύο θέσεις είτε στα δεξιά είτε στα αριστερά του φράκτη οδηγού. Βάλτε την ράβδο μέγγενης μέσα στην τρύπα στον φράκτη οδηγού ή στο σύνολο θήκης και σφίχτε την βίδα να ασφαλίσετε την ράβδο μέγγενης.

Τοποθετήστε τον βραχίονα μέγγενης σύμφωνα με το πάχος και σχήμα του τεμαχίου εργασίας και ασφαλίστε τον βραχίονα της μέγγενης σφίγγοντας την βίδα. Εάν η βίδα που ασφαλίσει τον βραχίονα μέγγενης κάνει επαφή με τον φράκτη οδηγού, τοποθετήστε την βίδα στην αντίθετη πλευρά του βραχίονα μέγγενης. Βεβαιωθείτε ότι κανένα μέρος του εργαλείου δεν αγγίζει την μέγγενη όταν χαμηλώνετε την λαβή εντελώς. Εάν κάποιο μέρος την αγγίζει, επανατοποθετήστε την μέγγενη. Πιέστε το τεμάχιο εργασίας επίπεδο επί του φράκτη οδηγού και την περιστροφική βάση. Τοποθετήστε το τεμάχιο εργασίας στην επιθυμητή θέση κοπής και ασφαλίστε σταθερά σφίγγοντας το κουμπί της μέγγενης.

⚠️ ΠΡΟΣΟΧΗ:

- Το τεμάχιο εργασίας πρέπει να ασφαλιστεί σταθερά επί της περιστροφικής βάσης και φράκτη οδηγού.

Οριζόντια μέγγενη

(προαιρετικό εξάρτημα) (Εικ. 37)

Η οριζόντια μέγγενη μπορεί να τοποθετηθεί είτε στην αριστερή είτε στην δεξιά πλευρά της βάσης. Όταν εκτελείτε λοξές κοπές 30° ή μεγαλύτερες, τοποθετήστε την οριζόντια μέγγενη στην πλευρά απέναντι από την διεύθυνση προς την οποία πρόκειται να περιστραφεί η περιστροφική βάση. Γυρίζοντας το κουμπί της μέγγενης αριστερόστροφα, η βίδα ελευθερώνεται και ο άξονας της μέγγενης μπορεί να μετακινηθεί γρήγορα μέσα και έξω. Γυρίζοντας το κουμπί της μέγγενης δεξιόστροφα, η βίδα παραμένει ασφαλισμένη. Για να πιάσετε το τεμάχιο εργασίας, γυρίστε το κουμπί της μέγγενης απαλά δεξιόστροφα μέχρι η προβολή να φθάσει στην υψηλότερη θέση, μετά στερεώστε με ασφάλεια. Εάν το κουμπί της βίδας της μέγγενης σπρωχθεί μέσα ή τραβηχθεί έξω ενώ περιστρέφεται δεξιόστροφα, η προβολή θα σταματήσει σε κάποια γωνία. Στην περίπτωση αυτή γυρίστε το κουμπί της μέγγενης πίσω αριστερόστροφα μέχρι να ελευθερωθεί η βίδα, πριν το γυρίσετε πάλι απαλά δεξιόστροφα.

Το μέγιστο πλάτος του τεμαχίου εργασίας το οποίο μπορεί να ασφαλιστεί με την οριζόντια μέγγνηνη είναι 200 χιλ.

ΛΕΙΤΟΥΡΓΙΑ

⚠️ ΠΡΟΕΙΔΟΠΟΙΗΣΗ:

- Όταν χρησιμοποιείτε το εργαλείο στη θέση λειτουργίας λοξού πριονιού, ασφαλίστε το άνω τραπέζι στην υψηλότερη δυνατή θέση έτσι ώστε η λάμα πριονιού να μην προεξέχει από την άνω επιφάνεια του άνω τραπέζιου.

⚠️ ΠΡΟΣΟΧΗ:

- Πριν από την χρήση, βεβαιώστε ότι ελευθερώνετε την λαβή από την χαμηλωμένη θέση σπρώχνοντας τον ανασταλτικό πετρό.
- Βεβαιώστε ότι η λάμα δεν κάνει επαφή με το τεμάχιο εργασίας, κλπ. πριν ανάψετε τον διακόπτη.

ΚΟΨΙΜΟ ΩΣ ΛΟΞΟ ΠΡΙΟΝΙ

⚠️ ΠΡΟΣΟΧΗ:

- Μην εξασκείτε υπερβολική πίεση στην λαβή όταν κόβετε. Πάρα πολύ δύναμη θα έχει ως αποτέλεσμα υπερφόρτωση του κινητήρα και/ή μειωμένη επάρκεια κοπής. Πιέζετε κάτω την λαβή με μόνο τόση δύναμη όσο είναι απαραίτητο για απαλό κόψιμο και χωρίς σημαντική μείωση στην ταχύτητα της λάμας.
- Πατήστε απαλά κάτω την λαβή να εκτελέσετε το κόψιμο. Εάν η λαβή πατηθεί με δύναμη κάτω ή εάν εφαρμοστεί πλάγια δύναμη, η λάμα θα δονηθεί και θα αφηρεί ένα σημάδι (σημάδι πριονιού) στο τεμάχιο εργασίας και η ακρίβεια της κοπής θα ελαττωθεί.

1. Κοπή πίεσης (Εικ. 38)

Ασφαλίστε το τεμάχιο εργασίας έναντι φράκτη οδηγού και περιστροφικού τραπέζιου.

Ανάψτε το εργαλείο χωρίς η λάμα να κάνει καμιά επαφή και περιμένετε μέχρι η λάμα να αποκτήσει πλήρη ταχύτητα πριν την χαμηλώσετε. Μετά χαμηλώστε απαλά την λαβή στην κατώτερη δυνατή θέση για να κόψετε το τεμάχιο εργασίας. Όταν η κοπή έχει ολοκληρωθεί, σβήστε το εργαλείο και ΠΕΡΙΜΕΝΕΤΕ ΜΕΧΡΙ Η ΛΑΜΑ ΝΑ ΣΤΑΜΑΤΗΣΗ ΤΕΛΕΙΩΣ πριν επαναφέρετε την λάμα στην πλήρως ανασταλμένη θέση της.

2. Λοξή κοπή

Ανατρέξτε στο προηγούμενο εδάφιο “Ρύθμιση της λοξής γωνίας”.

3. Κωνική κοπή (Εικ. 39)

Χαλαρώστε τον μοχλό και κλίνετε την λάμα πριονιού να ρυθμίσετε την κωνική γωνία (Ανατρέξτε στο προηγούμενο εδάφιο “Ρύθμιση της κωνικής γωνίας”). Βεβαιώστε ότι ξανασφίγγετε τον μοχλό σταθερά να ασφαλίσετε την επιλεχθείσα κωνική γωνία με ασφάλεια. Ασφαλίστε το τεμάχιο εργασίας έναντι φράκτη οδηγού και περιστροφικού τραπέζιου. Ανάψτε το εργαλείο χωρίς η λάμα να κάνει καμιά επαφή και περιμένετε μέχρι η λάμα να αποκτήσει πλήρη ταχύτητα. Μετά χαμηλώστε απαλά την λαβή στην κατώτερη δυνατή θέση ενώ εφαρμόζετε πίεση παράλληλα με την λάμα. Όταν η κοπή έχει ολοκληρωθεί, σβήστε το εργαλείο και ΠΕΡΙΜΕΝΕΤΕ ΜΕΧΡΙ Η ΛΑΜΑ ΝΑ ΣΤΑΜΑΤΗΣΗ ΤΕΛΕΙΩΣ πριν επαναφέρετε την λάμα στην πλήρως ανασταλμένη θέση της.

⚠️ ΠΡΟΣΟΧΗ:

- Πάντοτε βεβαιώστε ότι η λάμα θα κινηθεί κάτω προς κωνική διεύθυνση κατά την διάρκεια μιάς κωνικής κοπής. Κρατάτε τα χέρια σας μακριά από την διαδρομή της λάμας πριονιού.
- Κατά την διάρκεια μιας κωνικής κοπής, μπορεί να δημιουργηθεί μιά κατάσταση όπου το κομμένο τεμάχιο θα παραμείνει στην πλευρά της λάμας. Εάν η λάμα ανασταλθεί ενώ περιστρέφεται, αυτό το τεμάχιο μπορεί να πιαστεί από την λάμα, και να προκληθεί διασκορπισμός τεμαχιδίων πράγμα που είναι επικίνδυνο. Η λάμα πρέπει να ανασταλθεί ΜΟΝΟ αφού έχει σταματήσει τελείως.
- Όταν πιέζετε την λαβή κάτω, εφαρμόζετε πίεση παράλληλα στην λάμα. Εάν η πίεση δεν είναι παράλληλη στην λάμα κατά την διάρκεια της κοπής, η γωνία της λάμας μπορεί να μετακινηθεί και ακρίβεια της κοπής θα μειωθεί.
- (Μόνο για ευρωπαϊκές χώρες) Να τοποθετείτε το βοηθητικό φράκτη προς τα έξω όταν εκτελείται αριστερές κωνικές τομές.

4. Σύνθετη κοπή

Σύνθετη κοπή είναι η διαδικασία κατά την οποία μιά κωνική γωνία γίνεται την ίδια στιγμή που μιά λοξή γωνία κόβεται σε ένα τεμάχιο εργασίας. Σύνθετη κοπή μπορεί να εκτελεσθεί στην γωνία που φαίνεται στον πίνακα.

Κωνική γωνία	Λοξή γωνία
45°	Αρ. και Δεξ. 0° – 45°

006366

Όταν εκτελείτε σύνθετη κοπή, ανατρέξτε στις εξηγήσεις των εδαφίων “Κοπή πίεσης”, “Λοξή κοπή” και “Κωνική κοπή”.

5. Κοπή προεξοχής αλουμινίου (Εικ. 40)

Όταν ασφαλίσετε προεξοχές αλουμινίου, χρησιμοποιείτε τάκους διαστήματος ή κομμάτια άχρηστα όπως φαίνεται στην εικόνα για να αποφύγετε παραμόρφωση του αλουμινίου. Χρησιμοποιείτε ένα λιπαντικό κοπής όταν κόβετε προεξοχή αλουμινίου για να αποφύγετε συσσώρευση υλικού αλουμινίου πάνω στην λάμα.

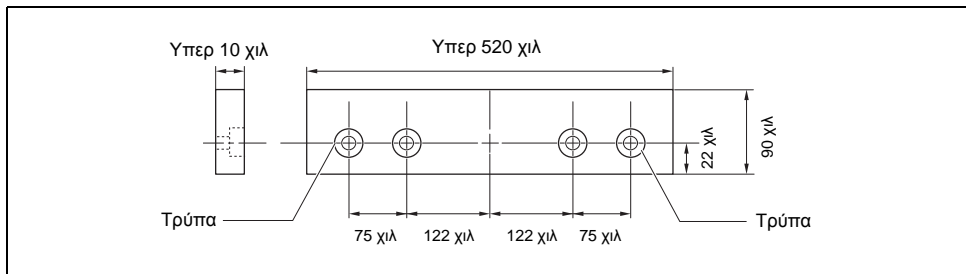
⚠️ ΠΡΟΣΟΧΗ:

- Ποτέ μην επιχειρήσετε να κόψετε παχειές ή στρογγυλές προεξοχές αλουμινίου. Παχειές προεξοχές αλουμινίου μπορεί να χαλαρώσουν κατά την λειτουργία και στρογγυλές προεξοχές αλουμινίου δεν μπορούν να στερεωθούν σταθερά με το εργαλείο αυτό.
- Ποτέ μη κόψετε αλουμίνιο στην θέση λειτουργίας επιτραπέζιου πριονιού (λειτουργία πάγκου).

6. Επένδυση ξύλου

Η χρήση επένδυσης ξύλου βοηθάει στην εξασφάλιση κοπών χωρίς σκλήθρες στα τεμάχια εργασίας. Προσαρμόστε μια επένδυση ξύλου στον φράκτη οδηγού χρησιμοποιώντας τις τρύπες στον φράκτη οδηγού.

Δείτε την εικόνα σχετικά με τις διαστάσεις για μιά προτεινόμενη επένδυση ξύλου.



015190

⚠️ ΠΡΟΣΟΧΗ:

- Χρησιμοποιείτε ίσιο ξύλο ομοιόμορφου πάχους για την επένδυση ξύλου.
- Χρησιμοποιείτε βίδες για να προσαρμόσετε την επένδυση ξύλου στον φράκτη οδηγό. Οι βίδες πρέπει να τοποθετούνται έτσι ώστε οι κεφαλές των βιδών είναι κάτω από την επιφάνεια της επένδυσης ξύλου.
- Όταν η επένδυση ξύλου προσαρμόζεται, μη περιστρέψετε την περιστροφική βάση με την λαβή χαμηλωμένη. Η λάμα και/ή η επένδυση ξύλου μπορεί να πάθουν ζημιά.

ΚΟΠΗ ΩΣ ΕΠΙΤΡΑΠΕΖΙΟ ΠΡΙΟΝΙ (ΛΕΙΤΟΥΡΓΙΑ ΠΑΓΚΟΥ)

Όταν χρησιμοποιείτε το εργαλείο στη θέση λειτουργίας επιτραπέζιου πριονιού (λειτουργία πάγκου), τοποθετήστε το κάλυμμα λάμας στο περιστροφικό τραπέζι έτσι ώστε το κάλυμμα λάμας να είναι στο κέντρο πάνω από τη σχισμή για την είσοδο της λάμας στο περιστροφικό τραπέζι και οι δύο προεξοχές στο κάτω μέρος του καλύμματος λάμας να εφαρμόζουν στην ημικυκλική τομή στην περιφέρεια του φράκτη οδήγησης στο περιστροφικό τραπέζι, όπως απεικονίζεται στην εικόνα, και μετά κλειδώστε τη λαβή στη χαμηλότερη θέση στρώχωντας εντελώς το ανασταλτικό πείρο. Εάν δεν στερεώσετε το κάλυμμα λάμας, το τραπέζι δεν μπορεί να κατέβει. (Εικ. 41)

Σε περίπτωση εργαλείων για τις ευρωπαϊκές χώρες, αναστρέψτε το βοηθητικό φράκτη προς τα έξω πριν τοποθετήσετε το κάλυμμα λάμας.

⚠️ ΠΡΟΣΟΧΗ:

- Πάντοτε χρησιμοποιείτε "βοηθούς εργασίας" όπως ωστικά ραβδιά και ωστικούς δοκούς όταν υπάρχει κίνδυνος τα χέρια σας και τα δάκτυλά σας να πλησιάσουν την λάμα.
- Να συγκρατείτε πάντα σταθερό το τεμάχιο εργασίας με τη βοήθεια της τράπεζας και του φράκτη σχίσματος. Μην το λυγίζετε ή το συστρέψετε κατά την τροφοδότηση. Εάν λυγίσετε ή συστρέψετε το τεμάχιο εργασίας, ενδέχεται να προκύψει επικίνδυνη ανάκρουση (οπισθολακτίσματος).
- ΠΟΤΕ μην τραβήξετε το τεμάχιο εργασίας ενώ η λάμα βρίσκεται σε λειτουργία. Εάν πρέπει να τραβήξετε το τεμάχιο εργασίας πριν συμπληρώσετε ένα κύψιμο, πρώτα σβήστε το εργαλείο ενώ κρατάτε το τεμάχιο εργασίας σταθερά. Περιμένετε μέχρι η λάμα να φτάσει σε πλήρη στάση πριν τραβήξετε το τεμάχιο εργασίας. Αμέλεια να το κάνετε μπορεί να προκαλέσει επικίνδυνα οπισθολακτίσματα.
- ΠΟΤΕ μην αφαιρέτε κομμένο υλικό ενώ η λάμα κινείται.

- ΠΟΤΕ μη βάλετε τα χέρια ή τα δάκτυλά σας στην τροχιά της λάμας πριονιού.
- Πάντοτε ασφαλίστε τον φράκτη σχίσματος σταθερά, αλλιώς επικίνδυνα οπισθολακτίσματα μπορεί να συμβούν.
- Η χρησιμοποιείτε πάντα "βοηθούς εργασίας" όπως ραβδιά ώθησης ή μπλοκ ώθησης, όταν κόβετε μικρά ή στενά τεμάχια εργασίας.

Βοηθό εργασίας

Οι ωστικοί ραβδοί, οι ωστικοί δοκοί ή ο βοηθητικός φράκτης είναι τύποι "βοηθών εργασίας". Χρησιμοποιείτε αυτά για να κάνετε ασφαλή, σίγουρα κοψίματα χωρίς την ανάγκη για τον χειριστή να φέρει σε επαφή με την λάμα οποιοδήποτε μέρος του σώματός του.

Ωστικό μπλοκ (Εικ. 42)

Χρησιμοποιείστε ένα τεμάχιο 15 χιλ από κόντρα-πλακέ. Η λαβή πρέπει να είναι στο κέντρο του τεμαχίου κόντρα-πλακέ. Στερεώστε με κόλλα και ξυλόβιδες όπως φαίνεται. Ένα μικρό κομμάτι 10 χιλ x 9 χιλ x 30 χιλ ξύλου πρέπει πάντοτε να κολλείται σε κόντρα - πλακέ για να προστατεύει την λάμα από άμβλυση εάν ο χειριστής κόψει από λάθος την ωστική δοκό. (Ποτέ μη χρησιμοποιείτε καρφιά στην ωστική δοκό.)

Βοηθητικός φράκτης (Εικ. 43 και 44)

Κάνετε βοηθητικό φράκτη από κομμάτια κόντρα-πλακέ 10 χιλ και 15 χιλ.

Αφαιρέστε τον φράκτη σχίσματος, βίδα σύσφιξης (Α), επίπεδη ροδέλλα και τετράγωνο παξιμάδι από την θήκη του φράκτη σχίσματος και μετά προσαρμόστε και ασφαλίστε τον βοηθητικό φράκτη στην θήκη του φράκτη σχίσματος χρησιμοποιώντας ένα μπουλόνι M6 μακρύτερο από το M6 x 50, ροδέλλες και παξιμάδι.

Σχίσσιμο

⚠️ ΠΡΟΣΟΧΗ:

- Όταν κόβετε επιμήκη ή μεγάλα τεμάχια εργασίας, πάντοτε παρέχετε επαρκή υποστήριξη κάτω από το τραπέζι. ΜΗΝ επιτρέπεται μιά μεγάλη σανίδα να κινείται ή να μετατοπίζεται στο τραπέζι. Αυτό θα προκαλέσει την λάμα να πιαστεί και αυξάνεται η πιθανότητα οπισθολακτίσματος και προσωπικού τραυματισμού. Η υποστήριξη πρέπει να έχει το ίδιο ύψος με το τραπέζι.
1. Ρυθμίστε το βάθος κοπής λίγο υψηλότερα από το πάχος του τεμαχίου εργασίας. Για να κάνετε αυτή την ρύθμιση, χαλαρώστε δύο μοχλούς και χαμηλώστε ή σηκώστε το άνω τραπέζι.

2. Τοποθετήστε τον φράκτη σχισίματος στο επιθυμητό πλάτος σχισίματος και ασφαλίστε το στη θέση του σφίγγοντας την βίδα σύσφιξης (Α). Πριν από το σχίσιο, βεβαιωθείτε ότι οι δύο βίδες της θήκης του φράκτη σχισίματος είναι ασφαλείς. Εάν δεν είναι αρκετά ασφαλείς ξανασφίξτε τις βίδες.
3. Ανάψτε το εργαλείο και απала τροφοδοτείστε το με κάποια εργασία μέσα στον λάμα μαζί με τον φράκτη σχισίματος.
 - (1) Όταν το πλάτος σχισίματος είναι 40 χιλ ή πλατύτερο, χρησιμοποιείστε μιά ωστική ράβδο. **(Εικ. 45)**
 - (2) Όταν το πλάτος σχισίματος είναι στενότερο από 40 χιλ, η ωστική ράβδος θα χτυπήσει τον άνω προφυλακτήρα της λάμας. Χρησιμοποιείστε τον βοηθητικό φράκτη και ωστικό μπλοκ. Τοποθετήστε με ασφάλεια τον βοηθητικό φράκτη που ασφαρίζεται στην θήκη του φράκτη σχισίματος στο τραπέζι. Τροφοδοτείστε το τεμάχιο εργασίας με το χέρι μέχρι η άκρη να είναι περίπου 25 χιλ από την εμπρόσθια άκρη του άνω τραπέζιού. Συνεχίστε να τροφοδοτείτε χρησιμοποιώντας την ωστική δοκό στην κορυφή του βοηθητικού φράκτη μέχρι να ολοκληρωθεί η κοπή. **(Εικ. 46)**

Μεταφορά εργαλείου

Βεβαιώστε ότι το εργαλείο είναι αποσυνδεδεμένο. Το τραπέζι πρέπει να είναι στερεωμένο στην άνω θέση. Ασφαλίστε την λάμα σε 0° κωνική γωνία και την περιστροφική βάση σε αριστερή λοξή γωνία πλήρως. Χαμηλώστε την λαβή εντελώς και κλειδώστε την στην χαμηλωμένη θέση στρώχοντας εντελώς μέσα τον ανασταλτικό πείρο. **(Εικ. 47)**

Μεταφέρετε το εργαλείο κρατώντας και τις δύο πλευρές της βάσης του εργαλείου όπως φαίνεται στην εικόνα. Εάν αφαιρέσετε τις θήκες, σάκο σκόνης, κλπ., μπορείτε να μεταφέρετε το εργαλείο πολύ ευκολότερα. **(Εικ. 48)**

⚠ ΠΡΟΣΟΧΗ:

- Πάντοτε ασφαρίζετε όλα τα κινητά μέρη πριν μεταφέρετε το εργαλείο.

ΣΥΝΤΗΡΗΣΗ

⚠ ΠΡΟΣΟΧΗ:

- Πάντοτε βεβαιώνετε ότι το εργαλείο είναι σβηστό και αποσυνδεδεμένο πριν επιχειρήσετε να εκτελέσετε επιθεώρηση ή συντήρηση.
- Μην χρησιμοποιείτε ποτέ βενζίνη, πετρελαϊκό αιθέρα, διαλυτικό, αλκοόλη ή παρόμοιες ουσίες. Ενδέχεται να προκληθεί αποχρωματισμός παραμόρφωση ή ρωγμές.

⚠ ΠΡΟΕΙΔΟΠΟΙΗΣΗ:

- Πάντοτε βεβαιώνετε ότι η λάμα είναι αιχμηρή και καθαρή για καλές και ασφαλείς κοπές.

Ρύθμιση της γωνίας κοπής

Αυτό το εργαλείο είναι προσεκτικά ρυθμισμένο και ευθυγραμμισμένο στο εργοστάσιο, αλλά σκληρή μεταχείριση μπορεί να έχει επηρεάσει την ευθυγράμμιση. Εάν το εργαλείο σας δεν είναι ευθυγραμμισμένο κατάλληλα, εκτελέστε τα ακόλουθα:

1. Λοξή γωνία

Χαλαρώστε την λαβή που ασφαρίζει την περιστροφική βάση. Γυρίστε την περιστροφική βάση έτσι ώστε ο δείκτης να δείχνει στο 0° στην λοξή κλίμακα. Σφίξτε την λαβή και χαλαρώστε τα εξάγωνα μπουλόνια που ασφαλίζουν τον φράκτη οδηγό χρησιμοποιώντας το κόλλο κλειδί. **(Εικ. 49)**

Χαμηλώστε την λαβή εντελώς και κλειδώστε την στην χαμηλωμένη θέση στρώχοντας εντελώς μέσα τον ανασταλτικό πείρο. Τετραγωνίστε την πλευρά της λάμας με την πρόσοψη του φράκτη οδηγού χρησιμοποιώντας ένα τριγωνικό κανόνα, δοκιμαστικό τετράγωνο κλπ. Μετά σφίξτε με ασφάλεια τα εξάγωνα μπουλόνια στον φράκτη οδηγό στην σειρά από την δεξιά πλευρά. **(Εικ. 50)**

2. Κωνική γωνία

(1) 0° Κωνική γωνία

Χαμηλώστε την λαβή εντελώς και κλειδώστε την στην χαμηλωμένη θέση στρώχοντας εντελώς μέσα τον ανασταλτικό πείρο. Χαλαρώστε τον μοχλό στο οπίσθιο μέρος του εργαλείου. Γυρίστε το ρυθμιστικό μπουλόνι της κωνικής γωνίας 0° στην δεξιά πλευρά της περιστροφικής βάσης δύο ή τρεις περιστροφές δεξιόστροφα για να δώσετε κλίση στη λάμα προς τα δεξιά. **(Εικ. 51)**

Προσεκτικά τετραγωνίστε την πλευρά της λάμας με την επάνω επιφάνεια της περιστροφικής βάσης χρησιμοποιώντας ένα τριγωνικό κανόνα, δοκιμαστικό τετράγωνο κλπ. γυρίζοντας το ρυθμιστικό μπουλόνι της κωνικής γωνίας 0° αριστερόστροφα. **(Εικ. 52)**

Βεβαιωθείτε ότι ο δείκτης στην περιστροφική βάση δείχνει στο 0° στην κωνική κλίμακα στον βραχίονα. Εάν δεν δείχνει στο 0°, χαλαρώστε την βίδα που ασφαρίζει τον δείκτη και ρυθμίστε τον δείκτη έτσι ώστε να δείχνει στο 0°. **(Εικ. 53)**

(2) 45° κωνική γωνία

Ρυθμίστε την κωνική γωνία 45° μόνο αφού εκτελέσετε ρύθμιση κωνικής γωνίας 0°. Για να ρυθμίσετε την αριστερή κωνική γωνία 45°, χαλαρώστε τον μοχλό και κλινετε την λάμα τελείως στα αριστερά. Βεβαιωθείτε ότι ο δείκτης στον βραχίονα δείχνει στο 45° στην κωνική κλίμακα στον βραχίονα. Εάν ο δείκτης δεν δείχνει στο 45°, γυρίστε το ρυθμιστικό μπουλόνι κωνικής γωνίας 45°, στην αριστερή πλευρά του βραχίονα μέχρι ο δείκτης να δείχνει στο 45°. **(Εικ. 54)**

Αντικατάσταση ψηκτρών άνθρακα (Εικ. 55 και 56)

Αφαιρέτε και ελέγχετε τις ψηκτρες άνθρακα τακτικά. Αντικαταστήστε όταν φθαρούν μέχρι μήκος 3 χιλιοστών. Κρατάτε τις ψηκτρες άνθρακα καθαρές και ελεύθερες να γλιστρούν στις θήκες. Και οι δύο ψηκτρες άνθρακα πρέπει να αντικαθίστανται ταυτόχρονα. Χρησιμοποιείτε μόνο ταυτόσημες ψηκτρες άνθρακα. Χρησιμοποιείτε ένα καταβίδι για να αφαιρέσετε τα κατάκια των ψηκτρών άνθρακα. Βγάλε τις φθαρμένες ψηκτρες άνθρακα, βάλτε τις καινούργιες και ασφαλίστε τα κατάκια των ψηκτρών άνθρακα.

Μετά την χρήση

- Μετά την χρήση, σφουγγίστε τα τεμαχίδια και την σκόνη που είναι κολλημένα στο εργαλείο με ένα πανί ή κάτι παρόμοιο. Κρατείστε τους προφυλακτήρες λάμας καθαρούς σύμφωνα με τις οδηγίες στο προηγούμενος καλυφθέν τμήμα με τίτλο "Προφυλακτήρας λάμας". Λιπαίνετε τα μέρη που γλιστρούν με μηχανικό έλαιο για να μην οξειδωθούν.

Για την διατήρηση της ΑΣΦΑΛΕΙΑΣ και ΑΞΙΟΠΙΣΤΙΑΣ του προϊόντος, επισκευές, οποιαδήποτε άλλη συντήρηση ή ρύθμιση πρέπει να εκτελούνται από Εξουσιοδοτημένα Κέντρα Σερβίς της Makita, πάντοτε με χρήση ανταλλακτικών Makita.

ΠΡΟΑΙΡΕΤΙΚΑ ΕΞΑΡΤΗΜΑΤΑ

⚠ ΠΡΟΣΟΧΗ:

• Αυτά τα εξαρτήματα ή προσαρτήματα συνιστώνται για χρήση με το εργαλείο Makita που περιγράφηκε στις οδηγίες αυτές. Η χρήση οπιδδήποτε άλλων εξαρτημάτων ή προσαρτημάτων μπορεί να προκαλέσει κίνδυνο τραυματισμού σε άτομα. Χρησιμοποιείτε τα εξαρτήματα ή προσαρτήματα μόνο για την χρήση που προορίζονται.

Εάν χρειάζεστε οποιαδήποτε βοήθεια για περισσότερες πληροφορίες σε σχέση με αυτά τα εξαρτήματα, απαντηθείτε στο τοπικό σας κέντρο εξυπηρέτησης Makita.

- Λάμες πριονιού με άκρα από ασάλι και καρβίδιο.
- Σύνολο μέγγενης (οριζόντια μέγγενη)
- Κατακόρυφη μέγγενη
- Κόιλο κλειδί 13
- Ρύθμιση θήκης
- Σάκος σκόνης
- Τριγωνικός κανόνας
- Κάλυμμα λάμας
- Ωστική ράβδος
- Σύνολο κανόνα (Φράκτης σχισίματος)

ΣΗΜΕΙΩΣΗ:

• Μερικά στοιχεία στη λίστα μπορεί να συμπεριλαμβάνονται στη συσκευασία εργαλείου ως στάνταρ εξαρτήματα. Μπορεί να διαφέρουν ανάλογα με τη χώρα.

Θόρυβος

Το τυπικό Α επίπεδο μετρημένου θορύβου καθορίζεται σύμφωνα με το EN61029:

Μοντέλο LH1201FL 220 V – 240 V

Στάθμη πίεσης ήχου (L_{pA}): 93 dB (A)
Στάθμη δύναμης ήχου (L_{WA}): 106 dB (A)
Αβεβαιότητα (K): 3 dB (A)

Μοντέλο LH1201FL 110 V

Στάθμη πίεσης ήχου (L_{pA}): 95 dB (A)
Στάθμη δύναμης ήχου (L_{WA}): 108 dB (A)
Αβεβαιότητα (K): 3 dB (A)

Φοράτε ωτοασπίδες

ENH003-15

Μόνο για χώρες της Ευρώπης

Δήλωση Συμμόρφωσης ΕΚ

Η Makita δηλώνει ότι τα ακόλουθα μηχανήματα:

Χαρακτηρισμός μηχανήματος:

Επιτραπέζιο λοξό πριόνι

Αρ. μοντέλου/ Τύπος: LH1201FL

συμμορφώνονται με τις ακόλουθες Ευρωπαϊκές Οδηγίες:

2006/42/EK

Κατασκευάζονται σύμφωνα με τα ακόλουθα πρότυπα ή έγγραφα τυποποίησης:

EN61029

Το αρχείο τεχνικών στοιχείων, σύμφωνα με την Οδηγία 2006/42/EK, διατίθεται από:

Makita, Jan-Baptist Vinkstraat 2, 3070, Βέλγιο

31.7.2015



Yasushi Fukaya
Διευθυντής

Makita, Jan-Baptist Vinkstraat 2, 3070, Βέλγιο

Makita Jan-Baptist Vinkstraat 2, 3070, Belgium
Makita Corporation Anjo, Aichi, Japan