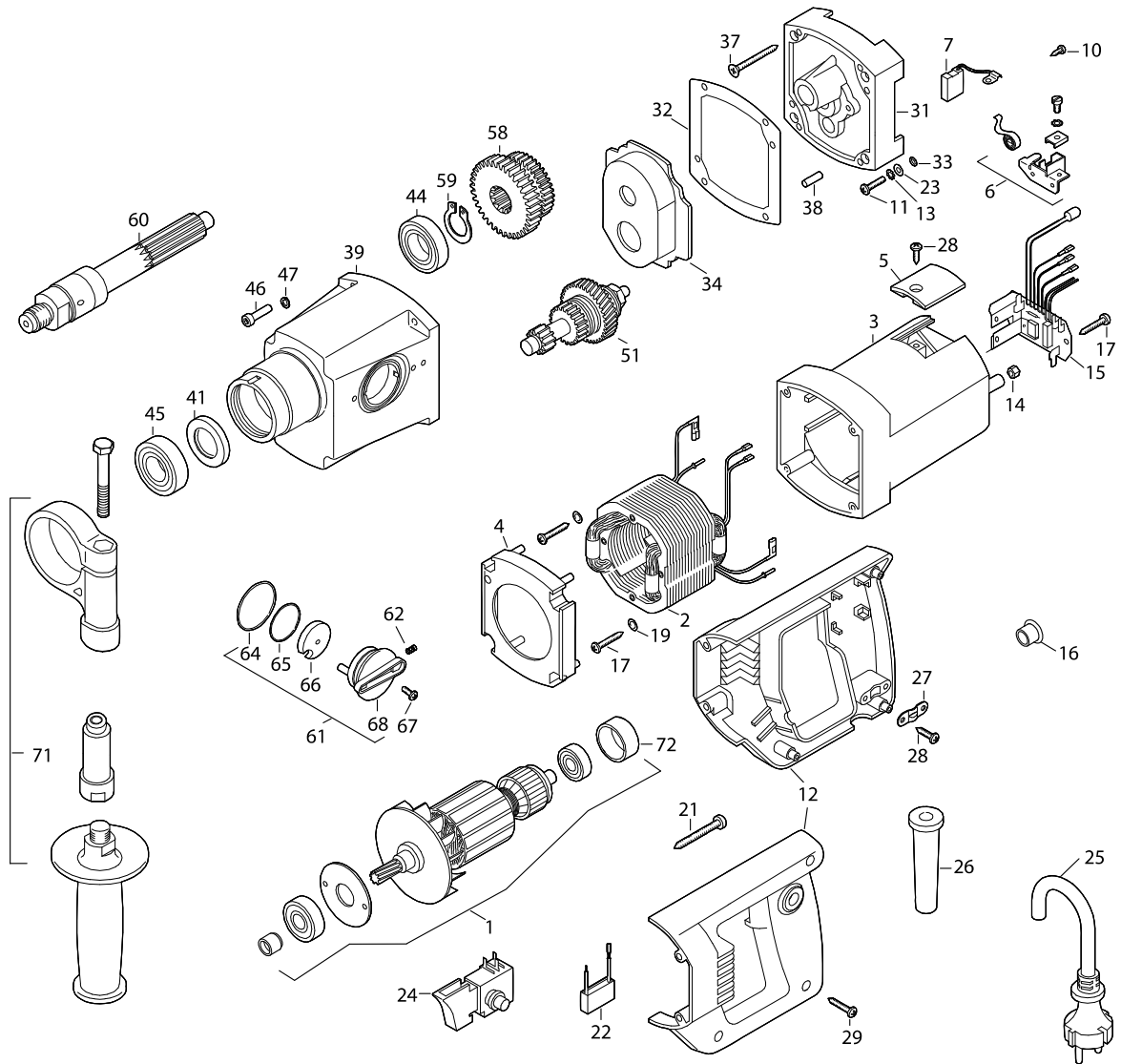


Modelo DBM130 DIAMOND CORE DRILL



Artículo	Código	Descripción	Interc	Cantida	N/O	Opción 1	Opción 2	Notas
001	EE7332L100	ROTOR COMPLETE 230V		1				
D10		INC. 72						
002	EE73320150	STATOR COMPLETE 230V		1				
003	EE80900159	MOTOR HOUSING		1				
004	EE80900072	AIR GUIDING RING		1				
005	EE80900073	BRUSH HOLDER COVER		2				
006	EE80201199	BRUSH HOLDER		2				
007	EE80700019	PAIR OF BRUSHES		2	*			
007-1	EE7332022S	PAIR OF BRUSHES	<	1				
010	EE80201252	SELF TAPPING SCREW HC 2,9X13		4				
011	EE80201131	LENS HEAD SCREW M4X16		2				
012	EE80900070	PAIR OF HANDLE HALVES		1				
013	EE80200752	TOOTH LOCK WASHER A4,3		2				
014	EE80201295	PLASTIC NUT M5		2				
015	EE80601135	CIRCUIT BOARD 230V		1				
016	EE80900012	PLUG		1				
017	EE80201273	SELF TAPPING SCREW HC 4,2X25		4				
019	EE80201362	SAFETY WASHER S6		2				
021	EE80201267	SELF TAPPING SCREW		4				
022	EE73320305	ANTI PARASITE CONDENSER		1				
023	EE80201371	DISC		2				
024	EE80600116	SWITCH		1				
025	EE80600060	CONNECTING CABLE		1				
026	EE83000004	CABLE GROMMET		1				
027	EE85000020	WIRE LOCKING FLANGE		1				
028	EE80201270	SELF TAPPING SCREW		4				
029	EE80201272	SELF TAPPING SCREW HC 4,2X22		3				
031	EE7332S610	END SHIELD OF GEARING		1				
032	EE82000501	GEARBOX SEAL		1				
033	EE83000019	O-RING 3,68X1,78 NBR		2				
034	EE80900120	GREASE COMPARTMENT BARRIER		1				
037	EE80201275	SCREW 4,5X50		4				
038	EE80200580	NOTCHED PIN PLUG 5X16		2				
039	EE7332S400	GEARBOX HOUSING		1				
041	EE83000078	SHAFT SEAL RING 20X35X7		1				
044	EE80410152	GROOVED BALL BEARING 6904 2RS		1				
045	EE80410051	GROOVED BALL BEARING		1				
046	EE80201121	ALLEN SCREW M5X20		4				
047	EE80201302	LOCK WASHER		4				
051	EE7332L49K	CLUTCH COMPLETE		1				
058	EE73320440	GEAR BLOCK		1				
059	EE80201319	LOCKING RING 19/1		1				
060	EE73320420	WORK SPINDLE		1				
061	EE73320545	GEAR CHANGER COMPLETE		1				
D10		INC. 62-68						
062	EE80430029	SNAP BOLT		1				
064	EE83000022	O RING		1				
065	EE83000017	O-RING 28X1 NBR		1				

