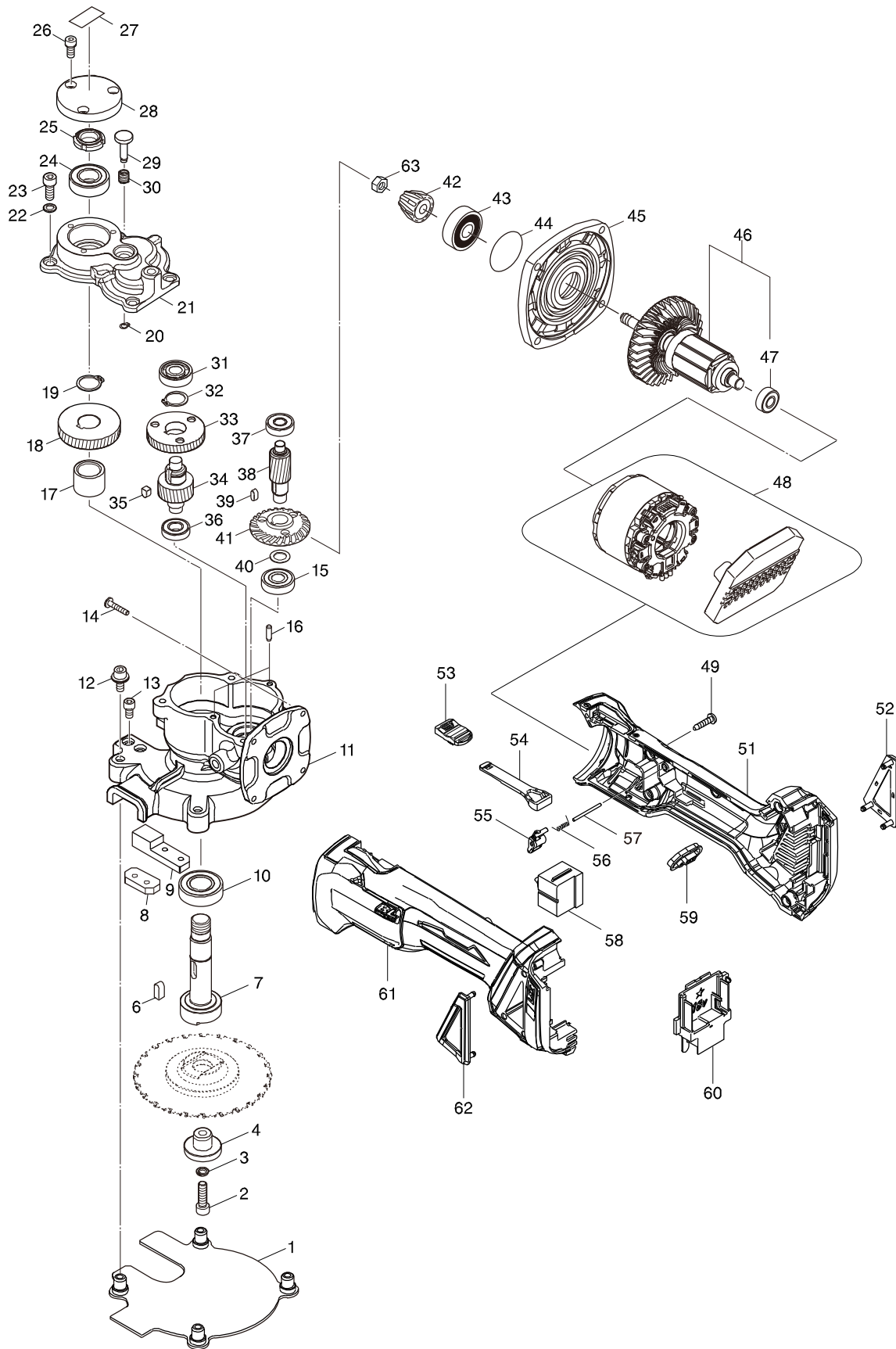


Modelo DSC250 CORDLESS STEEL ROD CUTTER



Artículo	Código	Descripción	Interc	Cantidad	N/O	Opción 1	Opción 2	Notas
001	SC09001030	CHIPSAW COVER		1				
002	SC07513090	HEX. SOCKET HEAD BOLT M6X22		1				
003	SC07651310	SPRING WASHER 6		1				
004	SC03510850	CHIPSAW GUIDE		1				
006	SC03701230	KEY		1				
007	SC03510810	SPINDLE		1				
008	SC03510830	MATERIAL GUIDE B		1				
009	SC03510880	MATERIAL GUIDE A		1				
010	SC07101340	BALL BEARING 6003VV		1				
011	SC03252320	GEAR CASE		1				
012	SC07541020	GT CAP SCREW M6X14		4				
013	SC07512010	BOLT HB5X5		4				
014	SC07554120	TAPPING SCREW M4X30		4				
015	SC07101010	BALL BEARING 6000Z		1				
016	SC06601720	PIN 4X20		2				
017	SC03510860	GEAR29 COLLAR		1				
018	SC03607830	GEAR29		1				
019	SC07410100	CIRCLIP S17		1				
020	SC07411250	CIRCLIP STW5		1				
021	SC03252330	GEARCASE COVER		1				
022	SC00000066	WASHER 6		4				
023	SC07513020	BOLT HB6X15		4				
024	SC07000050	BALL BEARING 6002VV		1				
025	SC07700240	FINE U NUT M15X1		1				
026	SC00000059	HEX. SOCKET HEAD BOLT 5X12		3				
027	SC08014760	CAUTION LABEL		1				
028	SC03252370	SPINDLE COVER		1				
029	SC03510840	LOCK BUTTON		1				
030	SC04008350	LOCK SPRING		1				
031	SC07101010	BALL BEARING 6000Z		1				
032	SC00000378	CIRCLIP S16		1				
033	SC03607810	GEAR41		1				
034	SC03607820	GEAR16		1				
035	SC03701660	GEAR16 KEY		1				
036	SC07104010	BALL BEARING 6900ZZ		1				
037	SC07000040	BALL BEARING 608VV		1				
038	SC03607800	GEAR13		1				
039	SC03701670	GEAR KEY		1				
040	SC03301660	GEAR13 WASHER		1				
041	227502-3	SPIRAL BEVEL GEAR 39		1				
042	221442-7	SPIRAL BEVEL GEAR 19		1				
043	210042-8	BALL BEARING 629LLB		1				
044	213445-5	O-RING 26		1				
045	319214-3	GEAR HOUSING COVER		1				
046-1	519354-9	ROTOR ASS'Y		1	*			
D10		INC. 47			*			
046-2	519378-5	ROTOR ASS'Y	O	1				
D10		INC. 47						

Artículo	Código	Descripción	Interc	Cantida	N/O	Opción 1	Opción 2	Notas
047	210034-7	BALL BEARING 607LLB		1				
048	629176-0	STATOR COMPLETE		1				
049	266326-2	TAPPING SCREW 4X18		5				
051	187997-1	MOTOR HOUSING SET		1				
D10		INC. 61						
052	455450-8	DUST COVER R		1				
053	455447-7	SWITCH KNOB		1				
054	455446-9	SWITCH LEVER		1				
055	455448-5	LEVER		1				
056	231679-8	TORSION SPRING 2		1				
057	268330-7	PIN 2		1				
058	650579-7	SWITCH 1246.3223		1				
059	142901-7	INDICATOR PANEL COMPLETE		1				
060	643874-2	TERMINAL		1				
061	187997-1	MOTOR HOUSING SET		1				
D10		INC. 51						
062	455449-3	DUST COVER L		1				
063	252186-8	HEX. NUT M6		1				
A01	SC09002890	CUTTER		1				
A02	SC08200100	LONG HEX WRENCH M5		1				
A03	SC08106610	DUST CASE		1				
A04	SC09009190	PLASTIC CASE SET		1				
A05	153489-2	GRIP 36 COMPLETE		1				