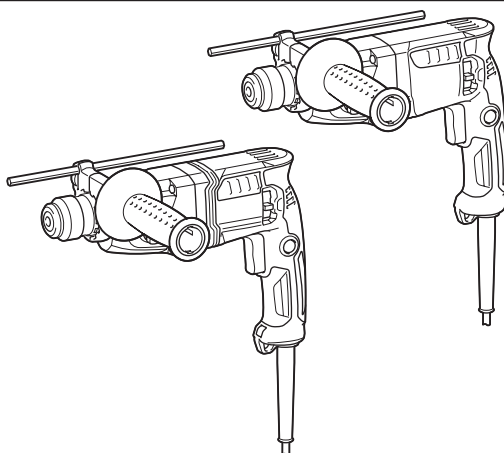




EN	Rotary Hammer	INSTRUCTION MANUAL	6
FR	Marteau Perforateur	MANUEL D'INSTRUCTIONS	11
DE	Bohrhammer	BETRIEBSANLEITUNG	17
IT	Martello rotativo	ISTRUZIONI PER L'USO	23
NL	Boorhamer	GEBRUIKSAANWIJZING	29
ES	Martillo Rotativo	MANUAL DE INSTRUCCIONES	35
PT	Martelete Rotativo	MANUAL DE INSTRUÇÕES	41
DA	Borehammer	BRUGSANVISNING	47
EL	Περιστροφικό δράπανο	ΕΓΧΕΙΡΙΔΙΟ ΟΔΗΓΙΩΝ	52
TR	Kırıcı Delici	KULLANMA KILAVUZU	58

HR1840
HR1841F



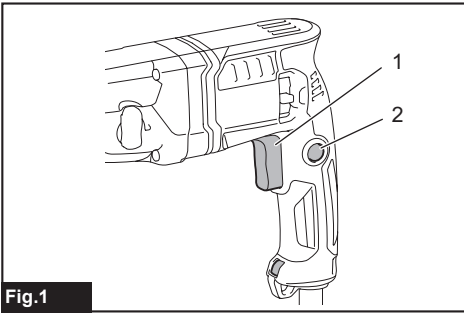


Fig.1

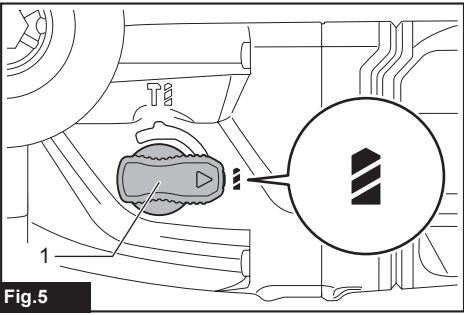


Fig.5

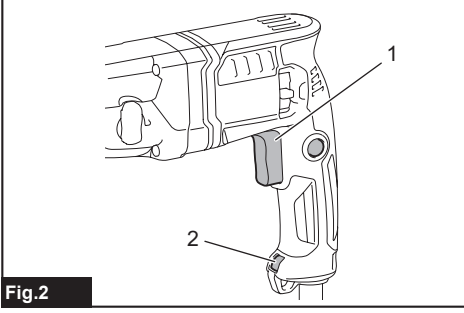


Fig.2

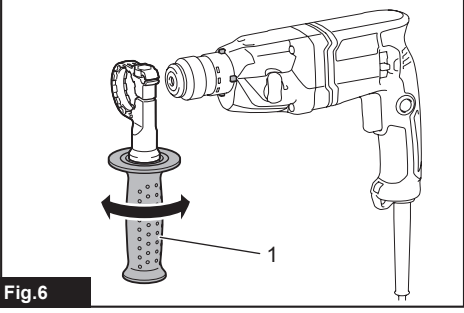


Fig.6

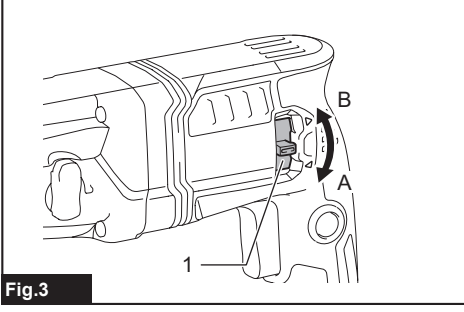


Fig.3

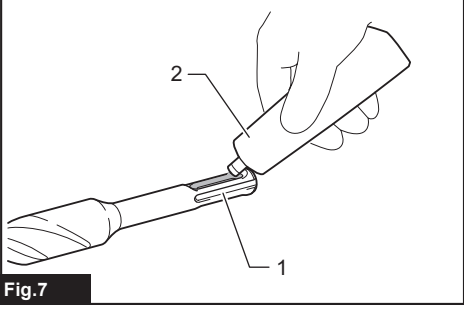


Fig.7

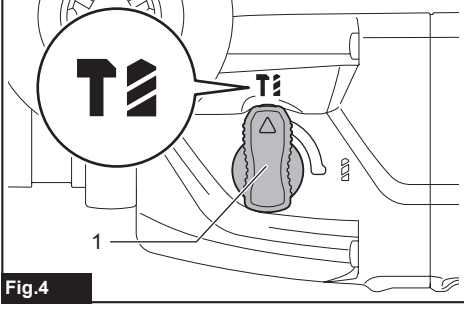


Fig.4

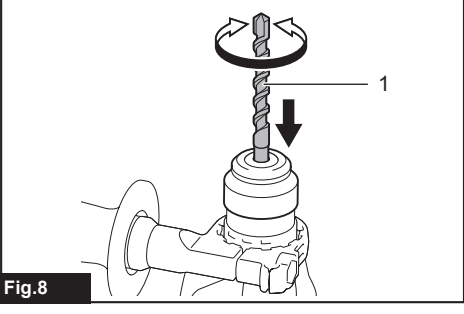


Fig.8

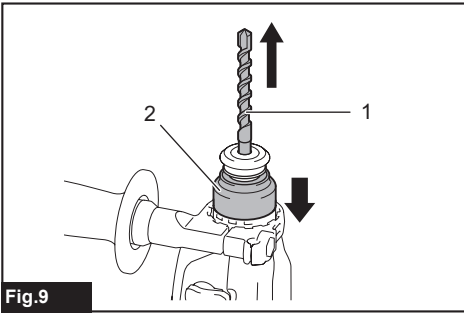


Fig.9

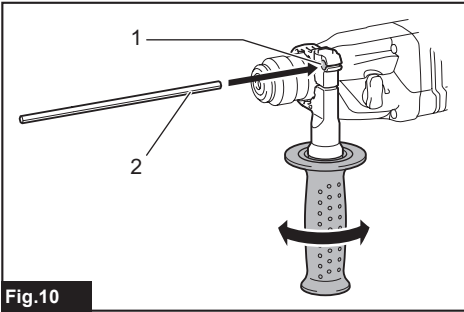


Fig.10

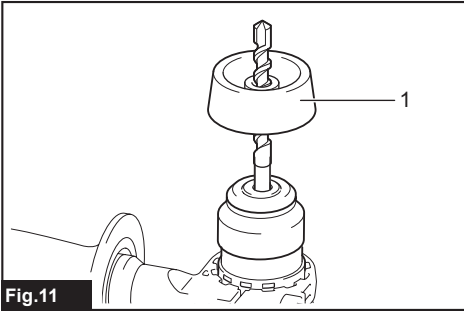


Fig.11

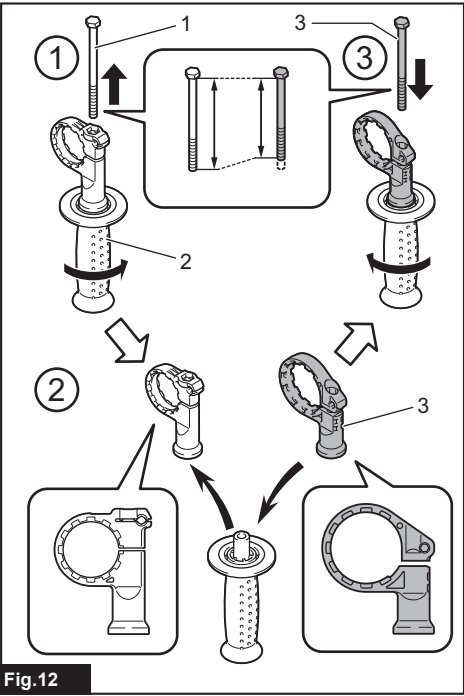


Fig.12

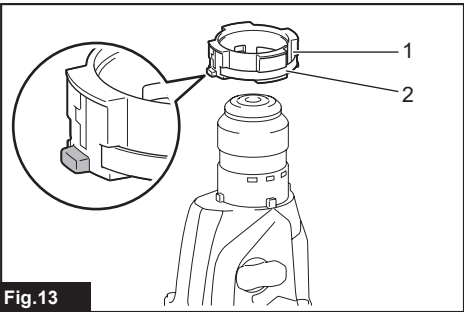


Fig.13

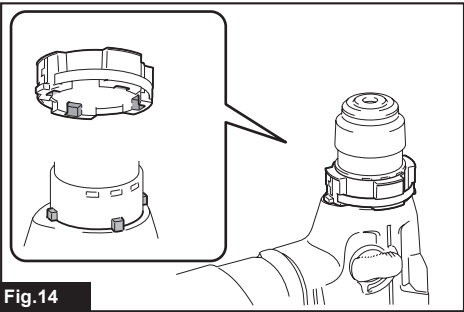


Fig.14

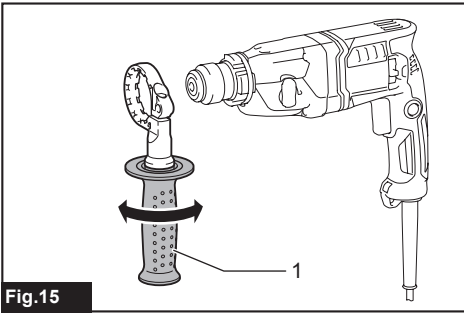


Fig.15

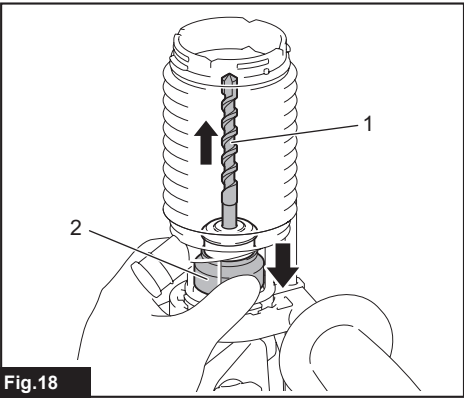


Fig.18

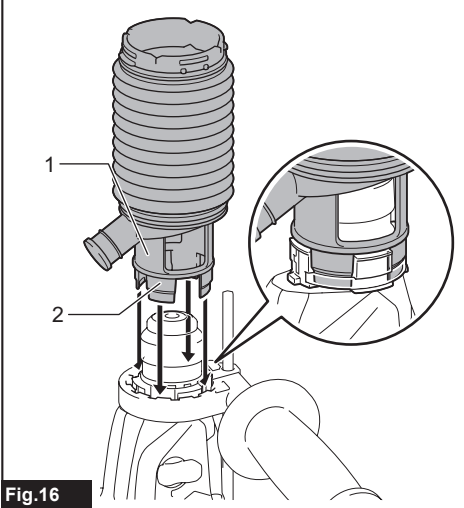


Fig.16

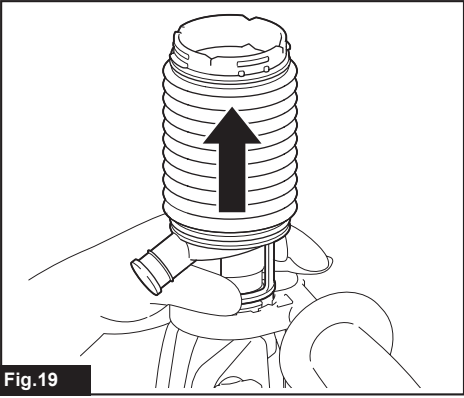


Fig.19

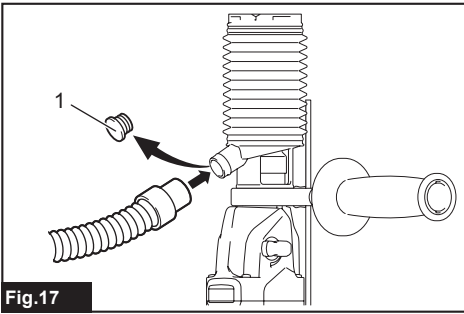


Fig.17

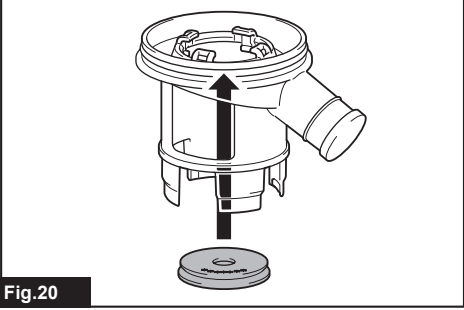


Fig.20

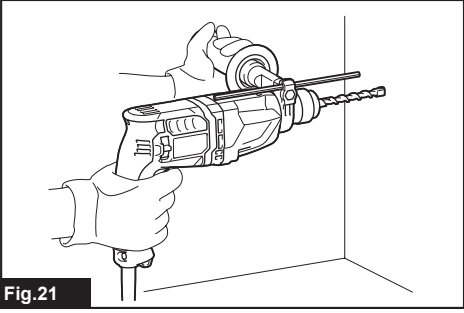
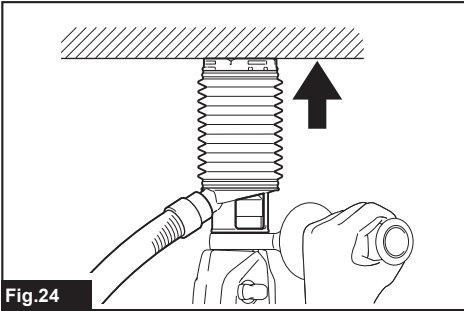
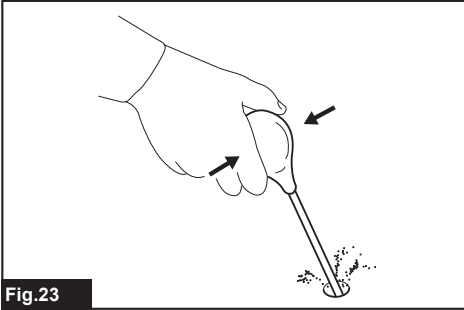
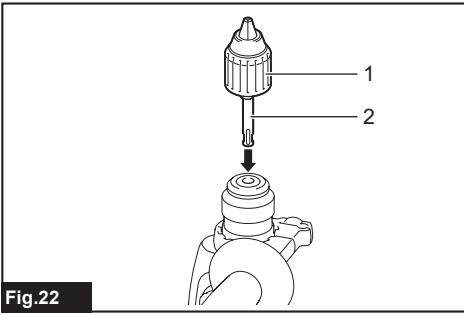


Fig.21



SPECIFICATIONS

Model:		HR1840	HR1841F
Capacities	Concrete	18 mm	
	Core bit	35 mm	
	Diamond core bit (dry type)	65 mm	
	Steel	13 mm	
	Wood	24 mm	
No load speed		0 - 2,100 min ⁻¹	
Blows per minute		0 - 4,800 min ⁻¹	
Overall length		285 mm	
Net weight		2.0 - 2.4 kg	2.0 - 2.5 kg
Safety class		□/II	

- Due to our continuing program of research and development, the specifications herein are subject to change without notice.
- Specifications may differ from country to country.
- The weight may differ depending on the attachment(s). The lightest and heaviest combination, according to EPTA-Procedure 01/2014, are shown in the table.

Intended use

The tool is intended for hammer drilling and drilling in brick, concrete and stone. It is also suitable for drilling without impact in wood, metal, ceramic and plastic.

Power supply

The tool should be connected only to a power supply of the same voltage as indicated on the nameplate, and can only be operated on single-phase AC supply. They are double-insulated and can, therefore, also be used from sockets without earth wire.

Noise

The typical A-weighted noise level determined according to EN60745:

Model HR1840

Sound pressure level (L_{pA}) : 87 dB(A)

Sound power level (L_{WA}) : 98 dB (A)

Uncertainty (K) : 3 dB(A)

Model HR1841F

Sound pressure level (L_{pA}) : 87 dB(A)

Sound power level (L_{WA}) : 98 dB (A)

Uncertainty (K) : 3 dB(A)

▲WARNING: Wear ear protection.

Vibration

The vibration total value (tri-axial vector sum) determined according to EN60745:

Model HR1840

Work mode: hammer drilling into concrete

Vibration emission (a_{h,HD}): 10.0 m/s²

Uncertainty (K) : 1.5 m/s²

Work mode: drilling into metal

Vibration emission (a_{h,D}): 3.0 m/s²

Uncertainty (K) : 1.5 m/s²

Model HR1841F

Work mode: hammer drilling into concrete

Vibration emission (a_{h,HD}): 7.5 m/s²

Uncertainty (K) : 1.5 m/s²

Work mode: drilling into metal

Vibration emission (a_{h,D}): 3.0 m/s²

Uncertainty (K) : 1.5 m/s²

NOTE: The declared vibration emission value has been measured in accordance with the standard test method and may be used for comparing one tool with another.

NOTE: The declared vibration emission value may also be used in a preliminary assessment of exposure.

▲WARNING: The vibration emission during actual use of the power tool can differ from the declared emission value depending on the ways in which the tool is used.

▲WARNING: Be sure to identify safety measures to protect the operator that are based on an estimation of exposure in the actual conditions of use (taking account of all parts of the operating cycle such as the times when the tool is switched off and when it is running idle in addition to the trigger time).

EC Declaration of Conformity

For European countries only

The EC declaration of conformity is included as Annex A to this instruction manual.

SAFETY WARNINGS

General power tool safety warnings

⚠ WARNING: Read all safety warnings, instructions, illustrations and specifications provided with this power tool. Failure to follow all instructions listed below may result in electric shock, fire and/or serious injury.

Save all warnings and instructions for future reference.

The term "power tool" in the warnings refers to your mains-operated (corded) power tool or battery-operated (cordless) power tool.

ROTARY HAMMER SAFETY WARNINGS

1. **Wear ear protectors.** Exposure to noise can cause hearing loss.
2. **Use auxiliary handle(s), if supplied with the tool.** Loss of control can cause personal injury.
3. **Hold power tool by insulated gripping surfaces, when performing an operation where the cutting accessory may contact hidden wiring or its own cord.** Cutting accessory contacting a "live" wire may make exposed metal parts of the power tool "live" and could give the operator an electric shock.
4. **Wear a hard hat (safety helmet), safety glasses and/or face shield.** Ordinary eye or sun glasses are **NOT** safety glasses. It is also highly recommended that you wear a dust mask and thickly padded gloves.
5. **Be sure the bit is secured in place before operation.**
6. **Under normal operation, the tool is designed to produce vibration.** The screws can come loose easily, causing a breakdown or accident. Check tightness of screws carefully before operation.
7. **In cold weather or when the tool has not been used for a long time, let the tool warm up for a while by operating it under no load.** This will loosen up the lubrication. Without proper warm-up, hammering operation is difficult.
8. **Always be sure you have a firm footing.** Be sure no one is below when using the tool in high locations.
9. **Hold the tool firmly with both hands.**
10. **Keep hands away from moving parts.**
11. **Do not leave the tool running.** Operate the tool only when hand-held.
12. **Do not point the tool at any one in the area when operating.** The bit could fly out and injure someone seriously.
13. **Do not touch the bit, parts close to the bit, or workpiece immediately after operation;** they may be extremely hot and could burn your skin.
14. **Some material contains chemicals which may be toxic.** Take caution to prevent dust inhalation and skin contact. Follow material supplier safety data.
15. **Do not touch the power plug with wet hands.**

SAVE THESE INSTRUCTIONS.

⚠ WARNING: DO NOT let comfort or familiarity with product (gained from repeated use) replace strict adherence to safety rules for the subject product. MISUSE or failure to follow the safety rules stated in this instruction manual may cause serious personal injury.

FUNCTIONAL DESCRIPTION

⚠ CAUTION: Always be sure that the tool is switched off and unplugged before adjusting or checking function on the tool.

Switch action

⚠ CAUTION: Before plugging in the tool, always check to see that the switch trigger actuates properly and returns to the "OFF" position when released.

⚠ CAUTION: Switch can be locked in "ON" position for ease of operator comfort during extended use. Apply caution when locking tool in "ON" position and maintain firm grasp on tool.

► Fig.1: 1. Switch trigger 2. Lock button

To start the tool, simply pull the switch trigger. Tool speed is increased by increasing pressure on the switch trigger. Release the switch trigger to stop.

For continuous operation, pull the switch trigger, push in the lock button and then release the switch trigger. To stop the tool from the locked position, pull the switch trigger fully, then release it.

Lighting up the front lamp

For HR1841F

► Fig.2: 1. Switch trigger 2. Lamp

⚠ CAUTION: Do not look in the light or see the source of light directly.

To turn on the lamp, pull the switch trigger. Release the switch trigger to turn it off.

NOTICE: Do not use thinner or gasoline to clean the lamp. Such solvents may damage it.

NOTE: Use a dry cloth to wipe the dirt off the lens of the lamp. Be careful not to scratch the lens of lamp, or it may lower the illumination.

Reversing switch action

⚠ CAUTION: Always check the direction of rotation before operation.

NOTICE: Use the reversing switch only after the tool comes to a complete stop. Changing the direction of rotation before the tool stops may damage the tool.

NOTICE: When changing the direction of rotation, be sure to fully set the reversing switch to position ◁ (A side) or ▷ (B side). Otherwise, when the switch trigger is pulled, the motor may not rotate or the tool may not work properly.

► Fig.3: 1. Reversing switch lever


This tool has a reversing switch to change the direction of rotation. Move the reversing switch lever to the position ◁ (A side) for clockwise rotation or to the position ▷ (B side) for counterclockwise rotation.

Selecting the action mode

NOTICE: Do not rotate the action mode changing knob when the tool is running. The tool will be damaged.

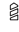
NOTICE: To avoid rapid wear on the mode change mechanism, be sure that the action mode changing knob is always positively located in one of the action mode positions.

Rotation with hammering

For drilling in concrete, masonry, etc., rotate the action mode changing knob to the  symbol. Use a carbide-tipped drill bit.

► Fig.4: 1. Action mode changing knob

Rotation only

For drilling in wood, metal or plastic materials, rotate the action mode changing knob to the  symbol. Use a twist drill bit or wood drill bit.

► Fig.5: 1. Action mode changing knob

Torque limiter

NOTICE: As soon as the torque limiter actuates, switch off the tool immediately. This will help prevent premature wear of the tool.

NOTICE: Drill bits such as hole saw, which tend to pinch or catch easily in the hole, are not appropriate for this tool. This is because they will cause the torque limiter to actuate too frequently.

The torque limiter will actuate when a certain torque level is reached. The motor will disengage from the output shaft. When this happens, the drill bit will stop turning.

ASSEMBLY

CAUTION: Always be sure that the tool is switched off and unplugged before carrying out any work on the tool.

Side grip (auxiliary handle)

CAUTION: Always use the side grip to ensure safe operation.

CAUTION: After installing or adjusting the side grip, make sure that the side grip is firmly secured.

Install the side grip so that the grooves on the grip fit in the protrusions on the tool barrel. Turn the grip clockwise to secure it. The grip can be fixed at desired angle.

► Fig.6: 1. Side grip

Grease

Coat the shank end of the drill bit beforehand with a small amount of grease (about 0.5 - 1 g). This chuck lubrication assures smooth action and longer service life.

Installing or removing drill bit

Clean the shank end of the drill bit and apply grease before installing the drill bit.

► Fig.7: 1. Shank end 2. Grease

Insert the drill bit into the tool. Turn the drill bit and push it in until it engages.

After installing the drill bit, always make sure that the drill bit is securely held in place by trying to pull it out.

► Fig.8: 1. Drill bit

To remove the drill bit, pull the chuck cover down all the way and pull the drill bit out.

► Fig.9: 1. Drill bit 2. Chuck cover

Depth gauge

The depth gauge is convenient for drilling holes of uniform depth. Loosen the side grip and insert the depth gauge into the hole on the side grip. Adjust the depth gauge to the desired depth and tighten the side grip firmly.

► Fig.10: 1. Hole 2. Depth gauge

NOTE: Make sure that the depth gauge does not touch the main body of the tool when attaching it.

Dust cup (optional accessory)

Use the dust cup to prevent dust from falling over the tool and on yourself when performing overhead drilling operations. Attach the dust cup to the bit as shown in the figure. The size of bits which the dust cup can be attached to is as follows.

Model	Bit diameter
Dust cup 5	6 mm - 14.5 mm
Dust cup 9	12 mm - 16 mm

► Fig.11: 1. Dust cup

Dust cup set (optional accessory)

NOTICE: If you purchase the dust cup set as optional accessory, the standard side grip cannot be used with the dust cup set being installed on the tool. When the dust cup set is installed on the tool, remove the grip from the standard side grip, and then attach it to the optional grip base set.

► Fig.12: 1. Bolt 2. Grip 3. Optional grip base set

NOTICE: Do not use the dust cup set when drilling in metal or similar. It may damage the dust cup set due to the heat produced by small metal dust or similar. Do not install or remove the dust cup set with the drill bit installed in the tool. It may damage the dust cup set and cause dust leak.

Before installing the dust cup set, remove the bit from the tool if installed.

Install the spacer so that the grooves on the spacer fit in the protrusions on the tool barrel while widening it. Be careful for the spring not to come off from the slit of spacer.

► Fig.13: 1. Spacer 2. Spring

► Fig.14

Install the side grip (optional grip base set and the grip removed from standard side grip) so that the groove on the grip fit in the protrusion on the spacer. Turn the grip clockwise to secure it.

► Fig.15: 1. Side grip

Install the dust cup set so that the claws of the dust cup fit in the slits on the spacer.

► Fig.16: 1. Dust cup 2. Claw

NOTE: If you connect a vacuum cleaner to the dust cup set, remove the dust cap before connecting it.

► Fig.17: 1. Dust cap

To remove the drill bit, pull the chuck cover down all the way and pull the drill bit out.

► Fig.18: 1. Bit 2. Chuck cover

To remove the dust cup set, hold the root of dust cup and pull it out.

► Fig.19

NOTE: If the cap comes off from the dust cup, attach it with its printed side facing up so that groove on the cap fits in the inside periphery of the attachment.

► Fig.20

OPERATION


CAUTION: Always use the side grip (auxiliary handle) and firmly hold the tool by both side grip and switch handle during operations.

CAUTION: Always make sure that the work-piece is secured before operation.

► Fig.21

Hammer drilling operation

CAUTION: There is tremendous and sudden twisting force exerted on the tool/drill bit at the time of hole break-through, when the hole becomes clogged with chips and particles, or when striking reinforcing rods embedded in the concrete. **Always use the side grip (auxiliary handle) and firmly hold the tool by both side grip and switch handle during operations.** Failure to do so may result in the loss of control of the tool and potentially severe injury.

Set the action mode changing knob to the  symbol. Position the drill bit at the desired location for the hole, then pull the switch trigger. Do not force the tool. Light pressure gives best results. Keep the tool in position and prevent it from slipping away from the hole.

Do not apply more pressure when the hole becomes clogged with chips or particles. Instead, run the tool at an idle, then remove the drill bit partially from the hole. By repeating this several times, the hole will be cleaned out and normal drilling may be resumed.

NOTE: Eccentricity in the drill bit rotation may occur while operating the tool with no load. The tool automatically centers itself during operation. This does not affect the drilling precision.

Drilling in wood or metal


CAUTION: Hold the tool firmly and exert care when the drill bit begins to break through the workpiece. There is a tremendous force exerted on the tool/drill bit at the time of hole break through.

CAUTION: A stuck drill bit can be removed simply by setting the reversing switch to reverse rotation in order to back out. However, the tool may back out abruptly if you do not hold it firmly.

CAUTION: Always secure workpieces in a vise or similar hold-down device.

NOTICE: Never use "rotation with hammering" when the drill chuck is installed on the tool. The drill chuck may be damaged. Also, the drill chuck will come off when reversing the tool.

NOTICE: Pressing excessively on the tool will not speed up the drilling. In fact, this excessive pressure will only serve to damage the tip of your drill bit, decrease the tool performance and shorten the service life of the tool.

Set the action mode changing knob to the  symbol. Attach the chuck adapter to a keyless drill chuck to which 1/2"-20 size screw can be installed, and then install them to the tool. When installing it, refer to the section "Installing or removing drill bit".

► Fig.22: 1. Keyless drill chuck 2. Chuck adapter

Blow-out bulb

Optional accessory

After drilling the hole, use the blow-out bulb to clean the dust out of the hole.

► Fig.23

Using dust cup set

Optional accessory

Fit the dust cup set against the ceiling when operating the tool.

► Fig.24

NOTICE: Do not use the dust cup set when drilling in metal or similar. It may damage the dust cup set due to the heat produced by small metal dust or similar.

NOTICE: Do not install or remove the dust cup set with the drill bit installed in the tool. It may damage the dust cup set and cause dust leak.

MAINTENANCE

CAUTION: Always be sure that the tool is switched off and the battery cartridge is removed before attempting to perform inspection or maintenance.

NOTICE: Never use gasoline, benzine, thinner, alcohol or the like. Discoloration, deformation or cracks may result.

To maintain product SAFETY and RELIABILITY, repairs, any other maintenance or adjustment should be performed by Makita Authorized or Factory Service Centers, always using Makita replacement parts.

OPTIONAL ACCESSORIES

CAUTION: These accessories or attachments are recommended for use with your Makita tool specified in this manual. The use of any other accessories or attachments might present a risk of injury to persons. Only use accessory or attachment for its stated purpose.

If you need any assistance for more details regarding these accessories, ask your local Makita Service Center.

- Carbide-tipped drill bits (SDS-Plus carbide-tipped bits)
- Core bit
- Diamond core bit
- Chuck adapter
- Keyless drill chuck
- Bit grease
- Depth gauge
- Blow-out bulb
- Dust cup
- Dust cup set
- Grip base set
- Safety goggles
- Plastic carrying case

NOTE: Some items in the list may be included in the tool package as standard accessories. They may differ from country to country.

SPÉCIFICATIONS

Modèle :		HR1840	HR1841F
Capacités	Béton	18 mm	
	Trépan	35 mm	
	Trépan diamant (type sec)	65 mm	
	Acier	13 mm	
	Bois	24 mm	
Vitesse à vide		0 à 2 100 min ⁻¹	
Frappes par minute		0 à 4 800 min ⁻¹	
Longueur totale		285 mm	
Poids net		2,0 à 2,4 kg	2,0 à 2,5 kg
Catégorie de sécurité		□/II	

- Étant donné l'évolution constante de notre programme de recherche et de développement, les spécifications contenues dans ce manuel sont sujettes à modification sans préavis.
- Les spécifications peuvent varier suivant les pays.
- Le poids peut être différent selon les accessoires. Les associations la plus légère et la plus lourde, conformément à la procédure EPTA 01/2014, sont indiquées dans le tableau.

Utilisation prévue

L'outil est conçu pour le perçage avec martelage et le perçage dans la brique, le béton et la pierre. Il convient également au perçage sans impact dans le bois, le métal, la céramique et le plastique.

Alimentation

L'outil ne devra être raccordé qu'à une alimentation de la même tension que celle qui figure sur la plaque signalétique, et il ne pourra fonctionner que sur un courant secteur monophasé. Réalisé avec une double isolation, il peut de ce fait être alimenté par une prise sans mise à la terre.

Bruit

Niveau de bruit pondéré A typique, déterminé selon EN60745 :

Modèle HR1840

Niveau de pression sonore (L_{pA}) : 87 dB (A)
 Niveau de puissance sonore (L_{WA}) : 98 dB (A)
 Incertitude (K) : 3 dB (A)

Modèle HR1841F

Niveau de pression sonore (L_{pA}) : 87 dB (A)
 Niveau de puissance sonore (L_{WA}) : 98 dB (A)
 Incertitude (K) : 3 dB (A)

AVERTISSEMENT : Portez un serre-tête antibruit.

Vibrations

Valeur totale de vibrations (somme de vecteur triaxial) déterminée selon EN60745 :

Modèle HR1840

Mode de travail : perçage avec martelage dans le béton

Émission de vibrations ($a_{h,HD}$) : 10,0 m/s²
 Incertitude (K) : 1,5 m/s²

Mode de travail : perçage dans le métal

Émission de vibrations ($a_{h,D}$) : 3,0 m/s²

Incertitude (K) : 1,5 m/s²

Modèle HR1841F

Mode de travail : perçage avec martelage dans le béton

Émission de vibrations ($a_{h,HD}$) : 7,5 m/s²

Incertitude (K) : 1,5 m/s²

Mode de travail : perçage dans le métal

Émission de vibrations ($a_{h,D}$) : 3,0 m/s²

Incertitude (K) : 1,5 m/s²

NOTE : La valeur d'émission de vibrations déclarée a été mesurée conformément à la méthode de test standard et peut être utilisée pour comparer les outils entre eux.

NOTE : La valeur d'émission de vibrations déclarée peut aussi être utilisée pour l'évaluation préliminaire de l'exposition.

AVERTISSEMENT : L'émission de vibrations lors de l'usage réel de l'outil électrique peut être différente de la valeur d'émission déclarée, suivant la façon dont l'outil est utilisé.

AVERTISSEMENT : Les mesures de sécurité à prendre pour protéger l'utilisateur doivent être basées sur une estimation de l'exposition dans des conditions réelles d'utilisation (en tenant compte de toutes les composantes du cycle d'utilisation, comme par exemple le moment de sa mise hors tension, lorsqu'il tourne à vide et le moment de son déclenchement).

Déclaration de conformité CE

Pour les pays européens uniquement

La déclaration de conformité CE est fournie en Annexe A à ce mode d'emploi.

CONSIGNES DE SÉCURITÉ

Consignes de sécurité générales pour outils électriques

⚠️ AVERTISSEMENT : Veuillez lire les consignes de sécurité, instructions, illustrations et spécifications qui accompagnent cet outil électrique. Le non-respect de toutes les instructions indiquées ci-dessous peut entraîner une électrocution, un incendie et/ou de graves blessures.

Conservez toutes les mises en garde et instructions pour référence ultérieure.

Le terme « outil électrique » dans les avertissements fait référence à l'outil électrique alimenté par le secteur (avec cordon d'alimentation) ou à l'outil électrique fonctionnant sur batterie (sans cordon d'alimentation).

CONSIGNES DE SÉCURITÉ POUR LE MARTEAU PERFORATEUR

1. **Portez des protecteurs d'oreilles.** L'exposition au bruit peut entraîner la surdité.
2. **Utilisez la ou les poignées auxiliaires, si l'outil en possède.** Toute perte de maîtrise de l'outil comporte un risque de blessure.
3. **Tenez l'outil électrique par une surface de prise isolée, lorsque vous effectuez une tâche où l'accessoire de coupe pourrait toucher un câblage caché ou son propre cordon d'alimentation.** Le contact de l'accessoire de coupe avec un fil sous tension peut transmettre du courant dans les pièces métalliques exposées de l'outil et électrocuter l'opérateur.
4. **Portez un casque de sécurité (casque de chantier), des lunettes de sécurité et/ou un écran facial. Les lunettes de vue ou les lunettes de soleil NE sont PAS des lunettes de sécurité. Il est également vivement recommandé de porter un masque anti-poussière et des gants matelassés.**
5. **Avant utilisation, assurez-vous que le foret est bien fixé en place.**
6. **Dans des conditions normales de fonctionnement, l'outil est conçu pour émettre des vibrations. Les vis peuvent se desserrer facilement et provoquer une panne ou un accident. Avant utilisation, vérifiez soigneusement que les vis sont bien serrées.**
7. **Par temps froid ou si l'outil n'a pas été utilisé pendant longtemps, laissez-le chauffer un instant en le faisant fonctionner à vide. Cela ramollira le lubrifiant. Si vous ne chauffez pas adéquatement l'outil, le martelage s'exécutera difficilement.**

8. **Assurez-vous toujours de travailler en position stable. Veillez à ce que personne ne se trouve en dessous de vous quand vous utilisez l'outil en hauteur.**
9. **Tenez l'outil fermement à deux mains.**
10. **Éloignez les mains des pièces en mouvement.**
11. **Ne vous éloignez pas en laissant l'outil tourner. Ne le faites fonctionner que lorsque vous l'avez bien en main.**
12. **Ne pointez l'outil vers personne dans la zone d'utilisation. Le foret peut être projeté et blesser gravement quelqu'un.**
13. **Ne touchez pas le foret, les pièces situées près du foret ou la pièce immédiatement après utilisation ; ils peuvent être extrêmement chauds et vous brûler la peau.**
14. **Certains matériaux contiennent des produits chimiques qui peuvent être toxiques. Prenez garde de ne pas avaler la poussière et évitez tout contact avec la peau. Suivez les données de sécurité du fournisseur du matériau.**
15. **Ne touchez pas la prise d'alimentation avec des mains humides.**

CONSERVEZ CES INSTRUCTIONS.

⚠️ AVERTISSEMENT : NE vous laissez PAS tromper (au fil d'une utilisation répétée) par un sentiment d'aisance et de familiarité avec le produit, en négligeant le respect rigoureux des consignes de sécurité qui accompagnent le produit en question. La MAUVAISE UTILISATION de l'outil ou l'ignorance des consignes de sécurité indiquées dans ce mode d'emploi peut entraîner de graves blessures.

DESCRIPTION DU FONCTIONNEMENT

ATTENTION : Assurez-vous toujours que l'outil est hors tension et débranché avant de l'ajuster ou de vérifier son fonctionnement.

Fonctionnement de la gâchette

ATTENTION : Avant de brancher l'outil, assurez-vous toujours que la gâchette fonctionne correctement et revient en position d'arrêt une fois relâchée.

ATTENTION : L'interrupteur peut être verrouillé sur la position « Marche » pour améliorer le confort de l'utilisateur pendant une utilisation prolongée. Soyez prudent lorsque vous verrouillez l'outil sur la position « Marche » et tenez-le fermement.

► Fig.1: 1. Gâchette 2. Bouton de sécurité

Il suffit d'enclencher la gâchette pour démarrer l'outil. La vitesse de l'outil augmente à mesure que l'on accroît la pression exercée sur la gâchette. Pour l'arrêter, relâchez la gâchette.

Pour un fonctionnement continu, enclenchez la gâchette et poussez le bouton de verrouillage, puis relâchez la gâchette. Pour arrêter l'outil sur la position verrouillée, enclenchez à fond la gâchette puis relâchez-la.

Allumage de la lampe avant

Pour le HR1841F

► Fig.2: 1. Gâchette 2. Lampe

ATTENTION : Évitez de regarder directement le faisceau lumineux ou sa source.

Pour allumer la lampe, enclenchez la gâchette. Pour l'éteindre, relâchez la gâchette.

REMARQUE : N'utilisez pas de diluant ou d'essence pour nettoyer la lampe. Ces solvants risquent de l'endommager.

NOTE : Retirez la saleté sur la lentille de la lampe avec un chiffon sec. Prenez soin de ne pas érafler la lentille de la lampe sous peine de diminuer son éclairage.

Fonctionnement de l'inverseur

ATTENTION : Vérifiez toujours le sens de rotation avant d'utiliser l'outil.

REMARQUE : N'utilisez l'inverseur qu'une fois que l'outil est complètement arrêté. Si vous changez le sens de rotation avant l'arrêt de l'outil, vous risquez de l'endommager.

REMARQUE : Lors du changement du sens de rotation, veillez à régler complètement l'inverseur sur la position ◁ (côté A) ou ▷ (côté B). Autrement, à l'enclenchement de la gâchette, le moteur risque de ne pas tourner ou l'outil risque de ne pas fonctionner correctement.

► Fig.3: 1. Levier de l'inverseur

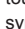
Cet outil est équipé d'un inverseur permettant de changer le sens de rotation. Déplacez le levier inverseur sur la position ◁ (côté A) pour une rotation dans le sens des aiguilles d'une montre ou sur la position ▷ (côté B) pour une rotation dans le sens inverse des aiguilles d'une montre.

Sélection du mode de fonctionnement

REMARQUE : Ne tournez pas le bouton de changement de mode pendant que l'outil fonctionne. L'outil serait endommagé.


REMARQUE : Pour éviter que le mécanisme de changement de mode ne s'use rapidement, vous devez toujours vous assurer que le bouton de changement de mode est placé avec exactitude sur l'une des positions du mode de fonctionnement.

Rotation avec martelage

Pour percer dans le béton, de la maçonnerie, etc., tournez le bouton de changement de mode jusqu'au symbole . Utilisez un foret à pointe de carbure.

► Fig.4: 1. Bouton de changement de mode

Rotation uniquement

Pour percer dans le bois, le métal ou des matériaux en plastique, tournez le bouton de changement de mode jusqu'au symbole . Utilisez un foret hélicoïdal ou à bois.

► Fig.5: 1. Bouton de changement de mode

Limiteur de couple

REMARQUE : Si le limiteur de couple se déclenche, éteignez immédiatement l'outil. Ceci permettra d'éviter l'usure prématurée de l'outil.

REMARQUE : Les forets, comme les scies cloches qui ont tendance à se coincer ou se prendre facilement dans le trou, ne sont pas appropriés pour cet outil. Ils déclenchent trop fréquemment le limiteur de couple.

Le limiteur de couple se déclenche lorsqu'un certain niveau de couple est atteint. Le moteur se dégage de l'arbre de sortie. Dans ce cas, le foret cesse de tourner.

ASSEMBLAGE

⚠ ATTENTION : Avant d'effectuer toute intervention sur l'outil, assurez-vous toujours qu'il est hors tension et débranché.

Poignée latérale (poignée auxiliaire)

⚠ ATTENTION : Utilisez toujours la poignée latérale pour garantir votre sécurité.

⚠ ATTENTION : Après avoir mis en place ou réglé la poignée latérale, assurez-vous qu'elle est solidement fixée.

Installez la poignée latérale de sorte que les rainures de la poignée pénètrent dans les parties saillantes du barillet de l'outil. Tournez la poignée dans le sens des aiguilles d'une montre pour la serrer en place. La poignée peut être fixée à l'angle souhaité.

► Fig.6: 1. Poignée latérale

Graisse

Enduisez au préalable l'extrémité de la tige du foret avec une petite quantité de graisse (environ 0,5 à 1 g). Cette lubrification du mandrin garantit un mouvement fluide et prolonge la durée de vie utile.

Pose ou retrait du foret

Nettoyez l'extrémité de la tige du foret et appliquez de la graisse avant de poser le foret.

► Fig.7: 1. Extrémité de la tige 2. Graisse

Insérez le foret dans l'outil. Tournez le foret et enfoncez-le jusqu'à ce qu'il s'engage.

Après avoir posé le foret, assurez-vous toujours qu'il est solidement maintenu en place en essayant de le sortir.

► Fig.8: 1. Foret

Pour retirer le foret, tirez le carter du mandrin à fond vers le bas puis dégagez le foret.

► Fig.9: 1. Foret 2. Carter du mandrin

Jauge de profondeur

La jauge de profondeur est utile pour percer des trous de même profondeur. Desserrez la poignée latérale et insérez la jauge de profondeur dans l'orifice sur la poignée latérale. Réglez la jauge de profondeur sur la profondeur désirée et serrez fermement la poignée latérale.

► Fig.10: 1. Orifice 2. Jauge de profondeur

NOTE : Assurez-vous que la jauge de profondeur n'entre pas en contact avec le corps principal de l'outil lorsque vous la fixez.

Collecteur de poussières (accessoire en option)

Utilisez le collecteur de poussières pour éviter que la poussière ne tombe sur l'outil et sur vous-même lorsque vous percez au-dessus de votre tête. Fixez le collecteur de poussières au foret comme illustré sur la figure. Le collecteur de poussières peut être fixé aux forets des tailles suivantes.

Modèle	Diamètre du foret
Collecteur de poussières 5	6 mm à 14,5 mm
Collecteur de poussières 9	12 mm à 16 mm

► Fig.11: 1. Collecteur de poussières

Ensemble du collecteur de poussières (accessoire en option)

REMARQUE : Si vous achetez l'ensemble du collecteur de poussières en tant qu'accessoire en option, la poignée latérale standard ne peut pas être utilisée avec l'ensemble du collecteur de poussières installé sur l'outil. Lorsque l'ensemble du collecteur de poussières est installé sur l'outil, retirez la poignée de la poignée latérale standard, puis fixez-la sur l'ensemble poignée en option.

► Fig.12: 1. Boulon 2. Poignée 3. Ensemble poignée en option

REMARQUE : N'utilisez pas l'ensemble du collecteur de poussières lorsque vous percez dans le métal ou un matériau similaire. Vous risqueriez d'endommager l'ensemble du collecteur de poussières en raison de la chaleur produite par les petites poussières métalliques ou similaires. N'installez pas, ni ne retirez l'ensemble du collecteur de poussières avec le foret inséré sur l'outil. Vous risqueriez d'endommager l'ensemble du collecteur de poussières et de provoquer une fuite de la poussière.

Avant d'installer l'ensemble du collecteur de poussières, retirez le foret de l'outil le cas échéant. Installez l'entretoise de sorte que les rainures de l'entretoise pénètrent dans les parties saillantes du barillet de l'outil lorsque vous l'écartez. Prenez garde que le ressort ne se détache pas de la fente de l'entretoise.

► Fig.13: 1. Entretoise 2. Ressort

► Fig.14

Installez la poignée latérale (ensemble poignée en option et poignée retirée de la poignée latérale standard) de sorte que la rainure de la poignée pénètre dans la partie saillante de l'entretoise. Tournez la poignée dans le sens des aiguilles d'une montre pour la serrer en place.

► Fig.15: 1. Poignée latérale

Installez l'ensemble du collecteur de poussières de sorte que les griffes du collecteur de poussières pénètrent dans les fentes de l'entretoise.

► Fig.16: 1. Collecteur de poussières 2. Griffes

NOTE : Si vous raccordez un aspirateur à l'ensemble du collecteur de poussières, retirez le bouchon à poussière avant de le raccorder.

► Fig.17: 1. Bouchon à poussière

Pour retirer le foret, tirez le carter du mandrin à fond vers le bas puis dégagez le foret.

► Fig.18: 1. Foret 2. Carter du mandrin

Pour retirer l'ensemble du collecteur de poussières, tenez la base du collecteur de poussières et sortez-le.

► Fig.19

NOTE : Si le bouchon se détache du collecteur de poussières, fixez-le avec le côté imprimé tourné vers le haut de sorte que la rainure sur le bouchon s'insère dans la périphérie interne de l'accessoire.

► Fig.20

UTILISATION


ATTENTION : Utilisez toujours la poignée latérale (poignée auxiliaire) et saisissez l'outil fermement par la poignée latérale et la poignée pistolet pendant l'utilisation.

ATTENTION : Avant l'utilisation, assurez-vous toujours que la pièce est bien fixée.

► Fig.21

Perçage avec percussion

ATTENTION : Une très grande force de torsion s'exerce soudainement sur l'outil ou le foret lorsqu'il émerge sur la face opposée, lorsque le trou est bouché par des copeaux ou particules ou lors du contact avec des armatures dans le béton. **Utilisez toujours la poignée latérale (poignée auxiliaire) et saisissez l'outil fermement par la poignée latérale et la poignée pistolet pendant l'utilisation.** Si vous ne suivez pas cette directive, vous risquerez de perdre la maîtrise de l'outil et de vous blesser grièvement.

Réglez le bouton de changement de mode sur le symbole .

Placez le foret à l'emplacement désiré pour percer le trou, puis enclenchez la gâchette. Ne forcez pas l'outil. Vous obtiendrez de meilleurs résultats avec une légère pression. Gardez l'outil en position et empêchez-le de glisser hors du trou.

N'appliquez pas plus de pression lorsque le trou est bouché par des copeaux ou particules. Laissez plutôt l'outil tourner au ralenti et retirez partiellement le foret du trou. En répétant cette opération plusieurs fois, le trou se débouchera et vous pourrez reprendre le perçage normalement.

NOTE : Lorsque l'outil fonctionne à vide, il se peut que le foret tourne de manière excentrique. L'outil se centrera lui-même automatiquement lors de l'utilisation avec charge. La précision du perçage n'est donc pas affectée.

Perçage dans le bois ou le métal

ATTENTION : Tenez l'outil fermement et redoublez d'attention lorsque le foret commence à sortir par la face opposée de la pièce. Une très grande force s'exerce sur l'outil/foret lorsque celui-ci émerge sur la face opposée.


ATTENTION : Un foret coincé peut être retiré en réglant simplement l'inverseur sur la rotation inverse pour faire marche arrière. L'outil peut toutefois faire brusquement marche arrière si vous ne le tenez pas fermement.

ATTENTION : Immobilisez toujours les pièces à travailler dans un étau ou un dispositif de retenue similaire.

REMARQUE : N'utilisez jamais la « rotation avec martelage » lorsque le mandrin à foret est installé sur l'outil. Le mandrin à foret risquerait d'être endommagé.

De plus, le mandrin à foret se détacherait lors de l'inversion de la rotation de l'outil.

REMARQUE : Une pression excessive sur l'outil n'accéléra pas le perçage. En fait, la pression excessive abîmera la pointe du foret, provoquera une baisse de rendement de l'outil et réduira sa durée de service.

Réglez le bouton de changement de mode sur le symbole .

Fixez l'adaptateur de mandrin sur un mandrin à foret sans clé sur lequel peut être installée une vis de type 1/2"-20, puis installez-les sur l'outil. Pour l'installer, reportez-vous à la section « Pose ou retrait du foret ».

► Fig.22: 1. Mandrin à foret sans clé 2. Adaptateur de mandrin

Poire soufflante

Accessoire en option

Une fois le trou percé, utilisez la poire soufflante pour en retirer la poussière.

► Fig.23

Utilisation de l'ensemble du collecteur de poussières

Accessoire en option

Appuyez l'ensemble du collecteur de poussières contre le plafond lorsque vous utilisez l'outil.

► Fig.24

REMARQUE : N'utilisez pas l'ensemble du collecteur de poussières pour le perçage du métal ou d'une matière similaire. Cela pourrait détériorer l'ensemble du collecteur de poussières en raison de la chaleur générée par les petites poussières métalliques ou similaires.

REMARQUE : N'installez pas ou ne retirez pas l'ensemble du collecteur de poussières avec le foret installé dans l'outil. Cela pourrait détériorer l'ensemble du collecteur de poussières et entraîner une fuite des poussières.

ENTRETIEN

ATTENTION : Assurez-vous toujours que l'outil est hors tension et que la batterie est retirée avant d'y effectuer tout travail d'inspection ou d'entretien.

REMARQUE : N'utilisez jamais d'essence, benzine, diluant, alcool ou autre produit similaire. Cela risquerait de provoquer la décoloration, la déformation ou la fissuration de l'outil.

Pour assurer la SÉCURITÉ et la FIABILITÉ du produit, toute réparation, tout travail d'entretien ou de réglage doivent être effectués par un centre d'entretien Makita agréé, avec des pièces de rechange Makita.

ACCESSOIRES EN OPTION

ATTENTION : Ces accessoires ou pièces complémentaires sont recommandés pour l'utilisation avec l'outil Makita spécifié dans ce mode d'emploi. L'utilisation de tout autre accessoire ou pièce complémentaire peut comporter un risque de blessure. N'utilisez les accessoires ou pièces complémentaires qu'aux fins auxquelles ils ont été conçus.

Pour obtenir plus de détails sur ces accessoires, contactez votre centre d'entretien local Makita.

- Forets à pointe de carbure (forets à pointe de carbure SDS-plus)
- Trépan
- Trépan diamant
- Adaptateur de mandrin
- Mandrin à foret sans clé
- Graisse à foret
- Jauge de profondeur
- Poire soufflante
- Collecteur de poussières
- Ensemble du collecteur de poussières
- Ensemble poignée
- Lunettes de sécurité
- Étui de transport en plastique

NOTE : Il se peut que certains éléments de la liste soient compris dans l'emballage de l'outil en tant qu'accessoires standard. Ils peuvent varier d'un pays à l'autre.

TECHNISCHE DATEN

Modell:		HR1840	HR1841F
Kapazitäten	Beton	18 mm	
	Bohrkrone	35 mm	
	Diamant-Bohrkrone (Trockentyp)	65 mm	
	Stahl	13 mm	
	Holz	24 mm	
Leerlaufdrehzahl		0 – 2.100 min ⁻¹	
Schlagzahl pro Minute		0 – 4.800 min ⁻¹	
Gesamtlänge		285 mm	
Nettogewicht		2,0 – 2,4 kg	2,0 – 2,5 kg
Sicherheitsklasse		II/II	

- Wir behalten uns vor, Änderungen der technischen Daten im Zuge der Entwicklung und des technischen Fortschritts ohne vorherige Ankündigung vorzunehmen.
- Die technischen Daten können von Land zu Land unterschiedlich sein.
- Das Gewicht kann abhängig von den Aufsätzen unterschiedlich sein. Die leichteste und die schwerste Kombination, gemäß dem EPTA-Verfahren 01/2014, sind in der Tabelle angegeben.

Vorgesehene Verwendung

Das Werkzeug ist für Hammerbohren und Bohren in Ziegeln, Beton und Stein vorgesehen. Es eignet sich auch für normales Bohren in Holz, Metall, Keramik und Kunststoff.

Stromversorgung

Das Werkzeug sollte nur an eine Stromquelle angeschlossen werden, deren Spannung mit der Angabe auf dem Typenschild übereinstimmt, und kann nur mit Einphasen-Wechselstrom betrieben werden. Diese sind doppelt schutzisoliert und können daher auch an Steckdosen ohne Erdleiter verwendet werden.

Geräusch

Typischer A-bewerteter Geräuschpegel ermittelt gemäß EN60745:

Modell HR1840

Schalldruckpegel (L_{pA}): 87 dB (A)
 Schalleistungspegel (L_{WA}): 98 dB (A)
 Messunsicherheit (K): 3 dB (A)

Modell HR1841F

Schalldruckpegel (L_{pA}): 87 dB (A)
 Schalleistungspegel (L_{WA}): 98 dB (A)
 Messunsicherheit (K): 3 dB (A)

⚠️ WARNUNG: Einen Gehörschutz tragen.

Schwingungen

Schwingungsgesamtwert (Drei-Achsen-Vektorsumme) ermittelt gemäß EN60745:

Modell HR1840

Arbeitsmodus: Hammerbohren in Beton
 Schwingungsemission ($a_{h,HD}$): 10,0 m/s²
 Messunsicherheit (K): 1,5 m/s²

Arbeitsmodus: Bohren in Metall
 Schwingungsemission ($a_{h,D}$): 3,0m/s²
 Messunsicherheit (K): 1,5 m/s²

Modell HR1841F

Arbeitsmodus: Hammerbohren in Beton
 Schwingungsemission ($a_{h,HD}$): 7,5 m/s²
 Messunsicherheit (K): 1,5 m/s²
 Arbeitsmodus: Bohren in Metall
 Schwingungsemission ($a_{h,D}$): 3,0m/s²
 Messunsicherheit (K): 1,5 m/s²

HINWEIS: Der angegebene Schwingungsemissionswert wurde im Einklang mit der Standardprüfmethode gemessen und kann für den Vergleich zwischen Werkzeugen herangezogen werden.

HINWEIS: Der angegebene Schwingungsemissionswert kann auch für eine Vorbewertung des Gefährdungsgrads verwendet werden.

⚠️ WARNUNG: Die Schwingungsemission während der tatsächlichen Benutzung des Werkzeugs kann je nach der Benutzungsweise des Werkzeugs vom angegebenen Emissionswert abweichen.

⚠️ WARNUNG: Identifizieren Sie Sicherheitsmaßnahmen zum Schutz des Benutzers anhand einer Schätzung des Gefährdungsgrads unter den tatsächlichen Benutzungsbedingungen (unter Berücksichtigung aller Phasen des Arbeitszyklus, wie z. B. Ausschalt- und Leerlaufzeiten des Werkzeugs zusätzlich zur Betriebszeit).

EG-Konformitätserklärung

Nur für europäische Länder

Die EG-Konformitätserklärung ist als Anhang A in dieser Bedienungsanleitung enthalten.

SICHERHEITSWARNUNGEN

Allgemeine Sicherheitswarnungen für Elektrowerkzeuge

⚠️ WARNUNG: Lesen Sie alle mit diesem Elektrowerkzeug gelieferten Sicherheitswarnungen, Anweisungen, Abbildungen und technischen Daten durch. Eine Missachtung der unten aufgeführten Anweisungen kann zu einem elektrischen Schlag, Brand und/oder schweren Verletzungen führen.

Bewahren Sie alle Warnungen und Anweisungen für spätere Bezugnahme auf.

Der Ausdruck „Elektrowerkzeug“ in den Warnhinweisen bezieht sich auf Ihr mit Netzstrom (mit Kabel) oder Akku (ohne Kabel) betriebenes Elektrowerkzeug.

SICHERHEITSWARNUNGEN FÜR BOHRHAMMER

1. **Tragen Sie Gehörschützer.** Lärmeinwirkung kann Gehörschädigung verursachen.
2. **Benutzen Sie (einen) Zusatzgriff(e), sofern er (sie) mit dem Werkzeug geliefert wurde(n).** Verlust der Kontrolle kann Personenschäden verursachen.
3. **Halten Sie das Elektrowerkzeug nur an den isolierten Griffflächen, wenn Sie Arbeiten ausführen, bei denen die Gefahr besteht, dass verborgene Kabel oder das eigene Kabel kontaktiert werden.** Bei Kontakt mit einem Strom führenden Kabel können die freiliegenden Metallteile des Elektrowerkzeugs ebenfalls Strom führend werden, so dass der Benutzer einen elektrischen Schlag erleiden kann.
4. **Tragen Sie Schutzhelm, Schutzbrille und/oder Gesichtsschutz. Eine gewöhnliche Brille oder Sonnenbrille ist KEIN Ersatz für eine Schutzbrille. Das Tragen einer Staubmaske und dick gepolsterter Handschuhe ist ebenfalls zu empfehlen.**
5. **Vergewissern Sie sich vor der Arbeit, dass der Einsatz sicher montiert ist.**
6. **Das Werkzeug erzeugt konstruktionsbedingt Vibrationen bei normalem Betrieb. Durch Lockerung von Schrauben kann es zu einem Ausfall oder Unfall kommen. Unterziehen Sie die Schrauben vor der Arbeit einer sorgfältigen Festigkeitsprüfung.**
7. **Lassen Sie das Werkzeug bei niedrigen Temperaturen oder nach längerer Nichtbenutzung eine Zeit lang im Leerlauf warm laufen. Dadurch wird die Schmierung verbessert. Betrieb im kalten Zustand erschwert die Schlagbohrarbeit.**

8. **Achten Sie stets auf sicheren Stand. Vergewissern Sie sich bei Einsatz des Werkzeugs an hochgelegenen Arbeitsplätzen, dass sich keine Personen darunter aufhalten.**
9. **Halten Sie das Werkzeug mit beiden Händen fest.**
10. **Halten Sie Ihre Hände von beweglichen Teilen fern.**
11. **Lassen Sie das Werkzeug nicht unbeaufsichtigt laufen. Benutzen Sie das Werkzeug nur mit Handhaltung.**
12. **Richten Sie das Werkzeug während des Betriebs nicht auf umstehende Personen. Der Einsatz könnte heraus schnellen und schwere Verletzungen verursachen.**
13. **Vermeiden Sie eine Berührung des Einsatzes, der umliegenden Teile oder des Werkstücks unmittelbar nach der Bearbeitung, weil die Teile noch sehr heiß sind und Hautverbrennungen verursachen können.**
14. **Manche Materialien können giftige Chemikalien enthalten. Treffen Sie Vorsichtsmaßnahmen, um das Einatmen von Arbeitsstaub und Hautkontakt zu verhindern. Befolgen Sie die Sicherheitsdaten des Materiallieferanten.**
15. **Fassen Sie den Netzstecker nicht mit nassen Händen an.**

DIESE ANWEISUNGEN AUFBEWAHREN.

⚠️ WARNUNG: Lassen Sie sich NICHT durch Bequemlichkeit oder Vertrautheit mit dem Produkt (durch wiederholten Gebrauch erworben) von der strikten Einhaltung der Sicherheitsregeln für das vorliegende Produkt abhalten. **MISSBRAUCH** oder Missachtung der Sicherheitsvorschriften in dieser Anleitung können schwere Verletzungen verursachen.

FUNKTIONSBESCHREIBUNG

⚠ VORSICHT: Vergewissern Sie sich vor jeder Einstellung oder Funktionsprüfung des Werkzeugs stets, dass es ausgeschaltet und vom Stromnetz getrennt ist.

Schalterfunktion

⚠ VORSICHT: Vergewissern Sie sich vor dem Anschließen des Werkzeugs an das Stromnetz stets, dass der Ein-Aus-Schalter ordnungsgemäß funktioniert und beim Loslassen in die AUS-Stellung zurückkehrt.

⚠ VORSICHT: Der Schalter kann zur Arbeiterleichterung bei längerem Einsatz in der „EIN“-Stellung verriegelt werden. Lassen Sie Vorsicht walten, wenn Sie den Schalter in der „EIN“-Stellung verriegeln, und halten Sie das Werkzeug mit festem Griff.

► **Abb.1:** 1. Ein-Aus-Schalter 2. Einschaltsperrknopf

Drücken Sie zum Einschalten des Werkzeugs einfach den Ein-Aus-Schalter. Die Drehzahl erhöht sich durch verstärkte Druckausübung auf den Ein-Aus-Schalter. Lassen Sie den Ein-Aus-Schalter zum Anhalten los.

Für Dauerbetrieb den Ein-Aus-Schalter betätigen, den Arretierknopf hineindrücken, und dann den Ein-Aus-Schalter loslassen. Zum Ausrasten der Sperre den Ein-Aus-Schalter bis zum Anschlag hineindrücken und dann loslassen.

Einschalten der Frontlampe

Für HR1841F

► **Abb.2:** 1. Auslöseschalter 2. Lampe

⚠ VORSICHT: Blicken Sie nicht direkt in die Lampe oder die Lichtquelle.

Betätigen Sie den Auslöseschalter zum Einschalten der Lampe. Lassen Sie zum Ausschalten den Auslöseschalter los.

ANMERKUNG: Verwenden Sie keinen Verdünnern oder Benzin zum Reinigen der Lampe. Solche Lösungsmittel können die Lampe beschädigen.

HINWEIS: Wischen Sie Schmutz auf der Lampenlinse mit einem trockenen Tuch ab. Achten Sie sorgfältig darauf, dass Sie die Lampenlinse nicht verkratzen, weil sich sonst die Lichtstärke verringert.

Funktion des Drehrichtungsumschalters

⚠ VORSICHT: Prüfen Sie stets die Drehrichtung, bevor Sie mit der Arbeit beginnen.

ANMERKUNG: Betätigen Sie den Drehrichtungsumschalter erst, nachdem das Werkzeug völlig zum Stillstand gekommen ist. Durch Umschalten der Drehrichtung bei noch laufendem Werkzeug kann das Werkzeug beschädigt werden.

ANMERKUNG: Achten Sie beim Ändern der Drehrichtung unbedingt darauf, den Drehrichtungsumschalter vollständig auf die Position ◀ (Seite A) oder ▶ (Seite B) zu stellen. Anderenfalls läuft der Motor beim Betätigen des Auslöseschalters eventuell nicht, oder das Werkzeug funktioniert u. U. nicht ordnungsgemäß.

► **Abb.3:** 1. Drehrichtungsumschalthebel


Dieses Werkzeug besitzt einen Drehrichtungsumschalter. Stellen Sie den Drehrichtungsumschalthebel für Drehung im Uhrzeigersinn auf die Position ◀ (Seite A) oder für Drehung gegen den Uhrzeigersinn auf die Position ▶ (Seite B).

Wahl der Betriebsart

ANMERKUNG: Betätigen Sie den Betriebsart-Umschaltknopf nicht bei laufendem Werkzeug. Das Werkzeug kann sonst beschädigt werden.


ANMERKUNG: Um schnellen Verschleiß des Betriebsartwechselmechanismus zu vermeiden, vergewissern Sie sich, dass sich der Betriebsart-Umschaltknopf immer richtig in einer der Betriebsartpositionen befindet.

Schlagbohren

Für Bohren in Beton, Mauerwerk usw. drehen Sie den Betriebsart-Umschaltknopf auf das Symbol . Verwenden Sie einen Bohrereinsatz mit Hartmetallschneide.

► **Abb.4:** 1. Betriebsart-Umschaltknopf

Bohren

Für Bohren in Holz-, Metall- oder Kunststoffmaterial drehen Sie den Betriebsart-Umschaltknopf auf das Symbol . Verwenden Sie einen Spiralbohrer oder Holzbohrer.

► **Abb.5:** 1. Betriebsart-Umschaltknopf

Drehmomentbegrenzer

ANMERKUNG: Schalten Sie das Werkzeug bei Aktivierung des Drehmomentbegrenzers sofort aus. Dies verhindert vorzeitigen Verschleiß des Werkzeugs.

ANMERKUNG: Bohrereinsätze, wie z. B. eine Lochsäge, die zum Klemmen oder Hängenbleiben in der Bohrung neigen, sind für dieses Werkzeug nicht geeignet. Dies liegt daran, dass sie eine zu häufige Aktivierung des Drehmomentbegrenzers verursachen.

Der Drehmomentbegrenzer wird bei Erreichen eines bestimmten Drehmoments ausgelöst. Der Motor wird von der Ausgangswelle abgekuppelt. Wenn dies eintritt, bleibt der Bohrereinsatz stehen.

MONTAGE

⚠ VORSICHT: Vergewissern Sie sich vor der Ausführung von Arbeiten am Werkzeug stets, dass es ausgeschaltet und vom Stromnetz getrennt ist.

Seitengriff (Zusatzgriff)

⚠ VORSICHT: Verwenden Sie stets den Seitengriff, um sicheren Betrieb zu gewährleisten.

⚠ VORSICHT: Vergewissern Sie sich nach dem Montieren oder Einstellen des Seitengriffs, dass er einwandfrei gesichert ist.

Montieren Sie den Seitengriff so, dass die Vorsprünge am Werkzeuggehäuse in die Nuten des Griffs eingreifen. Drehen Sie den Griff im Uhrzeigersinn, um ihn zu sichern. Der Griff kann in jedem gewünschten Winkel fixiert werden.

► **Abb.6:** 1. Seitengriff

Schmierfett

Tragen Sie vor der Arbeit eine kleine Menge Schmierfett (etwa 0,5 - 1 g) auf das Schaftende des Bohrereinsatzes auf.

Diese Futterschmierung gewährleistet reibungslosen Betrieb und längere Lebensdauer.

Montage und Demontage des Bohrereinsatzes

Reinigen Sie das Schaftende des Bohrereinsatzes, und tragen Sie Schmierfett auf, bevor Sie den Bohrereinsatz montieren.

► **Abb.7:** 1. Schaftende 2. Schmierfett

Führen Sie den Bohrereinsatz in das Werkzeug ein. Drehen Sie den Bohrereinsatz, und drücken Sie ihn hinein, bis er einrastet.

Vergewissern Sie sich nach dem Montieren des Bohrereinsatzes immer, dass der Bohrereinsatz sicher sitzt, indem Sie versuchen, ihn herauszuziehen.

► **Abb.8:** 1. Bohrereinsatz

Um den Bohrereinsatz zu entfernen, ziehen Sie die Futterabdeckung vollständig nach unten, und ziehen Sie den Bohrereinsatz heraus.

► **Abb.9:** 1. Bohrereinsatz 2. Futterabdeckung

Tiefenanschlag

Der Tiefenanschlag ist praktisch, um Löcher von gleicher Tiefe zu bohren. Lösen Sie den Seitengriff, und führen Sie den Tiefenanschlag in das Loch im Seitengriff ein. Den Tiefenanschlag auf die gewünschte Bohrtiefe einstellen, und den Seitengriff fest anziehen.

► **Abb.10:** 1. Loch 2. Tiefenanschlag

HINWEIS: Vergewissern Sie sich beim Anbringen, dass der Tiefenanschlag nicht den Hauptteil des Werkzeugs berührt.

Staubfangteller (Sonderzubehör)

Verwenden Sie bei Überkopf-Bohrarbeiten den Staubfangteller, um zu verhindern, dass Staub auf Sie und das Werkzeug fällt. Bringen Sie den Staubfangteller so am Einsatz an, wie in der Abbildung gezeigt. Der Staubfangteller kann an Einsätzen der folgenden Größen angebracht werden.

Modell	Einsatzdurchmesser
Staubfangteller 5	6 mm - 14,5 mm
Staubfangteller 9	12 mm - 16 mm

► **Abb.11:** 1. Staubfangteller

Staubfangtellersatz (Sonderzubehör)

ANMERKUNG: Wenn Sie den Staubfangtellersatz als Sonderzubehör kaufen, kann der standardmäßige Seitengriff nicht verwendet werden, wenn der Staubfangtellersatz am Werkzeug montiert ist. Wenn der Staubfangtellersatz am Werkzeug installiert ist, entfernen Sie den Griff vom standardmäßigen Seitengriff, und bringen Sie ihn am optionalen Griffbasissatz an.

► **Abb.12:** 1. Schraube 2. Griff 3. Optionaler Griffbasissatz

ANMERKUNG: Benutzen Sie den Staubfangtellersatz nicht, wenn Sie in Metall oder ähnlichem Material bohren. Der Staubfangtellersatz kann sonst durch die von feinem Metallstaub o. Ä. erzeugten Wärme beschädigt werden. Unterlassen Sie das Montieren oder Demontieren des Staubfangtellersatzes, wenn der Bohrereinsatz im Werkzeug montiert ist. Sonst kann der Staubfangtellersatz beschädigt und ein Staubleck verursacht werden.

Bevor Sie den Staubfangtellersatz anbringen, entfernen Sie den Einsatz vom Werkzeug, falls einer montiert ist.

Montieren Sie die Distanzhülse bei gleichzeitiger Erweiterung so, dass die Vorsprünge am Werkzeuggehäuse in die Nuten der Distanzhülse eingreifen. Achten Sie darauf, dass sich die Feder nicht aus dem Schlitz der Distanzhülse löst.

► **Abb.13:** 1. Distanzhülse 2. Feder

► **Abb.14**

Montieren Sie den Seitengriff (optionaler Griffbasissatz und Griff vom standardmäßigen Seitengriff entfernt) so, dass der Vorsprung an der Distanzhülse in die Nut des Griffs eingreift. Drehen Sie den Griff im Uhrzeigersinn, um ihn zu sichern.

► **Abb.15:** 1. Seitengriff

Montieren Sie den Staubfangtellersatz so, dass die Klauen des Staubfangtellers in die Schlitz der Distanzhülse eingreifen.

► **Abb.16:** 1. Staubfangteller 2. Klaue

HINWEIS: Wenn Sie ein Saugergerät an den Staubfangtellersatz anschließen, entfernen Sie den Staubfangteller vor dem Anschließen.

► **Abb.17:** 1. Staubkappe

Um den Bohrereinsatz zu entfernen, ziehen Sie die Futterabdeckung vollständig nach unten, und ziehen Sie den Bohrereinsatz heraus.

► **Abb.18:** 1. Einsatz 2. Futterabdeckung

Um den Staubfangtellersatz zu entfernen, halten Sie den Fuß des Staubfangtellers, und ziehen Sie ihn heraus.

► **Abb.19**

HINWEIS: Falls sich die Kappe vom Staubfangteller löst, bringen Sie sie mit der bedruckten Seite nach oben so an, dass die Nut der Kappe auf den Innenrand des Aufsatzes passt.

► **Abb.20**

BETRIEB


⚠ VORSICHT: Montieren Sie stets den Seitengriff (Zusatzgriff), und halten Sie das Werkzeug während der Arbeit mit beiden Händen am Seitengriff und Schaltergriff fest.

⚠ VORSICHT: Vergewissern Sie sich vor der Arbeit immer, dass das Werkstück gesichert ist.

► **Abb.21**

Hammerbohren

⚠ VORSICHT: Beim Durchbruch der Bohrung, bei Verstopfung der Bohrung mit Spänen und Partikeln, oder beim Auftreffen auf Betonstahl wirkt eine starke, plötzliche Drehkraft auf Werkzeug und Bohrereinsatz. **Montieren Sie stets den Seitengriff (Zusatzgriff), und halten Sie das Werkzeug während der Arbeit mit beiden Händen am Seitengriff und Schaltergriff fest.** Eine Missachtung dieser Vorsichtsmaßnahme kann den Verlust der Kontrolle über das Werkzeug und mögliche schwere Verletzungen zur Folge haben.

Stellen Sie den Betriebsart-Umschaltknopf auf die Position des Symbols . Setzen Sie den Bohrereinsatz auf die gewünschte Bohrstelle, und drücken Sie dann den Auslöseschalter. Üben Sie keinen übermäßigen Druck auf das Werkzeug aus. Leichter Druck liefert die besten Ergebnisse. Halten Sie das Werkzeug in Position, und vermeiden Sie Abrutschen vom Loch.

Üben Sie keinen stärkeren Druck aus, wenn das Bohrloch mit Spänen oder Bohrmehl zugesetzt wird. Lassen Sie statt dessen das Werkzeug leer laufen, und ziehen Sie dann den Bohrereinsatz teilweise aus dem Bohrloch heraus. Durch mehrmaliges Wiederholen dieses Vorgangs wird das Bohrloch ausgeräumt, so dass der normale Bohrbetrieb fortgesetzt werden kann.

HINWEIS: Es kann zu einer Rundlaufabweichung in der Bohrereinsatzdrehung kommen, wenn das Werkzeug mit Nulllast betrieben wird. Während des Betriebs zentriert sich das Werkzeug automatisch. Dies hat keinen Einfluss auf die Bohrgenauigkeit.

Bohren in Holz oder Metall

⚠ VORSICHT: Halten Sie daher das Werkzeug mit festem Griff und lassen Sie Vorsicht walten, wenn der Bohrereinsatz im Begriff ist, aus dem Werkstück auszutreten. Beim Bohrungsdurchbruch wirkt ein hohes Rückdrehmoment auf Werkzeug und Bohrereinsatz.


⚠ VORSICHT: Ein festsitzender Bohrereinsatz lässt sich durch einfaches Umschalten der Drehrichtung wieder herausdrehen. Dabei sollten Sie aber das Werkzeug gut festhalten, damit es nicht ruckartig herausgestoßen wird.

⚠ VORSICHT: Spannen Sie Werkstücke stets in einen Schraubstock oder eine ähnliche Aufspannvorrichtung ein.

ANMERKUNG: Verwenden Sie keinesfalls die Betriebsart „Schlagbohren“, wenn das Bohrfutter am Werkzeug angebracht ist. Das Bohrfutter kann sonst beschädigt werden.

Außerdem löst sich das Bohrfutter beim Umschalten der Drehrichtung.

ANMERKUNG: Übermäßige Druckausübung auf das Werkzeug bewirkt keine Beschleunigung der Bohrleistung. Im Gegenteil; übermäßiger Druck führt zu einer Beschädigung der Spitze des Bohrereinsatzes und damit zu einer Verringerung der Leistungsfähigkeit sowie zu einer Verkürzung der Lebensdauer des Werkzeugs.

Stellen Sie den Betriebsart-Umschaltknopf auf die Position des Symbols . Bringen Sie den Futteradapter an einem schlüssellochförmigen Bohrfutter an, an dem eine Schraube der Größe 1/2"-20 montiert werden kann, und montieren Sie dann die Teile am Werkzeug. Nehmen Sie zur Montage auf den Abschnitt „Montage und Demontage des Bohrereinsatzes“ Bezug.

- **Abb.22:** 1. Schlüsselloches Bohrfutter
2. Futteradapter

Ausblaspipette

Sonderzubehör

Blasen Sie den Staub nach dem Bohren des Lochs mit einer Ausblaspipette aus dem Loch.

► **Abb.23**

Verwendung des Staubfangtellersatzes

Sonderzubehör

Halten Sie den Staubfangtellersatz beim Betreiben des Werkzeugs gegen die Decke.

► **Abb.24**

ANMERKUNG: Benutzen Sie den Staubfangtellersatz nicht, wenn Sie in Metall oder ähnlichem Material bohren. Der Staubfangtellersatz kann sonst durch die von feinem Metallstaub o. Ä. erzeugten Wärme beschädigt werden.

ANMERKUNG: Unterlassen Sie das Montieren oder Demontieren des Staubfangtellersatzes, wenn der Bohrereinsatz im Werkzeug montiert ist. Sonst kann der Staubfangtellersatz beschädigt und ein Staubeck verursacht werden.

WARTUNG

⚠ VORSICHT: Vergewissern Sie sich vor der Durchführung von Inspektions- oder Wartungsarbeiten stets, dass das Werkzeug ausgeschaltet und der Akku abgenommen ist.

ANMERKUNG: Verwenden Sie auf keinen Fall Benzin, Waschbenzin, Verdüner, Alkohol oder dergleichen. Solche Mittel können Verfärbung, Verformung oder Rissbildung verursachen.

Um die SICHERHEIT und ZUVERLÄSSIGKEIT dieses Produkts zu gewährleisten, sollten Reparaturen und andere Wartungs- oder Einstellarbeiten nur von Makita-Vertragswerkstätten oder Makita-Kundendienstzentren unter ausschließlicher Verwendung von Makita-Originalersatzteilen ausgeführt werden.

SONDERZUBEHÖR

⚠ VORSICHT: Die folgenden Zubehörteile oder Vorrichtungen werden für den Einsatz mit dem in dieser Anleitung beschriebenen Makita-Werkzeug empfohlen. Die Verwendung anderer Zubehörteile oder Vorrichtungen kann eine Verletzungsgefahr darstellen. Verwenden Sie Zubehörteile oder Vorrichtungen nur für ihren vorgesehenen Zweck.

Wenn Sie weitere Einzelheiten bezüglich dieser Zubehörteile benötigen, wenden Sie sich bitte an Ihre Makita-Kundendienststelle.

- Bohrereinsätze mit Hartmetallschneide (SDS-plus-Einsätze mit Hartmetallschneide)
- Bohrkronen
- Diamant-Bohrkrone
- Futteradapter
- Schlüsselloses Bohrfutter
- Bohrerfett
- Tiefenanschlag
- Ausblaspipette
- Staubfangteller
- Staubfangtellersatz
- Griffbasissatz
- Schutzbrille
- Plastikkoffer

HINWEIS: Manche Teile in der Liste können als Standardzubehör im Werkzeugsatz enthalten sein. Sie können von Land zu Land unterschiedlich sein.

DATI TECNICI

Modello:		HR1840	HR1841F
Capacità	Cemento	18 mm	
	Punta a corona	35 mm	
	Punta a corona diamantata (tipo a secco)	65 mm	
	Acciaio	13 mm	
	Legno	24 mm	
Velocità a vuoto		0 - 2.100 min ⁻¹	Da 0 a 2.100 min ⁻¹
Colpi al minuto		0 - 4.800 min ⁻¹	Da 0 a 4.800 min ⁻¹
Lunghezza totale		285 mm	
Peso netto		2,0 - 2,4 kg	2,0 - 2,5 kg
Classe di sicurezza		II/II	

- In conseguenza del nostro programma di ricerca e sviluppo continui, i dati tecnici nel presente manuale sono soggetti a modifiche senza preavviso.
- I dati tecnici possono variare da nazione a nazione.
- Il peso può variare a seconda dell'accessorio o degli accessori. La combinazione più leggera e quella più pesante, in base alla Procedura EPTA 01/2014, sono indicate nella tabella.

Uso previsto

Questo utensile è destinato alla foratura a percussione e normale di mattoni, calcestruzzo e pietra. L'utensile è anche adatto alla foratura senza impulsi di legno, metallo, ceramica e plastica.

Alimentazione

L'utensile deve essere collegato a una fonte di alimentazione con la stessa tensione indicata sulla targhetta del nome, e può funzionare solo a corrente alternata monofase. L'utensile è dotato di doppio isolamento, per cui può essere utilizzato con prese elettriche sprovviste di messa a terra.

Rumore

Livello tipico di rumore pesato A determinato in base allo standard EN60745:

Modello HR1840

Livello di pressione sonora (L_{pA}): 87 dB (A)

Livello di potenza sonora (L_{WA}): 98 dB (A)

Incertezza (K): 3 dB (A)

Modello HR1841F

Livello di pressione sonora (L_{pA}): 87 dB (A)

Livello di potenza sonora (L_{WA}): 98 dB (A)

Incertezza (K): 3 dB (A)

AVVERTIMENTO: Indossare protezioni per le orecchie.

Vibrazioni

Valore totale delle vibrazioni (somma vettoriale triassiale) determinato in base allo standard EN60745:

Modello HR1840

Modalità di lavoro: foratura a percussione nel calcestruzzo

Emissione di vibrazioni ($a_{h,HD}$): 10,0 m/s²

Incertezza (K): 1,5 m/s²

Modalità di lavoro: foratura nel metallo

Emissione di vibrazioni ($a_{h,D}$): 3,0 m/s²

Incertezza (K): 1,5 m/s²

Modello HR1841F

Modalità di lavoro: foratura a percussione nel calcestruzzo

Emissione di vibrazioni ($a_{h,HD}$): 7,5 m/s²

Incertezza (K): 1,5 m/s²

Modalità di lavoro: foratura nel metallo

Emissione di vibrazioni ($a_{h,D}$): 3,0 m/s²

Incertezza (K): 1,5 m/s²

NOTA: Il valore di emissione delle vibrazioni dichiarato è stato misurato in conformità al metodo standard di verifica, e può essere utilizzato per confrontare un utensile con un altro.

NOTA: Il valore di emissione delle vibrazioni dichiarato può venire utilizzato anche per una valutazione preliminare dell'esposizione.

⚠AVVERTIMENTO: L'emissione delle vibrazioni durante l'utilizzo effettivo dell'utensile elettrico può variare rispetto al valore di emissione dichiarato, a seconda dei modi in cui viene utilizzato l'utensile.

⚠AVVERTIMENTO: Accertarsi di identificare le misure di sicurezza per la protezione dell'operatore basate sulla stima dell'esposizione nelle condizioni effettive di utilizzo (tenendo presente tutte le parti del ciclo operativo, ad esempio le volte in cui l'utensile viene spento e quando gira a vuoto, oltre al tempo di attivazione).

Dichiarazione di conformità CE

Solo per i paesi europei

La dichiarazione di conformità CE è inclusa nell'Allegato A al presente manuale di istruzioni.

AVVERTENZE DI SICUREZZA

Avvertenze generali relative alla sicurezza dell'utensile elettrico

⚠AVVERTIMENTO: Leggere tutte le avvertenze di sicurezza, le istruzioni, le illustrazioni e i dati tecnici forniti con il presente utensile elettrico. La mancata osservanza di tutte le istruzioni elencate di seguito potrebbe risultare in scosse elettriche, incendi e/o gravi lesioni personali.

Conservare tutte le avvertenze e le istruzioni come riferimento futuro.

Il termine "utensile elettrico" nelle avvertenze si riferisce sia all'utensile elettrico (cablato) nel funzionamento alimentato da rete elettrica che all'utensile elettrico (a batteria) nel funzionamento alimentato a batteria.

AVVERTENZE PER LA SICUREZZA DEL MARTELLO ROTATIVO

- 1. Indossare protezioni per le orecchie.**
L'esposizione al rumore può causare la perdita dell'udito.
- 2. Utilizzare la maniglia o le maniglie ausiliarie, se in dotazione con l'utensile.** La perdita di controllo può causare lesioni personali.
- 3. Tenere l'utensile elettrico per le sue superfici di impugnatura isolate quando si intende eseguire un'operazione in cui l'accessorio di taglio potrebbe entrare in contatto con fili elettrici nascosti o con il proprio cavo di alimentazione.** Un accessorio di taglio che entri in contatto con un filo elettrico sotto tensione potrebbe mettere sotto tensione le parti metalliche esposte dell'utensile elettrico e dare una scossa elettrica all'operatore.

- 4. Indossare un casco (elmetto di protezione), occhiali di sicurezza e/o una visiera.** I normali occhiali da vista o da sole **NON** sono occhiali di sicurezza. Inoltre, si consiglia caldamente di indossare una mascherina antipolvere e guanti dall'imbottitura spessa.
- 5. Accertarsi che la punta sia fissata saldamente in sede prima dell'utilizzo.**
- 6. Nell'utilizzo normale, l'utensile è progettato per produrre vibrazioni.** Le viti potrebbero allentarsi facilmente, causando un guasto o un incidente. Controllare con cura che le viti siano serrate prima dell'uso.
- 7. In condizioni di bassa temperatura o quando l'utensile non è stato utilizzato per un periodo di tempo prolungato, lasciar riscaldare l'utensile per un po' di tempo facendolo funzionare a vuoto.** Questa operazione ammorbidisce il lubrificante. Senza un appropriato riscaldamento, l'operazione di percussione risulta difficile.
- 8. Accertarsi sempre di appoggiare i piedi saldamente.** Quando si intende utilizzare l'utensile in ubicazioni elevate, accertarsi sempre che non sia presente alcuna persona sotto.
- 9. Tenere l'utensile saldamente con entrambe le mani.**
- 10. Tenere le mani lontane dalle parti mobili.**
- 11. Non lasciare l'utensile mentre sta funzionando.** Far funzionare l'utensile solo mentre lo si tiene in mano.
- 12. Non puntare l'utensile verso alcuna persona nelle vicinanze durante l'uso.** La punta potrebbe volare via e causare gravi lesioni personali.
- 13. Non toccare la punta, le parti vicine alla punta o il pezzo in lavorazione subito dopo l'uso;** potrebbero essere estremamente caldi e causare ustioni.
- 14. Alcuni materiali contengono sostanze chimiche che potrebbero essere tossiche.** Fare attenzione a evitare l'inalazione della polvere e il contatto con la pelle. Attenersi ai dati relativi alla sicurezza del fornitore del materiale.
- 15. Non toccare la spina dell'alimentazione elettrica con le mani bagnate.**

CONSERVARE LE PRESENTI ISTRUZIONI.

⚠AVVERTIMENTO: NON lasciare che la comodità o la familiarità d'uso con il prodotto (acquisita con l'uso ripetuto) sostituiscano la stretta osservanza delle norme di sicurezza. L'USO IMPROPRIO o la mancata osservanza delle norme di sicurezza riportate nel presente manuale di istruzioni potrebbero causare lesioni personali gravi.

DESCRIZIONE DELLE FUNZIONI

ATTENZIONE: Accertarsi sempre che l'utensile sia spento e scollegato dall'alimentazione prima di regolare o controllare le sue funzioni.

Funzionamento dell'interruttore

ATTENZIONE: Prima di collegare l'utensile all'alimentazione elettrica, controllare sempre che l'interruttore a grilletto funzioni correttamente e che torni sulla posizione "OFF" quando viene rilasciato.

ATTENZIONE: È possibile bloccare l'interruttore sulla posizione "ON" (accensione) per la comodità dell'operatore durante l'utilizzo prolungato. Fare attenzione quando si intende bloccare l'utensile nella posizione "ON" (accensione) e mantenere una salda presa sull'utensile.

► Fig.1: 1. Interruttore a grilletto 2. Pulsante di sblocco

Per avviare l'utensile, è sufficiente premere l'interruttore a grilletto. La velocità dell'utensile viene aumentata incrementando la pressione sull'interruttore a grilletto. Rilasciare l'interruttore a grilletto per arrestare l'utensile.

Per il funzionamento continuo, premere l'interruttore a grilletto, far rientrare il pulsante di blocco premendolo, quindi rilasciare l'interruttore a grilletto. Per arrestare l'utensile dalla posizione bloccata, premere a fondo l'interruttore a grilletto, quindi rilasciarlo.

Accensione della lampadina anteriore

Per il modello HR1841F

► Fig.2: 1. Interruttore a grilletto 2. Lampada

ATTENZIONE: Non osservare né guardare direttamente la fonte di luce.

Per accendere la lampada, premere l'interruttore a grilletto. Per spegnerla, rilasciare l'interruttore a grilletto.

AVVISO: Non utilizzare diluenti o benzina per pulizia per pulire la lampada. Tali solventi potrebbero danneggiarla.

NOTA: Per pulire la sporcizia dalla lente della lampadina, utilizzare un panno asciutto. Fare attenzione a non graffiare la lente della lampadina, altrimenti si potrebbe ridurre l'illuminazione.

Uso del commutatore di inversione della rotazione

ATTENZIONE: Controllare sempre la direzione di rotazione prima dell'uso.

AVVISO: Utilizzare il commutatore di inversione della rotazione solo dopo l'arresto completo dell'utensile. Qualora si cambi la direzione di rotazione prima dell'arresto dell'utensile, si potrebbe danneggiare quest'ultimo.

AVVISO: Quando si intende cambiare la direzione di rotazione, accertarsi di impostare completamente il commutatore di inversione sulla posizione ◀ (lato A) o ▶ (lato B). In caso contrario, quando si preme l'interruttore a grilletto, il motore potrebbe non girare o l'utensile potrebbe non funzionare correttamente.

► Fig.3: 1. Leva del commutatore di inversione della rotazione


Questo utensile è dotato di un commutatore di inversione per modificare la direzione di rotazione. Spostare la leva del commutatore di inversione sulla posizione ◀ (lato A) per la rotazione in senso orario, oppure sulla posizione ▶ (lato B) per la rotazione in senso antiorario.

Selezione della modalità operativa

AVVISO: Non ruotare la manopola di modifica della modalità operativa mentre l'utensile è in funzione. In caso contrario, l'utensile viene danneggiato.


AVVISO: Per evitare una rapida usura del meccanismo di modifica della modalità, accertarsi che la manopola di modifica della modalità operativa sia sempre posizionata con precisione in una delle posizioni delle modalità operative.

Rotazione con percussione

Per forare calcestruzzo, muratura, e così via, ruotare la manopola di modifica della modalità operativa sul simbolo . Utilizzare una punta per trapano rivestita in carburo.

► Fig.4: 1. Manopola di modifica della modalità operativa

Solo rotazione

Per forare legno, metallo o materiali in plastica, ruotare la manopola di modifica della modalità operativa sul simbolo . Utilizzare una punta per trapano elicoidale o una punta per trapano per legno.

► Fig.5: 1. Manopola di modifica della modalità operativa

Limitatore di coppia

AVVISO: Non appena si attiva il limitatore di coppia, spegnere immediatamente l'utensile. Questa operazione contribuisce a evitare un'usura prematura dell'utensile.

AVVISO: Le punte per trapano come le seghe a tazza, che tendono a incepparsi o incastrarsi facilmente nel foro, non sono appropriate per questo utensile. Ciò è dovuto al fatto che causano un'attivazione troppo frequente del limitatore di coppia.

Il limitatore di coppia si attiva quando si raggiunge un determinato livello di coppia. Il motore si sgancia dall'albero condotto. Quando si verifica questa eventualità, la punta per trapano smette di girare.

MONTAGGIO

ATTENZIONE: Accertarsi sempre che l'utensile sia spento e scollegato dall'alimentazione elettrica, prima di effettuare qualsiasi intervento su di esso.

Impugnatura laterale (maniglia ausiliaria)

ATTENZIONE: Utilizzare sempre l'impugnatura laterale per garantire un funzionamento in sicurezza.

ATTENZIONE: Dopo aver installato o regolato l'impugnatura laterale, accertarsi che quest'ultima sia fissata saldamente.

Installare l'impugnatura laterale in modo che le scanalature sull'impugnatura si inseriscano nelle sporgenze presenti sul cilindro dell'utensile. Ruotare l'impugnatura in senso orario per fissarla. È possibile fissare l'impugnatura all'angolazione desiderata.

► Fig.6: 1. Impugnatura laterale

Grasso

Ricoprire anticipatamente l'estremità con il gambo della punta per trapano con una piccola quantità di grasso (circa 0,5 - 1 g).

Questa lubrificazione del mandrino assicura un azionamento fluido e ne prolunga la vita utile.

Installazione o rimozione della punta per trapano

Pulire l'estremità con il gambo della punta per trapano e applicare il grasso prima di installare la punta per trapano.

► Fig.7: 1. Estremità con il gambo 2. Grasso

Inserire la punta per trapano nell'utensile. Ruotare la punta per trapano e premerla verso l'interno fino a quando si innesta.

Dopo aver installato la punta per trapano, accertarsi sempre che quest'ultima sia fissata saldamente in sede provando a tirarla fuori.

► Fig.8: 1. Punta per trapano

Per rimuovere la punta per trapano, tirare giù fino in fondo la copertura del mandrino ed estrarre la punta per trapano.

► Fig.9: 1. Punta per trapano 2. Copertura del mandrino

Calibro di profondità

Il calibro di profondità è comodo per praticare fori di profondità uniforme. Allentare l'impugnatura laterale, quindi inserire il calibro di profondità nel foro presente sull'impugnatura laterale. Regolare il calibro di profondità sulla profondità desiderata e serrare saldamente l'impugnatura laterale.

► Fig.10: 1. Foro 2. Calibro di profondità

NOTA: Accertarsi che il calibro di profondità non tocchi il corpo principale dell'utensile quando lo si monta.

Coppa raccogli-polvere (accessorio opzionale)

Utilizzare la coppa raccogli-polvere per evitare che la polvere cada sull'utensile e sull'operatore quando si effettuano operazioni di perforazione al di sopra della testa. Montare la coppa raccogli-polvere sulla punta come indicato nella figura. Le dimensioni delle punte su cui è possibile montare la coppa raccogli-polvere sono le seguenti.

Modello	Diametro della punta
Coppa raccogli-polvere 5	Da 6 mm a 14,5 mm
Coppa raccogli-polvere 9	Da 12 mm a 16 mm

► Fig.11: 1. Coppa raccogli-polvere

Kit coppa raccogli-polvere (accessorio opzionale)

AVVISO: Se si acquista il kit coppa raccogli-polvere come accessorio opzionale, non è possibile utilizzare l'impugnatura laterale standard mentre è installato il kit coppa raccogli-polvere sull'utensile. Quando il kit coppa raccogli-polvere è installato sull'utensile, rimuovere l'impugnatura dall'impugnatura laterale standard, quindi montarla sul kit base impugnatura opzionale.

► Fig.12: 1. Bullone 2. Impugnatura 3. Kit base impugnatura opzionale

AVVISO: Non utilizzare il kit coppa raccogli-polvere quando si intende perforare metallo o materiali simili. In caso contrario, si potrebbe danneggiare il kit coppa raccogli-polvere a causa del calore prodotto dalle piccole particelle di metallo o materiali simili. Non installare o rimuovere il kit coppa raccogli-polvere quando nell'utensile è installata la punta per trapano. In caso contrario, si potrebbe danneggiare il kit coppa raccogli-polvere e causare fuoriuscite di polvere.

Prima di installare il kit coppa raccogli-polvere, rimuovere la punta dall'utensile, se è installata. Installare il distanziatore in modo che le scanalature presenti su quest'ultimo si inseriscano nelle sporgenze presenti sul cilindro dell'utensile mentre lo si allarga.

Fare attenzione a non far staccare la molla dalla fessura del distanziatore.

► **Fig.13:** 1. Distanziatore 2. Molla

► **Fig.14**

Installare l'impugnatura laterale (kit base impugnatura opzionale con l'impugnatura rimossa dall'impugnatura laterale standard) in modo che la scanalatura sull'impugnatura si inserisca nella sporgenza presente sul distanziatore. Ruotare l'impugnatura in senso orario per fissarla.

► **Fig.15:** 1. Impugnatura laterale

Installare il kit coppa raccogli-polvere in modo che i denti della coppa raccogli-polvere si inseriscano nelle fessure presenti sul distanziatore.

► **Fig.16:** 1. Coppa raccogli-polvere 2. Dente

NOTA: Se si intende collegare un aspirapolvere al kit coppa raccogli-polvere, rimuovere il tappo della polvere prima di collegarlo.

► **Fig.17:** 1. Tappo della polvere

Per rimuovere la punta per trapano, tirare giù fino in fondo la copertura del mandrino ed estrarre la punta per trapano.

► **Fig.18:** 1. Punta 2. Copertura del mandrino

Per rimuovere il kit coppa raccogli-polvere, afferrare la base della coppa raccogli-polvere ed estrarla tirandola.

► **Fig.19**

NOTA: Qualora il tappo si stacchi dalla coppa raccogli-polvere, montarlo con il suo lato stampato rivolto verso l'alto, in modo che la scanalatura presente sul tappo si inserisca nella parte periferica interna dell'attacco.

► **Fig.20**

FUNZIONAMENTO

ATTENZIONE: Utilizzare sempre l'impugnatura laterale (manico ausiliario) e mantenere saldamente l'utensile utilizzando sia l'impugnatura laterale che il manico con l'interruttore durante l'uso.

ATTENZIONE: Accertarsi sempre che il pezzo in lavorazione sia fissato prima dell'operazione.

► **Fig.21**

Operazione di foratura a percussione

ATTENZIONE: Sull'utensile/punta per trapano viene esercitata una fortissima e improvvisa forza torcente quando si verifica la fuoriuscita dal foro, qualora il foro diventi intasato di trucioli e scorie o qualora si colpiscano i tondini per armatura incorporati nel cemento. **Utilizzare sempre l'impugnatura laterale (manico ausiliario) e mantenere saldamente l'utensile utilizzando sia l'impugnatura laterale che il manico con l'interruttore durante l'uso.** In caso contrario, si potrebbe causare la perdita di controllo dell'utensile e la possibilità di gravi lesioni personali.

Impostare la manopola di modifica della modalità operativa sul simbolo

Posizionare la punta per trapano sul punto desiderato per il foro, quindi premere l'interruttore a grilletto. Non forzare l'utensile. Una leggera pressione produce i risultati migliori. Mantenere l'utensile in posizione ed evitare che scivoli via dal foro.

Non esercitare una pressione maggiore se il foro diventa intasato di trucioli o scorie. Far girare a vuoto l'utensile, invece, quindi rimuovere parzialmente la punta per trapano dal foro. Ripetendo tale procedura diverse volte, il foro si ripulisce e si può continuare con la foratura normale.

NOTA: Durante il funzionamento dell'utensile a vuoto, potrebbe verificarsi un'eccentricità nella rotazione della punta per trapano. L'utensile si centra automaticamente durante l'uso. Ciò non influenza negativamente la precisione della foratura.

Foratura di legno o metallo

ATTENZIONE: Tenere saldamente l'utensile e fare attenzione quando la punta per trapano inizia a fuoriuscire dal pezzo. Sull'utensile/punta per trapano viene esercitata una forza estrema al momento della fuoriuscita dal foro.

ATTENZIONE: Una punta per trapano incastrata può venire rimossa semplicemente impostando il commutatore di inversione della rotazione sulla rotazione invertita, in modo da far tornare indietro l'utensile. Tuttavia, l'utensile potrebbe tornare indietro bruscamente, qualora non venga impugnato saldamente.

ATTENZIONE: Fissare sempre i pezzi in lavorazione in una morsa o un dispositivo simile per tenerli fermi.

AVVISO: Non utilizzare mai la "rotazione con percussione" quando sull'utensile è installato il mandrino per trapano. In caso contrario, il mandrino per trapano potrebbe venire danneggiato. Inoltre, il mandrino per trapano si stacca durante l'inversione della rotazione dell'utensile.

AVVISO: Se si esercita una pressione eccessiva sull'utensile, non si accelera la foratura. In realtà, tale pressione eccessiva produce solo l'effetto di danneggiare l'estremità della punta per trapano e di ridurre le prestazioni e la vita utile dell'utensile.

Impostare la manopola di modifica della modalità operativa sul simbolo

Montare l'adattatore per mandrino su un mandrino autoserrante per trapano su cui sia possibile installare una vite di dimensione 1/2"-20, quindi installarli sull'utensile. Durante la sua installazione, fare riferimento alla sezione "Installazione o rimozione della punta per trapano".

► **Fig.22:** 1. Mandrino autoserrante per trapano
2. Adattatore per mandrino

Soffietto a peretta

Accessorio opzionale

Dopo aver praticato il foro, utilizzare il soffietto a peretta per pulire la polvere dal foro.

► Fig.23

Uso del kit coppa antipolvere

Accessorio opzionale

Applicare il kit coppa antipolvere contro il soffitto, quando si utilizza l'utensile.

► Fig.24

AVVISO: Non utilizzare il kit coppa antipolvere durante la foratura nel metallo o in materiali simili. In caso contrario, si potrebbe danneggiare il kit coppa antipolvere, a causa del calore prodotto dalle polveri sottili del metallo o di materiali simili.

AVVISO: Non installare né rimuovere il kit coppa antipolvere quando nell'utensile è installata la punta per trapano. In caso contrario, si potrebbe danneggiare il kit coppa antipolvere e causare fuoriuscite di polveri.

MANUTENZIONE

ATTENZIONE: Accertarsi sempre che l'utensile sia spento e che la cartuccia della batteria sia stata rimossa prima di tentare di eseguire interventi di ispezione o manutenzione.

AVVISO: Non utilizzare mai benzina, benzene, solventi, alcol o altre sostanze simili. In caso contrario, si potrebbero causare scolorimenti, deformazioni o crepe.

Per preservare la SICUREZZA e l'AFFIDABILITÀ del prodotto, le riparazioni e qualsiasi altro intervento di manutenzione e di regolazione devono essere eseguiti da un centro di assistenza autorizzato Makita, utilizzando sempre ricambi Makita.

ACCESSORI OPZIONALI

ATTENZIONE: Questi accessori o componenti aggiuntivi sono consigliati per l'uso con l'utensile Makita specificato nel presente manuale.

L'impiego di altri accessori o componenti aggiuntivi può costituire un rischio di lesioni alle persone. Utilizzare gli accessori o i componenti aggiuntivi solo per il loro scopo prefissato.

Per ottenere ulteriori dettagli relativamente a questi accessori, rivolgersi a un centro di assistenza Makita.

- Punta per trapano rivestite in carburo (punte SDS-plus rivestite in carburo)
- Punta a corona
- Punta a corona diamantata
- Adattatore per mandrino
- Mandrino autoserrante per trapano
- Grasso per punte
- Calibro di profondità
- Soffietto a peretta
- Coppa raccogli-polvere
- Kit coppa raccogli-polvere
- Kit base impugnatura
- Occhiali di sicurezza
- Custodia da trasporto in plastica

NOTA: Alcuni articoli nell'elenco potrebbero essere inclusi nell'imballaggio dell'utensile come accessori standard. Tali articoli potrebbero variare da nazione a nazione.

TECHNISCHE GEGEVENS

Model:		HR1840	HR1841F
Capaciteiten	Steen/cement	18 mm	
	Kernboor	35 mm	
	Diamantkernboor (droog type)	65 mm	
	Staal	13 mm	
	Hout	24 mm	
Nullasttoerental		0 - 2.100 min ⁻¹	
Slagen per minuut		0 - 4.800 min ⁻¹	
Totale lengte		285 mm	
Nettogewicht		2,0 - 2,4 kg	2,0 - 2,5 kg
Veiligheidsklasse		□/II	

- In verband met ononderbroken research en ontwikkeling behouden wij ons het recht voor bovenstaande technische gegevens te wijzigen zonder voorafgaande kennisgeving.
- De technische gegevens kunnen van land tot land verschillen.
- Het gewicht kan verschillen afhankelijk van de hulpstukken. De lichtste en zwaarste combinatie, volgens EPTA-procedure 01/2014, worden vermeld in de tabel.

Bedoeld gebruik

Dit gereedschap is bedoeld voor hamerboren en boren in baksteen, beton en steen.

Het is ook geschikt voor boren zonder slagwerking in hout, metaal, keramisch materiaal en kunststof.

Voeding

Het gereedschap mag alleen worden aangesloten op een voeding van dezelfde spanning als aangegeven op het typeplaatje, en kan alleen worden gebruikt op enkelfase-wisselstroom. Het gereedschap is dubbel-geïsoleerd en kan derhalve ook op een niet-geaard stop-contact worden aangesloten.

Geluidsniveau

De typische, A-gewogen geluidsniveaus zijn gemeten volgens EN60745:

Model HR1840

Geluidsdrukniveau (L_{pA}): 87 dB (A)

Geluidsvermogeniveau (L_{WA}): 98 dB (A)

Onzekerheid (K): 3 dB (A)

Model HR1841F

Geluidsdrukniveau (L_{pA}): 87 dB (A)

Geluidsvermogeniveau (L_{WA}): 98 dB (A)

Onzekerheid (K): 3 dB (A)

⚠ WAARSCHUWING: Draag gehoorbescherming.

Trilling

De totale trillingswaarde (triaxiale vectorsom) zoals vastgesteld volgens EN60745:

Model HR1840

Gebruikstoepassing: hamerboren in beton

Trillingsemismissie ($a_{n,HD}$): 10,0 m/s²

Onzekerheid (K): 1,5 m/s²

Gebruikstoepassing: boren in metaal

Trillingsemismissie ($a_{n,D}$): 3,0m/s²

Onzekerheid (K): 1,5 m/s²

Model HR1841F

Gebruikstoepassing: hamerboren in beton

Trillingsemismissie ($a_{n,HD}$): 7,5 m/s²

Onzekerheid (K): 1,5 m/s²

Gebruikstoepassing: boren in metaal

Trillingsemismissie ($a_{n,D}$): 3,0m/s²

Onzekerheid (K): 1,5 m/s²

OPMERKING: De opgegeven trillingsemismissiewaarde is gemeten volgens de standaardtestmethode en kan worden gebruikt om dit gereedschap te vergelijken met andere gereedschappen.

OPMERKING: De opgegeven trillingsemismissiewaarde kan ook worden gebruikt voor een beoordeling vooraf van de blootstelling.

⚠ WAARSCHUWING: De trillingsemismissie tijdens het gebruik van het elektrisch gereedschap in de praktijk kan verschillen van de opgegeven trillingsemismissiewaarde afhankelijk van de manier waarop het gereedschap wordt gebruikt.

⚠ WAARSCHUWING: Zorg ervoor dat veiligheidsmaatregelen worden getroffen ter bescherming van de operator die zijn gebaseerd op een schatting van de blootstelling onder praktijkomstandigheden (rekening houdend met alle fasen van de bedrijfscyclus, zoals de tijdsduur gedurende welke het gereedschap is uitgeschakeld en stationair draait, naast de ingeschakelde tijdsduur).

EG-verklaring van conformiteit

Alleen voor Europese landen

De EG-verklaring van conformiteit is bijgevoegd als Bijlage A bij deze gebruiksaanwijzing.

VEILIGHEIDSWAARSCHUWINGEN

Algemene veiligheidswaarschuwingen voor elektrisch gereedschap

⚠ WAARSCHUWING: Lees alle veiligheids-
waarschuwingen, aanwijzingen, afbeeldingen en
technische gegevens behorend bij dit elektrische
gereedschap aandachtig door. Als u niet alle onder-
staande aanwijzingen naleeft, kan dat resulteren in
brand, elektrische schokken en/of ernstig letsel.

Bewaar alle waarschuwingen en instructies om in de toekomst te kunnen raadplegen.

De term "elektrisch gereedschap" in de veiligheidsvoorschriften duidt op gereedschappen die op stroom van het lichtnet werken (met snoer) of gereedschappen met een accu (snoerloos).

VEILIGHEIDSWAARSCHUWINGEN VOOR EEN BOORHAMER

1. **Draag gehoorbescherming.** Blootstelling aan het lawaai kan uw gehoor aantasten.
2. **Gebruik hulphandgreep (hulphandgrepen), indien bij het gereedschap geleverd.** Verliezen van de macht over het gereedschap kan letsel veroorzaken.
3. **Houd elektrisch gereedschap alleen vast aan de geïsoleerde handgrepen wanneer de kans bestaat dat het accessoire in aanraking komt met verborgen bedrading of zijn eigen snoer.** Wanneer accessoires in aanraking komen met onder spanning staande draden, zullen de niet-geïsoleerde metalen delen van het gereedschap onder spanning komen te staan zodat de gebruiker een elektrische schok kan krijgen.
4. **Draag een helm (veiligheidshelm), veiligheidsbril en/of spatscherm. Een gewone bril of een zonnebril is GEEN veiligheidsbril. Het wordt tevens sterk aanbevolen een stofmasker en dik gevoerde handschoenen te dragen.**
5. **Controleer of het bit stevig op zijn plaats zit voordat u het gereedschap gebruikt.**
6. **Bij normale bediening behoort het gereedschap te trillen. De schroeven kunnen gemakkelijk losraken, waardoor een defect of ongeval kan ontstaan. Controleer of de schroeven goed zijn aangedraaid, alvorens het gereedschap te gebruiken.**

7. **In koude weersomstandigheden of wanneer het gereedschap gedurende een lange tijd niet is gebruikt, laat u het gereedschap eerst opwarmen door het onbelast te laten werken. Hierdoor zal de smering worden verbeterd. Zonder degelijk opwarmen, zal de hamerwerking moeilijk zijn.**
8. **Zorg ook altijd dat u stevig op een solide bodem staat. Let bij het werken op hoge plaatsen op dat er zich niemand recht onder u bevindt.**
9. **Houd het gereedschap stevig met beide handen vast.**
10. **Houd uw handen uit de buurt van bewegende delen.**
11. **Laat het gereedschap niet draaiend achter. Schakel het gereedschap alleen in wanneer u het stevig vasthoudt.**
12. **Richt het gereedschap niet op iemand in de buurt terwijl het is ingeschakeld. Het bit zou eruit kunnen vliegen en iemand ernstig verwonden.**
13. **Raak het bit, onderdelen in de buurt van het bit en het werkstuk niet onmiddellijk na gebruik aan. Zij kunnen bijzonder heet zijn en brandwonden op uw huid veroorzaken.**
14. **Bepaalde materialen kunnen giftige chemicaliën bevatten. Vermijd contact met uw huid en zorg dat u geen stof inademt. Volg de veiligheidsvoorschriften van de fabrikant van het materiaal.**
15. **Raak de stekker niet met natte handen aan.**

BEWAAR DEZE VOORSCHRIFTEN.

⚠ WAARSCHUWING: Laat u NIET misleiden door een vals gevoel van comfort en bekendheid met het gereedschap (na veelvuldig gebruik) en neem alle veiligheidsvoorschriften van het betreffende gereedschap altijd strikt in acht. **VERKEERD GEBUIK** of het niet naleven van de veiligheidsvoorschriften in deze gebruiksaanwijzing kan leiden tot ernstig letsel.

BESCHRIJVING VAN DE FUNCTIES

⚠ LET OP: Controleer altijd of het gereedschap is uitgeschakeld en de stekker ervan uit het stopcontact is verwijderd alvorens de functies op het gereedschap te controleren of af te stellen.

De trekkerschakelaar gebruiken

⚠ LET OP: Controleer altijd, voordat u de stekker in het stopcontact steekt, of de trekkerschakelaar op de juiste manier schakelt en weer terugkeert naar de uit-stand nadat deze is losgelaten.

⚠ LET OP: De schakelaar kan worden vergrendeld in de aan-stand ten behoeve van het gebruikersgemak bij langdurig gebruik. Wees voorzichtig wanneer het gereedschap in de aan-stand is vergrendeld en houd het gereedschap stevig vast.

► Fig.1: 1. Trekkerschakelaar 2. Uit-vergrendelknop

Om het gereedschap te starten, knijpt u gewoon de trekkerschakelaar in. Hoe harder u de trekkerschakelaar inknijpt, hoe sneller het gereedschap draait. Laat de trekkerschakelaar los om het gereedschap te stoppen.

Voor ononderbroken gebruik, knijpt u de trekkerschakelaar in, drukt u de vergrendelknop in en laat u vervolgens de trekkerschakelaar los. Om het gereedschap vanuit de vergrendelde stand te stoppen, knijpt u de trekkerschakelaar helemaal in en laat u deze vervolgens los.

De lamp op de voorkant gebruiken

Voor HR1841F

► Fig.2: 1. Trekkerschakelaar 2. Lamp

⚠ LET OP: Kijk niet direct in het lamplicht of in de lichtbron.

Om de lamp in te schakelen, knijpt u de trekkerschakelaar in. Laat de trekkerschakelaar los om hem uit te schakelen.

KENNISGEVING: Maak de lamp niet schoon met verdunner of benzine. Dergelijke oplosmiddelen kunnen hem beschadigen.

OPMERKING: Gebruik een droge doek om vuil van de lens van de lamp af te vegen. Wees voorzichtig dat u de lens van de lamp niet bekrast omdat dan de verlichting minder wordt.

De omkeerschakelaar bedienen

⚠ LET OP: Controleer altijd de draairichting alvorens het gereedschap te starten.

KENNISGEVING: Verander de stand van de omkeerschakelaar alleen nadat het gereedschap volledig tot stilstand is gekomen. Als u de draairichting verandert terwijl het gereedschap nog draait, kan het gereedschap beschadigd raken.

KENNISGEVING: Als u de draairichting verandert, verzekert u zich ervan dat de omkeerschakelaar volledig in stand ◁ (A-kant) of ▷ (B-kant) is gezet. Anders zal bij het inknippen van de trekkerschakelaar de motor mogelijk niet draaien of het gereedschap niet goed werken.

► Fig.3: 1. Omkeerschakelaar

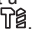
Dit gereedschap heeft een omkeerschakelaar voor het veranderen van de draairichting. Druk de omkeerschakelaar naar de stand ◁ (kant A) voor de draairichting rechtsom, of naar stand ▷ (kant B) voor de draairichting linksom.

De werksfunctie kiezen

KENNISGEVING: Draai de werksfunctiekeuzeknop niet terwijl het gereedschap draait. Het gereedschap zal hierdoor worden beschadigd.


KENNISGEVING: Om snelle slijtage van het werksfunctiekeuzemechanisme te voorkomen, zorgt u ervoor dat de werksfunctiekeuzeknop altijd precies in een van de werksfunctiestanden staat.

Hamerboren

Voor het boren in beton, metselwerk, enz., draait u de werksfunctiekeuzeknop naar het symbool . Gebruik een boor met een hardmetalen punt.

► Fig.4: 1. Werksfunctiekeuzeknop

Aleen boren

Voor het boren in hout, metaal of kunststofmaterialen, draait u de werksfunctiekeuzeknop naar het symbool . Gebruik een spiraalboor of houtboor.

► Fig.5: 1. Werksfunctiekeuzeknop

Koppelbegrenzer

KENNISGEVING: Schakel het gereedschap onmiddellijk uit wanneer de koppelbegrenzer in werking treedt. Hiermee helpt u vroegtijdige slijtage van het gereedschap te voorkomen.

KENNISGEVING: Boren, zoals gatenzagen, die gemakkelijk bekneld raken in het boorgat, mogen niet worden gebruikt met dit gereedschap. Dit is omdat zij de koppelbegrenzer te vaak in werking doen treden.

De koppelbegrenzer treedt in werking wanneer de motor een bepaald koppel bereikt. De motor wordt dan ontkoppeld van de uitgaande as. Wanneer dit gebeurt, zal de boor ophouden met draaien.

MONTAGE

⚠ LET OP: Zorg altijd dat het gereedschap is uitgeschakeld en dat zijn stekker uit het stopcontact is verwijderd alvorens enig werk aan het gereedschap uit te voeren.

Zijhandgreep (extra handgreep)

⚠ LET OP: Gebruik altijd de zijhandgreep om veilig te kunnen werken.

⚠ LET OP: Na het aanbrengen of afstellen van de zijhandgreep, controleer u of de zijhandgreep stevig is vastgezet.

Breng de zijhandgreep zodanig aan dat de groeven op de greep om de uitsteeksels op de schacht van het gereedschap vallen. Draai de greep rechtsom om hem te bevestigen. De greep kan onder de gewenste hoek worden vastgezet.

► Fig.6: 1. Zijhandgreep

Smieren

Smeer het uiteinde van de schacht van de boor vooraf in met een beetje vet (ong. 0,5 tot 1 gram).

Met een ingevette boorkop zal het gereedschap beter werken en langer meegaan.

De boor aanbrengen en verwijderen

Reinig het uiteinde van de schacht van de boor en smeer het met vet voordat u de boor aanbrengt.

► Fig.7: 1. Uiteinde van de schacht 2. Smieren

Breng de boor aan in het gereedschap. Draai de boor en duw hem naar binnen tot hij vergrendelt.

Controleer na het aanbrengen van de boor altijd of de boor stevig in het gereedschap is bevestigd door te proberen hem eruit te trekken.

► Fig.8: 1. Boor

Om de boor te verwijderen, trekt u de boorkopmf of helemaal omlaag en trekt u de boor eruit.

► Fig.9: 1. Boor 2. Boorkopmf

Dieptemaat

De dieptemaat is nuttig voor het boren van gaten van gelijke diepte. Maak de zijhandgreep los en steek de dieptemaat in het gat in de basis van de zijhandgreep. Stel de dieptemaat af op de gewenste diepte en zet de zijhandgreep vast.

► Fig.10: 1. Gat 2. Dieptemaat

OPMERKING: Zorg ervoor dat de dieptemaat niet tegen de behuizing van het gereedschap aan komt wanneer u hem aanbrengt.

Stofvanger (optioneel accessoire)

Gebruik de stofvanger om te voorkomen dat stof op het gereedschap en op uzelf terecht komt wanneer u boven uw hoofd boort. Bevestig de stofvanger aan het bit zoals aangegeven in de afbeelding. De diameter van de bits waaraan de stofvanger kan worden bevestigd is als volgt.

Model	Bitdiameter
Stofvanger 5	6 mm - 14,5 mm
Stofvanger 9	12 mm - 16 mm

► Fig.11: 1. Stofvanger

Stofvangerset (optioneel accessoire)

KENNISGEVING: Als u de stofvangerset hebt aangeschaft als een optioneel accessoire, kan de standaard zijhandgreep niet worden gebruikt terwijl de stofvangerset op het gereedschap is aangebracht. Wanneer de stofvangerset moet worden aangebracht op het gereedschap, verwijderd u eerst de handgreep vanaf de standaard zijhandgreep en bevestigt u hem vervolgens op de optionele handgreepvoetset.

► Fig.12: 1. Bout 2. Handgreep 3. Optionele handgreepvoetset

KENNISGEVING: Gebruik de stofvangerset niet bij het boren in metaal of soortgelijke materialen. De stofvangerset kan dan worden beschadigd door de hitte die wordt afgegeven door kleine metaaldeeltjes of soortgelijke deeltjes. Breng de stofvangerset niet aan en verwijder hem niet terwijl de boor nog in het gereedschap is aangebracht. De stofvangerset kan dan worden beschadigd waardoor hij stof lekt.

Alvorens de stofvangerset aan te brengen, verwijderd u het bit vanaf het gereedschap indien deze is aangebracht.

Breng de afstandshouder zodanig aan dat de groeven in de afstandshouder om de uitsteeksels op de schacht van het gereedschap vallen bij het breder maken. Let er daarbij op dat de veer niet loskomt uit de gleuf van de afstandshouder.

► Fig.13: 1. Afstandshouder 2. Veer

► Fig.14

Breng de zijhandgreep (optionele handgreepvoetset en de handgreep verwijderd vanaf de standaard zijhandgreep) zodanig aan dat de groef op de handgreep past om het uitsteeksel op de afstandshouder. Draai de handgreep rechtsom om hem te bevestigen.

► Fig.15: 1. Zijhandgreep

Breng de stofvangerset zodanig aan dat de klauwen van de stofvanger in de gleuven van de afstandshouder vallen.

► Fig.16: 1. Stofvanger 2. Klauw

OPMERKING: Als u een stofzuiger aansluit op de stofvangerset, verwijderd u de stofdop voordat u hem aansluit.

► Fig.17: 1. Stofdop

Om de boor te verwijderen, trekt u de boorkopmf helemaal omlaag en trekt u de boor eruit.

► **Fig.18:** 1. Bit 2. Boorkopmf

Om de stofvangerset te verwijderen, houdt u de basis van de stofvanger vast en trekt u hem eraf.

► **Fig.19**

OPMERKING: Als de dop loskomt uit de stofvanger, brengt u deze weer aan met de bedrukte kant naar boven gericht zodat de groef of de dop in de binnenomtrek van zijn bevestiging valt.

► **Fig.20**

BEDIENING

⚠ALLET OP: Gebruik altijd de zijhandgreep (hulphandgreep) en houd het gereedschap tijdens het gebruik stevig vast bij zowel de zijhandgreep als de hoofdhandgreep.

⚠ALLET OP: Zorg er altijd vóór gebruik voor dat het werkstuk stevig vast staat.

► **Fig.21**

Gebruik als hamerboor

⚠ALLET OP: Op het moment dat het boorgat doorbreekt, het boorgat verstopt raakt met schilfertjes of metaaldeeltjes, of de klopper de bewapening in het steen raakt, wordt een plotselinge en enorme torsiekracht uitgeoefend op het gereedschap/boorbit. **Gebruik altijd de zijhandgreep (hulphandgreep) en houd het gereedschap tijdens het gebruik stevig vast bij zowel de zijhandgreep als de hoofdhandgreep.** Als u dit niet doet, kunt u de controle over het gereedschap verliezen en mogelijk ernstig letsel veroorzaken.

Draai de werksfunctiekeuzeknop naar het symbool .

Plaats de punt van de boor op de plaats waar u een gat wilt boren en knijp dan de trekkerschakelaar in. Forceer het gereedschap niet. Een lichte druk geeft de beste resultaten. Houd het gereedschap zorgvuldig op zijn plaats en zorg dat het niet uit het boorgat raakt.

Oefen niet méér druk uit wanneer het boorgat verstopt raakt met schilfertjes of boorgruis. Laat daarentegen het gereedschap "stationair" draaien en trek de boor gedeeltelijk terug uit het boorgat. Door dit enkele malen te herhalen, kunt u het boorgat gruisvrij maken, zodat u het normale boren kunt hervatten.

OPMERKING: Terwijl het gereedschap onbelast wordt gebruikt, kan de boor excentrisch draaien. Het gereedschap centreert zichzelf automatisch tijdens het gebruik. Dit heeft geen nadelige invloed op de nauwkeurigheid van het boren.

Boren in hout of metaal

⚠ALLET OP: Houd het gereedschap stevig vast en let vooral goed op wanneer het boorbit door het werkstuk heen breekt. Op het moment dat het boorgat doorbreekt wordt een enorme wringende kracht uitgeoefend op het gereedschap/boorbit.


⚠ALLET OP: Een vastgelopen boorbit kan eenvoudig verwijderd worden door de draairichting te veranderen met de omkeerschakelaar, om zo het boorbit eruit te draaien. Houd het gereedschap daarbij wel stevig vast, want er is kans op een plotselinge terugslag.

⚠ALLET OP: Zet het werkstuk altijd vast in een bankschroef of soortgelijke klemvoorziening.

KENNISGEVING: Gebruik nooit "Hamerboren" wanneer de adapterboorkop op het gereedschap is aangebracht. De adapterboorkop kan worden beschadigd.

Bovendien zal de adapterboorkop loskomen wanneer de draairichting van het gereedschap wordt omgekeerd.

KENNISGEVING: Het boren zal niet sneller verlopen als u hard op het gereedschap drukt. In feite zal dergelijk hard drukken alleen maar leiden tot beschadiging van het boorbit, lagere prestaties van het gereedschap en een kortere levensduur van het gereedschap.

Draai de werksfunctiekeuzeknop naar het symbool . Bevestig de boorkopadapter aan een sleutelloze boorkop waarop een schroefmaat 1/2"-20 kan worden aangebracht, en breng deze daarna aan op het gereedschap. Voor het aanbrengen ervan raadpleegt u het tekstdeel "Het boorbit aanbrengen of verwijderen".

► **Fig.22:** 1. Sleutelloze boorkop 2. Boorkopadapter

Luchtblazer

Optioneel accessoire

Nadat het gat geboord is, gebruikt u de luchtblazer om het stof uit het gat te blazen.

► **Fig.23**

De stofvangerset gebruiken

Optioneel accessoire

Houd de stofvangerset tegen het plafond wanneer u het gereedschap bedient.

► **Fig.24**

KENNISGEVING: Gebruik de stofvangerset niet bij het boren in metaal of dergelijke. Door de warmte die wordt gegenereerd door kleine metaaldeeltjes en dergelijke kan de stofvangerset worden beschadigd.

KENNISGEVING: U mag de stofvangerset niet aanbrengen of verwijderen terwijl het boorbit in het gereedschap is aangebracht. Hierdoor kan de stofvangerset worden beschadigd waardoor stof vrijkomt.

ONDERHOUD

⚠ LET OP: Zorg altijd dat het gereedschap is uitgeschakeld en de accu ervan is verwijderd alvorens te beginnen met onderhoud of inspectie.

KENNISGEVING: Gebruik nooit benzine, wasbenzine, thinner, alcohol en dergelijke. Hierdoor kunnen verkleuring, vervormingen en barsten worden veroorzaakt.

Om de VEILIGHEID en BETROUWBAARHEID van het gereedschap te handhaven, dienen alle reparaties, onderhoud of afstellingen te worden uitgevoerd bij een erkend Makita-servicecentrum of de Makita-fabriek, en altijd met gebruik van Makita-vervangingsonderdelen.

OPTIONELE ACCESSOIRES

⚠ LET OP: Deze accessoires of hulpstukken worden aanbevolen voor gebruik met het Makita gereedschap dat in deze gebruiksaanwijzing is beschreven. Bij gebruik van andere accessoires of hulpstukken bestaat het gevaar van persoonlijke letsel. Gebruik de accessoires of hulpstukken uitsluitend voor hun bestemde doel.

Wenst u meer bijzonderheden over deze accessoires, neem dan contact op met het plaatselijke Makita-servicecentrum.

- Boor met een hardmetalen punt (SDS-plus-bits met een hardmetalen punt)
- Kernboor
- Diamantkernboor
- Boorkopadapter
- Sleutelloze boorkop
- Boorvet
- Dieptemaat
- Luchtblazer
- Stofvanger
- Stofvangerset
- Handgreepvoetset
- Veiligheidsbril
- Kunststof koffer

OPMERKING: Sommige items op de lijst kunnen zijn inbegrepen in de doos van het gereedschap als standaard toebehoren. Deze kunnen van land tot land verschillen.

ESPECIFICACIONES

Modelo:		HR1840	HR1841F
Capacidades	Cemento	18 mm	
	Barrena tubular	35 mm	
	Barrena tubular de diamante (tipo seco)	65 mm	
	Acero	13 mm	
	Madera	24 mm	
Velocidad sin carga		0 - 2.100 min ⁻¹	
Percusiones por minuto		0 - 4.800 min ⁻¹	
Longitud total		285 mm	
Peso neto		2,0 - 2,4 kg	2,0 - 2,5 kg
Clase de seguridad		II/III	

- Debido a nuestro continuado programa de investigación y desarrollo, las especificaciones aquí dadas están sujetas a cambios sin previo aviso.
- Las especificaciones pueden ser diferentes de país a país.
- El peso puede variar dependiendo del accesorio(s). La combinación menos pesada y la más pesada, de acuerdo con el procedimiento EPTA 01/2014, se muestran en la tabla.

Uso previsto

La herramienta ha sido prevista para perforar con percusión y perforar en ladrillo, hormigón y piedra. También es apropiada para perforar sin impacto en madera, metal, cerámica y plástico.

Alimentación

La herramienta deberá ser conectada solamente a una fuente de alimentación de la misma tensión que la indicada en la placa de características, y solamente puede ser utilizada con alimentación de CA monofásica. La herramienta tiene doble aislamiento y puede, por lo tanto, utilizarse también en tomas de corriente sin conductor de tierra.

Ruido

El nivel de ruido A-ponderado típico determinado de acuerdo con la norma EN60745:

Modelo HR1840

Nivel de presión sonora (L_{pA}): 87 dB (A)
 Nivel de potencia sonora (L_{WA}): 98 dB (A)
 Error (K): 3 dB (A)

Modelo HR1841F

Nivel de presión sonora (L_{pA}): 87 dB (A)
 Nivel de potencia sonora (L_{WA}): 98 dB (A)
 Error (K): 3 dB (A)

⚠ ADVERTENCIA: Póngase protectores para oídos.

Vibración

El valor total de la vibración (suma de vectores triaxiales) determinado de acuerdo con la norma EN60745:

Modelo HR1840

Modo de trabajo: perforación con percusión en cemento
 Emisión de vibración ($a_{h,HD}$): 10,0 m/s²
 Error (K): 1,5 m/s²
 Modo de trabajo: perforación en metal
 Emisión de vibración ($a_{h,D}$): 3,0 m/s²
 Error (K): 1,5 m/s²

Modelo HR1841F

Modo de trabajo: perforación con percusión en cemento
 Emisión de vibración ($a_{h,HD}$): 7,5 m/s²
 Error (K): 1,5 m/s²
 Modo de trabajo: perforación en metal
 Emisión de vibración ($a_{h,D}$): 3,0 m/s²
 Error (K): 1,5 m/s²

NOTA: El valor de emisión de vibración declarado ha sido medido de acuerdo con el método de prueba estándar y se puede utilizar para comparar una herramienta con otra.

NOTA: El valor de emisión de vibración declarado también se puede utilizar en una valoración preliminar de exposición.

⚠ ADVERTENCIA: La emisión de vibración durante la utilización real de la herramienta eléctrica puede variar del valor de emisión declarado dependiendo de las formas en las que la herramienta sea utilizada.

⚠ ADVERTENCIA: Asegúrese de identificar medidas de seguridad para proteger al operario que estén basadas en una estimación de la exposición en las condiciones reales de utilización (teniendo en cuenta todas las partes del ciclo operativo como las veces cuando la herramienta está apagada y cuando está funcionando en vacío además del tiempo de gatillo).

Declaración CE de conformidad

Para países europeos solamente

La declaración CE de conformidad está incluida como Anexo A de esta manual de instrucciones.

ADVERTENCIAS DE SEGURIDAD

Advertencias de seguridad para herramientas eléctricas en general

⚠️ ADVERTENCIA: Lea todas las advertencias de seguridad, instrucciones, ilustraciones y especificaciones provistas con esta herramienta eléctrica. Si no sigue todas las instrucciones indicadas abajo podrá resultar en una descarga eléctrica, un incendio y/o heridas graves.

Guarde todas las advertencias e instrucciones para futuras referencias.

El término "herramienta eléctrica" en las advertencias se refiere a su herramienta eléctrica de funcionamiento con conexión a la red eléctrica (con cable) o herramienta eléctrica de funcionamiento a batería (sin cable).

ADVERTENCIAS DE SEGURIDAD PARA EL MARTILLO ROTATIVO

1. **Póngase protectores de oídos.** La exposición al ruido puede ocasionar pérdida auditiva.
2. **Utilice el mango(s) auxiliar, si se suministra con la herramienta.** Una pérdida del control puede ocasionar heridas personales.
3. **Cuando realice una operación en la que la herramienta de corte pueda entrar en contacto con cableado oculto o con su propio cable, sujete la herramienta eléctrica solamente por las superficies de asimiento aisladas.** El contacto del accesorio de corte con un cable con corriente hará que la corriente circule por las partes metálicas expuestas de la herramienta eléctrica y podrá soltar una descarga eléctrica al operario.
4. **Póngase casco protector (casco de seguridad), gafas de seguridad y/o pantalla facial.** Las gafas normales o de sol NO sirven para proteger los ojos. También es muy recomendable ponerse una máscara contra el polvo y guantes espesamente acolchados.
5. **Asegúrese de que la broca está sujeta en su sitio antes de iniciar la operación.**

6. La herramienta ha sido diseñada de modo que produzca vibración durante la utilización normal. Los tornillos se pueden aflojar fácilmente, ocasionando una rotura o un accidente. Compruebe con cuidado el apriete de los tornillos antes de iniciar la operación.
7. En clima frío o cuando la herramienta no haya sido utilizada durante un tiempo largo, deje que la herramienta se caliente durante un rato utilizándola sin carga. Esto diluirá la lubricación. Sin un calentamiento apropiado, la operación de percusión resultará difícil.
8. Asegúrese siempre de apoyar los pies firmemente. Asegúrese de que no haya nadie debajo cuando utilice la herramienta en lugares altos.
9. Sujete la herramienta firmemente con ambas manos.
10. Mantenga las manos alejadas de las partes en movimiento.
11. No deje la herramienta en marcha. Tenga en marcha la herramienta solamente cuando la tenga en la mano.
12. No apunte la herramienta hacia nadie que esté en el área cuando la esté utilizando. La broca puede salir despedida y herir a alguien gravemente.
13. No toque la broca, las partes cerca de la broca o la pieza de trabajo inmediatamente después de la operación; podrán estar muy calientes y quemarle la piel.
14. Algunos materiales contienen sustancias químicas que pueden ser tóxicas. Tenga precaución para evitar la inhalación de polvo y el contacto con la piel. Siga los datos de seguridad del abastecedor del material.
15. No toque el enchufe con las manos mojadas.

GUARDE ESTAS INSTRUCCIONES.

⚠️ ADVERTENCIA: No deje que la comodidad o familiaridad con el producto (a base de utilizarlo repetidamente) sustituya la estricta observancia de las normas de seguridad para el producto en cuestión. El MAL USO o el no seguir las normas de seguridad establecidas en este manual de instrucciones podrá ocasionar heridas personales graves.

DESCRIPCIÓN DEL FUNCIONAMIENTO

PRECAUCIÓN: Asegúrese siempre de que la herramienta esté apagada y desenchufada antes de intentar realizar cualquier tipo de ajuste o comprobación en ella.

Accionamiento del interruptor

PRECAUCIÓN: Antes de enchufar la herramienta, compruebe siempre para cerciorarse de que el gatillo interruptor se acciona debidamente y que vuelve a la posición "OFF" cuando lo suelta.

PRECAUCIÓN: El interruptor puede ser bloqueado en posición "encendida" para mayor comodidad del operario durante una utilización prolongada. Tenga precaución cuando bloquee la herramienta en posición "encendida" y mantenga la herramienta firmemente empuñada.

► Fig.1: 1. Gatillo interruptor 2. Botón de desbloqueo

Para poner en marcha la herramienta, simplemente apriete el gatillo interruptor. La velocidad de la herramienta aumenta incrementando la presión en el gatillo interruptor. Suelte el gatillo interruptor para parar.

Para una operación continua, apriete el gatillo interruptor, empuje hacia dentro el botón de bloqueo y después suelte el gatillo interruptor. Para parar la herramienta desde la posición bloqueada, apriete el gatillo interruptor completamente, después suéltelo.

Encendido de la lámpara delantera

Para HR1841F

► Fig.2: 1. Gatillo interruptor 2. Lámpara

PRECAUCIÓN: No mire a la luz ni vea la fuente de luz directamente.

Para encender la lámpara, apriete el gatillo interruptor. Suelte el gatillo interruptor para apagarla.

AVISO: No utilice disolvente o gasolina para limpiar la lámpara. Tales disolventes pueden dañarla.

NOTA: Utilice un paño seco para quitar la suciedad de la lente de la lámpara. Tenga cuidado de no rayar la lente de la lámpara, porque podrá disminuir la iluminación.

Accionamiento del interruptor inversor

PRECAUCIÓN: Confirme siempre la dirección de giro antes de la operación.

AVISO: Utilice el interruptor inversor solamente después de que la herramienta se haya parado completamente. Si cambia la dirección de giro antes de que la herramienta se haya parado podrá dañarla.

AVISO: Cuando cambie la dirección de giro, asegúrese de ajustar el interruptor inversor completamente en la posición ◁ (lado A) o ▷ (lado B). De lo contrario, cuando el gatillo interruptor sea apretado, es posible que el motor no gire o que la herramienta no funcione debidamente.

► Fig.3: 1. Palanca del interruptor inversor


Esta herramienta tiene un interruptor inversor para cambiar la dirección de giro. Mueva la palanca del interruptor inversor a la posición ◁ (lado A) para gire hacia la derecha o a la posición ▷ (lado B) para gire hacia la izquierda.

Selección del modo de accionamiento

AVISO: No gire el pomo de cambio del modo de accionamiento cuando la herramienta esté en marcha. La herramienta se dañará.


AVISO: Para evitar un desgaste rápido del mecanismo de cambio de modo, asegúrese de que el pomo de cambio del modo de accionamiento está siempre situado en uno de los modos de accionamiento.

Giro con percusión

Para perforar en hormigón, mampostería, etc., gire el pomo de cambio del modo de accionamiento hasta el símbolo . Utilice una broca con punta de carburo.

► Fig.4: 1. Pomo de cambio del modo de accionamiento

Giro solamente

Para perforar en madera, metal o materiales de plástico, gire el pomo de cambio del modo de accionamiento hasta el símbolo . Utilice una broca helicoidal o broca para madera.

► Fig.5: 1. Pomo de cambio del modo de accionamiento

Limitador del par de torsión

AVISO: En cuanto se accione el limitador del par de torsión, apague la herramienta inmediatamente. Esto ayudará a evitar un desgaste prematuro de la herramienta.

AVISO: Las brocas tales como las sierras cilíndricas, que tienden a pincharse o engancharse fácilmente en el agujero, no son apropiadas para esta herramienta. Esto es así porque harán que el limitador del par de torsión actúe con mucha frecuencia.

El limitador del par de torsión se acciona cuando se alcanza un cierto nivel de torsión. El motor se desembragará del eje de salida. Cuando ocurra esto, la broca dejará de girar.

MONTAJE

⚠ PRECAUCIÓN: Asegúrese siempre de que la herramienta está apagada y desenchufada antes de realizar cualquier trabajo en la herramienta.

Empuñadura lateral (mango auxiliar)

⚠ PRECAUCIÓN: Utilice siempre la empuñadura lateral para garantizar una operación segura.

⚠ PRECAUCIÓN: Después de instalar o ajustar la empuñadura lateral, asegúrese de que la empuñadura lateral está sujeta firmemente.

Instale la empuñadura lateral de forma que las acanaladuras en la empuñadura encajen en las protuberancias en el barril de la herramienta. Gire la empuñadura hacia la derecha para sujetarla. La empuñadura se puede fijar en el ángulo deseado.

► Fig.6: 1. Empuñadura lateral

Grasa

Cubra el extremo de la espiga de la broca previamente con una pequeña cantidad de grasa (aprox. 0,5 - 1 g). Esta lubricación del mandril asegurará un accionamiento suave y una vida de servicio más larga.

Instalación o desmontaje de la broca

Limpie el extremo de la espiga de la broca y aplique grasa antes de instalar la broca.

► Fig.7: 1. Extremo de la espiga 2. Grasa

Inserte la broca en la herramienta. Gire la broca y empujela hasta que se acople.

Después de instalar la broca, asegúrese siempre de que la broca está sujeta firmemente en su sitio intentando sacarla.

► Fig.8: 1. Broca

Para retirar la broca, tire de la cubierta del mandril hacia abajo a tope y extraiga la broca.

► Fig.9: 1. Broca 2. Cubierta del mandril

Tope de profundidad

El tope de profundidad resulta útil para perforar agujeros de profundidad uniforme. Afloje la empuñadura lateral e inserte el tope de profundidad en el orificio de la empuñadura lateral. Ajuste el tope de profundidad a la profundidad deseada y apriete la empuñadura lateral firmemente.

► Fig.10: 1. Orificio 2. Tope de profundidad

NOTA: Asegúrese de que el tope de profundidad no toca el cuerpo principal de la herramienta cuando lo coloque.

Colector de polvo (accesorio opcional)

Utilice el colector de polvo para evitar que el polvo caiga sobre la herramienta y sobre usted cuando realice operaciones de perforación en lo alto. Coloque el colector de polvo en la broca como se muestra en la figura. El tamaño de las brocas en las que se puede colocar el colector de polvo es como se indica a continuación.

Modelo	Diámetro de la broca
Colector de polvo 5	6 mm - 14,5 mm
Colector de polvo 9	12 mm - 16 mm

► Fig.11: 1. Colector de polvo

Juego colector de polvo (accesorio opcional)

AVISO: Si adquiere el juego colector de polvo como accesorio opcional, la empuñadura lateral estándar no se puede utilizar con el juego colector de polvo estando instalado en la herramienta. Cuando el juego colector de polvo esté instalado en la herramienta, retire la empuñadura de la empuñadura lateral estándar, y después colóquela en el juego de base de empuñadura opcional.

► Fig.12: 1. Perno 2. Empuñadura 3. Juego de base de empuñadura opcional

AVISO: No utilice el juego colector de polvo cuando perforo en metal o similar. El juego colector de polvo se podrá dañar debido al calor producido por el polvo metálico fino o similar. No instale o retire el juego colector de polvo con una broca instalada en la herramienta. El juego colector de polvo se podrá dañar y ocasionar fuga de polvo.

Antes de instalar el juego colector de polvo, retire la broca de la herramienta si está instalada.

Instale el espaciador de forma que las acanaladuras en el espaciador encajen en las protuberancias en el barril de la herramienta mientras lo ensancha. Tenga cuidado para que el resorte no se salga de la comisura del espaciador.

► Fig.13: 1. Espaciador 2. Resorte

► Fig.14

Instale la empuñadura lateral (juego de base de empuñadura opcional y la empuñadura retirada de la empuñadura lateral estándar) de forma que la acanaladura en la empuñadura encaje en la protuberancia en el espaciador. Gire la empuñadura hacia la derecha para sujetarla.

► Fig.15: 1. Empuñadura lateral

Instale el juego colector de polvo de forma que las pinzas del colector de polvo encajen en las comisuras en el espaciador.

► Fig.16: 1. Colector de polvo 2. Pinza

NOTA: Si conecta un aspirador al juego colector de polvo, retire la tapa de polvo antes de conectarlo.

► Fig.17: 1. Tapa de polvo

Para retirar la broca, tire de la cubierta del mandril hacia abajo a tope y extraiga la broca.

► **Fig.18:** 1. Broca 2. Cubierta del mandril

Para retirar el juego colector de polvo, sujete la raíz del colector de polvo y sáquelo.

► **Fig.19**

NOTA: Si la tapa se sale del colector de polvo, colóquela con el lado impreso orientado hacia arriba de tal forma que la acanaladura en la tapa encaje en la periferia interior del accesorio.

► **Fig.20**

OPERACIÓN


PRECAUCIÓN: Utilice siempre la empuñadura lateral (mango auxiliar) y sujete la herramienta firmemente por ambos la empuñadura lateral y el mango del interruptor durante las operaciones.

PRECAUCIÓN: Asegúrese siempre de que la pieza de trabajo está sujeta firmemente antes de iniciar la operación.

► **Fig.21**

Operación de perforación con percusión

PRECAUCIÓN: En el momento de comenzar a penetrar, cuando se atasca el agujero con virutas y partículas, o cuando se topa con varillas de refuerzo incrustadas en el hormigón, se ejerce una tremenda y repentina fuerza de contorsión sobre la herramienta/broca. **Utilice siempre la empuñadura lateral (mango auxiliar) y sujete la herramienta firmemente por ambos la empuñadura lateral y el mango del interruptor durante las operaciones.** De lo contrario, podrá resultar en la pérdida del control de la herramienta y potencialmente heridas graves.

Ajuste el pomo de cambio del modo de accionamiento en el símbolo .

Coloque la broca en el lugar deseado para el agujero, después apriete el gatillo interruptor. No fuerce la herramienta. Los mejores resultados se obtienen con una ligera presión. Mantenga la herramienta en posición y evite que se deslice y salga del agujero.

No aplique más presión cuando el agujero se atasque con virutas o partículas. En su lugar, haga funcionar la herramienta sin ejercer presión, y después saque parcialmente la broca del agujero. Repitiendo esto varias veces, se limpiará el agujero y podrá reanudarse la perforación normal.

NOTA: Es posible que se produzca excentricidad en el giro de la broca mientras la herramienta funciona sin carga. La herramienta se vuelve a centrar automáticamente durante la operación. Esto no afecta a la precisión de perforación.

Perforación en madera o metal


PRECAUCIÓN: Sujete la herramienta firmemente y tenga cuidado cuando la broca comience a penetrar en la pieza de trabajo. En el momento de comenzar a penetrar se ejerce una fuerza tremenda sobre la herramienta/broca.

PRECAUCIÓN: Una broca atascada podrá extraerse simplemente poniendo el interruptor inversor en giro inverso para que retroceda. Sin embargo, la herramienta podrá retroceder bruscamente si no la sujeta firmemente.

PRECAUCIÓN: Sujete siempre las piezas de trabajo en un tornillo de banco o dispositivo de sujeción similar.

AVISO: No utilice nunca “giro con percusión” cuando esté instalado el mandril para taladro en la herramienta. El mandril para taladro podrá dañarse. Además, el mandril para taladro se caerá cuando invierta el giro de la herramienta.

AVISO: Con ejercer una presión excesiva sobre la herramienta no conseguirá perforar más rápido. De hecho, esta presión excesiva sólo servirá para dañar la punta de la broca, disminuir el rendimiento de la herramienta y acortar la vida de servicio de la herramienta.

Ajuste el pomo de cambio del modo de accionamiento en el símbolo .

Coloque el adaptador de mandril en un mandril de broca sin llave en el que se pueda instalar un tornillo de tamaño 1/2"-20, y después instálelos en la herramienta. Cuando lo instale, consulte la sección “Instalación o desmontaje de la broca”.

► **Fig.22:** 1. Mandril de broca sin llave 2. Adaptador de mandril

Soplador

Accesorio opcional

Después de perforar un orificio, utilice el soplador para limpiar el polvo del orificio.

► **Fig.23**

Utilización del juego colector de polvo

Accesorio opcional

Encaje el juego colector de polvo contra el techo cuando utilice la herramienta.

► **Fig.24**

AVISO: No utilice el juego colector de polvo para perforar en metal o un material similar. Esto podría dañar el juego colector de polvo debido al calor producido por las pequeñas partículas metálicas u otras partículas similares.

AVISO: No instale ni extraiga el juego colector de polvo si la broca está instalada en la herramienta. Esto podría dañar el juego colector de polvo y hacer que el polvo se filtre.

MANTENIMIENTO

⚠PRECAUCIÓN: Asegúrese siempre de que la herramienta está apagada y de que el cartucho de batería está retirado antes de intentar hacer una inspección o mantenimiento.

AVISO: No utilice nunca gasolina, bencina, disolvente, alcohol o similares. Podría producir descoloración, deformación o grietas.

Para mantener la SEGURIDAD y FIABILIDAD del producto, las reparaciones, y cualquier otra tarea de mantenimiento o ajuste deberán ser realizadas en centros de servicio o de fábrica autorizados por Makita, empleando siempre repuestos Makita.

ACCESORIOS OPCIONALES

⚠PRECAUCIÓN: Estos accesorios o aditamentos están recomendados para su uso con la herramienta Makita especificada en este manual.

El uso de cualquier otro accesorio o aditamento puede suponer un riesgo de heridas personales. Utilice el accesorio o aditamento solamente con la finalidad indicada para el mismo.

Si necesita cualquier ayuda para más detalles en relación con estos accesorios, pregunte al centro de servicio Makita local.

- Brocas con punta de carburo (brocas con punta de carburo SDS-plus)
- Barrena tubular
- Barrena tubular de diamante
- Adaptador de mandril
- Mandril de broca sin llave
- Grasa para brocas
- Tope de profundidad
- Soplador
- Colector de polvo
- Juego colector de polvo
- Juego de base de empuñadura
- Gafas de seguridad
- Maletín de transporte de plástico

NOTA: Algunos elementos de la lista podrán estar incluidos en el paquete de la herramienta como accesorios estándar. Pueden variar de un país a otro.

ESPECIFICAÇÕES

Modelo:		HR1840	HR1841F
Capacidades	Cimento	18 mm	
	Broca de núcleo	35 mm	
	Broca de núcleo diamantada (tipo seco)	65 mm	
	Aço	13 mm	
	Madeira	24 mm	
Velocidade sem carga		0 - 2.100 min ⁻¹	
Impactos por minuto		0 - 4.800 min ⁻¹	
Comprimento total		285 mm	
Peso líquido		2,0 - 2,4 kg	2,0 - 2,5 kg
Classe de segurança		II/III	

- Devido a um programa contínuo de pesquisa e desenvolvimento, estas especificações podem ser alteradas sem aviso prévio.
- As especificações podem variar de país para país.
- O peso poderá diferir em função do(s) acessório(s). A combinação mais leve e a mais pesada, de acordo com o Procedimento EPTA 01/2014, são apresentadas na tabela.

Utilização prevista

A ferramenta serve para perfuração com martelo e perfuração em tijolo, cimento e pedra. É também adequada para perfurar sem impacto em madeira, metal, cerâmica e plástico.

Alimentação

A ferramenta só deve ser ligada a uma fonte de alimentação com a mesma tensão da indicada na placa de características, e só funciona com alimentação de corrente alternada (CA) monofásica. Tem um sistema de isolamento duplo e pode, por isso, utilizar tomadas sem ligação à terra.

Ruído

A característica do nível de ruído A determinado de acordo com a EN60745:

Modelo HR1840

Nível de pressão acústica (L_{pA}): 87 dB (A)

Nível de potência acústica (L_{WA}): 98 dB (A)

Variabilidade (K): 3 dB (A)

Modelo HR1841F

Nível de pressão acústica (L_{pA}): 87 dB (A)

Nível de potência acústica (L_{WA}): 98 dB (A)

Variabilidade (K): 3 dB (A)

AVISO: Utilize protetores auriculares.

Vibração

Valor total da vibração (soma vetorial tri-axial) determinado de acordo com a EN60745:

Modelo HR1840

Modo de trabalho: perfuração com martelo em cimento

Emissão de vibração ($a_{h,HD}$): 10,0 m/s²

Variabilidade (K): 1,5 m/s²

Modo de trabalho: perfuração em metal

Emissão de vibração ($a_{h,D}$): 3,0 m/s²

Variabilidade (K): 1,5 m/s²

Modelo HR1841F

Modo de trabalho: perfuração com martelo em cimento

Emissão de vibração ($a_{h,HD}$): 7,5 m/s²

Variabilidade (K): 1,5 m/s²

Modo de trabalho: perfuração em metal

Emissão de vibração ($a_{h,D}$): 3,0 m/s²

Variabilidade (K): 1,5 m/s²

NOTA: O valor da emissão de vibração indicado foi medido de acordo com o método de teste padrão e pode ser utilizado para comparar duas ferramentas.

NOTA: O valor da emissão de vibração indicado pode também ser utilizado na avaliação preliminar da exposição.

AVISO: A emissão de vibração durante a utilização real da ferramenta elétrica pode diferir do valor de emissão indicado, dependendo das formas como a ferramenta é utilizada.

AVISO: Certifique-se de identificar as medidas de segurança para proteção do operador que sejam baseadas em uma estimativa de exposição em condições reais de utilização (considerando todas as partes do ciclo de operação, tal como quando a ferramenta está desligada e quando está a funcionar em marcha lenta além do tempo de acionamento).

Declaração de conformidade da CE

Apenas para os países europeus

A declaração de conformidade da CE está incluída como Anexo A neste manual de instruções.

AVISOS DE SEGURANÇA

Avisos gerais de segurança para ferramentas elétricas

⚠️ AVISO: Leia todos os avisos de segurança, instruções, ilustrações e especificações fornecidos com esta ferramenta elétrica. O não cumprimento de todas as instruções indicadas em baixo pode resultar em choque elétrico, incêndio e/ou ferimentos graves.

Guarde todos os avisos e instruções para futuras referências.

O termo "ferramenta elétrica" nos avisos refere-se às ferramentas elétricas ligadas à corrente elétrica (com cabo) ou às ferramentas elétricas operadas por meio de bateria (sem cabo).

AVISOS DE SEGURANÇA PARA MARTELETE ROTATIVO

1. Use protetores auditivos. A exposição ao ruído pode causar perda auditiva.
2. Utilize pega(s) auxiliar(es), se fornecida(s) com a ferramenta. A perda de controlo pode causar ferimentos pessoais.
3. Segure na ferramenta elétrica pelas superfícies de aderência isoladas, quando executar uma operação em que o acessório de corte possa entrar em contacto com fios ocultos ou com o seu cabo. O acessório de corte que entra em contacto com um fio "com corrente" pode passar a corrente para as partes metálicas expostas da ferramenta elétrica e causar choque elétrico ao operador.
4. Use capacete (capacete de segurança), óculos de proteção e/ou viseira. Os óculos com graduação ou óculos de sol NÃO são óculos de segurança. Recomenda-se também o uso de uma máscara antipoeira e luvas forradas grossas.
5. Certifique-se de que a broca está fixa na posição correta antes da operação.
6. Nas condições normais de operação, a ferramenta destina-se a produzir vibração. Os parafusos podem ser facilmente desapertados, causando uma avaria ou acidente. Verifique cuidadosamente o aperto dos parafusos antes da operação.

7. No tempo frio ou no caso de a ferramenta não ter sido utilizada por um longo período, deixe a ferramenta a aquecer durante algum tempo, operando-a sem carga. Isto irá soltar a lubrificação. Sem o aquecimento apropriado, a operação de martelagem torna-se difícil.
8. Certifique-se sempre que possui uma base firme. Certifique-se de que ninguém está por baixo quando usa a ferramenta em locais elevados.
9. Segure a ferramenta firmemente com as duas mãos.
10. Mantenha as mãos afastadas das peças móveis.
11. Não deixe a ferramenta a funcionar. Opere a ferramenta apenas quando a estiver a agarrar.
12. Não aponte a ferramenta a ninguém que se encontre na área quando estiver a operá-la. A broca pode ser projetada e ferir alguém gravemente.
13. Não toque na broca, nas peças próximas da broca ou na peça de trabalho imediatamente após a operação; podem estar extremamente quentes e queimar a sua pele.
14. Alguns materiais contêm químicos que podem ser tóxicos. Tome cuidado para evitar a inalação de poeira e o contacto com a pele. Siga os dados de segurança do fornecedor do material.
15. Não toque na ficha elétrica as mãos molhadas.

GUARDE ESTAS INSTRUÇÕES.

⚠️ AVISO: NÃO permita que conforto ou familiaridade com o produto (adquirido com o uso repetido) substitua a aderência estrita às regras de segurança da ferramenta. MÁ INTERPRETAÇÃO ou não seguimento das regras de segurança estabelecidas neste manual de instruções pode causar danos pessoais sérios.

DESCRIÇÃO FUNCIONAL

⚠️ PRECAUÇÃO: Certifique-se sempre de que a ferramenta está desligada e com a ficha retirada da tomada, antes de proceder a afinações ou de verificar o funcionamento da respetiva ferramenta.

Ação do interruptor

⚠️ PRECAUÇÃO: Antes de ligar a ferramenta à corrente, verifique sempre se o gatilho funciona corretamente e volta para a posição “OFF” quando libertado.

⚠️ PRECAUÇÃO: O interruptor pode ser bloqueado na posição “ligado” para facilidade e conforto de utilização durante a utilização prolongada. Tome todo cuidado quando bloquear a ferramenta na posição “ligado” e mantenha a ferramenta firme e bem segura.

► Fig.1: 1. Gatilho 2. Botão de desbloqueio

Para iniciar a ferramenta, carregue simplesmente no gatilho. A velocidade da ferramenta aumenta quando aumenta a pressão no gatilho. Liberte o gatilho para parar.

Para funcionamento contínuo, puxe o gatilho, empurre o botão de bloqueio para dentro e solte o gatilho. Para parar a ferramenta a partir da posição de bloqueada, puxe o gatilho até ao fim e solte-o.

Acender a lâmpada da frente

Para HR1841F

► Fig.2: 1. Gatilho do interruptor 2. Lâmpada

⚠️ PRECAUÇÃO: Não olhe para a luz ou para a fonte de iluminação diretamente.

Para ligar a lâmpada, puxe o gatilho do interruptor. Solte o gatilho do interruptor para desligá-la.

OBSERVAÇÃO: Não utilize diluente ou gasolina para limpar a lâmpada. Tais solventes podem danificá-la.

NOTA: Utilize um pano seco para limpar a sujidade da lente da lâmpada. Tenha cuidado para não riscar a lente da lâmpada ou a iluminação pode ficar enfraquecida.

Ação do interruptor de inversão

⚠️ PRECAUÇÃO: Verifique sempre a direção de rotação antes da operação.

OBSERVAÇÃO: Só utilize o interruptor de inversão depois de a ferramenta estar completamente parada. Mudar a direção de rotação antes de a ferramenta parar pode estragar a ferramenta.

OBSERVAÇÃO: Quando alterar o sentido de rotação, verifique se ajusta o interruptor de inversão completamente para a posição ◁ (lado A) ou ▷ (lado B). Caso contrário, quando o gatilho do interruptor for puxado, o motor poderá não rodar ou a ferramenta poderá não funcionar adequadamente.

► Fig.3: 1. Alavanca do interruptor de inversão


Esta ferramenta possui um interruptor de inversão para alterar o sentido de rotação. Mova a alavanca do interruptor de inversão para a posição ◁ (lado A) para rotação para a direita ou para a posição ▷ (lado B) para rotação para a esquerda.

Selecionar o modo de ação

OBSERVAÇÃO: Não rode o botão de alteração do modo de ação quando a ferramenta estiver em funcionamento. A ferramenta sofrerá danos.

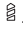
OBSERVAÇÃO: Para evitar o desgaste rápido no mecanismo de alteração do modo, certifique-se de que o botão de alteração do modo de ação está sempre posicionado numa das posições do modo de ação.

Rotação com martelagem

Para perfuração em cimento, alvenaria, etc. rode o botão de alteração do modo de ação para o símbolo . Utilize uma broca de perfurar com ponta de carboneto.

► Fig.4: 1. Botão de alteração do modo de ação

Apenas rotação

Para perfurar em materiais de madeira, metal ou plástico, rode o botão de alteração do modo de ação para o símbolo . Utilize uma broca de perfurar helicoidal ou broca de perfurar em madeira.

► Fig.5: 1. Botão de alteração do modo de ação

Limitador de binário

OBSERVAÇÃO: Logo que o limitador de binário atuar, desligue imediatamente a ferramenta. Isto irá ajudar a prevenir o desgaste prematuro da ferramenta.

OBSERVAÇÃO: As brocas de perfurar, tais como serra-copo com tendência a apertar ou a ficar facilmente presa no orifício, não são apropriadas para esta ferramenta. Isto deve-se ao facto de estas causarem a atuação demasiado frequente do limitador de binário.

O limitador de binário atua quando é atingido um determinado nível de binário. O motor desengata do eixo de saída. Quando isso acontece, a broca de perfurar pára de rodar.

MONTAGEM

⚠️ PRECAUÇÃO: Certifique-se sempre de que a ferramenta está desligada e com a ficha retirada da tomada antes de executar quaisquer trabalhos na ferramenta.

Pega lateral (pega auxiliar)

⚠️ PRECAUÇÃO: Utilize sempre a pega lateral para garantir uma operação segura.

⚠️ PRECAUÇÃO: Após instalar ou ajustar a pega lateral, certifique-se de que a pega lateral está firmemente segura.

Instale o punho lateral de modo a que os entalhes no punho encaixem nas saliências no cilindro da ferramenta. Rode o punho para a direita para fixá-lo. O punho pode ser fixo no ângulo pretendido.

► Fig.6: 1. Pega lateral

Massa lubrificante

Aplique previamente uma pequena camada de massa lubrificante (cerca de 0,5 - 1 g) na extremidade da haste da broca de perfurar.

Esta lubrificação do mandril garante uma ação sem problemas e uma vida útil mais prolongada.

Instalar ou remover a broca de perfurar

Limpe a extremidade da haste da broca de perfurar e aplique massa lubrificante antes de instalar a broca de perfurar.

► Fig.7: 1. Extremidade da haste 2. Massa lubrificante

Insira a broca de perfurar na ferramenta. Rode a broca de perfurar e empurre-a para dentro até engatar. Após instalar a broca de perfurar, certifique-se de que a broca de perfurar está bem segura na posição correta, tentando retirá-la.

► Fig.8: 1. Broca de perfurar

Para remover a broca de perfurar, puxe a tampa do mandril completamente para baixo e extraia a broca de perfurar.

► Fig.9: 1. Broca de perfurar 2. Tampa do mandril

Micrômetro de profundidade

O micrômetro de profundidade é conveniente para perfurar orifícios de profundidade uniforme. Solte o punho lateral e insira o micrômetro de profundidade no orifício no punho lateral. Ajuste o micrômetro de profundidade para a profundidade pretendida e aperte firmemente o punho lateral.

► Fig.10: 1. Orifício 2. Micrômetro de profundidade

NOTA: Certifique-se de que o micrômetro de profundidade não toca no corpo principal da ferramenta quando o liga.

Reservatório de pó (acessório opcional)

Utilize o reservatório de pó para evitar que o pó caia sobre a ferramenta e sobre si quando realizar operações de perfuração acima da cabeça. Ligue o reservatório de pó à broca, conforme indicado na figura. O tamanho das brocas às quais o reservatório de pó pode ser ligado é o seguinte.

Modelo	Diâmetro da broca
Reservatório de pó 5	6 mm - 14,5 mm
Reservatório de pó 9	12 mm - 16 mm

► Fig.11: 1. Reservatório de pó

Conjunto do reservatório de pó (acessório opcional)

OBSERVAÇÃO: Se comprar o conjunto do reservatório de pó como acessório opcional, o punho lateral padrão não pode ser utilizado quando o conjunto do reservatório de pó estiver a ser instalado na ferramenta. Quando o conjunto do reservatório de pó estiver instalado na ferramenta, remova o punho do punho lateral padrão e, de seguida, anexe-o no conjunto da base do punho opcional.

► Fig.12: 1. Perno 2. Punho 3. Conjunto da base do punho opcional

OBSERVAÇÃO: Não utilize o conjunto do reservatório de pó quando perfurar em metal ou similar. Poderá danificar o conjunto do reservatório de pó devido ao calor produzido por pó metálico pequeno ou similar. Não instale ou remova o conjunto do reservatório de pó com a broca de perfurar instalada na ferramenta. Poderá danificar o conjunto do reservatório de pó e causar uma fuga de pó.

Antes de instalar o conjunto do reservatório de pó, remova a broca da ferramenta, caso instalada. Instale o espaçador de modo a que os entalhes no espaçador encaixem nas saliências no cilindro da ferramenta enquanto o expande. Tenha cuidado para que a mola não saia da fenda do espaçador.

► Fig.13: 1. Espaçador 2. Mola

► Fig.14

Instale o punho lateral (conjunto da base do punho opcional e o punho removido do punho lateral padrão) de modo a que o entalhe no punho encaixe na saliência no espaçador. Rode o punho para a direita para fixá-lo.

► Fig.15: 1. Punho lateral

Instale o conjunto do reservatório de pó de modo a que as garras do reservatório de pó encaixem nas fendas no espaçador.

► Fig.16: 1. Reservatório de pó 2. Garra

NOTA: Se ligar um aspirador ao conjunto do reservatório de pó, remova a tampa de pó antes de ligá-lo.

► Fig.17: 1. Tampa de pó

Para remover a broca de perfurar, puxe a tampa do mandril completamente para baixo e extraia a broca de perfurar.

► Fig.18: 1. Broca 2. Tampa do mandril

Para remover o conjunto do reservatório de pó, segure na base do reservatório de pó e extraia-o.

► Fig.19

NOTA: Se a tampa sair do reservatório de pó, ligue-a com o lado impresso virado para cima, de modo a que a ranhura na tampa encaixe na periferia interior do acessório.

► Fig.20

OPERAÇÃO

PRECAUÇÃO: Utilize sempre o punho lateral (pega auxiliar) e segure firmemente a ferramenta pelos dois punhos laterais e troque a pega durante as operações.

PRECAUÇÃO: Certifique-se sempre de que a peça de trabalho está fixa antes da operação.

► Fig.21

Operação de perfuração com martelo

PRECAUÇÃO: Uma força de torção enorme e repentina é exercida na ferramenta/broca de perfuração na altura em que o orifício avança, quando o orifício fica bloqueado com aparas ou partículas ou quando bate em vigas reforçadas no cimento. Utilize sempre o punho lateral (pega auxiliar) e segure firmemente a ferramenta pelos dois punhos laterais e troque a pega durante as operações. Se assim não for pode resultar em perda de controlo da ferramenta e possíveis ferimentos graves.

Defina o botão de alteração do modo de ação para o símbolo

Coloque a broca de perfurar na posição pretendida para o orifício e carregue no gatilho do interruptor. Não force a ferramenta. Uma pressão ligeira oferece melhores resultados. Mantenha a ferramenta em posição e evite que deslize para fora do orifício.

Não aplique mais pressão quando o orifício fica bloqueado com aparas ou partículas. Em vez disso, coloque a ferramenta em ponto morto e retire a broca de perfurar parcialmente do orifício. Repetindo isto várias vezes, o orifício ficará limpo e pode voltar à perfuração normal.

NOTA: A excentricidade na rotação da broca de perfurar poderá ocorrer enquanto opera a ferramenta sem carga. A ferramenta centra-se automaticamente durante a operação. Isto não afeta a precisão de perfuração.

Perfuração em madeira ou metal

PRECAUÇÃO: Segure a ferramenta com firmeza e tenha cuidado quando a broca de perfuração começar a atravessar a peça de trabalho. No momento de atravessar o orifício, exercer-se-á uma enorme força na ferramenta/broca de perfuração.

PRECAUÇÃO: Uma broca de perfuração presa pode ser retirada colocando-se simplesmente o interruptor de inversão para rotação inversa para fazê-la sair. No entanto, a ferramenta pode saltar para trás de repente se não a agarrar firmemente.

PRECAUÇÃO: Fixe sempre as peças de trabalho num torno ou outro dispositivo de fixação semelhante.

OBSERVAÇÃO: Nunca utilize “rotação com martelagem” quando o mandril porta-broca estiver instalado na ferramenta. O mandril porta-brocas sofrerá danos. Além disso, o mandril porta-brocas será extraído quando a ferramenta efetuar a rotação.

OBSERVAÇÃO: Não acelerará a perfuração se exercer demasiada pressão na ferramenta. Na realidade, esta pressão excessiva servirá apenas para danificar a ponta da broca de perfuração, diminuir o desempenho da ferramenta e encurtar o tempo de vida útil da ferramenta.

Defina o botão de alteração do modo de ação para o símbolo

Anexe o adaptador do mandril a um mandril da broca sem chave ao qual pode ser instalado um parafuso de tamanho 1/2"-20 e, de seguida, instale-os à ferramenta. Quando instalar o conjunto do mandril porta-brocas, consulte a secção "Instalar ou remover a broca de perfurar".

► Fig.22: 1. Mandril da broca sem chave 2. Adaptador do mandril

Ampola de sopragem

Acessório opcional

Após perfurar o orifício, utilize a ampola de sopragem para limpar o pó do orifício.

► Fig.23

Utilizar o conjunto do reservatório de pó

Acessório opcional

Encaixe o conjunto do reservatório de pó contra o teto quando operar a ferramenta.

► Fig.24

OBSERVAÇÃO: Não utilize o conjunto do reservatório de pó para perfurar em metal ou materiais similares. Pode danificar o conjunto do reservatório de pó devido ao calor produzido por pó metálico pequeno ou outro similar.

OBSERVAÇÃO: Não instale ou remova o conjunto do reservatório de pó com a broca de perfurar instalada na ferramenta. Pode danificar o conjunto do reservatório de pó e causar a fuga de pó.

MANUTENÇÃO

⚠️ PRECAUÇÃO: Certifique-se sempre de que a ferramenta se encontra desligada e de que a bateria foi retirada antes de executar qualquer inspeção ou manutenção.

OBSERVAÇÃO: Nunca utilize gasolina, benzina, diluente, álcool ou produtos semelhantes. Pode ocorrer a descoloração, deformação ou rachaduras.

Para manter a SEGURANÇA e a FIABILIDADE do produto, as reparações e qualquer outra manutenção ou ajuste devem ser levados a cabo pelos centros de assistência Makita autorizados ou pelos centros de assistência de fábrica, utilizando sempre peças de substituição Makita.

ACESSÓRIOS OPCIONAIS

⚠️ PRECAUÇÃO: Estes acessórios ou peças são recomendados para utilização com a ferramenta Makita especificada neste manual. A utilização de outros acessórios ou peças pode ser perigosa para as pessoas. Utilize apenas acessórios ou peças para os fins indicados.

Se necessitar de informações adicionais relativas a estes acessórios, solicite-as ao seu centro de assistência Makita.

- Brocas de perfurar com ponta de carboneto (brocas de perfurar com ponta de carboneto SDS-plus)
- Broca de núcleo
- Broca de núcleo diamantada
- Adaptador do mandril
- Mandril da broca sem chave
- Massa lubrificante da broca
- Micrómetro de profundidade
- Ampola de sopragem
- Reservatório de pó
- Conjunto do reservatório de pó
- Conjunto da base do punho
- Óculos de segurança
- Mala de transporte em plástico

NOTA: Alguns itens da lista podem estar incluídos na embalagem da ferramenta como acessórios padrão. Eles podem variar de país para país.

SPECIFIKATIONER

Model:		HR1840	HR1841F
Kapacitet	Beton	18 mm	
	Kernebit	35 mm	
	Diamantkernebit (tør type)	65 mm	
	Stål	13 mm	
	Træ	24 mm	
Hastighed uden belastning		0 - 2.100 min ⁻¹	
Slag pr. minut		0 - 4.800 min ⁻¹	
Længde i alt		285 mm	
Nettovægt		2,0 - 2,4 kg	2,0 - 2,5 kg
Sikkerhedsklasse		□/II	

- På grund af vores kontinuerlige forsknings- og udviklingsprogrammer kan hosstående specifikationer blive ændret uden varsel.
- Specifikationer kan variere fra land til land.
- Vægten kan være anderledes afhængigt af tilbehøret. Den letteste og tungeste kombination i henhold til EPTA-procedure 01/2014 er vist i tabellen.

Tilsigtet brug

Denne maskine er beregnet til slagboring og boring i mursten, beton og sten.

Den er også egnet til boring uden slag i træ, metal, keramik og plastik.

Strømforsyning

Maskinen må kun tilsluttes en strømforsyning med samme spænding som angivet på typeskiltet og kan kun anvendes på enfaset vekselstrømforsyning. Den er dobbeltisoleret og kan derfor også tilsluttes netstik uden jordforbindelse.

Lyd

Det typiske A-vægtede støjniveau bestemt i overensstemmelse med EN60745:

Model HR1840

Lydtrykniveau (L_{pA}): 87 dB (A)

Lydeffektniveau (L_{WA}): 98 dB (A)

Usikkerhed (K): 3 dB (A)

Model HR1841F

Lydtrykniveau (L_{pA}): 87 dB (A)

Lydeffektniveau (L_{WA}): 98 dB (A)

Usikkerhed (K): 3 dB (A)

⚠ ADVARSEL: Bær høreværn.

Vibration

Vibrationens totalværdi (tre-aksial vektorsum) bestemt i overensstemmelse med EN60745:

Model HR1840

Arbejdstilstand: slagboring i beton

Vibrationsafgivelse ($a_{h,HD}$): 10,0 m/s²

Usikkerhed (K): 1,5 m/s²

Arbejdstilstand: boring i metal
Vibrationsemission ($a_{h,D}$): 3,0 m/s²
Usikkerhed (K): 1,5 m/s²

Model HR1841F

Arbejdstilstand: slagboring i beton

Vibrationsafgivelse ($a_{h,HD}$): 7,5 m/s²

Usikkerhed (K): 1,5 m/s²

Arbejdstilstand: boring i metal

Vibrationsemission ($a_{h,D}$): 3,0 m/s²

Usikkerhed (K): 1,5 m/s²

BEMÆRK: Den angivne vibrationsemissionsværdier blevet målt i overensstemmelse med standardtestmetoden og kan anvendes til at sammenligne et værktøj med et andet.

BEMÆRK: Den angivne vibrationsemissionsværdier kan også anvendes i en præliminær eksponeringsvurdering.

⚠ ADVARSEL: Vibrationsemissionen under den faktiske anvendelse af værktøjet kan være forskellig fra den erklærede emissionsværdi, afhængigt af den måde, hvorpå værktøjet anvendes.

⚠ ADVARSEL: Sørg for at identificere de sikkerhedsforskrifter til beskyttelse af operatøren, som er baseret på en vurdering af eksponering under de faktiske brugsforhold (med hensyntagen til alle dele i brugscyklussen, f.eks. de gange, hvor værktøjet er slukket, og når det kører i tomgang i tilgift til afbrydertiden).

EU-overensstemmelseserklæring

Kun for lande i Europa

EU-overensstemmelseserklæringen er inkluderet som Bilag A i denne brugsanvisning.

SIKKERHEDSADVARSLER

Almindelige sikkerhedsregler for el-værktøj

⚠ ADVARSEL: Læs alle de sikkerhedsadvarsler, instruktioner, illustrationer og specifikationer, der følger med denne maskine. Forsømmelse af at overholde alle nedenstående instruktioner kan medføre elektrisk stød, brand og/eller alvorlig personskade.

Gem alle advarsler og instruktioner til fremtidig reference.

Ordet "el-værktøj" i advarslerne henviser til det netforsynede (netledning) el-værktøj eller batteriforsynede (akku) el-værktøj.

SIKKERHEDSADVARSLER FOR BOREHAMMER

1. **Bær høreværn.** Udsættelse for støj kan medføre høreskader.
2. **Brug hjælpehåndtaget (-håndtagene), hvis sådanne følger med maskinen.** Hvis herredømmet over maskinen mistes, kan det føre til tilskadekomst.
3. **Hold maskinen i de isolerede grebflader, når der udføres et arbejde, hvor skæretilbehøret kan komme i kontakt med skjulte ledninger eller dens egen ledning.** Skæretilbehør, som kommer i kontakt med en strømførende ledning, kan gøre maskinens ikke-isolerede metaldele strømførende, hvilket kan give operatøren elektrisk stød.
4. **Bær hjelm (sikkerhedshjelm), sikkerhedsbriller og/eller ansigtsskjold.** Almindelige briller eller solbriller er IKKE sikkerhedsbriller. Det anbefales desuden på det kraftigste at bære støvmaske og kraftigt polstrede handsker.
5. **Sørg for, at bitten sidder godt fast før brugen.**
6. **Maskinen er designet til at forårsage vibration ved normal brug.** Skruerne kan nemt løse sig og medføre et nedbrud eller en ulykke. **Kontroller før brugen, at skruerne sidder stramt.**
7. **I koldt vejr, eller hvis maskinen ikke har været anvendt i længere tid, skal du lade maskinen varme op et stykke tid ved at lade den køre i tomgang.** Derved blødgøres smøremidlet. Uden korrekt opvarmning kan det være vanskeligt at betjene hammeren.
8. **Vær altid sikker på, at De har et godt fodfæste.** Vær sikker på, at der ikke befinder sig nogen nederunder, når maskinen anvendes i højden.
9. **Hold godt fast i maskinen med begge hænder.**
10. **Hold hænderne på afstand fra bevægelige dele.**
11. **Lad ikke maskinen køre i tomgang.** Anvend kun maskinen håndholdt.
12. **Ret ikke maskinen mod personer i nærheden, mens den kører.** Bitten kan flyve ud og forårsage alvorlig personskade.
13. **Rør ikke ved bitten eller dele i nærheden af bitten eller arbejdsområdet umiddelbart efter brugen.** De kan være meget varme og kan forårsage forbrændinger af huden.

14. **Nogle materialer indeholder kemikalier, som kan være giftige.** Vær påpasselig med at forhindre inhalering af støv og hudkontakt. Følg materiale-leverandørens sikkerhedsdata.
15. **Undlad at berøre strømforsyningsstikket med våde hænder.**

GEM DENNE BRUGSANVISNING.

⚠ ADVARSEL: LAD IKKE bekvemmelighed eller kendskab til produktet (opnået gennem gentagen brug) forhindre, at sikkerhedsforskrifterne for produktet nøje overholdes. MISBRUG eller forsømmelse af at følge de i denne brugsvejledning givne sikkerhedsforskrifter kan føre til, at De kommer alvorligt til skade.

FUNKTIONSBESKRIVELSE

⚠ FORSIGTIG: Kontrollér altid, at maskinen er slået fra, og at netstikket er trukket ud, før der udføres justeringer, eller funktioner kontrolleres på maskinen.

Afbryderbetjening

⚠ FORSIGTIG: Før maskinen sættes i stikkontakten, skal De altid kontrollere, at afbryderknappen fungerer korrekt og returnerer til "OFF"-positionen, når den slippes.

⚠ FORSIGTIG: Afbryderen kan låses i "TIL"-positionen af hensyn til operatørens komfort ved længerevarende brug. Vær forsigtig, når maskinen låses i "TIL"-positionen, og hold godt fast i maskinen.

► Fig. 1: 1. Afbryderknop 2. Lås fra-knapp

For at starte maskinen trykkes der blot på afbryderknappen. Maskinens hastighed øges ved at øge trykket på afbryderknappen. Slip afbryderknappen for at stoppe.

For kontinuerlig brug skal du trykke på afbryderknappen, trykke låseknappen ind og derefter slippe afbryderknappen. For at stoppe maskinen fra låst position skal du trykke afbryderknappen helt ind og derefter slippe den.

Tænding af lampen foran

For HR1841F

► Fig. 2: 1. Afbryderknop 2. Lampe

⚠ FORSIGTIG: Kig aldrig direkte på lyskilden. Lad ikke lyset falde i Deres øjne.

Tryk på afbryderknappen for at tænde lampen. Slip afbryderknappen for at slukke den.

BEMÆRKNING: Anvend ikke fortynder eller benzin til at rengøre lampen. Sådanne opløsningsmidler kan beskadige den.

BEMÆRK: Brug en tør klud til at tørre snavset af lampens linse. Pas på ikke at ride lampens linse, da dette muligvis kan dæmpe belysningen.

Omløbsvælgerbetjening

⚠ FORSIGTIG: Kontrollér altid omløbsretningen, inden arbejdet påbegyndes.

BEMÆRKNING: Flyt kun omløbsvælgeren, når maskinen er helt standset. Hvis omløbsretningen ændres, inden maskinen er helt stoppet, kan det beskadige maskinen.

BEMÆRKNING: Når du skifter rotationsretning, skal du sørge for at sætte omløbsvælgeren helt i position ◁ (A-siden) eller ▷ (B-siden). Ellers vil motoren muligvis ikke rotere, eller maskinen fungerer muligvis ikke korrekt, når der trykkes på afbryderknappen.

► Fig.3: 1. Omløbsvælger


Maskinen har en omløbsvælger til at ændre rotationsretningen. Flyt omløbsvælgergrebet til position ◁ (A-siden) for rotation i retningen med uret eller til position ▷ (B-siden) for rotation i retningen mod uret.

Valg af funktionsmåden

BEMÆRKNING: Undlad at dreje omskifterknappen til ændring af funktionsmåde, mens maskinen kører. Maskinen vil blive beskadiget.


BEMÆRKNING: For at undgå hurtigt slid på mekanismen til funktionsskift skal du sikre dig, at omskifterknappen til ændring af funktionsmåde altid er forsvarligt placeret i en af funktionspositionerne.

Rotation med hamring

Ved boring i beton, murværk osv. skal omskifterknappen til ændring af funktionsmåde drejes til -symbolet. Brug en karbidforstærket borebit.

► Fig.4: 1. Omskifterknap til ændring af funktionsmåde

Kun rotation

Ved boring i træ, metal eller plastikmaterialer skal omskifterknappen til ændring af funktionsmåde drejes til -symbolet. Brug en snegleborsbit eller en træborsbit.

► Fig.5: 1. Omskifterknap til ændring af funktionsmåde

Momentbegrænser

BEMÆRKNING: Så snart momentbegrænsingen udløses, skal du med det samme slukke for maskinen. Dette hjælper med til at forhindre, at maskinen nedslides for tidligt.

BEMÆRKNING: Borebits som f.eks. hulsave, der nemt kommer i klemme eller sætter sig fast i hullet, er ikke egnede til brug sammen med denne maskine. Dette skyldes, at de vil få momentbegrænseren til at blive udløst for tit.

Momentbegrænseren udløses, når et vist momentniveau nås. Motoren vil koble fra udgangsakslen. Når dette sker, holder borebitten op med at dreje rundt.

SAMLING

⚠ FORSIGTIG: Sørg altid for, at maskinen er slukket og taget ud af forbindelse, inden der udføres nogen form for arbejde på maskinen.

Sidehåndtag (ekstra håndtag)

⚠ FORSIGTIG: Brug altid sidehåndtaget for sikker betjening.

⚠ FORSIGTIG: Efter montering eller justering af sidehåndtaget skal du sikre dig, at sidehåndtaget er sikkert fastgjort.

Monter sidehåndtaget, så rillerne på håndtaget passer i fremspringene på maskincylindren. Drej håndtaget i retning med uret for at fastgøre det. Håndtaget kan fastgøres i den ønskede vinkel.

► Fig.6: 1. Sidehåndtag

Fedtstof

Dæk skaftenden af borebitten med en lille smule fedtstof (cirka 0,5 - 1 g) på forhånd.

Denne smøring af patronen sikrer en jævn funktion og længere levetid.

Montering eller afmontering af borebitten

Rengør skaftenden på borebitten, og påsmør fedtstof, før borebitten monteres.

► Fig.7: 1. Skaftende 2. Fedtstof

Sæt borebitten i maskinen. Drej borebitten, og tryk den ind, indtil den griber fat.

Efter montering af borebitten skal du altid sikre dig, at borebitten sidder godt fast, ved at forsøge at trække den ud.

► Fig.8: 1. Borebit

For at fjerne borebitten skal du trække patrondækslet helt ned og derefter trække borebitten ud.

► Fig.9: 1. Borebit 2. Patrondæksel

Dybdemåler

Dybdemåleren er praktisk til at bore huller med den samme dybde. Løsn sidehåndtaget, og isæt dybdemåleren i hullet på sidehåndtaget. Juster dybdemåleren, så den har den ønskede dybde, og spænd derefter sidehåndtaget godt til.

► Fig.10: 1. Hul 2. Dybdemåler

BEMÆRK: Sørg for, at dybdemåleren ikke berører maskinens kabinet, når den monteres.

Støvopsamler (ekstraudstyr)

Brug støvopsamleren til at undgå, at støv falder ned over maskinen og dig selv, når du borer over hovedet på dig selv. Monter støvopsamleren på bittens som vist i figuren. Størrelsen af de bits, som støvopsamleren kan monteres på, er som følger.

Model	Bitdiameter
Støvopsamler 5	6 mm - 14,5 mm
Støvopsamler 9	12 mm - 16 mm

► Fig.11: 1. Støvopsamler

Støvopsamlersæt (ekstraudstyr)

BEMÆRKNING: Hvis du køber støvopsamlersættet som ekstraudstyr, kan standardsidehåndtaget ikke anvendes, når støvopsamlersættet er monteret på maskinen. Når støvopsamlersættet er monteret på maskinen, skal du fjerne håndtaget fra standardsidehåndtaget og derefter montere det på håndtagsbasesættet, der fås som ekstraudstyr.

► Fig.12: 1. Bolt 2. Håndtag 3. Valgfrit håndtagsbasesæt

BEMÆRKNING: Brug ikke støvopsamlersættet, når du borer i metal eller lignende. Det kan beskadige støvopsamlersættet på grund af den varme, som fint metalstøv eller lignende frembringer. Undlad at montere eller fjerne støvopsamlersættet, mens borebitten er monteret på maskinen. Det kan beskadige støvopsamlersættet og forårsage lækage af støv.

Tag bitten ud af maskinen, hvis den er monteret, før støvopsamlersættet monteres.

Monter afstandsstykket, så rillerne på afstandsstykket passer i fremspringene på maskincylinderen, når det udvides. Sørg omhyggeligt for, at fjederen ikke stikker ud fra revnen på afstandsstykket.

► Fig.13: 1. Afstandsstykke 2. Fjeder

► Fig.14

Monter sidehåndtaget (valgfrit håndtagsbasesæt og håndtaget fjernet fra standardsidehåndtaget), så rillen på håndtaget passer i fremspringet på afstandsstykket. Drej håndtaget i retning med uret for at fastgøre det.

► Fig.15: 1. Sidehåndtag

Monter støvopsamlersættet, så klørerne på støvopsamleren passer i revnerne på afstandsstykket.

► Fig.16: 1. Støvopsamler 2. Klo

BEMÆRK: Hvis du forbinder en støvsuger til støvopsamlersættet, skal du fjerne støvhætten, før du tilslutter den.

► Fig.17: 1. Støvhætte

For at fjerne borebitten skal du trække patrondækslet helt ned og derefter trække borebitten ud.

► Fig.18: 1. Bit 2. Patrondæksel

Du fjerner støvopsamlersættet ved at holde i roden af støvopsamleren og trække den ud.

► Fig.19

BEMÆRK: Hvis hættten falder af støvopsamleren, skal du montere den med den trykte side opad, så rillen på hættten passer i den indvendige kant af tilbehørsdelen.

► Fig.20

ANVENDELSE


⚠FORSIGTIG: Brug altid sidehåndtaget (ekstra håndtag), og hold godt fast i maskinen i både sidehåndtaget og omskifterhåndtaget under brug.

⚠FORSIGTIG: Sørg altid for, at arbejdsemnet er fastgjort før anvendelsen.

► Fig.21

Hammerboring

⚠FORSIGTIG: Maskinen/borebitten udsættes for kraftig og pludselig vridning på det tidspunkt, hvor der brydes igennem hullet, når hullet bliver tilstoppet med spåner og partikler, eller hvis forstærkningsrørene i betonen rammes. **Brug altid sidehåndtaget (ekstra håndtag), og hold godt fast i maskinen i både sidehåndtaget og omskifterhåndtaget under brug.** Hvis du ikke gør dette, kan det medføre tab af kontrol- len og risiko for alvorlig personskade.

Indstil omskifterknappen til ændring af funktionsmåde til -symbolet.

Anbring borebitten på det ønskede sted, hvor hullet skal være, og tryk derefter afbryderknappen ind. Anvend ikke magt på maskinen. Et let tryk giver det bedste resultat. Hold maskinen i stilling, og sørg for at forhindre, at den glider væk fra hullet.

Udøv ikke et større tryk, når hullet bliver tilstoppet af spåner eller partikler. Kør i stedet maskinen i tomgang, og fjern derefter borebitten delvist fra hullet. Ved at gentage dette flere gange vil hullet blive rensset ud, og normal boring kan genoptages.

BEMÆRK: Der kan forekomme excentricitet i borebittens rotation, når maskinen betjenes uden belastning. Maskinen centrerer automatisk sig selv under brug. Dette har ikke betydning for præcisionen under boring.

Boring i træ eller metal


⚠FORSIGTIG: Hold godt fast i maskinen og udvis forsigtighed, når borebitten begynder at bryde igennem arbejdsstykket. Maskinen/borebitten udsættes for en kraftig påvirkning på det tidspunkt, hvor der brydes igennem hullet.

⚠FORSIGTIG: En borebit, der har sat sig fast, kan fjernes ved at man ganske enkelt sætter omløbsvælgeren til baglæns rotation for at bakke ud. Imidlertid kan maskinen pludselig bakke ud, hvis man ikke holder godt fast i den.

⚠FORSIGTIG: Fastgør altid arbejdsemner i en skruestik eller lignende udstyr til fastgørelse.

BEMÆRKNING: Brug aldrig "rotation med hammering", når borepatronen er monteret på maskinen. Borepatronen kan blive beskadiget. Borepatronen vil desuden blive frigjort, når maskinen kører baglæns.

BEMÆRKNING: Et kraftigere tryk på maskinen vil ikke gøre boringen hurtigere. Faktisk vil et kraftigere tryk kun føre til skade på spidsen af borebitten, nedsætte maskinen ydelse og afkorte maskinens levetid.

Indstil omskifterknappen til ændring af funktionsmåde til -symbolet.

Monter patronadapteren på en nøglefri borepatron, hvor der kan monteres en skrue i størrelse 1/2"-20, og monter dem derefter på maskinen. Se "Isætning eller fjernelse af borebit" under monteringen.

► **Fig.22:** 1. Nøglefri borepatron 2. Patronadapter

Udblæsningskolbe

Ekstraudstyr

Når hullet er boret, skal du bruge udblæsningskolben til at fjerne støv fra hullet.

► **Fig.23**

Brug af støvopsamlersættet

Ekstraudstyr

Monter støvopsamlersættet mod loftet under betjening af maskinen.

► **Fig.24**

BEMÆRKNING: Brug ikke støvopsamlersættet, når du borer i metal eller lignende. Dette kan beskadige støvopsamlersættet på grund af den varme, som fint metalstøv eller lignende frembringer.

BEMÆRKNING: Undlad at montere eller fjerne støvopsamlersættet, mens borebitten er monteret på maskinen. Dette kan beskadige støvopsamlersættet og forårsage lækage af støv.

VEDLIGEHOLDELSE

▲FORSIGTIG: Vær altid sikker på, at værktøjet er slukket, og at akkuen er taget ud, inden De begynder at udføre inspektion eller vedligeholdelse.

BEMÆRKNING: Anvend aldrig benzin, rensebenzin, fortynder, alkohol og lignende. Det kan medføre misfarvning, deformation eller revner.

For at opretholde produktets SIKKERHED og PALIDELIGHED må reparation, vedligeholdelse eller justering kun udføres af et autoriseret Makita servicecenter eller fabrikksservicecenter med anvendelse af Makita reservedele.

EKSTRAUDSTYR

▲FORSIGTIG: Det følgende tilbehør og ekstraudstyr er anbefalet til brug med Deres Makita maskine, der er beskrevet i denne brugsanvisning. Anvendelse af andet tilbehør eller ekstraudstyr kan udgøre en risiko for personskade. Anvend kun tilbehør og ekstraudstyr til det beskrevne formål.

Hvis De behøver hjælp ved valg af tilbehør eller ønsker yderligere informationer, bedes De kontakte Deres lokale Makita servicecenter.

- Karbidforstærkede borebits (SDS-plus karbidforstærkede bits)
- Kernebit
- Diamantkernebit
- Patronadapter
- Nøglefri borepatron
- Smørelse til bit
- Dybdemåler
- Udblæsningskolbe
- Støvsamler
- Støvsamlersæt
- Håndtagsbasesæt
- Beskyttelsesbriller
- Plastikbæretaske

BEMÆRK: Nogle ting på denne liste kan være inkluderet i værktøjspakken som standardtilbehør. Det kan være forskellige fra land til land.

ΠΡΟΔΙΑΓΡΑΦΕΣ

Μοντέλο:		HR1840	HR1841F
Ικανότητες	Τσιμέντο	18 mm	
	Μύτη πυρήνα	35 mm	
	Μύτη αδαμάντινου πυρήνα (ξηρού τύπου)	65 mm	
	Ατσάλι	13 mm	
	Ξύλο	24 mm	
Ταχύτητα χωρίς φορτίο		0 - 2.100 min ⁻¹	
Κρούσεις το λεπτό		0 - 4.800 min ⁻¹	
Συνολικό μήκος		285 mm	
Καθαρό βάρος		2,0 - 2,4 kg	2,0 - 2,5 kg
Κατηγορία ασφάλειας		☐/II	

- Λόγω του συνεχόμενου προγράμματος που εφαρμόζουμε για έρευνα και ανάπτυξη, τα τεχνικά χαρακτηριστικά στο παρόν έντυπο υπόκεινται σε αλλαγή χωρίς προειδοποίηση.
- Τα τεχνικά χαρακτηριστικά μπορεί να διαφέρουν από χώρα σε χώρα.
- Το βάρος μπορεί να διαφέρει ανάλογα με το(α) εξάρτημα(τα). Ο ελαφρύτερος και βαρύτερος συνδυασμός, σύμφωνα με τη διαδικασία ΕΡΤΑ 01/2014, απεικονίζονται στον πίνακα.

Προβλεπόμενη χρήση

Το εργαλείο προορίζεται για κρουστικό τρυπάνισμα και τρυπάνισμα σε τούβλα, τσιμέντο και πέτρα. Είναι επίσης κατάλληλο για διάτρηση χωρίς κρούση σε ξύλο, μέταλλο, κεραμικό και πλαστικό.

Ηλεκτρική παροχή

Το εργαλείο πρέπει να συνδέεται μόνο με ηλεκτρική παροχή της ίδιας τάσης με αυτή που αναγράφεται στην πινακίδα ονομαστικών τιμών και μπορεί να λειτουργήσει μόνο με εναλλασσόμενο μονοφασικό ρεύμα. Υπάρχει διπλή μόνωση και κατά συνέπεια, μπορεί να γίνει σύνδεση σε ακροδέκτες χωρίς σύρμα γείωσης.

Θόρυβος

Το τυπικό Α επίπεδο καταμετρημένου θορύβου καθορίζεται σύμφωνα με το EN60745:

Μοντέλο HR1840

Στάθμη ηχητικής πίεσης (L_{pA}): 87 dB (A)

Στάθμη ηχητικής ισχύος (L_{WA}): 98 dB (A)

Αβεβαιότητα (K): 3 dB (A)

Μοντέλο HR1841F

Στάθμη ηχητικής πίεσης (L_{pA}): 87 dB (A)

Στάθμη ηχητικής ισχύος (L_{WA}): 98 dB (A)

Αβεβαιότητα (K): 3 dB (A)

▲ ΠΡΟΕΙΔΟΠΟΙΗΣΗ: Να φοράτε ωτοασπίδες.

Κραδασμός

Η ολική τιμή δόνησης (άθροισμα τρι-αξονικού διανύσματος) καθορίζεται σύμφωνα με το EN60745:

Μοντέλο HR1840

Είδος εργασίας: κρουστικό τρυπάνισμα σε τσιμέντο

Εκπομπή δόνησης ($a_{h,HD}$): 10,0 m/s²

Αβεβαιότητα (K): 1,5 m/s²

Είδος εργασίας: τρυπάνισμα σε μέταλλο

Εκπομπή δόνησης ($a_{h,HD}$): 3,0 m/s²

Αβεβαιότητα (K): 1,5 m/s²

Μοντέλο HR1841F

Είδος εργασίας: κρουστικό τρυπάνισμα σε τσιμέντο

Εκπομπή δόνησης ($a_{h,HD}$): 7,5 m/s²

Αβεβαιότητα (K): 1,5 m/s²

Είδος εργασίας: τρυπάνισμα σε μέταλλο

Εκπομπή δόνησης ($a_{h,HD}$): 3,0 m/s²

Αβεβαιότητα (K): 1,5 m/s²

ΠΑΡΑΤΗΡΗΣΗ: Η δηλωμένη τιμή εκπομπής κραδασμών έχει μετρηθεί σύμφωνα με την πρότυπη μέθοδο δοκιμής και μπορεί να χρησιμοποιηθεί για τη σύγκριση ενός εργαλείου με άλλο.

ΠΑΡΑΤΗΡΗΣΗ: Η δηλωμένη τιμή εκπομπής κραδασμών μπορεί να χρησιμοποιηθεί και στην προκαταρκτική αξιολόγηση έκθεσης.

▲ ΠΡΟΕΙΔΟΠΟΙΗΣΗ: Η εκπομπή κραδασμών κατά τη χρήση του ηλεκτρικού εργαλείου σε πραγματικές συνθήκες μπορεί να διαφέρει από τη δηλωμένη τιμή εκπομπής ανάλογα με τον τρόπο χρήσης του εργαλείου.

▲ ΠΡΟΕΙΔΟΠΟΙΗΣΗ: Φροντίστε να λάβετε τα κατάλληλα μέτρα προστασίας του χειριστή βάσει ενός υπολογισμού της έκθεσης σε πραγματικές συνθήκες χρήσης (λαμβάνοντας υπόψη όλες τις συνιστώσες του κύκλου λειτουργίας όπως τους χρόνους που το εργαλείο είναι εκτός λειτουργίας και όταν βρίσκεται σε αδρανή λειτουργία πέραν του χρόνου ενεργοποίησης).

Δήλωση συμμόρφωσης ΕΚ

Μόνο για χώρες της Ευρώπης

Η δήλωση συμμόρφωσης ΕΚ περιλαμβάνεται ως Παράρτημα Α στο παρόν εγχειρίδιο οδηγιών.

ΠΡΟΕΙΔΟΠΟΙΗΣΕΙΣ ΑΣΦΑΛΕΙΑΣ

Γενικές προειδοποιήσεις ασφαλείας για το ηλεκτρικό εργαλείο

▲ ΠΡΟΕΙΔΟΠΟΙΗΣΗ: Διαβάστε όλες τις προειδοποιήσεις ασφαλείας, οδηγίες, εικονογραφησίες και προδιαγραφές που παρέχονται με αυτό το ηλεκτρικό εργαλείο. Η μη τήρηση όλων των οδηγιών που αναγράφονται κατωτέρω μπορεί να καταλήξει σε ηλεκτροπληξία, πυρκαγιά ή/και σοβαρό τραυματισμό.

Φυλάξτε όλες τις προειδοποιήσεις και τις οδηγίες για μελλοντική παραπομπή.

Στις προειδοποιήσεις, ο όρος «ηλεκτρικό εργαλείο» αναφέρεται σε ηλεκτρικό εργαλείο που τροφοδοτείται από την κύρια παροχή ηλεκτρικού ρεύματος (με ηλεκτρικό καλώδιο) ή σε ηλεκτρικό εργαλείο που τροφοδοτείται από μπαταρία (χωρίς ηλεκτρικό καλώδιο).

ΠΡΟΕΙΔΟΠΟΙΗΣΕΙΣ ΑΣΦΑΛΕΙΑΣ ΣΦΥΡΟΤΡΥΠΑΝΟΥ

1. **Φοράτε ωτοασπίδες.** Η έκθεση σε θόρυβο μπορεί να προκαλέσει απώλεια ακοής.
2. **Να χρησιμοποιείτε τις βοηθητικές λαβές, εάν παρέχονται με το εργαλείο.** Η απώλεια του ελέγχου μπορεί να προκαλέσει προσωπικό τραυματισμό.
3. **Να κρατάτε το ηλεκτρικό εργαλείο από τις μονωμένες επιφάνειες συγκράτησης κατά την εκτέλεση εργασιών όπου το εξάρτημα κοπής μπορεί να έρθει σε επαφή με κρυφές καλωδιώσεις ή με το δικό του καλώδιο τροφοδοσίας.** Σε περίπτωση επαφής του εξαρτήματος κοπής με ηλεκτροφόρο καλώδιο, μπορεί να εκτεθειμένα μεταλλικά εξαρτήματα του ηλεκτρικού εργαλείου να καταστούν τα ίδια ηλεκτροφόρα και να προκαλέσουν ηλεκτροπληξία στο χειριστή.
4. **Φοράτε σκληρό καπέλο (κράνος ασφαλείας), γυαλιά ασφαλείας και/ή προσωπίδα.** Τα κοινά γυαλιά οράσεως ή ηλίου ΔΕΝ είναι γυαλιά ασφαλείας. Επίσης, συνιστάται ιδιαίτερα να φοράτε μάσκα προστασίας από τη σκόνη και γάντια με χοντρή επένδυση.
5. **Πριν από τη λειτουργία, βεβαιωθείτε ότι η μύτη έχει ασφαλίσει.**

6. **Σε κανονικές συνθήκες λειτουργίας, το εργαλείο είναι σχεδιασμένο να παράγει κραδασμούς.** Οι βιβες μπορεί να χαλαρώσουν εύκολα, προκαλώντας βλάβη ή ατύχημα. **Ελέγξτε προσεκτικά το σφίξιμο των βιδών πριν από τη λειτουργία.**
7. **Όταν κάνει κρύο ή αν δεν έχετε χρησιμοποιήσει το εργαλείο για μεγάλο χρονικό διάστημα, αφήστε το να ζεσταθεί για λίγο επιτρέποντάς του να λειτουργήσει χωρίς φορτίο.** Με αυτόν τον τρόπο βελτιώνεται η λίπανση. **Αν δεν ζεσταθεί σωστά, η κρουστική λειτουργία είναι δύσκολη.**
8. **Να βεβαιώνετε πάντοτε ότι στέκεστε σταθερά.** Όταν χρησιμοποιείτε το εργαλείο σε υψηλές τοποθεσίες, να βεβαιώνετε ότι δεν βρίσκεται κανένας από κάτω.
9. **Κρατήστε το εργαλείο σταθερά με τα δύο χέρια.**
10. **Διατηρείτε τα χέρια σας μακριά από κινούμενα μέρη.**
11. **Μην αφήνετε το εργαλείο σε λειτουργία. Το εργαλείο πρέπει να βρίσκεται σε λειτουργία μόνο όταν το κρατάτε.**
12. **Μην στρέφετε το εργαλείο στους παρευρισκόμενους στο χώρο όταν το χρησιμοποιείτε.** Η μύτη μπορεί να εκτοξευτεί και να προκαλέσει σοβαρό τραυματισμό.
13. **Μην αγγίζετε τη μύτη, τμήματα κοντά στη μύτη ή το τεμάχιο εργασίας αμέσως μετά τη λειτουργία.** Μπορεί να είναι εξαιρετικά ζεστά και να προκληθεί έγκαυμα στο δέρμα σας.
14. **Μερικά υλικά περιέχουν χημικά που μπορεί να είναι τοξικά.** Προσέχετε ώστε να αποφεύγετε την εισπνοή σκόνης και την επαφή με το δέρμα. Ακολουθείτε τα δεδομένα ασφαλείας υλικού που παρέχονται από τον προμηθευτή.
15. **Μην αγγίζετε το φως του ηλεκτρικού καλωδίου με βρεγμένα χέρια.**

ΦΥΛΑΞΤΕ ΤΙΣ ΟΔΗΓΙΕΣ ΑΥΤΕΣ.

▲ ΠΡΟΕΙΔΟΠΟΙΗΣΗ: ΜΗΝ επιτρέψετε το βαθμό άνεσης ή εξοικείωσης με το προϊόν (λόγω επανειλημμένης χρήσης) να αντικαταστήσει την αυστηρή τήρηση των κανόνων ασφαλείας του παρόντος εργαλείου. Η **ΛΑΝΘΑΣΜΕΝΗ ΧΡΗΣΗ** ή η αμέλεια να ακολουθήσετε τους κανόνες ασφαλείας που διατυπώνονται στο παρόν εγχειρίδιο οδηγιών μπορεί να προκαλέσει σοβαρό προσωπικό τραυματισμό.

ΠΕΡΙΓΡΑΦΗ ΛΕΙΤΟΥΡΓΙΑΣ

▲ ΠΡΟΣΟΧΗ: Να βεβαιώνεστε πάντα ότι το εργαλείο είναι σβηστό και αποσυνδεδεμένο από την ηλεκτρική παροχή πριν ρυθμίσετε ή ελέγχετε κάποια λειτουργία του.

Δράση διακόπτη

▲ ΠΡΟΣΟΧΗ: Πριν από τη σύνδεση του εργαλείου στην ηλεκτρική παροχή, να ελέγχετε πάντα ότι η σκανδάλη διακόπτης ενεργοποιείται σωστά και επιστρέφει στη θέση «OFF» όταν την αφήνετε.

▲ ΠΡΟΣΟΧΗ: Ο διακόπτης μπορεί να ασφαλιστεί στη θέση «ENERG» προς διευκόλυνση του χειριστή στη διάρκεια παρατεταμένης χρήσης. Να είστε προσεκτικοί όταν ασφαλίσετε το εργαλείο στη θέση «ENERG» και να κρατάτε το εργαλείο σταθερά.

► **Εικ.1:** 1. Σκανδάλη διακόπτης 2. Κουμπί απασφάλισης

Για να ξεκινήσετε το εργαλείο, απλώς τραβήξτε τη σκανδάλη διακόπτη. Η ταχύτητα του εργαλείου αυξάνει αν αυξήσετε την πίεση στη σκανδάλη διακόπτη. Ελευθερώστε τη σκανδάλη διακόπτη για να σταματήσει.

Για συνεχόμενη λειτουργία, τραβήξτε τη σκανδάλη διακόπτη, πατήστε το κουμπί ασφάλισης και μετά αφήστε τη σκανδάλη διακόπτη. Για να σταματήσετε το εργαλείο από την κλειδωμένη θέση, τραβήξτε πλήρως τη σκανδάλη διακόπτη και κατόπιν αφήστε την.

Αναμμα της μπροστινής λάμπας

Για HR1841F

► **Εικ.2:** 1. Σκανδάλη διακόπτης 2. Λάμπα

▲ ΠΡΟΣΟΧΗ: Μην κοιτάζετε κατευθείαν μέσα στο φως ή στην πηγή φωτός.

Για να ανάψετε τη λάμπα, τραβήξτε τη σκανδάλη διακόπτη. Αφήστε τη σκανδάλη διακόπτη για να τη σβήσετε.

ΕΙΔΟΠΟΙΗΣΗ: Μη χρησιμοποιείτε νέφτι ή βενζίνη για να καθαρίσετε τη λάμπα. Τέτοιοι διαλύτες μπορεί να καταστρέψουν τη λάμπα.

ΠΑΡΑΤΗΡΗΣΗ: Χρησιμοποιήστε ένα στεγνό πανί για να σκουπίσετε τη σκόνη από το φακό της λάμπας. Προσέχετε να μη γρατζουνίσετε το φακό της λάμπας, επειδή μπορεί να μειωθεί η ένταση του φωτισμού.

Δράση διακόπτη αντιστροφής

▲ ΠΡΟΣΟΧΗ: Να ελέγχετε πάντα τη διεύθυνση περιστροφής πριν από τη λειτουργία.

ΕΙΔΟΠΟΙΗΣΗ: Να χρησιμοποιείτε τον διακόπτη αντιστροφής μόνο αφού το εργαλείο σταματήσει εντελώς. Η αλλαγή της διεύθυνσης περιστροφής πριν σταματήσει το εργαλείο μπορεί να προκαλέσει ζημιά στο εργαλείο.

ΕΙΔΟΠΟΙΗΣΗ: Όταν αλλάζετε την κατεύθυνση περιστροφής, βεβαιωθείτε να ρυθμίσετε το διακόπτη αναστροφής πλήρως στη θέση ◁ (πλευρά Α) ή στη θέση ▷ (πλευρά Β). Διαφορετικά, όταν τραβήξετε τη σκανδάλη διακόπτη, το μοτέρ μπορεί να μην περιστραφεί ή το εργαλείο μπορεί να μη λειτουργεί σωστά.

► **Εικ.3:** 1. Μοχλός διακόπτης αντιστροφής

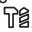
Το εργαλείο αυτό διαθέτει ένα διακόπτη αναστροφής, που αλλάζει τη φορά περιστροφής. Μετακινήστε το μοχλό του διακόπτη αναστροφής στη θέση ◁ (πλευρά Α) για δεξιόστροφη περιστροφή ή στη θέση ▷ (πλευρά Β) για αριστερόστροφη περιστροφή.

Επιλογή τρόπου λειτουργίας δράσης

ΕΙΔΟΠΟΙΗΣΗ: Μη γυρίζετε το κουμπί αλλαγής τρόπου λειτουργίας ενώ λειτουργεί το εργαλείο. Θα υποστεί ζημιά το εργαλείο.


ΕΙΔΟΠΟΙΗΣΗ: Για να αποφύγετε τη γρήγορη φθορά του μηχανισμού αλλαγής τρόπου λειτουργίας, φροντίστε ώστε το κουμπί αλλαγής του τρόπου λειτουργίας να βρίσκεται πάντα σε μία από τις θέσεις του τρόπου λειτουργίας και όχι κάπου ενδιάμεσα.

Περιστροφή με κρούση

Για τη διάτρηση σε τσιμέντο, τοιχοποιία κτλ., γυρίστε το κουμπί αλλαγής του τρόπου λειτουργίας στο σύμβολο . Χρησιμοποιήστε μύτη τρυπανιού με άκρο καρβιδίου.

► **Εικ.4:** 1. Κουμπί αλλαγής τρόπου λειτουργίας

Μόνο περιστροφή

Για τη διάτρηση σε ξύλο, μέταλλο ή πλαστικά υλικά, γυρίστε το κουμπί αλλαγής τρόπου λειτουργίας στο σύμβολο . Χρησιμοποιήστε μύτη με ελικοειδές τρυπάνι ή τρυπάνι για ξύλο.

► **Εικ.5:** 1. Κουμπί αλλαγής τρόπου λειτουργίας

Περιοριστής ροπής

ΕΙΔΟΠΟΙΗΣΗ: Μόλις ενεργοποιηθεί ο περιοριστής ροπής, απενεργοποιήστε αμέσως το εργαλείο. Έτσι αποτρέπεται η πρόωγη φθορά του εργαλείου.

ΕΙΔΟΠΟΙΗΣΗ: Κάποιες μύτες, όπως τα ποτηροτρυπάνια, που έχουν τάση να μαγκώνουν ή να σκαλώνουν εύκολα μέσα την οπή, δεν είναι κατάλληλες για αυτό το εργαλείο. Αυτό οφείλεται στο γεγονός ότι προκαλούν την πολύ συχνή ενεργοποίηση του περιοριστή ροπής.

Ο περιοριστής ροπής ενεργοποιείται όταν επιτευχθεί συγκεκριμένο επίπεδο ροπής. Το μοτέρ αποσυμπλέκεται από τον άξονα εξόδου. Όταν συμβεί αυτό, η μύτη σταματά να περιστρέφεται.

ΣΥΝΑΡΜΟΛΟΓΗΣΗ

▲ ΠΡΟΣΟΧΗ: Να βεβαιώνεστε πάντα ότι το εργαλείο είναι σβηστό και αποσυνδεδεμένο από την ηλεκτρική παροχή πριν εκτελέσετε οποιαδήποτε εργασία σε αυτό.

Πλευρική λαβή (βοηθητική χειρολαβή)

▲ ΠΡΟΣΟΧΗ: Χρησιμοποιείτε πάντοτε την πλευρική λαβή, έτσι ώστε να διασφαλίζεται η ασφαλής λειτουργία.

▲ ΠΡΟΣΟΧΗ: Μετά την τοποθέτηση ή τη ρύθμιση της πλευρικής λαβής, βεβαιωθείτε ότι η πλευρική λαβή έχει ασφαλίσει σταθερά.

Τοποθετήστε την πλευρική λαβή με τρόπο ώστε οι αυλακώσεις στη λαβή να εφαρμόζουν στις προεξοχές στον κύλινδρο του εργαλείου. Περιστρέψτε τη λαβή δεξιόστροφα για να την ασφαλίσετε. Η λαβή μπορεί να σταθεροποιηθεί σε μια επιθυμητή γωνία.

► **Εικ.6:** 1. Πλευρική λαβή

Γράσο

Επαλείψτε από πριν το άκρο στελέχους της μύτης τρυπανιού με μια μικρή ποσότητα γράσου (περίπου 0,5 - 1 g). Η λίπανση του σφιγκτήρα εξασφαλίζει ομαλή λειτουργία και μεγαλύτερη διάρκεια ζωής.

Τοποθέτηση ή αφαίρεση μύτης τρυπανιού

Καθαρίστε το άκρο στελέχους της μύτης τρυπανιού και βάλτε γράσο πριν τοποθετήσετε τη μύτη τρυπανιού.

► **Εικ.7:** 1. Άκρο στελέχους 2. Γράσο

Τοποθετήστε τη μύτη τρυπανιού στο εργαλείο. Περιστρέψτε τη μύτη τρυπανιού και ωθήστε την προς τα μέσα μέχρι να ασφαλίσει.

Μετά την τοποθέτηση της μύτης τρυπανιού, να βεβαιώνετε πάντα ότι η μύτη τρυπανιού έχει ασφαλίσει τραβώντας την προς τα έξω.

► **Εικ.8:** 1. Μύτη τρυπανιού

Για να αφαιρέσετε τη μύτη τρυπανιού, τραβήξτε το κάλυμμα σφιγκτήρα εντελώς προς τα κάτω και μετά τραβήξτε τη μύτη τρυπανιού προς τα έξω.

► **Εικ.9:** 1. Μύτη τρυπανιού 2. Κάλυμμα σφιγκτήρα

Ρυθμιστής βάθους

Ο ρυθμιστής βάθους διευκολύνει τη διάνοιξη οπών ομοιόμορφου βάθους. Χαλαρώστε την πλευρική λαβή και τοποθετήστε τον ρυθμιστή βάθους στην οπή στην πλευρική λαβή. Ρυθμίστε τον ρυθμιστή βάθους στο επιθυμητό βάθος και σφίξτε καλά την πλευρική λαβή.

► **Εικ.10:** 1. Οπή 2. Ρυθμιστής βάθους

ΠΑΡΑΤΗΡΗΣΗ: Βεβαιωθείτε ότι ο ρυθμιστής βάθους δεν αγγίζει το κυρίως σώμα του εργαλείου όταν το συνδέετε.

Κάλυμμα σκόνης (προαιρετικό αξεσουάρ)

Χρησιμοποιήστε το κάλυμμα σκόνης για να αποτρέψετε την πτώση της σκόνης πάνω στο εργαλείο και στον εαυτό σας όταν εκτελείτε εργασίες διάτρησης σε κάποιο σημείο πάνω από το κεφάλι σας. Προσαρμόστε το κάλυμμα σκόνης στη μύτη, όπως απεικονίζεται στην εικόνα. Ακολουθεί πίνακας με τα μεγέθη των μτυνών στις οποίες μπορείτε να προσαρμόσετε το κάλυμμα σκόνης.

Μοντέλο	Διάμετρος μύτης
Κάλυμμα σκόνης 5	6 mm - 14,5 mm
Κάλυμμα σκόνης 9	12 mm - 16 mm

► **Εικ.11:** 1. Κάλυμμα σκόνης

Σετ καλύμματος σκόνης (προαιρετικό αξεσουάρ)

ΕΙΔΟΠΟΙΗΣΗ: Αν αγοράσετε το σετ καλύμματος σκόνης ως προαιρετικό αξεσουάρ, η τυπική πλευρική λαβή δεν μπορεί να χρησιμοποιηθεί με το σετ καλύμματος σκόνης που τοποθετείται στο εργαλείο. Όταν το σετ καλύμματος σκόνης είναι τοποθετημένο στο εργαλείο, αφαιρέστε τη λαβή από την τυπική πλευρική λαβή και μετά συνδέστε τη στο προαιρετικό σετ βάσης λαβής.

► **Εικ.12:** 1. Μπουλόνι 2. Λαβή 3. Προαιρετικό σετ βάσης λαβής

ΕΙΔΟΠΟΙΗΣΗ: Μη χρησιμοποιείτε το σετ καλύμματος σκόνης για το τρυπάνισμα σε μέταλλο ή παρόμοιο υλικό. Μπορεί να προκαλέσει ζημιά στο σετ καλύμματος σκόνης λόγω της θερμότητας που παράγεται από τη λεπτή μεταλλική σκόνη ή παρόμοιο. Μην τοποθετείτε και μην αφαιρείτε το σετ καλύμματος σκόνης με τη μύτη τρυπανιού τοποθετημένη στο εργαλείο. Μπορεί να προκαλέσει ζημιά στο σετ καλύμματος σκόνης και να προκαλέσει διαρροή σκόνης.

Πριν τοποθετήσετε το σετ καλύμματος σκόνης, αφαιρέστε τη μύτη από το εργαλείο, αν είναι τοποθετημένη. Τοποθετήστε τον αποστάτη με τρόπο ώστε οι αυλακώσεις στον αποστάτη να εφαρμόζουν στις προεξοχές στον κύλινδρο του εργαλείου ενώ τον διαπлатύνετε. Προσέχετε ώστε να μη βγει το ελατήριο από τη σχισμή του αποστάτη.

► **Εικ.13:** 1. Αποστάτης 2. Ελατήριο

► **Εικ.14**

Τοποθετήστε την πλευρική λαβή (το προαιρετικό σετ βάσης λαβής και η λαβή έχουν αφαιρεθεί από την τυπική πλευρική λαβή) με τρόπο ώστε η αulάκωση στη λαβή να εφαρμόζει στην προεξοχή στον αποστάτη. Περιστρέψτε τη λαβή δεξιόστροφα για να την ασφαλίσετε.

► **Εικ.15:** 1. Πλευρική λαβή

Τοποθετήστε το σετ καλύμματος σκόνης με τρόπο ώστε τα κλιπ του καλύμματος σκόνης να εφαρμόζουν στις σχισμές στον αποστάτη.

► **Εικ.16:** 1. Κάλυμμα σκόνης 2. Κλιπ

ΠΑΡΑΤΗΡΗΣΗ: Αν συνδέσετε ηλεκτρική σκούπα στο σετ καλύμματος σκόνης, αφαιρέστε το καπάκι σκόνης πριν την συνδέσετε.

► **Εικ.17:** 1. Καπάκι σκόνης

Για να αφαιρέσετε τη μύτη τρυπανιού, τραβήξτε το κάλυμμα σφιγκτήρα εντελώς προς τα κάτω και μετά τραβήξτε τη μύτη τρυπανιού προς τα έξω.

► **Εικ.18:** 1. Μύτη 2. Κάλυμμα σφιγκτήρα

Για να αφαιρέσετε το σετ καλύμματος σκόνης, κρατήστε τη βάση του καλύμματος σκόνης και τραβήξτε το προς τα έξω.

► **Εικ.19**

ΠΑΡΑΤΗΡΗΣΗ: Αν το καπάκι βγει από το κάλυμμα σκόνης, συνδέστε το με την εκτυπωμένη πλευρά στραμμένη ώστε η αυλάκωση στο καπάκι να εφαρμοζό-
ζει στην εσωτερική περιφέρεια του εξαρτήματος.

► **Εικ.20**

ΛΕΙΤΟΥΡΓΙΑ

▲ ΠΡΟΣΟΧΗ: Να χρησιμοποιείτε πάντα την πλάγια λαβή (βοηθητική λαβή) και να κρατάτε σταθερά το εργαλείο από την πλάγια λαβή και τη λαβή διακόπτη κατά την εκτέλεση των εργασιών.

▲ ΠΡΟΣΟΧΗ: Πριν από τη λειτουργία, βεβαιώστε πάντοτε ότι το τεμάχιο εργασίας έχει ασφαλιστεί.

► **Εικ.21**

Λειτουργία κρουστικού τρυπανιού

▲ ΠΡΟΣΟΧΗ: Το εργαλείο/μύτη τρυπανιού υφίσταται ισχυρή και ξαφνική περιστροφική δύναμη τη στιγμή που διέρχεται από την οπή, όταν η οπή παρουσιάζει έμφραση με θραύσματα και σωματίδια ή όταν συναντήσει βέργες ενίσχυσης πακτωμένες στο σκυρόδεμα. **Να χρησιμοποιείτε πάντα την πλάγια λαβή (βοηθητική λαβή) και να κρατάτε σταθερά το εργαλείο από την πλάγια λαβή και τη λαβή διακόπτη κατά την εκτέλεση των εργασιών.** Η μη συμμόρφωση μπορεί να έχει ως αποτέλεσμα την απώλεια ελέγχου του εργαλείου και την ενδεχόμενη πρόκληση σοβαρού τραυματισμού.

Ρυθμίστε το κουμπί αλλαγής τρόπου λειτουργίας στο σύμβολο .

Τοποθετήστε τη μύτη στο επιθυμητό σημείο για διάνοιξη της οπής και μετά τραβήξτε τη σκανδάλη διακόπτη. Μην ασκείτε δύναμη στο εργαλείο. Η μικρή πίεση έχει ως αποτέλεσμα βέλτιστα αποτελέσματα. Κρατήστε το εργαλείο στη θέση του και εμποδίστε το να γλιστρήσει από την οπή.

Μην ασκείτε μεγαλύτερη πίεση, όταν η οπή βουλώσει με θραύσματα ή σωματίδια. Αντ' αυτού, θέστε το εργαλείο στη λειτουργία ρελαντί και μετά τραβήξτε ελαφρώς τη μύτη έξω από την οπή. Αν επαναλάβετε το ίδιο αρκετές φορές, η οπή καθαρίζεται από τα θραύσματα και μπορείτε να συνεχίσετε την εργασία διάτρησης.

ΠΑΡΑΤΗΡΗΣΗ: Όταν χρησιμοποιείτε το εργαλείο χωρίς φορτίο, μπορεί να παρουσιαστεί σφάλμα ομοκεντρότητας στην περιστροφή της μύτης. Το εργαλείο αυτοκεντράρεται αυτόματα κατά τη διάρκεια της λειτουργίας. Αυτό δεν επηρεάζει την ακρίβεια της διάτρησης.

Διάτρηση σε ξύλο ή μέταλλο

▲ ΠΡΟΣΟΧΗ: Κρατήστε σταθερά το εργαλείο και προσέχετε ιδιαίτερα τη στιγμή που η μύτη τρυπανιού διέρχεται από το άλλο άκρο της οπής. Ασκείται τεράστια δύναμη στο εργαλείο/μύτη τρυπανιού τη στιγμή που διαπερνάται η οπή.


▲ ΠΡΟΣΟΧΗ: Μπορείτε να αφαιρέσετε μια μπλοκαρισμένη μύτη τρυπανιού με απλή ρύθμιση του διακόπτη αντιστροφής στη θέση αντιστροφής περιστροφής, ώστε η μύτη να οπισθοχωρήσει. Ωστόσο, το εργαλείο μπορεί να οπισθοχωρήσει έξω από την οπή απότομα, αν δεν το κρατάτε σταθερά.

▲ ΠΡΟΣΟΧΗ: Να ασφαρίζετε πάντα τα τεμάχια εργασίας σε μέγερνη ή παρόμοια διάταξη συγκράτησης.

ΕΙΔΟΠΟΙΗΣΗ: Μη χρησιμοποιήσετε ποτέ την «περιστροφή με κρούση» όταν στο εργαλείο είναι τοποθετημένος ο σφιγκτήρας του τρυπανιού. Μπορεί να υποστεί ζημιά ο σφιγκτήρας του τρυπανιού.

Επίσης, ο σφιγκτήρας του τρυπανιού θα βγει κατά την αναστροφή της κίνησης του εργαλείου.

ΕΙΔΟΠΟΙΗΣΗ: Η υπερβολική πίεση στο εργαλείο δεν επιταχύνει τη διάτρηση. Στην πραγματικότητα, αυτή η υπερβολική πίεση προκαλεί ζημιά στο άκρο της μύτης τρυπανιού, μείωση της απόδοσης όπως και της διάρκειας ζωής του εργαλείου.

Ρυθμίστε το κουμπί αλλαγής του τρόπου λειτουργίας στο σύμβολο .

Συνδέστε τον προσαρμογέα σφιγκτήρα με σφιγκτήρα τρυπανιού χωρίς κλειδί στο οποίο μπορεί να τοποθετηθεί βίδα μεγέθους 1/2"-20 και μετά τοποθετήστε τους στο εργαλείο. Κατά την τοποθέτησή του, ανατρέξτε στην παράγραφο «Τοποθέτηση ή αφαίρεση μύτης τρυπανιού».

- **Εικ.22:** 1. Σφιγκτήρας τρυπανιού χωρίς κλειδί
2. Προσαρμογέας σφιγκτήρα

Φυσερό

Προαιρετικό εξάρτημα

Μετά από τη διάτρηση της οπής, χρησιμοποιήστε το φυσερό για να καθαρίσετε τη σκόνη από το εσωτερικό της οπής.

► **Εικ.23**

Χρήση του σετ καλύμματος σκόνης

Προαιρετικό εξάρτημα

Τοποθετήστε το σετ καλύμματος σκόνης επάνω στην οροφή όταν χρησιμοποιείτε το εργαλείο.

► **Εικ.24**

ΕΙΔΟΠΟΙΗΣΗ: Μη χρησιμοποιείτε το σετ καλύμματος σκόνης κατά το τρυπάνισμα σε μέταλλο ή παρόμοιο. Μπορεί να προκληθεί ζημιά στο σετ καλύμματος σκόνης λόγω της θερμότητας που παράγεται από τη μικρή σκόνη μετάλλου ή παρόμοιο.

ΕΙΔΟΠΟΙΗΣΗ: Μην τοποθετείτε και μην αφαιρείτε το σετ καλύμματος σκόνης με τη μύτη τρυπανιού τοποθετημένη στο εργαλείο. Μπορεί να προκληθεί ζημιά στο σετ καλύμματος σκόνης και να προκληθεί διαρροή σκόνης.

ΣΥΝΤΗΡΗΣΗ

⚠ ΠΡΟΣΟΧΗ: Πριν την εκτέλεση εργασιών επιθεώρησης ή συντήρησης, πάντοτε να βεβαιώνετε ότι η συσκευή απενεργοποιήθηκε και η κασέτα μπαταριών έχει αφαιρεθεί.

ΕΙΔΟΠΟΙΗΣΗ: Μην χρησιμοποιείτε ποτέ βενζίνη, πετρελαϊκό αιθέρα, διαλυτικό, αλκοόλη ή παρόμοιες ουσίες. Μπορεί να προκληθεί αποχρωματισμός, παραμόρφωση ή ρωγμές.

Για τη διατήρηση της ΑΣΦΑΛΕΙΑΣ και ΑΞΙΟΠΙΣΤΙΑΣ του προϊόντος, οι επισκευές και οποιαδήποτε άλλη εργασία συντήρησης ή ρύθμισης πρέπει να εκτελούνται από εξουσιοδοτημένα ή εργοστασιακά κέντρα εξυπηρέτησης της Makita, χρησιμοποιώντας πάντοτε ανταλλακτικά της Makita.

ΠΡΟΑΙΡΕΤΙΚΑ ΕΞΑΡΤΗΜΑΤΑ

⚠ ΠΡΟΣΟΧΗ: Αυτά τα εξαρτήματα ή προσαρτήματα συνιστώνται για χρήση με το εργαλείο Makita που περιγράφηκε στις οδηγίες αυτές. Η χρήση οποιωνδήποτε άλλων εξαρτημάτων ή προσαρτημάτων μπορεί να προκαλέσει κίνδυνο τραυματισμού σε άτομα. Να χρησιμοποιείτε τα εξαρτήματα ή προσαρτήματα μόνο για την χρήση που προορίζονται.

Εάν χρειάζεστε οποιαδήποτε βοήθεια για περισσότερες πληροφορίες σε σχέση με αυτά τα εξαρτήματα, αποτανθείτε στο τοπικό σας κέντρο εξυπηρέτησης Makita.

- Μύτες τρυπανιού με άκρο καρβιδίου (μύτες με άκρο καρβιδίου SDS-plus)
- Μύτη πυρήνα
- Μύτη αδαμάντινου πυρήνα
- Προσαρμογέας σφιγκτήρα
- Σφιγκτήρας τρυπανιού χωρίς κλειδί
- Γράσο μυτών
- Ρυθμιστής βάθους
- Φουσερό
- Κάλυμμα σκόνης
- Σετ καλύμματος σκόνης
- Σετ βάσης λαβής
- Προστατευτικά γυαλιά
- Πλαστική θήκη μεταφοράς

ΠΑΡΑΤΗΡΗΣΗ: Μερικά στοιχεία στη λίστα μπορεί να συμπεριλαμβάνονται στη συσκευασία εργαλείου ως στάνταρ εξαρτήματα. Μπορεί να διαφέρουν ανάλογα με τη χώρα.

TEKNİK ÖZELLİKLER

Model:	HR1840	HR1841F
Kapasiteler	Beton	18 mm
	Karot matkap ucu	35 mm
	Elmas karot matkap ucu (kuru tip)	65 mm
	Çelik	13 mm
	Tahta	24 mm
Yüksüz hız	0 - 2.100 min ⁻¹	
Dakikadaki darbe sayısı	0 - 4.800 min ⁻¹	
Toplam uzunluk	285 mm	
Net ağırlık	2,0 - 2,4 kg	2,0 - 2,5 kg
Emniyet sınıfı	II/III	

- Sürekli yapılan araştırma ve geliştirmelerden dolayı, burada belirtilen özellikler önceden bildirilmeksizin değiştirilebilir.
- Özellikler ülkeden ülkeye değişebilir.
- Ağırlık, ek parçaya(parçalara) bağlı olarak değişebilir. En hafif ve en ağır kombinasyon, EPTA Prosedürü 01/2014'e göre, tabloda gösterilmiştir.

Kullanım amacı

Bu alet tuğla, beton ve taş malzemelerde darbeli delme işlemi için tasarlanmıştır.

Bu alet ahşap, metal, seramik ve plastik malzemelerde darbesiz delme işlemleri için de uygundur.

Güç kaynağı

Aletin, yalnızca isim levhasında belirtilenle aynı voltajlı güç kaynağına bağlanması gerekir ve yalnızca tek fazlı AC güç kaynağıyla çalıştırılabilir. Çifte yalıtımlıdır ve topraklamasız prizlerde de kullanılabilir.

Gürültü

Tipik A-ağırlıklı gürültü düzeyi (EN60745 standardına göre belirlenen)

Model HR1840

Ses basınç seviyesi (L_{PA}): 87 dB (A)

Ses gücü düzeyi (L_{WA}): 98 dB (A)

Belirsizlik (K): 3 dB (A)

Model HR1841F

Ses basınç seviyesi (L_{PA}): 87 dB (A)

Ses gücü düzeyi (L_{WA}): 98 dB (A)

Belirsizlik (K): 3 dB (A)

UYARI: Kulak koruyucuları takın.

Titreşim

Titreşim toplam değeri (üç eksenli vektör toplamı) (EN60745 standardına göre hesaplanan):

Model HR1840

Çalışma modu: betonda darbeli delme

Titreşim emisyonu (a_{h,HD}): 10,0 m/s²

Belirsizlik (K) : 1,5 m/s²

Çalışma modu: metalde delme
Titreşim emisyonu (a_{h,HD}): 3,0m/s²
Belirsizlik (K) : 1,5 m/s²

Model HR1841F

Çalışma modu: betonda darbeli delme

Titreşim emisyonu (a_{h,HD}): 7,5 m/s²

Belirsizlik (K) : 1,5 m/s²

Çalışma modu: metalde delme

Titreşim emisyonu (a_{h,HD}): 3,0m/s²

Belirsizlik (K) : 1,5 m/s²

NOT: Beyan edilen titreşim emisyon değeri standart test yöntemine uygun şekilde ölçülmüştür ve bir aleti bir başkasıyla karşılaştırmak için kullanılabilir.

NOT: Beyan edilen titreşim emisyon değeri bir ön maruz kalma değerlendirmesi olarak da kullanılabilir.

UYARI: Bu elektrikli aletin gerçek kullanımı sırasındaki titreşim emisyonu aletin kullanım biçimlerine bağlı olarak beyan edilen emisyon değerinden farklı olabilir.

UYARI: Gerçek kullanım koşullarındaki maruz kalmanın bir tahmini hesaplaması temelinde operatörü koruyacak güvenlik önlemlerini mutlaka belirleyin (çalışma döngüsü içerisinde aletin kapalı olduğu ve aktif durumda olmasının yanı sıra boşta çalıştığı zamanlar gibi, bütün zaman dilimleri göz önünde bulundurularak değerlendirilmelidir).

EC Uygunluk Beyanı

Sadece Avrupa ülkeleri için

EC uygunluk beyanı bu kullanım kılavuzuna Ek A olarak eklenmiştir.

GÜVENLİK UYARILARI

Genel elektrikli alet güvenliği uyarıları

⚠UYARI: Bu elektrikli aletle birlikte sunulan tüm güvenlik uyarılarını, talimatları, çizimleri ve teknik özellikleri okuyun. Aşağıda verilen talimatlara uyulmaması elektrik şoku, yangın ve/veya ciddi yaralanmalar ile sonuçlanabilir.

Tüm uyarıları ve talimatları ile-ride başvurmak için saklayın.

Uyarılardaki "elektrikli alet" terimi ile ya prizden çalışan (kordonlu) elektrikli aletiniz ya da kendi aküsü ile çalışan (kordsuz) elektrikli aletiniz kastedilmektedir.

KIRICI DELİCİ İLE İLGİLİ GÜVENLİK UYARILARI

1. Kulak koruyucuları takın. Gürültüye maruz kalmak işitme kaybına neden olabilir.
2. Aletle birlikte sağlanmışsa yardımcı tutamağı/tutamakları kullanın. Kontrol kaybı yaralanmaya neden olabilir.
3. Kesici aksesuarın görünmeyen kabloları ya da aletin kendi kordonuna temas etme olasılığı bulunan yerlerde çalışırken elektrikli aleti yalıtımlı kavrama yüzeylerinden tutun. Kesici aksesuarın "akımlı" bir telle temas etmesi elektrikli aletin yalıtımsız metal kısımlarını "akımlı" hale getirebilir ve kullanıcıyı elektrik şokuna maruz bırakabilir.
4. Sert bir başlık (emniyet kaskı), koruyucu gözlük ve/veya yüz siperi kullanın. Normal gözlükler veya güneş gözlükleri koruyucu gözlük DEĞİLDİR. Ayrıca bir toz maskesi ve kalın eldivenler giymeniz de önerilir.
5. Çalışmaya başlamadan önce ucun yerine sağlam bir şekilde takıldığını emin olun.
6. Normal kullanımda, alet titreşim üretecek şekilde tasarlanmıştır. Vidalar kolayca gevşeyebilir, arızaya ya da kazaya sebep olabilir. Kullanmadan önce vidaların sıkılığını kontrol edin.
7. Soğuk havalarda ya da alet uzun bir süre kullanılmamışsa, yüksük olarak bir müddet çalıştırıp aletin ısınmasını sağlayın. Bu işlem yağın çözülmesini sağlar. Uygun bir şekilde ısıtıldığında, kırma işleminde zorluk görülür.
8. Her zaman yere sağlam basın. Aleti yüksekte kullandığınızda, altında kimsenin olmadığını emin olun.
9. Aleti iki elle sıkıca tutun.
10. Ellerinizi hareketli parçalardan uzak tutun.
11. Aleti çalışır durumda bırakmayın. Aleti sadece elinizde iken çalıştırın.
12. Kullanım sırasında aleti etraftaki herhangi birine doğrultmayın. Uç yerinden fırlayıp ciddi yaralanmalara sebep olabilir.
13. Ucu, uca yakın parçaları veya iş parçasını işlemden hemen sonra ellemeyin; bunlar çok sıcak olup derinizi yakabilir.

14. Bazı malzemeler zehirli olabilen kimyasallar içerirler. Toz yutmayı ve cilt temasını önlemek için tedbir alın. Malzeme sağlayıcısının güvenlik bilgilerine uyun.
15. Elektrik fişine ıslak ellerle dokunmayın.

BU TALİMATLARI SAKLAYIN.

⚠UYARI: Ürünü kullanırken (defalarca kullanınca kazanılan) rahatlık ve tanıdıklık duygusunun ilgili ürünün güvenlik kurallarına sıkı sıkıya bağlı kalmanızı yerine geçmesine İZİN VERMEYİN. YANLIŞ KULLANIM veya bu kullanma kılavuzunda belirtilen emniyet kurallarına uymama ciddi yaralanmaya neden olabilir.

İŞLEVSEL NİTELİKLER

⚠DİKKAT: Alet üzerinde ayarlama ya da işleşi kontrolü yapmadan önce aletin kapalı ve fişinin çekili olduğundan daima emin olun.

Anahtar işlemi

⚠DİKKAT: Aleti fişe takmadan önce anahtar tetiğinin doğru çalıştığından ve bırakıldığında "OFF" (kapalı) konumuna döndüğünden emin olun.

⚠DİKKAT: Uzun süreli kullanım sırasında kullanıcının rahatı için anahtar "ON" (açık) konumunda kilitlenebilir. Anahtar "ON" (açık) konumunda kilitleyken dikkatli olun ve aleti sıkı kavrayın.

► Şek.1: 1. Anahtar tetik 2. Güvenlik kilidi düğmesi

Aleti çalıştırmak için, sadece anahtar tetiği çekin. Aletin çalışma hızı anahtar tetik üstüne daha fazla baskı yapılarak artırılır. Durdurmak için anahtar tetiği serbest bırakın.

Süreklili çalıştırma için, anahtar tetiği çekin, kilitleme düğmesini itin ve ardından anahtar tetiği serbest bırakın. Aleti kilitleti pozisyonundan çıkarmak için, anahtar tetiği tamamen çekip sonra serbest bırakın.

Ön lambanın yakılması

HR1841F için

► Şek.2: 1. Anahtar tetik 2. Lamba

⚠DİKKAT: Işığa bakmayın ya da ışık kaynağını doğrudan görmeyin.

Lambayı açmak için anahtar tetiği çekin. Kapatmak için anahtar tetiği bırakın.

ÖNEMLİ NOT: Lambayı temizlemek için tiner veya benzin kullanmayın. Bu tür çözücüler lambaya hasar verebilir.

NOT: Lamba lensini temizlemek için kuru bir bez kullanın. Aydınlatmayı azaltacağı için lamba lensinin çizilmemesine dikkat edin.

Ters dönüş mandalı işlemi

⚠DİKKAT: Kullanmadan önce dönüş yönünü daima kontrol edin.

ÖNEMLİ NOT: Ters döndürme anahtarını sadece alet tamamen durduktan sonra kullanın. Dönüş yönünün alet durmadan önce değiştirilmesi alete zarar verebilir.

ÖNEMLİ NOT: Dönüş yönünü değiştirirken ters dönüş anahtarını mutlaka ◀ (A tarafı) veya ▶ (B tarafı) konumuna tam olarak getirin. Aksi takdirde anahtar tetik çekildiğinde motor dönmeyebilir veya alet düzgün çalışmayabilir.

► **Şek.3:** 1. Ters dönüş mandalı anahtarı


Bu aletin dönme yönünü değiştirmek için ters dönüş anahtarları vardır. Saat yönüne dönüş için, ters dönüş mandalını ◀ pozisyonuna (A tarafı), saat yönünün tersine dönüş için de ▶ pozisyonuna (B tarafı) getirin.

Bir eylem modu seçme

ÖNEMLİ NOT: Alet çalışırken eylem modu değiştirme düğmesini döndürmeyin. Alet zarar görebilir.


ÖNEMLİ NOT: Mod değiştirme mekanizmasının hızlı aşınmasını önlemek için, eylem modu değiştirme düğmesinin eylem modu pozisyonlarından birine tam olarak döndürüldüğünden emin olun.

Kırmalı dönüş

Beton, taş vb. delerken, eylem modu değiştirme düğmesini  sembolüne doğru döndürün. Karbür matkap ucu kullanın.

► **Şek.4:** 1. Eylem modu değiştirme düğmesi

Sadece dönüş

Tahta, metal veya plastik malzemeleri delerken, eylem modu değiştirme düğmesini  sembolüne doğru döndürün. Spiral matkap ucu veya ahşap matkap ucu kullanın.

► **Şek.5:** 1. Eylem modu değiştirme düğmesi

Tork sınırlandırıcı

ÖNEMLİ NOT: Tork sınırlandırıcı etkinleştirildiğinde, aleti hemen kapatın. Bu işlem, aletin erkenden aşınmasını önler.

ÖNEMLİ NOT: Delik açma testeresi gibi, kolayca deliğe sıkışma veya takılma olasılığı bulunan matkap uçları bu aletle kullanılmak üzere uygun değildir. Bunun nedeni, tork sınırlandırıcının çok sık etkinleşmesine neden olmalarıdır.

Belli bir tork seviyesine ulaşıldığında tork sınırlandırıcı etkinleştirilir. Motor, çıkış şaftından ayrılır. Bunun sonucunda da matkap ucunun dönmesi durur.

MONTAJ

⚠DİKKAT: Alet üzerinde herhangi bir iş yapmadan önce aletin kapalı ve fişinin çekili olduğundan daima emin olun.

Yan kavrama kolu (yardımcı tutamak)

⚠DİKKAT: Çalışma güvenliği için daima yan kavrama kolunu kullanın.

⚠DİKKAT: Yan kavrama kolunu takıp ayarladıktan sonra yerine iyice sabitlendiğinden emin olun.

Yan kavrama kolu üzerindeki oluklar alet gövdesindeki çıkıntılar arasında denk gelecek şekilde takılır. Kavrama kolunu sabitlemek için saat yönünde döndürün. Kavrama kolu istenen açıda sabitlenebilir.

► **Şek.6:** 1. Yan kavrama kolu

Gres yağı

Matkap ucunun mil ucunu önceden küçük bir miktar gres ile yağlayın (yaklaşık 0,5 - 1 g). Mandrenin yağlanması yumuşak bir çalışma ve daha uzun servis ömrü sağlar.

Matkap ucunun takılması veya çıkarılması

Matkap ucunu takmadan önce matkap ucunun mil ucunu temizleyin ve gres ile yağlayın.

► **Şek.7:** 1. Mil ucu 2. Gres yağı

Matkap ucunu alete takın. Matkap ucunu çevirip yerine oturana kadar itin.

Matkap ucunu taktıktan sonra çekmeye çalışarak matkap ucunun yerine sağlam bir şekilde oturduğundan daima emin olun.

► **Şek.8:** 1. Matkap ucu

Matkap ucunu çıkarmak için, mandren kapağını tamamen aşağı çekin ve matkap ucunu çekip çıkarın.

► **Şek.9:** 1. Matkap ucu 2. Mandren kapağı

Derinlik mastarı

Derinlik mastarı eşit derinlikte delikler delmeye yarar. Yan kavrama kolunu gevşetin ve derinlik mastarını yan kavrama kolundaki deliğin içine yerleştirin. Derinlik mastarını istenilen derinliğe ayarlayın ve yan kavrama kolunu iyice sıkıştırın.

► **Şek.10:** 1. Delik 2. Derinlik mastarı

NOT: Derinlik mastarını takarken, derinlik mastarının aletin ana gövdesine temas etmediğinden emin olun.

Toz başlığı (isteğe bağlı aksesuar)

Tozun yere ve üzerinize dökülmesini önlemek için başınızdan daha yukarıdaki delme işlemlerini gerçekleştirirken toz başlığını kullanın. Toz başlığını şekilde gösterildiği gibi uca takın. Toz başlığının takılabileceği uç boyutları aşağıda verilmiştir.

Model	Uç çapı
Toz başlığı 5	6 mm - 14,5 mm
Toz başlığı 9	12 mm - 16 mm

► **Şek.11:** 1. Toz başlığı

Toz başlığı seti (isteğe bağlı aksesuar)

ÖNEMLİ NOT: İsteğe bağlı aksesuar olarak toz başlığı setini satın alırsanız standart yan kavrama kolu, toz başlığı seti alete takılıyken kullanılamaz. Alete toz başlığı seti takılıysa kavrama kolunu standart yan kavrama kolundan çıkarın ve daha sonra isteğe bağlı kavrama kolu taban setine takın.

► **Şek.12:** 1. Cıvata 2. Kavrama kolu 3. İsteğe bağlı kavrama kolu taban seti

ÖNEMLİ NOT: Metal ve benzeri malzemeleri delerken toz başlığı setini kullanmayın. Bunun yapılması, küçük metal tozları ve benzeri maddelerin neden olduğu ısı yüzünden toz başlığı setine zarar verebilir. Matkap ucu alete takılı iken toz başlığı setini takmayın veya çıkarmayın. Bunun yapılması toz başlığı setine zarar verebilir ve toz sızmasına neden olabilir.

Toz başlığı setini takmadan önce ucun takılı olması durumunda ucu aletten çıkarın. Ara parçayı genişleterek, ara parça üzerindeki oluklar alet gövdesi üzerindeki çıkıntılara oturacak şekilde takın. Yayın, ara parçanın kesik bölümünden çıkmamasına dikkat edin.

► **Şek.13:** 1. Ara parça 2. Yay

► **Şek.14**

Yan kavrama kolunu (isteğe bağlı kavrama kolu taban seti ve kavrama kolu, standart yan kavrama kolundan çıkarılmış), kavrama kolu üzerindeki oluklar ara parçadaki çıkıntılara oturacak şekilde takın. Kavrama kolunu sabitlemek için saat yönünde döndürün.

► **Şek.15:** 1. Yan kavrama kolu

Toz başlığı setini, toz başlığının kısıkları ara parçadaki kesiklere oturacak şekilde takın.

► **Şek.16:** 1. Toz başlığı 2. Kıskaç

NOT: Toz başlığı setine bir elektrikli süpürge bağlıyorsanız, bunu yapmadan önce toz kapağını çıkarın.

► **Şek.17:** 1. Toz kapağı

Matkap ucunu çıkarmak için, mandren kapağını tamamen aşağı çekin ve matkap ucunu çekip çıkarın.

► **Şek.18:** 1. Uç 2. Mandren kapağı

Toz başlığı setini çıkarmak için, toz başlığının alt kısmını tutun ve çekip çıkarın.

► **Şek.19**

NOT: Toz başlığının kapağı çıkarsa, yazılı kısmı yukarı bakacak ve kapağın üzerindeki oluk ek parçanın çevreleyen kısmının içine oturacak şekilde takın.

► **Şek.20**

KULLANIM


⚠DİKKAT: Çalışırken daima yan kavrama kolunu (yardımcı tutamak) kullanın ve aleti hem yan kavrama kolundan hem de anahtar kabzasından sıkıca kavrayın.

⚠DİKKAT: Çalışmaya başlamadan önce iş parçasının sabitlenmiş olduğundan daima emin olun.

► **Şek.21**

Darbeli matkap işleyişi

⚠DİKKAT: Delik delme sırasında delik talaşlar ya da parçacıklarla tıkanıyor ya da betona gömülü betonarme demirlerle çarpıldığı zaman, alet/matkap ucu üstüne çok büyük ve ani bir burulma kuvveti etki eder. Çalışırken daima yan kavrama kolunu (yardımcı tutamak) kullanın ve aleti hem yan kavrama kolundan hem de anahtar kabzasından sıkıca kavrayın. Bunu yapmazsanız aletin kontrolünü kaybedebilir ve ciddi şekilde yaralanmaya neden olabilirsiniz.

Eylem modu değiştirme düğmesini  sembolüne ayarlayın. Matkap ucunu delmek istediğiniz noktaya yerleştirin ve ardından anahtar tetiği çekin. Aleti zorlamayın. En iyi sonucu almak için hafif bir basınç uygulamanız yeterlidir. Aletin konumu koruyun ve deliğin dışına kaymasını önleyin.

Delik talaş ya da parçacıklardan dolayı tıkanırsa daha fazla basınç uygulamayın. Bunun yerine aleti rölantide çalıştırın ve ardından matkap ucunu kısmen delikten çıkarın. Bunu birkaç kez tekrarladığınızda delik temizlenir ve normal delme işlemine devam edebilirsiniz.

NOT: Alet yüksüz olarak çalıştığında matkap ucunun dönüşünde merkezden sapma meydana gelebilir. Kullanım sırasında alet otomatik olarak konumu düzeltir. Delme işleminin kesinliği etkilenmez.

Tahta veya metal delme

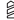
⚠DİKKAT: Matkap ucu, iş parçasını delip çıkmaya başladığında aleti sıkı tutun ve dikkat sarf edin. Deliğin açılması sırasında alet/matkap ucu üzerine çok büyük güç uygulanır.

⚠DİKKAT: Sıkışan bir matkap ucu, aleti ters yöne döndürerek kolayca çıkartılabilir. Fakat bu durumda aleti sıkıca tutmak gerekir, aksi halde alet darbe ile aniden elden çıkabilir.

⚠DİKKAT: İş parçalarını daima bir mengene ya da benzer sıkıştırma aygıtlarıyla sabitleyin.

ÖNEMLİ NOT: Matkap mandreni aletin üzerine takılı olduğunda "kırmalı dönüş" özelliğini asla kullanmayın. Matkap mandreni zarar görebilir. Ayrıca, alet ters dönerken matkap mandreni yerinden çıkar.

ÖNEMLİ NOT: Alete aşırı baskı yapıldığında delme işlemi hızlanmayacaktır. Aşırı baskı matkap ucunun yıpranmasına, alet performansının düşmesine ve aletin kullanım ömrünün kısalmasına yol açacaktır.

Eylem modu deęiřtirme düęmesini  sembolüne ayarlayın.

Mandren adaptörünü, 1/2"-20 vida monte edilebilen bir anahtarsız matkap mandrenine takın ve daha sonra bunlar alete takın. Takarken, "Matkap ucunun takılması veya çıkarılması" bölümüne başvurun.

► **Şek.22:** 1. Anahtarsız matkap mandreni 2. Mandren adaptörü

Toz üfleme aparatı

İsteęe baęlı aksesuarlar

Delięi deldikten sonra, delięin içindeki tozu temizlemek için toz üfleme aparatını kullanın.

► **Şek.23**

Toz başlıęı setinin kullanılması

İsteęe baęlı aksesuarlar

Aleti kullanırken toz başlıęı setini tavana yerleřtirin.

► **Şek.24**

ÖNEMLİ NOT: Toz başlıęı setini metal veya benzeri materyal üzerinde delme işlemi yaparken kullanmayın. Küçük metal tozu veya benzeri tara-fından üretilen ısıdan dolayı, toz başlıęı setine zarar verebilir.

ÖNEMLİ NOT: Alete matkap ucu takılı iken toz başlıęı setini takmayın veya çıkarmayın. Toz başlıęı setine zarar verebilir ve toz sızıntısına neden olabilir.

BAKIM

▲ DİKKAT: Muayene ya da bakım yapmadan önce aletin kapalı ve batarya kartuşunun çıkartılmış olduęundan daima emin olun.

ÖNEMLİ NOT: Benzin, tiner, alkol ve benzeri maddeleri kesinlikle kullanmayın. Renk deęiřimi, deformasyon veya çatlaklar oluşabilir.

Aleti EMNİYETLİ ve ÇALIřMAYA HAZIR durumda tutmak için onarımlar, bařka her türlü bakım ve ayarlamalar daima Makita yedek parçaları kullanılarak Makita yetkili servis merkezleri veya Fabrikanın Servis Merkezleri tarafından yapılmalıdır.

İSTEęE BAęLI AKSESUARLAR

▲ DİKKAT: Bu aksesuarlar ve ek parçalar bu el kitabında belirtilen Makita aletiniz ile kullanılmak için tavsiye edilmektedir. Herhangi bařka bir aksesuar ya da ek parça kullanılması insanlar için bir yaralanma riski getirebilir. Aksesuarları ya da ek parçaları yalnızca belirtilmiş olan kullanım amaçlarına uygun olarak kullanın.

Bu aksesuarlarla ilgili daha fazla bilgiye ihtiyaç duyar-sanız bulunduęunuz yerdeki yetkili Makita servisine başvurun.

- Karbür matkap uçları (SDS-plus karbür matkap uçları)
- Karot matkap ucu
- Elmas karot matkap ucu
- Mandren adaptörü
- Anahtarsız matkap mandreni
- Üç gresi
- Derinlik mastarı
- Toz üfleme aparatı
- Toz başlıęı
- Toz başlıęı seti
- Kavrama kolu taban seti
- Koruyucu gözlük
- Plastik taşıma çantası

NOT: Listedeki parçaların bazıları alet paketi içeri-sinde standart aksesuar olarak dahil edilmiş olabilir. Bunlar ülkeden ülkeye farklılık gösterebilir.

Makita Europe N.V. Jan-Baptist Vinkstraat 2,
3070 Kortenberg, Belgium

Makita Corporation 3-11-8, Sumiyoshi-cho,
Anjo, Aichi 446-8502 Japan

www.makita.com

885579B997
EN, FR, DE, IT, NL,
ES, PT, DA, EL, TR
20170912

ENGLISH

Annex A: EC Declaration of Conformity

We as the manufacturers: **Makita Europe N.V.**, Business address: **Jan-Baptist Vinkstraat 2, 3070 Kortenberg, BELGIUM**. Authorize **Yasushi Fukaya** for the compilation of the technical file and declare under our sole responsibility that the product(s); Designation: **Rotary Hammer**. Designation of Type(s): **HR1840, HR1841F**. Fulfills all the relevant provisions of **2006/42/EC** and also fulfills all the relevant provisions of the following EC/EU Directives: **2014/30/EU, 2011/65/EU** and are manufactured in accordance with the following Harmonised Standards: **EN 60745-1:2009+A11:2010, EN 60745-2-6:2010, EN 55014-1:2006+A1:2009+A2:2011, EN 55014-2:2015, EN 61000-3-2:2014, EN 61000-3-3:2013** and internal document: **QSDA001-QC Makita RoHS Management Procedure**.

Place of declaration: **Kortenberg, Belgium**. Responsible person: **Yasushi Fukaya, Director - Makita Europe N.V.** (Designation of Type, serial number (S/N), date and signature on the last page)

FRANÇAIS

Annexe A : Déclaration de conformité CE

Nous, **Makita Europe N.V.**, en tant que fabricant, ayant pour adresse commerciale: **Jan-Baptist Vinkstraat 2, 3070 Kortenberg, Belgique**, autorisons **Yasushi Fukaya** à compiler le fichier technique et déclarons sous notre entière responsabilité que le produit ; désignation : **Marteau Perforateur**, désignation du (des) type(s) : **HR1840, HR1841F**. Respecte(nt) toutes les dispositions pertinentes de la directive **2006/42/EC** ainsi que celles des directives CE/UE suivantes : **2014/30/EU, 2011/65/EU**, et est (sont) fabriqué(s) conformément aux normes harmonisées suivantes : **EN 60745-1:2009+A11:2010, EN 60745-2-6:2010, EN 55014-1:2006+A1:2009+A2:2011, EN 55014-2:2015, EN 61000-3-2:2014, EN 61000-3-3:2013**, ainsi qu'au document interne : **Procédure de gestion RoHS Makita QSDA001-QC**.

Lieu de la déclaration : **Kortenberg, Belgique**. Responsable : **Yasushi Fukaya, Directeur - Makita Europe N.V.** (Désignation du type, numéro de série (S/N), date et signature sur la dernière page)

DEUTSCH

Anhang A: EG-Konformitätserklärung

Wir als die Hersteller: **Makita Europe N.V.**, Geschäftsadresse: **Jan-Baptist Vinkstraat 2, 3070 Kortenberg, Belgien**. beauftragen **Yasushi Fukaya** mit der Zusammenstellung der technischen Dokumentation und erklären unter unserer alleinigen Verantwortung, dass das (die) Produkt(e); Bezeichnung: **Bohrhammer**. Bezeichnung des (der) Typs (Typen): **HR1840, HR1841F**. Erfüllt alle relevanten Vorschriften von **2006/42/EC** sowie alle relevanten Vorschriften der folgenden EG/EU-Richtlinien: **2014/30/EU, 2011/65/EU** und werden gemäß den folgenden harmonisierten Normen gefertigt: **EN 60745-1:2009+A11:2010, EN 60745-2-6:2010, EN 55014-1:2006+A1:2009+A2:2011, EN 55014-2:2015, EN 61000-3-2:2014, EN 61000-3-3:2013** und internes Dokument: **QSDA001-QC Makita RoHS-Managementverfahren**.

Ort der Erklärung: **Kortenberg, Belgien**. Verantwortliche Person: **Yasushi Fukaya, Direktor - Makita Europe N.V.** (Typenbezeichnung, Seriennummer (S/N), Datum und Unterschrift auf der letzten Seite)

ITALIANO

Allegato A: Dichiarazione di conformità CE

In qualità di fabbricante, **Makita Europe N.V.**, con indirizzo aziendale **Jan-Baptist Vinkstraat 2, 3070 Kortenberg, Belgio**, autorizza **Yasushi Fukaya** alla compilazione della documentazione tecnica e dichiara, sotto la propria ed esclusiva responsabilità, che il prodotto o i prodotti con designazione **Martello rotativo**, e con designazione del tipo o dei tipi: **HR1840, HR1841F**, è conforme a tutte le disposizioni rilevanti della normativa **2006/42/EC**, e che è, inoltre, conforme a tutte le disposizioni rilevanti delle Direttive CE/UE seguenti, **2014/30/EU, 2011/65/EU**, ed è fabbricato in conformità agli Standard Armonizzati seguenti, **EN 60745-1:2009+A11:2010, EN 60745-2-6:2010, EN 55014-1:2006+A1:2009+A2:2011, EN 55014-2:2015, EN 61000-3-2:2014, EN 61000-3-3:2013** e al documento interno: **Procedura di gestione RoHS Makita QSDA001-QC**.

Sede della dichiarazione: **Kortenberg, Belgio**. Persona responsabile: **Yasushi Fukaya, Direttore - Makita Europe N.V.** (Designazione del tipo, numero di serie (S/N), data e firma sull'ultima pagina)

NEDERLANDS

Aanhangsel A: EG-verklaring van conformiteit

Wij als de fabrikant: **Makita Europe N.V.**, vestigingsadres: **Jan-Baptist Vinkstraat 2, 3070 Kortenberg, België**, volmachtigen **Yasushi Fukaya** tot samenstelling van het technisch dossier en verklaren als enige verantwoordelijke dat het product(en), omschrijving: **Boorhamer**; typenummer(s): **HR1840, HR1841F**; voldoet aan alle relevante voorschriften van richtlijn **2006/42/EC** en voldoet tevens aan de relevante voorschriften van de volgende EG/EU-richtlijnen: **2014/30/EU, 2011/65/EU** en is vervaardigd in overeenstemming met de volgende geharmoniseerde normen: **EN 60745-1:2009+A11:2010, EN 60745-2-6:2010, EN 55014-1:2006+A1:2009+A2:2011, EN 55014-2:2015, EN 61000-3-2:2014, EN 61000-3-3:2013** en intern document: **QSDA001-QC Makita RoHS-beheersprocedure**.

Plaats van verklaring: **Kortenberg, België**. Verantwoordelijke persoon: **Yasushi Fukaya, Directeur - Makita Europe N.V.** (Aanduiding van het type, serienummer (S/N), datum en handtekening op de laatste pagina)

ESPAÑOL

Anexo A: Declaración CE de conformidad

Nosotros como los fabricantes: **Makita Europe N.V.**, Dirección comercial: **Jan-Baptist Vinkstraat 2, 3070 Kortenberg, Bélgica**. Autorizamos a **Yasushi Fukaya** para la compilación del archivo técnico y declaramos ante nuestra sola responsabilidad que el(los) producto(s); Designación: **Martillo Rotativo**. Designación de tipo(s): **HR1840, HR1841F**. Cumple todas las provisiones pertinentes de **2006/42/EC** y también cumple con todas las provisiones pertinentes de las Directivas CE/UE siguientes: **2014/30/EU, 2011/65/EU** y está fabricado de acuerdo con los estándares unificados siguientes: **EN 60745-1:2009+A11:2010, EN 60745-2-6:2010, EN 55014-1:2006+A1:2009+A2:2011, EN 55014-2:2015, EN 61000-3-2:2014, EN 61000-3-3:2013** y documento interno: **QSDA001-QC Procedimiento de gestión Makita RoHS**.

Lugar de la declaración: **Kortenberg, Bélgica**. Persona responsable: **Yasushi Fukaya, Director - Makita Europe N.V.** (Designación de tipo, número de serie (S/N), fecha y firma en la última página)

PORTUGUÊS

Anexo A: Declaração de conformidade da CE

A empresa, na qualidade de fabricante: **Makita Europe N.V.**, Endereço comercial: **Jan-Baptist Vinkstraat 2, 3070 Kortenberg, Bélgica**. Autorizamos **Yasushi Fukaya** a realizar a compilação do ficheiro técnico e declaramos, ao abrigo da nossa própria responsabilidade, que o(s) produto(s); Designação: **Martelete Rotativo**. Designação de tipo(s): **HR1840, HR1841F**. Cumpre todas as indicações relevantes da **2006/42/EC**, cumprindo ainda todas as indicações relevantes das seguintes Diretivas CE/UE: **2014/30/EU, 2011/65/EU** e são fabricados de acordo com as seguintes Normas Harmonizadas: **EN 60745-1:2009+A11:2010, EN 60745-2-6:2010, EN 55014-1:2006+A1:2009+A2:2011, EN 55014-2:2015, EN 61000-3-2:2014, EN 61000-3-3:2013** e documento interno: **QSDA001-QC Procedimento de Gestão RoHS Makita**.

Local da declaração: **Kortenberg, Bélgica**. Pessoa responsável: **Yasushi Fukaya, Diretor – Makita Europe N.V.** (Designação do tipo, número de série (S/N), data e assinatura na última página)

DANSK

Tillæg A: EF konformitetserklæring

Vi som producenter: **Makita Europe N.V.**, Forretningsadresse: **Jan-Baptist Vinkstraat 2, 3070 Kortenberg, Belgien**, autoriserer **Yasushi Fukaya** til kompilationen af den tekniske fil og erklærer, under vores eneansvar, at produktet (produkterne), Betegnelse: **Borhammer**. Betegnelse for type (typer): **HR1840, HR1841F**, opfylder alle de relevante betingelser for **2006/42/EC** og opfylder desuden alle de relevante betingelser i følgende EF/EU-direktiver: **2014/30/EU, 2011/65/EU** og er fremstillet i overensstemmelse med de følgende harmoniserede standarder: **EN 60745-1:2009+A11:2010, EN 60745-2-6:2010, EN 55014-1:2006+A1:2009+A2:2011, EN 55014-2:2015, EN 61000-3-2:2014, EN 61000-3-3:2013** og det interne dokument: **QSDA001-QC Makita RoHS-administrationsprocedure**.

Sted for erklæring: **Kortenberg, Belgien**. Ansvarlig person: **Yasushi Fukaya, Direktør – Makita Europe N.V.** (Typebetegnelse, serienummer (S/N), dato og underskrift på sidste side)

ΕΛΛΗΝΙΚΑ

Παράρτημα Α: Δήλωση Συμμόρφωσης ΕΚ

Εμείς ως οι κατασκευαστές: **Makita Europe N.V.**, Διεύθυνση επιχείρησης: **Jan-Baptist Vinkstraat 2, 3070 Kortenberg, Βέλγιο**. Εξουσιοδοτούμε τον **Yasushi Fukaya** για τη σύνταξη του τεχνικού αρχείου και δηλώνουμε, υπό την αποκλειστική ευθύνη μας, ότι το(α) προϊόν(τα), Χαρακτηρισμός: **Περιστροφικό δράπανο**. Χαρακτηρισμός τύπου(ων): **HR1840, HR1841F**. Ικανοποιεί όλες τις σχετικές διατάξεις της Οδηγίας **2006/42/ΕΚ** και επίσης ικανοποιεί όλες τις σχετικές διατάξεις των ακόλουθων Οδηγιών ΕΚ/ΕΕ: **2014/30/ΕΥ, 2011/65/ΕΥ** και κατασκευάζεται σύμφωνα με τα ακόλουθα εναρμονισμένα πρότυπα: **EN 60745-1:2009+A11:2010, EN 60745-2-6:2010, EN 55014-1:2006+A1:2009+A2:2011, EN 55014-2:2015, EN 61000-3-2:2014, EN 61000-3-3:2013** και το εσωτερικό έγγραφο: **QSDA001-QC Διαδικασία διαχείρισης RoHS της Makita**.

Τόπος της δήλωσης: **Kortenberg, Βέλγιο**. Υπεύθυνος: **Yasushi Fukaya, Διευθυντής – Makita Europe N.V.** (Προσδιορισμός τύπου, σειριακός αριθμός (S/N), ημερομηνία και υπογραφή στην τελευταία σελίδα)

TÜRKÇE

Ek A: AT Uygunluk Beyanı

Üretici olarak biz, iş adresi **Jan-Baptist Vinkstraat 2, 3070 Kortenberg, Belçika** olan **Makita Europe N.V.**; **Yasushi Fukaya**'yı teknik dosyanın hazırlanması için yetkilendiriyor ve tek sorumlu olarak Ürün Adı: **Kırcı Delici** Model adı: **HR1840, HR1841F** olan ürünün/ürünlerin **2006/42/EC**'nin ilgili tüm hükümlerinin gerekliliklerini yerine getirdiğini, ayrıca **2014/30/EU, 2011/65/EU** AT/AB Direktiflerinin ilgili tüm hükümlerinin gerekliliklerini yerine getirdiğini ve **EN 60745-1:2009+A11:2010, EN 60745-2-6:2010, EN 55014-1:2006+A1:2009+A2:2011, EN 55014-2:2015, EN 61000-3-2:2014, EN 61000-3-3:2013** Eşdeğer Standartlarına ve **QSDA001-QC Makita RoHS Yönetim Prosedürü** dahilii belgesinin ilkelerine uygun olarak ürettiğini beyan ediyoruz. Beyan yeri: **Kortenberg, Belçika**. Sorumlu kişi: **Yasushi Fukaya, Müdür – Makita Europe N.V.** (Model adı, seri numarası (S/N), son sayfada tarih ve imza)

SVENSKA

Bilaga A: EG-försäkrän om överensstämmelse

I egenskap av tillverkare: **Makita Europe N.V.**, med företagsadress **Jan-Baptist Vinkstraat 2, 3070 Kortenberg, Belgien**, auktoriserar vi **Yasushi Fukaya** för sammanställningen av den tekniska dokumentationen och försäkrar under ansvar att produkten (eller produkterna) – Beteckning: **Borhammare**. Typbeteckning: **HR1840, HR1841F**. – uppfyller alla relevanta bestämmelser i **2006/42/EC** och även uppfyller alla relevanta bestämmelser i följande EG/EU-direktiv: **2014/30/EU, 2011/65/EU**, samt är tillverkade i enlighet med följande harmoniserade standarder: **EN 60745-1:2009+A11:2010, EN 60745-2-6:2010, EN 55014-1:2006+A1:2009+A2:2011, EN 55014-2:2015, EN 61000-3-2:2014, EN 61000-3-3:2013** och det interna dokumentet: **QSDA001-QC Makita RoHS-hanteringsförfarande**.

Plats för givande av försäkrän: **Kortenberg, Belgien**. Ansvarig person: **Yasushi Fukaya, Direktör – Makita Europe N.V.** (Typbeteckning, serienummer (S/N), datum och underskrift på sista sidan)

NORSK

Tillegg A: EF-samsvarserklæring

Vi, som producenter:

Makita Europe N.V., Forretningsadresse: **Jan-Baptist Vinkstraat 2, 3070 Kortenberg, Belgia**

autoriserer **Yasushi Fukaya** til å kompilere den tekniske filen og erklærer under vårt eneansvar at produktet;

Betegnelse: **Borhammer**

Modellbetegnelse: **HR1840, HR1841F**. Oppfyller alle relevante bestemmelser i **2006/42/EC** og oppfyller også alle bestemmelser i følgende EF/EU-direktiver: **2014/30/EU, 2011/65/EU** og er fremstilt i samsvar med følgende harmoniserte standarder: **EN 60745-1:2009+A11:2010, EN 60745-2-6:2010, EN 55014-1:2006+A1:2009+A2:2011, EN 55014-2:2015, EN 61000-3-2:2014, EN 61000-3-3:2013** og internt dokument: **QSDA001-QC Makita RoHS styringsprosedyre**.

Sted for erklæring: **Kortenberg, Belgia**.

Ansvarlig: **Yasushi Fukaya, Direktør – Makita Europe N.V.** (Typebetegnelse, serienummer (S/N), dato og signatur på siste side)

SUOMI

Liite A: EY-vaatimustenmukaisuusvakuutus

Vastuullinen valmistaja: **Makita Europe N.V.**, yrityksen osoite: **Jan-Baptist Vinkstraat 2, 3070 Kortenberg, Belgia**, valtuuttaa **Yasushi Fukaya**n kokoamaan tekniset asiakirjat ja vakuuttaa omalla vastuullaan, että tuote (tuotteet); Laitteen nimi: **Poravasara**. Laitteen tyyppi (tyypit): **HR1840, HR1841F**. Täyttää kaikki direktiivin **2006/42/EC** olennaiset vaatimukset sekä täyttää myös kaikki seuraavien EY-/EU-direktiivien olennaiset vaatimukset: **2014/30/EU, 2011/65/EU** ja on valmistettu seuraavien yhdenmukaistettujen standardien: **EN 60745-1:2009+A11:2010, EN 60745-2-6:2010, EN 55014-1:2006+A1:2009+A2:2011, EN 55014-2:2015, EN 61000-3-2:2014, EN 61000-3-3:2013** sekä sisäisen asiakirjan: **QSDA001-QC Makita RoHS-hallintamenetelly mukaisesti**.

Ilmoituksen antopaikka: **Kortenberg, Belgia**. Vastuuhenkilö: **Yasushi Fukaya, johtaja – Makita Europe N.V.** (Laitteen tyyppi, sarjanumero (S/N), päivämäärä ja allekirjoitus viimeisellä sivulla)

LATVIEŠU

A pielikums: EK atbilstības deklarācija

Ražotājs **Makita Europe N.V.**, juridiskā adrese: **Jan-Baptist Vinkstraat 2, 3070 Kortenberg, Belgija**, pilnvaro savu pārstāvi **Yasushi Fukaya** sagatavot tehnisko dokumentāciju un ar mūsu vienpersonisko atbildību paziņot, ka izstrādājums(-), nosaukums: **Perforators, veids(-): HR1840, HR1841F**, atbilst visiem attiecīgajiem direktīvas **2006/42/EC** noteikumiem, kā arī atbilst visiem attiecīgajiem šādu EK/ES direktīvu noteikumiem: **2014/30/EU, 2011/65/EU**, un ir ražots(-) saskaņā ar šādiem harmonizētajiem standartiem: **EN 60745-1:2009+A11:2010, EN 60745-2-6:2010, EN 55014-1:2006+A1:2009+A2:2011, EN 55014-2:2015, EN 61000-3-2:2014, EN 61000-3-3:2013**, kā arī saskaņā ar iekšējo dokumentu: **QSDA001-QC Makita RoHS pārvaldības procedūra**.

Deklarācijas izdošanas vieta: **Kortenberg, Belgija**. Atbildīgā persona: **Makita Europe N.V. direktors Yasushi Fukaya** (Veidu, sērijas numuru (S/N), datumu un parakstu skatiet pēdējā lapā)

LIETUVIŲ KALBA

A priedas: EB atitikties deklaracija

Mes, gamintojai **Makita Europe N.V.**, įmonės adresas: **Jan-Baptist Vinkstraat 2, 3070 Kortenberg, Belgija**, įgaliojame **Yasushi Fukaya** parengti techninę bylą ir savo išskirtine atsakomybe deklaruojame, kad gaminys (-iai); žymuo: **Rotacinis plaktukas**; Tipų (-ų) žymuo: **HR1840, HR1841F**. Atitinka visus aktualius **2006/42/EC** nuostatus ir taip pat toliau nurodytų EB/ES direktyvų nuostatus: **2014/30/EU, 2011/65/EU**; be to, pagaminta laikantis šių darniųjų standartų: **EN 60745-1:2009+A11:2010, EN 60745-2-6:2010, EN 55014-1:2006+A1:2009+A2:2011, EN 55014-2:2015, EN 61000-3-2:2014, EN 61000-3-3:2013** ir vidinio dokumento: **QSDA001-QC „Makita“ RoHS valdymo procedūra**.

Deklaravimo vieta: **Kortenberg, Belgija**. Atsakingasis asmuo: **Makita Europe N.V. direktorius Yasushi Fukaya** (Tipų žymuo, serijos numeris (S/N), data ir parašas paskutiniame puslapyje)

EESTI

Lisa A: EÜ vastavusdeklaratsioon

Meie kui tootjad: **Makita Europe N.V.**, juuriidiline aadress: **Jan-Baptist Vinkstraat 2, 3070 Kortenberg, Belgia**, volitame **Yasushi Fukaya** koostama tehnilist toimituk ja kinnitame oma ainuvastutusel, et toode/tooted; nimetus: **Puurvasar**; Tüübinimetus(ed): **HR1840, HR1841F**; vastab direktiivi **2006/42/EC** kõigile asjaomastele sätetele ning EÜ/EL direktiivide **2014/30/EU, 2011/65/EU** kõigile asjaomastele sätetele ning on toodetud kooskõlas järgmistele ühtlustatud standardite: **EN 60745-1:2009+A11:2010, EN 60745-2-6:2010, EN 55014-1:2006+A1:2009+A2:2011, EN 55014-2:2015, EN 61000-3-2:2014, EN 61000-3-3:2013** ja sisedokumentiga **QSDA001-QC (Makita ohtlike ainete kasutamise piiramise menetluskord)**.

Deklareerimiskoht: **Kortenberg, Belgia**. Vastutav isik: **Yasushi Fukaya, direktor – Makita Europe N.V.** (Tüübitähise, seerianumbri (S/N), kuupäeva ja allkirja leiate viimaselt lehkeljelt.)

POLSKI

Aneks A: Deklaracja zgodności WE

My jako producent: **Makita Europe N.V.**, adres firmy: **Jan-Baptist Vinkstraat 2, 3070 Kortenberg, Belgia**. Upoważniamy pana **Yasushi Fukaya** do opracowania dokumentacji technicznej i wydania oświadczenia na naszą wyłączną odpowiedzialność, że produkt(y); Opis: **Młotowiertarka**. Oznaczenie typu (typów): **HR1840, HR1841F**. Spełniają wszelkie stosowne postanowienia dyrektywy **2006/42/EC** i dodatkowo spełniają wszelkie stosowne postanowienia poniższych dyrektyw WE/UE: **2014/30/EU, 2011/65/EU** i są produkowane zgodnie z następującymi normami zharmonizowanymi: **EN 60745-1:2009+A11:2010, EN 60745-2-6:2010, EN 55014-1:2006+A1:2009+A2:2011, EN 55014-2:2015, EN 61000-3-2:2014, EN 61000-3-3:2013** oraz wewnętrznym dokumentem: **Procedura zarządzania firmy Makita w ramach RoHS QSDA001-QC**.

Miejsce złożenia deklaracji: **Kortenberg, Belgia**. Osoba odpowiedzialna: **Yasushi Fukaya, Dyrektor Makita Europe N.V.** (Oznaczenie typu, numer seryjny (S/N), data i podpis na ostatniej stronie)

MAGYAR

A. függelék: EK megfeleléségi nyilatkozat

Felelős gyártóként, a **Makita Europe N.V.**, székhely címe: **Jan-Baptist Vinkstraat 2, 3070 Kortenberg, Belgium**, feljogosítottuk **Yasushi Fukaya**-t a műszaki dokumentáció összeállítására, és saját kizárólagos felelősségünkre kijelentjük, hogy a termék(ek); rendeltetése: **Fűrókalapács**; típusmegnevezése: **HR1840, HR1841F**; megfelel a **2006/42/EC** irányelv minden vonatkozó rendelkezésének, továbbá megfelel az alábbi EK/EU irányelvek minden vonatkozó rendelkezésének: **2014/30/EU, 2011/65/EU**, és gyártása az alábbi harmonizált szabványoknak: **EN 60745-1:2009+A11:2010, EN 60745-2-6:2010, EN 55014-1:2006+A1:2009+A2:2011, EN 55014-2:2015, EN 61000-3-2:2014, EN 61000-3-3:2013** és a következő belső dokumentumnak megfelelően történt: **QSDA001-QC Makita Elektromos és elektronikus berendezések veszélyes anyagainak korlátozására (RoHS) vonatkozó kezelési eljárás**.

A nyilatkozattétel helye: **Kortenberg, Belgium**. Felelős személy: **Yasushi Fukaya, igazgató – Makita Europe N.V.** (Típusmegjelölés, sorozatszám (S/N), dátum és aláírás az utolsó lapon)

SLOVENSKY

Priloga A: Vyhlasenie o zhode v rámci ES

Naša spoločnosť, ako výrobca: **Makita Europe N.V.**, firemná adresa: **Jan-Baptist Vinkstraat 2, 3070 Kortenberg, Belgicko**. Týmto oprávňujeme **Yasushi Fukaya** na zostavenie technického súboru a vyhlasujeme na našu výhradnú zodpovednosť, že výrobok(ky); Označenie: **Vrtacie kladivo**. Označenie typu(ov): **HR1840, HR1841F**. Splňa všetky príslušné ustanovenia **2006/42/EC** a taktiež splňa všetky príslušné ustanovenia nasledujúcich smerníc ES/EÚ: **2014/30/EU, 2011/65/EU**, pričom je vyrobená v súlade s nasledujúcimi harmonizovanými normami: **EN 60745-1:2009+A11:2010, EN 60745-2-6:2010, EN 55014-1:2006+A1:2009+A2:2011, EN 55014-2:2015, EN 61000-3-2:2014, EN 61000-3-3:2013** a interný dokument: **QSDA001-QC Postup spoločnosti Makita pri riadení obmedzenia používania určitých nebezpečných látok v elektrických a elektronických zariadeniach (RoHS)**.

Miesto vyhlásenia: **Kortenberg, Belgicko**. Zodpovedná osoba: **Yasushi Fukaya, riaditeľ – Makita Europe N.V.** (Označenie typu, výrobné číslo (S/N), dátum a podpis sú uvedené na poslednej strane)

ČESKY

Priloga A: ES prohlášení o shodě

My, jako výrobci: **Makita Europe N.V.**, Adresa firmy: **Jan-Baptist Vinkstraat 2, 3070 Kortenberg, Belgie**. Pověřujeme **Yasushi Fukaya** sestavením technické dokumentace a prohlašujeme na naši vlastní odpovědnost, že produkt(y); Označení: **Vrtací a sekací kladivo**. Typové označení: **HR1840, HR1841F**. Splňuje veškerá příslušná ustanovení směrnice **2006/42/EC** a také splňuje všechna související ustanovení následujících směrnic ES/EU: **2014/30/EU, 2011/65/EU** a je vyroben v souladu s následujícími harmonizovanými normami: **EN 60745-1:2009+A11:2010, EN 60745-2-6:2010, EN 55014-1:2006+A1:2009+A2:2011, EN 55014-2:2015, EN 61000-3-2:2014, EN 61000-3-3:2013** a interním dokumentem: **QSDA001-QC Postup řízení Makita RoHS**.

Místo prohlášení: **Kortenberg, Belgie**. Odpovědná osoba: **Yasushi Fukaya, ředitel – Makita Europe N.V.** (Typové označení, sériové číslo (S/N), datum a podpis na poslední straně)

SLOVENSKO

Priloga A: ES-izjava o skladnosti

Mi, podjetje: **Makita Europe N.V.**, poslovni naslov: **Jan-Baptist Vinkstraat 2, 3070 Kortenberg, Belgija**. ko proizvajalec pooblašamo g. **Yasushi Fukaya** za sestavo tehnične datoteke in na lastno odgovornost izjavljamo, da je izdelek; oznaka: **Vrtalno kladivo** Oznaka vrste(e): **HR1840, HR1841F**. V skladu z vsemi zadevnimi določili **2006/42/EC** in ustreza zahtevam vseh bistvenih določil naslednjih Direktiv ES/EU: **2014/30/EU, 2011/65/EU** ter je izdelan v skladu z naslednjimi harmoniziranimi standardi: **EN 60745-1:2009+A11:2010, EN 60745-2-6:2010, EN 55014-1:2006+A1:2009+A2:2011, EN 55014-2:2015, EN 61000-3-2:2014, EN 61000-3-3:2013** in internim dokumentom: **QSDA001-QC Postopek upravljanja podjetja Makita v skladu z direktivo o omejevanju nevarnih snovi (RoHS)**.

Kraj izjave: **Kortenberg, Belgija**. Odgovorna oseba: **Yasushi Fukaya, direktor – Makita Europe N.V.** (Oznaka tipa, serijska številka (S/N), datum in podpis na zadnji strani.)

SHQIP

Shtojca A: Deklarata e konformitetit e KE-së

Ne, si kompania prodhuese: **Makita Europe N.V.**, me adresë biznesi: **Jan-Baptist Vinkstraat 2, 3070 Kortenberg, Belgjikë**, autorizojmë **Yasushi Fukaya** për përpilimin e skedarit teknik dhe deklarojmë se është përgjegjësia jonë e vetme se produkti(et); Përkufizimi: **Çekiçi rrotullues**. Përcaktimi i llojit(ëve): **HR1840, HR1841F**, përmbush të gjitha dispozitat përkatëse të **2006/42/EC**, gjithashtu përmbush edhe të gjitha dispozitat përkatëse të direktivave të mëposhtme të KE-së/BE-së: **2014/30/EU, 2011/65/EU** dhe prodhohen në përputhje me standardet e harmonizuara në vijim: **EN 60745-1:2009+A11:2010, EN 60745-2-6:2010, EN 55014-1:2006+A1:2009+A2:2011, EN 55014-2:2015, EN 61000-3-2:2014, EN 61000-3-3:2013** dhe dokumentin e brendshëm: **Procedura për menaxhimin e kufizimit të substancave të rrezikshme (RoHS)** të veglave elektrike **Makita QSDA001-QC**.

Vendi i deklaratës: **Kortenberg, Belgjikë**. Personi përgjegjës: **Yasushi Fukaya, drejtor – Makita Europe N.V.** (Përcaktimi i llojit, numër serial (S/N), data dhe nënshkrimi në faqen e fundit)

БЪЛГАРСКИ

Анекс А: ЕО декларация за съответствие

В качеството си на производител ние: **Makita Europe N.V.**, с адрес на управление: **Jan-Baptist Vinkstraat 2, 3070 Kortenberg, Белгия**, упълномощаваме **Yasushi Fukaya** да състави техническото досие и да декларира от наше име, че продукта(ите): Наименование: **Ударна бормашина**. Модел: **HR1840, HR1841F**. Отговаря(т) на съответните разпоредби на **2006/42/EC** и освен това отговаря(т) на съответните разпоредби на следните ЕО/ЕС директиви: **2014/30/EU, 2011/65/EU** и се произвежда(т) в съответствие със следните хармонизирани стандарти: **EN 60745-1:2009+A11:2010, EN 60745-2-6:2010, EN 55014-1:2006+A1:2009+A2:2011, EN 55014-2:2015, EN 61000-3-2:2014, EN 61000-3-3:2013** и вътрешнофирмен документ **QSDA001-QC „Процедура на Makita за управление на ограничения на употребата на опасни вещества (RoHS)“**.

Място на издаване на декларацията: **Kortenberg, Белгия**. Оторизирано лице: **Yasushi Fukaya, Директор – Makita Europe N.V.** (Наименование на типа, сериен номер (S/N), дата и подпис на последната страница)

HRVATSKI

Prilog A: EZ Izjava o sukladnosti

Mi kao proizvođači: **Makita Europe N.V.**, sa sjedištem u **Jan-Baptist Vinkstraat 2, 3070 Kortenberg, Belgija** ovlaštujemo **Yasushija Fukayu** za sastavljanje tehničke datoteke i izjavljujemo pod vlastitim isključivom odgovornošću da je proizvod(i); Oznaka: **Udarna bušilica**. Oznaka vrste(a): **HR1840, HR1841F**. Zadovoljava sve relevantne odredbe Direktive **2006/42/EC** i također zadovoljava sve relevantne odredbe sljedećih direktiva **EZ-a/EU-a: 2014/30/EU, 2011/65/EU** i proizvodi se u skladu sa sljedećim usklađenim normama: **EN 60745-1:2009+A11:2010, EN 60745-2-6:2010, EN 55014-1:2006+A1:2009+A2:2011, EN 55014-2:2015, EN 61000-3-2:2014, EN 61000-3-3:2013** i unutarnjim dokumentom tvrtke: **QSDA001-QC Postupak upravljanja tvrtke Makita u skladu s Direktivom o ograničenju uporabe određenih opasnih tvari u električnoj i elektroničkoj opremi (RoHS)**.

Mjesto davanja izjave: **Kortenberg, Belgija**. Odgovorna osoba: **Yasushi Fukaya, direktor – Makita Europe N.V.** (Oznaka tipa, serijski broj (S/N), datum i potpis na zadnjoj strani)

МАКЕДОНСКИ

Анекс А: Изјава за сообразност на ЕЗ

Ние, производителите: **Makita Europe N.V.**, со деловна адреса: **Jan-Baptist Vinkstraat 2, 3070 Kortenberg, Белгија**. Го овластуваме **Yasushi Fukaya** за составување на техничката датотека и изјавуваме под наша лична одговорност дека производот(-ите); Ознака: **Вртлива чекан-дупчалка**. Ознака на тип(-ови): **HR1840, HR1841F**. Ги исполнува сите релевантни одредби на **2006/42/ЕС** и исто така ги исполнува сите релевантни одредби на следните директиви на ЕЗ/ЕУ: **2014/30/EU, 2011/65/EU** и се произведени во согласност со следниве усогласени стандарди: **EN 60745-1:2009+A11:2010, EN 60745-2-6:2010, EN 55014-1-2:2006+A1:2009+A2:2011, EN 55014-2:2015, EN 61000-3-2:2014, EN 61000-3-3:2013** и внатрешниот документ: **Управна постапка за ограничување на опасни супстанции (RoHS) на Makita QSDA001-QC**.

Место на давање на изјавата: **Kortenberg, Белгија**. Одговорно лице: **Yasushi Fukaya, Директор – Makita Europe N.V.** (Ознака на тип, сериски број (S/N), датум и потпис на последната страница)

ROMÂNĂ

Анеха А: Declarație de conformitate CE

Noi, **Makita Europe N.V.**, cu sediul social în: **Jan-Baptist Vinkstraat 2, 3070 Kortenberg, Belgia**, în calitate de producători, îl împuternicim pe **Yasushi Fukaya** pentru redactarea fișierului tehnic și declaram pe proprie răspundere că produsul (produsele); Denumire: **Ciocan rotorcutor**. Denumirea modelului (modelelor): **HR1840, HR1841F**. Respectă toate prevederile relevante ale directivei **2006/42/EC**; de asemenea, respectă toate prevederile relevante ale următoarelor directive CE/UE: **2014/30/EU, 2011/65/EU** și este fabricat în conformitate cu următoarele standarde armonizate: **EN 60745-1:2009+A11:2010, EN 60745-2-6:2010, EN 55014-1-2:2006+A1:2009+A2:2011, EN 55014-2:2015, EN 61000-3-2:2014, EN 61000-3-3:2013** și cu documentul intern: **Procedura de management RoHS (limitarea utilizării substanțelor periculoase) Makita QSDA001-QC**.

Locul declarației: **Kortenberg, Belgia**. Persoana responsabilă: **Yasushi Fukaya, Director – Makita Europe N.V.** (Denumirea modelului, număr de serie (S/N), data și semnătura pe ultima pagină)

СРПСКИ

Додатак А: ЕЗ декларација о саглашености

Ми као произвођач: **Makita Europe N.V.**, пословна адреса: **Jan-Baptist Vinkstraat 2, 3070 Kortenberg, Белгија**, овлашћујемо **Yasushi Fukaya** да састави техничку документацију и под нашом искључивом одговорношћу изјави да следећи производ: ознака: **Ударна бушилица**, Ознака тип(ов)а: **HR1840, HR1841F**. Исполњава све одговарајуће одредбе директиве **2006/42/ЕС** и све релевантне одредбе следећих директива ЕЗ/ЕУ: **2014/30/EU, 2011/65/EU** и произведен је у складу са следећим хармонизованим стандардима: **EN 60745-1:2009+A11:2010, EN 60745-2-6:2010, EN 55014-1-2:2006+A1:2009+A2:2011, EN 55014-2:2015, EN 61000-3-2:2014, EN 61000-3-3:2013** и интерним документом: **QSDA001-QC Makita процедура за управљање ограничењем употребе одређених опасних супстанци (RoHS)**.

Место изјаве: **Kortenberg, Белгија**. Одговорна особа: **Yasushi Fukaya, директор – Makita Europe N.V.** (Ознака типа, серијски број (S/N), датум и потпис на последњој страници)

РУССКИЙ

Приложение А: Сертификат соответствия ЕС

Производители: **Makita Europe N.V.**, Рабочий адрес: **Jan-Baptist Vinkstraat 2, 3070 Kortenberg, Бельгия**. Уполномочиваем **Yasushi Fukaya** для составления файла технических данных и заявляем со всей нашей ответственностью, что изделие(я); Наименование: **Перфоратор**. Обозначение типа(ов): **HR1840, HR1841F**. Удовлетворяет всем соответствующим положениям **2006/42/ЕС**, а также удовлетворяет всем соответствующим положениям следующих Директив ЕС/ЕС: **2014/30/EU, 2011/65/EU** и производится согласно следующим гармонизированным стандартам: **EN 60745-1:2009+A11:2010, EN 60745-2-6:2010, EN 55014-1-2:2006+A1:2009+A2:2011, EN 55014-2:2015, EN 61000-3-2:2014, EN 61000-3-3:2013** и внутреннему документу: **Процедура управления ограничениями на использование опасных материалов Makita QSDA001-QC**.

Место декларирования: **Kortenberg, Бельгия**. Ответственное лицо: **Yasushi Fukaya, Директор – Makita Europe N.V.** (Обозначение типа, серийный номер (S/N), дата и подпись на последней странице)

УКРАЇНСЬКА

Додаток А: Декларація про відповідність стандартам ЄС

Ми, як виробник: **Makita Europe N.V.**, адреса компанії: **Jan-Baptist Vinkstraat 2, 3070 Kortenberg, Бельгія**. Надаємо **Yasushi Fukaya**, уповноваження складати технічну документацію і з повною відповідальністю заявляємо щодо виробу(ів) таке; Найменування: **Перфоратор**. Визначення типу(ів): **HR1840, HR1841F**. Відповідають усім відповідним положенням **2006/42/ЕС**, а також відповідають усім відповідним положенням таких директив ЄС/ЄС: **2014/30/EU, 2011/65/EU** та виготовлені згідно таких єдиних стандартів: **EN 60745-1:2009+A11:2010, EN 60745-2-6:2010, EN 55014-1-2:2006+A1:2009+A2:2011, EN 55014-2:2015, EN 61000-3-2:2014, EN 61000-3-3:2013** і такого внутрішнього документу: **Процедура керування обмеженням використання небезпечних речовин QSDA001-QC Makita**.

Місце декларування: **Kortenberg, Бельгія**. Відповідальна особа: **Yasushi Fukaya, директор – Makita Europe N.V.** (Визначення типу, серійний номер (S/N), дата і підпис на останній сторінці)

中文

附录A: EC一致性声明

我们作为制造商: **Makita Europe N.V.**, 营业地址: **Jan-Baptist Vinkstraat 2, 3070 Kortenberg, 比利时**. 授权 **Yasushi Fukaya** 编译技术文件, 并在我们单独负责之下声明产品; 名称: **电锤**. 类型名称: **HR1840, HR1841F**. 满足 **2006/42/EC** 的所有相关条款, 并且也满足以下 EC/EU 指示的所有相关条款: **2014/30/EU、2011/65/EU**, 并根据以下协调标准: **EN 60745-1:2009+A11:2010, EN 60745-2-6:2010, EN 55014-1-2:2006+A1:2009+A2:2011, EN 55014-2:2015, EN 61000-3-2:2014, EN 61000-3-3:2013** 和内部文档: **QSDA001-QC Makita RoHS 管理程序**而制造。

声明地点: **Kortenberg, 比利时**. 负责人: **Yasushi Fukaya, 总监 – Makita Europe N.V.** (最后一页上的类型指定、序列号 (S/N)、日期和签名)

Yasushi Fukaya

27.12.2016

885579-505

Makita Europe N.V.

Jan-Baptist Vinkstraat 2,
3070 Kortenberg, Belgium

IDE