



Original Instruction Manual
Instructions d'emploi d'origine
Originalbetriebsanleitung
Manuale di istruzioni originale
Originele gebruiksaanwijzing
Instrucciones de manejo originales
Instruções de serviço original
Original brugsanvisning
Πρωτότυπο εγχειρίδιο οδηγιών
Orijinal Kullanım Kılavuzu

Important:

Read this instruction manual carefully before putting the Petrol Brushcutter into operation and strictly observe the safety regulations!
Preserve instruction manual carefully!

Important :

Veillez lire attentivement ce mode d'emploi avant d'utiliser la débroussailleuse thermique et respectez strictement les consignes de sécurité !

Veillez à conserver ce manuel d'instructions !

Wichtig:

Lesen Sie vor Verwendung der Motorsense diese Betriebsanleitung aufmerksam durch und halten Sie die Sicherheitsbestimmungen strikt ein!
Bewahren Sie diese Betriebsanleitung sorgfältig auf!

Importante:

Leggere attentamente il presente manuale di istruzioni prima di mettere in funzione il decespugliatore a benzina e rispettare scrupolosamente le norme per la sicurezza.

Conservare con cura il manuale di istruzioni.

Belangrijk:

Lees deze gebruiksaanwijzing aandachtig door voordat u de benzinebosmaaier in gebruik neemt en houdt u te allen tijde aan de veiligheidsinstructies!

Bewaar deze gebruiksaanwijzing zorgvuldig!

Importante:

Lea atentamente este manual de instrucciones antes de utilizar la desbrozadora y cumpla estrictamente la normativa de seguridad.

Conserve el manual de instrucciones con cuidado.

Importante:

Leia cuidadosamente este manual de instruções antes de utilizar a Roçadeira a Gasolina e cumpra todas as normas de segurança!

Guarde este manual de instruções num local seguro!

Vigtigt:

Læs denne brugsanvisning omhyggeligt igennem inden du anvender den benzindrevne buskrydder og overhold sikkerhedsbestemmelserne til mindste detalje!

Gem denne brugsanvisning omhyggeligt!

Σημαντικό:

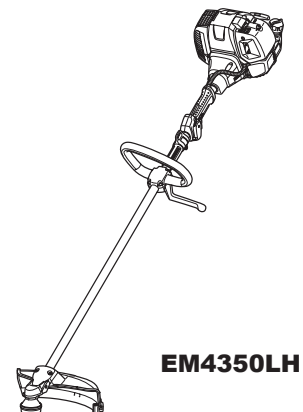
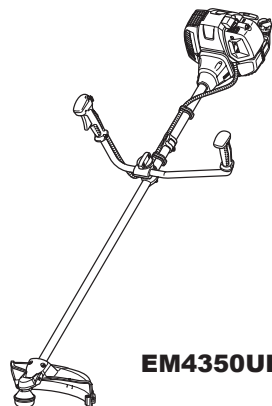
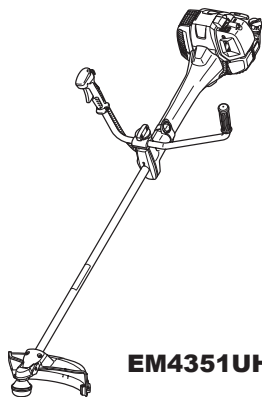
Πριν θέσετε σε λειτουργία τον Βενζινοκίνητο Θαμνοκοπτικό διαβάστε προσεκτικά το παρόν εγχειρίδιο οδηγιών και εφαρμόσετε αυστηρά τους κανονισμούς ασφαλείας.

Διατηρήστε με προσοχή το εγχειρίδιο οδηγιών!

Önemli:

Benzinli Yan Tırpanı kullanmaya başlamadan önce bu kullanım kılavuzunu dikkatli bir şekilde okuyun ve güvenlik talimatlarını harfiyen takip edin!

Kullanım kılavuzunu dikkatlice saklayın!



Thank you very much for purchasing the MAKITA Outdoor Power Equipment. We are pleased to recommend to you the MAKITA product which is the result of a long development program and many years of knowledge and experience. Please read this booklet which refers in detail to the various points that will demonstrate its outstanding performance. This will assist you to obtain the best possible result from your MAKITA product.



Table of Contents	Page
Symbols.....	2
Safety instructions.....	3
Technical data.....	7
Designation of parts.....	8
Mounting of handle.....	9
Mounting of protector.....	10
Mounting of metal blade or nylon cutting head.....	12
Before start of operation.....	13
Correct handling of machine.....	15
Points in operation and how to stop.....	16
Resharpener the cutting tool.....	18
Servicing instructions.....	22
Storage.....	25

SYMBOLS

You will note the following symbols when reading the instructions manual.

	Read instruction manual and follow the warnings and safety precautions!		Keep the area of operation clear of all persons and pets!
	Take Particular care and attention!		Wear protective helmet, eye and ear protection!
	Forbidden!		Top permissible tool speed
	Keep distance!		Fuel (Gasoline)
	Flying object hazard!		Engine-manual start
	Kickback!		Emergency stop
	No smoking!		First Aid
	No open flame!		ON/START
	Protective gloves must be worn!		OFF/STOP
	Wear sturdy boots with nonslip soles. Steeltoed safety boots are recommended!		THROTTLE LOCK POSITION

SAFETY INSTRUCTIONS

General Instructions

- Read this instruction manual to become familiar with handling of the equipment. Users insufficiently informed will risk danger to themselves as well as others due to improper handling.
- It is recommended only to lend the equipment to people who have proven to be experienced. Always hand over the instruction manual.
- First users should ask the dealer for basic instructions to familiarize oneself with the handling of brushcutters.
- Children and young persons aged under 18 years must not be allowed to operate this equipment. Persons over the age of 16 years may however use the device for the purpose of being trained while under supervision of a qualified trainer.
- Use with the utmost care and attention.
- Operate only if you are in good physical condition. Perform all work calmly and carefully. The user has to accept liability for others.
- Never use this equipment after consumption of alcohol or drugs, or if feeling tired or ill.
- National regulation can restrict the use of the machine.

Intended use of the machine

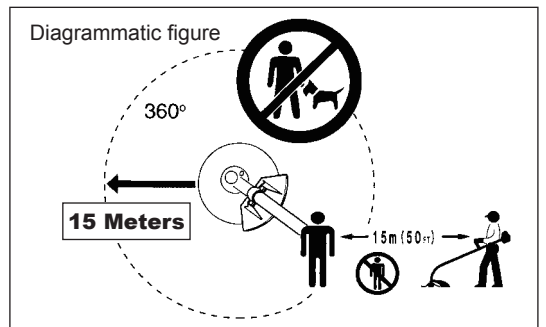
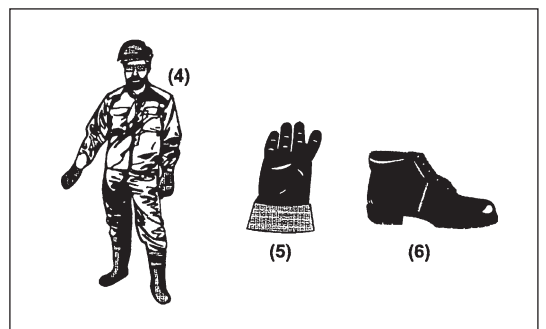
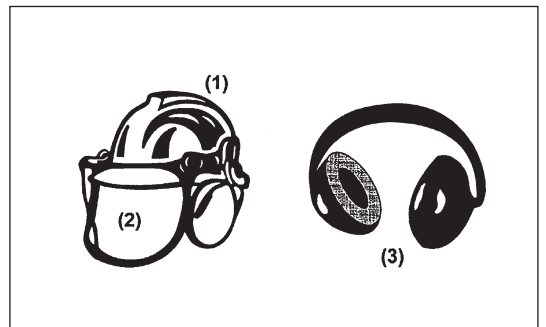
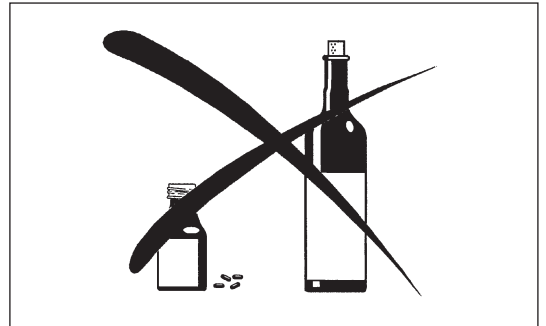
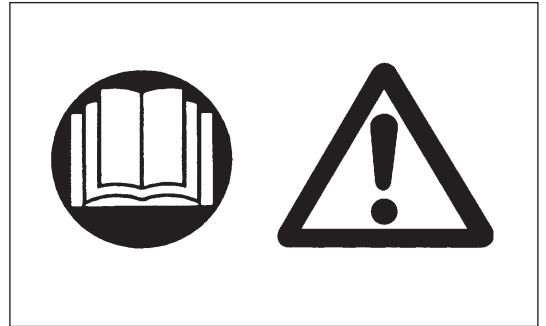
- This equipment is only intended for cutting grass, weeds, bushes, undergrowth. It should not be used for any other purpose such as edging or hedge cutting as this may cause injury.

Personal protective equipment

- The clothing worn should be functional and appropriate, i.e. it should be tight-fitting but not cause hindrance. Do not wear either jewelry or clothing which could become entangled with bushes or shrubs.
- In order to avoid either head-, eye-, hand- or foot injuries as well as to protect your hearing the following protective equipment and protective clothing must be used during operation.
- Always wear a helmet where there is a risk of falling objects. The protective helmet (1) is to be checked at regular intervals for damage and is to be replaced at the latest after 5 years. Use only approved protective helmets.
- The visor (2) of the helmet (or alternatively goggles) protects the face from flying debris and stones. During operation always wear goggles, or a visor to prevent eye injuries.
- Wear adequate noise protection equipment to avoid hearing impairment (ear muffs (3), ear plugs etc.).
- The work overalls (4) protect against flying stones and debris. We strongly recommend that the user wears work overalls.
- Gloves (5) are part of the prescribed equipment and must always be worn during operation.
- When using the equipment, always wear sturdy shoes (6) with a non-slip sole. This protects against injuries and ensures a good footing.

Starting up the brushcutter

- Please make sure that there are no children or other people within a working range of 15 meters (50 ft), also pay attention to any animals in the working vicinity.
- Before use always check the equipment is safe for operation: Check the security of the cutting tool, the throttle lever for easy action and check for proper functioning of the throttle lever lock.
- Rotation of the cutting tool during idling speed is not allowed. Check with your dealer for adjustment if in doubt. Check for clean and dry handles and test the function of the start/stop switch.

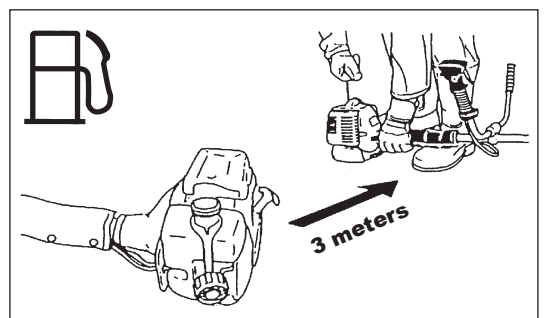
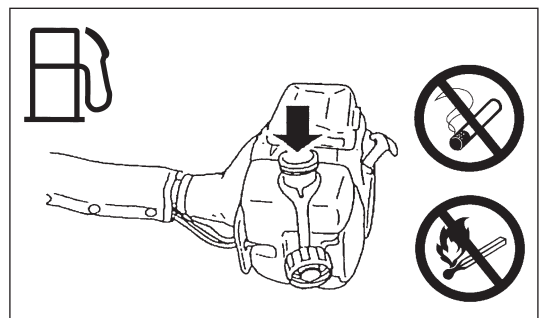
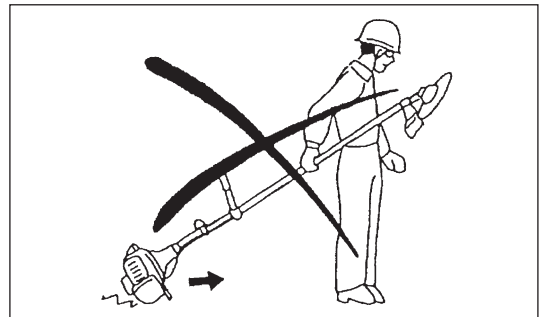
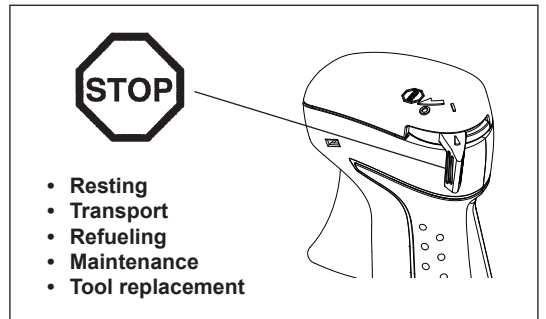
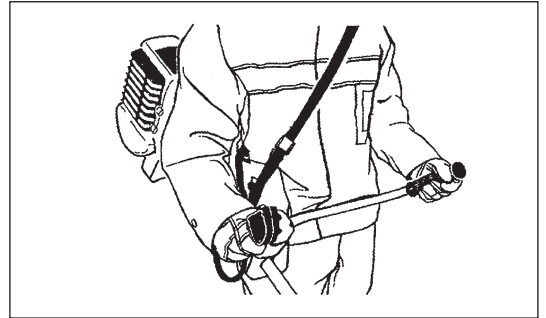
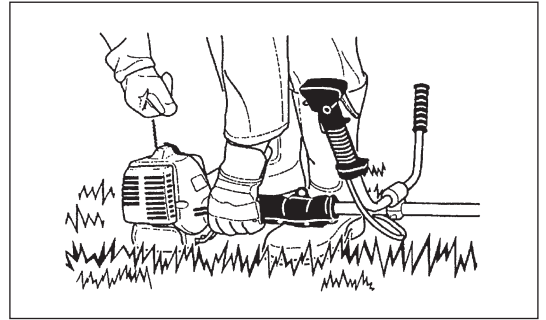


Start the brushcutter only in accordance with the instructions.

- Do not use any other methods for starting the engine!
- Use the brushcutter and the tools only for such applications as specified.
- Only start the engine, after the entire assembly is done. Operation of the device is only permitted after all the appropriate accessories are attached!
- Before starting make sure that the cutting tool has no contact with hard objects such as branches, stones etc. as the cutting tool will revolve when starting.
- The engine is to be switched off immediately in case of any engine problems.
- Should the cutting tool hit stones or other hard objects, immediately switch off the engine and inspect the cutting tool.
- Inspect the cutting tool at short regular intervals for damage (detection of hairline cracks by means of tapping-noise test).
- If the equipment gets heavy impact or fall, check the condition before continuing work. Check the fuel system for fuel leakage and the controls and safety devices for malfunction. If there is any damage or doubt, ask our authorized service center for the inspection and repair.
- Operate the equipment only with the shoulder harness attached which is to be suitably adjusted before putting the brushcutter into operation. It is essential to adjust the shoulder harness according to the user size to prevent fatigue occurring during use. Never hold the cutter with one hand during use.
- During operation always hold the brushcutter with both hands. Always ensure a safe footing.
- Operate the equipment in such a manner as to avoid inhalation of the exhaust gases. Never run the engine in enclosed rooms (risk of gas poisoning). Carbon monoxide is an odorless gas.
- Switch off the engine when resting and when leaving the equipment unattended, and place it in a safe location to prevent danger to others or damage to the machine.
- Never put the hot brushcutter onto dry grass or onto any combustible materials.
- Always install the approved cutting tool guard onto the equipment before starting the engine. Otherwise contact with the cutting tool may cause serious injury.
- All protective installations and guards supplied with the machine must be used during operation.
- Never operate the engine with faulty exhaust muffler.
- Shut off the engine during transport.
- When transporting the equipment, always attach the cover to the metal blade.
- Ensure safe position of the equipment during car transportation to avoid fuel leakage.
- When transporting, ensure that the fuel tank is completely empty.
- When unloading the equipment from the truck, never drop the Engine to the ground or this may severely damage the fuel tank.
- Except in case of emergency, never drop or cast the equipment to the ground or this may severely damage the equipment.
- Remember to lift the entire equipment from the ground when moving the equipment. Dragging the fuel tank is highly dangerous and will cause damage and leakage of fuel, possibly causing fire.

Refueling

- Shut off the engine during refueling, keep away from open flames and do not smoke.
- Avoid skin contact with mineral oil products. Do not inhale fuel vapor. Always wear protective gloves during refueling. Change and clean protective clothing at regular intervals.
- Take care not to spill either fuel or oil in order to prevent soil contamination (environmental protection). Clean the brushcutter immediately after fuel has been spilled.
- Avoid any fuel contact with your clothing. Change your clothing instantly if fuel has been spilled on it (to prevent clothing catching fire).
- Inspect the fuel cap at regular intervals making sure that it can be securely fastened and does not leak.
- Carefully tighten the fuel tank cap. Change location to start the engine (at least 3 meters away from the place of refueling).
- Never refuel in closed rooms. Fuel vapors accumulate at ground level (risk of explosions).
- Only transport and store fuel in approved containers. Make sure the fuel stored is not accessible to children.



Method of operation

- Only use in good light and visibility. During the winter season beware of slippery or wet areas, ice and snow (risk of slipping). Always ensure a safe footing.
- Never cut above waist height.
- Never stand on a ladder.
- Never climb up into trees to perform cutting operation.
- Never work on unstable surfaces.
- Remove sand, stones, nails etc. found within the working range. Foreign particles may damage the cutting tool and can cause dangerous kick-backs.
- Before commencing cutting, the cutting tool must have reached full working speed.
- When using metal blades, swing the tool evenly in half-circle from right to left, like using a scythe.
If grass or branches get caught between the cutting tool and guard, always stop the engine before cleaning. Otherwise unintentional blade rotation may cause serious injury.
- Take a rest to prevent loss of control caused by fatigue. We recommend to take a 10 to 20-minute rest every hour.

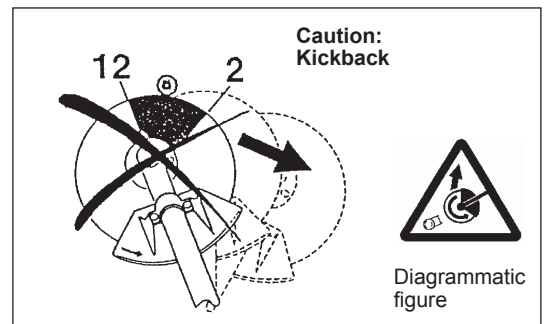


Cutting Tools

- Use an applicable cutting tool for the job in hand.
Nylon cutting heads (string trimmer heads) are suitable for trimming lawn grass.
Metal blades are suitable for cutting weeds, high grasses, bushes, shrubs, underwood, thicket, and the like.
Never use other blades including metal multi-piece pivoting chains and flail blades. Otherwise serious injury may result.
- When using metal blades, avoid “kickback” and always prepare for an accidental kickback. See the section “Kickback” and “Kickback prevention.”

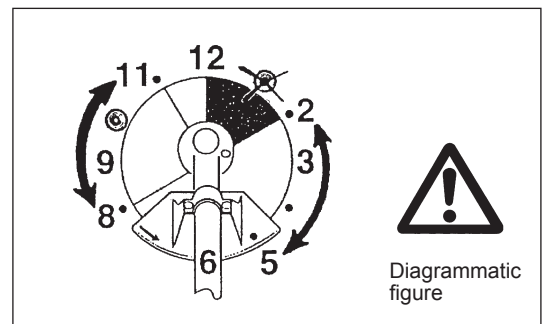
Kickback (blade thrust)

- Kickback (blade thrust) is a sudden reaction to a caught or bound metal blade. Once it occurs, the equipment is thrown sideways or toward the operator at great force and it may cause serious injury.
- Kickback occurs particularly when applying the blade segment between 12 and 2 o'clock to solids, bushes and trees with 3 cm or larger diameter.
- To avoid kickback:
 - Apply the segment between 8 and 11 o'clock;
 - Never apply the segment between 12 and 2 o'clock;
 - Never apply the segment between 11 and 12 o'clock and between 2 and 5 o'clock, unless the operator is well trained and experienced and does it at his/her own risk;
 - Never use metal blades close to solids, such as fences, walls, tree trunks and stones;
 - Never use metal blades vertically, for such operations as edging and trimming hedges.



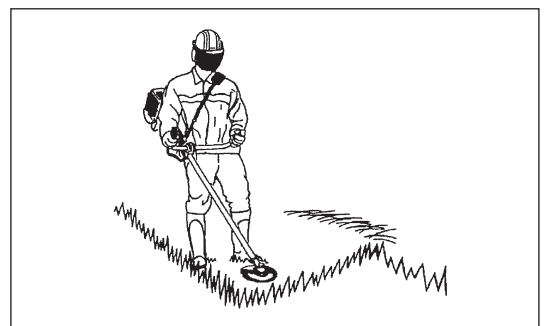
Vibration

- People with poor circulation who are exposed to excessive vibration may experience injury to blood vessels or the nervous system. Vibration may cause the following symptoms to occur in the fingers, hands or wrists: “Falling asleep” (numbness), tingling, pain, stabbing sensation, alteration of skin color or of the skin. If any of these symptoms occur, see a physician!
- To reduce the risk of “white finger disease”, keep your hands warm during operation and well maintain the equipment and accessories.



Maintenance instructions

- Have your equipment serviced by our authorized service center, always using only genuine replacement parts. Incorrect repair and poor maintenance can shorten the life of the equipment and increase the risk of accidents.
- The condition of the cutter, in particular of the cutting tool of the protective devices and also of the shoulder harness must be checked before commencing work. Particular attention is to be paid to the metal blades which must be correctly sharpened.
- Turn off the engine and remove spark plug connector when replacing or sharpening cutting tools, and also when cleaning the cutter or cutting tool.



Never straighten or weld damaged cutting tools.

- Pay attention to the environment. Avoid unnecessary throttle operation for less pollution and noise emissions. Adjust the carburetor correctly.
- Clean the equipment at regular intervals and check that all screws and nuts are well tightened.
- Never service or store the equipment in the vicinity of naked flames.
- Always store the equipment in locked rooms and with an emptied fuel tank.
- When cleaning, servicing and storing the equipment, always attach the cover to the metal blade.



Observe the relevant accident prevention instructions issued by the relevant trade associations and by the insurance companies.
Do not perform any modifications to the equipment as this will endanger your safety.

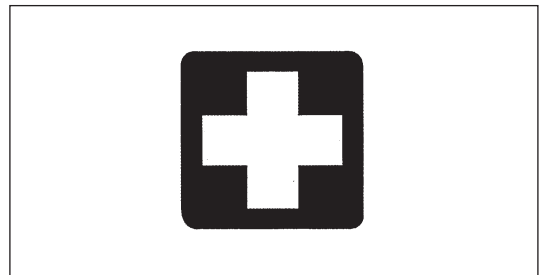
The performance of maintenance or repair work by the user is limited to those activities as described in the instruction manual. All other work is to be done by an Authorized Service Agent. Use only genuine spare parts and accessories released and supplied by MAKITA.
Use of non-approved accessories and tools means increased risk of accidents.
MAKITA will not accept any liability for accidents or damage caused by the use of non-approved cutting tools and fixing devices of cutting tools, or accessories.

First Aid

In case of accident make sure that a first-aid box is available in the vicinity of the cutting operations. Immediately replace any item taken from the first aid box.

When asking for help, please give the following information:

- Place of accident
- What happened
- Number of injured persons
- Kind of injuries
- Your name



For European countries only

EC Declaration of Conformity

We Makita Corporation as the responsible manufacturer declare that the following Makita machine(s):

Designation of Machine: Petrol Brushcutter
Model No./ Type: EM4351UH, EM4350UH, EM4350LH
Specifications: see "TECHNICAL DATA" table

are of series production and

Conforms to the following European Directives:

2000/14/EC, 2006/42/EC

And are manufactured in accordance with the following standards or standardized documents:

EN ISO 11806-1

The technical documentation is kept by our authorized representative in Europe who is:

Makita International Europe Ltd.,
Michigan Drive, Tongwell, Milton Keynes, Bucks MK15 8JD, England

The conformity assessment procedure required by Directive 2000/14/EC was in Accordance with annex V.

EM4351UH:

Measured Sound Power Level: 111.9 dB

Guaranteed Sound Power Level: 113 dB

EM4350UH:

Measured Sound Power Level: 112.1 dB

Guaranteed Sound Power Level: 113 dB

EM4350LH:

Measured Sound Power Level: 110.7 dB

Guaranteed Sound Power Level: 112 dB

8. 9. 2011



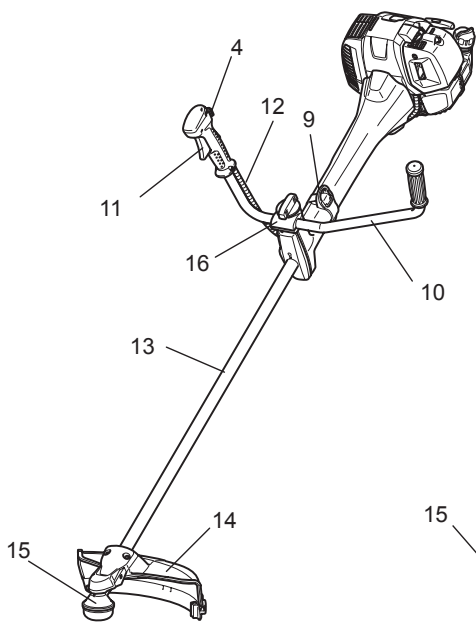
Tomoyasu Kato
Director
Makita Corporation
3-11-8, Sumiyoshi-cho,
Anjo, Aichi, JAPAN

TECHNICAL DATA EM4351UH, EM4350UH, EM4350LH

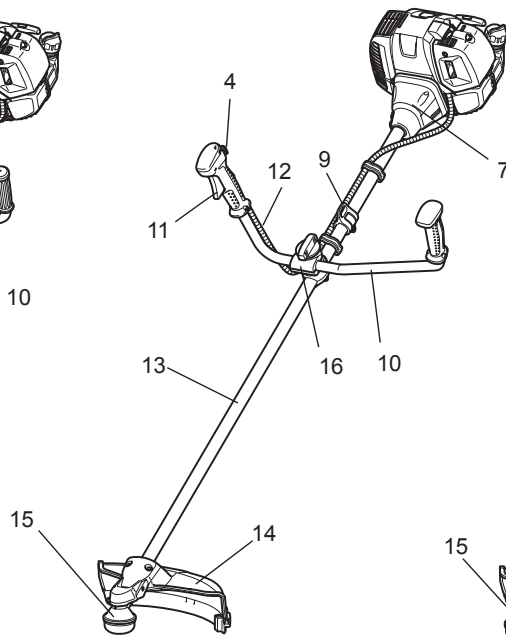
Model			EM4351UH	EM4350UH	EM4350LH				
Handle type			Bike handle		Bike handle		Loop handle		
Dimensions: length x width x height (without cutting tool)		mm	1,812 x 618 x 528		1,812 x 635 x 460		1,812 x 339 x 250		
Mass (without plastic guard and cutting tool)		kg	8.6		8.3		7.9		
Volume (fuel tank)		L	0.6						
Volume (oil tank)		L	0.1						
Engine displacement		cm ³	43.0						
Maximum engine performance		kW	1.5 at 7,500 min ⁻¹						
Engine speed at recommended max. spindle speed		min ⁻¹	10,500						
Maximum spindle speed (corresponding)		min ⁻¹	7,200						
Idling speed		min ⁻¹	3,000						
Clutch engagement speed		min ⁻¹	4,000						
Carburetor			Diaphragm type						
Ignition system			Non-contact, magnet type						
Spark plug		type	NGK CMR6A						
Electrode gap		mm	0.7 - 0.8						
			CUTTER BLADE	NYLON CUTTING HEAD	CUTTER BLADE	NYLON CUTTING HEAD	CUTTER BLADE	NYLON CUTTING HEAD	
Vibration per ISO 22867	Right handle (Rear grip)	$a_{hv\ eq}$	m/s ²	2.2	2.1	3.1	3.5	4.2	2.6
		Uncertainty K		m/s ²	0.5	0.6	0.5	0.8	1.1
	Left handle (Front grip)	$a_{hv\ eq}$	m/s ²	1.7	2.0	4.8	4.0	3.8	3.7
		Uncertainty K		m/s ²	0.5	0.5	2.9	0.9	1.0
Sound pressure level average to ISO 22868		$L_{PA\ eq}$	dBA	92.4	96.2	91.2	96.1	92.8	94.9
		Uncertainty K		dBA	1.8	2.0	2.2	1.6	1.6
Sound power level average to ISO 22868		$L_{WA\ eq}$	dBA	101.8	108.9	103.1	109.1	103.4	107.7
		Uncertainty K		dBA	1.8	1.4	1.1	1.1	1.5
Fuel			Automobile gasoline (petrol)						
Engine Oil			API grade SF class or higher, SAE 10W-30 oil (automobile 4-stroke engine oil)						
Cutting tools (cutter blade dia.)		mm	305 (with three blades)						
Gear ratio			13/19						

DESIGNATION OF PARTS

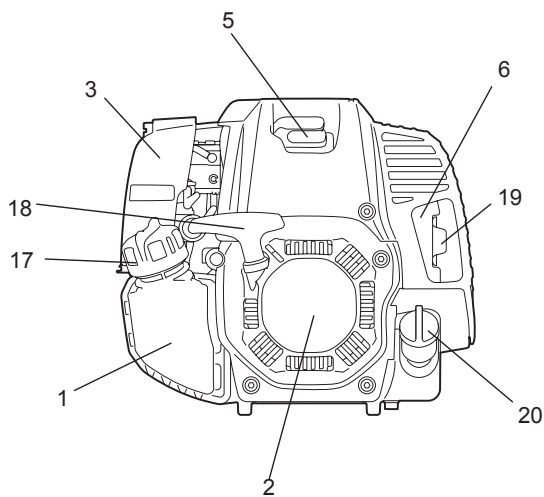
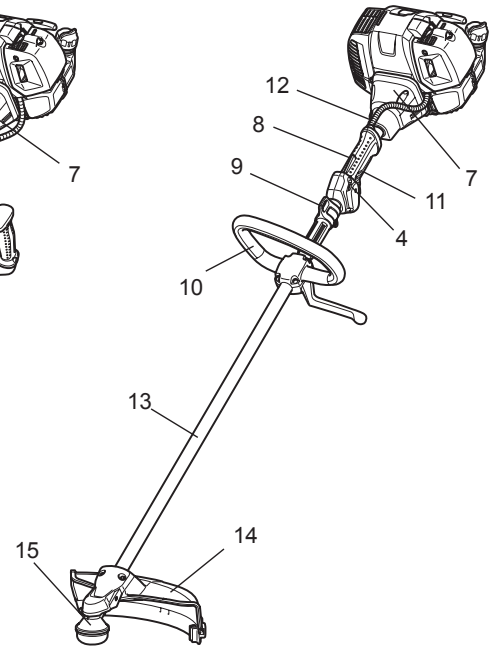
EM4351UH



EM4350UH



EM4350LH



GB	DESIGNATION OF PARTS
1	Fuel tank
2	Recoil starter
3	Air cleaner
4	I-O and throttle lock switch (on/off)
5	Spark plug
6	Exhaust muffler
7	Clutch case
8	Rear grip
9	Hanger
10	Handle
11	Throttle lever
12	Control cable
13	Shaft
14	Protector (Cutting tool guard)
15	Gear Case/Head case
16	Handle holder
17	Fuel tank cap
18	Starter knob
19	Exhaust pipe
20	Oil cap

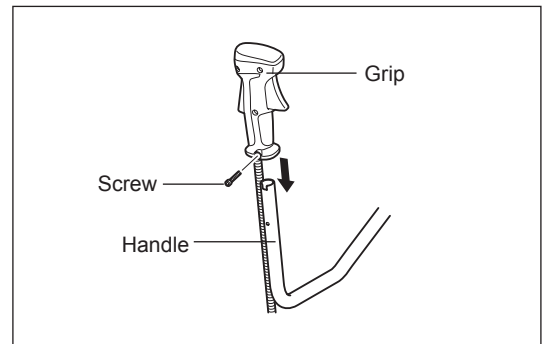
MOUNTING OF HANDLE

CAUTION: Before doing any work on the equipment, always stop the engine and pull the spark plug connector off the spark plug.
Always wear protective gloves!

CAUTION: Start the engine only after having assembled it completely.

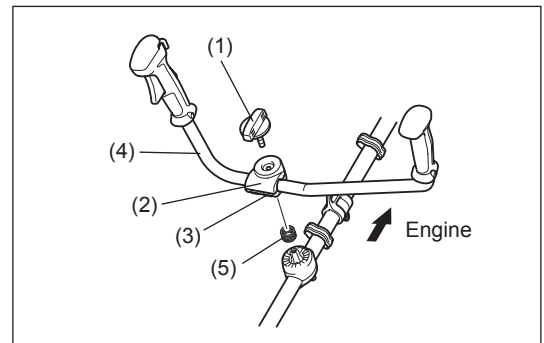
For model EM4351UH, EM4350UH

Insert the shaft of the handle into the grip as shown.
Align the screw hole in the grip with the one in the shaft.
Tighten the screw securely.



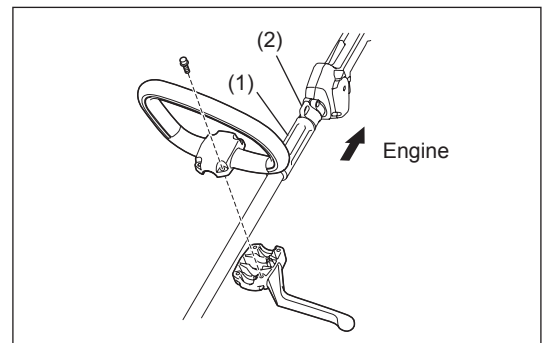
- Loosen knob (1).
- Place handle (4) between handle clamp (2) and handle holder (3).
- Adjust handle (4) to an angle that provides a comfortable working position and then secure by firmly hand-tightening knob (1).

CAUTION: Do not forget to mount spring (5).



For model EM4350LH

- Fix the loop handle on the shaft with four screws.
- To keep a proper distance between the grips, place the spacer (1) between the loop handle and the hanger (2).



MOUNTING OF PROTECTOR

To meet the applicable safety provisions, only the tool/protector combinations as indicated in the table must be used.



Be sure to use genuine MAKITA metal blades (including saw blade and cutter blade) or nylon cutting head.

- The metal blade must be well polished, free of cracks or breakage. If the metal blade hits against a stone during operation, stop the engine and check the blade immediately.
- Polish or replace the metal blade every three hours of operation.
- If the nylon cutting head hits against a stone during operation, stop the engine and check the nylon cutting head immediately.

CAUTION: The appropriate protector must always be installed, for your own safety and in order to comply with accident prevention regulations. Operation of the equipment without the guard being in place is not permitted.

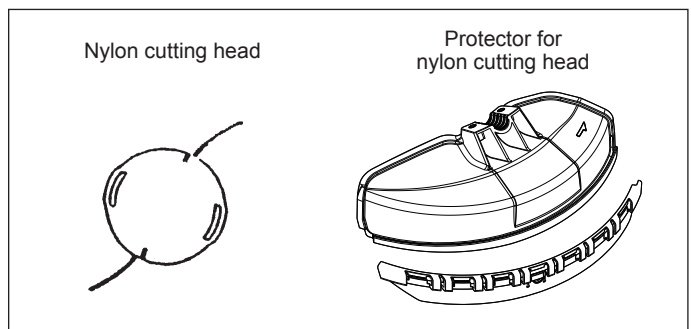
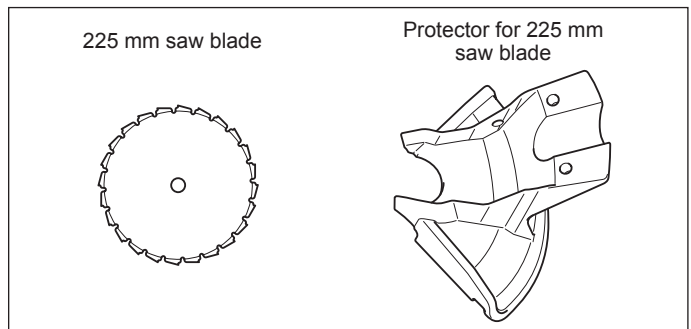
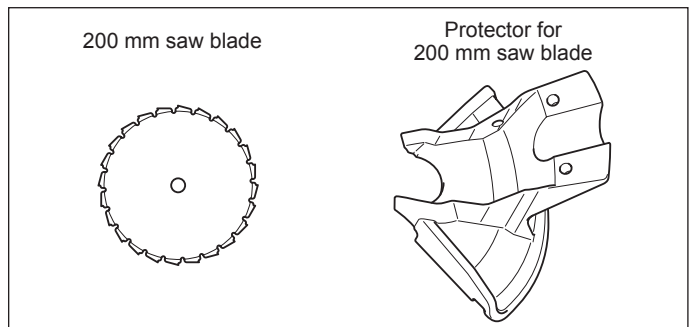
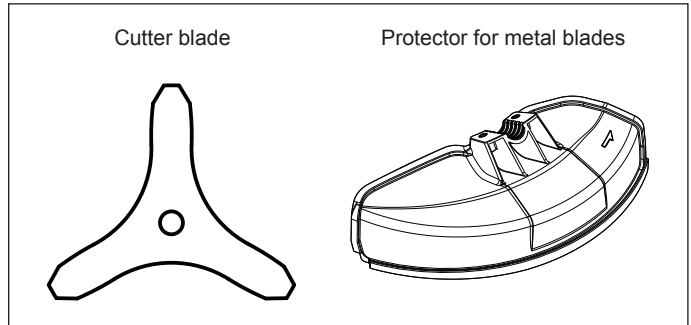
The outside diameter of the cutter blade must be 300 mm (12") or smaller. Never use any blades exceeding 300 mm (12") in outside diameter.

Use 200 mm saw-blade protector only when using 200 mm saw-blade.

Use 225 mm saw-blade protector only when using 225 mm saw-blade.

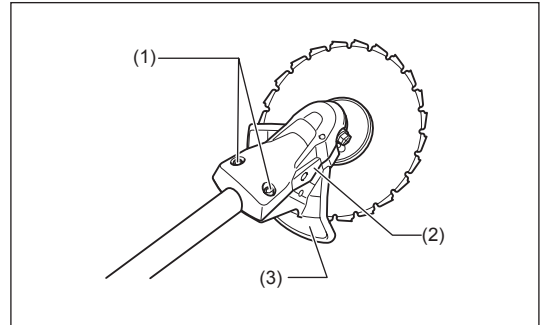
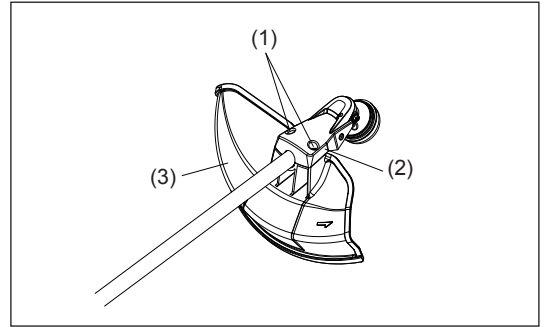
Do not apply other combination when using saw-blade.

NOTE: The standard combination of cutting tool differs from country to country.



- In use of the metal blade, fix the protector (3) to the clamp (2) with two bolts (1).

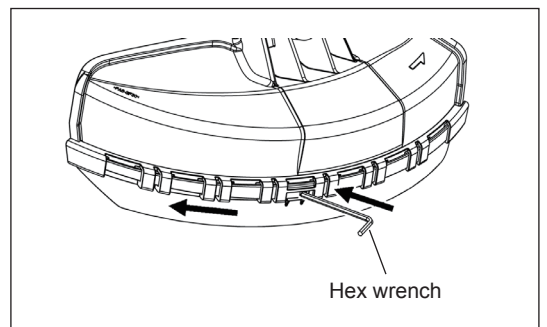
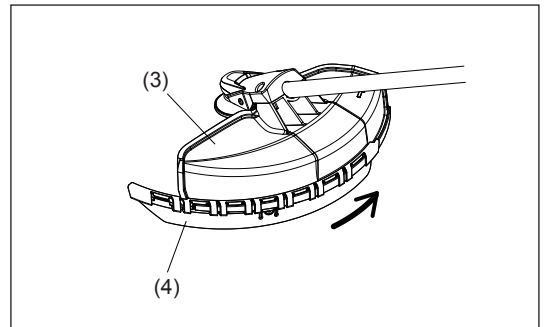
NOTE: Tighten the right and left bolts evenly so that the gap between the clamp (2) and the protector (3) will be constant. Otherwise, the protector sometimes may not function as specified.



- In cases where the nylon cord cutter is to be used, be sure to mount the nylon cord cutter protector (4) onto the metal blade protector (3).
- Mount the nylon cord cutter protector (4) by sliding it into place from the flank of the metal blade protector (3) as shown.
- Remove tape adhered to cutter, which cuts nylon cord, on nylon cord cutter protector (4).

CAUTION: Be sure to push in nylon cord cutter protector (4) until it is fully inserted. Take care not to injure yourself on the cutter for cutting the nylon cord.

- To remove the nylon cord cutter protector (4), apply a hex wrench into the notch on the metal blade protector (3), push it in and meanwhile slide the nylon cord cutter protector (4).



MOUNTING OF METAL BLADE OR NYLON CUTTING HEAD

Be sure to use genuine MAKITA metal blades or nylon cutting head.

- The metal blade must be well polished, free of cracks or breakage. If the metal blade hits against a stone during operation, stop the engine and check the blade immediately.
- Polish or replace the metal blade every three hours of operation.
- If the nylon cutting head hits against a stone during operation, stop the engine and check the nylon cutting head immediately.

CAUTION: The appropriate protector must always be installed, for your own safety and in order to comply with accident-prevention regulations. Operation of the equipment without the guard being in place is not permitted.
The outside diameter of the cutter blade must be 300 mm (12") or less. Never use any blades exceeding 300 mm (12") in outside diameter.

Turn the machine upside down, and you can replace the metal blade or nylon cutting head easily.

- Insert the hex wrench through the hole in the gear case and rotate the receiver washer (4) until it is locked with the hex wrench.
- Loosen the nut (1) (left-hand thread) with the socket wrench and remove the nut (1), cup (2), and clamp washer (3).

Mounting of metal blade with the hex wrench still in place

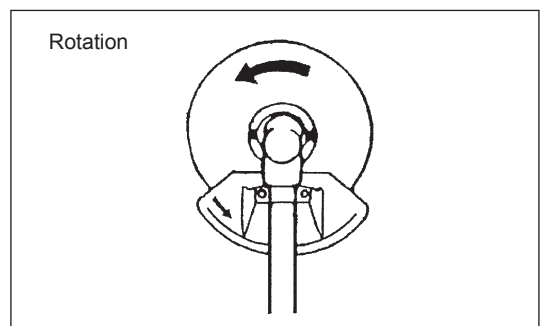
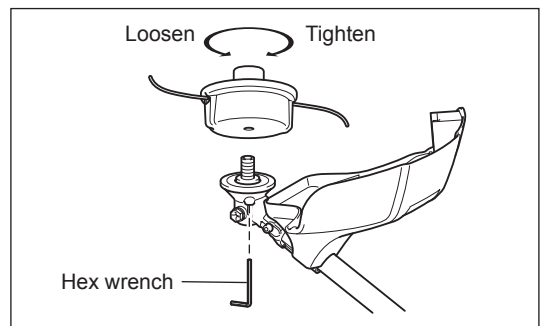
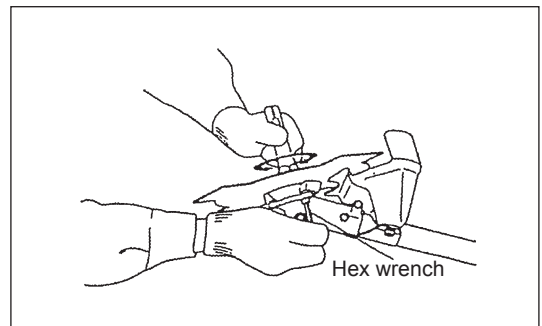
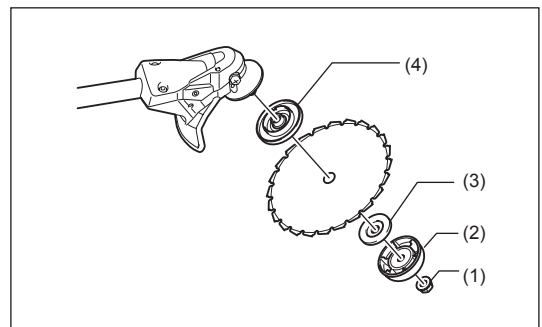
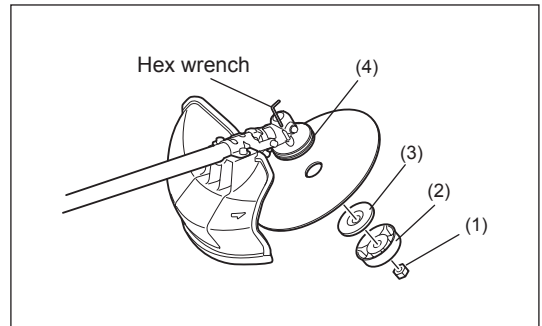
- Mount the metal blade onto the shaft so that the guide of the receiver washer (4) fits in the arbor hole in the metal blade. Install the clamp washer (3), cup (2), and secure the metal blade with the nut (1).
[Tightening torque: 20 - 30 N-m]

NOTE: Always wear gloves when handling the metal blade.

NOTE: The metal blade-fastening nut (with spring washer) is a consumable part. If there appears any wear or deformation on the spring washer, replace the nut.

Mounting of nylon cutting head

- The clamp washer (3), cup (2), and nut (1) are not necessary for mounting the nylon cutting head. The nylon cutting head should go on top of the receiver washer (4).
- Insert the hex wrench through the hole in the gear case and rotate the receiver washer (4) until it is locked with the hex wrench.
- Then screw the nylon cutting head onto the shaft by turning it counter-clockwise.
- Remove the hex wrench.



BEFORE START OF OPERATION

Inspection and refill of engine oil

- Perform the following procedure, with the engine cooled down.
- Assure that the engine is on a flat horizontal surface and confirm if the oil level is between the lower or upper limit of the oil indicator.
- If the oil level is below the lower limit, remove the oil cap and add oil.
- The area surrounding the external marks is transparent, so the amount of oil inside can be checked without having to remove the oil cap. However, if oil pipe becomes extremely dirty, visibility may be lost, and oil level will have to be checked against stepped section on inside of oil pipe.
- You may need to refill oil approximately every 10 operating hours (every 10 refuelings).
If the oil changes in color or mixes with dirt, replace it with new one. (For the interval and method of replacement, refer to P 22.)

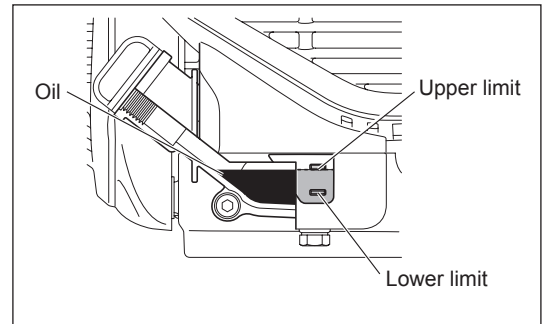
Recommended oil: SAE 10W-30 oil of API Classification, Class SF or higher (4-stroke engine for automobile)

Oil volume: Approx. 0.10L

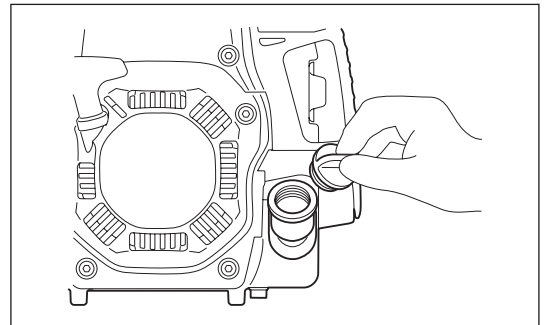
NOTE: If the engine is not positioned as illustrated on a horizontal surface, an inaccurate indication of oil level may occur and oil may be overfilled. Filling oil above the upper limit may cause oil contamination and/or white smoke.

Replacement of oil: “Oil cap”

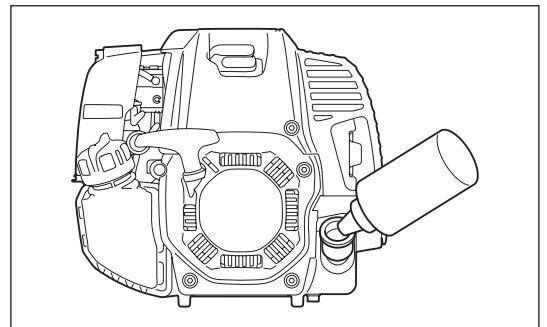
- Remove dust or dirt near the oil refill port, and detach the oil cap.
- Keep the detached oil cap free of sand or dust. Otherwise, any sand or dust adhering to the oil cap may cause irregular oil circulation or wear on the engine parts, which will result in troubles.



- (1) Keep the engine level, and detach the oil cap.



- (2) Fill with oil to upper limit mark.
Use oil bottle when filling.



- (3) Securely tighten the oil cap. Insufficient tightening may cause oil leakage.

Note

- Do not replace oil with the engine in a tilted position.
- Filling with oil while engine is tilted leads to overfilling which causes oil contamination and/or white smoke.

After refilling oil

- Wipe with a rag any spilled oil immediately.

REFUELING

Handling of fuel

It is necessary to handle fuel with utmost care. Fuel may contain substances similar to solvents. Refueling must be performed in a sufficiently ventilated room or in the open air. Never inhale fuel vapor, and keep fuel away from you. If you touch fuel repeatedly or for a long time, the skin becomes dry, which may cause skin disease or allergy. If fuel enters into the eye, clean the eye with fresh water. If your eye remains still irritated, consult your doctor.

Storage period of fuel

Fuel should be used within a period of 4 weeks, even if it is kept in a special container in a well-ventilated and shaded area. Otherwise, fuel may deteriorate in one day.

STORAGE OF MACHINE AND REFILL TANK

- Keep the machine and tank at a cool place free from direct sunshine.
- Never keep the fuel in a car.

Fuel

The engine is a four-stroke engine. Be sure to use an unleaded automobile gasoline 87 or higher octane ((R+M)/2). It may contain no more than 10% alcohol (E-10).

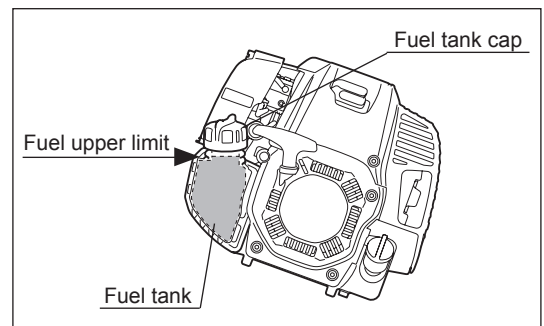
Points for fuel

- Never use a gasoline mixture which contains engine oil. Otherwise, it will cause excessive carbon accumulation or mechanical troubles.
- Use of deteriorated oil will cause irregular start-up.

Refueling

WARNING: Shut off the engine before refueling, keep away from open flames and do not smoke.

- Loosen the tank cap a little to release the tank pressure.
 - Detach the tank cap, and refuel, discharging air by tilting the fuel tank so that the refuel port will be oriented upward. DO NOT fill fuel up to the top of the tank.
 - Wipe the outside of the tank cap to prevent debris from entering into the fuel tank.
 - After refueling, securely tighten the tank cap.
- If there is any flaw or damage on the tank cap, replace it.
 - The tank cap wears out in course of time. Replace it every two to three years.
 - DO NOT put fuel in the oil fill port.



CORRECT HANDLING OF MACHINE

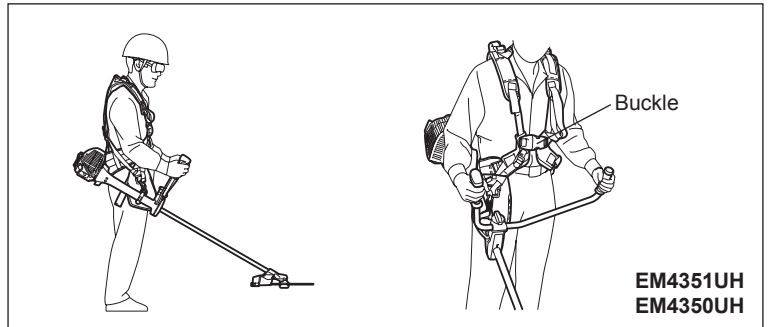
Attachment of shoulder harness

- Adjust the strap length so that the metal blade will be kept parallel with the ground.

For EM4351UH, EM4350UH

Hold the harness on your back, attach it with the buckle, and adjust the length of the bands.

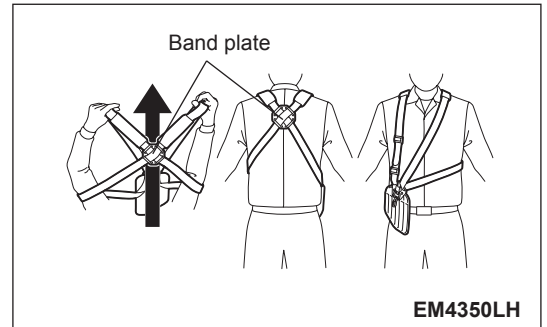
NOTE: Be careful not to trap clothing, etc., in the buckle.



EM4351UH
EM4350UH

For EM4350LH

- 1) Stand as the band plate closer to you. And let your arms and head pass through the band.
- 2) The band plate sits on your back and the adjusters and hook comes on the right side of your body when you appropriately equip the harness.



EM4350LH

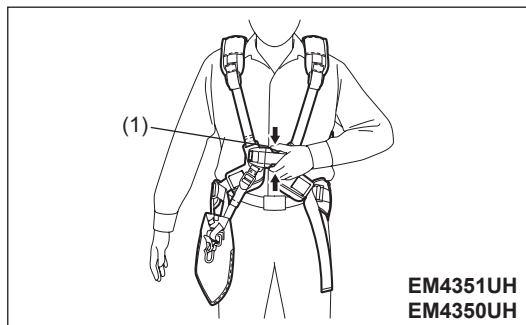
Releasing the machine

For EM4351UH, EM4350UH

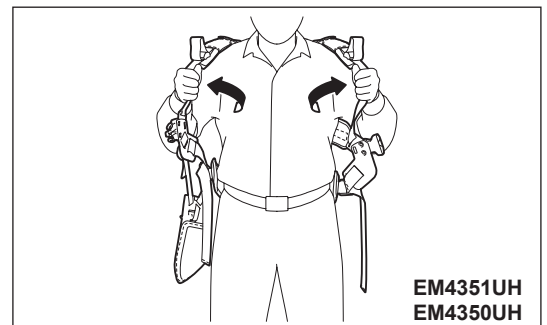
- To release the machine, squeeze the sides of the buckle (1) and take off the shoulder harness.

Be extremely careful to maintain control of the machine at this time. Do not allow the machine to be deflected toward you or anyone in the work vicinity.

WARNING: Failure to maintain complete control of the machine at all could result in serious bodily injury or DEATH.



EM4351UH
EM4350UH



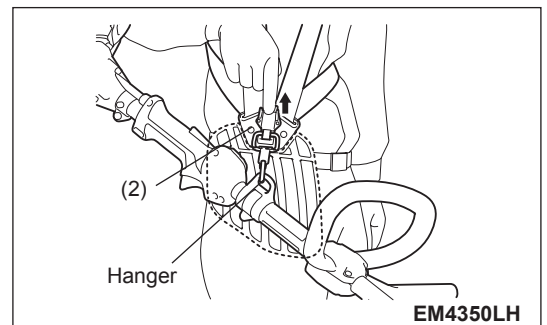
EM4351UH
EM4350UH

For EM4350LH

- To release the machine, release the emergency detachment lever (2) by pulling strongly with fingers.

Be extremely careful to maintain control of the machine at this time. Do not allow the machine to be deflected toward you or anyone in the work vicinity.

WARNING: Failure to maintain complete control of the machine at all could result in serious bodily injury or DEATH.



EM4350LH

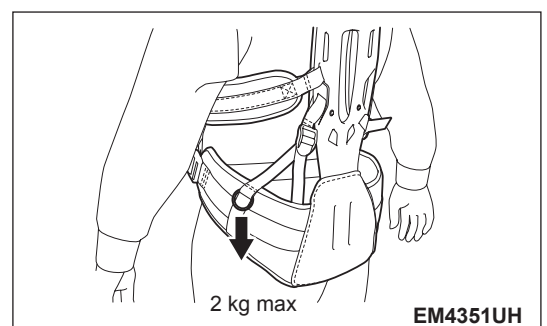
Hanging ring

For EM4351UH

- You can use the ring for hanging something weighing less than 2 kg (4.4 lbs).

NOTICE: Do not hang anything weighing more than 2 kg(4.4 lbs) on the ring. Anything heavier on the ring can cause it to fail and the item to be damaged.

CAUTION: Do not hang anything on the ring that can become entangled with bushes or shrubs. Entanglement can cause loss of balance and control resulting in personal injury.



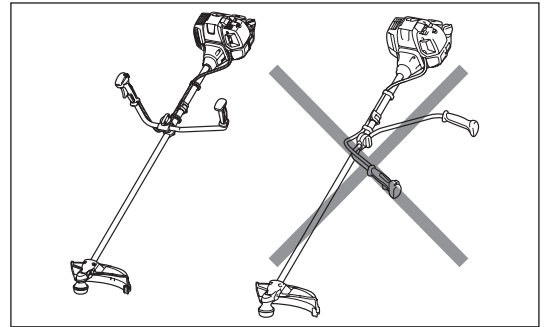
EM4351UH

POINTS IN OPERATION AND HOW TO STOP

Observe the applicable accident prevention regulations!



Before starting the engine, always set the handle in the proper position. Otherwise the cutting tool may turn suddenly and cause injury, because the throttle cable may be pulled or bent, and open the throttle.

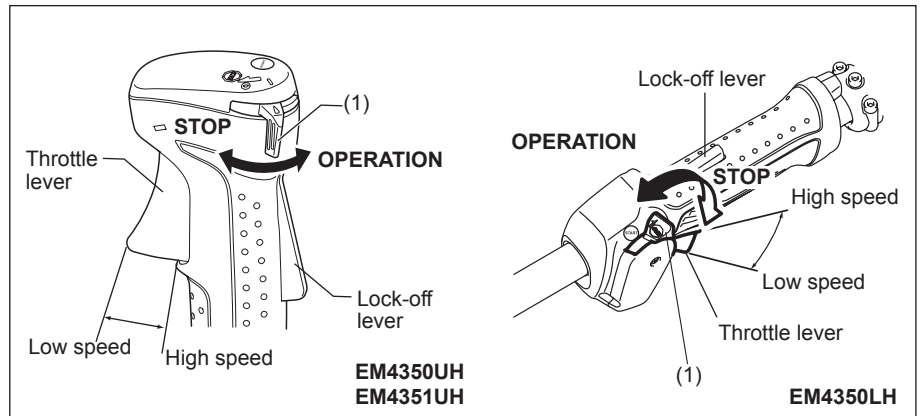


STARTING

Move at least 3 m away from the place of refueling. Place the unit on the ground taking care that the cutting tool does not come into contact with the ground or any other objects.

A: Cold start

- 1) Set this machine on a flat space.
- 2) Set the I-O switch (1) to OPERATION.

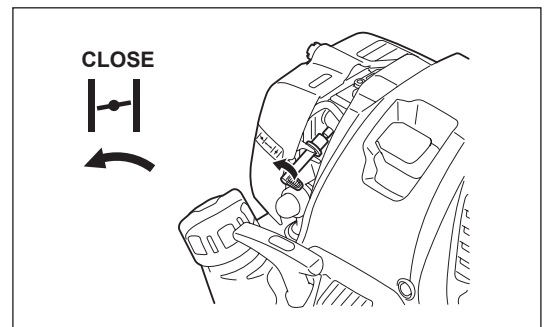


- 3) Choke lever

Close the choke lever.

Choke opening:

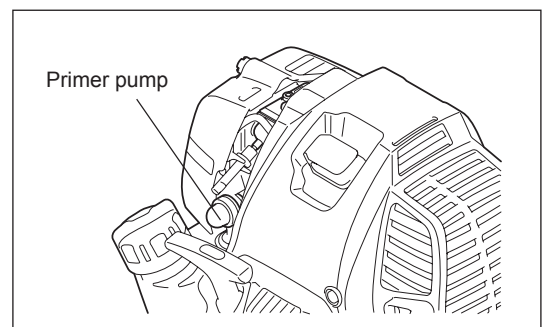
- Full closing in cold or when the engine is cold.
- Full or half opening if the engine is a bit warm, such as restarting engine just after stopping during warm-up operation.



- 4) Primer pump

Continue to push the primer pump until fuel comes into the primer pump. (In general, 7 to 10 pushes.)

If the primer pump is pushed excessively, an excess of gasoline returns to the fuel tank.

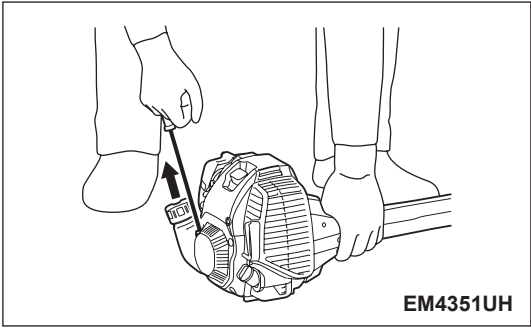
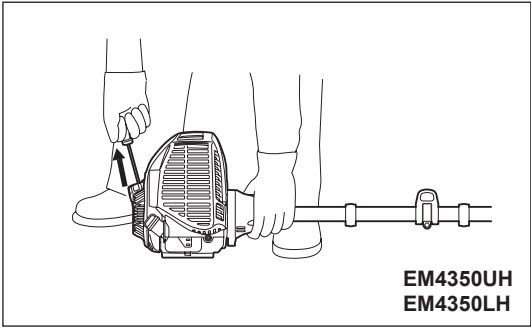


5) Recoil starter

Make sure you have a firm footing.
Hold the unit with your left hand and press it down firmly.

CAUTION: Do not stand or kneel on the throttle cable. The internal wire may be pulled and the cutting tool may start rotating unintentionally.
Do not open the throttle.

Pull the starter knob gently until a certain resistance is felt. Then, return the starter knob, and pull it strongly.
Never pull the rope to the full extension. Once the starter knob is pulled, never release your hand immediately. Hold the starter knob until it returns to its original point.



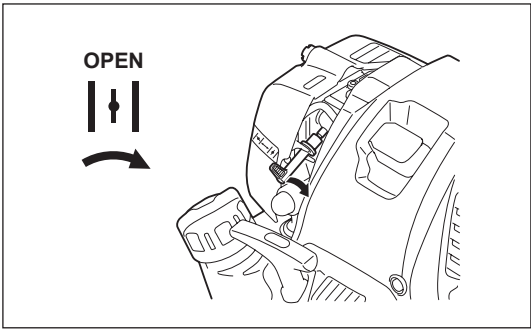
6) Choke lever

Once engine starts, set choke lever to the OPEN position.
- Open the choke lever gradually while checking the engine operation. Be sure to open the choke lever to the full in the end.
- In cold or when the engine is cooled down, never open the choke lever suddenly. Otherwise the engine may stop.

7) Warm-up operation

Continue warm-up operation for 2 to 3 minutes.

NOTICE: Do not pull the throttle lever unnecessarily while the engine is not running. It may cause fuel leak from the air cleaner. If it happens, wipe leaked fuel off. Also, open the air cleaner cover and clean the element and the air cleaner plate.



NOTE:

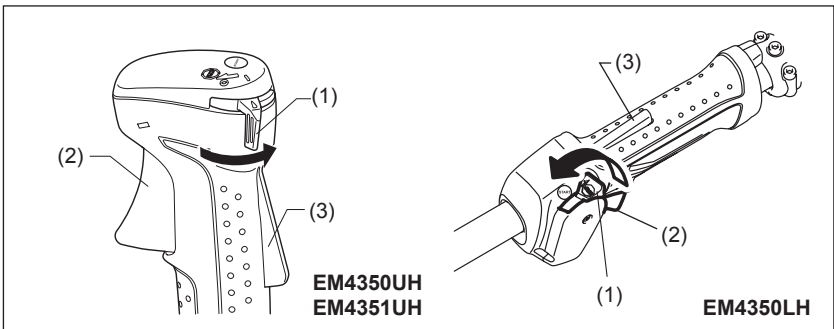
- Do not pull the throttle lever unnecessarily when the engine is not running. It may cause flooding of fuel in the engine, and may cause the engine difficult to start up.
- In case of flooding of the fuel, remove the spark plug and pull the starter handle slowly to remove excess fuel. Also, dry the electrode section of the spark plug.
- If the engine fires and stops, or stops soon after starting, return the choke lever to the OPEN position, and pull the starter knob a few times again to start the engine.
- If the choke lever is left in the CLOSE position, and the starter knob merely pulled repeatedly, too much fuel will be sucked in, and the engine will become difficult to start.
- Do not race the engine in warm-up operation unnecessarily.

B: Warm start

- 1) Keep the choke lever full open.
- 2) Push the primer pump repeatedly.
- 3) Keep the throttle lever at the idling position.
- 4) Pull the recoil starter strongly.
- 5) If it is difficult to start the engine, release the lock-off lever (3), pull the throttle lever (2), and move the I-O switch (1) to the throttle lock position. With holding the I-O switch (1), release the throttle lever (2) and the lock-off lever (3). Then pull the starter knob.

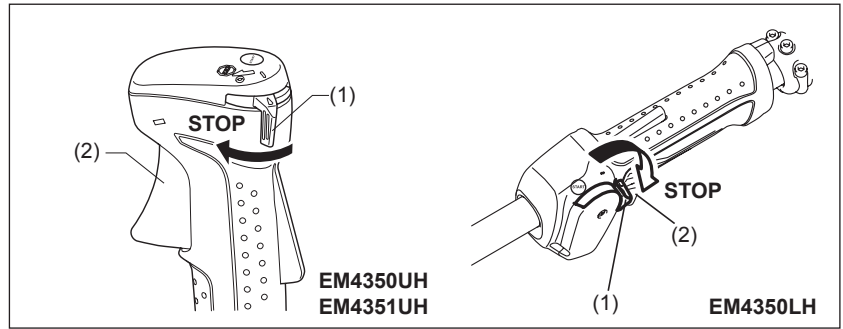
WARNING: Pay attention that the cutting tool rotates immediately.

- 6) Once the engine starts, release the lock-off lever (3) and pull the throttle lever (2), and release them to make the engine idle.



STOPPING

- 1) Release the throttle lever (2) fully, and when the engine rpm has lowered, set the I-O switch (1) to STOP the engine will now stop.
- 2) The cutting tool continues to rotate a while after stopping the engine. Wait until it stops completely.

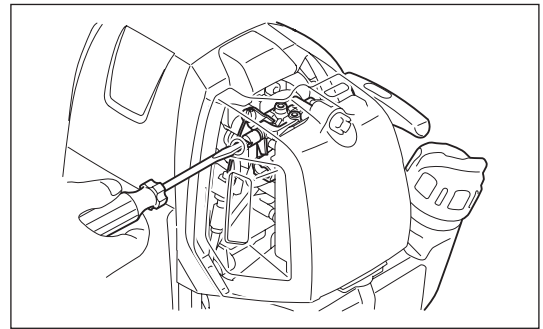


ADJUSTMENT OF IDLE SPEED

When it is necessary to adjust the idle speed, perform it by the carburetor adjusting screw.

CHECKUP OF IDLE SPEED

- Set the idle speed to 3,000 min⁻¹.
If it is necessary to change the idle speed, use a phillips head screw driver on the screw illustrated on the right.
- To increase the idle speed, turn the adjusting screw clockwise.
To reduce the idle speed, turn the adjusting screw counterclockwise.
- The carburetor is factory adjusted. However, after several use the idle speed need to be re-adjusted.

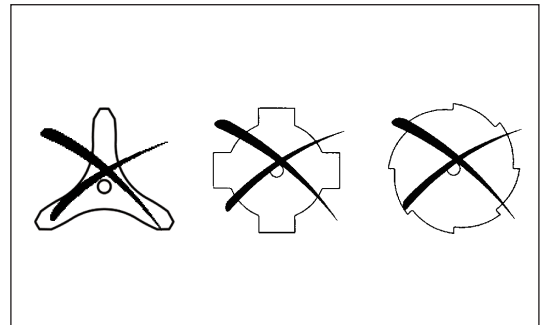


RESHARPENING THE CUTTING TOOL



CAUTION: The cutting tools shown in the illustration are not to be sharpened. Manual sharpening will result in imbalances of the cutting tool causing vibrations and damage to the equipment.

NOTE: To increase the service life of the cutter blade it may be turned over once, until both cutting edges have become blunt.



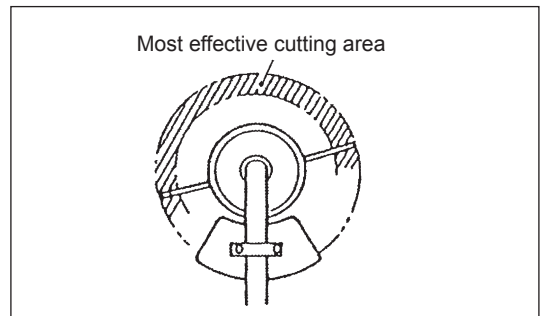
NYLON CUTTING HEAD

The nylon cutting head is a dual line trimmer head that has bump & feed mechanism.

The nylon cutting head will feed out the proper length of nylon line after tapping the nylon cutting head on the ground by changes in centrifugal force caused by increasing or decreasing rpms.

Operation

- Increase the nylon cutting head speed to approx. 6,000 min⁻¹.
Bump the nylon cutting head lightly on the ground.
- The most effective cutting area is shown by the shaded area.
- If the nylon cord does not feed out, rewind/replace the nylon cord by following the procedures described under "Replacing the nylon cord."



Replacing the nylon cord (BUMP & FEED)

WARNING: Make sure that the cover of the nylon cutting head is secured to the housing properly as described below. Failure to properly secure the cover may cause the nylon cutting head to fly apart resulting in serious personal injury.

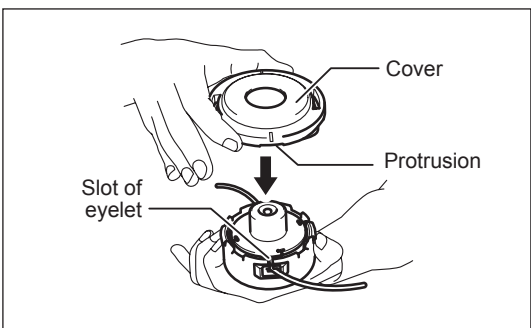
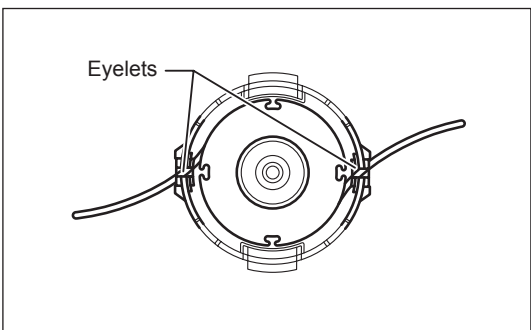
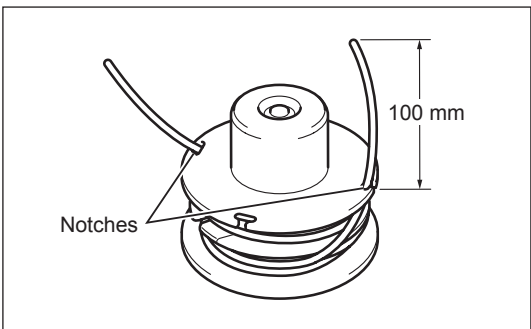
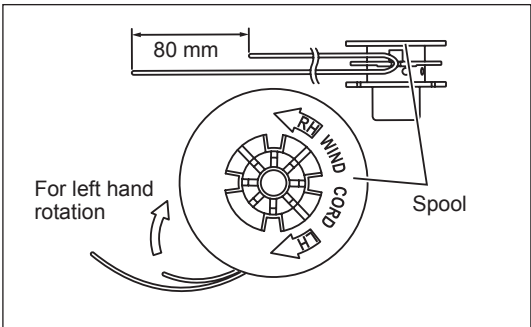
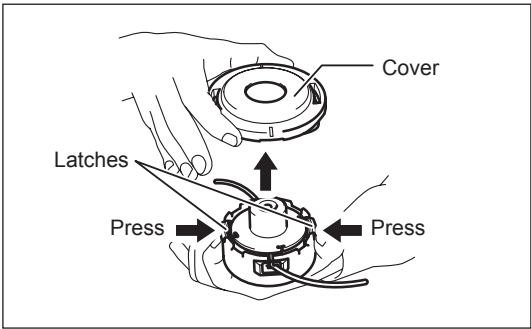
Press inward on the housing latches and lift upward to remove the cover. Discard any of the remaining nylon cord.

Hook the middle of the new nylon cord to the notch located at the center of the spool between the 2 channels provided for the nylon cord. One side of the cord should be about 80 mm longer than the other side. Wind both ends firmly around the spool in the direction left marked on the head for left hand rotation indicated by LH.

Wind all but about 100 mm of the cords, leaving the ends temporarily hooked through a notch on the side of the spool.

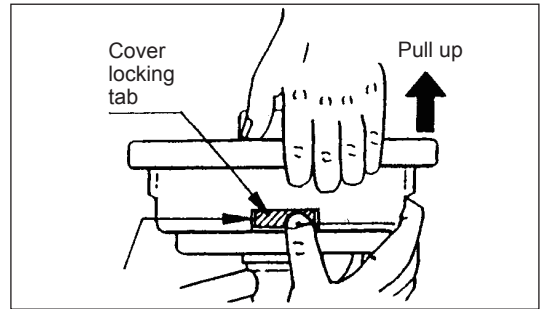
Mount the spool in the housing so that the grooves and protrusions on the spool match up with those in the housing. Keep the side with letters on the spool visible on the top. Now, unhook the ends of the cord from their temporary position and feed the cords through the eyelets to come out of the housing.

Align the protrusion on the underside of the cover with the slots of the eyelets. Then push cover firmly onto the housing to secure it. Make sure the latches fully spread in the cover.

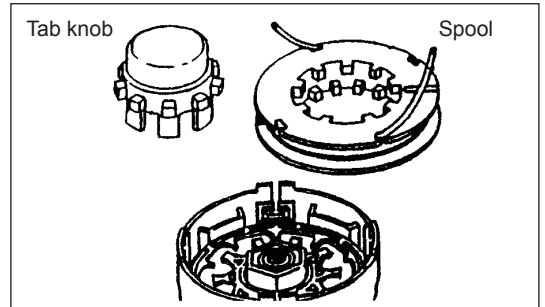


Replacing the nylon cord (ULTRA AUTO)

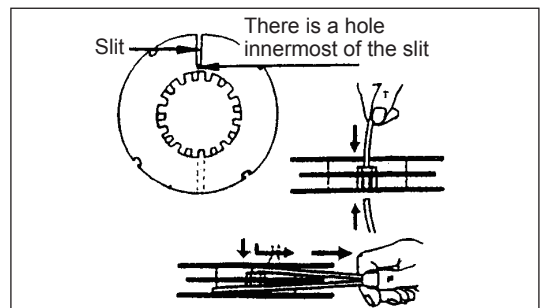
1. Put off cover from housing, pressing two cover locking tabs located oppositely on side of the housing.



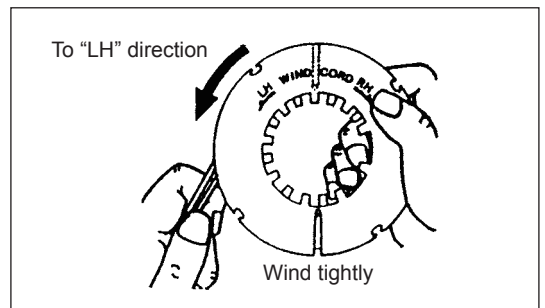
2. Take off tab knob and spool from the housing.



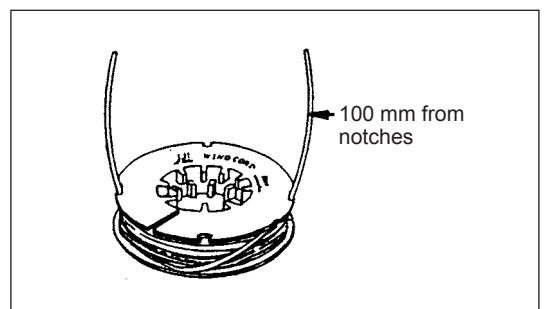
3. Put each one end of two cutting lines into each holes at innermost of the slot on one of spool outer flanges. Put the lines into spool gutters through each slit on the flanges.



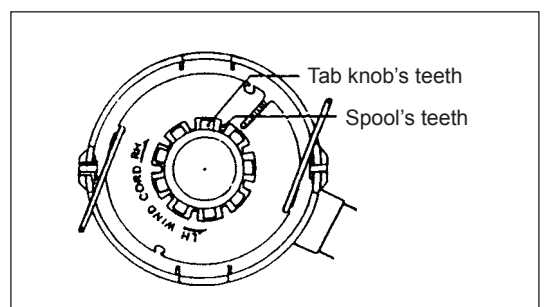
4. Wind the lines up firmly to the direction shown by left-hand (LH) arrow on the flange. Do not cross the lines.



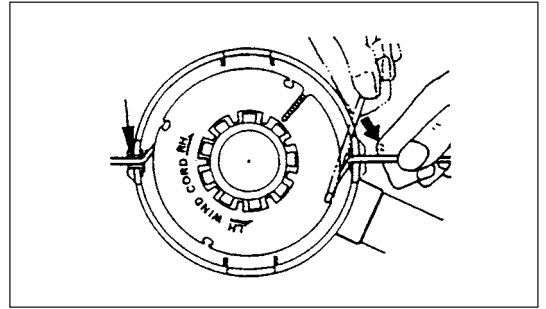
5. Wind all but about 100 mm (3-15/16") of the Cords, leaving the end temporarily hooked through a notch on the side of the spool.



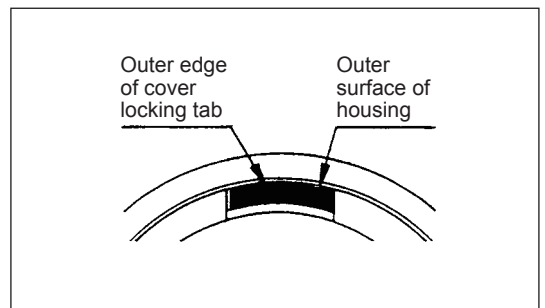
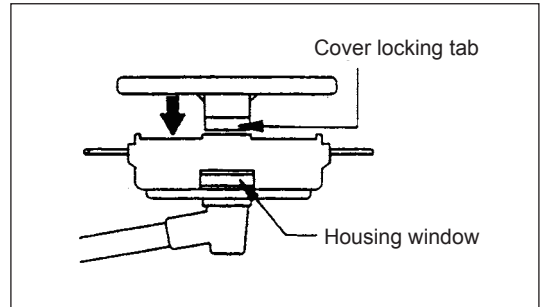
6. Put tab knob onto the housing hub, positioning it can freely move up and down against spring tension. Put the spool into the housing, aligning the teeth on spool and tap knob alternately like gears.



7. Put in the cutting lines through the slot of eyelets.



8. Put the cover onto the housing, aligning the tabs on cover and the windows on housing. Make sure the cover is secured exactly to the housing. Outer edge of cover locking tab and outer surface of the housing should be on same circumference.



SERVICING INSTRUCTIONS

CAUTION: Before doing any work on the equipment, always stop the engine and pull the plug cap off the spark plug (see “checking the spark plug”).
Always wear protective gloves!

To ensure a long service life and to avoid any damage to the equipment, the following servicing operations should be performed at regular intervals.

Daily checkup and maintenance

- Before operation, check the machine for loose screws or missing parts. Pay particular attention to the tightness of the metal blade or nylon cutting head.
- Before operation, always check for clogging of the cooling air passage and the cylinder fins. Clean them if necessary.
- Perform the following work daily after use:
 - Clean the equipment externally and inspect for damage.
 - Clean the air filter. When working under extremely dusty conditions, clean the filter the several times a day.
 - Check the blade or the nylon cutting head for damage and make sure it is firmly mounted.
 - Check that there is sufficient difference between idling and engagement speed to ensure that the cutting tool is at a standstill while the engine is idling (if necessary reduce idling speed).
If under idling conditions the tool should still continue to run, consult your nearest Authorized Service Agent.
- Check the functioning of the I-O switch, the lock-off lever, the throttle lever, and the lock button.

REPLACEMENT OF ENGINE OIL

Deteriorated engine oil will shorten the life of the engine. Be sure to check the oil and level regularly.



WARNING: The engine and engine oil is still hot just after stopping engine. Allow sufficient time for the engine and engine oil to cool down. Otherwise a skin burn may result.

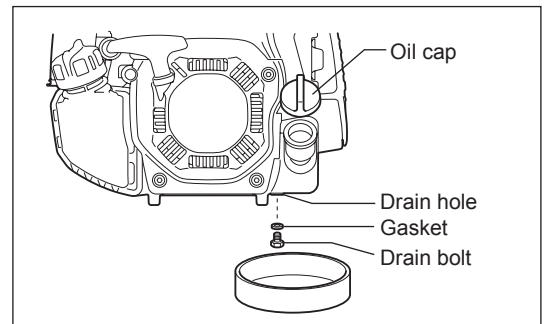
NOTE: If the oil filled above the limit, it may be contaminated or may catch fire with white smoke. Allow sufficient time after stopping engine for the engine oil to return to the oil tank to ensure accurate reading of the oil level.

Interval of replacement: After first 20 operating hours, followed by every 50 operating hours.

Recommended oil: SAE10W-30 oil of API Classification SF Class or higher (4-stroke engine oil for automobile)

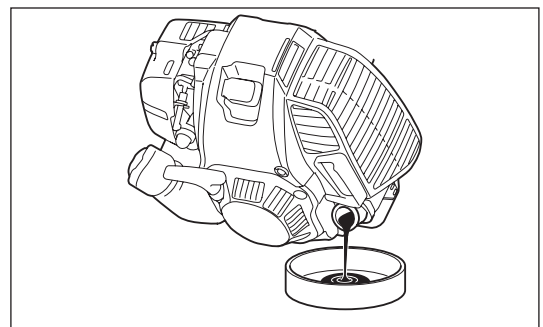
In replacement, perform the following procedure.

- 1) Make sure that the fuel tank cap is tightened securely.
- 2) Place large container (pan, etc.) under drain hole.
- 3) Remove drain bolt and then remove oil cap to drain out oil from drain hole. At this time, be sure not to lose drain bolt's gasket, or get dirty any of the removed components.
- 4) Once all the oil has been drained, install gasket and drain bolt, and tightly secure drain bolt, so that it will not loosen and cause leaks.
[Tightening torque: 5 N·m]
* Use cloth to fully wipe off any oil attached to bolt and equipment.



Alternative draining method

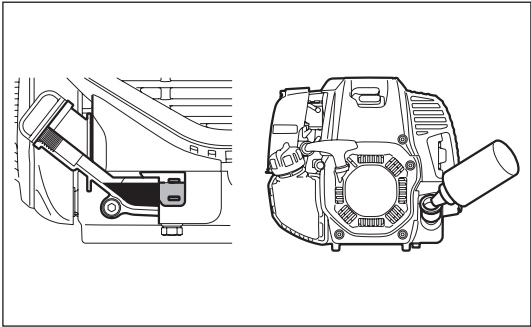
Remove oil cap, tilt the equipment toward oil filler hole, and drain out oil. Collect oil in container.



- 5) Set the engine level, and gradually fill up to upper limit mark with new oil.
- 6) After filling, tightly secure oil cap, so that it will not loosen and cause leaks. If oil cap is not tightly secured, it may leak.

POINTS ON OIL

- Never discard replaced engine oil in garbage, earth or sewage ditch. Disposal of oil is regulated by law. In disposal, always follow the relevant laws and regulations. For any points remaining unknown, contact Authorized Service Agent.
- Oil will deteriorate even when it is kept unused. Perform inspection and replacement at regular intervals (replace with new oil every 6 months).



CLEANING OF AIR CLEANER



WARNING: Shut off the engine, keep away from open flames and do not smoke.

Interval of Cleaning and Inspection: Daily (every 10 operating hours)

- Turn the choke lever to the full close side, and keep the carburetor off from dust or dirt.

Removing air cleaner cover

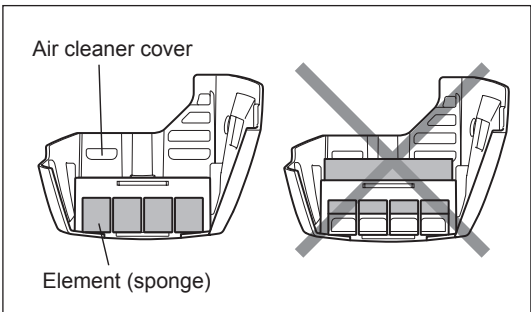
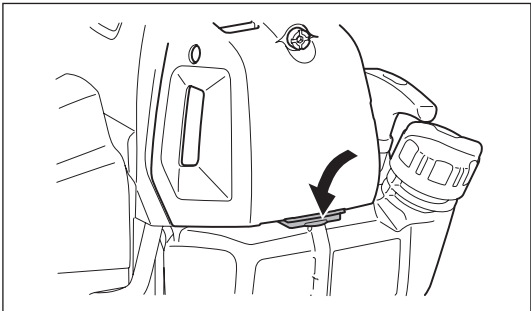
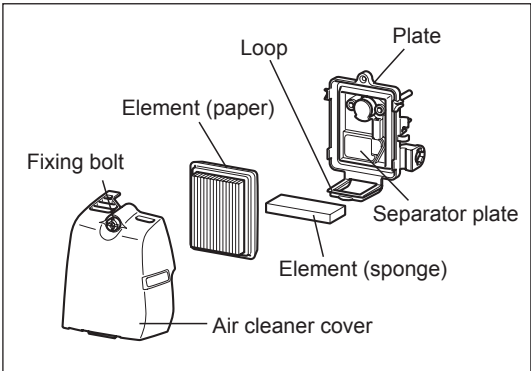
- Release the hook on the air cleaner cover by pressing down the loop on the plate.
- Loosen fixing bolt.
- Pull and remove the air cleaner cover.

Cleaning element

- Remove the elements and tap them to remove dirt.
- For heavy contamination:
 - 1) Remove the element (sponge), immerse it in warm water or in water-diluted neutral detergent, and dry it completely. Do not squeeze or rub it when washing.
 - 2) Clean the element (paper) by tapping it gently. If you can use an air blow gun, blow the compressed air onto the inside of the element (paper). Do not wash the element (paper).
- Before attaching the element (sponge), be sure to dry it completely. Insufficient drying of the element (sponge) may lead to difficult start-up.
- Wipe out oil adhering around the air cleaner cover and separator plate with waste cloth.

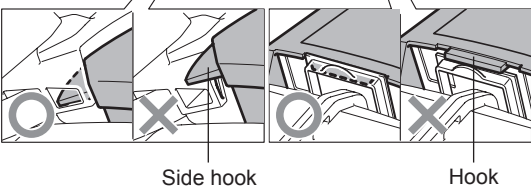
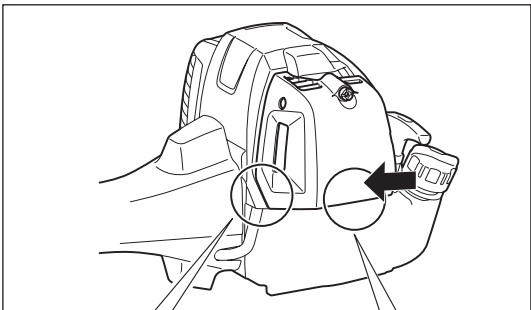
Attaching air cleaner cover

- Fit the element (sponge) and element (paper). Insert the element (sponge) all the way into the air cleaner cover.
- Insert the side hook onto the air cleaner cover as illustrated, and push the lower part of the air cleaner cover until it clicks so that the hook sits into the loop properly. And then tighten the air cleaner cover with fixing bolt.



NOTICE:

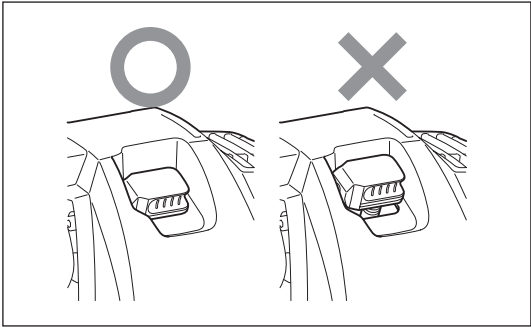
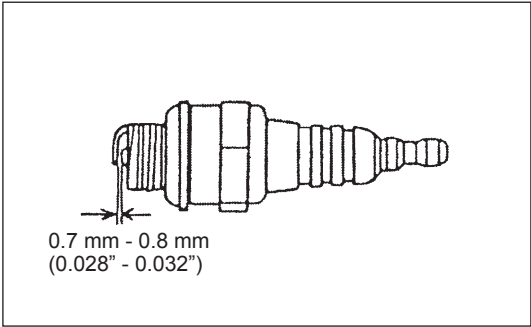
- Clean the elements several times a day, if excessive dust adheres to it. Dirty elements reduce engine power and make starting engine difficult.
- Remove oil on the elements. If operation continues with the elements remaining not cleared of oil, oil in the air cleaner may fall outside, resulting in contamination of the environment.
- Do not put the elements on the ground or dirty place. Otherwise they pick up dirt or debris and it may damage the engine.
- Never use fuel for cleaning the elements. Fuel may damage them.



CHECKING THE SPARK PLUG

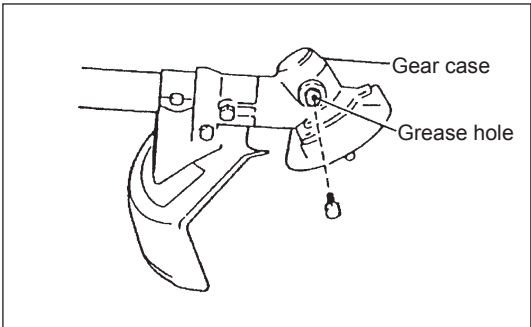
- Only use the supplied universal wrench to remove or to install the spark plug.
 - The gap between the two electrodes of the spark plug should be 0.7 - 0.8 mm (0.028" - 0.032"). If the gap is too wide or too narrow, adjust it. If the spark plug is clogged or contaminated, clean it thoroughly or replace it.
- Place the plug cap properly as illustrated after checking.

CAUTION: Never touch the spark plug connector while the engine is running (danger of high voltage electric shock).



SUPPLY OF GREASE TO GEAR CASE

- Supply grease (Shell Alvania 2 or equivalent) to the gear case through the grease hole every 30 hours. (Genuine MAKITA grease may be purchased from your MAKITA dealer.)



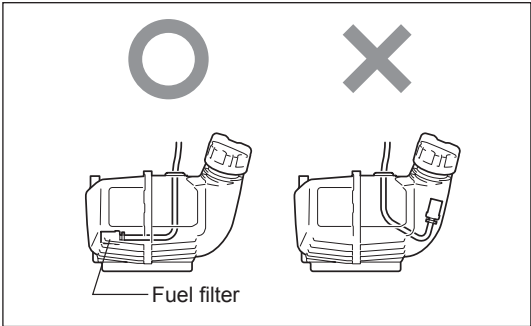
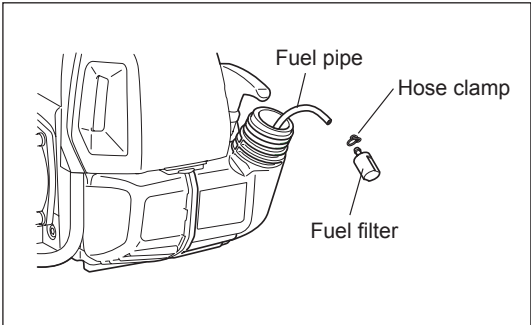
CLEANING OF FUEL FILTER

WARNING: INFLAMMABLES STRICTLY PROHIBITED

Interval of Cleaning and Inspection: Monthly (every 50 operating hours)

Suction head in the fuel tank

- The fuel filter (1) of the suction head is used to filter the fuel required by the carburetor.
- A periodical visual inspection of the fuel filter is to be conducted. Open the tank cap, use a wire hook and pull out the suction head through the tank opening. If the filter is hard or clogged up, replace it.
- Replace the fuel filter at least quarterly to ensure an enough fuel supply to the carburetor. Otherwise an insufficient fuel supply will cause the engine start failure and limited maximum speed.
- After checking, cleaning or replacing, fix the fuel filter onto the fuel pipe with the hose clamp. Push the fuel filter in all the way to the bottom of the fuel tank.



REPLACEMENT OF FUEL PIPE

CAUTION: INFLAMMABLES STRICTLY PROHIBITED

Interval of Cleaning and Inspection: Daily (every 10 operating hours)

Replacement: Annually (every 200 operating hours)

Replace the fuel pipe every year, regardless of operating frequency. Fuel leakage may lead to fire.

If any leakage is detected during inspection, replace the fuel pipe immediately.

INSPECTION OF BOLTS, NUTS AND SCREWS

- Retighten loose bolts, nuts, etc.
- Check the fuel cap and oil cap for tightness. Check for fuel and oil leakage.
- Replace damaged parts with new ones for safety operation.

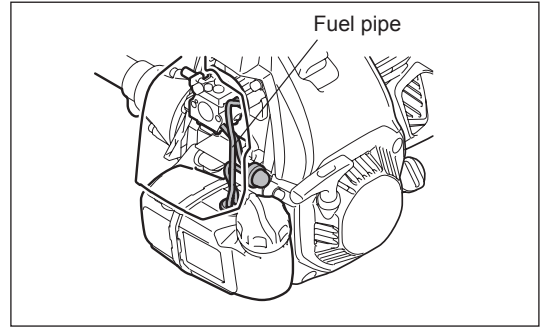
CLEANING OF PARTS

- Always keep the engine clean by wiping down with a cloth rag.
- Keep the cylinder fins free of dust or dirt. Dust or dirt adhering to the fins will cause piston seizure.

REPLACEMENT OF GASKETS AND PACKINGS

Replace gaskets and packings if the engine is disassembled.

Any maintenance or adjustment work that is not included and described in this manual is only to be performed by Authorized Service Agents.



STORAGE

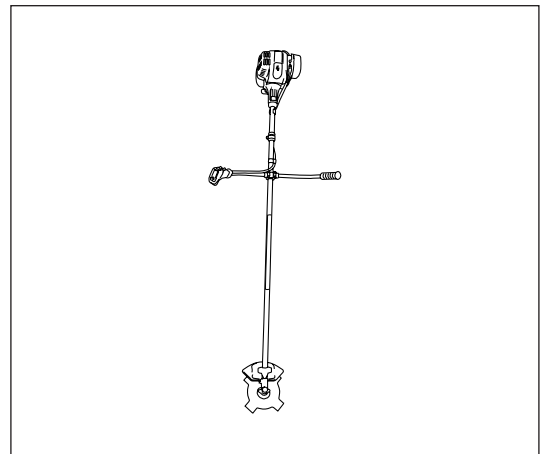


WARNING: The engine is still hot just after stopping engine. When draining the fuel, allow sufficient time for the engine to cool down after stopping it. Otherwise a skin burn and/or fire may result.



DANGER: When the machine is kept out of operation for a long time, drain all fuel from the fuel tank and carburetor, and keep it at a dry and clean place.

- Drain fuel from the fuel tank and carburetor according to the following procedure:
 - 1) Remove the fuel tank cap, and drain fuel completely. If there is any foreign matter remaining in the fuel tank, remove it completely.
 - 2) Pull out the fuel filter from the refill port using a wire.
 - 3) Push the primer pump until fuel is drained from there, and drain fuel coming into the fuel tank.
 - 4) Put the filter to the fuel tank, and securely tighten the fuel tank cap.
 - 5) Then, continue to operate the engine until it stops.
- Remove the spark plug, and drip several drops of engine oil through the spark plug hole.
- Gently pull the starter handle so that engine oil will spread over the engine, and attach the spark plug.
- Attach the cover to the metal blade.
- In general, store the machine in horizontal position, or if it is not possible, place the machine as the cutting tool comes below the engine. Pay full attention how to store the machine to prevent the machine from falling. Otherwise it may result in personal injury.
- Keep the drained fuel in a special container in a well-ventilated shade.



Attention after long-time storage

- Before startup after long-time shutdown, be sure to replace oil (refer to P 22). Oil will deteriorate while the machine is kept out of operation.

Item	Operating time	Before operation	After refueling	Daily (10h)	30h	50h	200h	Before storage	Corresponding P
Engine oil	Inspect/clean	○							13
	Replace					○*1			22
Tightening parts (bolt, nut)	Inspect	○							24
Fuel tank	Clean/inspect	○							—
	Drain fuel							○*3	25
Throttle lever	Check function		○						—
Stop switch	Check function		○						22
Cutting tool	Inspect	○		○					10
Idle speed	Inspect/adjust			○					18
Air cleaner	Clean			○					23
Spark plug	Inspect			○					24
Cooling air passage and cylinder fins	Clean/inspect			○					25
Fuel pipe	Inspect			○					25
	Replace						◎*2		—
Gear-case grease	Refill				○				24
Fuel filter	Clean/replace					○			24
Valve clearance (intake valve and exhaust valve)	Inspect/adjust						◎*2		—
Carburetor	Drain fuel							○*3	25

*1 Perform initial replacement after 20h operation.

*2 For the 200 operating hour inspection, request Authorized Service Agent or a machine shop.

*3 After emptying the fuel tank, continue to run the engine and drain fuel in the carburetor.

TROUBLESHOOTING

Before making a request for repairs, check for trouble by yourself. If any abnormality is found, control your machine according to the description of this manual. Never tamper or dismount any part contrary to the description. For repairs, contact Authorized Service Agent or local dealership.

State of abnormality	Probable cause (malfunction)	Remedy
Engine does not start	I-O switch is set to STOP.	Set the I-O switch to OPERATION.
	Failure to operate primer pump	Push 7 to 10 times
	Low pulling speed of starter rope	Pull strongly
	Lack of fuel	Feed fuel
	Clogged fuel filter	Clean
	Broken fuel tube	Straighten fuel tube
	Deteriorated fuel	Deteriorated fuel makes starting more difficult. Replace with new fuel. (Recommended replacement: 1 month)
	Excessive suction of fuel	Set throttle lever from medium speed to high speed, and pull starter handle until engine starts. Once engine starts, metal blade starts rotating. Pay full attention to metal blade. If engine will not start still, remove spark plug, dry the electrode, and reassemble them as they originally are. Then, start as specified.
	Detached plug cap	Attach securely
	Contaminated spark plug	Clean
	Abnormal clearance of spark plug	Adjust clearance
	Other abnormality of spark plug	Replace
	Abnormal carburetor	Make request for inspection and maintenance.
Starter rope cannot be pulled	Make request for inspection and maintenance.	
Abnormal drive system	Make request for inspection and maintenance.	
Engine stops soon Engine speed does not increase	Insufficient warm-up	Perform warm-up operation
	Choke lever is set to "CLOSE" although engine is warmed up.	Set to "OPEN"
	Clogged fuel filter	Clean
	Contaminated or clogged air cleaner	Clean
	Abnormal carburetor	Make request for inspection and maintenance.
	Abnormal drive system	Make request for inspection and maintenance.
Metal blade does not rotate ↓ Stop engine immediately	Loosened metal blade-tightening nut	Tighten securely
	Twigs caught by metal blade or dispersion-preventing cover.	Remove foreign matter
	Abnormal drive system	Make request for inspection and maintenance.
Main unit vibrates abnormally ↓ Stop engine immediately	Broken, bent or worn metal blade	Replace metal blade
	Loosened metal blade-tightening nut	Tighten securely
	Shifted convex part of metal blade and metal blade support fitting.	Attach securely
	Abnormal drive system	Make request for inspection and maintenance.
Metal blade does not stop immediately ↓ Stop engine immediately	High idling rotation	Adjust
	Detached throttle wire	Attach securely
	Abnormal drive system	Make request for inspection and maintenance.
Engine does not stop ↓ Run engine at idling, and set choke lever to CLOSE	Detached connector	Attach securely
	Abnormal electric system	Make request for inspection and maintenance.

When the engine does not start after warm-up operation:

If there is no abnormality found for the check items, open the throttle by about 1/3 and start the engine.

Merci beaucoup d'avoir acheté cet appareil électrique pour l'extérieur de MAKITA. Nous sommes ravis de vous recommander ce produit MAKITA, résultat d'un long programme de développement et de nombreuses années d'expérience et de connaissances.

Veuillez lire ce livret qui explique en détail les nombreuses caractéristiques qui en font un outil d'une performance exceptionnelle. Il vous aidera à obtenir les meilleurs résultats possibles de votre produit MAKITA.



Table des matières	Page
Symboles.....	28
Consignes de sécurité.....	29
Caractéristiques techniques.....	33
Nomenclature des pièces.....	34
Montage de la poignée.....	35
Montage du dispositif de protection.....	36
Montage de la lame métallique ou de la tête à fil de nylon.....	38
Avant de commencer.....	39
Maniement correct de la machine.....	41
Avertissements concernant le fonctionnement et la procédure d'arrêt.....	42
Réaffûtage de l'outil de coupe.....	44
Instructions d'entretien.....	48
Entreposage.....	51

SYMBOLES

Le mode d'emploi contient les symboles suivants.

	Lisez le manuel d'instructions et respectez les avertissements et précautions de sécurité !		Éloignez les personnes et les animaux du lieu de travail !
	Utilisez de l'attention et de soins tout particuliers !		Portez un casque protecteur, des lunettes de protection et des protège-oreilles !
	Interdit !		Vitesse d'outil maximale autorisée
	Restez à distance !		Carburant (essence)
	Danger d'objets volants !		Démarrage manuel du moteur
	Choc en retour !		Arrêt d'urgence
	Ne fumez pas !		Premiers secours
	Pas de flammes nues !		SOUS TENSION/DÉMARRAGE
	Portez des gants de protection !		HORS TENSION/ARRÊT
	Portez des bottes robustes équipées de semelles antidérapantes. Les bottes de sécurité à doigts de pieds métalliques sont recommandées !		POSITION DE VERROUILLAGE DE L'ACCÉLÉRATEUR

CONSIGNES DE SÉCURITÉ

Instructions générales

- Lisez ce manuel d'instructions pour vous familiariser avec l'utilisation de l'appareil. Sans ces informations, vous risquez de vous mettre en danger ou de blesser d'autres personnes à cause d'une utilisation incorrecte.
- Il est préférable de ne prêter l'appareil qu'à des personnes expérimentées. Prêtez-leur systématiquement le manuel d'instructions.
- Veuillez d'abord solliciter des instructions de base auprès du vendeur, afin de vous familiariser avec le fonctionnement de la débroussailleuse.
- Les enfants et les adolescents de moins de 18 ans ne doivent pas utiliser cet appareil. Les personnes de plus de 16 ans peuvent l'utiliser à des fins de formation, mais sous la supervision d'un formateur agréé.
- Faites preuve d'une extrême vigilance et attention.
- Utilisez l'appareil uniquement si vous êtes en bonne condition physique. Effectuez tout le travail avec calme et prudence. Vous êtes responsable par rapport aux autres personnes.
- N'utilisez jamais cet appareil après avoir consommé de l'alcool ou de la drogue, ou bien si vous vous sentez fatigué ou malade.
- Les lois en vigueur peuvent restreindre l'utilisation de l'outil.

Utilisation prévue de l'outil

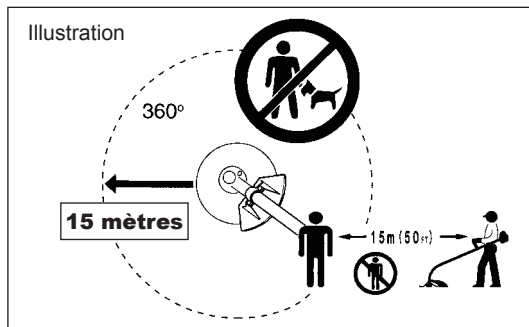
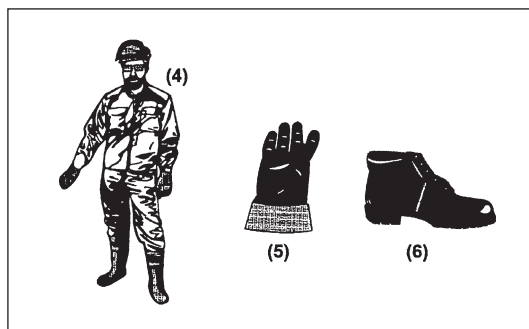
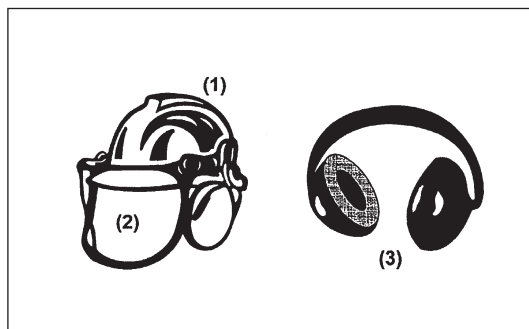
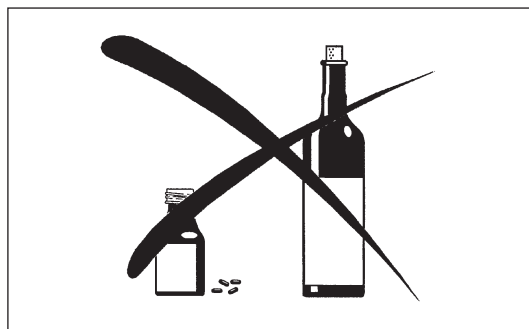
- Cet appareil est destiné uniquement à couper le gazon, les mauvaises herbes, les buissons et les sous-bois. Il ne doit pas être utilisé à d'autres fins, telles que la taille des bordures ou des haies, car cela comporte un risque de blessure.

Équipement de protection individuelle

- Les vêtements que vous portez doivent être fonctionnels et adaptés, c'est-à-dire qu'ils doivent être près du corps, sans pour autant gêner vos mouvements. Ne portez pas de bijoux ou de vêtements qui pourraient s'emmêler dans les taillis ou les petits arbustes.
- L'équipement de protection suivant ainsi que les vêtements de protection doivent être utilisés afin d'éviter des blessures au pied, à la main, aux yeux et à la tête ainsi que pour protéger votre ouïe durant l'utilisation.
- Portez toujours un casque en cas de risque de chute d'objets. Le casque de protection (1) doit être vérifié à intervalles réguliers pour parer à d'éventuels dommages et il doit être remplacé au plus tard tous les 5 ans. N'utilisez que des casques de protection agréés.
- La visière (2) du casque (ou alternativement les lunettes) protège le visage des débris et des pierres qui volent. Pendant l'utilisation, portez toujours des lunettes de protection ou une visière pour éviter toute blessure aux yeux.
- Portez un équipement de protection antibruit adéquat afin d'éviter toute perte auditive (coquilles antibruit (3), bouchons d'oreille etc.).
- Les vêtements de travail (4) protègent contre les débris et les pierres qui volent. Nous vous recommandons fortement de porter des vêtements de travail.
- Les gants (5) font partie de l'équipement prescrit et doivent toujours être portés pendant l'utilisation.
- Lorsque vous utilisez l'appareil, portez toujours des chaussures robustes (6) équipées de semelles anti-dérapantes. Elles vous protégeront des blessures éventuelles et vous assureront une bonne stabilité.

Démarrage de la débroussailleuse

- Éloignez les personnes et les enfants à une distance minimum de 15 mètres du lieu de travail et faites attention aux animaux qui pourraient se trouver à proximité.
- Avant l'utilisation, vérifiez toujours que l'appareil ne présente aucun danger : Vérifiez la sécurité de l'outil de coupe, la maniabilité du levier d'accélération ainsi que le bon fonctionnement du verrouillage du levier d'accélération.
- La rotation du dispositif de coupe au repos est interdite. En cas de doute, vérifiez le réglage avec votre revendeur. Vérifiez que les poignées sont propres et sèches et que l'interrupteur marche/arrêt fonctionne correctement.

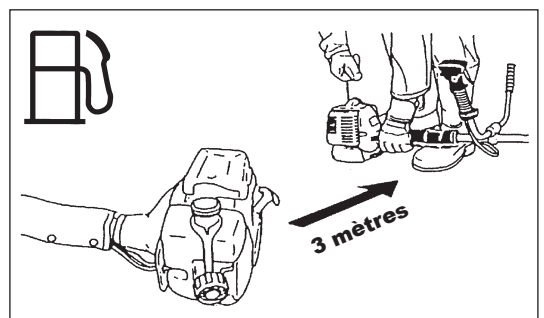
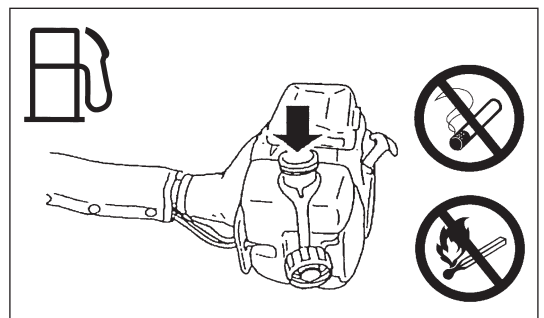
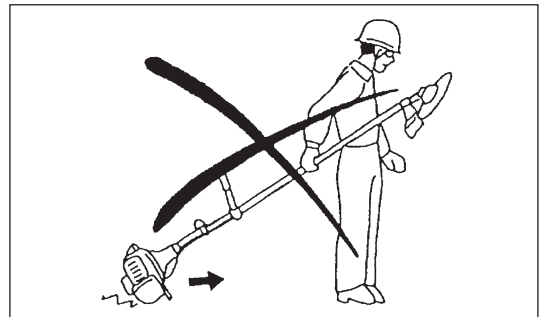
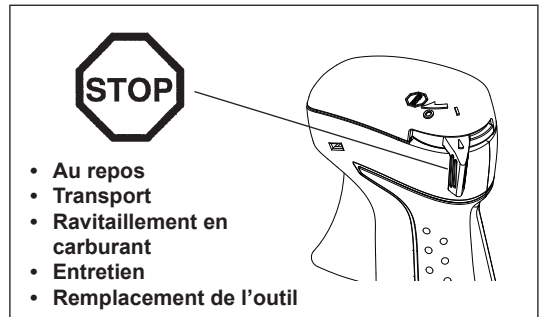
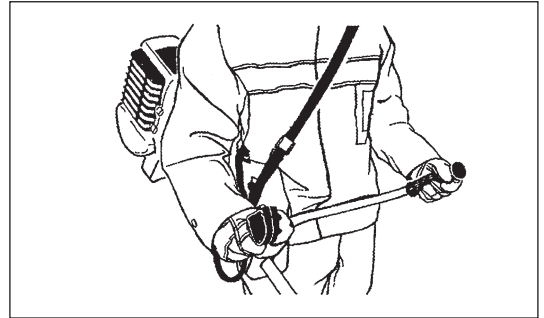
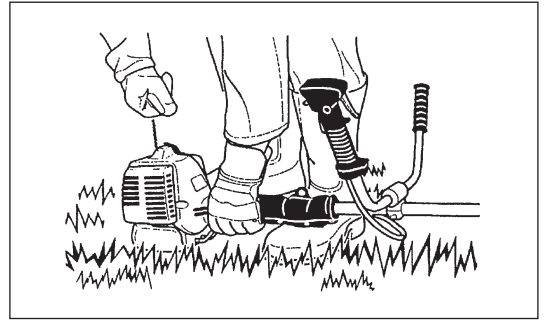


Ne démarrez la débroussailleuse qu'en conformité avec les instructions.

- Ne démarrez pas le moteur selon une autre méthode !
- Utilisez la débroussailleuse et les outils uniquement pour les applications spécifiées.
- Ne démarrez le moteur qu'après avoir procédé au montage complet de l'appareil. Le fonctionnement de l'outil n'est autorisé qu'une fois l'ensemble des accessoires fixés !
- Avant de démarrer, assurez-vous que l'outil de coupe n'est pas en contact avec des objets durs tels que des branches, des pierres, etc. et qu'il tournera au démarrage.
- En cas de problème avec le moteur, éteignez-le immédiatement.
- Si l'outil de coupe heurte des pierres ou d'autres objets durs, arrêtez immédiatement le moteur et examinez l'outil de coupe.
- Examinez l'outil de coupe à intervalles réguliers courts pour vous assurer qu'il n'a pas subi de dommages (détection de fissures capillaires à l'aide du test de tapping).
- En cas de chute ou d'impact de l'appareil, vérifiez qu'il est en bon état avant de poursuivre le travail. Vérifiez qu'il n'y a pas de fuite de carburant dans le circuit d'alimentation, et que les commandes et dispositifs de sécurité fonctionnent correctement. En cas de dommage ou de doute, demandez à un centre d'entretien agréé d'examiner et de réparer l'outil.
- N'utilisez l'appareil qu'avec la bandoulière que vous devez régler correctement avant de mettre la débroussailleuse en marche. Il est très important de régler la bandoulière selon votre taille afin d'éviter toute fatigue supplémentaire pendant l'utilisation. Ne tenez jamais l'outil d'une seule main pendant l'utilisation.
- Tenez toujours la débroussailleuse à deux mains. Assurez-vous toujours d'avoir une bonne stabilité.
- Utilisez l'appareil de façon à éviter d'inhaler les gaz d'échappement. Ne faites jamais tourner le moteur dans une pièce confinée (risque d'intoxication aux gaz). Le monoxyde de carbone est un gaz inodore.
- Éteignez le moteur lorsque vous faites une pause ou laissez l'appareil sans surveillance, et placez-le dans un endroit sûr pour éviter de mettre en danger les autres personnes ou d'endommager l'outil.
- Ne placez jamais la débroussailleuse sur de l'herbe sèche ou des matériaux combustibles.
- Installez toujours le protège-lame de l'outil de coupe approuvé sur l'appareil avant de démarrer le moteur. Sinon, un contact avec l'outil de coupe pourrait causer de graves blessures.
- Vous devez utiliser toutes les installations protectives et protections fournies avec l'outil durant l'utilisation.
- Ne faites jamais fonctionner le moteur si le pot d'échappement est endommagé.
- Éteignez le moteur durant le transport.
- Lorsque vous transportez l'appareil, fixez toujours le couvercle sur la lame métallique.
- Pour éviter toute fuite de carburant, assurez-vous que l'appareil est bien fixé lors des transports en voiture.
- Lors du transport, assurez-vous que le réservoir de carburant est complètement vide.
- Lorsque vous déchargez l'appareil du coffre, ne laissez jamais tomber le moteur au sol, car cela risquerait d'endommager le réservoir de carburant.
- Sauf en cas d'urgence, ne laissez jamais tomber l'appareil et ne le jetez pas sur le sol, au risque de l'endommager grièvement.
- Veillez à soulever l'ensemble du matériel du sol lorsque vous le déplacez. Il est très dangereux de traîner le réservoir de carburant : cela risque de créer des fuites de carburant, voire un incendie.

Ravitaillement en carburant

- Lors du ravitaillement en carburant, coupez le moteur, éloignez-le des flammes nues et ne fumez pas.
- Évitez tout contact entre la peau et l'essence. N'inhalez pas les vapeurs de carburant. Portez toujours des gants de protection durant le ravitaillement en carburant. Changez et nettoyez régulièrement les vêtements de protection.
- Veillez à ne pas renverser de carburant ou d'huile, afin d'éviter toute contamination du sol (protection environnementale). Nettoyez immédiatement la débroussailleuse en cas d'écoulement de carburant.
- Évitez tout contact entre vos vêtements et le carburant. Si vous renversez du carburant sur vos vêtements, changez-en immédiatement (pour éviter que vos vêtements ne prennent feu).
- Vérifiez régulièrement le bouchon du réservoir pour vous assurer qu'il est bien fermé et ne fuit pas.
- Serrez soigneusement le bouchon du réservoir de carburant. Déplacez-vous pour démarrer le moteur (éloignez-vous à au moins 3 mètres de l'endroit où vous avez fait le plein).
- Ne faites jamais le plein dans une pièce confinée. Les vapeurs de carburant s'accumulent au niveau du sol (risque d'explosion).
- Transportez et stockez le carburant uniquement dans des récipients agréés. Assurez-vous que les enfants ne peuvent pas accéder au carburant.



Mode d'emploi

- N'utilisez l'appareil que si les conditions d'éclairage et de luminosité sont satisfaisantes. En hiver, soyez attentif aux zones glissantes ou mouillées, au verglas et à la neige (risque de glissade). Assurez-vous toujours d'avoir une bonne stabilité.
- Ne coupez jamais à une hauteur supérieure aux épaules.
- Ne montez jamais sur une échelle.
- Ne montez jamais dans un arbre pour procéder à la coupe.
- Ne travaillez jamais sur des surfaces instables.
- Enlevez le sable, les pierres, les clous etc., trouvés à l'intérieur du périmètre de travail.
Des corps étrangers peuvent endommager l'outil de coupe et causer des chocs en retour dangereux.
- Avant de commencer à couper, l'outil de coupe doit avoir atteint sa vitesse de travail maximale.
- En cas d'utilisation de lames métalliques, balancez l'outil régulièrement en demi-cercle de droite à gauche, comme si vous utilisiez une faux.
Si de l'herbe ou des branches sont coincées entre l'outil de coupe et le protège-lame, coupez toujours le moteur avant de procéder au nettoyage.
Sinon, la rotation imprévue de la lame pourrait causer de graves blessures.
- Reposez-vous pour éviter toute perte de contrôle due à la fatigue. Il est recommandé de faire une pause de 10 à 20 minutes toutes les heures.

Outils de coupe

- Utilisez un outil de coupe adapté au travail à effectuer.
Les têtes à fil de nylon (têtes de taille à fils) conviennent au taillage du gazon.
Les lames métalliques permettent de couper les mauvaises herbes, les herbes hautes, les buissons, les petits arbustes, les sous-bois, les fourrés et autres végétaux similaires.
N'utilisez jamais d'autres lames, dont les chaînes pivotantes en métal et les lames batteuses. Dans le cas contraire, l'appareil risquerait de blesser grièvement des personnes.
- Lors de l'utilisation de lames métalliques, évitez les « chocs en retour » et préparez-vous toujours à un choc en retour accidentel. Reportez-vous à la section « Choc en retour » et « Prévention des chocs en retour ».

Choc en retour (poussée de lame)

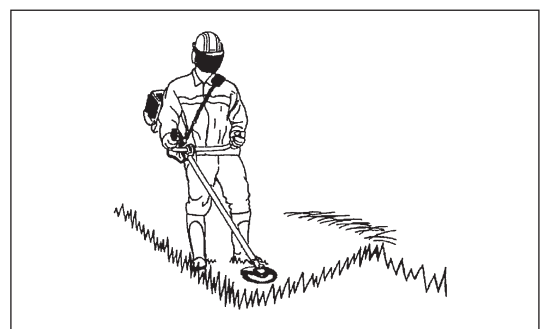
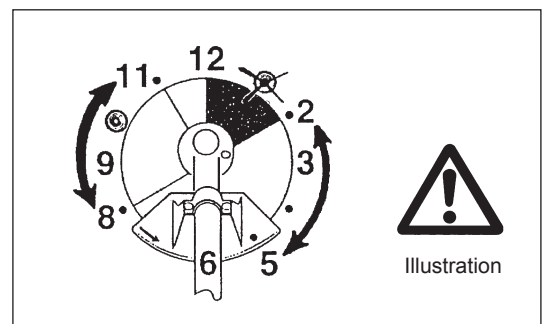
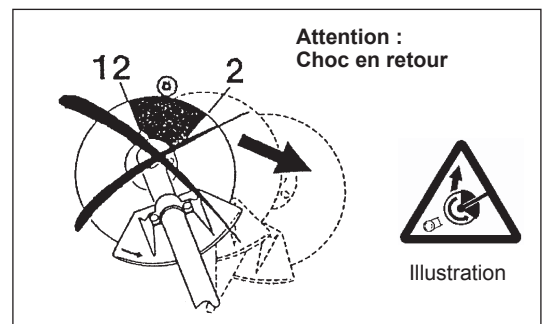
- Le choc en retour (poussée de lame) est une réaction soudaine d'une lame métallique agrippée ou coincée. Lorsque cela se produit, l'outil est projeté fortement sur le côté ou vers l'opérateur et il peut provoquer des blessures graves.
- Le choc en retour se produit en particulier lorsque vous appliquez le segment de lame entre 12 heures et 2 heures sur des corps solides, des buissons ou des arbres de 3 cm de diamètre ou plus.
- Pour éviter les chocs en retour :
 - Appliquez le segment entre 8 heures et 11 heures ;
 - N'appliquez jamais le segment entre 12 heures et 2 heures ;
 - N'appliquez jamais le segment entre 11 heures et 12 heures et entre 2 heures et 5 heures, sauf si vous avez reçu une bonne formation et êtes expérimenté(e), et ceci à vos propres risques ;
 - N'utilisez jamais les lames métalliques près d'éléments solides, tels que des barrières, des murs, des troncs d'arbres et des pierres ;
 - N'utilisez jamais les lames métalliques verticalement pour tailler des bordures ou des haies.

Vibrations

- Les personnes souffrant de troubles circulatoires peuvent subir des blessures au niveau des vaisseaux sanguins ou du système nerveux si elles sont exposées à des vibrations excessives. Les vibrations peuvent entraîner les symptômes suivants aux doigts, mains ou poignets : engourdissement, picotements, douleur, sensation lancinante, altération de la couleur ou de l'aspect de la peau. Si l'un ou l'autre de ces symptômes apparaît, consultez un médecin !
- Afin de réduire le risque de syndrome des vibrations du système main-bras, gardez vos mains au chaud et maintenez correctement l'appareil et ses accessoires.

Instructions d'entretien

- L'entretien de votre appareil doit être effectué par l'un de nos centres d'entretien agréés et seules des pièces de rechange authentiques doivent être utilisées. Une réparation incorrecte et un entretien défectueux peuvent réduire la durée de vie de l'appareil et accroître le risque d'accidents.
- Avant de commencer à utiliser l'outil, vérifiez son état, notamment l'outil de coupe des dispositifs de protection et la bandoulière. Examinez également avec une attention toute particulière les lames métalliques, qui doivent être bien affûtées.
- Coupez le moteur et retirez le connecteur de bougies lorsque vous remplacez ou aigüez les dispositifs de coupe et lorsque vous nettoyez la lame de coupe ou le dispositif de coupe.



Ne redressez et ne soudez jamais des outils de coupe endommagés.

- Respectez l'environnement. Pour réduire la pollution et les émissions sonores, évitez tout fonctionnement inutile du papillon des gaz. Réglez correctement le carburateur.
- Nettoyez régulièrement l'appareil et vérifiez que l'ensemble des vis et des écrous est bien serré.
- Ne procédez jamais à l'entretien de l'appareil et ne le rangez pas à proximité de flammes nues.
- Rangez toujours l'appareil dans une pièce fermée, après avoir vidé le réservoir de carburant.
- Lors du nettoyage, de l'entretien et du stockage de l'appareil, fixez toujours le couvercle à la lame métallique.



Respectez les instructions de prévention des accidents publiées par les associations professionnelles concernées et les compagnies d'assurance.

N'effectuez aucune modification sur l'appareil, au risque de mettre votre sécurité en danger.

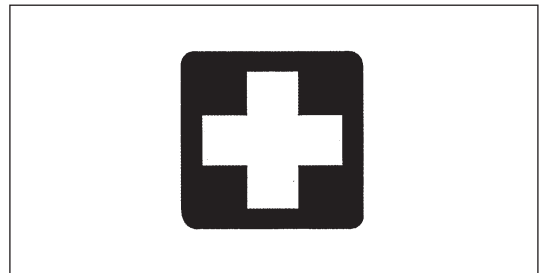
L'exécution de l'entretien ou des réparations par l'utilisateur est limitée aux activités décrites dans le manuel d'instructions. Toute autre tâche doit être réalisée par un agent d'entretien agréé. N'utilisez que des pièces de rechange et des accessoires d'origine fournis par MAKITA. L'utilisation d'accessoires ou d'outils non agréés augmente les risques d'accident. MAKITA n'acceptera aucune responsabilité pour des accidents ou des dommages causés par l'utilisation d'outils de coupe, de dispositifs de fixation d'outils de coupe ou d'accessoires.

Premiers secours

En cas d'accident, assurez-vous qu'une mallette de premier secours se trouve à proximité des opérations de coupe. Remplacez immédiatement tout article pris dans la mallette de premier secours.

Lorsque vous demandez de l'aide, veuillez fournir les renseignements suivants :

- Lieu de l'accident
- Ce qui s'est passé
- Nombre de personnes blessées
- Types de blessures
- Votre nom



Pour les pays d'Europe uniquement

Déclaration de conformité CE

Nous, Makita Corporation, en tant que fabricant responsable, déclarons que la ou les machines Makita suivantes :

Nom de la machine : Débroussailleuse Thermique

N° de modèle/Type : EM4351UH, EM4350UH, EM4350LH

Spécifications : reportez-vous au tableau « CARACTÉRISTIQUES TECHNIQUES »

sont fabriquées en série et

sont conformes aux directives européennes suivantes :

2000/14/CE, 2006/42/CE

et sont produites conformément aux normes ou documents de normalisation suivants :

EN ISO 11806-1

La documentation technique est disponible auprès de notre représentant en Europe qui est :

Makita International Europe Ltd.,

Michigan Drive, Tongwell, Milton Keynes, Bucks MK15 8JD, Angleterre

La procédure d'évaluation de la conformité requise par la directive 2000/14/CE est conforme à l'annexe V.

EM4351UH :

Niveau de puissance sonore mesurée : 111,9 dB

Niveau de puissance sonore garantie : 113 dB

EM4350UH :

Niveau de puissance sonore mesurée : 112,1 dB

Niveau de puissance sonore garantie : 113 dB

EM4350LH :

Niveau de puissance sonore mesurée : 110,7 dB

Niveau de puissance sonore garantie : 112 dB

8. 9. 2011

Tomoyasu Kato
Directeur

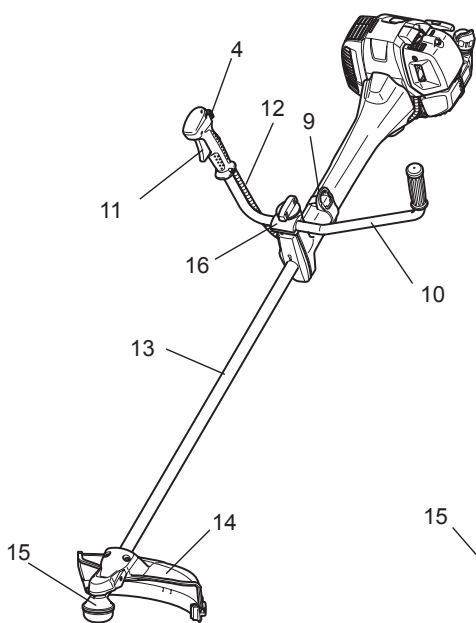
Makita Corporation
3-11-8, Sumiyoshi-cho,
Anjo, Aichi, JAPAN

CARACTÉRISTIQUES TECHNIQUES EM4351UH, EM4350UH, EM4350LH

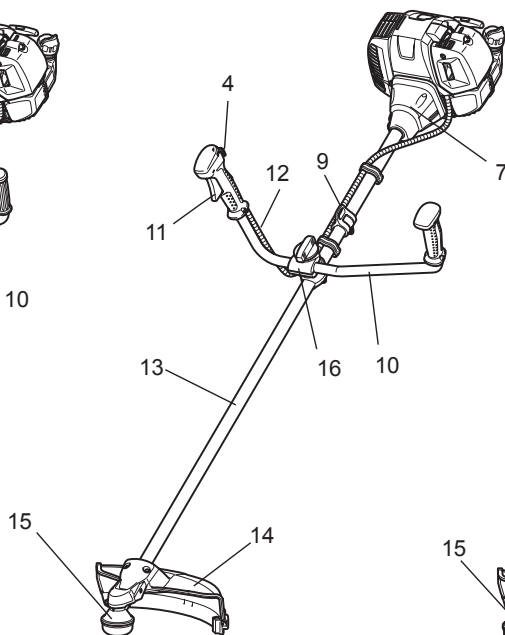
Modèle			EM4351UH	EM4350UH	EM4350LH					
Type de poignée			Poignée de vélo		Poignée de vélo		Poignée fermée			
Dimensions : longueur x largeur x hauteur (sans l'outil de coupe) mm			1 812 x 618 x 528		1 812 x 635 x 460		1 812 x 339 x 250			
Poids (sans la protection plastique et l'outil de coupe) kg			8,6		8,3		7,9			
Volume (réservoir de carburant) L			0,6							
Volume (réservoir d'huile) L			0,1							
Déplacement du moteur cm ³			43,0							
Performances maximales du moteur kW			1,5 à 7 500 min ⁻¹							
Vitesse du moteur à la vitesse max. recommandée de l'axe min ⁻¹			10 500							
Vitesse maximale de l'axe (correspondant) min ⁻¹			7 200							
Ralenti min ⁻¹			3 000							
Vitesse d'engagement de l'embrayage min ⁻¹			4 000							
Carburateur			Type de diaphragme							
Système d'allumage			De type aimant sans contact							
Bougie d'allumage type			NGK CMR6A							
Distance entre les électrodes mm			Entre 0,7 et 0,8							
			LAME DE COUPE	TÊTE À FIL DE NYLON	LAME DE COUPE	TÊTE À FIL DE NYLON	LAME DE COUPE	TÊTE À FIL DE NYLON		
Vibrations selon la norme ISO 22867	Poignée droite (Prise arrière)	$a_{hv\ eq}$ m/s ²	2,2	2,1	3,1	3,5	4,2	2,6		
		Incertitude K m/s ²	0,5	0,6	0,5	0,8	1,1	0,7		
	Poignée gauche (Prise avant)	$a_{hv\ eq}$ m/s ²	1,7	2,0	4,8	4,0	3,8	3,7		
		Incertitude K m/s ²	0,5	0,5	2,9	0,9	1,0	1,4		
Niveau moyen de pression sonore selon la norme ISO 22868			$L_{PA\ eq}$ dBA	92,4	96,2	91,2	96,1	92,8	94,9	
			Incertitude K dBA	1,8	2,0	2,2	1,6	1,6	2,1	
Niveau moyen de puissance sonore selon la norme ISO 22868			$L_{WA\ eq}$ dBA	101,8	108,9	103,1	109,1	103,4	107,7	
			Incertitude K dBA	1,8	1,4	1,1	1,1	1,5	1,2	
Carburant			Essence automobile							
Huile moteur			Huile de classe API, classe SF ou supérieure ou huile SAE 10W-30 (huile moteur 4 temps pour automobile)							
Outils de coupe (diamètre de la lame de coupe) mm			305 (avec trois lames)							
Rapport de vitesse			13/19							

NOMENCLATURE DES PIÈCES

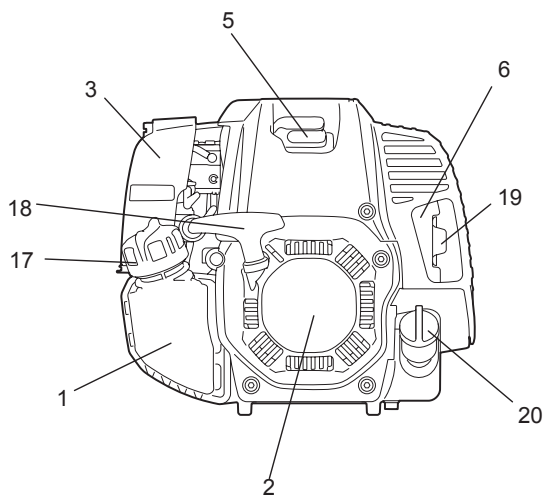
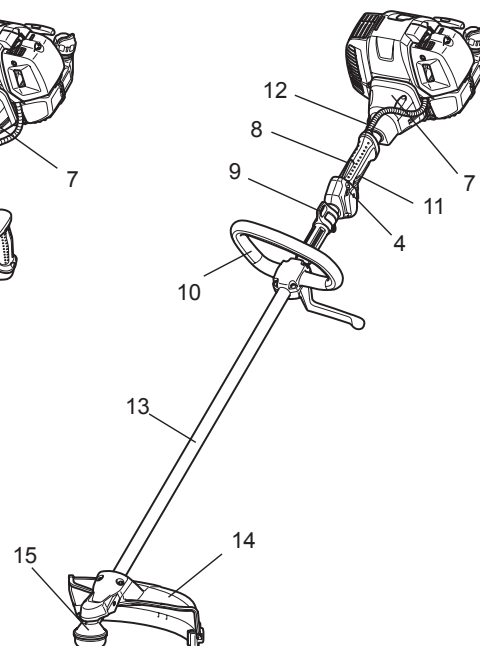
EM4351UH



EM4350UH



EM4350LH



F	NOMENCLATURE DES PIÈCES
1	Réservoir de carburant
2	Démarrreur
3	Filtre à air
4	Interrupteur I-O et de verrouillage de l'accélérateur (marche/arrêt)
5	Bougie d'allumage
6	Pot d'échappement
7	Carter d'embrayage
8	Prise arrière
9	Crochet de suspension
10	Poignée
11	Levier d'accélération
12	Câble de contrôle
13	Arbre
14	Dispositif de protection (protège-lame de l'outil de coupe)
15	Carter d'engrenages/ Carter de protection pour tête
16	Support de poignée
17	Bouchon du réservoir de carburant
18	Bouton de démarrage
19	Tuyau d'échappement
20	Bouchon d'huile

MONTAGE DE LA POIGNÉE

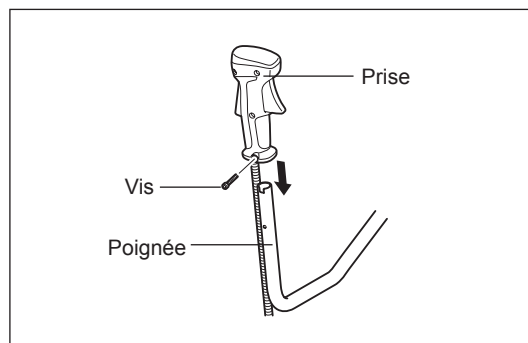
ATTENTION : Avant d'effectuer un travail quelconque sur l'outil, arrêtez toujours le moteur et débranchez le connecteur des bougies.
Portez toujours des gants de protection !

ATTENTION : Ne démarrez le moteur qu'après l'avoir monté complètement.



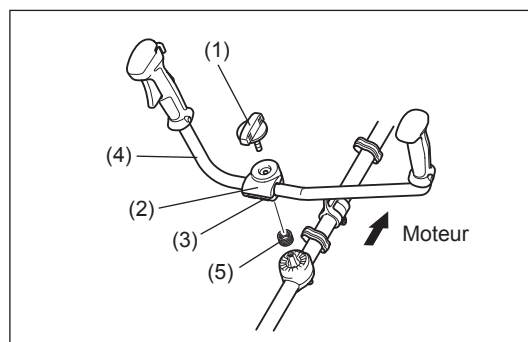
Pour les modèles EM4351UH, EM4350UH

Insérez l'arbre de la poignée dans la prise comme illustré.
Alignez l'orifice de la vis de la prise sur celui de l'arbre.
Serrez à fond la vis.



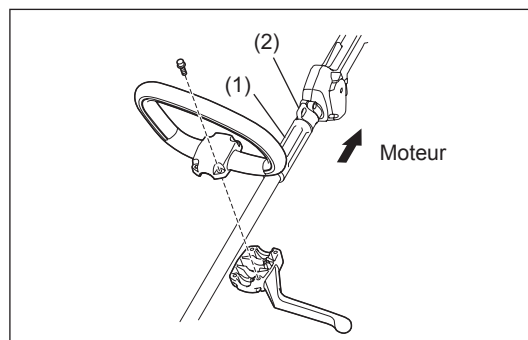
- Dévissez le bouton (1).
- Placez la poignée (4) entre le boulon de serrage de la poignée (2) et le support de poignée (3).
- Réglez la poignée (4) selon un angle permettant une position de travail confortable, puis serrez fermement le bouton à la main (1).

ATTENTION : N'oubliez d'insérer le ressort (5).



Pour le modèle EM4350LH

- Fixez la poignée fermée sur l'arbre à l'aide de quatre vis.
- Pour maintenir une distance appropriée entre les prises, placez l'entretoise (1) entre la poignée fermée et le crochet de suspension (2).



MONTAGE DU DISPOSITIF DE PROTECTION

Pour satisfaire aux règles de sécurité en vigueur, utilisez uniquement l'outil/le dispositif de protection comme indiqué dans le tableau.



Utilisez toujours des lames métalliques (y compris des lames de scie et des lames de coupe) ou des têtes à fil de nylon d'origine MAKITA.

- La lame métallique doit être bien affûtée et dépourvue de fissures et de cassures. Si la lame métallique heurte une pierre durant l'utilisation, arrêtez le moteur et vérifiez immédiatement la lame.
- Affûtez ou remplacez la lame métallique toutes les trois heures de fonctionnement.
- Si la tête à fil de nylon heurte une pierre durant l'utilisation, arrêtez le moteur et vérifiez la tête à fil de nylon immédiatement.

ATTENTION : Il faut toujours installer les dispositifs de protection appropriés pour votre propre sécurité et afin de vous conformer aux règlements relatifs aux préventions des accidents.

Il est interdit d'utiliser l'outil lorsque la protection n'est pas en place.

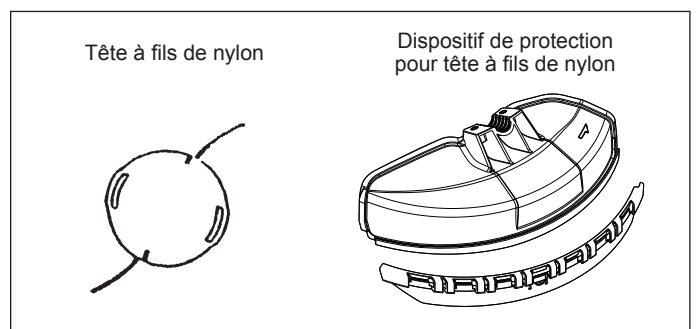
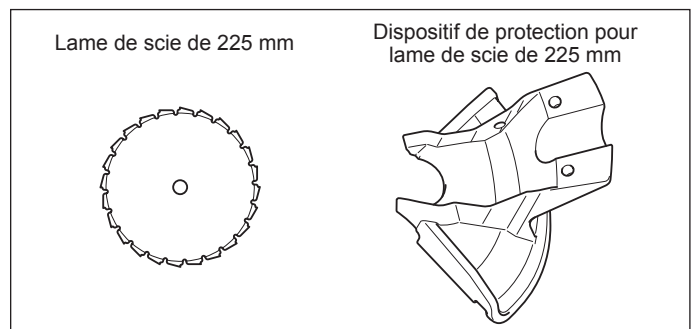
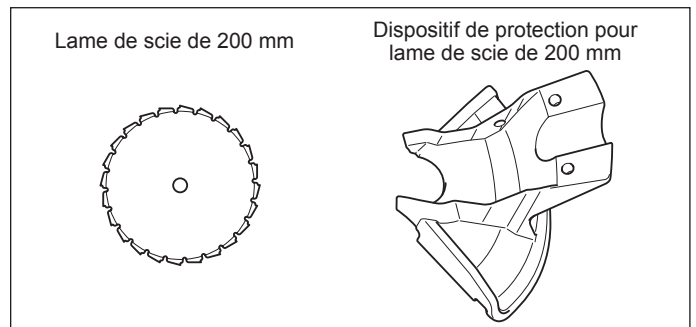
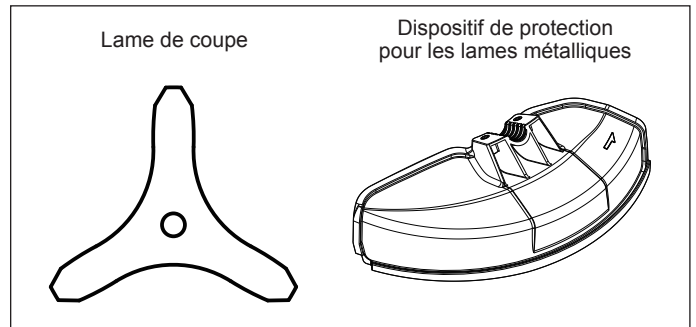
Le diamètre extérieur de la lame de coupe doit être de 300 mm au maximum. N'utilisez jamais de lames dont le diamètre extérieur est supérieur à 300 mm.

Utilisez le dispositif de protection de lame de scie de 200 mm uniquement lorsque vous utilisez une lame de scie de 200 mm.

Utilisez le dispositif de protection de lame de scie de 225 mm uniquement lorsque vous utilisez une lame de scie de 225 mm.

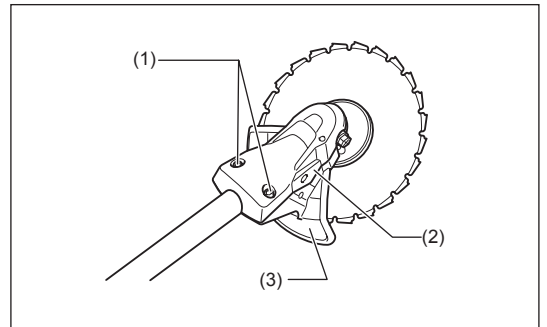
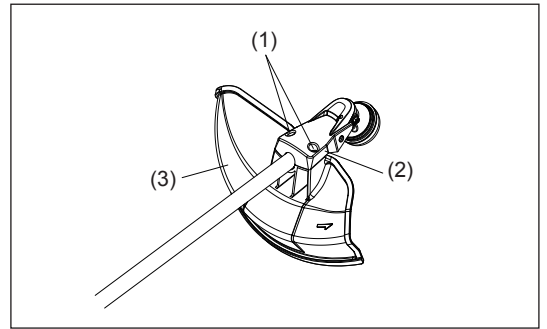
N'utilisez pas une autre combinaison lors de l'utilisation de la lame de scie.

REMARQUE : La combinaison standard de l'outil de coupe varie d'un pays à l'autre.



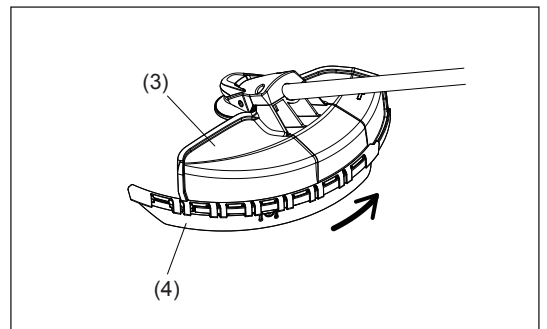
- Pour utiliser la lame métallique, fixez le dispositif de protection (3) à la rondelle de serrage (2) avec deux boulons (1).

REMARQUE : Serrez les boulons de gauche et de droite de manière égale, afin que l'espace entre la rondelle (2) et le dispositif de protection (3) soit constant.
Dans le cas contraire, le dispositif de protection risque parfois de ne pas fonctionner comme indiqué.

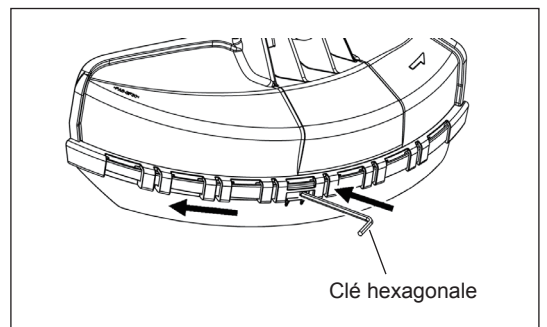


- Pour l'utilisation du fil de nylon, veillez à fixer le dispositif de protection du fil de nylon (4) dans le dispositif de protection de la lame métallique (3).
- Installez le dispositif de protection du fil de nylon (4) en la faisant glisser par le flanc du dispositif de protection de la lame métallique (3) comme illustré.
- Retirez l'adhésif collé à la lame, qui coupe le fil de nylon ou le dispositif de protection du fil de nylon (4).

ATTENTION : Veillez à ce que le dispositif de protection du fil de nylon (4) soit entièrement inséré.
Veillez à ne pas vous blesser sur la lame en coupant le fil de nylon.



- Pour retirer le dispositif de protection du fil de nylon (4), placez une clé hexagonale dans l'entaille du dispositif de protection de la lame métallique (3), enfoncez-la tout en faisant glisser le dispositif de protection du fil de nylon (4).



MONTAGE DE LA LAME MÉTALLIQUE OU DE LA TÊTE À FIL DE NYLON

Utilisez toujours des lames métalliques et une tête à fil de nylon d'origine MAKITA.

- La lame métallique doit être bien affûtée et dépourvue de fissures et de cassures. Si la lame métallique heurte une pierre durant l'utilisation, arrêtez le moteur et vérifiez immédiatement la lame.
- Affûtez ou remplacez la lame métallique toutes les trois heures de fonctionnement.
- Si la tête à fil de nylon heurte une pierre durant l'utilisation, arrêtez le moteur et vérifiez la tête à fil de nylon immédiatement.

ATTENTION : Il faut toujours installer les dispositifs de protection appropriés pour votre propre sécurité et afin de vous conformer aux règlements relatifs aux préventions des accidents. Il est interdit d'utiliser l'outil lorsque la protection n'est pas en place.

Le diamètre extérieur de la lame de coupe doit être de 300 mm au maximum. N'utilisez jamais de lames dont le diamètre extérieur est supérieur à 300 mm.

Tournez l'appareil la tête en bas pour pouvoir remplacer la lame métallique ou la tête à fil de nylon facilement.

- Insérez la clé hexagonale à travers le trou dans le carter d'engrenage et tournez la rondelle de réception (4) jusqu'à ce qu'elle soit verrouillée avec la clé hexagonale.
- Desserrez l'écrou (1) (filetage gauche) avec la clé à douille, et enlevez l'écrou (1), la bague (2) et la rondelle de serrage (3).

Montage de la lame métallique avec la clé hexagonale encore en position

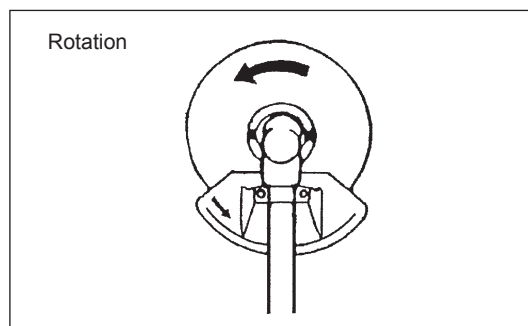
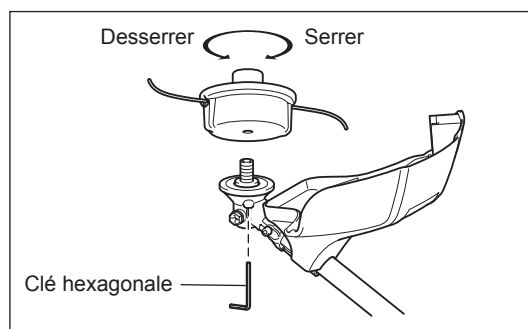
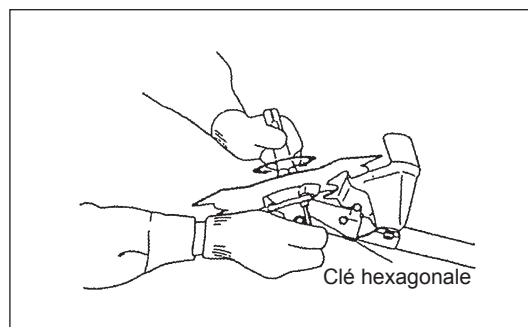
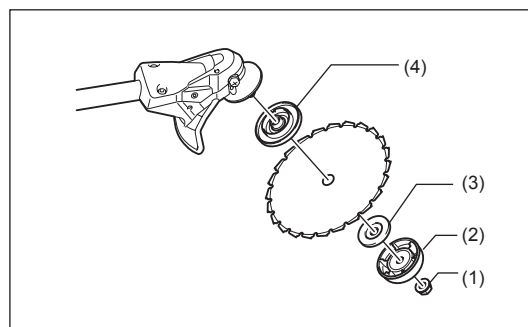
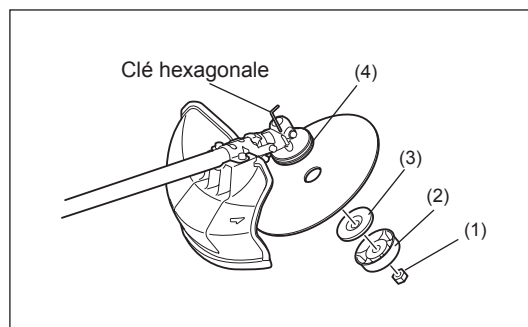
- Montez la lame métallique sur l'arbre, de sorte que le guide de la rondelle de réception (4) s'ajuste dans l'orifice de l'arbre dans la lame métallique. Installez la rondelle de serrage (3) et la bague (2), puis fixez la lame métallique avec l'écrou (1).
[Couple de serrage : 20 - 30 N-m]

REMARQUE : Portez toujours des gants quand vous maniez la lame métallique.

REMARQUE : L'écrou de fixation de la lame métallique (avec la rondelle à ressort) est une pièce à changer périodiquement. S'il apparaît de l'usure ou des déformations sur la rondelle élastique (à ressort), remplacez l'écrou.

Montage de la tête à fil de nylon

- La rondelle de serrage (3), la bague (2) et l'écrou (1) ne sont pas nécessaires pour le montage de la tête à fil en nylon. La tête à fil en nylon devrait aller sur le haut de la rondelle de réception (4).
- Insérez la clé hexagonale à travers le trou dans le carter d'engrenage et tournez la rondelle de réception (4) jusqu'à ce qu'elle soit verrouillée avec la clé hexagonale.
- Vissez ensuite la tête à fil de nylon dans l'arbre en la tournant dans le sens antihoraire.
- Retirez la clé hexagonale.



AVANT DE COMMENCER

Inspection et remplissage de l'huile moteur

- Lorsque le moteur est froid, procédez comme suit.
- Assurez-vous que le moteur se trouve sur une surface horizontale plane et vérifiez que le niveau d'huile est compris entre la limite inférieure et supérieure de l'indicateur d'huile.
- Si le niveau d'huile est inférieur à la limite inférieure, retirez le bouchon d'huile et ajoutez de l'huile.
- La zone proche des repères externes est transparente, dont la quantité d'huile à l'intérieur peut être vérifiée sans qu'il soit nécessaire de retirer le bouchon d'huile. Toutefois, si le tuyau d'huile devient extrêmement encrassé, vous risquez d'avoir une mauvaise visibilité et de devoir vérifier le niveau d'huile par rapport à la section décrochée sur l'intérieur du tuyau d'huile.
- Il peut s'avérer nécessaire de procéder au remplissage d'huile toutes les 10 heures de fonctionnement (tous les 10 pleins). Si l'huile change de couleur ou contient de la saleté, remplacez-la. (Pour la fréquence et la méthode de vidange, référez-vous à la page 48.)

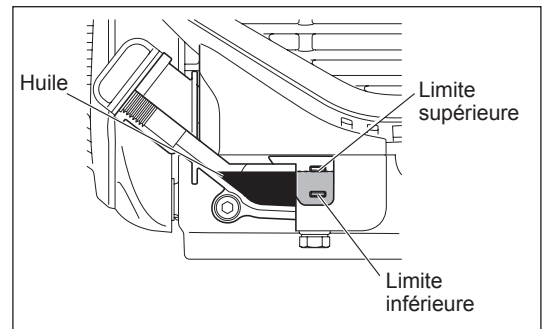
Huile recommandée : Huile SAE 10W-30 de classe API, Classe SF ou supérieure (moteur 4 temps pour automobile)

Volume d'huile : environ 0,10 L

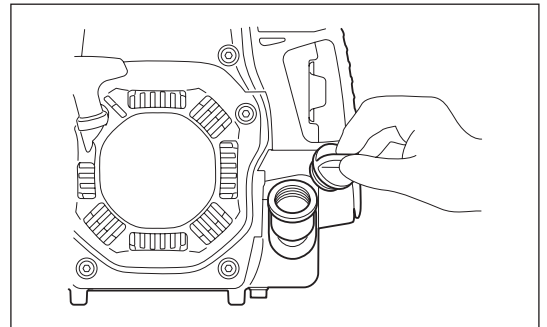
REMARQUE : Si le moteur n'est pas positionné comme illustré sur une surface horizontale, une indication incorrecte du niveau d'huile peut apparaître et l'huile déborder. Le fait de dépasser la limite supérieure lors du remplissage d'huile peut entraîner une contamination de l'huile et/ou de la fumée blanche.

Remplacement de l'huile : « bouchon d'huile »

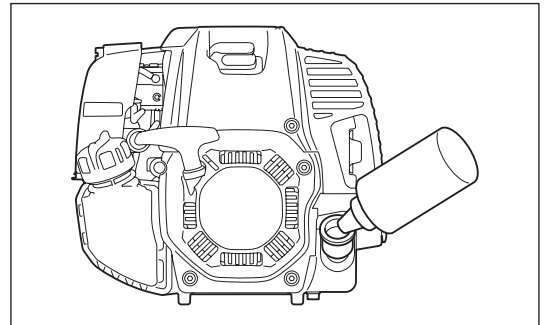
- Retirez la poussière ou les saletés entourant l'orifice du réservoir d'huile, puis retirez le bouchon d'huile.
- Veillez à ce que le bouchon d'huile n'entre pas en contact avec du sable ou de la poussière. Dans le cas contraire, les impuretés adhérant au bouchon d'huile pourraient empêcher la bonne circulation de l'huile ou abîmer des pièces du moteur, provoquant des problèmes.



- (1) Gardez le moteur à plat et enlevez le bouchon d'huile.



- (2) Remplissez d'huile jusqu'au repère de limite supérieure. Utilisez une bouteille d'huile lors du remplissage.



- (3) Vissez fermement le bouchon d'huile. Un vissage insuffisant pourrait provoquer une fuite d'huile.

Remarque

- Ne remplacez pas l'huile lorsque le moteur est en position inclinée.
- Le remplissage d'huile avec le moteur incliné risque de provoquer un remplissage trop important, entraînant la contamination de l'huile et/ou de la fumée blanche.

Après le remplissage d'huile

- Essuyez immédiatement avec un chiffon l'huile qui s'est déversée.

RAVITAILLEMENT EN CARBURANT

Manipulation du carburant

Veillez à manipuler le carburant avec la plus grande prudence. Il peut contenir des substances similaires aux solvants. Pour faire le plein, placez-vous dans une pièce suffisamment ventilée ou à l'extérieur. N'inhalez jamais les vapeurs de carburant et restez à distance du carburant. En cas de contact répété ou prolongé de votre peau avec du carburant, elle peut se dessécher, entraînant des maladies de peau ou des allergies. En cas de contact du carburant avec un œil, rincez celui-ci à l'eau claire. Si votre œil reste irrité, consultez votre médecin.

Durée de stockage du carburant

Le carburant doit être utilisé dans les 4 semaines, même s'il est conservé dans un bidon spécial dans un endroit ombragé et bien ventilé. Dans le cas contraire, le carburant risque de se détériorer en une journée.

STOCKAGE DE LA MACHINE ET REMPLISSAGE DU RÉSERVOIR

- Conservez la machine et le réservoir dans un endroit frais et abrité des rayons directs du soleil.
- Ne conservez jamais de carburant dans un véhicule.

Carburant

Le moteur est un moteur à quatre temps. Veillez à utiliser de l'essence automobile sans plomb à indice d'octane 87 ou supérieur ((R+M)/2). Elle peut contenir 10 % d'alcool au maximum (E-10).

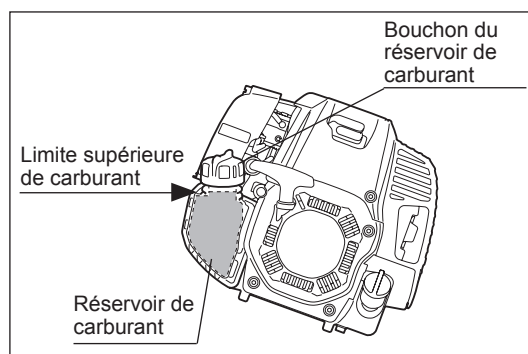
Avertissements concernant le carburant

- N'utilisez jamais de mélange de carburant contenant de l'huile moteur. Cela pourrait créer une accumulation excessive de carbone ou des pannes mécaniques.
- L'utilisation d'huile détériorée peut provoquer des démarrages irréguliers du moteur.

Ravitaillement en carburant

AVERTISSEMENT : Avant de remplir le réservoir de carburant, coupez le moteur, éloignez-le des flammes nues et ne fumez pas.

- Desserrer légèrement le bouchon du réservoir pour libérer la pression de celui-ci.
 - Retirez le bouchon du réservoir et remplissez le réservoir de carburant en l'inclinant de manière à en chasser l'air, l'orifice dirigé vers le haut. NE remplissez PAS le réservoir de carburant jusqu'au bord.
 - Essuyez bien l'extérieur du bouchon du réservoir pour éviter l'introduction de débris dans le réservoir de carburant.
 - Après avoir fait le plein, serrez à fond le bouchon du réservoir.
- En cas de défaut ou de dommages au niveau du bouchon du réservoir, remplacez-le.
 - Au fil du temps, le bouchon du réservoir s'use. Remplacez-le tous les deux à trois ans.
 - NE versez PAS de carburant dans l'orifice de remplissage d'huile.



MANIEMENT CORRECT DE LA MACHINE

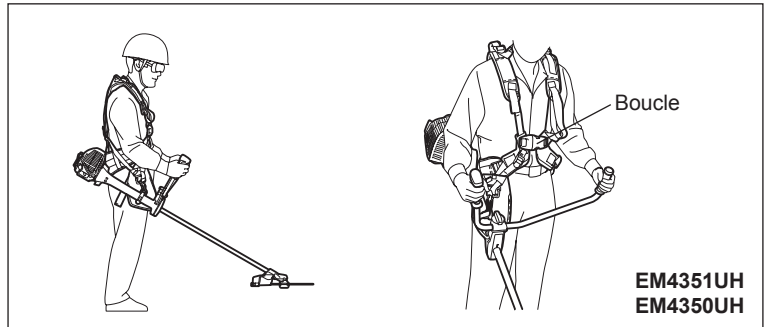
Fixation du harnais de sécurité

- Réglez la longueur de sangle de sorte que la lame métallique soit maintenue parallèle au sol.

Pour les modèles EM4351UH, EM4350UH

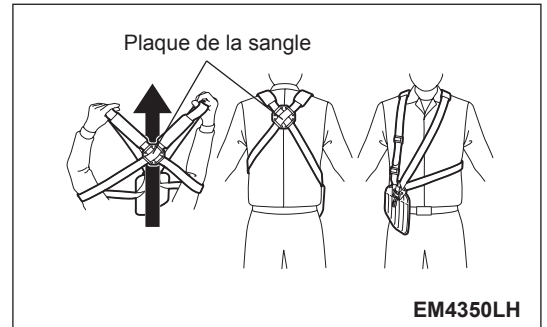
Tenez le harnais sur votre dos, fixez-le avec la boucle et réglez la longueur des sangles.

REMARQUE : Veillez à ne pas coincer vos vêtements, etc., dans la boucle.



Pour EM4350LH

- 1) Tenez-vous debout lorsque la plaque de la sangle est plus près de votre corps. Puis passez vos bras et votre tête à travers la sangle.
- 2) La plaque de la sangle repose sur votre dos et les dispositifs de réglage ainsi que le crochet se placent sur le côté droit de votre corps lorsque vous équipez correctement le harnais.



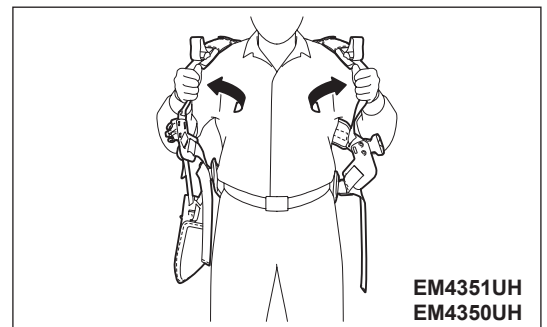
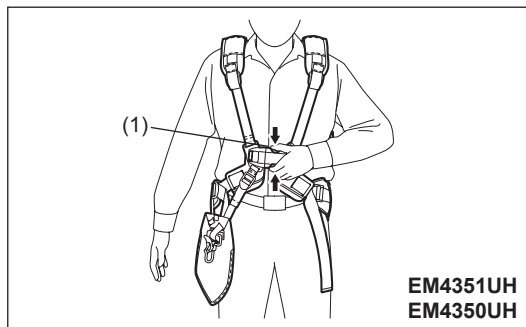
Retrait de l'appareil

Pour les modèles EM4351UH, EM4350UH

- Pour retirer l'appareil, pressez les côtés de la boucle (1) et retirez le harnais de sécurité.

Faites très attention de conserver le contrôle de la machine à ce moment-là. Ne laissez pas la machine être déviée vers vous ou vers quelqu'un qui se trouve à proximité du lieu de travail.

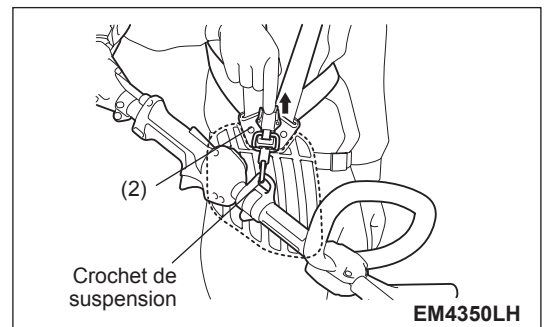
AVERTISSEMENT : En perdant le contrôle de la machine, vous risquez de provoquer des blessures corporelles graves ou la MORT.



Pour EM4350LH

- Pour retirer l'appareil, défaites le levier de retrait d'urgence (2) en tirant fortement dessus avec les doigts. Faites très attention de conserver le contrôle de la machine à ce moment-là. Ne laissez pas la machine être déviée vers vous ou vers quelqu'un qui se trouve à proximité du lieu de travail.

AVERTISSEMENT : En perdant le contrôle de la machine, vous risquez de provoquer des blessures corporelles graves ou la MORT.



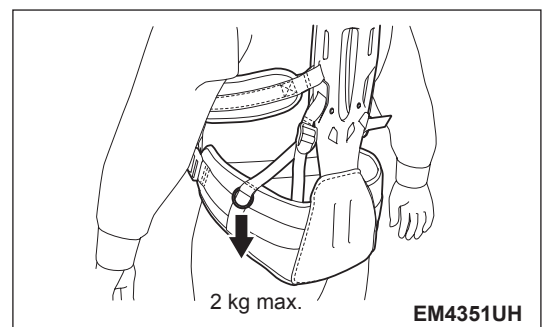
Anneau de suspension

Pour EM4351UH

- Vous pouvez utiliser l'anneau pour suspendre des objets d'un poids inférieur à 2 kg.

NOTE : Ne suspendez aucun objet qui pèse plus de 2 kg sur l'anneau. Si vous suspendez un objet plus lourd à l'anneau, ce dernier risque de tomber et l'objet d'être endommagé.

ATTENTION : Ne suspendez à l'anneau aucun objet susceptible de s'accrocher aux buissons ou petits arbustes. Vous risqueriez de perdre l'équilibre et la maîtrise de l'outil, provoquant des blessures corporelles.



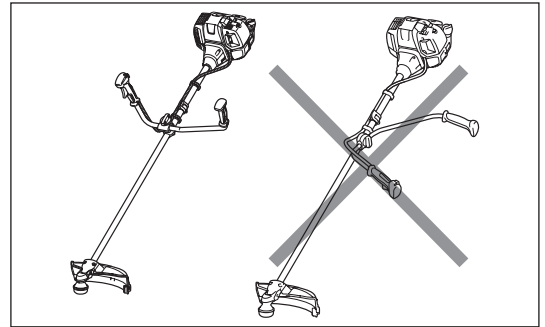
AVERTISSEMENTS CONCERNANT LE FONCTIONNEMENT ET LA PROCÉDURE D'ARRÊT

Respectez les réglementations en vigueur en matière de prévention des accidents !



Avant de démarrer le moteur, réglez toujours la poignée en position appropriée.

Dans le cas contraire, l'outil de coupe risque de tourner brusquement et d'entraîner des blessures, car le câble d'accélération pourrait être tiré ou plié et ainsi entraîner l'accélération de l'outil.

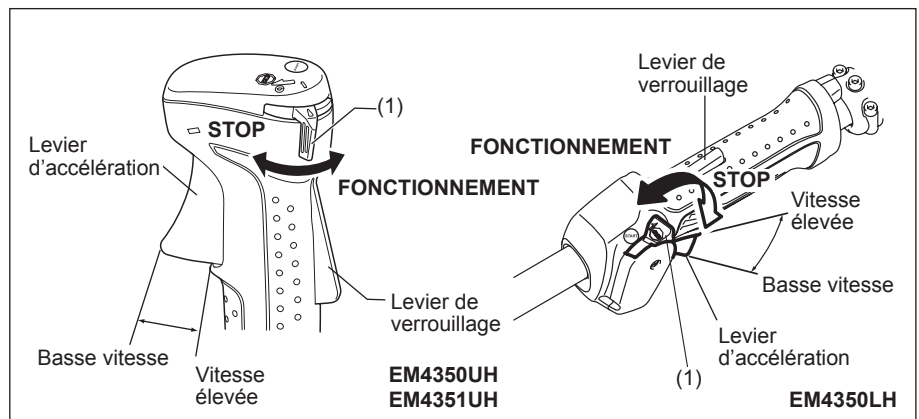


DÉMARRAGE

Éloignez-vous d'au moins 3 mètres de l'endroit où vous avez procédé au ravitaillement en carburant. Placez l'appareil au sol en veillant à ce que l'outil de coupe n'entre pas en contact avec le sol ou tout autre objet.

A : Démarrage à froid

- 1) Déposez la machine sur une surface plane.
- 2) Réglez l'interrupteur I-O (1) sur FONCTIONNEMENT.

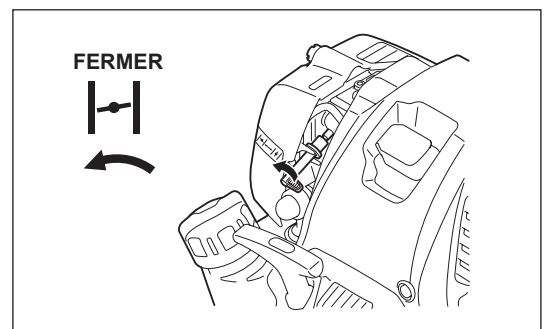


- 3) Levier de l'étrangleur

Fermez le levier de l'étrangleur.

Ouverture de l'étrangleur :

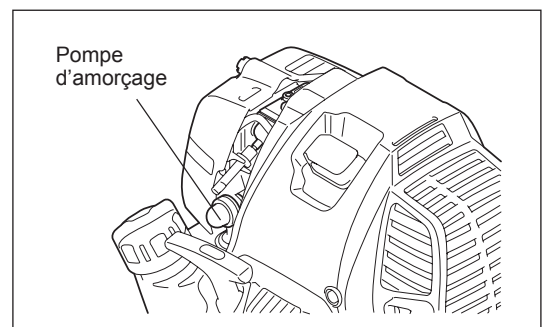
- Complètement fermé par temps froid ou lorsque le moteur est froid.
- Complètement ou à moitié ouvert si le moteur est un peu chaud, par exemple lors du redémarrage du moteur juste après un arrêt ou lors d'une opération de chauffage.



- 4) Pompe d'amorçage

Continuez à appuyer sur la pompe d'amorçage jusqu'à ce que le carburant pénètre à l'intérieur de celle-ci. (En général, 7 à 10 pressions sont nécessaires.)

Si vous appuyez trop sur la pompe d'amorçage, un surplus de carburant retourne au réservoir de carburant.



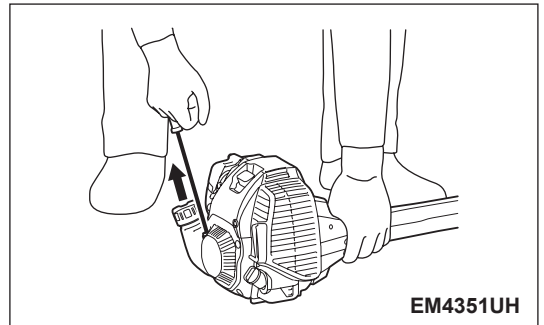
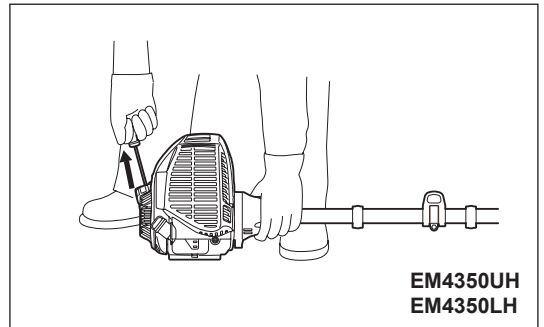
5) Démarreur

Veillez à toujours avoir une bonne position d'équilibre.
Tenez l'appareil avec votre main gauche et appuyez fermement dessus.

ATTENTION : Ne montez pas et ne vous agenouillez pas sur le câble d'accélérateur. Le câble interne pourrait être tiré et l'outil de coupe commencer à tourner involontairement.
N'accélérez pas.

Tirez doucement sur le bouton du démarreur jusqu'à ce que vous sentiez une certaine résistance. Ensuite, repoussez le bouton du démarreur, puis tirez-le fortement.

Ne tirez jamais entièrement la corde. Une fois le bouton du démarreur tiré, n'enlevez jamais votre main immédiatement. Tenez le bouton du démarreur jusqu'à ce qu'il retourne à sa position initiale.



6) Levier de l'étrangleur

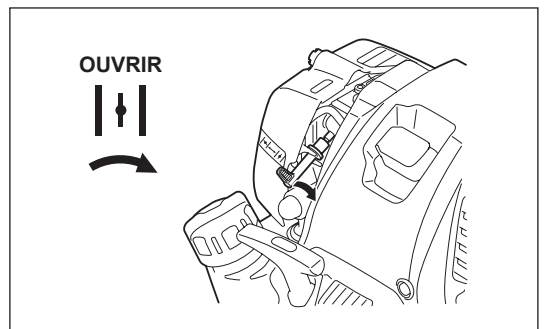
Lorsque le moteur démarre, réglez le levier d'étrangleur en position OUVRIR.

- Ouvrez le levier de l'étrangleur progressivement, tout en vérifiant le fonctionnement du moteur. Assurez-vous de finir par l'ouvrir à fond.
- Par temps froid ou lorsque le moteur est froid, n'ouvrez jamais le levier de l'étrangleur de manière soudaine. Sinon, le moteur risque de caler.

7) Opération de chauffage

Continuez à faire chauffer le moteur pendant 2 à 3 minutes.

NOTE : Ne tirez pas inutilement sur le levier d'accélération lorsque le moteur ne tourne pas. Cela pourrait entraîner une fuite de carburant dans le filtre à air. Dans ce cas, essayez le carburant qui a coulé. Ouvrez également le capot du filtre à air et nettoyez l'élément ainsi que le plateau du filtre à air.



REMARQUE :

- Ne tirez pas inutilement sur le levier d'accélération lorsque le moteur ne tourne pas. Vous risqueriez de noyer le moteur et d'entraîner des difficultés de démarrage du moteur.
- En cas de débordement du carburant, retirez la bougie et tirez la poignée de démarrage lentement pour retirer l'excès de carburant. Séchez également l'électrode de la bougie.
- Si le moteur démarre et s'arrête ou s'arrête peu de temps après avoir démarré, remplacez le levier d'étrangleur en position OUVRIR et tirez à nouveau plusieurs fois sur le bouton de démarrage pour démarrer le moteur.
- Si le levier d'étrangleur est maintenu en position FERMER et si le bouton de démarrage est enfoncé plusieurs fois, une quantité trop importante de carburant sera aspirée et le démarrage du moteur deviendra difficile.
- Ne faites pas tourner le moteur à vitesse élevée inutilement lors de l'opération de chauffage.

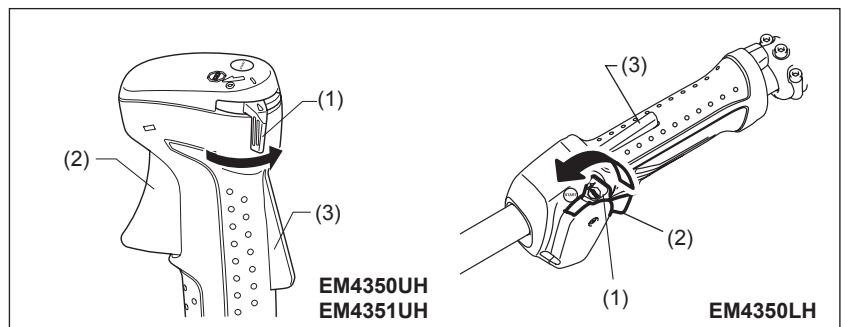
B : Démarrage à chaud

- 1) Maintenez le levier de l'étrangleur entièrement ouvert.
- 2) Appuyez plusieurs fois sur la pompe d'amorçage.
- 3) Laissez le levier d'accélération en position de ralenti.
- 4) Tirez avec force sur le démarreur.
- 5) S'il est difficile de démarrer le moteur, relâchez le levier de verrouillage (3), tirez sur le levier d'accélération (2) et déplacez l'interrupteur I-O (1) en position de verrouillage de l'accélérateur.

Tout en maintenant l'interrupteur I-O (1), relâchez le levier d'accélération (2) et le levier de verrouillage (3). Tirez ensuite sur le bouton du démarreur.

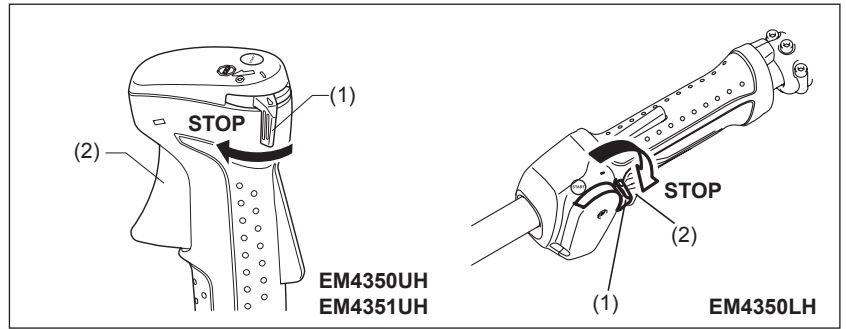
AVERTISSEMENT : Veillez à ce que l'outil de coupe tourne immédiatement.

- 6) Une fois que le moteur démarre, relâchez le levier de verrouillage (3) et tirez sur le levier d'accélération (2) et relâchez-les pour faire tourner le moteur au ralenti.



ARRÊT

- 1) Relâchez entièrement le levier d'accélération (2) et lorsque la vitesse de rotation du moteur a diminué, placez l'interrupteur I-O (1) en position STOP pour couper le moteur.
- 2) L'outil de coupe continue à tourner quelques instants une fois le moteur coupé. Attendez jusqu'à ce qu'il s'arrête complètement.

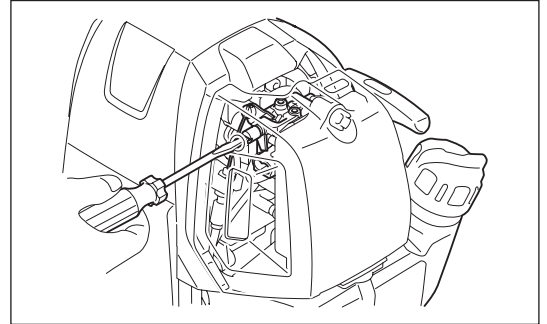


RÉGLAGE DU RALENTI

Lorsque cela est nécessaire, réglez le ralenti à l'aide de la vis de réglage du carburateur.

VÉRIFICATION DU RALENTI

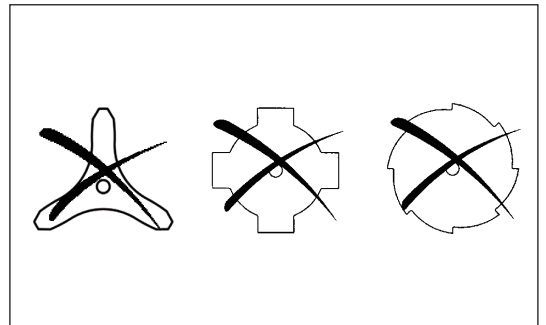
- Réglez le ralenti sur 3 000 min⁻¹.
S'il s'avère nécessaire de changer le ralenti, placez un tournevis cruciforme sur la vis, comme illustré à droite.
- Pour augmenter le ralenti, tournez la vis de réglage dans le sens horaire.
Pour diminuer le ralenti, tournez la vis de réglage dans le sens antihoraire.
- Le carburateur est réglé en usine. Toutefois, après plusieurs utilisations le ralenti doit de nouveau être réglé.



RÉAFFÛTAGE DE L'OUTIL DE COUPE

ATTENTION : Les outils de coupe présentés sur l'illustration ne doivent pas être affûtés. Un réaffûtage manuel entraînera des déséquilibres de la lame de coupe, qui causeront des vibrations et des dommages à l'équipement.

REMARQUE : Pour augmenter la durée de vie de la lame de coupe, vous pouvez la retourner une fois, jusqu'à ce que les deux bords de coupe soient émoussés.



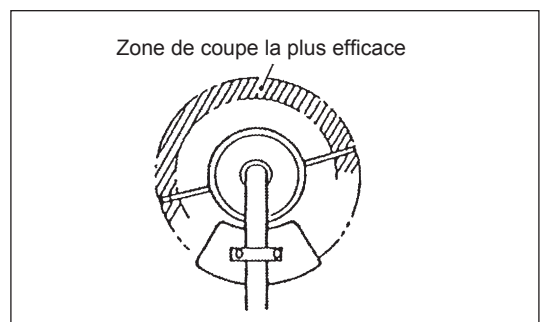
TÊTE A FIL DE NYLON

La tête à fils de nylon est une tête de taille-bordures double équipée d'un mécanisme d'alimentation semi-automatique par frappe au sol.

La tête à fil en nylon alimentera en sortie la longueur correcte de fils en nylon si vous tapez la tête à fils de nylon au sol, en raison des modifications des forces centrifuges provoquées par l'augmentation ou la diminution du régime moteur.

Fonctionnement

- Augmentez la vitesse de la tête à fil en nylon à 6 000 min⁻¹ environ.
Heurtez légèrement la tête à fil de nylon au sol.
- La zone de coupe la plus efficace est indiquée par des hachures.
- Si le fil en nylon ne s'enroule pas, rembobinez/remplacez le fil en nylon en suivant les procédures décrites sous « Remplacement du fil de nylon ».



Remplacement du fil de nylon (HEURTER ET ALIMENTER)

AVERTISSEMENT : Assurez-vous que le couvercle de la tête à fils de nylon est correctement fixé au boîtier, comme décrit ci-dessous. Si le couvercle n'est pas correctement fixé, la tête à fils de nylon risque de se détacher et provoquer des blessures graves.

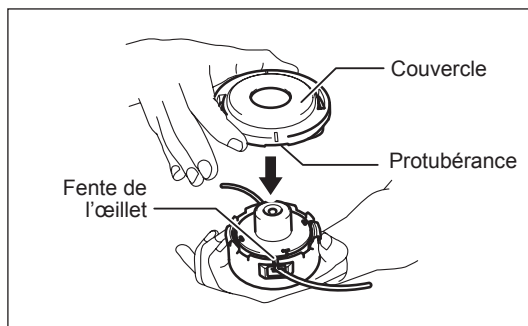
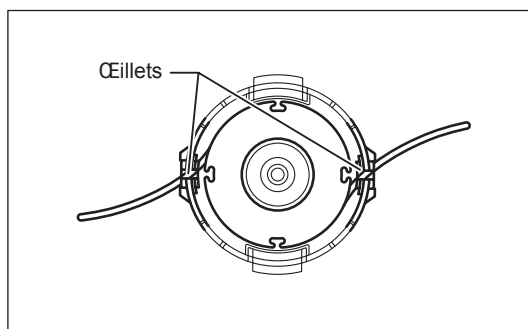
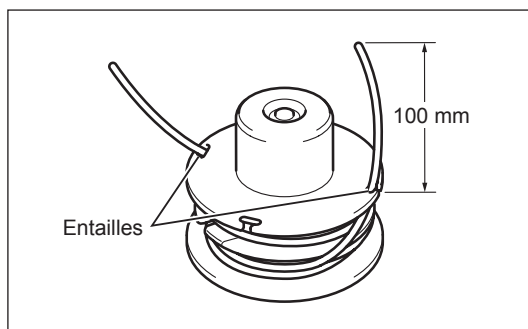
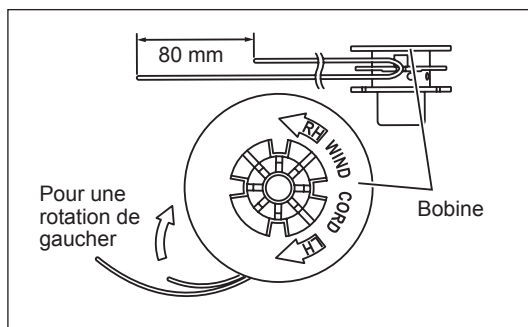
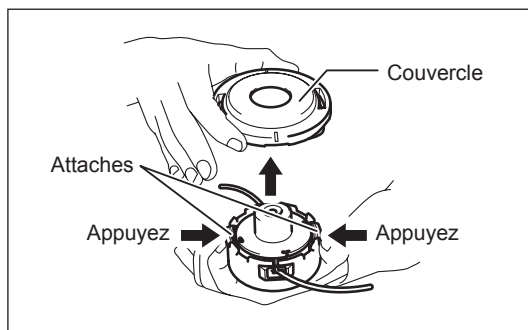
Enfoncez les attaches du boîtier et soulevez-le pour retirer le couvercle. Débarrassez-vous du fil de nylon restant.

Insérez le milieu du nouveau fil de nylon dans l'entaille située au centre de la bobine entre les 2 canaux destinés au fil de nylon. L'un des côtés du fil doit être plus long que l'autre d'environ 80 mm. Enroulez bien les deux extrémités sur la bobine dans le sens indiqué sur la tête pour le sens de gaucher indiqué par LH.

Embobinez tout le fil sauf environ 100 mm, en laissant les extrémités temporairement accrochées à travers l'entaille sur le côté de la bobine.

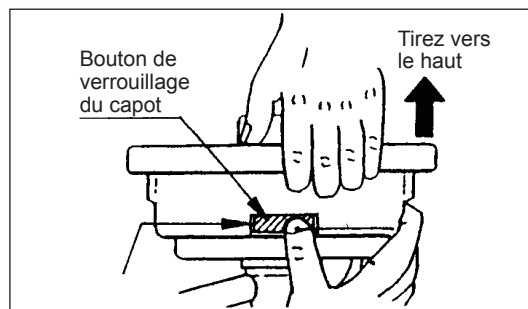
Montez la bobine dans le bloc afin que ses rainures et protubérances soient alignées avec celles du bloc. Placez la bobine en dirigeant vers le haut le côté contenant des lettres. Ensuite, décrochez les extrémités du fil de son emplacement temporaire et glissez les fils à travers les œillets pour qu'ils sortent du boîtier.

Alignez la protubérance sur le dessous du couvercle avec la fente de l'œillet. Poussez ensuite fermement le capot pour qu'il s'enclenche dans le bloc. Assurez-vous que les attaches se déploient bien sur le couvercle.

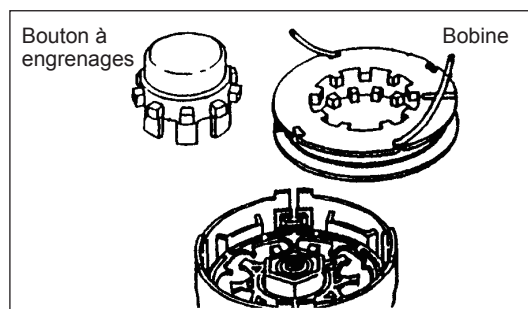


Remplacement du fil de nylon (ULTRA AUTOMATIQUE)

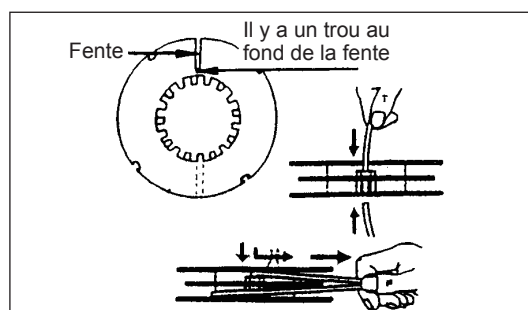
1. Enlevez le capot de son logement en appuyant sur les deux boutons de verrouillage du capot situés de part et d'autre du bloc.



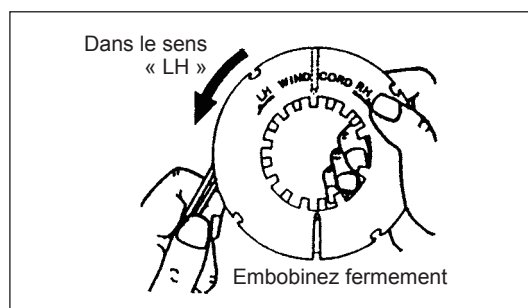
2. Ôtez le bouton à engrenages et la bobine du bloc.



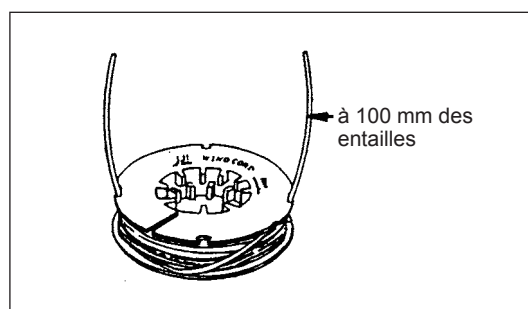
3. Placez chacune des deux extrémités du fil de coupe dans un trou situé au fond de la fente sur l'un des rebords extérieurs de la bobine. Placez les fils dans les gouttières de la bobine à travers chaque fente des rebords.



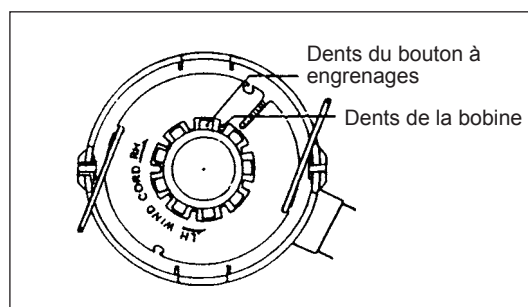
4. Tournez fermement les fils dans le sens indiqué par la flèche LH (gaucher) sur le rebord. Ne croisez pas les fils.



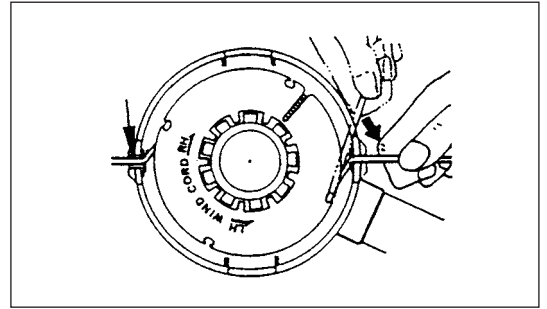
5. Embobinez tout sauf environ 100 mm de fil, en laissant les extrémités temporairement accrochées à travers l'entaille sur le côté de la bobine.



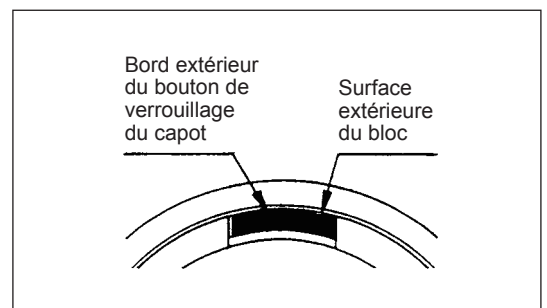
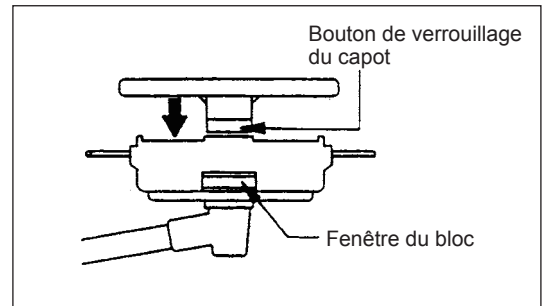
6. Placez le bouton à engrenages dans le compartiment du bloc, et positionnez-le pour qu'il puisse monter et descendre sous la pression du ressort. Remplacez la bobine dans le bloc en alignant les dents de la bobine et du bouton d'engrenages afin qu'ils s'emboîtent.



7. Faites passer les fils de coupe à travers la fente des œillets.



8. Placez le capot dans le bloc en alignant les boutons de verrouillage du capot sur les fentes du bloc. Assurez-vous que le capot est solidement en place dans le bloc. Le bord extérieur du bouton de verrouillage du capot et la surface du bloc doivent former un alignement.



INSTRUCTIONS D'ENTRETIEN

ATTENTION : Avant tout travail sur l'appareil, arrêtez toujours le moteur et débranchez le connecteur des bougies (voir « Vérification de la bougie »).

Portez toujours des gants de protection !

Afin d'assurer une longue durée de vie et éviter d'endommager le matériel, effectuez régulièrement les opérations d'entretien suivantes.

Vérification et entretien journaliers

- Avant utilisation, vérifiez qu'il ne manque aucune pièce et que les vis sont bien serrées. Faites tout particulièrement attention au serrage de la lame métallique et de la tête à fil de nylon.
- Avant l'utilisation, vérifiez que les fentes de refroidissement à air et des cylindres ne sont pas bouchées. Au besoin, nettoyez-les.
- Effectuez les opérations suivantes après chaque utilisation :
 - Nettoyez l'extérieur de l'appareil et vérifiez qu'il n'est pas endommagé.
 - Nettoyez le filtre à air. Nettoyez le filtre à air plusieurs fois par jour lorsque vous travaillez dans des conditions très poussiéreuses.
 - Vérifiez si la lame de coupe ou la tête à fil en nylon ont été endommagés et assurez-vous qu'ils sont bien montés.
 - Vérifiez si la différence entre le ralenti et la vitesse de fonctionnement est suffisante pour garantir que l'outil de coupe est au repos lorsque le moteur est au ralenti (si nécessaire, réduisez la vitesse du ralenti).
Si l'outil continue à fonctionner lorsque la machine est au ralenti, consultez l'agent d'entretien agréé le plus proche.
- Vérifiez que l'interrupteur I-O, le levier de verrouillage, le levier d'accélération et le bouton de verrouillage fonctionnent correctement.

REPLACEMENT DE L'HUILE MOTEUR

L'huile de moteur altérée réduit la durée de vie du moteur. N'oubliez pas de vérifier régulièrement l'huile et son niveau.



AVERTISSEMENT : Le moteur et l'huile moteur sont encore très chauds après l'arrêt du moteur. Laissez suffisamment de temps au moteur et à l'huile moteur de refroidir. Dans le cas contraire, vous risquez de vous brûler.

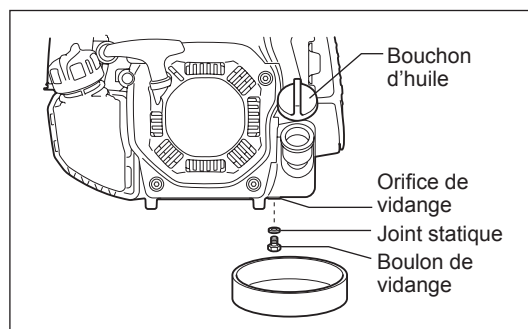
REMARQUE : Si le niveau d'huile dépasse la limite, l'huile risque d'être contaminée ou de s'enflammer en produisant de la fumée blanche. Afin de garantir une lecture précise du niveau d'huile, laissez suffisamment de temps à l'huile moteur pour qu'elle retourne dans le réservoir d'huile après l'arrêt du moteur.

Intervalle de remplacement : Après 20 heures de fonctionnement, puis toutes les 50 heures de fonctionnement.

Huile recommandée : Huile SAE 10W-30 de classe API, Classe SF ou supérieure (moteur 4 temps pour automobile)

Vous pouvez également procéder comme suit.

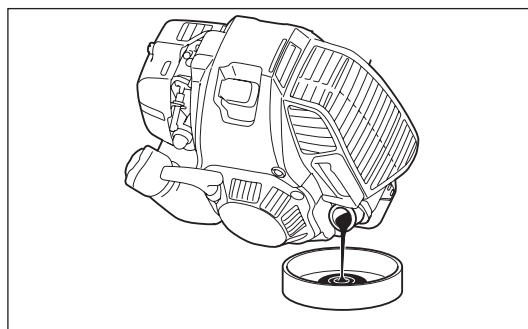
- 1) Assurez-vous que le bouchon du réservoir de carburant est bien serré.
- 2) Placez un grand récipient (poêle, etc.) sous l'orifice de vidange.
- 3) Retirez le boulon de vidange, puis le bouchon d'huile pour purger l'huile de l'orifice de vidange.
À ce stade, veillez à ne pas perdre le joint statique du boulon de vidange et à ne pas salir les composants que vous avez déposés.
- 4) Une fois l'huile entièrement vidangée, installez le joint et le boulon de vidange, puis serrez fermement le boulon de vidange afin qu'il ne se desserre pas et ne provoque pas de fuite.
[Couple de serrage : 5 N·m]
* Utilisez un chiffon pour essuyer l'huile qui s'est déversée sur le boulon et le matériel.



Autre méthode de vidange

Retirez le bouchon d'huile, inclinez l'appareil vers l'orifice de remplissage d'huile et purgez l'huile.

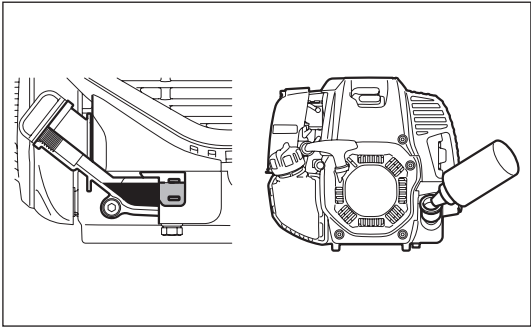
Recueillez l'huile dans un récipient.



- 5) Réglez le niveau du moteur et remplissez progressivement le réservoir avec de l'huile neuve jusqu'au repère de la limite supérieure.
- 6) Après avoir procédé au remplissage, serrez fermement le bouchon d'huile, de sorte qu'il ne se desserre pas et ne provoque pas de fuite.
Si vous ne serrez pas fermement le bouchon d'huile, il risque de fuir.

AVERTISSEMENTS CONCERNANT L'HUILE

- Ne jetez jamais d'huile moteur à la poubelle, sur la terre ou dans les égouts. Débarrassez-vous de l'huile en suivant la législation. Respectez toujours la loi en vigueur. Pour tout éclaircissement, contactez un agent d'entretien agréé.
- L'huile se détériore, même lorsqu'elle n'est pas utilisée. Effectuez régulièrement des inspections et des remplacements (vidangez l'huile tous les 6 mois).



NETTOYAGE DU FILTRE À AIR



AVERTISSEMENT : Coupez le moteur, éloignez-le des flammes nues et ne fumez pas.

Intervalle de nettoyage et d'inspection : tous les jours (toutes les 10 heures d'utilisation)

- Tournez le levier d'étrangleur vers le côté complètement fermé et éloignez le carburateur de toute poussière ou saleté.

Retrait du capot du filtre à air

- Ouvrez le crochet sur le capot du filtre à air en appuyant sur la boucle située sur le plateau.
- Desserrez le boulon de fixation.
- Tirez sur le capot du filtre à air et retirez-le.

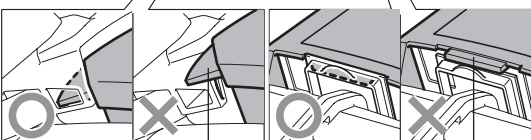
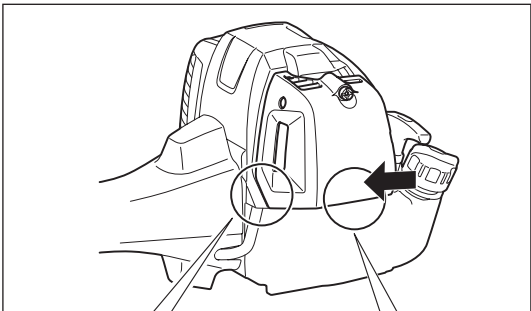
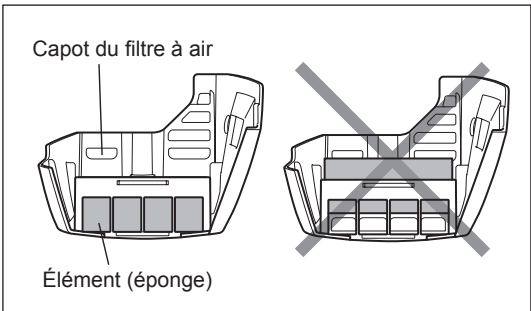
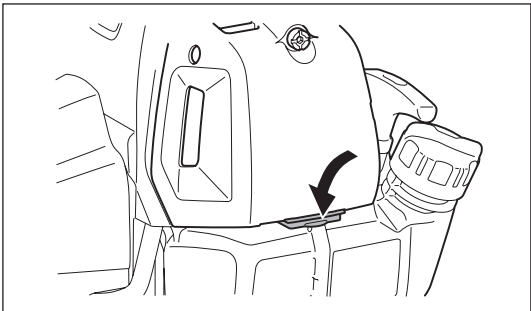
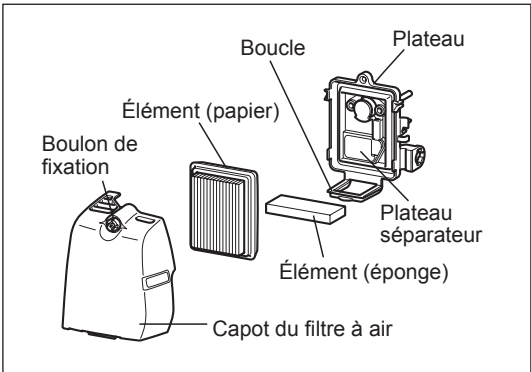
Nettoyage de l'élément

- Retirez les éléments et tapez dessus pour en retirer les saletés.
- En cas de contamination importante :
 - 1) Retirez l'élément (éponge), plongez-le dans de l'eau chaude ou dans un détergeant neutre dilué à l'eau, et séchez-le complètement. Lors du lavage, ne pressez pas et ne frottez pas l'élément.
 - 2) Nettoyez l'élément (papier) en tapant doucement dessus. Si vous pouvez utiliser une soufflette, soufflez de l'air comprimé à l'intérieur de l'élément (papier). Ne lavez pas l'élément (papier).

- Avant d'installer l'élément (éponge), assurez-vous qu'il soit complètement sec. Un séchage insuffisant de l'élément (éponge) pourrait provoquer un démarrage difficile.
- Nettoyez avec un chiffon l'huile adhérent autour du capot du filtre à air et du plateau séparateur.

Fixation du capot du filtre à air

- Installez l'élément (éponge) et l'élément (papier). Insérez l'élément (éponge) à fond dans le capot du filtre à air.
- Insérez le crochet latéral sur le capot du filtre à air, comme illustré, et appuyez sur la partie inférieure du capot du filtre à air jusqu'à émission d'un déclic, afin que le crochet se positionne correctement dans la boucle. Ensuite, serrez le capot du filtre à air avec le boulon de fixation.



Crochet latéral

Crochet

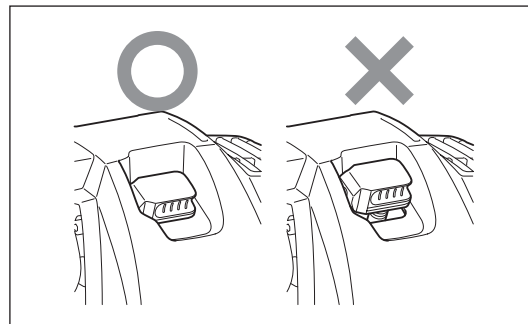
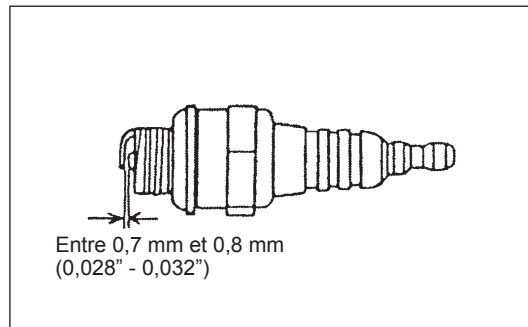
NOTE :

- Nettoyez les éléments plusieurs fois par jour en cas de poussière excessive. Les éléments sales diminuent la puissance du moteur et rendent difficile le démarrage du moteur.
- Retirez l'huile présente sur les éléments. Si vous continuez à utiliser l'appareil alors que les éléments restants présentent encore de l'huile, il est possible que l'huile présente dans le filtre à air soit expulsée à l'extérieur et contamine l'environnement.
- Ne placez pas les éléments sur le sol ou dans un lieu sale. La saleté ou les débris pourraient se poser dessus et endommager le moteur.
- N'utilisez jamais de carburant pour nettoyer les éléments. Le carburant pourrait les endommager.

VÉRIFICATION DE LA BOUGIE

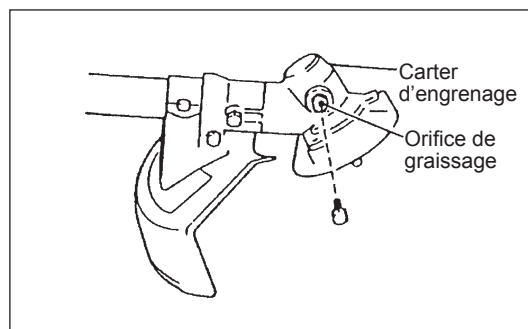
- N'utilisez que la clé universelle fournie pour retirer ou installer la bougie.
- L'écartement entre les deux électrodes de la bougie doit être compris entre 0,7 et 0,8 mm (0,028" à 0,032"). Réglez l'écartement s'il est trop large ou trop étroit. Si la bougie est bouchée ou contaminée, nettoyez-la complètement ou remplacez-la.
Placez correctement le capuchon, comme illustré, après avoir procédé à la vérification.

ATTENTION : Ne touchez jamais le connecteur de la bougie lorsque le moteur est en marche (danger de choc électrique haute tension).



GRAISSAGE DU CARTER D'ENGRENAGE

- Mettez de la graisse (Shell Alvania 2 ou équivalent) dans le carter d'engrenage à travers l'orifice de graissage toutes les 30 heures. (De la graisse d'origine MAKITA peut être achetée chez votre revendeur MAKITA.)

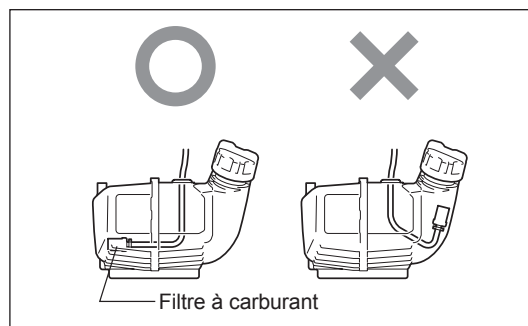
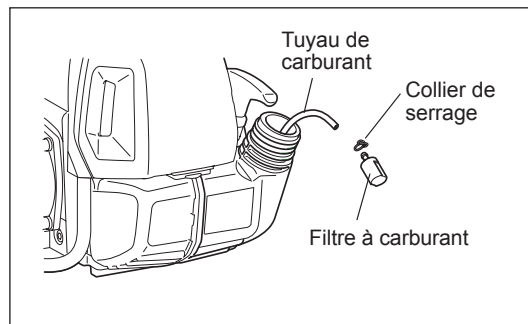


NETTOYAGE DU FILTRE À CARBURANT AVERTISSEMENT : PRODUITS INFLAMMABLES STRICTEMENT INTERDITS

Intervalle de nettoyage et d'inspection : tous les mois (toutes les 50 heures d'utilisation)

Crépine d'aspiration dans le réservoir de carburant

- Le filtre à carburant (1) de la crépine d'aspiration permet de filtrer le carburant nécessaire au carburateur.
- Une inspection visuelle périodique du filtre à carburant doit être effectuée. Dévissez le bouchon du réservoir, utilisez un crochet à fil et retirez la crépine d'aspiration à travers l'orifice du réservoir. Si le filtre est dur ou bouché, remplacez-le.
- Remplacez le filtre à carburant au moins tous les trimestres afin de garantir une alimentation suffisante en carburant vers le carburateur. Dans le cas contraire, l'insertion d'une quantité insuffisante de carburant perturbera le démarrage du moteur et ne lui permettra pas d'atteindre la vitesse maximale.
- Après avoir procédé à la vérification, au nettoyage ou au remplacement des éléments, installez le filtre à carburant sur le tuyau de carburant à l'aide du collier de serrage. Enfoncez complètement le filtre à carburant au fond du réservoir de carburant.



REPLACEMENT DU TUYAU DE CARBURANT

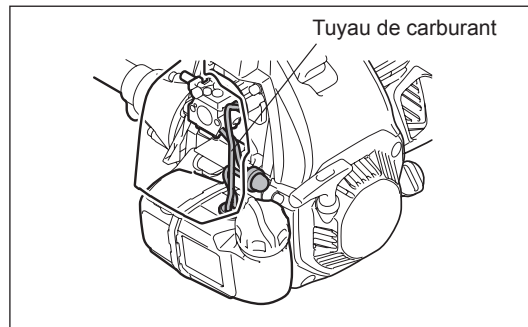
ATTENTION : PRODUITS INFLAMMABLES STRICTEMENT INTERDITS

Intervalle de nettoyage et d'inspection : tous les jours (toutes les 10 heures d'utilisation)

Remplacement : tous les ans (toutes les 200 heures d'utilisation)

Remplacez le tuyau de carburant tous les ans, quelle que soit la fréquence d'utilisation. Une fuite de carburant peut provoquer un incendie.

Si vous détectez une fuite pendant une inspection, remplacez immédiatement le tuyau de carburant.



INSPECTION DES BOULONS, ÉCROUS ET VIS

- Resserrez les boulons, écrous, etc. desserrés.
- Assurez-vous que le bouchon du réservoir et le bouchon d'huile sont bien serrés. Vérifiez l'absence de fuite de carburant et d'huile.
- Remplacez les pièces endommagées par des pièces neuves afin de garantir un fonctionnement en toute sécurité.

NETTOYAGE DES PIÈCES

- Essuyez régulièrement le moteur avec un chiffon en tissu afin de le maintenir propre.
- Conservez les ailettes de cylindre dépourvues de poussière et saleté. Si de la poussière ou des saletés adhèrent aux ailettes, cela peut créer des dommages aux pistons.

REPLACEMENT DE JOINTS STATIQUES ET DE TAMPONS AMORTISSEURS

Remplacez les joints et tampons amortisseurs si le moteur est démonté.

Tout travail d'entretien ou de réglage non inclus et décrit dans ce manuel doit être effectué uniquement par des agents d'entretien agréés.

ENTREPOSAGE

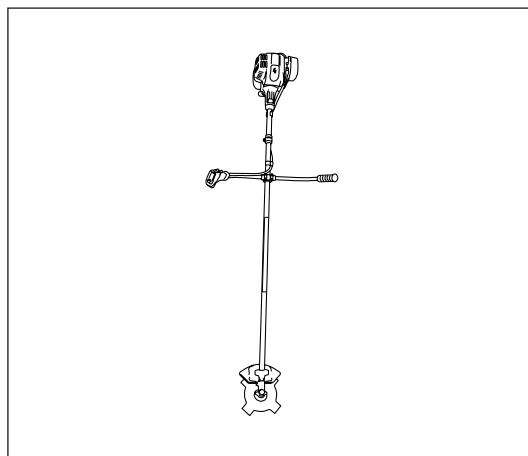


AVERTISSEMENT : Le moteur est encore très chaud juste après l'arrêt du moteur. Lorsque vous purgez le carburant, laissez suffisamment de temps au moteur pour refroidir après l'avoir arrêté. Dans le cas contraire, vous risquez de vous brûler et/ou de déclencher un incendie.



DANGER : Si vous prévoyez de ne pas utiliser l'appareil pendant une longue période, vidangez le réservoir de carburant et le carburateur, et entreposez l'appareil dans un endroit sec et propre.

- Pour vidanger le réservoir de carburant et le carburateur, procédez comme suit :
 - 1) Retirez le bouchon du réservoir de carburant, et vidangez le carburant entièrement. S'il reste un corps étranger dans le réservoir, retirez-le complètement.
 - 2) Retirez le filtre à carburant de l'orifice de remplissage à l'aide d'un fil.
 - 3) Appuyez sur la pompe d'amorçage jusqu'à ce que le carburant soit entièrement vidé et vidangez le carburant qui arrive dans le réservoir de carburant.
 - 4) Placez le filtre sur le réservoir de carburant, et vissez à fond le bouchon du réservoir de carburant.
 - 5) Ensuite, faites tourner le moteur jusqu'à ce qu'il s'arrête.
- Retirez la bougie et versez plusieurs gouttes d'huile moteur dans le logement de la bougie.
- Tirez doucement la poignée du démarreur afin que l'huile moteur se répande sur le moteur, puis remettez la bougie en place.
- Fixez le capot sur la lame métallique.
- En règle générale, rangez l'appareil en position horizontale. Si cela n'est pas possible, rangez-le en plaçant l'outil de coupe sous le moteur. Pour éviter que l'appareil tombe, veillez à le ranger correctement. Dans le cas contraire, il y a un risque de blessures corporelles.
- Entreposez l'essence vidangée dans un bidon spécial, dans un endroit bien ventilé.



Attention après un entreposage pendant une longue période

- Avant de démarrer l'appareil après un long arrêt, veillez à remplacer l'huile (voir à la page 48). L'huile se détériore lorsque l'appareil ne fonctionne pas pendant une longue période.

Élément	Durée de fonctionnement								P correspondante
		Avant utilisation	Après avoir fait le plein	Tous les jours (10 h)	30 h	50 h	200 h	Avant de ranger l'outil	
Huile moteur	Inspecter/ nettoyer	○							39
	Remplacer					○*1			48
Serrage des pièces (boulon, écrou)	Inspecter	○							50
Réservoir de carburant	Nettoyer/ inspecter	○							—
	Vidanger le carburant							○*3	51
Levier d'accélération	Vérifier le fonctionnement		○						—
Interrupteur d'arrêt	Vérifier le fonctionnement		○						48
Outil de coupe	Inspecter	○		○					36
Vitesse au ralenti	Inspecter/ régler			○					44
Filtre à air	Nettoyer			○					49
Bougie d'allumage	Inspecter			○					50
Passage de l'air de refroidissement et ailettes de cylindre	Nettoyer/ inspecter			○					51
Tuyau de carburant	Inspecter			○					51
	Remplacer						⊙*2		—
Graisse du carter d'engrenage	Remplir				○				50
Filtre à carburant	Nettoyer/ remplacer					○			50
Espacement de la soupape (soupape d'admission et soupape d'échappement)	Inspecter/ régler						⊙*2		—
Carburateur	Vidanger le carburant							○*3	51

*1 Effectuez un remplacement initial après 20 heures d'utilisation.

*2 Demandez à un atelier de mécanique ou un agent d'entretien agréé d'effectuer l'entretien après 200 heures d'utilisation.

*3 Après avoir vidé le réservoir de carburant, continuez à faire fonctionner le moteur et purgez le carburant situé dans le carburateur.

RÉSOLUTION DE PROBLÈMES

Avant d'envoyer votre appareil en réparation, vérifiez si vous pouvez régler le problème vous-même. Si vous découvrez une anomalie, commandez votre appareil selon les descriptions de ce manuel. Ne démontez et ne modifiez aucune pièce d'une manière contraire à la description. Pour toute réparation, contactez un agent d'entretien agréé ou un revendeur local.

Problème	Cause probable (dysfonctionnement)	Solution
Le moteur ne démarre pas	L'interrupteur I-O est en position STOP.	Régler l'interrupteur I-O sur FONCTIONNEMENT.
	Oubli d'activation de la pompe d'amorçage	Appuyer 7 à 10 fois
	Tirage lent de la corde du démarreur	Tirer plus fort
	Panne de carburant	Faire le plein
	Filtre de carburant bouché	Nettoyer
	Tube de carburant cassé	Redresser le tube de carburant
	Carburant détérioré	Du carburant détérioré rend le démarrage plus difficile. Remplacez-le par du carburant neuf. (Remplacement recommandé : 1 fois par mois)
	Aspiration excessive du carburant	Régler le levier d'accélération de la vitesse moyenne à la vitesse élevée et tirer sur la poignée de démarrage jusqu'à ce que le moteur démarre. Lorsque le moteur démarre, la lame métallique commence à tourner. Faites très attention à la lame métallique. Si le moteur ne démarre toujours pas, retirez la bougie, séchez l'électrode et ré-assemblez ces éléments comme ils l'étaient à l'origine. Ensuite, démarrer comme indiqué.
	Protecteur de bougie débranché	Le brancher solidement
	Bougie contaminée	Nettoyer
	Espacement anormal de la bougie	Régler l'espacement
	Autre problème de la bougie	Remplacer
	Carburateur anormal	Faire une demande d'examen et d'entretien.
	Impossible de tirer la corde de démarrage	Faire une demande d'examen et d'entretien.
Le moteur s'arrête rapidement La vitesse du moteur n'augmente pas	Entraînement anormal	Faire une demande d'examen et d'entretien.
	Réchauffement insuffisant	Réchauffer le moteur
	Le levier d'étrangleur est en position « FERMER » alors que le moteur est chaud.	Le régler sur « OUVERT ».
	Filtre de carburant bouché	Nettoyer
	Filtre à air contaminé ou bouché	Nettoyer
	Carburateur anormal	Faire une demande d'examen et d'entretien.
Pas de rotation de la lame métallique ↓ Arrêtez immédiatement le moteur	Entraînement anormal	Faire une demande d'examen et d'entretien.
	Écrou de serrage de la lame métallique desserrée	Le serrer correctement
	Branche attrapée par la lame métallique ou le couvercle anti-dispersion	Retirez le corps étranger.
Vibrations anormales de la machine ↓ Arrêtez immédiatement le moteur	Entraînement anormal	Faire une demande d'examen et d'entretien.
	Lame métallique cassée, tordue ou émoussée	Remplacer la lame métallique
	Écrou de serrage de la lame métallique desserrée	Le serrer correctement
	Décalage de la partie convexe de la lame métallique et de son support	Le fixer solidement
	Entraînement anormal	Faire une demande d'examen et d'entretien.
La lame métallique ne s'arrête pas immédiatement ↓ Arrêtez immédiatement le moteur	Entraînement anormal	Faire une demande d'examen et d'entretien.
	Rotation élevée au ralenti	Régler
	Fil de l'étrangleur détaché	Le fixer solidement
Le moteur ne s'arrête pas ↓ Faites tourner le moteur au ralenti et réglez le levier d'étrangleur sur FERMER	Entraînement anormal	Faire une demande d'examen et d'entretien.
	Connecteur débranché	Le fixer solidement
	Système électrique anormal	Faire une demande d'examen et d'entretien.

Lorsque le moteur ne démarre pas après avoir été réchauffé :

Si aucun problème n'apparaît après vérification, ouvrez l'étrangleur d'environ 1/3 et démarrez le moteur.





















Vielen Dank, dass Sie sich für den Kauf eines motorgetriebenen Werkzeugs von MAKITA entschieden haben. Wir freuen uns, Ihnen die Motorsense von MAKITA anbieten zu können; unsere Produkte sind das Ergebnis eines langen Entwicklungsprogramms und vieler Jahre an Erkenntnissen und Erfahrungen. Lesen Sie diese Broschüre mit detaillierten Informationen zu den verschiedenen Punkten, die die herausragende Leistung dieses Produkts demonstrieren, aufmerksam durch. So können Sie die bestmöglichen Ergebnisse mit Ihrem Produkt von MAKITA erzielen.



Inhaltsverzeichnis	Seite
Symbole.....	54
Sicherheitsvorschriften	55
Technische Daten	59
Bezeichnung der Bauteile.....	60
Montieren des Griffs	61
Montieren des Schutzes	62
Montieren des Metallblatts / Nylon-Schneidkopfs.....	64
Vor dem Betrieb	65
Richtige Handhabung des Werkzeugs	67
Wichtige Betriebsschritte und Stoppen des Werkzeugs.....	68
Nachschärfen des Schneidwerkzeugs	70
Wartungsanweisungen	74
Aufbewahrung	77

SYMBOLE

Beim Lesen der Betriebsanleitung werden Ihnen die folgenden Symbole begegnen:

	Bitte lesen Sie die Betriebsanleitung und beachten Sie die Warnungen und Sicherheitshinweise!		Im Arbeitsbereich dürfen sich keine anderen Personen und keine Tiere aufhalten!
	Besondere Aufmerksamkeit erforderlich!		Tragen Sie Schutzhelm, Schutzbrille und Gehörschutz!
	Verboten!		Maximal zulässige Werkzeugdrehzahl
	Halten Sie Abstand!		Kraftstoff (Vergaserkraftstoff)
	Gefahr durch herumfliegende Gegenstände!		Manueller Motorstopp
	Rückschlag!		Not-Aus
	Rauchen verboten!		Erste Hilfe
	Umgang mit offener Flamme verboten!		EIN / START
	Tragen Sie Schutzhandschuhe!		AUS / STOPP
	Tragen Sie festes Schuhwerk mit rutschfesten Sohlen. Empfohlen werden Arbeitsschutzschuhe mit Stahlkappen.		POSITION „GASHEBEL VERRIEGELT“

SICHERHEITSVORSCHRIFTEN

Allgemeine Sicherheitsregeln

- Lesen Sie diese Betriebsanleitung durch und machen Sie sich mit dem Umgang mit diesem Werkzeug vertraut. Unzureichend informierte Bediener können durch unsachgemäßen Umgang mit dem Werkzeug sich und andere gefährden.
- Verleihen Sie das Werkzeug nur an Personen, die nachweislich über Erfahrungen im Umgang mit derartigen Werkzeugen verfügen. Überreichen Sie stets auch diese Betriebsanleitung.
- Erstanwender sollten sich von ihrem Händler grundlegende Anleitungen geben lassen, um im Umgang mit einer Motorsense vertraut zu werden.
- Kindern und Jugendlichen unter 18 Jahren ist die Bedienung dieses Werkzeugs untersagt. Personen über 16 Jahre dürfen das Werkzeug für Übungszwecke bedienen, jedoch nur unter Aufsicht eines entsprechend qualifizierten Anleiters.
- Verwenden Sie dieses Werkzeug stets mit äußerster Vorsicht und Aufmerksamkeit.
- Betreiben Sie dieses Werkzeug nur, wenn Sie in guter physischer Verfassung sind. Führen Sie alle Arbeiten ruhig und mit Vorsicht aus. Die Bedienperson ist gegenüber Dritten haftbar.
- Betreiben Sie dieses Werkzeug nie unter dem Einfluss von Alkohol und/oder Medikamenten, oder wenn Sie müde oder erkrankt sind.
- Die Erlaubnis zur Verwendung dieses Werkzeugs kann durch örtlich geltende Gesetze und Bestimmungen eingeschränkt sein.

Verwendungszweck des Werkzeugs

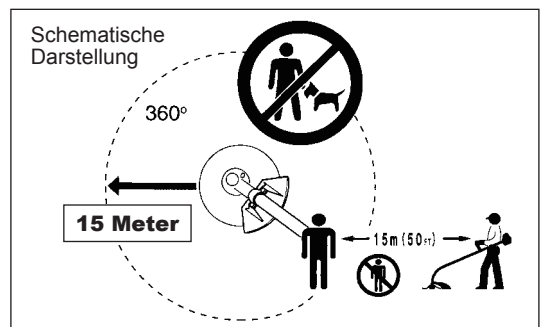
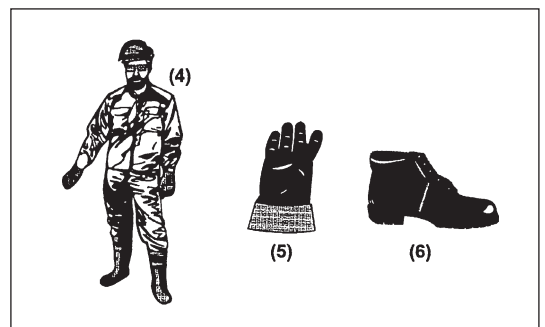
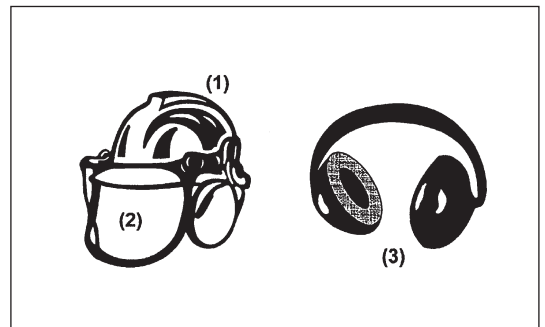
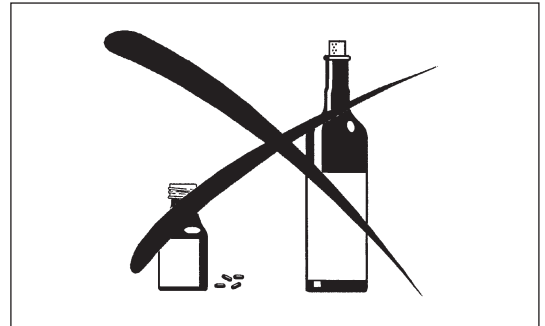
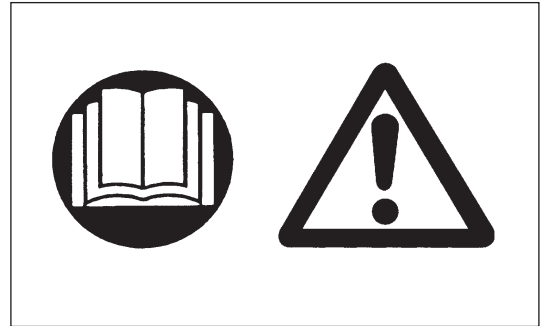
- Dieses Werkzeug darf ausschließlich für das Schneiden von Gras, Unkrautbewuchs, Gestrüpp und Wildwuchs verwendet werden. Das Werkzeug darf nicht für andere Zwecke verwendet werden, beispielsweise zum Beschneiden von Einfassungen oder Hecken, da es dabei zu Verletzungen kommen kann.

Persönliche Schutzausrüstung

- Tragen Sie zweckmäßige und geeignete Kleidung, d. h. die Kleidung sollte am Körper anliegen, jedoch ohne zu behindern. Tragen Sie keinen Schmuck. Tragen Sie keine Kleidung, mit der Sie sich in Büschen oder Gestrüpp verfangen könnten.
- Um Verletzungen von Gehör, Augen, Händen und Füßen zu vermeiden, aber auch um Ihre Hörleistung zu schützen, ist während des Betriebs des Werkzeugs die folgenden Schutzausrüstungen oder Schutzkleidungen zu tragen.
- Tragen Sie stets einen Helm, wenn die Gefahr herabfallender Gegenstände besteht. Der Schutzhelm (1) muss regelmäßig auf Beschädigungen überprüft und spätestens alle 5 Jahre durch einen neuen Helm ersetzt werden. Verwenden Sie ausschließlich zugelassene Schutzhelme.
- Das Visier (2) des Helms (oder alternativ eine Schutzbrille) schützt das Gesicht vor herumfliegenden Fremdkörpern und Steinen. Tragen Sie während des Betriebs des Werkzeugs eine Schutzbrille oder ein Visier, um Verletzungen der Augen zu vermeiden.
- Tragen Sie einen angemessenen Gehörschutz, um eine Schädigung des Gehörs zu vermeiden (Gehörschutzkapseln (3), Gehörschutzstöpsel usw.).
- Arbeitsanzüge (4) schützen gegen herumfliegende Steine und Fremdkörper. Wir empfehlen dringend, dass der Bediener einen Arbeitsanzug trägt.
- Handschuhe (5) sind Bestandteil der vorgeschriebenen Ausrüstung und müssen bei Betrieb dieses Werkzeugs immer getragen werden.
- Tragen Sie beim Arbeiten mit dem Werkzeug stets feste Schuhe (6) mit rutschfesten Sohlen. Derartige Schuhe schützen vor Verletzungen und geben einen sicheren Halt.

Starten der Motorsense

- Vergewissern Sie sich, dass sich in einem Arbeitsbereich von 15 m keine Kinder oder andere Personen aufhalten, achten Sie außerdem auf Tiere im Arbeitsbereich.
- Überprüfen Sie vor jeder Verwendung, dass das Werkzeug betriebssicher ist. Prüfen Sie die Sicherheit des Schneidwerkzeugs, den Gashebel auf einfache Bedienung und die Arretierung des Gashebels auf ordnungsgemäße Funktion.
- Im Leerlauf darf sich das Schneidwerkzeug nicht drehen. Wenden Sie sich bei Bedenken an Ihren Händler, um die Einstellungen überprüfen zu lassen. Sorgen Sie dafür, dass die Griffe sauber und trocken sind, und testen Sie die Funktion des Start-/Stoppschalters.

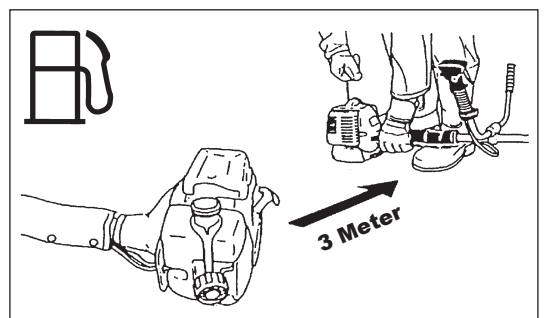
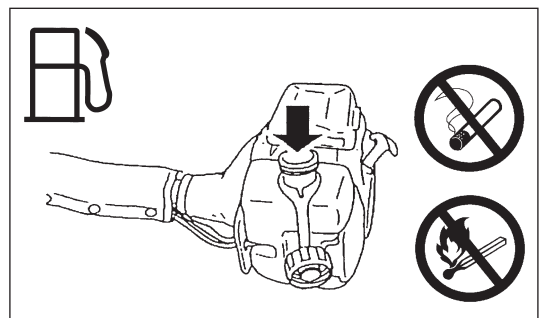
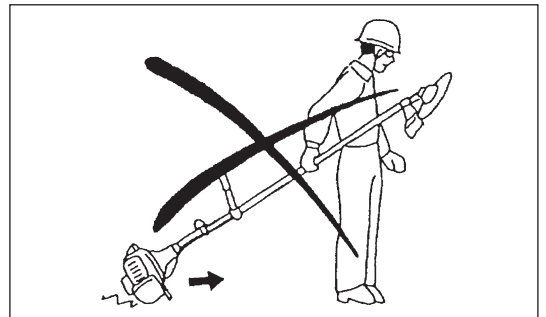
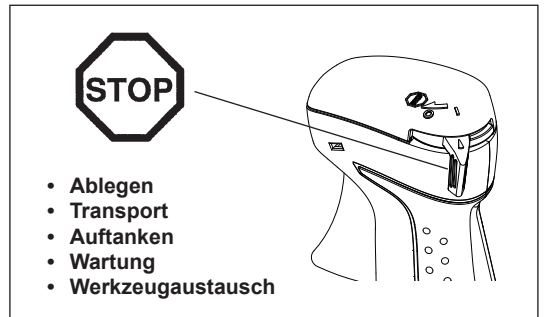
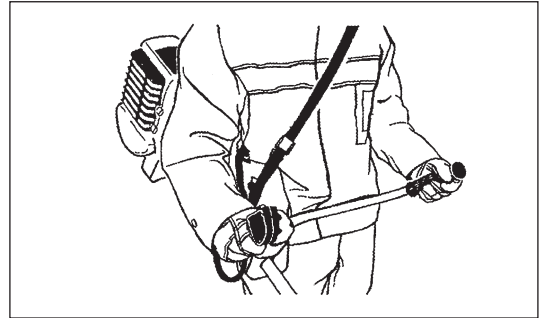
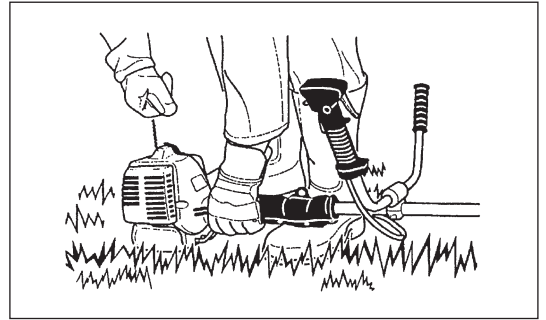


Starten Sie die Motorsense nur gemäß den Anleitungen.

- Starten Sie den Motor auf keine andere Weise!
- Verwenden Sie die Motorsense und die Werkzeuge nur für die angegebenen Zwecke.
- Starten Sie den Motor nur, wenn das Werkzeug vollständig zusammengebaut ist. Der Betrieb des Werkzeugs ist nur gestattet, wenn alles dazugehörige Zubehör anmontiert ist!
- Überprüfen Sie vor dem Starten, dass das Schneidwerkzeug keine harten Gegenstände (Geäst, Steine usw.) berührt, da sich das Schneidwerkzeug beim Starten dreht.
- Schalten Sie den Motor bei Auftreten von Problemen mit dem Motor sofort aus.
- Sollte das Schneidwerkzeug Steine oder andere harte Gegenstände treffen, schalten Sie sofort den Motor aus und überprüfen Sie das Schneidwerkzeug.
- Überprüfen Sie das Schneidwerkzeug in regelmäßigen, kurzen Zeitabständen. Prüfen Sie durch einen Klopfest auf Haarrisse.
- Wenn das Werkzeug einem starken Stoß ausgesetzt wurde oder heruntergefallen ist, überprüfen Sie den Zustand des Werkzeugs, bevor Sie die Arbeiten fortsetzen. Überprüfen Sie das Kraftstoffsystem auf Leckagen und die Bedienelemente und Sicherheitseinrichtungen auf Fehlfunktionen. Wenn Sie einen Schaden bemerken oder sich nicht sicher sind, wenden Sie sich zur Inspektion und Reparatur an unser Ihr autorisiertes Servicecenter.
- Betreiben Sie das Werkzeug nur mit befestigtem Schultergurt; der Schultergurt muss vor Inbetriebnahme der Motorsense an den Bediener angepasst werden. Wichtig ist, dass der Schultergurt auf die Körpergröße des Bedieners eingestellt wird, um ein Ermüden während der Arbeiten zu verhindern. Halten Sie die Motorsense während des Betriebs niemals mit nur einer Hand.
- Halten Sie die Motorsense während des Betriebs mit beiden Händen. Sorgen Sie immer für einen sicheren Stand.
- Betreiben Sie das Werkzeug stets so, dass Sie keine Abgase einatmen. Betreiben Sie den Motor niemals in geschlossenen Räumen (Gefahr einer Gasvergiftung). Kohlenmonoxid ist ein geruchloses Gas.
- Schalten Sie den Motor aus, wenn Sie das Werkzeug ablegen oder wenn Sie das Werkzeug unbeaufsichtigt lassen, und lagern Sie das Werkzeug immer an einem sicheren Ort, um die Gefährdung von Personen und Beschädigungen des Werkzeugs zu vermeiden.
- Legen Sie die heiße Motorsense niemals in trockenes Gras oder auf sonstige entflammbare Materialien ab.
- Bringen Sie stets den Schneidwerkzeugschutz am Werkzeug an, bevor Sie den Motor starten. Andernfalls kann der Kontakt mit dem Schneidwerkzeug schwere Verletzungen verursachen.
- Während des Betriebs müssen alle mit dem Werkzeug gelieferten Schutzvorrichtungen und Abdeckungen verwendet werden.
- Betreiben Sie den Motor niemals mit beschädigtem Auspuffschalldämpfer.
- Schalten Sie den Motor während des Transports aus.
- Bringen Sie vor dem Transportieren des Werkzeugs stets die Abdeckung am Metallblatt an.
- Sorgen Sie bei Transport des Werkzeugs in einem Fahrzeug für eine sichere Ablage, um das Austreten von Kraftstoff zu vermeiden.
- Sorgen Sie dafür, dass beim Transport der Kraftstofftank des Werkzeugs vollständig leer ist.
- Setzen Sie beim Abladen der Motorsense beim Abladen von einem LKW den Motor niemals hart auf den Boden auf; anderenfalls kann der Kraftstofftank beschädigt werden.
- Lassen Sie das Werkzeug nur in einem Notfall zu Boden fallen, da dadurch das Werkzeug beschädigt werden kann.
- Heben Sie das Werkzeug bei einem Umsetzen immer vollständig vom Boden ab. Das Ziehen des Werkzeugs am Kraftstofftank ist äußerst gefährlich und kann zu Beschädigung des Tanks oder Auslaufen von Kraftstoff führen und ggf. einen Brand verursachen.

Auftanken

- Schalten Sie den Motor aus, halten Sie den Motor von offenen Flammen fern und rauchen Sie während des Auftankens nicht.
- Vermeiden Sie Hautkontakt mit Mineralölprodukten. Atmen Sie die Kraftstoffdämpfe nicht ein. Tragen Sie zum Auftanken immer Schutzhandschuhe. Wechseln und reinigen Sie Schutzkleidung regelmäßig.
- Stellen Sie zur Vermeidung einer Kontamination des Erdbodens (Umweltschutz) sicher, dass kein Kraftstoff und kein Öl in das Erdreich eindringt. Wischen Sie verschütteten Kraftstoff unverzüglich von der Motorsense ab.
- Achten Sie darauf, dass Ihre Kleidung nicht in Kontakt mit Kraftstoff kommt. Falls Ihre Kleidung in Kontakt mit Kraftstoff gekommen ist, wechseln Sie die Kleidung sofort (Brandgefahr!).
- Überprüfen Sie den Tankdeckel regelmäßig auf ordnungsgemäßen Sitz und auf Dichtheit.
- Schrauben Sie den Tankdeckel ordnungsgemäß fest. Entfernen Sie sich mindestens 3 m vom Ort des Auftankens, bevor Sie den Motor starten.
- Tanken Sie das Werkzeug niemals in geschlossenen Räumen auf. Andernfalls kann es aufgrund einer Ansammlung von Kraftstoffdämpfen auf dem Boden zu einer Explosion kommen.
- Transportieren und lagern Sie Kraftstoff ausschließlich in dafür zugelassenen Behältern. Stellen Sie sicher, dass Kinder keinen Zugang zu gelagertem Kraftstoff haben.



Handhabung

- Verwenden Sie das Werkzeug nur bei guten Licht- und Sichtverhältnissen. Achten Sie im Winter auf rutschige oder nasse Bereiche, z. B. auf vereiste oder schneebedeckte Flächen (Rutschgefahr). Sorgen Sie immer für einen sicheren Stand.
- Schneiden Sie niemals über Hüfthöhe.
- Schneiden Sie niemals auf einer Leiter stehend.
- Klettern Sie niemals auf Bäume, um mit dem Werkzeug zu schneiden.
- Arbeiten Sie niemals auf nicht stabilen Flächen.
- Entfernen Sie Sand, Steine, Nägel usw. aus dem Arbeitsbereich. Fremdkörper können das Schneidwerkzeug beschädigen und so gefährliche Rückschläge verursachen.
- Vergewissern Sie sich vor Beginn des Schnitts, dass das Schneidwerkzeug die volle Arbeitsdrehzahl erreicht hat.
- Schwingen Sie das Werkzeug bei Verwendung von Metallblättern im Halbkreis von rechts nach links, wie eine Sense. Falls sich Gras oder Äste zwischen dem Schneidwerkzeug und dem Schutz verfangen, stoppen Sie vor dem Reinigen stets den Motor. Andernfalls kann eine unbeabsichtigte Drehung des Blattes schwere Verletzungen verursachen.
- Legen Sie regelmäßig Pausen ein, damit es nicht zu einem Kontrollverlust aufgrund von Ermüdungserscheinungen kommt. Wir empfehlen, jede Stunde eine Pause von 10 bis 20 Minuten einzulegen.

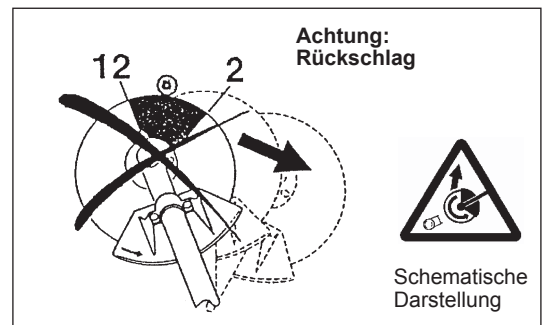


Schneidwerkzeuge

- Verwenden Sie ein für die anstehenden Arbeiten geeignetes Schneidwerkzeug. Für das Schneiden von Rasengras sind Nylon-Schneidköpfe (Faden-Trimmerkopf) geeignet. Für das Schneiden von Unkraut, hohem Gras, Büschen, Gestrüpp, Unterholz, Dickicht und ähnlichem sind Metallblätter geeignet. Verwenden Sie niemals andere Blätter, auch keine metallischen, mehrteiligen Pivoketten und Schlegelmesser. Anderenfalls kann es zu schweren Verletzungen kommen.
- Vermeiden Sie bei Verwendung von Metallblättern ein Rückschlagen, sogenanntes „Kickback“, und seien Sie auf ein plötzliches Rückschlagen gefasst. Informieren Sie sich in den Abschnitten „Rückschlag“ und „Vermeiden des Rückschlages“.

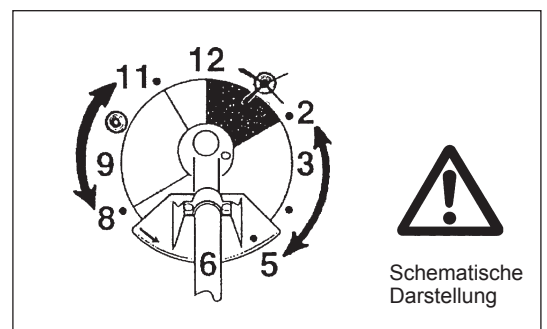
Rückschlag (Kickback)

- Ein Rückschlagen (Kickback) ist eine plötzliche Reaktion bei einem Verfangen oder Festsitzen des Metallblatts. Tritt ein Rückschlagen auf, wird das Werkzeug mit großer Kraft seitwärts oder in Richtung des Bedieners geschleudert und kann schwere Verletzungen verursachen.
- Ein Rückschlagen tritt vor allem auf, wenn feste Gegenstände, Büsche und Bäume mit einem Durchmesser von mehr als 3 cm im Schneidblattbereich zwischen 12 und 2 Uhr geschnitten werden.
- So vermeiden Sie ein Rückschlagen:
 - Schneiden Sie im Bereich zwischen 8 und 11 Uhr.
 - Schneiden Sie niemals im Bereich zwischen 12 und 2 Uhr.
 - Schneiden Sie niemals im Bereich zwischen 11 und 12 Uhr sowie zwischen 2 und 5 Uhr, es sei denn, der Bediener ist geschult und erfahren und führt die Arbeiten auf eigene Gefahr aus.
 - Berühren Sie mit den Metallblättern niemals feste Gegenstände, wie Zäune, Wände, Baumstümpfe und Steine.
 - Verwenden Sie die Metallblätter niemals senkrecht, beispielsweise zum Abkanten oder Heckenschneiden.



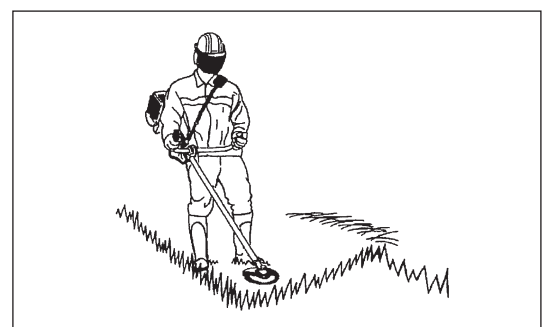
Schwingung

- Wenn sich Personen mit Durchblutungsstörungen zu starken mechanischen Schwingungen aussetzen, kann es zu Schädigungen von Blutgefäßen und/oder Nervensystem kommen. Folgende Symptome können durch Vibrationen an Fingern, Händen oder Handgelenken auftreten: „Einschlafen“ von Körperteilen (Taubheit), Kribbeln, Schmerz, Stechen, Veränderung von Hautfarbe oder Haut. Falls eines dieser Symptome auftritt, suchen Sie einen Arzt auf!
- Um das Risiko der „Weißfingerkrankheit“ zu verringern, halten Sie Ihre Hände während des Arbeitens warm und warten und pflegen Sie das Werkzeug und Zubehörteile gut.



Wartungsanweisungen

- Lassen Sie Ihr Werkzeug durch unser autorisiertes Servicecenter warten, verwenden Sie stets nur originale Ersatzteile. Unsachgemäße Reparatur- und Wartungsarbeiten können die Lebenszeit des Werkzeugs verkürzen und das Unfallrisiko erhöhen.
- Überprüfen Sie immer den Zustand des Schneidblatts, vor allem auch der Schutzvorrichtungen und des Schultergurtes, bevor Sie mit der Arbeit beginnen. Achten Sie besonders darauf, dass Metallblätter ordnungsgemäß geschärft sind.
- Schalten Sie den Motor aus und ziehen Sie den Zündkerzenstecker ab, bevor Sie das Schneidwerkzeug austauschen oder schärfen; die gilt auch für das Reinigen von Sense und/oder Schneidwerkzeug.



Beschädigte Schneidwerkzeuge dürfen auf keinen Fall begradigt oder geschweißt werden.

- Nehmen Sie Rücksicht auf die Umwelt und auf Ihre Nachbarn. Vermeiden Sie ein unnötiges Betätigen des Gashebels, damit Umweltbelastung und Geräuschentwicklung so gering wie möglich gehalten werden. Achten Sie auf eine korrekte Vergasereinstellung.
- Reinigen Sie das Werkzeug regelmäßig und überprüfen Sie, ob alle Schrauben und Muttern fest angezogen sind.
- Das Ausführen von Arbeiten am Werkzeug oder das Lagern des Werkzeugs in der Nähe offener Flammen ist verboten.
- Lagern Sie das Werkzeug in einem verschlossenen Raum und nur mit geleertem Tank.
- Bringen Sie vor dem Reinigen, Warten und Einlagern des Werkzeugs stets die Abdeckung am Metallblatt an.



Beachten Sie die geltenden Bestimmungen zur Verhinderung von Unfällen, die von den zuständigen Berufsorganisationen und von Versicherungsunternehmen herausgebracht werden. Nehmen Sie keinerlei technische Veränderungen am Werkzeug vor, da dies Ihre Sicherheit gefährden würde.

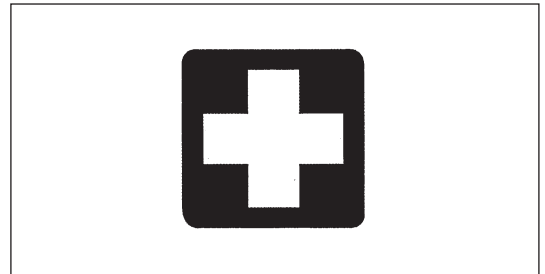
Der Bediener darf nur die in dieser Betriebsanleitung beschriebenen Wartungs- und Reparaturarbeiten durchführen. Alle anderen Arbeiten müssen von autorisiertem Wartungspersonal durchgeführt werden. Verwenden Sie ausschließlich originale Ersatz- und Zubehörteile, die von MAKITA freigegeben sind und geliefert werden. Die Verwendung nicht freigegebener Zubehörteile und Werkzeuge stellt eine erhöhte Unfallgefahr dar. MAKITA übernimmt keine Haftung für Unfälle oder Schäden, die durch die Verwendung nicht genehmigter Schneidwerkzeuge, Befestigungen der Schneidwerkzeuge und Zubehörteile verursacht werden.

Erste Hilfe

Stellen Sie für den Fall eines Unfalls sicher, dass in der Nähe der Schneidarbeiten ein Erste-Hilfe-Kasten verfügbar ist. Ersetzen Sie aus dem Erste-Hilfe-Kasten entnommene Materialien sofort.

Machen Sie folgende Angaben, wenn Sie Hilfe anfordern:

- Ort des Unfalls
- Was ist passiert
- Anzahl der verletzten Personen
- Art der Verletzungen
- Ihr Name



Nur für europäische Länder

EG-Konformitätserklärung

Wir, Makita Corporation als verantwortlicher Hersteller, erklären, dass die folgenden Geräte der Marke Makita:

Bezeichnung des Geräts/der Geräte: Motorsense
Nummer / Typ des Modells: EM4351UH, EM4350UH, EM4350LH
Technische Daten: siehe unter „TECHNISCHE DATEN“

in Serienfertigung hergestellt werden und

den folgenden Richtlinien der Europäischen Union genügen:

2000/14/EG, 2006/42/EG

Außerdem werden die Maschinen gemäß den folgenden Standards oder Normen gefertigt:

EN ISO 11806-1

Die technische Dokumentation erfolgt durch unseren Bevollmächtigten in Europa:

Makita International Europe Ltd.,
Michigan Drive, Tongwell, Milton Keynes, Bucks MK15 8JD, England

Das Verfahren zur Konformitätsbewertung, vorgesehen in 2000/14/EG, erfolgte in Übereinstimmung mit Anhang V.

EM4351UH:

Gemessener Schalleistungspegel: 111,9 dB

Garantierter Schalleistungspegel: 113 dB

EM4350UH:

Gemessener Schalleistungspegel: 112,1 dB

Garantierter Schalleistungspegel: 113 dB

EM4350LH:

Gemessener Schalleistungspegel: 110,7 dB

Garantierter Schalleistungspegel: 112 dB

8. 9. 2011

A handwritten signature in black ink, appearing to read 'Tomoyasu Kato'.

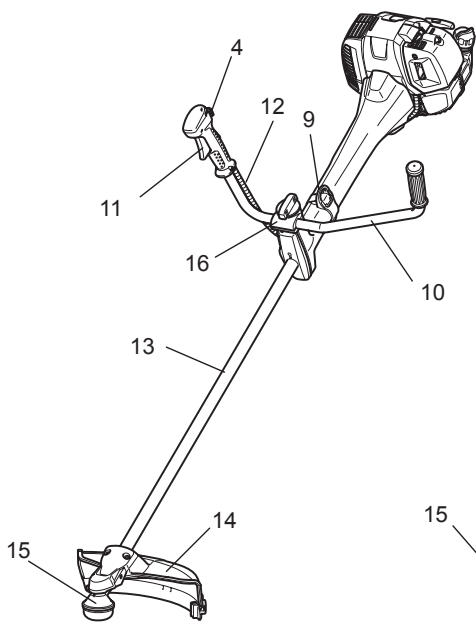
Tomoyasu Kato
Direktor
Makita Corporation
3-11-8, Sumiyoshi-cho,
Anjo, Aichi, JAPAN

TECHNISCHE DATEN EM4351UH, EM4350UH, EM4350LH

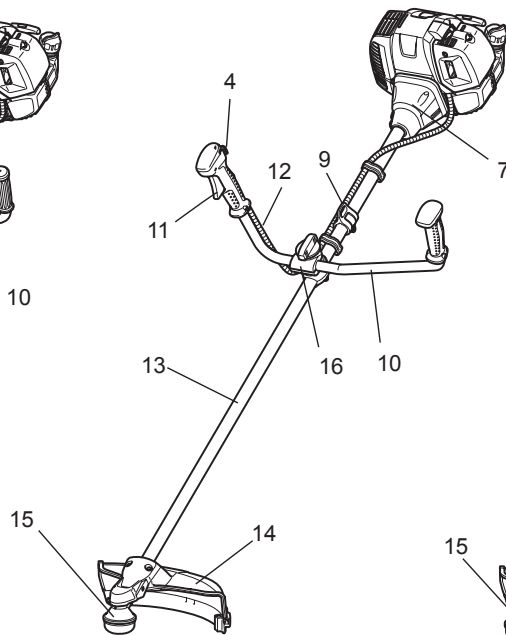
Modell			EM4351UH	EM4350UH	EM4350LH					
Typ des Griffs			Fahrradgriff	Fahrradgriff	Bügelgriff					
Abmessungen: Länge x Breite x Höhe (ohne Schneidwerkzeug)			mm	1.812 x 618 x 528	1.812 x 635 x 460	1.812 x 339 x 250				
Gewicht (ohne Kunststoffschutz und Schneidwerkzeug)			kg	8,6	8,3	7,9				
Volumen (Kraftstofftank)			L	0,6						
Volumen (Öltank)			L	0,1						
Motor-Hubraum			cm ³	43,0						
Maximale Motorleistung			kW	1,5 bei 7.500 min ⁻¹						
Motordrehzahl bei empfohlener max. Wellendrehzahl			min ⁻¹	10.500						
Maximale Wellendrehzahl (entsprechend)			min ⁻¹	7.200						
Leerlaufdrehzahl			min ⁻¹	3.000						
Drehzahl für Kupplungseingriff			min ⁻¹	4.000						
Vergaser			Art des Diaphragma							
Zündungssystem			Kontaktlos, mit Magnet							
Zündkerze			Typ	NGK CMR6A						
Elektrodenabstand			mm	0,7 - 0,8						
				SCHNEIDBLATT	NYLON-SCHNEIDKOPF	SCHNEIDBLATT	NYLON-SCHNEIDKOPF	SCHNEIDBLATT	NYLON-SCHNEIDKOPF	
Schwingungen nach ISO 22867	Rechter Griff (Hinterer Griff)	$a_{hv\ eq}$	m/s ²	2,2	2,1	3,1	3,5	4,2	2,6	
		Abweichung K	m/s ²	0,5	0,6	0,5	0,8	1,1	0,7	
	Linker Griff (Vorderer Griff)	$a_{hv\ eq}$	m/s ²	1,7	2,0	4,8	4,0	3,8	3,7	
		Abweichung K	m/s ²	0,5	0,5	2,9	0,9	1,0	1,4	
Durchschnittlicher Schalldruckpegel nach ISO 22868			$L_{PA\ eq}$	dBA	92,4	96,2	91,2	96,1	92,8	94,9
			Abweichung K	dBA	1,8	2,0	2,2	1,6	1,6	2,1
Durchschnittlicher Schalleistungspegel entsprechend ISO 22868			$L_{WA\ eq}$	dBA	101,8	108,9	103,1	109,1	103,4	107,7
			Abweichung K	dBA	1,8	1,4	1,1	1,1	1,5	1,2
Kraftstoff			Auto-Vergaserkraftstoff (Benzin)							
Motoröl			Klasse SF oder höher nach API-Klassifikation, Klasse 10W-30 nach SAE-Klassifikation (Motoröl für Auto-Viertaktmotor)							
Schneidwerkzeuge (Schneidblatt-Durchmesser)			mm	305 (mit drei Schneidblättern)						
Übersetzung Getriebe			13/19							

BEZEICHNUNG DER BAUTEILE

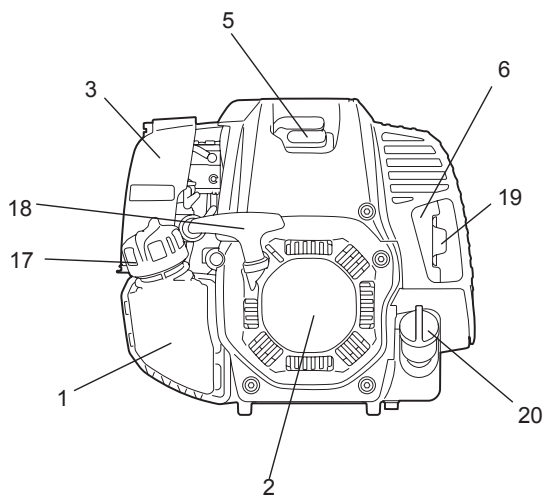
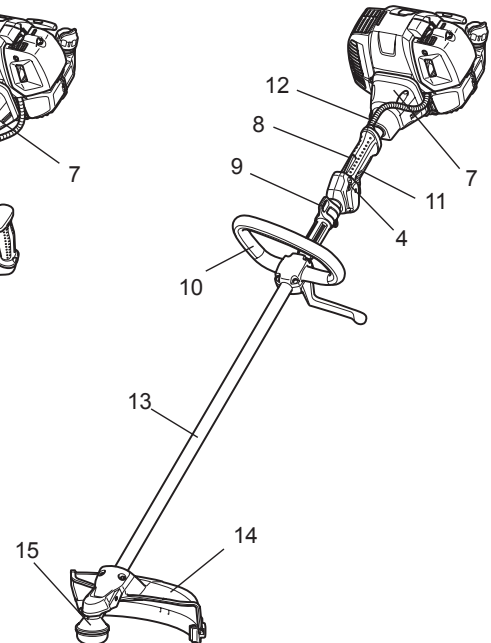
EM4351UH



EM4350UH



EM4350LH



D	BEZEICHNUNG DER BAUTEILE
1	Kraftstofftank
2	Seilzugstarter
3	Luffilter
4	EIN/AUS-Schalter und Schalter für Gashebelentriegelung
5	Zündkerze
6	Auspuffschalldämpfer
7	Kupplungsgehäuse
8	Hinterer Griff
9	Einhänger
10	Griff
11	Gashebel
12	Bowdenzug und Steuerkabel
13	Welle
14	Schutz (Schutz für Schneidwerkzeug)
15	Getriebegehäuse / Kopfgehäuse
16	Griffhalterung
17	Kraftstoff-Tankdeckel
18	Startergriff
19	Abgasleitung
20	Öldeckel

MONTIEREN DES GRIFFS

ACHTUNG: Stoppen Sie vor allen Arbeiten am Werkzeug den Motor und ziehen Sie den Zündkerzenstecker von der Zündkerze.
Tragen Sie immer Schutzhandschuhe!

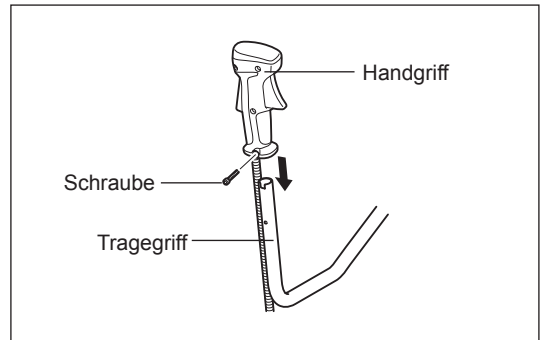
ACHTUNG: Stellen Sie vor dem Starten sicher, dass das Werkzeug wieder vollständig zusammengebaut ist.



Für die Modelle EM4351UH, EM4350UH

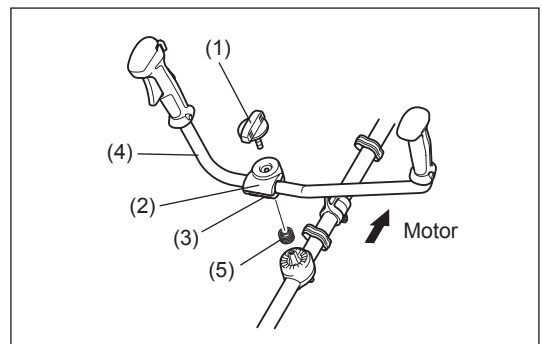
Setzen Sie den Stiel des Tragegriffs in den Handgriff ein, wie in der Abbildung dargestellt.

Richten Sie die Schraubenbohrung im Handgriff mit der Bohrung im Stiel aus. Ziehen Sie die Schraube ordnungsgemäß fest.



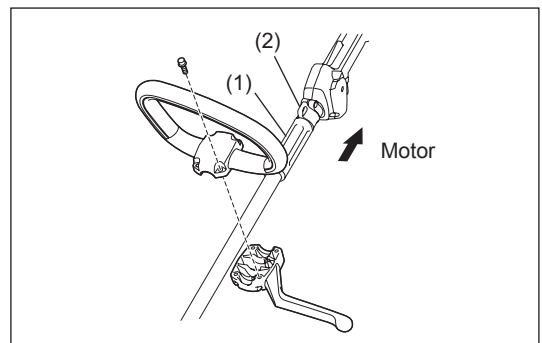
- Lösen Sie den Knauf (1).
- Richten Sie den Tragegriff (4) zwischen Griffklemme (2) und Griffhalterung (3) aus.
- Richten Sie den Tragegriff (4) in einem Winkel aus, der Ihnen eine komfortable Arbeitsposition ermöglicht und sichern Sie diesen anschließend, indem Sie den Knauf (1) handfest anziehen.

ACHTUNG: Vergessen Sie nicht, die Feder (5) anzubringen.



Für Modell EM4350LH

- Befestigen Sie den Bügelgriff, wie dargestellt, mit Hilfe von vier Schrauben an der Welle.
- Um einen sachgemäßen Abstand zwischen den Handgriffen zu halten, setzen Sie das Distanzstück (1) zwischen Bügelgriff und Einhänger (2) ein.



MONTIEREN DES SCHUTZES

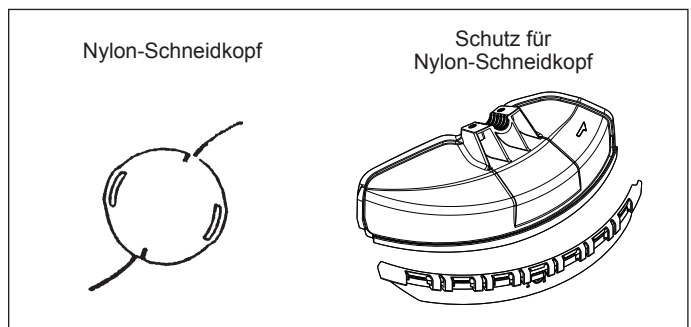
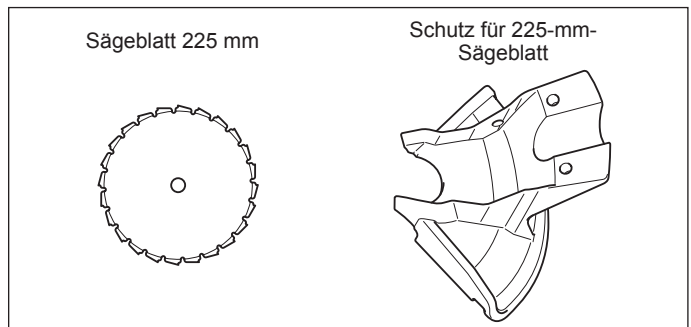
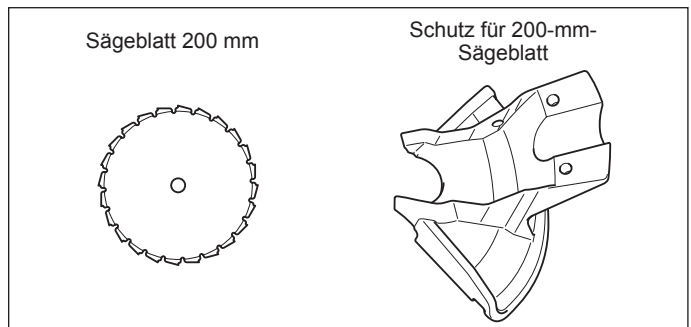
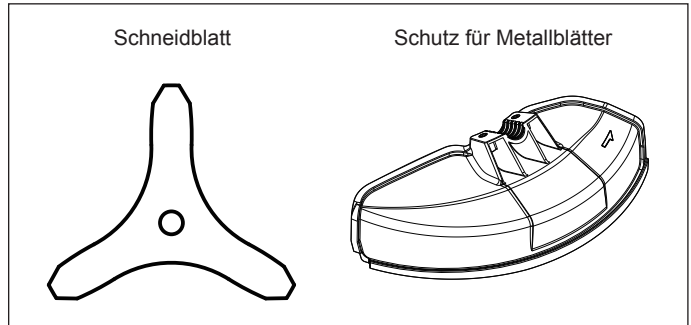
Aufgrund der geltenden Sicherheitsvorschriften dürfen nur die in dieser Übersicht aufgezeigten Werkzeug/Schutz-Kombinationen verwendet werden.

Verwenden Sie ausschließlich Original-Metallblätter bzw. einen Original-Nylon-Schneidkopf von MAKITA (gilt sowohl für Sägeblätter als auch für Schneidblätter).

- Das Metallblatt muss gut geschliffen sein und darf keine Risse oder Brüche aufweisen. Falls das Metallblatt während des Betriebs gegen Steine schlägt, stoppen Sie den Motor und überprüfen Sie das Metallblatt sofort.
- Schleifen oder ersetzen Sie das Metallblatt nach jeweils drei Betriebsstunden.
- Falls der Nylon-Schneidkopf während des Betriebs gegen Steine schlägt, stoppen Sie den Motor und überprüfen Sie den Nylon-Schneidkopf sofort.

ACHTUNG: Für Ihre eigene Sicherheit und gemäß den Bestimmungen zur Unfallverhinderung müssen Sie stets den entsprechenden Schutz anbringen. Der Betrieb des Werkzeugs ohne installierten Schutz ist verboten. Der Außendurchmesser des Schneidblatts darf max. 300 mm (12") betragen. Verwenden Sie niemals ein Blatt mit einem Außendurchmesser über 300 mm (12"). Verwenden Sie den 200-mm-Sägeblattschutz nur zusammen mit einem 200-mm-Sägeblatt. Verwenden Sie den 225-mm-Sägeblattschutz nur zusammen mit einem 225-mm-Sägeblatt. Verwenden Sie bei Verwendung eines Sägeblatts niemals andere Kombinationen.

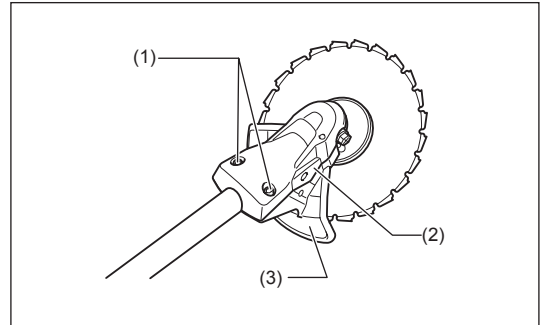
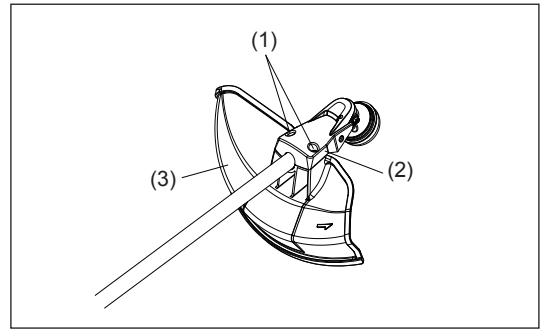
HINWEIS: Die serienmäßige Kombination von Schneidwerkzeugen ist in den einzelnen Ländern unterschiedlich.



- Befestigen Sie bei Verwendung eines Metallblatts den Schutz (3) mit Hilfe von zwei Schrauben (1) an der Klemme (2).

HINWEIS: Ziehen Sie die rechte und linke Schraube gleichmäßig fest, sodass die Lücke zwischen der Klemme (2) und dem Schutz (3) gleich bleibt.

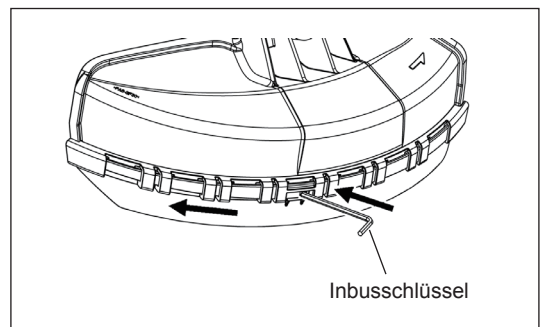
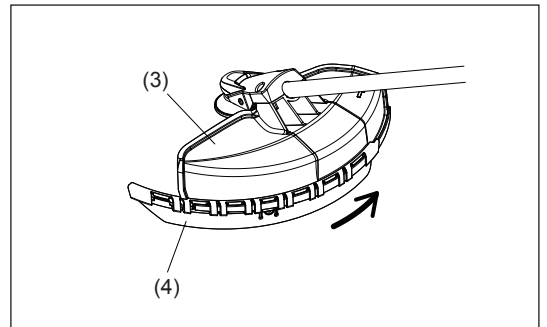
Andernfalls könnte der Schutz ggf. nicht wie angegeben funktionieren.



- Vergewissern Sie sich bei Verwendung des Nylonfaden-Abschneiders, dass der Schutz für den Nylonfaden-Abschneider (4) auf dem Schutz für das Metallblatt (3) befestigt ist.
- Montieren Sie den Schutz des Nylonfaden-Abschneiders (4), indem Sie den Schutz an der Flanke des Schutzes für das Metallblatt (3) hineinschieben, wie in der Abbildung dargestellt.
- Entfernen Sie das auf der Schneide aufgeklebte Band am Schutz des Nylonfaden-Abschneiders (4).

ACHTUNG: Stellen Sie sicher, dass Sie den Schutz des Nylonfaden-Abschneiders (4) vollständig eingedrückt haben. Achten Sie darauf, dass Sie sich nicht an der Schneide des Nylonfaden-Abschneiders verletzen.

- Um den Schutz für den Nylonfaden-Abschneider (4) abzunehmen, führen Sie einen Inbusschlüssel in die Kerbe am Schutz für das Metallblatt (3) ein, drücken Sie den Schlüssel hinein und schieben Sie gleichzeitig den Schutz für den Nylonfaden-Abschneider ab.



MONTIEREN DES METALLBLATTS / NYLON-SCHNEIDKOPFS

Verwenden Sie ausschließlich originale Metallblätter / Nylon-Schneidköpfe von MAKITA.

- Das Metallblatt muss gut geschliffen sein und darf keine Risse oder Brüche aufweisen. Falls das Metallblatt während des Betriebs gegen Steine schlägt, stoppen Sie den Motor und überprüfen Sie das Metallblatt sofort.
- Schleifen oder ersetzen Sie das Metallblatt nach jeweils drei Betriebsstunden.
- Falls der Nylon-Schneidkopf während des Betriebs gegen Steine schlägt, stoppen Sie den Motor und überprüfen Sie den Nylon-Schneidkopf sofort.

ACHTUNG: Für Ihre eigene Sicherheit und gemäß den Bestimmungen zur Unfallverhinderung müssen Sie stets den entsprechenden Schutz anbringen.
Der Betrieb des Werkzeugs ohne installierten Schutz ist verboten.
Der Außendurchmesser des Schneidblatts darf max. 300 mm (12") betragen. Verwenden Sie niemals ein Blatt mit einem Außendurchmesser über 300 mm (12").

Das Metallblatt bzw. den Nylon-Schneidkopf können Sie einfach austauschen, wenn Sie vorher das Werkzeug umdrehen.

- Stecken Sie den Inbusschlüssel durch die Öffnung im Getriebegehäuse und drehen Sie die Aufnahmescheibe (4), bis diese mit dem Inbusschlüssel einrastet.
- Lösen Sie die Mutter (1) (Linksgewinde) mit dem Steckschlüssel, und entfernen Sie die Mutter (1), Kappe (2) und Klemmscheibe (3).

Montieren des Metallblatts mit eingestecktem Inbusschlüssel

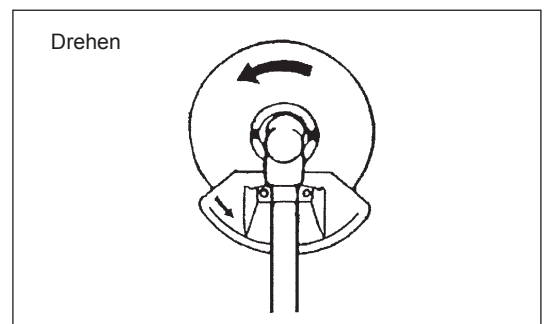
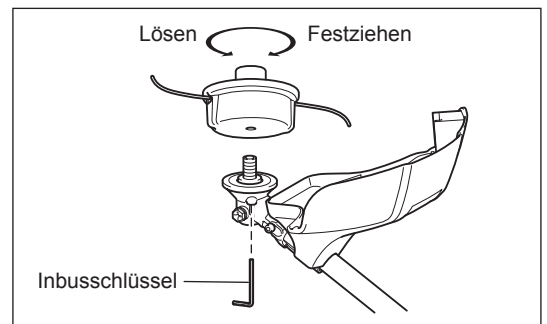
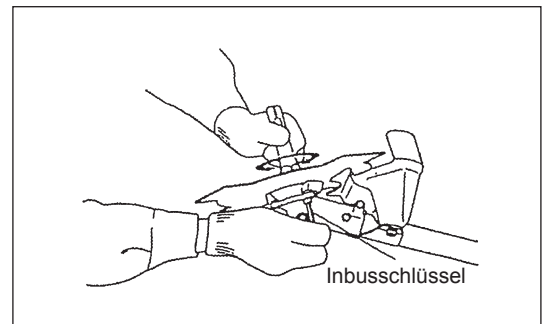
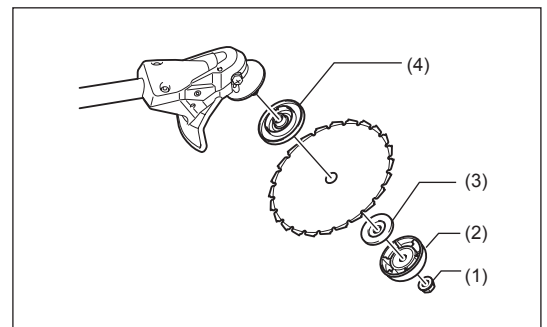
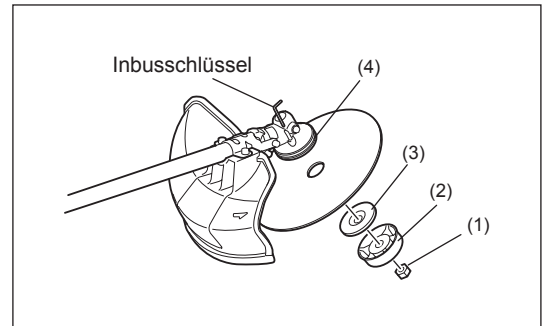
- Montieren Sie das Metallblatt so auf die Welle, dass die Führung der Aufnahmescheibe (4) in das Wellenloch im Metallblatt passt. Befestigen Sie die Klemmscheibe (3) und die Kappe (2), und sichern Sie das Metallblatt mit der Mutter (1).
[Anzugsmoment: 20 bis 30 N m]

HINWEIS: Tragen Sie beim Umgang mit dem Metallblatt immer Schutzhandschuhe.

HINWEIS: Die Mutter zum Festziehen des Metallblatts (mit Federscheibe) ist ein Verschleißteil. Wenn Sie Verschleiß oder Deformation an der Federscheibe feststellen, ersetzen Sie die Mutter.

Montieren des Nylon-Schneidkopfs

- Für die Montage des Nylon-Schneidkopfs werden die Klemmscheibe (3), die Kappe (2) und die Mutter (1) nicht benötigt. Der Nylon-Schneidkopf muss auf die Aufnahmescheibe (4) passen.
- Stecken Sie den Inbusschlüssel durch die Öffnung im Getriebegehäuse und drehen Sie die Aufnahmescheibe (4), bis diese mit dem Inbusschlüssel einrastet.
- Schrauben Sie anschließend den Nylon-Schneidkopf auf die Welle auf, indem Sie den Schneidkopf entgegen den Uhrzeigersinn drehen.
- Entfernen Sie den Inbusschlüssel.



VOR DEM BETRIEB

Inspektion und Nachfüllen von Motoröl

- Gehen Sie dazu, bei abgekühltem Motor, wie folgt vor.
- Legen Sie das Werkzeug unbedingt auf einer ebenen Fläche ab und überprüfen Sie, ob der Ölstand zwischen der Untergrenze und der Obergrenze an der Ölstandsanzeige liegt.
- Wenn der Ölstand unter der Untergrenze liegt, nehmen Sie den Öldeckel ab, und füllen sie Öl auf.
- Der Bereich um die Markierungen außen ist transparent, so dass Sie den Ölstand im Inneren prüfen können, ohne den Öldeckel abzunehmen. Wenn die Ölleitung jedoch stark verschmutzt ist, kann die Transparenz verloren gehen, und der Ölstand muss am gestuften Bereich im Inneren der Ölleitung geprüft werden.
- Ein Auffüllen von Öl ist nach jeweils ca. 10 Betriebsstunden (10 Auftankungen) erforderlich. Falls das Öl seine Farbe geändert oder sich mit Schmutz vermischt hat, ersetzen Sie es durch neues Öl. (Weitere Informationen über Zeitraum und Vorgehensweise für den Ölwechsel finden Sie auf Seite 74.)

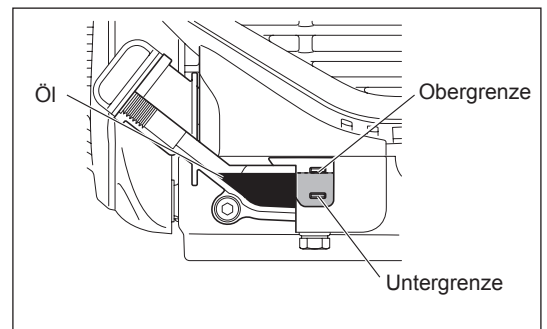
Empfohlenes Öl: Öl der API-Klassifikation SAE 10W-30, Klasse SF oder höher (Viertaktmotor für Autos)

Ölmenge: ca. 0,10 L

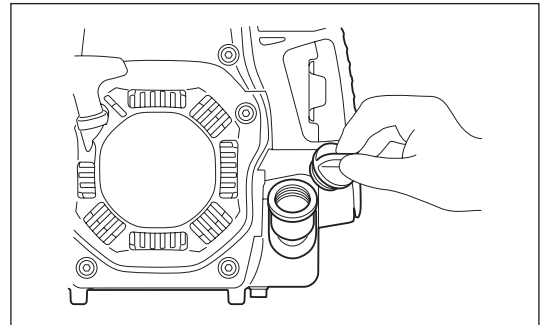
HINWEIS: Wenn sich der Motor nicht, wie dargestellt, auf einer waagerechten Fläche befindet, wird möglicherweise ein nicht zutreffender Ölstand angezeigt, wodurch möglicherweise zu viel Öl aufgefüllt wird. Bei Auffüllen von Öl über die Obergrenze kann es zu Verschmutzungen durch Öl und/oder Entwicklung von weißem Rauch kommen.

Ölwechsel: „Öldeckel“

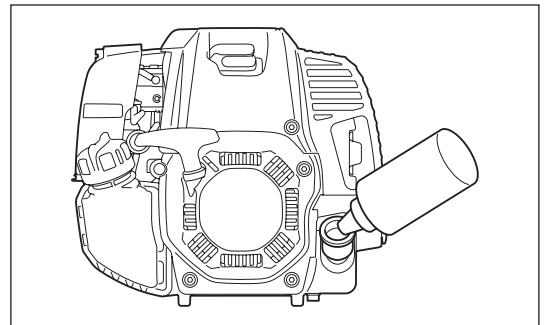
- Entfernen Sie Staub und Schmutz um den Öleinfüllstutzen, und nehmen Sie den Öldeckel ab.
- Halten Sie den abgenommenen Öldeckel frei von Sand und Staub. Andernfalls kann am Öldeckel anheftender Sand oder Staub eine abnormale Ölzirkulation oder einen Verschleiß der Motorteile und dadurch Probleme verursachen.



(1) Halten Sie den Motor waagrecht, und nehmen Sie den Öldeckel ab.



(2) Füllen Sie Öl bis zur Markierung für die Obergrenze auf. Verwenden Sie zum Auffüllen eine Ölflasche.



(3) Ziehen Sie den Öldeckel fest. Bei unzureichendem Festziehen kann Öl auslaufen.

Hinweis

- Wechseln Sie das Öl nicht in geneigter Position des Motors.
- Beim Auffüllen von Öl mit dem Motor in einer geeigneten Position wird zu viel Öl aufgefüllt, und es kann zu Ölverschmutzungen und/oder Ölnebelbildung kommen.

Nach dem Auffüllen von Öl

- Wischen Sie danebengelaufenes Öl sofort mit einem Putzlappen ab.

AUFTANKEN

Umgang mit Kraftstoff

Beim Umgang mit Kraftstoff ist äußerste Vorsicht geboten. Kraftstoffe können Lösungsmitteln ähnliche Substanzen enthalten. Tanken Sie nur in einem gut belüfteten Raum oder im Freien auf. Atmen Sie Kraftstoffdämpfe nicht ein, und vermeiden Sie jeglichen Körperkontakt mit Kraftstoff. Durch anhaltenden oder wiederholten Hautkontakt wird die Haut trocken, und es kann zu Hauterkrankungen oder allergischen Reaktionen kommen. Falls Kraftstoff in die Augen gelangt, Augen sofort mit frischem Wasser spülen! Falls die Augenirritation anhält, suchen Sie einen Arzt auf.

Aufbewahrungszeitraum von Kraftstoff

Kraftstoff sollte innerhalb eines Zeitraums von 4 Wochen verwendet werden, auch wenn er in einem speziellen Container an einem gut belüfteten, schattigen Ort gelagert wird.

Andernfalls kann sich der Kraftstoff schon innerhalb eines Tages zersetzen.

LAGERUNG DES WERKZEUGS UND DES KRAFTSTOFFKANISTERS

- Lagern Sie das Werkzeug und den Kraftstoffkanister an einem kühlen Ort ohne direkte Sonneneinstrahlung.
- Bewahren Sie Kraftstoff niemals in einem Kraftfahrzeug auf.

Kraftstoff

Bei dem Motor handelt es sich um einen Viertaktmotor. Verwenden Sie ausschließlich einen unverbleiten Auto-Vergaserkraftstoff mit mindestens 87 Oktan ((R+M)/2). Der Alkoholanteil darf maximal 10 % (E-10) betragen.

Wichtige Punkte beim Tanken

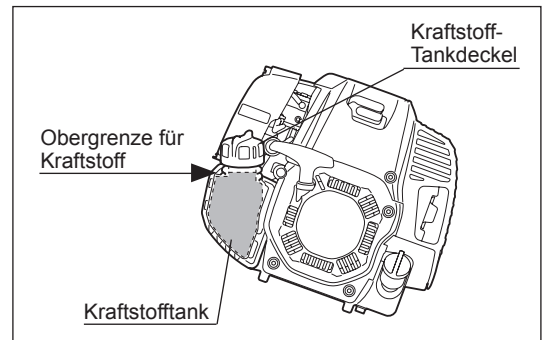
- Verwenden Sie niemals ein Gemisch aus Kraftstoff und Motorenöl. Andernfalls treten übermäßige Kohleablagerungen oder mechanische Probleme auf.
- Die Verwendung von minderwertigem Öl führt zu einem ungleichförmigen Anlaufen.

Auftanken

WARNUNG: Schalten Sie den Motor aus, halten Sie den Motor von offenen Flammen fern und rauchen Sie während des Auftankens nicht.

- Lösen Sie den Tankdeckel etwas, um den Druck abzulassen.
- Nehmen Sie den Tankdeckel ab. Tanken Sie das Werkzeug auf und leiten Sie die Luft ab, indem Sie den Kraftstofftank neigen, sodass der Einfüllstutzen nach oben zeigt. Füllen Sie den Tank NICHT randvoll.
- Wischen Sie den Bereich um den Tankdeckel gründlich sauber, damit keine Fremdkörper in den Kraftstofftank gelangen.
- Schrauben Sie nach dem Auftanken den Tankdeckel ordnungsgemäß fest.

- Falls der Tankdeckel Makel oder Beschädigungen aufweist, ersetzen Sie den Deckel.
- Der Tankdeckel nutzt sich im Laufe der Zeit ab. Ersetzen Sie den Tankdeckel alle zwei bis drei Jahre.
- Füllen Sie KEINEN Kraftstoff in die Öleinfüllstutzen.



RICHTIGE HANDHABUNG DES WERKZEUGS

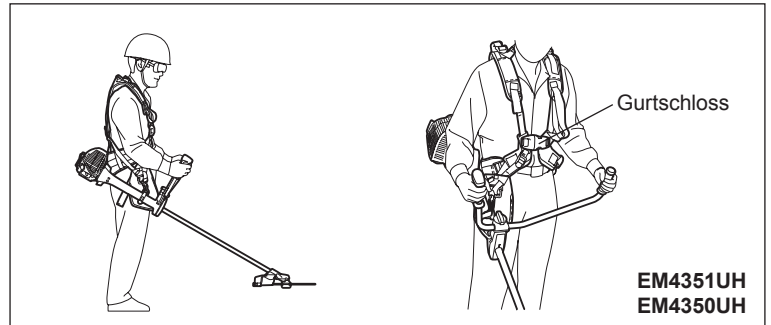
Befestigen des Schultergurts

- Stellen Sie die Gurtlänge so ein, dass das Metallblatt parallel zum Boden geführt wird.

Für EM4351UH, EM4350UH

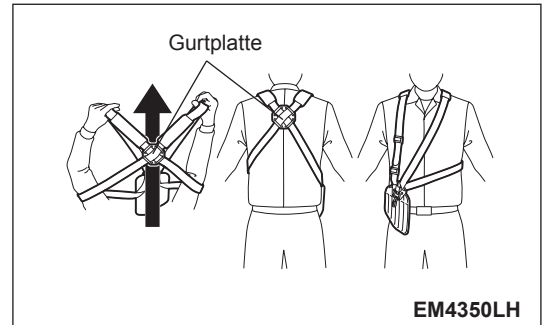
Halten Sie den Gurt auf Ihrem Rücken, befestigen Sie den Gurt im Gurtschloss, und stellen Sie die Länge der Bänder ein.

HINWEIS: Achten Sie darauf, dass sich Ihre Kleidung usw. nicht im Gurtschloss verfängt.



Für EM4350LH

- 1) Legen Sie die Gurtplatte an. Führen Sie Ihre Arme und Ihren Kopf durch den Gurt.
- 2) Wenn Sie den Gurt ordnungsgemäß anlegen, sitzt die Gurtplatte auf Ihrem Rücken, und die Einsteller und der Haken befinden sich an Ihrer rechten Seite.



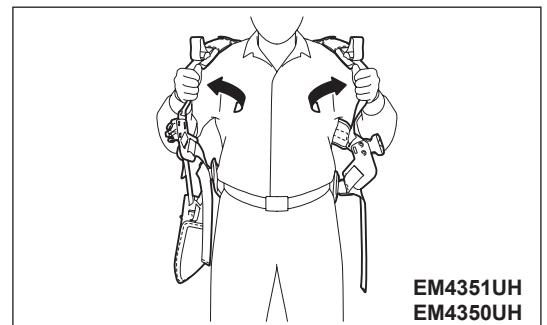
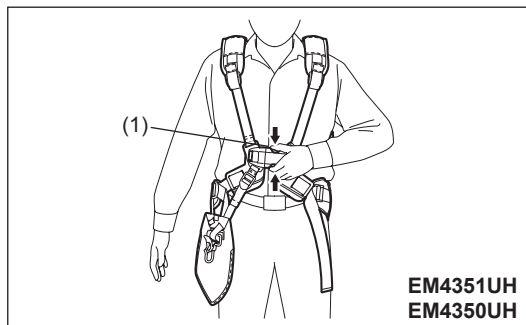
Lösen des Werkzeugs

Für EM4351UH, EM4350UH

- Um das Werkzeug zu lösen, drücken Sie die Seiten des Gurtschlösses (1) zusammen und ziehen Sie den Schultergurt ab.

Gehen Sie äußerst vorsichtig vor, damit Sie jederzeit die Kontrolle über das Werkzeug behalten. Lassen Sie nicht zu, dass das Werkzeug in Ihre Richtung oder in Richtung anderer Personen in Ihrer Nähe schwenkt.

WARNUNG: Andernfalls können Sie die Kontrolle über das Werkzeug verlieren, wodurch es zu schweren oder gar TÖDLICHEN Verletzungen kommen kann.

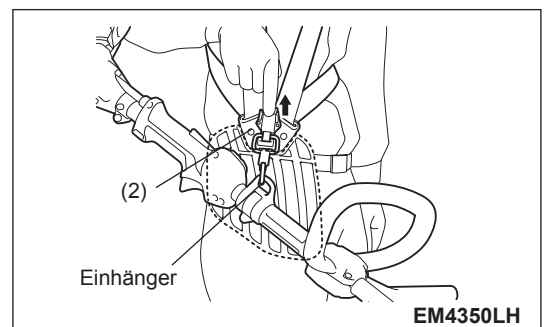


Für EM4350LH

- Um das Werkzeug zu lösen, lösen Sie den Notfall-Trennhebel (2), indem Sie mit den Fingern kraftvoll am Hebel ziehen.

Gehen Sie äußerst vorsichtig vor, damit Sie jederzeit die Kontrolle über das Werkzeug behalten. Lassen Sie nicht zu, dass das Werkzeug in Ihre Richtung oder in Richtung anderer Personen in Ihrer Nähe schwenkt.

WARNUNG: Andernfalls können Sie die Kontrolle über das Werkzeug verlieren, wodurch es zu schweren oder gar TÖDLICHEN Verletzungen kommen kann.



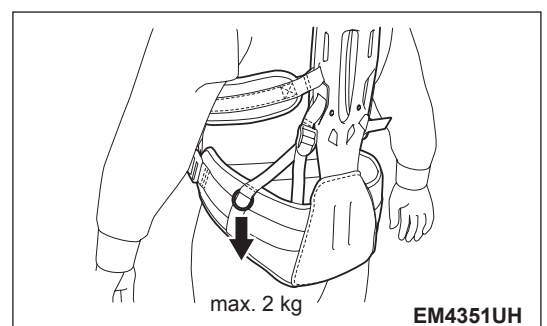
Einhängring

Für EM4351UH

- Am Ring können Gegenstände mit einem Gewicht von bis zu 2 kg eingehängt werden.

HINWEIS: Hängen Sie keine Gegenstände mit einem Gewicht über 2 kg an den Ring. Bei schwereren Gegenständen kann der Ring versagen, und der Gegenstand kann beschädigt werden.

ACHTUNG: Hängen Sie keine Gegenstände an den Ring, die sich in Büschen oder Gesträuch verfangen könnten. Wenn sich ein solcher Gegenstand verfängt, kann es zum Verlust des Gleichgewichts und der Kontrolle und dadurch zu Verletzungen kommen.



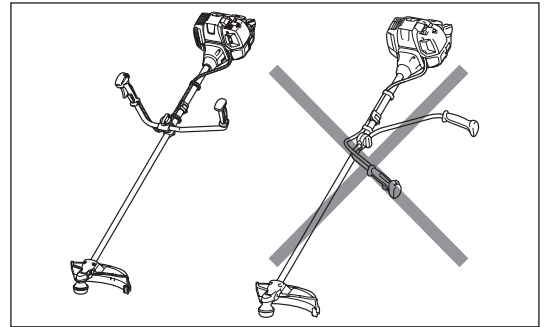
WICHTIGE BETRIEBSSCHRITTE UND STOPPEN DES WERKZEUGS

Beachten Sie die geltenden Bestimmungen zur Unfallverhütung!



Bringen Sie immer erst den Griff in die ordnungsgemäße Stellung, bevor Sie das Werkzeug starten.

Andernfalls kann es aufgrund von Zug oder Biegung des Gasbowdenzugs zu einem Gasgeben und dadurch zu einem unerwarteten Rotieren des Werkzeugs kommen.

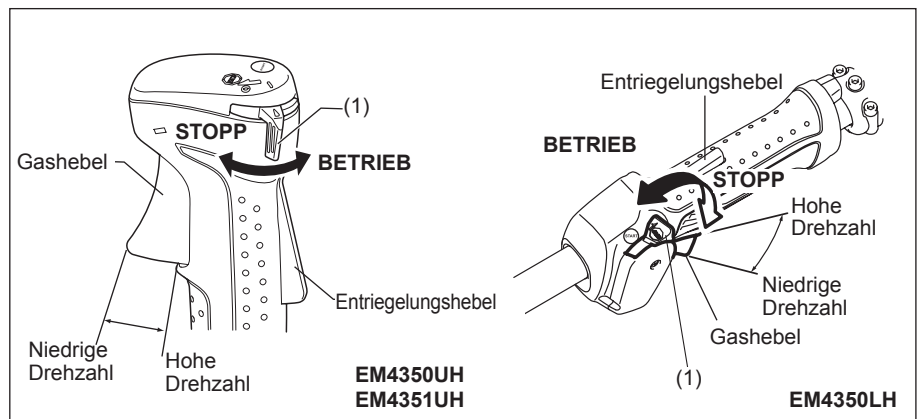


STARTEN

Bewegen Sie sich mindestens 3 m von dem Platz des Auftankens weg. Legen Sie das Werkzeug auf einem sauberen Untergrund ab und achten Sie darauf, dass das Schneidwerkzeug nicht in Kontakt mit dem Erdboden oder anderen Gegenständen kommt.

A: Kaltstart

- 1) Legen Sie das Werkzeug auf einer ebenen Fläche ab.
- 2) Stellen Sie den EIN/AUS-Schalter (1) auf BETRIEB.

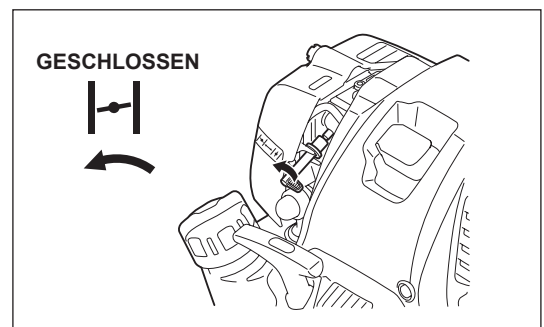


- 3) Choke-Hebel

Schließen Sie den Choke-Hebel.

Öffnen des Chokes:

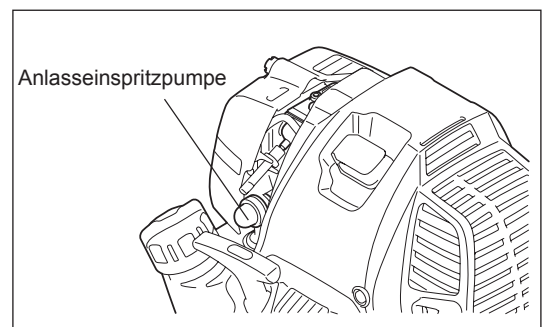
- Bei kalten Temperaturen oder wenn der Motor kalt ist, ist der Choke völlig geschlossen.
- Wenn der Motor bereits etwas warm ist, wie z. B. nach dem Neustart des Motors direkt nach dem Stoppen nach dem Aufwärmen, öffnen Sie den Choke zur Hälfte oder vollständig.



- 4) Anlasseinspritzpumpe

Drücken Sie die Anlasseinspritzpumpe so lange, bis Kraftstoff in die Anlasseinspritzpumpe eintritt. (Normalerweise reichen 7 bis 10 Betätigungen.)

Falls die Anlasseinspritzpumpe zu lange betätigt wird, fließt überflüssiger Kraftstoff zurück in den Kraftstofftank.

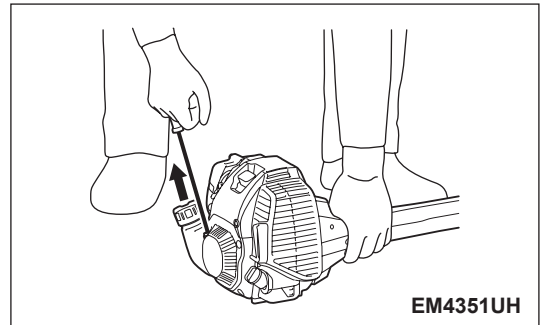
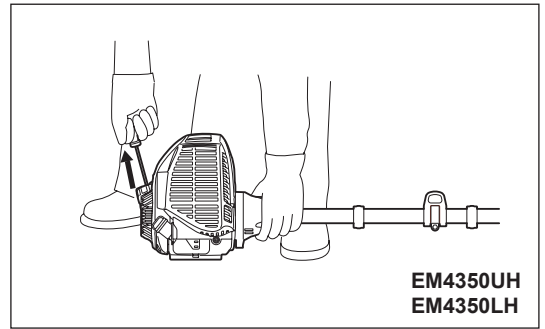


- 5) Seilzugstarter
Achten Sie auf sicheren und festen Stand.
Halten Sie das Werkzeug mit der linken Hand und drücken Sie es fest nach unten.

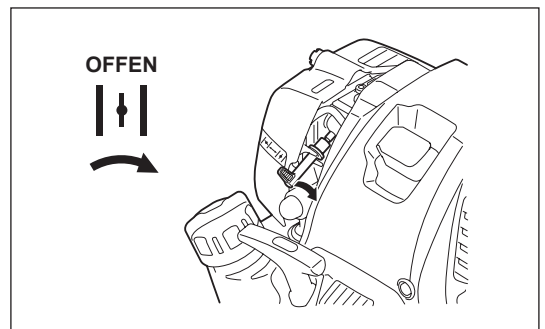
ACHTUNG: Stellen oder knien Sie sich niemals auf den Gas-Bowdenzug.
Anderenfalls könnte das Seil im Inneren gezogen werden, wodurch sich das Schneidwerkzeug unbeabsichtigt zu drehen beginnt.
Geben Sie kein Gas.

Ziehen Sie leicht am Startergriff, bis Sie einen gewissen Widerstand spüren.
Lassen Sie anschließend den Startergriff zurückwickeln, und ziehen Sie den Startergriff nun kräftig durch.

Ziehen Sie das Starterseil niemals ganz heraus. Lassen Sie beim Ziehen den Startergriff niemals unvermittelt los. Halten Sie den Startergriff, bis dieser in die ursprüngliche Lage zurückgekehrt ist.



- 6) Choke-Hebel
Bringen Sie nach dem Starten des Motors den Choke-Hebel in die Stellung OFFEN.
– Öffnen Sie den Choke-Hebel schrittweise weiter, während Sie den Betrieb des Motors prüfen. Vergewissern Sie sich, dass Sie am Ende den Choke-Hebel vollständig geöffnet haben.
– Öffnen Sie im kalten oder abgekühlten Zustand des Motors den Choke-Hebel niemals plötzlich. Andernfalls stoppt der Motor.



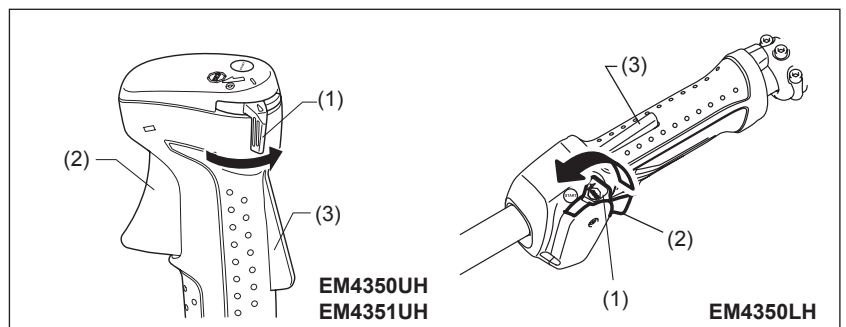
- 7) Aufwärmbetrieb
Setzen Sie den Aufwärmbetrieb für 2 bis 3 Minuten fort.
HINWEIS: Betätigen Sie den Gashebel nicht unnötigerweise, wenn der Motor nicht läuft. Andernfalls könnten Kraftstoff aus dem Luftfilter austreten. Wischen Sie in einem solchen Fall den Kraftstoff ab. Öffnen Sie außerdem die Luftfilterabdeckung und reinigen Sie den Filtereinsatz und die Luftfilterplatte.

HINWEIS:

- Betätigen Sie den Gashebel nicht unnötigerweise, wenn der Motor nicht läuft. Anderenfalls könnte zu viel Kraftstoff in den Motor gelangen, wodurch der Motor schwieriger gestartet werden kann.
- Falls zu viel Kraftstoff in den Motor gelangt ist („Absaufen“), schrauben Sie die Zündkerze heraus und ziehen Sie langsam am Startergriff, damit der überflüssige Kraftstoff aus dem Motor austritt. Trocknen Sie außerdem die Elektroden der Zündkerze.
- Wenn der Motor anspringt und kurz darauf wieder ausgeht, bringen Sie den Choke-Hebel wieder in die Stellung OFFEN und starten Sie den Motor, indem Sie mehrmals den Startergriff ziehen.
- Falls der Choke-Hebel in der Stellung GESCHLOSSEN verbleibt und der Startergriff wiederholt gezogen wird, wird zu viel Kraftstoff angesaugt, und der Motor wird schwer zu starten sein.
- Lassen Sie den Motor beim Aufwärmen nicht unnötigerweise mit hoher Drehzahl laufen.

B: Warmstart

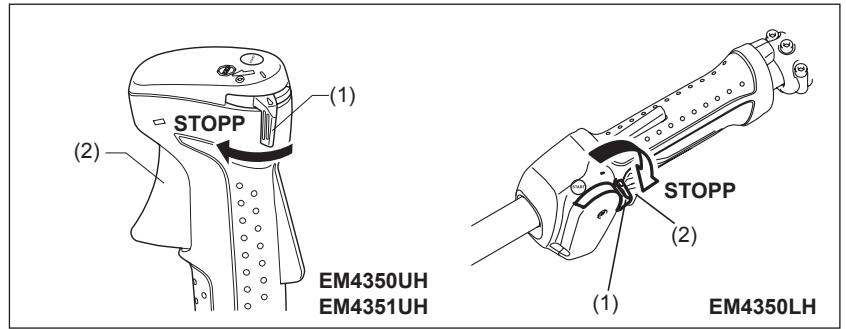
- 1) Lassen Sie den Choke-Hebel voll geöffnet.
- 2) Betätigen Sie mehrmals die Anlasseinspritzpumpe.
- 3) Halten Sie den Gashebel in der Leerlaufposition.
- 4) Ziehen Sie den Seilzugstarter kräftig durch.
- 5) Falls sich der Motor schwer starten lässt, lassen Sie den Entriegelungshebel (3) los, ziehen Sie den Gashebel (2), und bringen Sie den EIN/AUS-Schalter (1) in die Position „Gashebel verriegelt“. Halten Sie den EIN/AUS-Schalter (1), und lassen Sie den Gashebel (2) und den Entriegelungshebel (3) los. Ziehen Sie dann den Startergriff.
WARNUNG: Beachten Sie, dass sich das Schneidwerkzeug sofort zu drehen beginnt.



- 6) Nachdem der Motor gestartet hat, lassen Sie den Entriegelungshebel (3) los, ziehen Sie den Gashebel (2), und lassen Sie die Hebel los, damit der Motor im Leerlauf läuft.

STOPPEN

- 1) Lassen Sie den Gashebel (2) vollkommen los, und bringen Sie, nachdem sich die Motordrehzahl verlangsamt hat, den EIN/AUS-Schalter (1) in die Position STOPP (STOP), um den Motor zu stoppen.
- 2) Nach dem Stoppen des Motors rotiert das Schneidwerkzeug eine gewisse Zeit lang nach. Warten Sie, bis das Schneidwerkzeug vollständig angehalten hat.

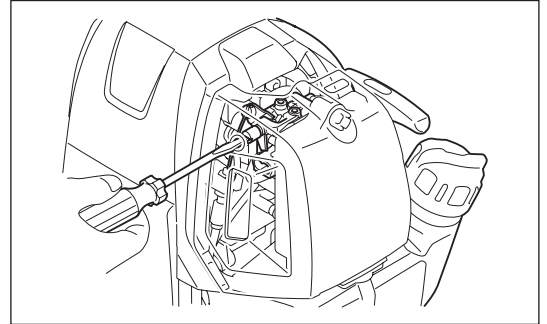


EINSTELLEN DER LEERLAUFDREHZAHL

Passen Sie die Leerlaufdrehzahl bei Bedarf mit Hilfe der Vergaser-Einstellschraube an.

ÜBERPRÜFEN DER LEERLAUFDREHZAHL

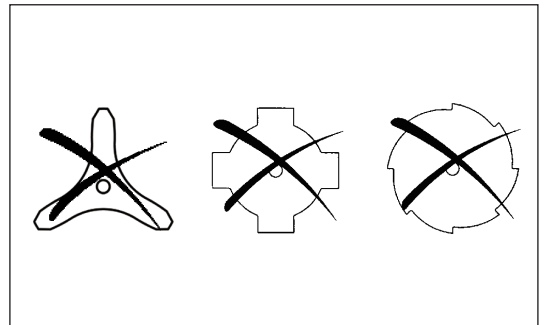
- Stellen Sie eine Leerlaufdrehzahl von 3.000 min^{-1} ein.
Wenn die Leerlaufdrehzahl nachgestellt werden muss, setzen Sie einen Kreuzschlitz-Schraubendreher auf die rechts dargestellte Schraube auf.
- Um die Leerlaufdrehzahl zu erhöhen, drehen Sie die Einstellschraube im Uhrzeigersinn.
Um die Leerlaufdrehzahl zu verringern, drehen Sie die Einstellschraube gegen den Uhrzeigersinn.
- Der Vergaser wurde werksseitig eingestellt. Nach einer gewissen Nutzungszeit muss jedoch möglicherweise die Leerlaufdrehzahl nachgestellt werden.



NACHSCHÄRFEN DES SCHNEIDWERKZEUGS

ACHTUNG: Die in der Abbildung dargestellten Schneidwerkzeuge dürfen nicht geschärft werden. Ein manuelles Nachschärfen führt zu Unwuchten des Schneidwerkzeugs, wodurch Vibrationen und Beschädigungen des Werkzeugs verursacht werden.

HINWEIS: Zur Verlängerung der Lebenszeit des Schneidblatts kann das Schneidblatt einmal umgedreht werden, damit beide Seiten der Schneidkanten abgenutzt werden.



NYLON-SCHNEIDKOPF

Der Nylon-Schneidkopf ist ein zweiseitiger Trimmerkopf mit einem Mechanismus zum Nachführen des Schneidfadens durch leichtes Aufstoßen des Schneidkopfs auf den Boden (BUMP & FEED).

Nachdem der Nylon-Schneidkopf auf den Boden aufgestoßen wurde, gibt er automatisch die richtige Länge an Nylonfaden heraus, dies geschieht durch Ändern der Zentrifugalkraft aufgrund der Zunahme oder Abnahme der Drehzahl.

Bedienung

- Erhöhen Sie die Drehzahl des Nylon-Schneidkopfes auf ca. 6.000 min^{-1} . Stoßen Sie den Nylon-Schneidkopf leicht auf den Boden auf.
- Der Schneidbereich mit der höchsten Wirkung ist in der Abbildung rechts schraffiert dargestellt.
- Falls der Nylonfaden nicht herausgeführt wird, spulen Sie den Nylonfaden auf oder tauschen Sie ihn aus (siehe Abschnitt „Ersetzen des Nylonfadens“).



Ersetzen des Nylonfadens (BUMP & FEED)

WARNUNG: Vergewissern Sie sich, dass die Abdeckung des Nylon-Schneidkopfes ordnungsgemäß auf dem Gehäuse gesichert ist (siehe folgende Beschreibung). Bei unsachgemäß gesicherter Abdeckung kann der Nylon-Schneidkopf auseinanderfliegen und schwere Verletzungen verursachen.

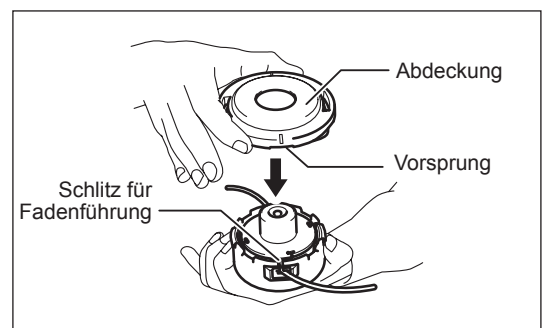
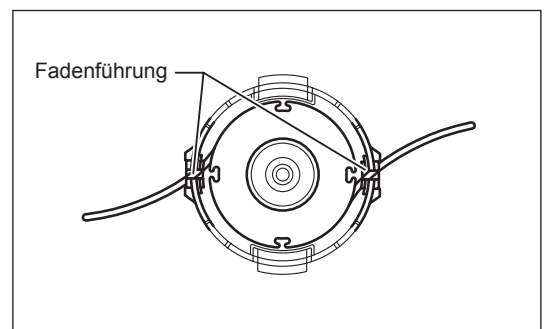
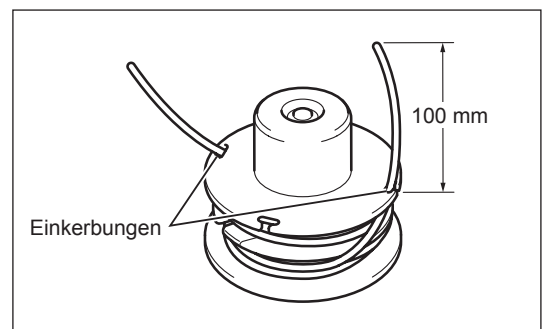
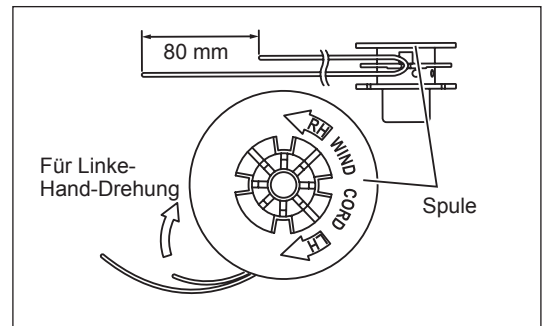
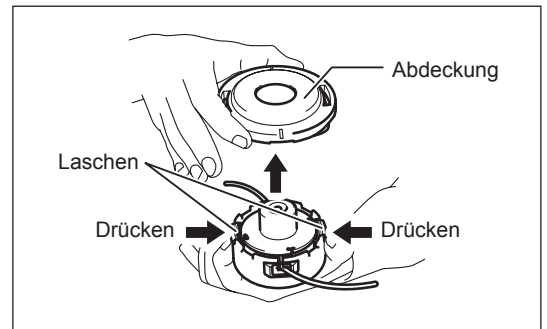
Drücken Sie die Laschen am Gehäuse und ziehen Sie die Abdeckung nach oben ab.
Entfernen Sie die noch vorhandenen Reste des Nylonfadens.

Haken Sie die Mitte des neuen Nylonfadens in die Einkerbung in der Mitte der Spule zwischen den 2 Kanälen für den Nylonfaden ein. Eine Seite des Fadens muss ca. 80 mm länger sein als das andere Ende.
Wickeln Sie beide Enden fest und in Richtung Linksdrehung (markiert durch „LH“ auf dem Spulenkopf) um die Spule.

Wickeln Sie etwa 100 mm des Fadens um die Spule und lassen Sie die Enden vorübergehend in der Einkerbung an der Seite der Spule eingehängt.

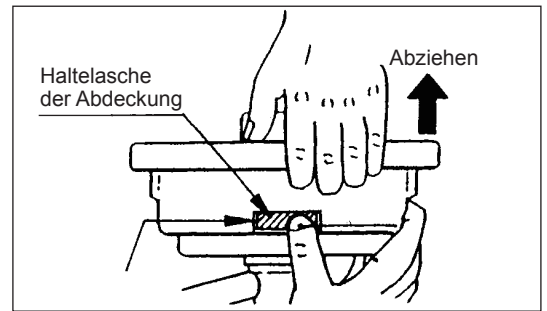
Montieren Sie die Spule in das Gehäuse, sodass die Kerben und Vorsprünge an der Spule mit denen im Gehäuse übereinstimmen. Die Seite mit den Buchstaben der Spule muss nach oben zeigen, sodass die Buchstaben sichtbar sind. Haken Sie nun die Enden des Fadens aus ihrer vorübergehenden Positionen aus, und führen Sie den Faden durch die Fadenführungen, sodass die Fäden aus dem Gehäuse herausragen.

Richten Sie den Vorsprung an der Unterseite der Abdeckung an den Schlitzen der Fadenführungen aus.
Drücken Sie dann die Abdeckung fest auf das Gehäuse. Vergewissern Sie sich, dass die Laschen richtig in der Abdeckung sitzen.

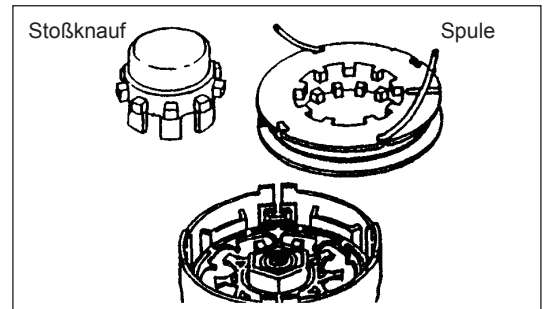


Ersetzen des Nylonfadens (ULTRA AUTO)

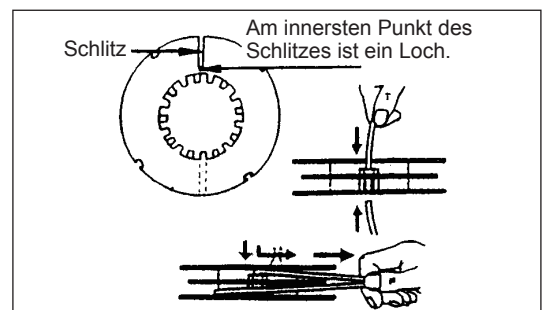
1. Schieben Sie die Abdeckung vom Gehäuse; drücken Sie dazu die zwei Haltetaschen der Abdeckung, die sich am Gehäuse gegenüber liegen.



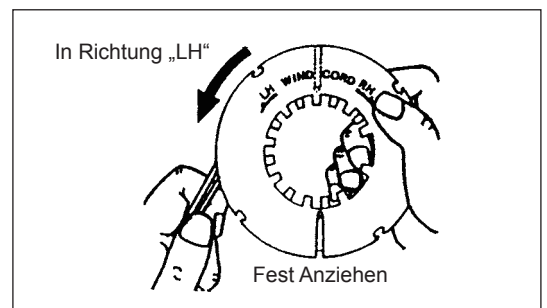
2. Nehmen Sie Stoßknauf und Spule vom Gehäuse ab.



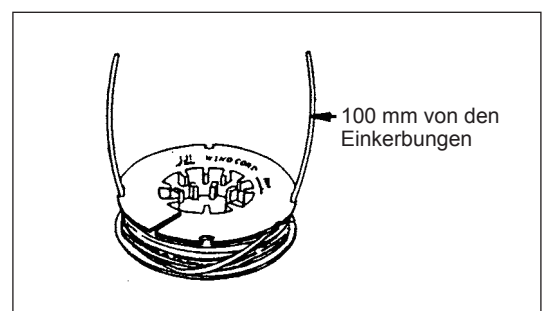
3. Führen Sie jedes der Enden der zwei Schneidfäden durch die Löcher im Innersten des Schlitzes an einem der Spulenaußenflansche. Führen Sie die Fäden in die Spulennuten durch die einzelnen Schlitz an den Flanschen.



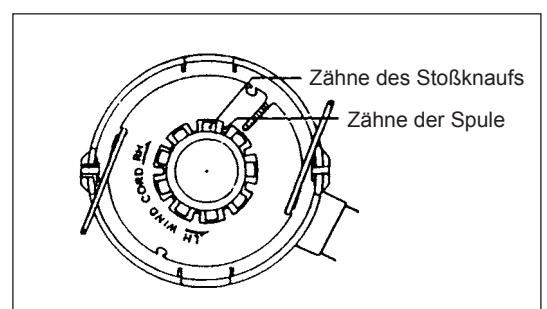
4. Winden Sie die Fäden fest in der abgebildeten Richtung (Linkshanddrehung (LH), durch Pfeil auf dem Flansch gekennzeichnet). Überkreuzen Sie die Fäden nicht.



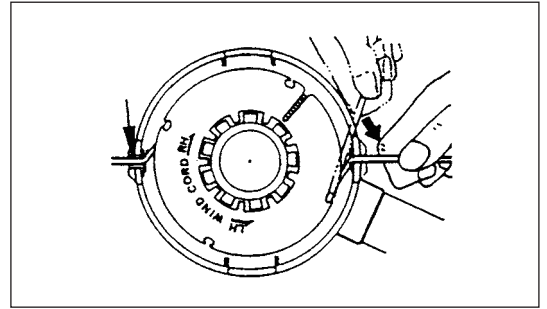
5. Winden Sie etwa 100 mm des Fadens um die Spule und lassen Sie die Enden vorübergehend in der Einkerbung an der Seite der Spule eingehängt.



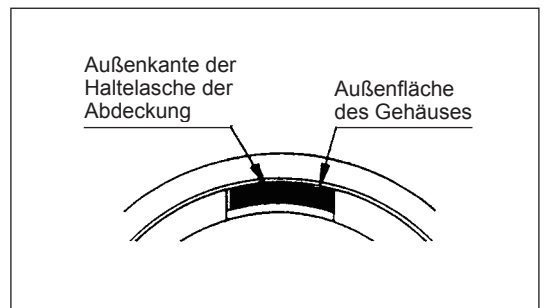
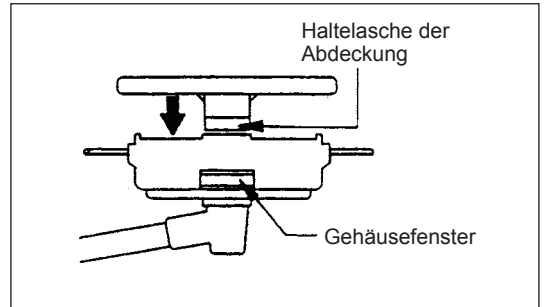
6. Setzen Sie den Stoßknauf auf die Gehäusemitte auf und positionieren Sie den Knauf so, dass er sich frei nach oben und unten gegen die Federspannung bewegen kann. Setzen Sie die Spule in das Gehäuse ein und richten Sie die Zähne der Spule und des Knaufs zueinander aus.



7. Führen Sie die Schneidfäden durch den Schlitz der Seilführung ein.



8. Stecken Sie die Abdeckung auf das Gehäuse, richten Sie die Laschen an der Abdeckung und am Gehäusefenster aus. Stellen Sie sicher, dass die Abdeckung exakt am Gehäuse gesichert ist. Die Außenkante der Haltetasche der Abdeckung und die Außenfläche des Gehäuses müssen bündig abschließen.



WARTUNGSANWEISUNGEN

ACHTUNG: Stoppen Sie vor allen Arbeiten am Werkzeug den Motor und ziehen Sie den Zündkerzenstecker von der Zündkerze (siehe „Überprüfen der Zündkerze“) ab.
Tragen Sie immer Schutzhandschuhe!

Führen Sie die folgenden Wartungsarbeiten regelmäßig durch, um eine lange Lebenszeit des Werkzeugs zu erzielen und Beschädigungen am Werkzeug zu vermeiden.

Tägliche Inspektionen und Wartungsarbeiten

- Überprüfen Sie das Werkzeug vor dem Betrieb auf gelockerte Schrauben und fehlende Teile. Achten Sie besonders auf den festen Sitz des Metallblattes bzw. des Nylon-Schneidkopfes.
- Sorgen Sie vor jedem Betrieb dafür, dass die Kühlluftwege und Zylinderlamellen frei sind.
Reinigen Sie diese bei Bedarf.
- Führen Sie täglich nach der Arbeit die folgenden Wartungsarbeiten durch:
 - Reinigen Sie das Werkzeug äußerlich und überprüfen Sie das Werkzeug auf Beschädigungen.
 - Reinigen Sie den Luftfilter. Wenn Sie unter sehr staubigen Bedingungen arbeiten, reinigen Sie den Filter mehrmals am Tag.
 - Prüfen Sie das Schneidblatt bzw. den Nylon-Schneidkopf auf Beschädigungen und auf ordnungsgemäßen Sitz.
 - Prüfen Sie, ob der Unterschied zwischen Leerlauf- und Betriebsdrehzahlen ausreichend ist, damit das Werkzeug bei Leerlauf des Motors im Stillstand ist (reduzieren Sie bei Bedarf die Leerlaufdrehzahl).
Falls sich das Werkzeug während des Leerlaufs des Motors weiter dreht, wenden Sie sich an das nächste autorisierte Servicezentrum.
- Prüfen Sie den EIN/AUS-Schalter, den Entriegelungshebel, den Gashebel und die Verriegelungstaste auf ordnungsgemäße Funktion.

WECHSELN DES MOTORÖLS

Durch überaltertes Motoröl verkürzt sich die Lebenszeit des Motors. Überprüfen Sie Öl und Ölstand regelmäßig.



WARNUNG: Kurz nach dem Stoppen des Motors sind Motor und Motoröl sehr heiß. Warten Sie ausreichend lange, bis sich Motor und Motoröl abgekühlt haben. Andernfalls kann es zu Verbrennungen der Haut kommen.

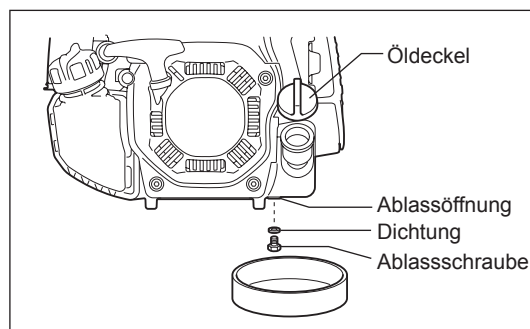
HINWEIS: Falls zu viel Öl eingefüllt wird, kann das Öl verschmutzt werden oder mit weißem Rauch Feuer fangen. Warten Sie nach dem Stoppen des Motors ausreichend lange, bis das Motoröl in den Öltank zurückgelaufen ist, damit der korrekte Ölstand abgelesen werden kann.

Zeiträume für den Ölwechsel: Nach den ersten 20 Betriebsstunden, anschließend nach jeweils 50 Betriebsstunden

Empfohlenes Öl: Öl der API-Klassifikation SAE 10W-30, Klasse SF oder höher (Viertaktmotor für Autos)

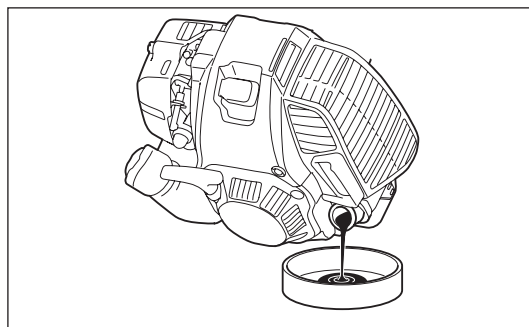
So führen Sie einen Ölwechsel aus:

- 1) Stellen Sie sicher, dass der Kraftstoff-Tankdeckel ordnungsgemäß festgeschraubt ist.
- 2) Stellen Sie einen Behälter ausreichender Größe (Auffangwanne, usw.) unter die Ablassöffnung.
- 3) Drehen Sie die Ablassschraube heraus und nehmen Sie anschließend den Öldeckel ab, damit das Öl aus der Ablassöffnung fließt. Bewahren Sie die Dichtung der Ablassschraube gut auf und achten Sie darauf, dass die ausgebauten Teile nicht verschmutzen.
- 4) Setzen Sie, nachdem alles Öl abgelassen wurde, Dichtung und Ablassschraube ein und ziehen Sie die Ablassschraube fest, so dass sich diese nicht löst und ein Auslaufen von Öl verursacht.
[Anzugsmoment: 5 N m]
* Wischen Sie mit einem Tuch an der Schraube und am Werkzeug anhaftendes Öl ab.



Alternative Ablassmethode

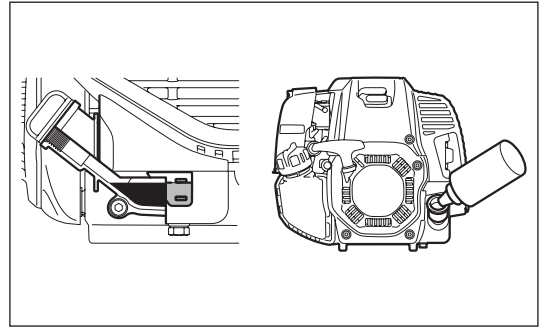
Nehmen Sie den Öldeckel ab, neigen Sie das Werkzeug in Richtung Ölfüllöffnung, und lassen Sie das Öl ab.
Sammeln Sie das Öl in einem Behälter.



- 5) Legen Sie das Werkzeug waagrecht ab und füllen Sie nach und nach Frischöl bis zur Markierung der Obergrenze auf.
- 6) Ziehen Sie nach dem Auffüllen den Öldeckel fest, so dass sich dieser nicht löst und ein Auslaufen von Öl verursacht.
Falls der Öldeckel nicht sicher festgezogen ist, kann Öl auslaufen.

WICHTIGE PUNKTE ZUM ÖL

- Entsorgen Sie Altöl niemals über den Hausmüll, in die Erde oder in Abwassersysteme. Die Altöleentsorgung ist gesetzlich geregelt. Halten Sie bei der Entsorgung stets die entsprechenden Gesetze und Bestimmungen ein. Wenden Sie sich bei Unklarheiten an ein autorisiertes Servicezentrum.
- Öl zersetzt sich, auch wenn es nicht verwendet wird. Führen Sie regelmäßig eine Überprüfung und einen Ölwechsel durch (Ölwechsel alle 6 Monate).



REINIGEN DES LUFTFILTERS



WARNUNG: Schalten Sie den Motor aus, halten Sie den Motor von offenen Flammen fern und rauchen Sie nicht.

Zeitraum für Reinigung und Inspektion: Täglich (alle 10 Betriebsstunden)

- Drehen Sie den Choke-Hebel vollständig zu, und halten Sie den Vergaser fern von Staub und Schmutz.

Entfernen der Luftfilterabdeckung

- Lösen Sie den Haken an der Luftfilterabdeckung, indem Sie den Halterahmen an der Platte nach unten drücken.
- Lösen Sie die Halteschraube.
- Ziehen Sie die Luftreinigerabdeckung ab.

Filtereinsatz

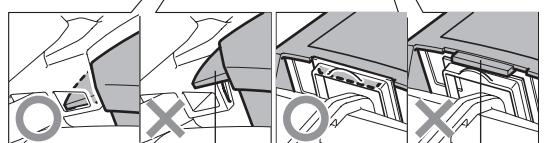
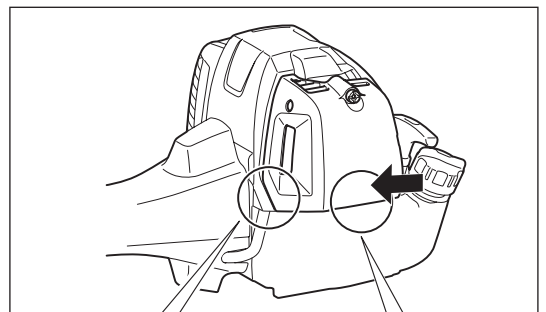
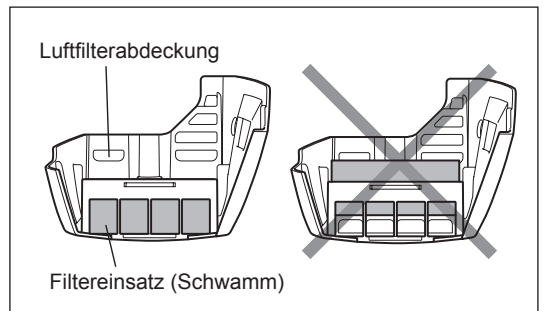
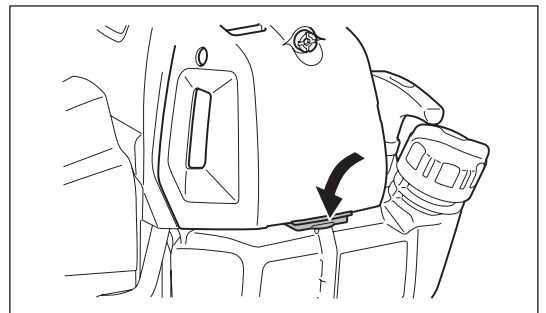
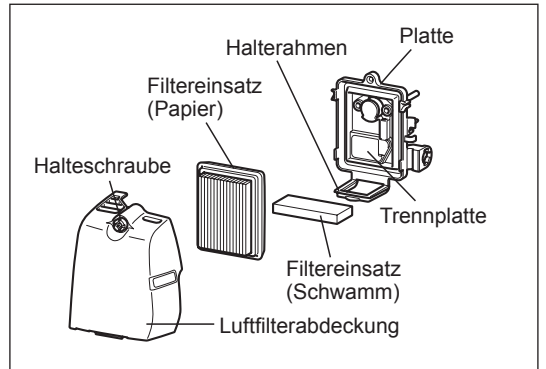
- Entnehmen Sie die Filtereinsätze und klopfen Sie den Schmutz aus den Einsätzen.
- Bei starker Verschmutzung:
 - 1) Entfernen Sie den Filtereinsatz (Schwamm), tauchen Sie ihn in warmes Wasser oder in Wasser mit verdünntem neutralen Reinigungsmittel, und lassen Sie den Filtereinsatz vollständig trocknen. Drücken und schrubben Sie den Filtereinsatz beim Reinigen nicht.
 - 2) Reinigen Sie den Filtereinsatz (Papier), indem Sie den Filtereinsatz vorsichtig ausklopfen. Wenn Ihnen eine Druckluftpistole zur Verfügung steht, können Sie den Filtereinsatz reinigen, indem Sie Druckluft auf die Innenseite des Filtereinsatzes (Papier) blasen. Waschen Sie den Filtereinsatz (Papier) nicht aus.
- Lassen Sie den Filtereinsatz (Schwamm) vor dem Einsetzen vollständig trocknen. Bei unzureichender Trocknung des Filtereinsatzes (Schwamm) können Schwierigkeiten beim Starten des Motors auftreten.
- Wischen Sie anhaftendes Öl um die Luftfilterabdeckung und Trennplatte mit einem Putzlappen ab.

Anbringen der Luftfilterabdeckung

- Passen Sie den Filtereinsatz (Schwamm) und den Filtereinsatz (Papier) ein. Setzen Sie den Filtereinsatz (Schwamm) bis zum Anschlag in die Luftfilterabdeckung ein.
- Setzen Sie den seitlichen Haken wie dargestellt in die Luftfilterabdeckung ein und drücken Sie auf den unteren Teil der Luftfilterabdeckung, bis sie mit einem Klick einrastet, sodass der Haken fest im Halterahmen sitzt. Befestigen Sie anschließend die Luftfilterabdeckung mit der Halteschraube.

HINWEIS:

- Reinigen Sie die Filtereinsätze mehrere Male am Tag, falls übermäßig Staub anhaftet. Verschmutzte Filtereinsätze führen zum Absinken der Motorleistung und erschweren das Starten des Motors.
- Reinigen Sie die Filtereinsätze von Öl. Falls der Betrieb mit ölverschmutzten Filtereinsätzen fortgesetzt wird, kann Öl aus dem Luftfilter austreten und zu einer Ölverschmutzung führen.
- Legen Sie die Einsätze nicht auf der Erde oder an verschmutzten Stellen ab. Andernfalls können anhaftender Staub oder Schmutz Schäden am Motor verursachen.
- Verwenden Sie zum Reinigen der Einsätze niemals Kraftstoff. Die Filtereinsätze können durch Kraftstoff beschädigt werden.



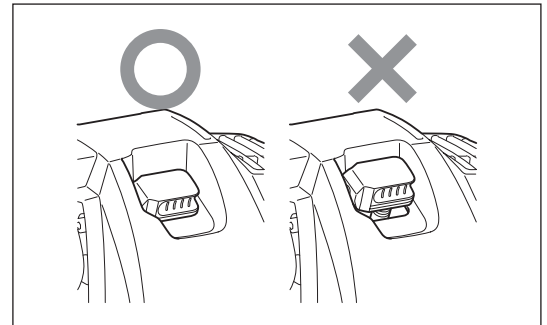
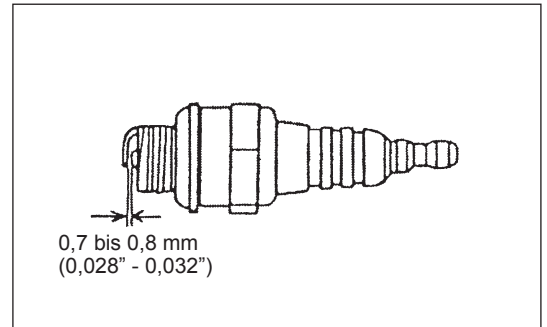
Seitlicher Haken

Haken

ÜBERPRÜFEN DER ZÜNDKERZE

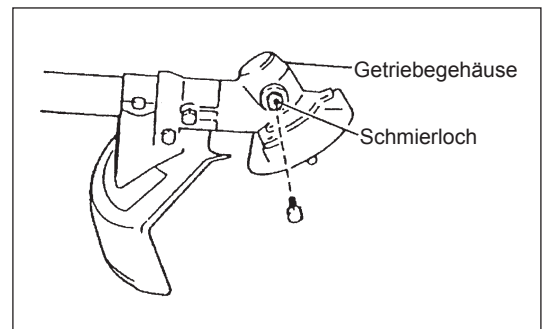
- Schrauben Sie die Zündkerze ausschließlich mit dem mitgelieferten Universalschlüssel heraus- und ein.
- Der Abstand zwischen den Elektroden der Zündkerze muss zwischen 0,7 und 0,8 mm liegen. Wenn der Abstand zu klein oder zu groß ist, korrigieren Sie den Abstand. Falls die Zündkerze verschmutzt oder verstopft ist, reinigen Sie diese gründlich oder ersetzen Sie sie. Stecken Sie nach dem Prüfen den Kerzenstecker wieder ordnungsgemäß auf.

ACHTUNG: Berühren Sie den Zündkerzenstecker niemals, wenn der Motor läuft (Gefahr eines Hochspannungsschlags).



EINBRINGEN VON SCHMIERFETT IN DAS GETRIEBEGEHÄUSE

- Bringen Sie alle 30 Betriebsstunden Schmierfett (Shell Alvania 2 oder gleichwertig) durch das Schmierloch in das Getriebegehäuse ein. (Original-MAKITA-Schmierfett erhalten Sie bei Ihrem MAKITA-Händler.)

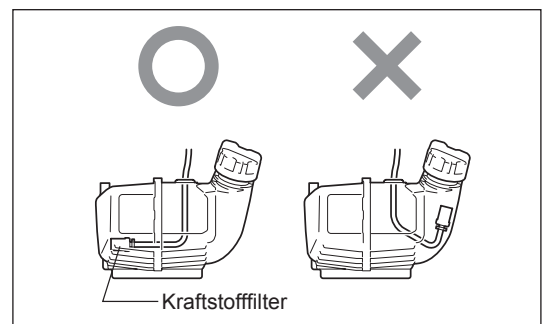
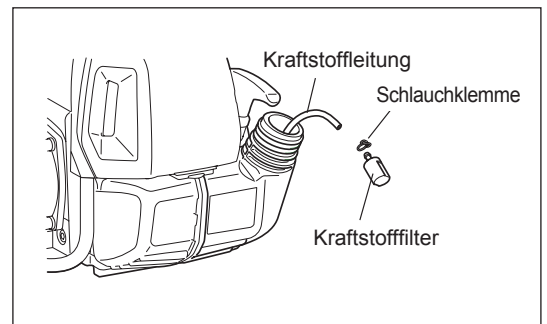


REINIGEN DES KRAFTSTOFFFILTERS WARNUNG: OFFENE FLAMMEN STRENGSTENS VERBOTEN!

Zeitraum für Reinigung und Inspektion: Monatlich (alle 50 Betriebsstunden)

Ansaugkopf im Kraftstofftank

- Der vom Vergaser benötigte Kraftstoff wird über den Kraftstofffilter (1) des Ansaugkopfes gefiltert.
- Führen Sie regelmäßig eine Sichtprüfung des Kraftstofffilters durch. Öffnen Sie dazu den Tankdeckel, und ziehen Sie mit Hilfe eines Drahtakens den Ansaugkopf durch die Tanköffnung. Wenn der Filter verhärtet oder stark verstopft ist, tauschen Sie den Filter aus.
- Tauschen Sie den Kraftstofffilter mindestens alle 3 Monate aus, damit die Zufuhr von ausreichend Kraftstoff zum Vergaser sichergestellt ist. Eine zu geringe Zufuhr von Kraftstoff führt zu Schwierigkeiten beim Starten des Motors und zu einem Absinken der Drehzahl bei Vollgas.
- Befestigen Sie den Kraftstofffilter nach dem Überprüfen, Reinigen oder Austauschen mit Hilfe der Schlauchklemme an der Kraftstoffleitung. Drücken Sie den Kraftstofffilter ganz bis auf den Boden des Kraftstofftanks.



AUSTAUSCHEN DER KRAFTSTOFFLEITUNG

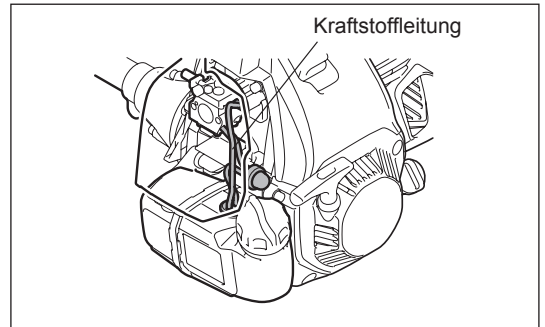
ACHTUNG: OFFENE FLAMMEN STRENGSTENS VERBOTEN!

Zeitraum für Reinigung und Inspektion: Täglich (alle 10 Betriebsstunden)

Austausch: Jährlich (alle 200 Betriebsstunden)

Tauschen Sie die Kraftstoffleitung, unabhängig von der Betriebsdauer, jährlich aus. Kraftstofflecks können einen Brand verursachen.

Falls Sie bei der Inspektion ein Leck entdecken, tauschen Sie die Kraftstoffleitung sofort aus.



INSPEKTION DER BOLZEN, MUTTERN UND SCHRAUBEN

- Ziehen Sie lose Bolzen, Muttern usw. wieder fest.
- Überprüfen Sie, ob Kraftstoffdeckel und Öldeckel fest sitzen. Prüfen Sie auf Kraftstoff- und Öllecks.
- Tauschen Sie beschädigte Teile durch neue aus, damit ein sicherer Betrieb gegeben ist.

REINIGEN DER BAUTEILE

- Halten Sie den Motor stets sauber, indem Sie den Motor mit einem Putzlappen abwischen.
- Halten Sie die Zylinderlamellen frei von Sand und Staub. An den Lamellen anhaftender Staub und Schmutz kann zu einem Festfressen des Kolbens führen.

AUSTAUSCHEN VON DICHTUNGEN

Setzen Sie nach einem Zerlegen des Motors neue Dichtungen ein.

Alle Wartungsarbeiten oder Einstellungen, die in diesem Handbuch nicht beschrieben wurden, müssen von autorisierten Servicezentren durchgeführt werden.

AUFBEWAHRUNG

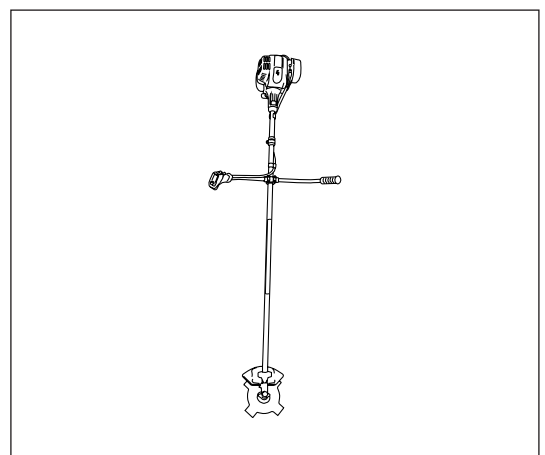


WARNUNG: Kurz nach dem Stoppen des Motors ist der Motor sehr heiß. Warten Sie nach dem Stoppen des Motors eine ausreichende Zeit, bis sich der Motor abgekühlt hat, bevor Sie den Kraftstoff ablassen. Andernfalls kann es zu Verbrennungen der Haut und/oder einem Brand kommen.



GEFAHR: Wenn das Werkzeug für längere Zeit nicht betrieben wird, lassen Sie den gesamten Kraftstoff aus Tank und Vergaser ab, und lagern Sie das Werkzeug an einem trockenen und sauberen Ort.

- Gehen Sie zum Ablassen des Kraftstoffs aus dem Tank und dem Vergaser wie folgt vor:
 - 1) Nehmen Sie den Kraftstoff-Tankdeckel ab und lassen Sie den Kraftstoff vollständig ab.
Entfernen Sie ggf. im Kraftstofftank zurückbleibende Fremdkörper.
 - 2) Ziehen Sie den Kraftstofffilter mit einem Draht aus dem Nachfüllstutzen.
 - 3) Betätigen Sie die Anlasseinspritzpumpe, bis der Kraftstoff von hier abgeleitet wurde, und lassen Sie den in den Tank gelangten Kraftstoff aus dem Tank ab.
 - 4) Setzen Sie den Filter wieder in den Kraftstofftank ein und ziehen Sie den Tankdeckel sicher fest.
 - 5) Betreiben Sie das Werkzeug weiter, bis es stoppt.
- Schrauben Sie die Zündkerze heraus und geben Sie einige wenige Tropfen Öl in die Zündkerzenöffnung.
- Ziehen Sie anschließend den Startergriff leicht, sodass das Öl die Innenseite des Motors bedeckt, und ziehen Sie dann die Zündkerze fest.
- Bringen Sie die Abdeckung am Metallblatt an.
- Lagern Sie das Gerät grundsätzlich in waagerechter Position oder, falls dies nicht möglich ist, platzieren Sie das Gerät so, dass sich das Schneidwerkzeug unterhalb des Motors befindet. Achten Sie bei der Lagerung ganz besonders darauf, dass ein Herunterfallen des Gerätes ausgeschlossen ist. Andernfalls kann es zu Verletzungen von Personen kommen.
- Bewahren Sie den abgelassenen Kraftstoff in einen zugelassenen Behälter an einem gut belüfteten und schattigen Ort auf.



Maßnahmen nach einer längeren Lagerung

- Nehmen Sie nach einer längeren Lagerung vor dem Start des Motors unbedingt einen Ölwechsel vor (siehe S. 74). Öl zersetzt sich, auch wenn das Werkzeug nicht verwendet wird.

Position	Betriebsdauer		Vor Betrieb	Nach dem Betanken	Täglich (10 h)	30 h	50 h	200 h	Vor dem Lagern	Siehe Seite
Motoröl	Inspizieren / Reinigen		○							65
	Wechseln						○*1			74
Festziehen von Teilen (Schraube, Mutter)	Inspizieren		○							76
Kraftstofftank	Reinigen / Inspizieren		○							—
	Kraftstoff ablassen								○*3	77
Gashebel	Funktion überprüfen			○						—
Stoppeschalter	Funktion überprüfen			○						74
Schneidwerkzeug	Inspizieren		○		○					62
Leerlaufdrehzahl	Inspizieren / Einstellen				○					70
Luftfilter	Reinigen				○					75
Zündkerze	Inspizieren				○					76
Kühlluftweg und Zylinderlamellen	Reinigen / Inspizieren				○					77
Kraftstoffleitung	Inspizieren				○					77
	Wechseln							◎*2		—
Getriebe-Schmierung	Nachfüllen					○				76
Kraftstofffilter	Reinigen / Ersetzen						○			76
Ventilspiel (Einlass- und Auslassventil)	Inspizieren / Einstellen							◎*2		—
Vergaser	Kraftstoff ablassen								○*3	77

*1 Nehmen Sie den ersten Wechsel nach 20 Betriebsstunden vor.

*2 Wenden Sie sich für eine Inspektion nach 200 Betriebsstunden an ein autorisiertes Servicezentrum oder eine autorisierte Werkstatt.

*3 Setzen Sie nach dem Leeren des Kraftstofftanks den Betrieb des Motors fort, damit der Vergaser geleert wird.

FEHLERSUCHE

Überprüfen Sie ein Problem selbst, bevor Sie eine Reparatur in Auftrag geben. Falls eine Anomalität auftritt, kontrollieren Sie das Werkzeug anhand der Beschreibung in diesem Handbuch. Gebrauchen Sie das Werkzeug nicht zweckentfremdet, und demontieren Sie Teile ausschließlich wie erläutert. Wenden Sie sich zwecks Reparaturen an ein autorisiertes Servicezentrum oder einen Vertreter vor Ort.

Anomalität	Mögliche Ursache (Fehlfunktion)	Abhilfe
Motor startet nicht	EIN/AUS-Schalter ist auf STOPP (STOP) eingestellt.	Stellen Sie den EIN/AUS-Schalter auf BETRIEB.
	Anlasseinspritzpumpe nicht betätigt	Betätigen Sie die Pumpe 7 bis 10 Mal.
	Niedrige Ziehgeschwindigkeit des Starterseils	Ziehen Sie kräftig.
	Kraftstoffmangel	Füllen Sie Kraftstoff auf.
	Verstopfter Kraftstofffilter	Reinigen
	Gebrochene Kraftstoffleitung	Begradigen Sie die Kraftstoffleitung.
	Zersetzter Kraftstoff	Überalterter Kraftstoff erschwert das Starten. Ersetzen Sie den Kraftstoff durch neuen. (Empfohlenes Austauschintervall: 1 Monat)
	Übermäßige Kraftstoffansaugung	Stellen Sie den Gashebel von mittlerer Drehzahl auf hohe Drehzahl ein und ziehen Sie den Startergriff, bis der Motor startet. Nach dem Start des Motors beginnt sich das Metallblatt zu drehen. Achten Sie genau auf das Metallblatt. Falls der Motor nicht startet, schrauben Sie die Zündkerze heraus, trocknen Sie die Elektrode und schrauben Sie die Zündkerze wieder ein. Starten Sie dann den Motor wie erläutert.
	Zündkerzenstecker gelöst	Ordnungsgemäß befestigen
	Verschmutzte Zündkerze	Reinigen
	Anomaler Abstand der Zündkerzenelektroden	Stellen Sie den Abstand ein.
	Andere Anomalität der Zündkerze	Wechseln
	Anomaler Vergaser	Fordern Sie eine Inspektion und Wartung an.
Starterseil kann nicht gezogen werden	Fordern Sie eine Inspektion und Wartung an.	
Anomales Antriebssystem	Fordern Sie eine Inspektion und Wartung an.	
Motor stoppt gleich Motordrehzahl erhöht sich nicht	Unzureichendes Aufwärmen	Führen Sie einen Aufwärmbetrieb durch.
	Choke-Hebel ist auf „GESCHLOSSEN“ eingestellt, obwohl der Motor vorgewärmt wurde.	Einstellen auf „OFFEN“
	Verstopfter Kraftstofffilter	Reinigen
	Verschmutzter oder verstopfter Luftfilter	Reinigen
	Anomaler Vergaser	Fordern Sie eine Inspektion und Wartung an.
Anomales Antriebssystem	Fordern Sie eine Inspektion und Wartung an.	
Metallblatt dreht sich nicht ↓ Motor stoppt sofort	Befestigungsmutter des Metallblatts gelöst	Ordnungsgemäß festziehen
	Im Metallblatt oder in der Schutzabdeckung haben sich Zweige o. ä. verfangen.	Fremdkörper entfernen
	Anomales Antriebssystem	Fordern Sie eine Inspektion und Wartung an.
Hauptblock vibriert anomal ↓ Motor stoppt sofort	Gebrochenes, verbogenes oder abgenutztes Metallblatt	Metallblatt austauschen
	Befestigungsmutter des Metallblatts gelöst	Ordnungsgemäß festziehen
	Verschobenes Konvexelement des Metallblatts und der Stütze des Metallblatts.	Ordnungsgemäß befestigen
	Anomales Antriebssystem	Fordern Sie eine Inspektion und Wartung an.
Metallblatt stoppt nicht sofort ↓ Motor stoppt sofort	Hohe Leerlaufdrehzahl	Einstellen
	Gelöster Gas-Bowdenzug	Ordnungsgemäß befestigen
	Anomales Antriebssystem	Fordern Sie eine Inspektion und Wartung an.
Motor stoppt nicht ↓ Betreiben Sie den Motor im Leerlauf und stellen Sie den Choke-Hebel auf GESCHLOSSEN ein	Abgetrennter Steckverbinder	Ordnungsgemäß befestigen
	Anomales Elektriksystem	Fordern Sie eine Inspektion und Wartung an.

Wenn der Motor nach dem Aufwärmen nicht startet:

Falls bei den überprüften Elementen eine Anomalität auftritt, bringen Sie den Gashebel auf 1/3 und starten Sie den Motor.






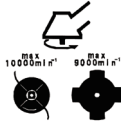














Grazie per aver acquistato questo utensile MAKITA per l'uso all'aperto. Siamo lieti di consigliare questo prodotto MAKITA, risultato di un lungo programma di sviluppo e di molti anni di esperienza e conoscenza. Vi invitiamo a leggere le varie sezioni del presente opuscolo per comprendere in dettaglio le eccellenti prestazioni dell'utensile e utilizzare il prodotto MAKITA con risultati ottimali.



Sommario	Pagina
Simboli.....	80
Istruzioni di sicurezza	81
Dati tecnici	85
Designazione delle parti	86
Montaggio dell'impugnatura	87
Montaggio della protezione	88
Montaggio della lama in metallo o della testina da taglio in nylon	90
Prima dell'avviamento	91
Gestione corretta dell'utensile	93
Informazioni utili sul funzionamento e sull'arresto	94
Affilatura dell'utensile da taglio	96
Istruzioni per la manutenzione.....	100
Stoccaggio.....	103

SIMBOLI

Nel presente manuale di istruzioni vengono utilizzati i seguenti simboli.

	Leggere il manuale di istruzioni e attenersi alle avvertenze e alle precauzioni di sicurezza!		Allontanare persone e animali dall'area di lavoro!
	Prestare particolare cura e attenzione!		Indossare il casco di protezione e i dispositivi di protezione per occhi e orecchie!
	Vietato!		Velocità massima consentita dell'utensile
	Mantenere la distanza di sicurezza!		Carburante (benzina)
	Pericolo di oggetti volanti!		Avviamento manuale del motore
	Contraccolpo!		Arresto di emergenza
	Vietato fumare!		Primo soccorso
	Vietato utilizzare fiamme libere!		ACCENSIONE/AVVIAMENTO
	Indossare guanti di protezione!		SPEGNIMENTO/ARRESTO
	Indossare calzature pesanti con suola antiscivolo. Si consigliano scarpe di sicurezza con punta rinforzata!		POSIZIONE BLOCCO ACCELERATORE

ISTRUZIONI DI SICUREZZA

Istruzioni generali

- Leggere il presente manuale di istruzioni per acquisire familiarità con l'utensile. Eventuali lacune possono favorire un uso improprio dell'utensile, mettendo in pericolo l'operatore e altre persone.
- Si consiglia di concedere in prestito l'utensile solo a persone con provata esperienza. Consegnare sempre anche il manuale di istruzioni.
- Gli utilizzatori alle prime armi sono tenuti a richiedere le istruzioni di base al rivenditore per familiarizzarsi con l'uso di un decespugliatore.
- L'uso del prodotto non deve essere consentito ai bambini o comunque a persone di età inferiore ai 18 anni. Le persone al di sopra dei 16 anni possono tuttavia utilizzare il dispositivo per fare pratica, sempre sotto la supervisione di un istruttore qualificato.
- Utilizzare con la massima cura e attenzione.
- Utilizzare solo se si è in buone condizioni fisiche. Eseguire il lavoro con calma e attenzione. L'operatore si assume la responsabilità anche delle altre persone.
- Non utilizzare il decespugliatore dopo l'assunzione di alcol o droghe oppure se ci si sente stanchi o indisposti.
- L'uso dell'utensile può essere sottoposto a restrizioni dalla regolamentazione nazionale.

Uso previsto dell'utensile

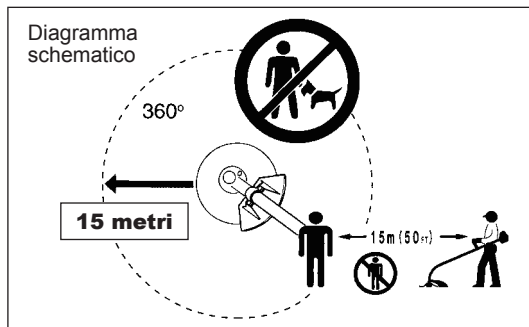
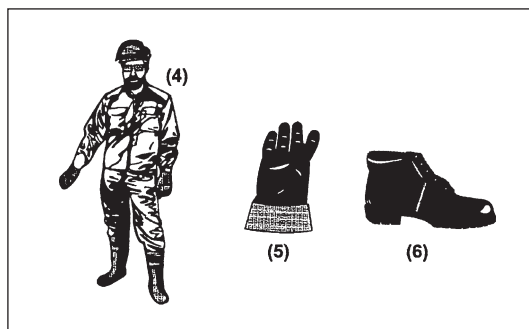
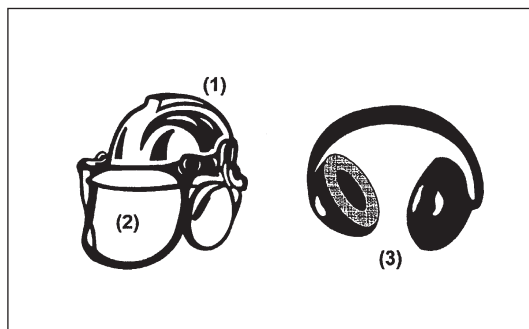
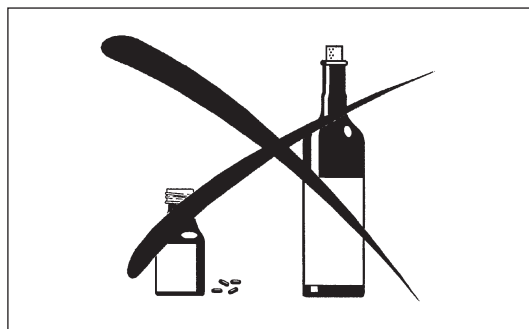
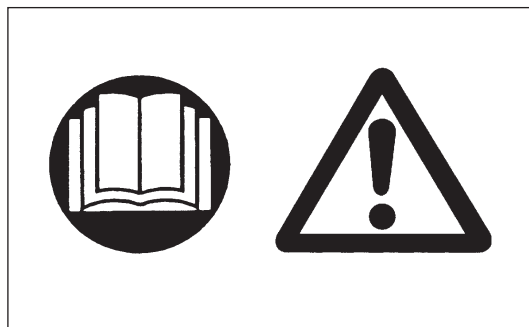
- L'utensile è destinato esclusivamente al taglio di erba, erbacce, cespugli e sottobosco. Non deve essere usato per qualunque altro scopo, come la bordatura o la potatura di siepi; in caso contrario, possono verificarsi lesioni.

Dispositivi di protezione personale

- L'abbigliamento indossato deve essere funzionale e adeguato, ovvero aderente ma senza causare impedimenti. Non indossare gioielli o abiti che potrebbero rimanere impigliati in cespugli o arbusti.
- Per evitare lesioni a testa, occhi, mani o piedi e per proteggere l'udito è indispensabile indossare i seguenti dispositivi e indumenti di protezione durante l'uso.
- Indossare sempre un casco se vi è il rischio di caduta di oggetti. Il casco di protezione (1) deve essere controllato periodicamente per verificare la presenza di eventuali danni e deve essere sostituito almeno ogni 5 anni. Utilizzare solo caschi di protezione omologati.
- La visiera (2) del casco (o gli occhiali di protezione) protegge il volto da detriti e sassi volanti. Per evitare danni alla vista è fondamentale indossare sempre gli occhiali di protezione o una visiera durante l'uso.
- Indossare dispositivi di protezione acustica adeguati per evitare danni all'udito (cuffie isolanti (3), tappi per le orecchie e così via).
- La tuta da lavoro integrale (4) protegge da pietre e detriti volanti. Si consiglia vivamente di indossare una tuta da lavoro integrale.
- I guanti (5) sono parte dell'equipaggiamento prescritto e devono sempre essere indossati durante l'uso.
- Durante l'uso del prodotto, indossare sempre calzature pesanti (6) con suola antiscivolo per prevenire gli infortuni e garantire una corretta stabilità.

Avvio del decespugliatore

- Assicurarsi che non vi siano bambini o altre persone in un raggio di 15 m dall'area di lavoro; prestare inoltre attenzione alla presenza di animali.
- Prima dell'uso verificare sempre che l'utensile non presenti fattori di rischio per il lavoro:
Verificare la sicurezza dell'utensile da taglio, il facile azionamento della leva dell'acceleratore e il corretto funzionamento della sicura.
- L'utensile da taglio non deve ruotare quando il motore è al minimo. In caso di dubbi, rivolgersi al rivenditore per la regolazione. Controllare che le impugnature siano pulite e asciutte e verificare la funzionalità dell'interruttore di avviamento e arresto.

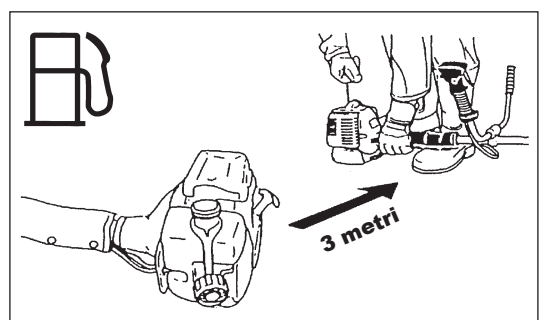
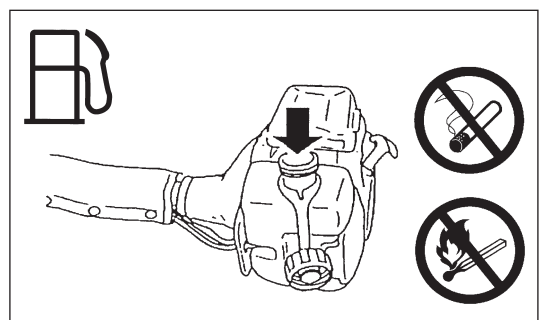
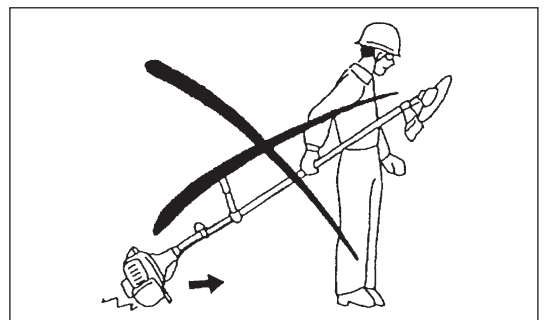
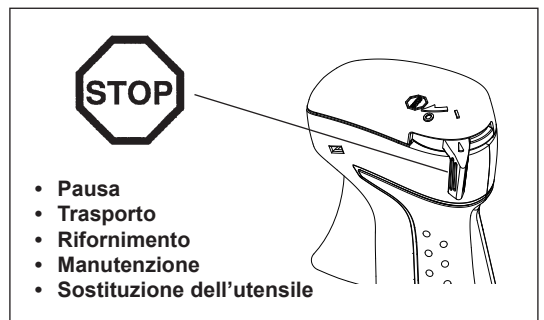
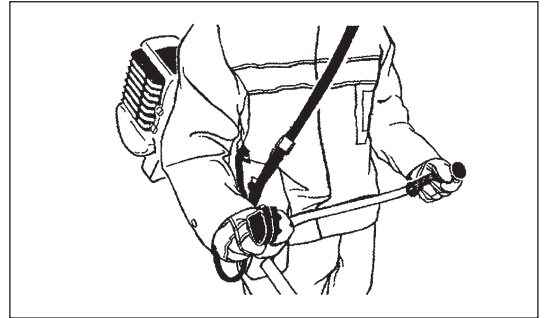
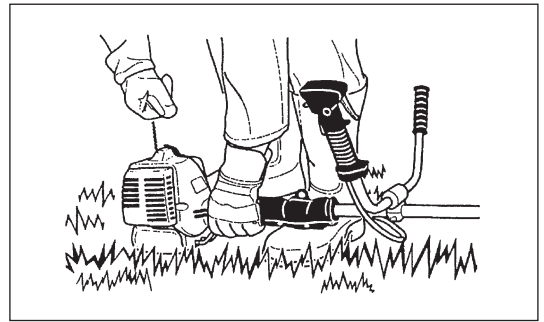


Avviare il decespugliatore solo in base alla procedura riportata nelle istruzioni.

- Non avviare il motore con altri sistemi.
- Utilizzare il decespugliatore e gli utensili solo per le operazioni specificate.
- Avviare il motore solo quando l'utensile è stato completamente montato. Il funzionamento del dispositivo è consentito solo dopo il montaggio di tutti gli accessori appropriati.
- Prima dell'avviamento assicurarsi che l'utensile da taglio non sia a contatto con oggetti rigidi come rami, pietre e così via, poiché all'avvio l'utensile inizierà a ruotare.
- Se il motore presenta un problema, spegnerlo immediatamente.
- Nel caso in cui l'utensile da taglio colpisca pietre o altri oggetti rigidi, è necessario spegnere immediatamente il motore e ispezionare l'utensile.
- Controllare l'utensile da taglio a intervalli regolari per verificare la presenza di danni (rilevare eventuali crepe picchiando delicatamente).
- Se l'utensile cade o subisce un impatto violento, verificarne le condizioni prima di proseguire il lavoro. Verificare che l'impianto di alimentazione del carburante sia privo di perdite e che i dispositivi di sicurezza funzionino correttamente. In caso di danni o dubbi, richiedere l'ispezione e la riparazione presso il nostro centro di assistenza autorizzato.
- Prima di utilizzare il decespugliatore, indossare sempre la cintura a spalla agganciata all'utensile, regolandola in maniera adeguata. È fondamentale regolare la cintura a spalla in base alla corporatura dell'operatore per prevenire l'affaticamento durante l'uso. Non tenere il decespugliatore con una mano sola durante l'uso.
- Reggere sempre il decespugliatore con entrambe le mani durante l'uso. Assicurarsi sempre di avere una buona presa a terra.
- Utilizzare il prodotto in modo tale da evitare l'inalazione dei gas di scarico. Non azionare il motore in ambienti chiusi (pericolo di avvelenamento da gas). Il monossido di carbonio è un gas inodore.
- Spegnerlo durante le pause o quando si lascia incustodito l'utensile, riponendolo in un luogo sicuro per impedire lesioni ad altre persone o danni all'utensile.
- Non appoggiare il decespugliatore surriscaldato nell'erba secca o su materiali infiammabili.
- Installare sempre la guardia dell'utensile da taglio approvata sull'utensile stesso prima di avviare il motore. In caso contrario, il contatto con l'utensile da taglio può provocare gravi lesioni personali.
- Utilizzare tutti i dispositivi di protezione in dotazione con il prodotto durante l'uso.
- Non avviare il motore se la marmitta di scarico è difettosa.
- Spegnerlo durante il trasporto.
- Durante il trasporto dell'utensile, applicare sempre il coperchio alla lame in metallo.
- Verificare che l'utensile rimanga in una posizione sicura durante il trasporto in auto, onde evitare perdite di carburante.
- Durante il trasporto, assicurarsi che il serbatoio del carburante sia completamente vuoto.
- Durante lo scarico dell'utensile da un autocarro, non far cadere a terra il motore onde evitare gravi danni al serbatoio del carburante.
- Tranne che in caso di emergenza, non far cadere o gettare l'utensile a terra onde evitare di danneggiare gravemente l'utensile stesso.
- Per spostare l'utensile è necessario sollevarlo sempre completamente da terra. Il trascinarsi del serbatoio è molto pericoloso e può causare danni o perdite di carburante, con conseguente pericolo di incendio.

Rifornimento

- Durante il rifornimento spegnere il motore, tenersi lontani da fiamme libere e non fumare.
- Evitare il contatto epidermico con prodotti a base di oli minerali. Non inalare i vapori del carburante. Durante il rifornimento indossare sempre i guanti di protezione. Sostituire e pulire regolarmente gli indumenti di protezione.
- Prestare attenzione a non lasciar fuoriuscire il carburante o l'olio onde evitare la contaminazione del terreno (protezione dell'ambiente). Pulire il decespugliatore subito dopo una fuoriuscita di carburante.
- Evitare il contatto del carburante con i capi di vestiario. Cambiarsi immediatamente in caso di contatto con il carburante (per evitare che gli abiti prendano fuoco).
- Controllare regolarmente il tappo del serbatoio del carburante per assicurarsi che sia stretto correttamente e che non presenti perdite.
- Stringere con cura il tappo del serbatoio del carburante. Cambiare luogo per avviare il motore (almeno 3 metri dal punto di rifornimento).
- Non effettuare il rifornimento in ambienti chiusi. I vapori del carburante si accumulano a livello del terreno (pericolo di esplosioni).
- Trasportare e conservare il carburante solo in contenitori omologati. Assicurarsi di riporre il carburante in un punto non accessibile ai bambini.



Modalità di funzionamento

- Utilizzare il prodotto solo in buone condizioni di luce e visibilità. Durante la stagione invernale prestare attenzione alle aree scivolose o umide, al ghiaccio e alla neve (pericolo di scivolamento). Assicurarsi sempre di avere una buona presa a terra.
- Non eseguire tagli a un'altezza superiore a quella della vita.
- Non utilizzare il prodotto da una scala.
- Non arrampicarsi sugli alberi per eseguire operazioni di taglio.
- Non lavorare su superfici instabili.
- Rimuovere sabbia, pietre, chiodi, ecc. dall'area di lavoro. I corpi estranei potrebbero danneggiare l'utensile da taglio e causare pericolosi contraccolpi.
- Prima di iniziare il taglio, è necessario che l'utensile abbia raggiunto la piena velocità operativa.
- Quando si utilizzano lame in metallo, muovere delicatamente l'utensile in semicerchi da destra verso sinistra, come se fosse una falce. Se erba o sterpaglie restano impigliate tra l'utensile da taglio e la guardia, arrestare sempre il motore prima di effettuare la pulizia. In caso contrario, una rotazione involontaria della lama può causare gravi lesioni personali.
- Riposarsi spesso per evitare la perdita di controllo causata dall'affaticamento. Si consiglia di fare una pausa di 10-20 minuti ogni ora.

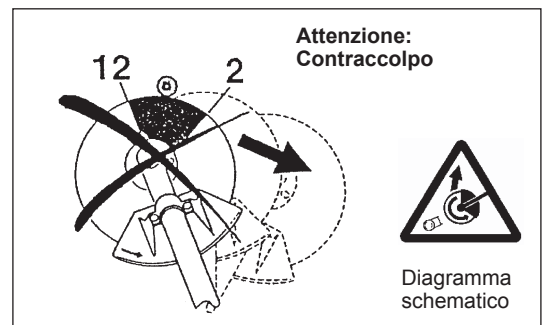


Utensili da taglio

- Servirsi dell'utensile da taglio idoneo per il lavoro da compiere. Le testine da taglio in nylon (testine del decespugliatore) sono indicate per tagliare l'erba del prato. Le lame in metallo sono indicate per il taglio di erbacce, erba alta, cespugli, arbusti, sottobosco, fratte, e simili. Non utilizzare altri tipi di lama, comprese catene metalliche componibili con perno e lame con flagelli. In caso contrario potrebbero verificarsi gravi infortuni.
- Durante l'utilizzo di lame in metallo, evitare "contraccolpi" e prepararsi ad un eventuale contraccolpo accidentale. Vedere la sezione "Contraccolpo" e "Prevenzione dei contraccolpi."

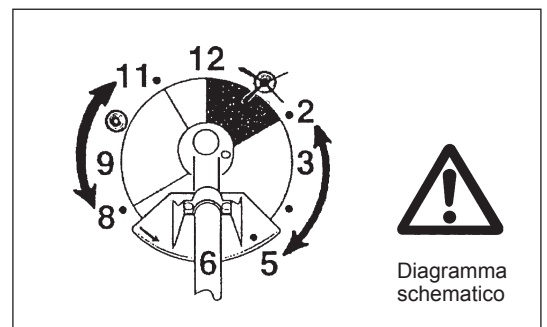
Contraccolpo (colpo di lama)

- Il contraccolpo (colpo di lama) è una reazione improvvisa a una lama in metallo incastrata o bloccata. Al verificarsi di tale reazione, l'utensile viene deviato con forza di lato o contro l'operatore. Ciò potrebbe causare gravi lesioni.
- In particolare, il contraccolpo si verifica durante l'applicazione di un segmento di lama compreso tra le ore 12 - 2 a oggetti solidi, cespugli e alberi con un diametro di 3 cm o superiore.
- Per evitare contraccolpi:
 - Applicare il segmento tra le ore 8 - 11;
 - Non applicare il segmento tra le ore 12 - 2;
 - Non applicare il segmento tra le ore 11 - 12 e tra le ore 2 - 5, a meno che l'operatore sia esperto e ben addestrato e lo faccia a proprio rischio e pericolo;
 - Non usare le lame in metallo vicino a oggetti solidi come recinzioni, muri, tronchi e pietre;
 - Non usare le lame in metallo verticalmente, per operazioni come bordatura e taglio di siepi.



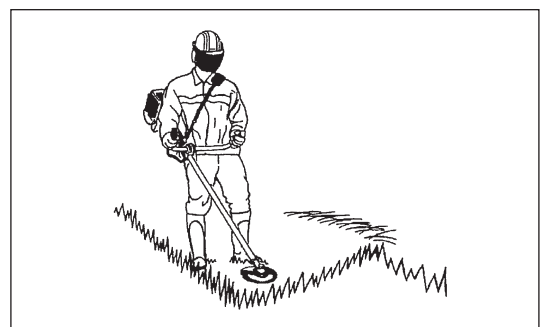
Vibrazione

- Se esposti a vibrazioni eccessive, gli operatori che soffrono di insufficienza venosa possono riportare danni ai vasi sanguigni o al sistema nervoso. Le vibrazioni possono causare i seguenti sintomi alle dita, alle mani o ai polsi: sonnolenza (torpore), formicolio, dolore, fitte acute, alterazione della pelle o del colorito. Consultare un medico non appena si manifestano tali sintomi.
- Per ridurre il rischio di "sindrome delle dita bianche da vibrazione", tenere le mani al caldo durante l'uso dell'utensile e mantenere l'utensile e gli accessori in buone condizioni.



Istruzioni per la manutenzione

- Per l'assistenza, rivolgersi al nostro centro servizi autorizzato utilizzando solo parti di ricambio originali. Una riparazione errata o una manutenzione insufficiente possono accorciare la vita utile dell'utensile, aumentando il rischio di incidenti.
- Prima di iniziare il lavoro, verificare le condizioni del dispositivo, in particolare dell'utensile da taglio, dei dispositivi di protezione e della cintura a spalla. Prestare particolare attenzione alle lame in metallo, che dovranno essere adeguatamente affilate.
- Spegner il motore e staccare il connettore della candela per sostituire, affilare o pulire gli utensili da taglio.



Non raddrizzare né saldare gli utensili da taglio danneggiati.

- Prestare attenzione all'ambiente. Evitare di azionare inutilmente l'acceleratore al fine di ridurre l'inquinamento e le emissioni acustiche. Regolare correttamente il carburatore.
- Pulire regolarmente l'utensile e controllare che tutte le viti e i dadi siano correttamente serrati.
- Non eseguire la manutenzione e non conservare l'utensile in prossimità di fiamme libere.
- Conservare sempre l'utensile in ambienti chiusi a chiave e con il serbatoio del carburante svuotato.
- Durante la pulizia, il funzionamento e lo stoccaggio dell'utensile, applicare sempre il coperchio alla lama in metallo.



Rispettare le istruzioni di prevenzione degli incidenti fornite dalle associazioni di categoria e dalle compagnie di assicurazioni. Non apportare modifiche all'utensile onde evitare di mettere a repentaglio la propria sicurezza.

Le attività di manutenzione o riparazione a carico dell'operatore sono limitate a quelle descritte nel presente manuale di istruzioni. Qualsiasi altra operazione deve essere eseguita da un rappresentante autorizzato dell'assistenza. Utilizzare esclusivamente ricambi e accessori originali rilasciati e forniti da MAKITA.

L'uso di accessori e utensili non approvati può aumentare il pericolo di incidenti.

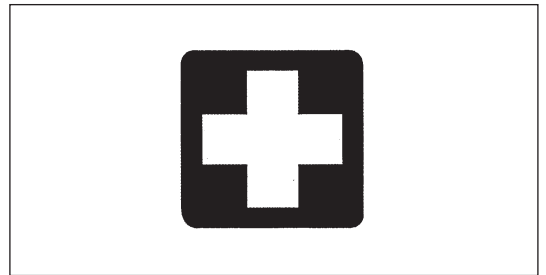
MAKITA declina ogni responsabilità per danni o incidenti causati dall'uso di utensili da taglio, dispositivi di fissaggio di utensili da taglio o accessori non approvati.

Primo soccorso

Assicurarsi che nelle vicinanze dell'area di lavoro sia disponibile una cassetta di primo soccorso, in caso di infortuni. Sostituire immediatamente qualunque oggetto prelevato dalla cassetta di primo soccorso.

Nel momento in cui si richiede assistenza, fornire le seguenti informazioni:

- Luogo dell'incidente
- Che cosa è accaduto
- Numero delle persone ferite
- Tipo di ferite
- Nome e cognome



Solo per i paesi europei

Dichiarazione di conformità CE

Makita Corporation, in qualità di produttore responsabile, dichiara che gli utensili Makita indicati di seguito:

Denominazione dell'utensile: Decespugliatore a benzina
N. modello/ Tipo: EM4351UH, EM4350UH, EM4350LH
Caratteristiche tecniche: vedere la tabella "DATI TECNICI"

appartengono a una produzione in serie e

sono conformi alle seguenti direttive europee:

2000/14/EC, 2006/42/EC

Sono inoltre prodotti in conformità agli standard o ai documenti standardizzati riportati di seguito:

EN ISO 11806-1

La documentazione tecnica è conservata dal rappresentante autorizzato in Europa, vale a dire:

Makita International Europe Ltd.,
Michigan Drive, Tongwell, Milton Keynes, Bucks MK15 8JD, Inghilterra

La procedura di valutazione della conformità richiesta dalla direttiva 2000/14/EC è stata effettuata secondo quanto specificato nell'allegato V.

EM4351UH:

Livello di potenza sonora misurato: 111,9 dB

Livello di potenza sonora garantito: 113 dB

EM4350UH:

Livello di potenza sonora misurato: 112,1 dB

Livello di potenza sonora garantito: 113 dB

EM4350LH:

Livello di potenza sonora misurato: 110,7 dB

Livello di potenza sonora garantito: 112 dB

8. 9. 2011

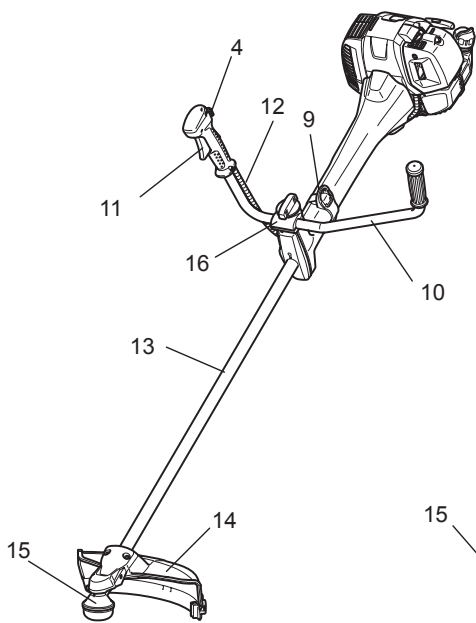
Tomoyasu Kato
Direttore
Makita Corporation
3-11-8, Sumiyoshi-cho,
Anjo, Aichi, JAPAN

DATI TECNICI EM4351UH, EM4350UH, EM4350LH

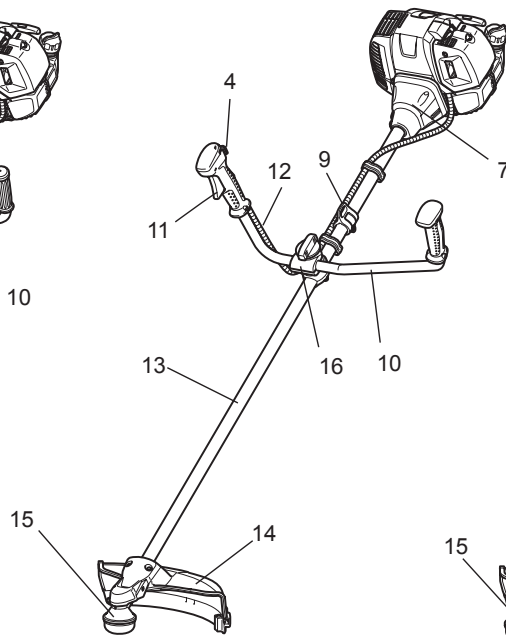
Modello			EM4351UH	EM4350UH	EM4350LH			
Tipo di impugnatura			Impugnatura da bicicletta	Impugnatura da bicicletta	Impugnatura ad anello			
Dimensioni: lunghezza x larghezza x altezza (senza utensile da taglio) mm			1.812 x 618 x 528	1.812 x 635 x 460	1.812 x 339 x 250			
Peso (senza protezione in plastica e utensile da taglio) kg			8,6	8,3	7,9			
Volume (serbatoio del carburante) l			0,6					
Volume (serbatoio dell'olio) l			0,1					
Cilindrata del motore cm³			43,0					
Prestazioni massime del motore kW			1,5 a 7.500 min ⁻¹					
Regime del motore alla velocità massima consigliata del mandrino min⁻¹			10.500					
Velocità massima del mandrino (corrispondente) min⁻¹			7.200					
Velocità al minimo min⁻¹			3.000					
Velocità di innesto della frizione min⁻¹			4.000					
Carburatore			Tipo di diaframma					
Sistema di accensione			Tipo di magneti senza contatto					
Candela tipo			NGK CMR6A					
Distanza tra gli elettrodi mm			0,7 - 0,8					
			LAMA DA TAGLIO	TESTINA DA TAGLIO IN NYLON	LAMA DA TAGLIO	TESTINA DA TAGLIO IN NYLON	LAMA DA TAGLIO	TESTINA DA TAGLIO IN NYLON
Vibrazioni secondo ISO 22867	Impugnatura destra (impugnatura posteriore)	$a_{hv\ eq}$ m/s²	2,2	2,1	3,1	3,5	4,2	2,6
		Variazione K m/s²	0,5	0,6	0,5	0,8	1,1	0,7
	Impugnatura sinistra (Impugnatura anteriore)	$a_{hv\ eq}$ m/s²	1,7	2,0	4,8	4,0	3,8	3,7
		Variazione K m/s²	0,5	0,5	2,9	0,9	1,0	1,4
Livello di pressione sonora medio in base a ISO 22868		$L_{PA\ eq}$ dBA	92,4	96,2	91,2	96,1	92,8	94,9
		Variazione K dBA	1,8	2,0	2,2	1,6	1,6	2,1
Livello di potenza sonora medio in base a ISO 22868		$L_{WA\ eq}$ dBA	101,8	108,9	103,1	109,1	103,4	107,7
		Variazione K dBA	1,8	1,4	1,1	1,1	1,5	1,2
Carburante			Carburante per automobile (benzina)					
Olio motore			Olio classificazione API, classe SF o superiore, oppure SAE 10W-30 (olio motore a quattro tempi per automobili)					
Utensili da taglio (diametro lama da taglio) mm			305 (con tre lame)					
Rapporto di trasmissione			13/19					

DESIGNAZIONE DELLE PARTI

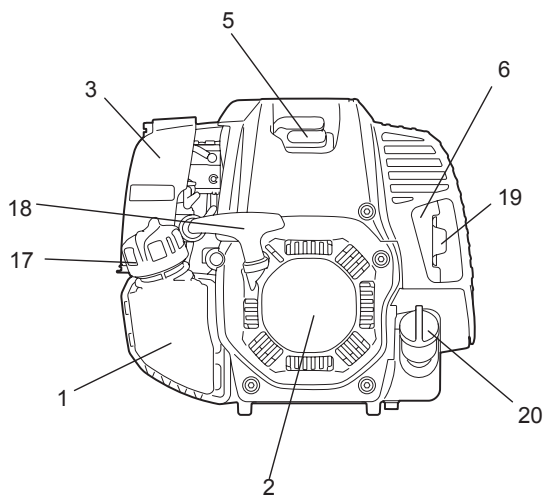
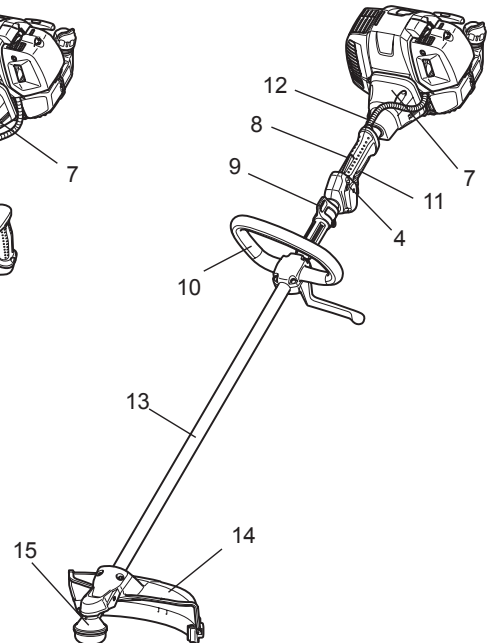
EM4351UH



EM4350UH



EM4350LH



I	DESIGNAZIONE DELLE PARTI
1	Serbatoio del carburante
2	Starter manuale
3	Filtro dell'aria
4	Interruttore I-O e blocco acceleratore (accensione/spegnimento)
5	Candela
6	Marmitta di scarico
7	Scatola della frizione
8	Impugnatura posteriore
9	Punto di sospensione
10	Impugnatura
11	Leva dell'acceleratore
12	Cavo di comando
13	Albero
14	Protezione (guardia dell'utensile da taglio)
15	Scatola degli ingranaggi
16	Supporto impugnatura
17	Tappo del serbatoio del carburante
18	Manopola di avviamento
19	Tubo di scarico
20	Tappo dell'olio

MONTAGGIO DELL'IMPUGNATURA

ATTENZIONE: Prima di effettuare qualsiasi intervento sull'utensile, spegnere il motore e staccare il connettore della candela.

Indossare sempre i guanti di protezione.

ATTENZIONE: Avviare il motore solo dopo averne completato il montaggio.

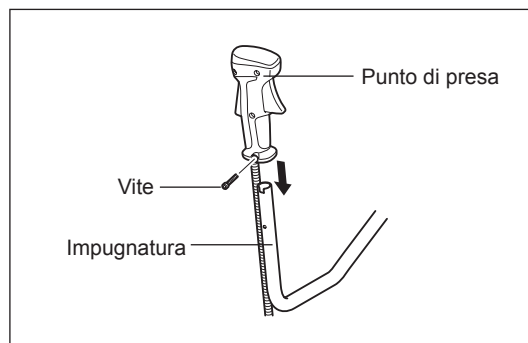


Per i modelli EM4351UH, EM4350UH

Inserire l'albero dell'impugnatura nel punto di presa, come mostrato nella figura.

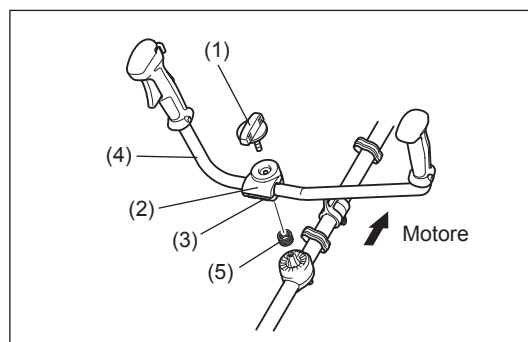
Allineare il foro della vite nel punto di presa con quello nell'albero.

Serrare saldamente la vite.



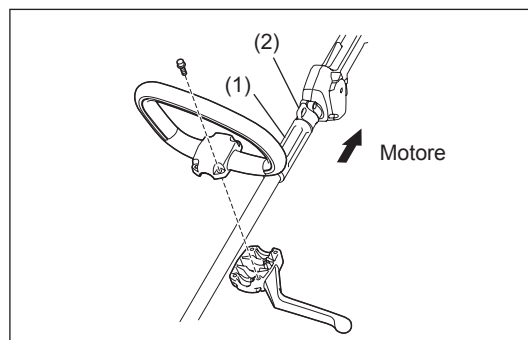
- Allentare la manopola (1).
- Posizionare l'impugnatura (4) tra il relativo morsetto (2) e il supporto dell'impugnatura (3).
- Regolare l'impugnatura (4) a un'angolazione che consenta una posizione di lavoro comoda, quindi serrare correttamente la manopola a mano (1).

ATTENZIONE: Non dimenticare di montare la molla (5).



Per il modello EM4350LH

- Fissare l'impugnatura ad anello sull'albero con quattro viti.
- Per mantenere un'adeguata distanza tra i punti di presa, posizionare il distanziale (1) tra l'impugnatura ad anello e il punto di sospensione (2).



MONTAGGIO DELLA PROTEZIONE

Per rispettare le vigenti normative sulla sicurezza, utilizzare esclusivamente le combinazioni utensile/protezione indicate nella tabella.

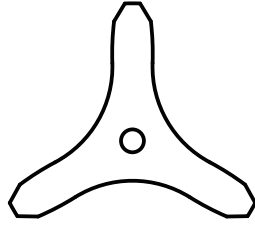
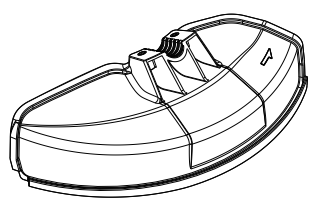
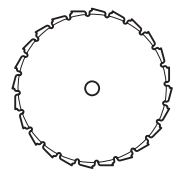
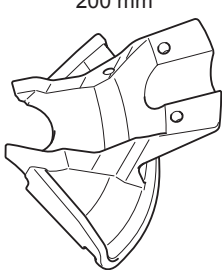
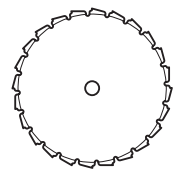
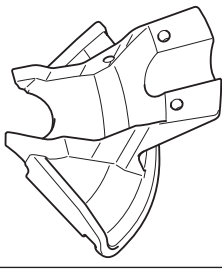
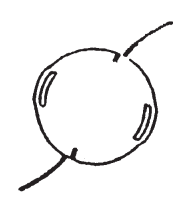
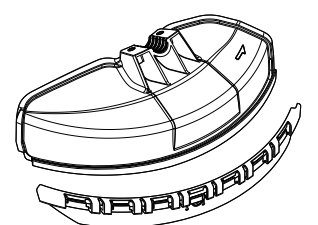


Usare lame in metallo (a sega e da taglio) o testine da taglio in nylon originali MAKITA.

- La lama in metallo deve essere ben affilata, priva di crepe o fenditure. Se durante l'uso la lama in metallo colpisce una pietra, spegnere il motore e controllare subito la lama.
- Affilare o sostituire la lama in metallo ogni tre ore di utilizzo.
- Se durante l'uso la testina da taglio in nylon colpisce una pietra, spegnere il motore e controllare subito la testina da taglio in nylon.

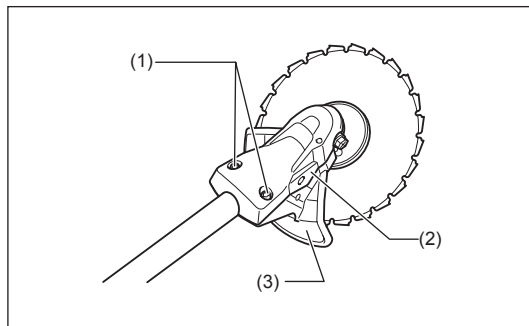
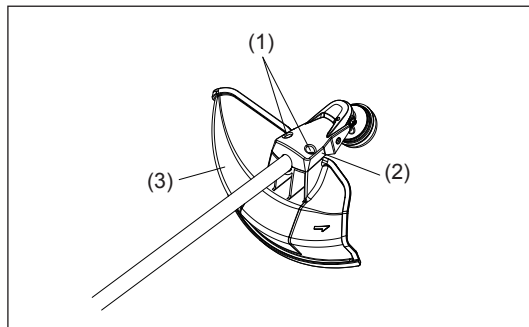
ATTENZIONE: Per la propria sicurezza e per adempiere alle norme sulla prevenzione degli infortuni, è necessario che sia sempre installata la protezione adeguata.
 Il funzionamento dell'utensile senza protezione non è consentito.
 Il diametro esterno della lama da taglio deve essere 300 mm (12") o inferiore. Non utilizzare lame con diametro esterno superiore a 300 mm (12").
 Usare la protezione della lama a sega da 200 mm solo quando si usa la lama a sega da 200 mm.
 Usare la protezione della lama a sega da 225 mm solo quando si usa la lama a sega da 225 mm.
 Non usare altre combinazioni per l'uso delle lame a sega.

NOTA: La combinazione standard di utensili da taglio varia da paese a paese.

<p>Lama da taglio</p> 	<p>Protezione per lame in metallo</p> 
<p>Lama a sega 200 mm</p> 	<p>Protezione lama a sega 200 mm</p> 
<p>Lama a sega 225 mm</p> 	<p>Protezione lama a sega 225 mm</p> 
<p>Testina da taglio in nylon</p> 	<p>Protezione per testina da taglio in nylon</p> 

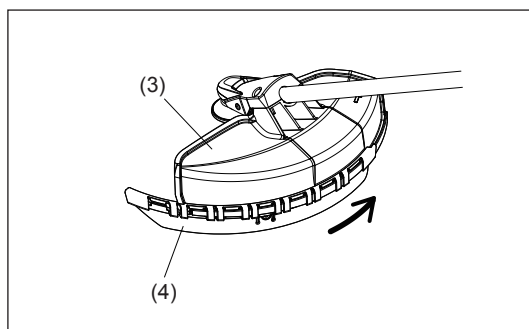
- Quando si utilizza la lama in metallo, fissare la protezione (3) al morsetto (2) con due bulloni (1).

NOTA: Serrare i bulloni destro e sinistro in maniera uniforme così da ottenere una distanza costante tra il morsetto (2) e la protezione (3).
Diversamente, la protezione potrebbe non funzionare come specificato.

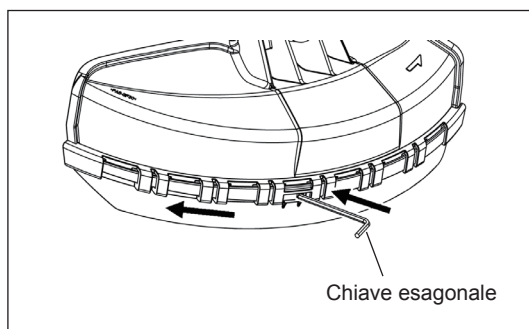


- Per l'uso del filo da taglio in nylon, montare la protezione del filo da taglio in nylon (4) sulla protezione della lama in metallo (3).
- Montare la protezione del filo da taglio in nylon (4) facendola scorrere in posizione dal lato della protezione della lama in metallo (3), come mostrato nella figura.
- Rimuovere il nastro adesivo dal dispositivo da taglio, il cui scopo è tagliare il filo di nylon, sulla protezione del filo da taglio in nylon (4).

ATTENZIONE: Spingere la protezione del filo da taglio in nylon (4) fino al completo inserimento.
Prestare attenzione a non ferirsi con il dispositivo da taglio del filo di nylon.



- Per rimuovere la protezione del filo da taglio in nylon (4), inserire una chiave esagonale nella tacca sulla protezione della lama in metallo (3), spingere verso l'interno e far scorrere la protezione del filo da taglio in nylon (4).



MONTAGGIO DELLA LAMA IN METALLO O DELLA TESTINA DA TAGLIO IN NYLON

Usare lame in metallo o testine da taglio in nylon originali MAKITA.

- La lama in metallo deve essere ben affilata, priva di crepe o fenditure. Se durante l'uso la lama in metallo colpisce una pietra, spegnere il motore e controllare subito la lama.
- Affilare o sostituire la lama in metallo ogni tre ore di utilizzo.
- Se durante l'uso la testina da taglio in nylon colpisce una pietra, spegnere il motore e controllare subito la testina da taglio in nylon.

ATTENZIONE: Per la propria sicurezza e per adempiere alle norme sulla prevenzione degli infortuni, occorre che sia sempre installata la protezione adeguata. Il funzionamento dell'utensile senza protezione non è consentito. Il diametro esterno della lama da taglio deve essere 300 mm (12") o inferiore. Non utilizzare lame con diametro esterno superiore a 300 mm (12").

Capovolgere l'utensile per sostituire agevolmente la lama in metallo o la testina da taglio in nylon.

- Inserire la chiave esagonale nel foro nella scatola degli ingranaggi e ruotare la rondella (4) con la chiave esagonale fino a bloccarla.
- Allentare il dado (1) (filettatura sinistrorsa) con la chiave a tubo e rimuovere il dado (1), la coppa (2) e la rondella del morsetto (3).

Montaggio della lama in metallo senza spostare la chiave esagonale

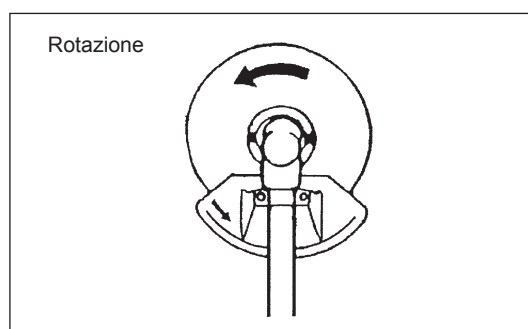
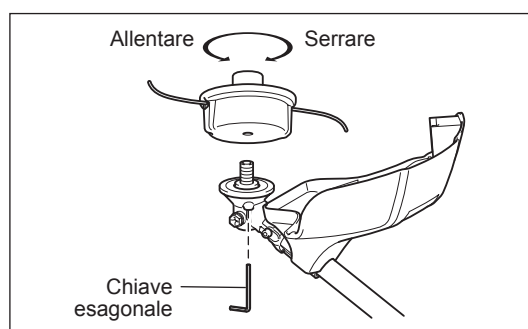
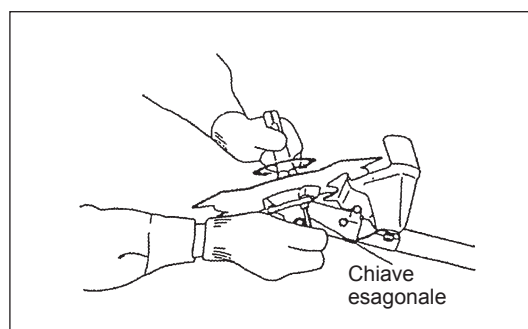
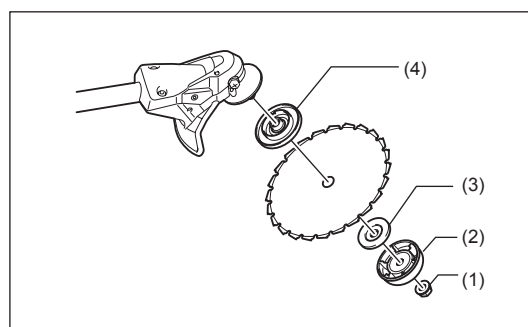
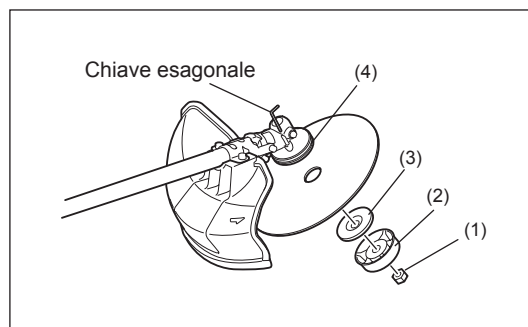
- Montare la lama in metallo sull'albero in modo che la guida della rondella (4) si inserisca nel foro della lama in metallo. Installare la rondella del morsetto (3), la coppa (2) e fissare la lama in metallo con il dado (1).
[Coppia di serraggio: 20 - 30 N-m]

NOTA: Indossare sempre i guanti per maneggiare la lama in metallo.

NOTA: Il dado di serraggio della lama in metallo (con la rondella elastica) è un componente soggetto a usura. Se si rilevano segni di usura o deformazione della rondella elastica, è opportuno sostituire il dado.

Montaggio della testina da taglio in nylon

- La rondella del morsetto (3), la coppa (2) e il dado (1) non sono necessari per il montaggio della testina da taglio in nylon. La testina da taglio in nylon deve essere inserita sopra la rondella (4).
- Inserire la chiave esagonale nel foro nella scatola degli ingranaggi e ruotare la rondella (4) con la chiave esagonale fino a bloccarla.
- Avvitare quindi la testina da taglio in nylon sull'albero ruotandola in senso antiorario.
- Rimuovere la chiave esagonale.



PRIMA DELL'AVVIAMENTO

Ispezione e rabbocco dell'olio motore

- Eseguire la seguente procedura a motore freddo.
- Mantenere il motore su una superficie piana orizzontale e verificare che il livello dell'olio sia compreso tra il limite superiore o inferiore dell'indicatore dell'olio.
- Se il livello dell'olio è al di sotto del limite inferiore, rimuovere il tappo dell'olio e aggiungere l'olio.
- L'area che circonda i contrassegni esterni è trasparente, pertanto è possibile controllare il livello dell'olio senza dover rimuovere il tappo. Tuttavia, se il tubo dell'olio è particolarmente sporco, la visibilità potrebbe essere compromessa; in questo caso occorre controllare il livello dell'olio utilizzando la sezione a gradini all'interno del tubo.
- Potrebbe essere necessario rabboccare l'olio approssimativamente ogni 10 ore di funzionamento (ogni 10 rifornimenti). Sostituire l'olio se cambia colore o viene a contatto con della sporcizia. (Per informazioni sull'intervallo e sul metodo di sostituzione, vedere pag. 100.)

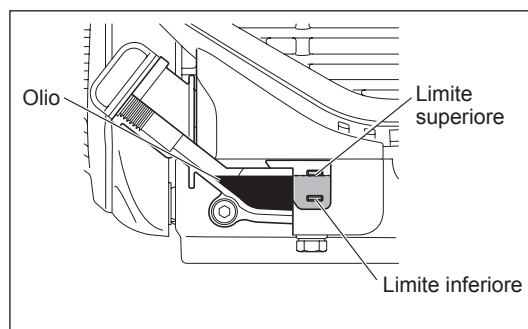
Olio consigliato: Olio SAE 10W-30 di classificazione API, classe SF o superiore (motore a quattro tempi per automobili)

Volume dell'olio: Circa 0,10 l

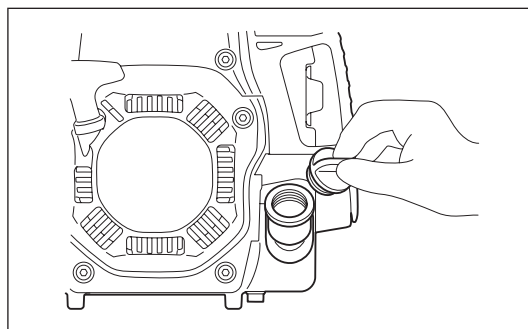
NOTA: Se il motore non è posizionato su una superficie orizzontale come illustrato, potrebbe verificarsi un'indicazione inesatta del livello dell'olio con conseguente trabocco dell'olio stesso. Il rabbocco dell'olio effettuato oltre il limite superiore potrebbe causare la contaminazione dell'olio e/o la produzione di fumo bianco.

Sostituzione dell'olio: "Tappo dell'olio"

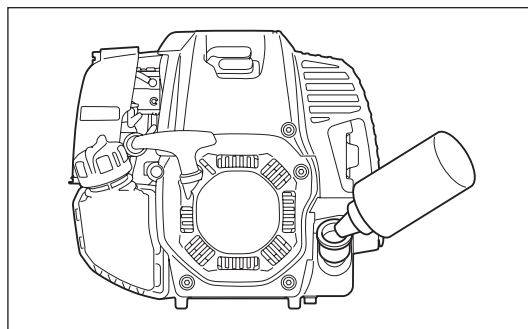
- Rimuovere polvere o sporcizia in prossimità del bocchettone di rifornimento dell'olio, quindi rimuovere il tappo dell'olio.
- Evitare il contatto del tappo dell'olio con sabbia o polvere. In caso contrario, la sabbia o la polvere che ha aderito al tappo potrebbe provocare una circolazione irregolare dell'olio o determinare l'usura delle parti del motore, con conseguenti problemi.



(1) Mantenere il motore in piano e rimuovere il tappo dell'olio.



(2) Rabboccare con olio fino all'indicatore di limite superiore. Utilizzare il flacone dell'olio per il rifornimento.



(3) Serrare il tappo dell'olio. Un serraggio insufficiente potrebbe causare perdite d'olio.

Nota

- Non sostituire l'olio se il motore è in posizione inclinata.
- Il rabbocco effettuato con il motore inclinato può portare a un eccessivo riempimento, causando la contaminazione dell'olio e/o la produzione di fumo bianco.

Dopo il rabbocco dell'olio

- Pulire immediatamente con uno straccio tutto l'olio fuoriuscito.

RIFORNIMENTO

Gestione del carburante

È necessario trattare sempre il carburante con la massima attenzione. Il carburante potrebbe contenere sostanze simili a solventi. Il rifornimento deve avvenire in un ambiente ben aerato o all'aria aperta. Non inalare i vapori e mantenere il carburante a distanza dal proprio corpo. Un contatto ripetuto o prolungato con il carburante potrebbe seccare la pelle, provocando fastidi o allergie. Qualora il carburante entri a contatto con gli occhi, lavare gli occhi con acqua fresca. Se l'irritazione oculare persiste, consultare un medico.

Periodo di conservazione del carburante

Il carburante deve essere usato entro 4 settimane, anche se viene conservato in contenitori specifici in zone ben ventilate e in ombra. In caso contrario, il carburante potrebbe deteriorarsi in un giorno.

CONSERVAZIONE DELL'UTENSILE E RIFORNIMENTO DEL SERBATOIO

- Conservare l'utensile e il serbatoio in un luogo fresco e non esposto alla luce diretta del sole.
- Non conservare il carburante in auto.

Carburante

Il motore dell'utensile è a quattro tempi. Utilizzare benzina senza piombo per automobili con almeno 87 ottani ((R+M)/2). Non deve contenere più del 10% di alcol (E-10).

Informazioni utili sul carburante

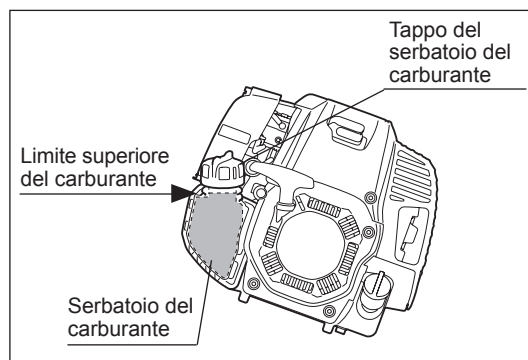
- Non utilizzare una miscela di benzina e olio motore. In caso contrario, potrebbe verificarsi un accumulo eccessivo di carbonio con conseguenti problemi meccanici.
- L'uso di olio deteriorato può causare un avviamento irregolare.

Rifornimento

AVVERTENZA: Prima del rifornimento spegnere il motore, allontanarsi dalle fiamme libere e non fumare.

- Allentare leggermente il tappo dell'olio per sfogare la pressione nel serbatoio.
- Rimuovere il tappo del serbatoio ed effettuare il rifornimento, scaricando l'aria con un'inclinazione del serbatoio in modo da orientare il bocchettone verso l'alto. **NON** rabboccare il carburante fino alla parte superiore del serbatoio.
- Pulire la parte esterna del tappo del serbatoio per evitare la penetrazione di corpi estranei nel serbatoio del carburante.
- Serrare il tappo del serbatoio una volta completato il rifornimento.

- Se il tappo del serbatoio presenta danni o difetti è necessario sostituirlo.
- Il tappo del serbatoio si usura con il tempo. Sostituirlo ogni due o tre anni.
- **NON** versare carburante nell'apertura di rabbocco dell'olio.



GESTIONE CORRETTA DELL'UTENSILE

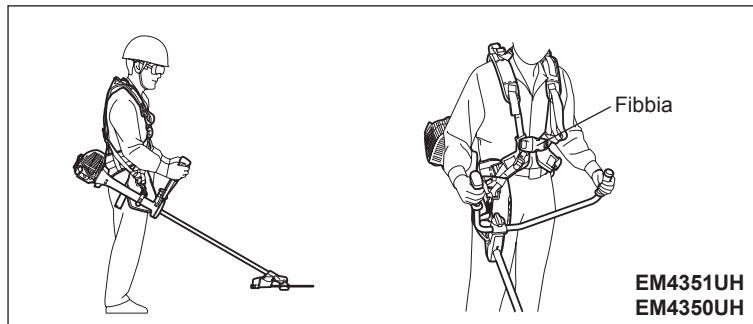
Fissaggio della cintura a spalla

- Regolare la lunghezza della cinghia in modo che la lama in metallo sia sempre parallela al terreno.

Per EM4351UH, EM4350UH

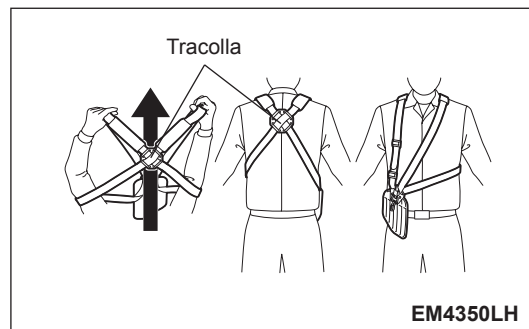
Indossare la tracolla, fissarla con la fibbia e regolare la lunghezza delle cinture.

NOTA: Prestare attenzione a non impigliare vestiti, ecc., nella fibbia.



Per EM4350LH

- 1) Infilarsi in piedi la tracolla. Far passare le cinture tra la testa e tra le braccia.
- 2) Se la tracolla è attrezzata correttamente, la piastrina delle cinture si trova sulla schiena; mentre i regolatori e il gancio, sulla destra.



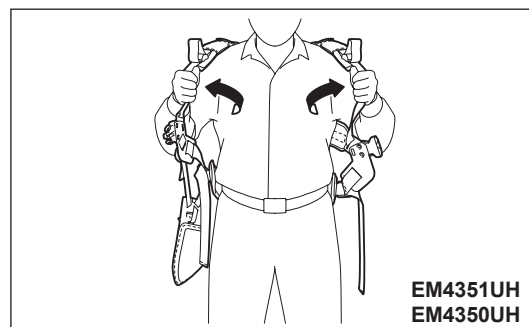
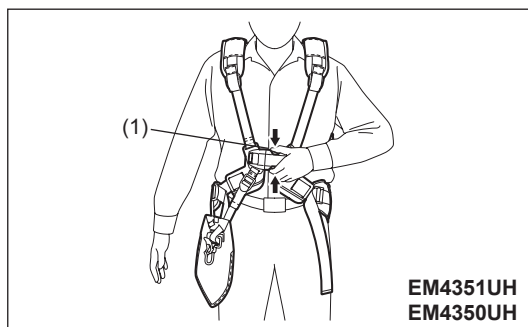
Rilascio dell'utensile

Per EM4351UH, EM4350UH

- Per rilasciare l'utensile, schiacciare i lati della fibbia (1) e togliere la cintura a spalla.

Durante questa operazione è fondamentale mantenere il controllo dell'utensile. Impedire che l'utensile venga deviato verso l'operatore o altre persone nelle vicinanze.

AVVERTENZA: La perdita completa del controllo dell'utensile potrebbe essere causa di gravi infortuni o DECESSO.

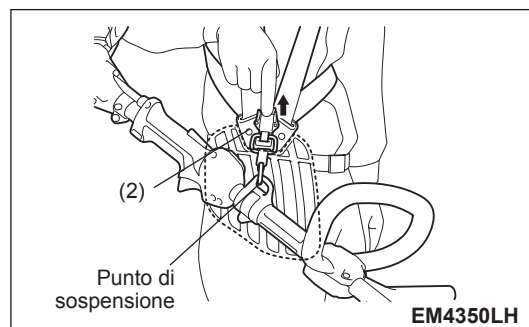


Per EM4350LH

- Per rilasciare l'utensile, rilasciare la leva di distacco di emergenza (2) tirando con forza con le dita.

Durante questa operazione è fondamentale mantenere il controllo dell'utensile. Impedire che l'utensile venga deviato verso l'operatore o altre persone nelle vicinanze.

AVVERTENZA: La perdita completa del controllo dell'utensile potrebbe essere causa di gravi infortuni o DECESSO.



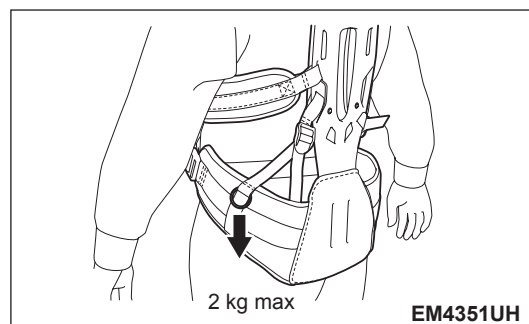
Anello di aggancio

Per EM4351UH

- L'anello può essere usato per appendere oggetti di peso inferiore a 2 kg (4,4 libbre).

AVVISO: Non appendere sull'anello oggetti di peso superiore a 2 kg (4,4 libbre). In caso contrario, potrebbe verificarsi un guasto con conseguente danneggiamento dell'oggetto in questione.

ATTENZIONE: Non appendere sull'anello oggetti che possano impigliarsi in cespugli o arbusti. In caso contrario, potrebbe verificarsi perdita di equilibrio e controllo con conseguenti danni alla persona.



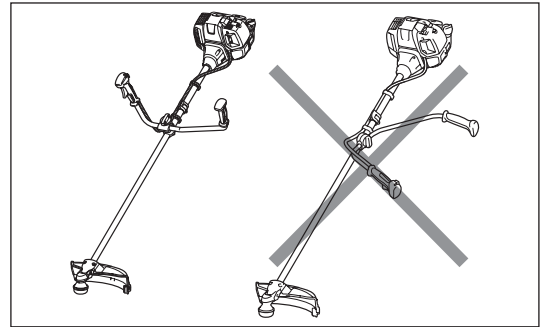
INFORMAZIONI UTILI SUL FUNZIONAMENTO E SULL'ARRESTO

Rispettare le normative vigenti per la prevenzione degli infortuni.



Prima di avviare il motore, regolare l'impugnatura nella posizione corretta.

In caso contrario l'utensile da taglio potrebbe improvvisamente capovolgersi e causare lesioni, in quanto il cavo dell'acceleratore potrebbe essere tirato o piegato, provocando l'apertura dell'acceleratore.

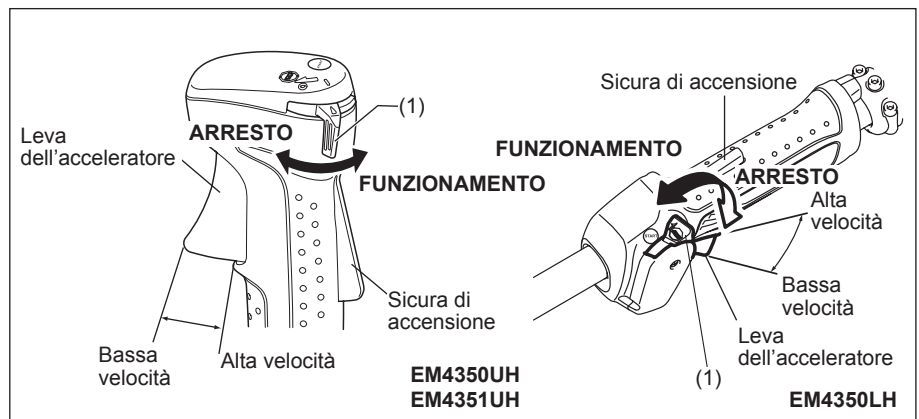


AVVIAMENTO

Allontanarsi di almeno 3 metri dal punto di rifornimento. Appoggiare l'utensile a terra premurandosi di non lasciarlo a contatto con il terreno o con qualunque altro oggetto.

A: Avviamento a freddo

- 1) Appoggiare l'utensile su una superficie piana.
- 2) Portare l'interruttore I-O (1) nella posizione di FUNZIONAMENTO.

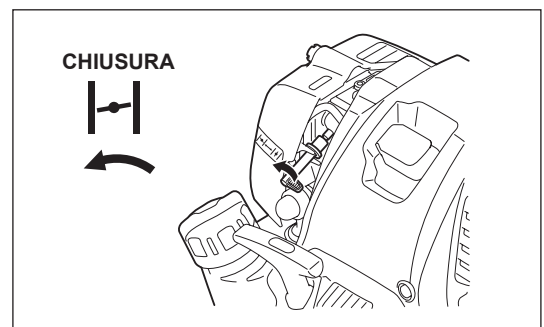


- 3) Levetta dell'aria

Chiudere la levetta dell'aria.

Apertura dell'aria:

- Completamente chiusa a basse temperature o quando il motore è freddo.
- Aperta o semiaperta se il motore è un po' caldo, come ad esempio in caso di riavvio del motore subito dopo l'operazione di riscaldamento.



- 4) Pompa di adescamento

Premere la pompa di adescamento finché il carburante non affluisce nella pompa. (In generale sono necessarie da 7 a 10 pressioni.)

Se la pompa di adescamento viene premuta eccessivamente, la benzina in eccesso torna nel serbatoio del carburante.



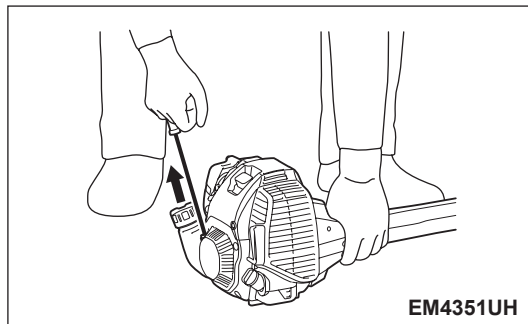
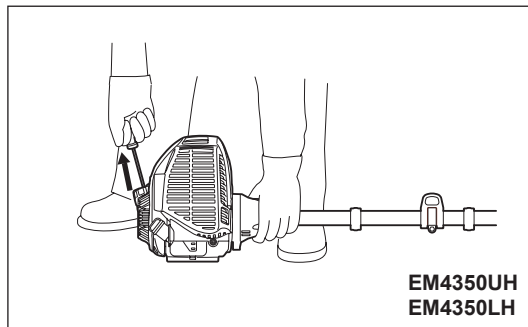
5) Starter manuale

Assicurarsi di avere un equilibrio stabile.
Tenere l'unità con la mano sinistra e bloccarla a terra saldamente.

ATTENZIONE: Non salire con piedi o ginocchia sul cavo dell'acceleratore.
Si potrebbe tirare involontariamente il filo interno e avviare la rotazione dell'utensile da taglio.
Non aprire l'acceleratore.

Tirare delicatamente la manopola di avviamento finché non inizia a sentirsi una certa resistenza. A questo punto, riportare la manopola nella posizione iniziale e tirarla con forza.

Non tirare la corda fino alla completa estensione. Una volta tirata la manopola di avviamento, non togliere immediatamente la mano. Accompagnare la manopola di avviamento finché non ritorna nella posizione originale.



6) Levetta dell'aria

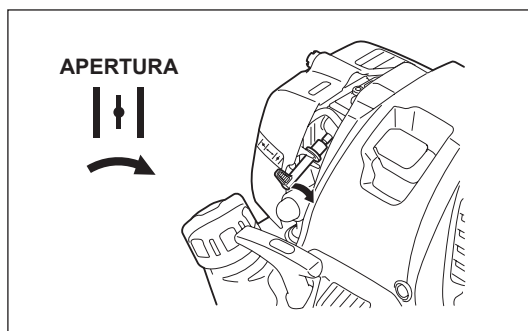
Una volta avviato il motore, portare la levetta dell'aria nella posizione di APERTURA.

- Aprire gradualmente la levetta dell'aria controllando il funzionamento del motore. Tirare completamente la levetta dell'aria per aprire totalmente l'aria.
- In ambienti freddi o se il motore è freddo, non aprire mai d'improvviso la levetta dell'aria. Diversamente, il motore potrebbe spegnersi.

7) Operazione di riscaldamento

Continuare l'operazione di riscaldamento per 2 o 3 minuti.

AVVISO: Non tirare la leva dell'acceleratore se non necessario quando il motore non è in funzione. Ciò al fine di evitare la possibile fuoriuscita di carburante dal filtro dell'aria. In caso di fuoriuscita, rimuovere il carburante versato con uno strofinaccio. Aprire inoltre il coperchio del filtro dell'aria e pulire l'elemento filtrante e la piastra del filtro dell'aria.



NOTA:

- Non tirare la leva dell'acceleratore se non necessario quando il motore non è in funzione, onde evitare che il carburante ingolfi il motore e renda difficile l'avvio del motore.
- In caso di eccessivo afflusso di carburante, staccare la candela e tirare lentamente l'impugnatura di avviamento per eliminare il carburante in eccesso. Asciugare quindi la sezione degli elettrodi della candela.
- Se il motore si avvia e poi si arresta, o si arresta poco dopo l'avvio, riportare la levetta dell'aria nella posizione di APERTURA, e tirare di nuovo la manopola di avviamento un paio di volte per avviare il motore.
- Se la levetta dell'aria rimane nella posizione di CHIUSURA e la manopola di avviamento viene tirata ripetutamente, è possibile che venga aspirato troppo carburante e che il motore risulti difficile da avviare.
- Non far girare a vuoto il motore durante l'operazione di riscaldamento se non necessario.

B: Partenza a caldo

1) Mantenere la levetta dell'aria completamente aperta.

2) Premere più volte la pompa di adescamento.

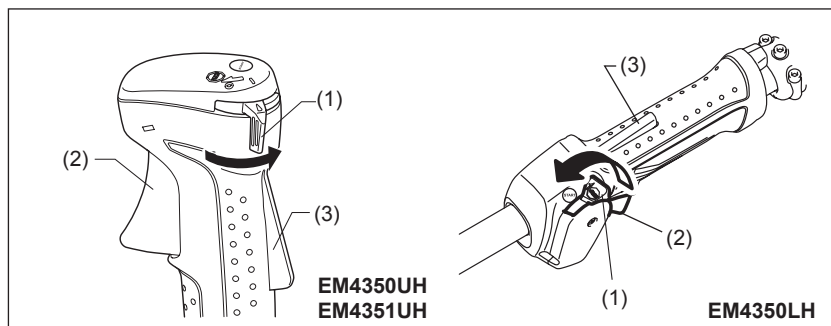
3) Mantenere la leva dell'acceleratore nella posizione di folle.

4) Tirare con forza lo starter manuale.

5) Se l'avvio del motore è difficoltoso, rilasciare la sicura di accensione (3), tirare la leva dell'acceleratore (2) e portare l'interruttore I-O (1) nella posizione di blocco dell'acceleratore. Tenendo premuto l'interruttore I-O (1), rilasciare la leva dell'acceleratore (2) e la sicura di accensione (3), quindi tirare la manopola di avviamento.

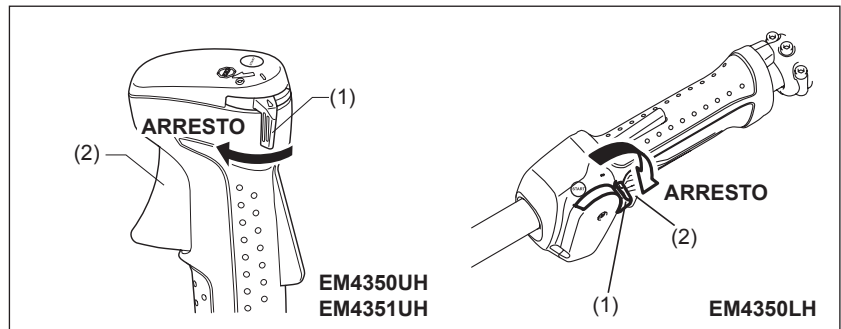
AVVERTENZA: Fare attenzione all'immediata rotazione dell'utensile da taglio.

6) Una volta avviato il motore, rilasciare la sicura di accensione (3) e tirare la leva dell'acceleratore (2), quindi rilasciarli entrambi per portare il motore in folle.



ARRESTO

- 1) Rilasciare completamente la leva dell'acceleratore (2) e, una volta ridotto il regime del motore, portare l'interruttore I-O (1) nella posizione di ARRESTO (STOP). Il motore si spegne.
- 2) L'utensile da taglio continua a ruotare per qualche istante dopo l'arresto del motore. Attendere l'arresto totale.

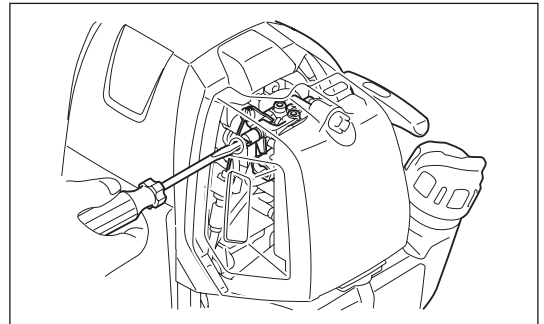


REGOLAZIONE DELLA VELOCITÀ AL MINIMO

Qualora fosse necessario regolare la velocità al minimo, effettuare la modifica utilizzando la vite di regolazione del carburatore.

CONTROLLO DELLA VELOCITÀ AL MINIMO

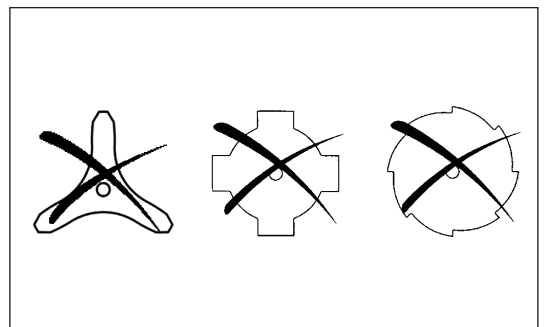
- Impostare la velocità al minimo su 3.000 min⁻¹. Qualora fosse necessario cambiare la velocità al minimo, regolare la vite mostrata a destra con un cacciavite a stella.
- Per aumentare la velocità al minimo, girare la vite di regolazione in senso orario. Per ridurre la velocità al minimo, girare la vite di regolazione in senso antiorario.
- Il carburatore è regolato dalla fabbrica. Tuttavia, dopo svariati utilizzi, ripetere la regolazione della velocità al minimo.



AFFILATURA DELL'UTENSILE DA TAGLIO

ATTENZIONE: Gli utensili da taglio mostrati in figura non devono essere affilati. L'affilatura manuale può causare uno squilibrio dell'utensile da taglio, con conseguenti vibrazioni e danni all'utensile.

NOTA: Per aumentare la durata della lama da taglio è possibile capovolgerla di tanto in tanto, fino a usurare entrambi i margini di taglio.



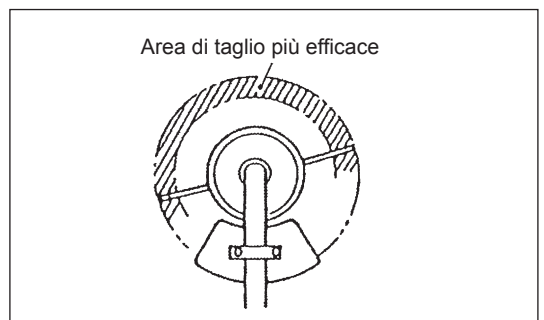
TESTINA DA TAGLIO IN NYLON

La testina da taglio in nylon è una testina tagliabordi a doppio filo con meccanismo di avanzamento del filo a battitura.

Dopo averla picchiettata sul terreno, la testina da taglio in nylon preleva una sezione di filo in nylon della lunghezza corretta in base ai cambiamenti di forza centrifuga determinati dalle variazioni nel numero di giri.

Funzionamento

- Aumentare la velocità della testina da taglio in nylon a circa 6.000 min⁻¹. Battere delicatamente la testina da taglio in nylon sul terreno.
- L'area di taglio più efficace è quella compresa nella parte ombreggiata.
- Se il filo di nylon non viene estratto, riavvolgere o sostituire il filo seguendo le procedure descritte in "Sostituzione del filo di nylon".



Sostituzione del filo di nylon (AVANZAMENTO DEL FILO A BATTITURA)

AVVERTENZA: Assicurarsi che il coperchio della testina da taglio in nylon sia fissato correttamente sull'alloggiamento come descritto di seguito. Il mancato fissaggio del coperchio potrebbe causare un distacco della testina da taglio in nylon, con conseguenti lesioni gravi.

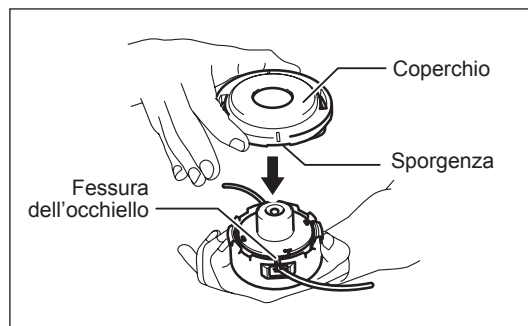
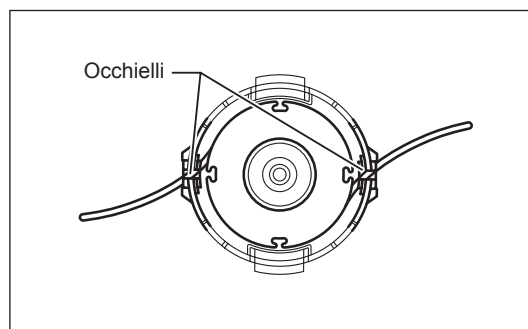
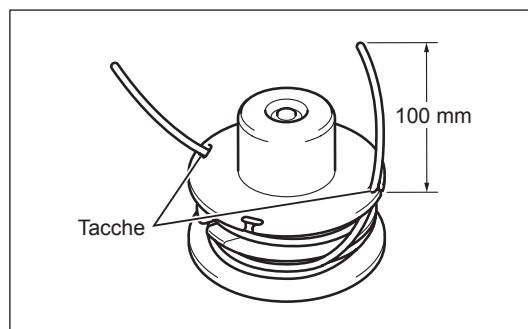
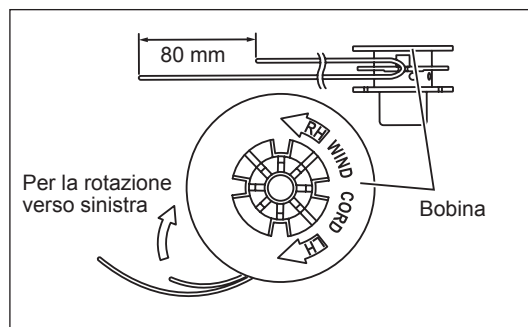
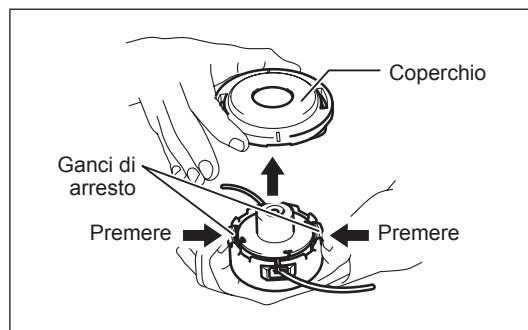
Premere i ganci di arresto dell'alloggiamento verso l'interno e sollevarli verso l'alto per rimuovere il coperchio.
Gettare il filo di nylon rimanente.

Agganciare la parte centrale del nuovo filo di nylon alla tacca posta al centro della bobina tra i 2 canali forniti per il filo di nylon. Un capo del filo deve essere più lungo di circa 80 mm rispetto all'altro capo.
Avvolgere saldamente entrambe le estremità intorno alla bobina nella direzione indicata sulla testina per la direzione sinistrorsa (LH).

Avvolgere tutto il filo, tranne 100 mm, lasciando le estremità temporaneamente agganciate alla tacca sul fianco della bobina.

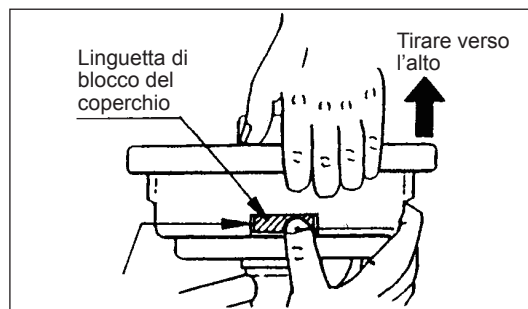
Montare la bobina nell'alloggiamento in modo che le scanalature e le sporgenze della bobina corrispondano a quelle dell'alloggiamento. Mantenere ben visibile il lato dalla bobina con le lettere rivolte in alto. A questo punto, sganciare le estremità del filo dalla loro posizione temporanea e passarle attraverso gli occhielli in modo che fuoriescano dall'alloggiamento.

Allineare la sporgenza sul lato inferiore del coperchio con le fessure degli occhielli.
Spingere saldamente il coperchio sull'alloggiamento per fissarlo. Assicurarsi che i ganci di arresto si estendano completamente sul coperchio.

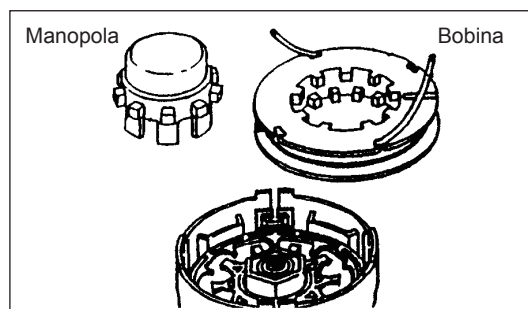


Sostituzione del filo di nylon (ULTRA AUTO)

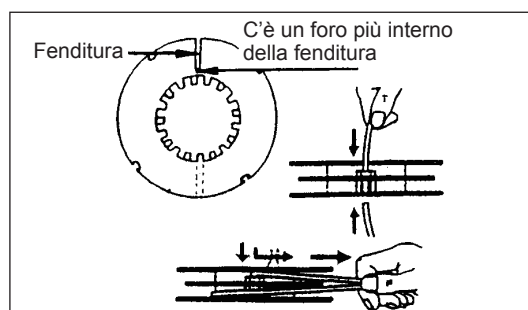
1. Togliere il coperchio dall'alloggiamento, premendo le due linguette di blocco ai lati opposti dell'alloggiamento.



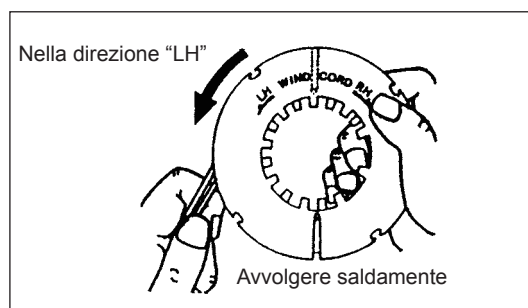
2. Estrarre la manopola e la bobina dall'alloggiamento.



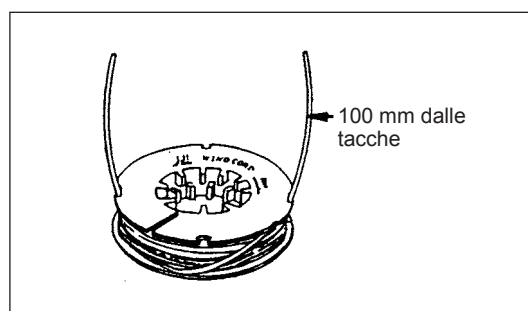
3. Inserire ogni estremità delle due linee di taglio nei fori più interni dell'alloggiamento su una delle flange esterne della bobina. Inserire le linee nelle condutture delle bobine utilizzando le fenditure sulle flange.



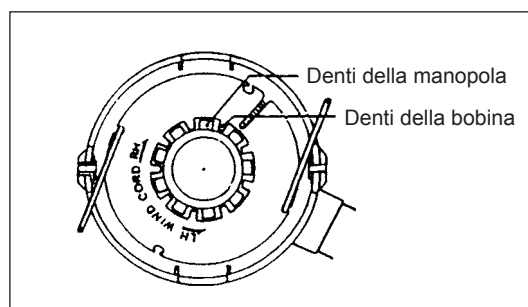
4. Avvolgere saldamente le linee nella direzione mostrata dalla freccia sinistra (LH) sulla flangia. Non incrociare le linee.



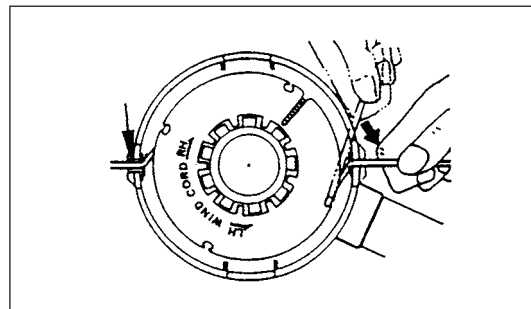
5. Avvolgere tutto il filo, tranne 100 mm (3-15/16"), lasciando le estremità temporaneamente agganciate alla tacca sul fianco della bobina.



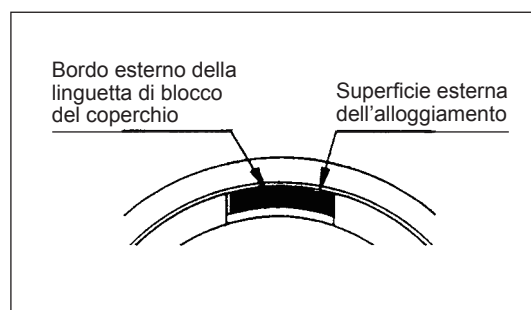
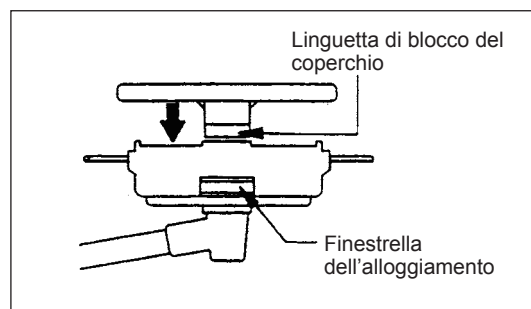
6. Inserire la manopola nell'alloggiamento, posizionandola in modo che possa muoversi liberamente in alto e in basso con la tensione della molla. Inserire la bobina nell'alloggiamento, allineando i denti sulla bobina e la manopola in modo alternato, come se fossero ingranaggi.



7. Inserire le linee di taglio negli occhielli.



8. Posizionare il coperchio sull'alloggiamento, allineando le linguette sul coperchio alle finestre sull'alloggiamento. Assicurarsi che il coperchio sia fissato all'alloggiamento. Il bordo esterno della linguetta di blocco e la superficie esterna dell'alloggiamento devono trovarsi sulla stessa circonferenza.



ISTRUZIONI PER LA MANUTENZIONE

ATTENZIONE: Prima di effettuare qualsiasi intervento sull'utensile, spegnere il motore e staccare la candela (vedere "Controllo della candela"). Indossare sempre i guanti di protezione.

Per garantire una vita utile prolungata ed evitare danni all'utensile, è opportuno effettuare periodicamente le seguenti operazioni di manutenzione.

Controllo e manutenzione giornalieri

- Prima dell'uso, controllare l'utensile alla ricerca di viti allentate o parti mancanti. Verificare in particolare che la lama in metallo o la testina da taglio in nylon sia ben serrata.
- Prima dell'uso, verificare che il passaggio dell'aria di raffreddamento e le alette del cilindro non siano intasati. Effettuare la pulizia, se necessario.
- Eseguire le seguenti operazioni di manutenzione giornaliere dopo l'uso:
 - Pulire esternamente l'utensile e verificare la presenza di danni.
 - Pulire il filtro dell'aria. Se il lavoro avviene in ambienti particolarmente polverosi è bene pulire il filtro più volte al giorno.
 - Controllare eventuali danni alla lama o alla testina da taglio in nylon e verificare che siano montati saldamente.
 - Controllare che vi sia una differenza sufficiente tra la velocità al minimo e la velocità di esercizio, in modo che l'utensile da taglio sia fermo quando il motore è al minimo (se necessario ridurre la velocità al minimo).
Se in condizioni di minimo l'utensile è ancora in funzione, rivolgersi al centro assistenza autorizzato di zona.
- Controllare il funzionamento dell'interruttore I-O, della sicura di accensione, della leva dell'acceleratore e del pulsante di bloccaggio.

SOSTITUZIONE DELL'OLIO MOTORE

L'olio motore deteriorato riduce la durata del motore. Controllare regolarmente l'olio e il relativo livello.



AVVERTENZA: Subito dopo l'arresto, il motore e l'olio motore sono ancora caldi. Attendere il tempo necessario affinché il motore e l'olio motore si raffreddino. In caso contrario potrebbero verificarsi ustioni.

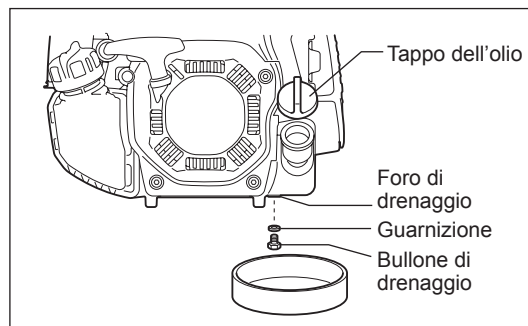
NOTA: Se l'olio supera il limite potrebbero verificarsi contaminazioni o incendi che producono fumo bianco. Dopo l'arresto del motore, attendere il tempo necessario affinché l'olio motore torni al serbatoio dell'olio e sia garantita una lettura accurata del livello dell'olio.

Intervallo di sostituzione: Inizialmente ogni 20 ore di funzionamento, successivamente ogni 50 ore di funzionamento.

Olio consigliato: Olio SAE 10W-30, classificazione API, classe SF o superiore (motore a quattro tempi per automobili)

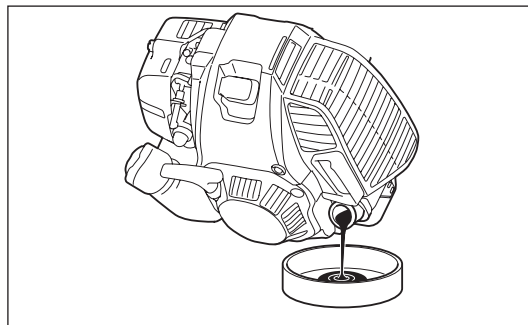
Per la sostituzione attenersi alla seguente procedura.

- 1) Assicurarsi che il tappo del serbatoio del carburante sia ben serrato.
- 2) Posizionare un grande contenitore sotto il foro di drenaggio.
- 3) Rimuovere il bullone di drenaggio e quindi il tappo dell'olio per scaricare l'olio dal foro di drenaggio.
In questa fase, evitare di perdere la guarnizione del bullone di drenaggio e di sporcare i componenti rimossi.
- 4) Una volta scaricato l'olio, montare la guarnizione e il bullone di drenaggio, poi serrare quest'ultimo in modo che non si allenti e causi perdite.
[Coppia di serraggio: 5 N-m]
* Utilizzare un panno per rimuovere l'olio che ha aderito al bullone e all'utensile.



Metodo di drenaggio alternativo

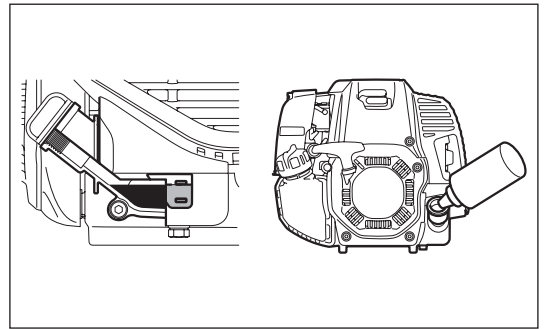
Rimuovere il tappo dell'olio, inclinare l'utensile verso il foro di rabbocco e scaricare l'olio.
Raccogliere l'olio in un contenitore.



- 5) Posizionare il motore in piano e rabboccare gradatamente l'olio fino all'indicatore di limite superiore.
- 6) Dopo il rifornimento, serrare il tappo dell'olio in modo che non si allenti e causi perdite.
Se il tappo dell'olio non è correttamente serrato, potrebbero verificarsi perdite d'olio.

INFORMAZIONI UTILI SULL'OLIO

- Non gettare l'olio motore sostituito nella spazzatura, nel terreno o nei tombini. Lo smaltimento dell'olio è regolamentato dalle leggi. Per lo smaltimento attenersi sempre a leggi e regolamenti in vigore. Per qualsiasi informazione rivolgersi al rappresentante autorizzato dell'assistenza.
- L'olio si deteriora anche se resta inutilizzato. Eseguire regolarmente l'ispezione e la sostituzione (sostituire l'olio ogni 6 mesi).



PULIZIA DEL FILTRO DELL'ARIA



AVVERTENZA: Spegner il motore, allontanarsi dalle fiamme libere e non fumare.

Intervallo di pulizia ed ispezione: Quotidiana (ogni 10 ore di funzionamento)

- Ruotare la leva del dispositivo di avviamento in modo che sia completamente chiusa e tenere il carburatore lontano da polvere e sporcizia.

Rimozione del coperchio del filtro dell'aria

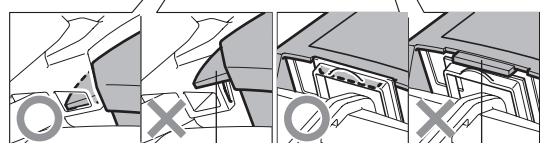
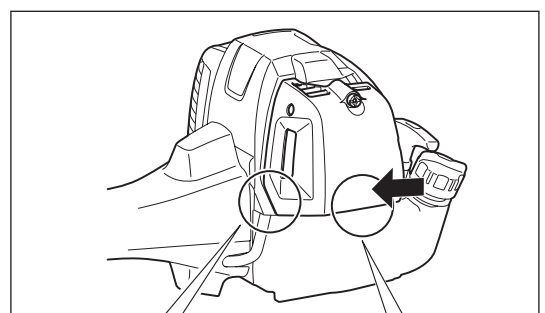
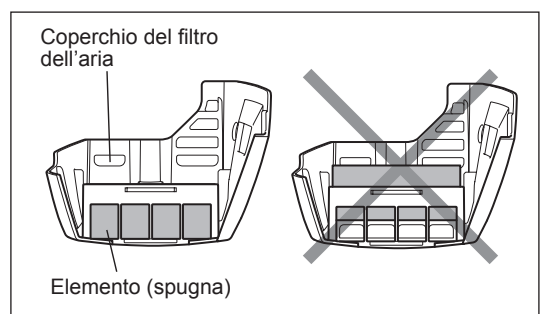
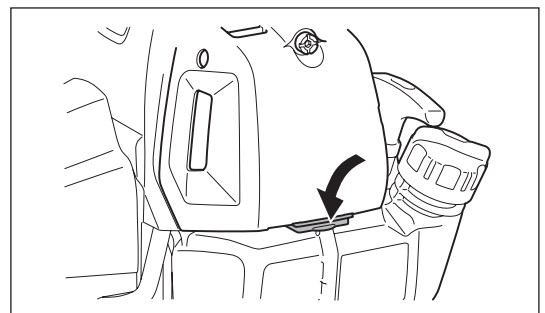
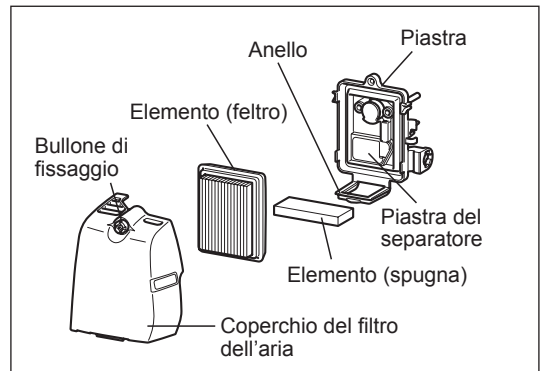
- Rilasciare il gancio sul coperchio del filtro dell'aria schiacciando l'anello sulla piastra.
- Allentare il bullone di fissaggio.
- Tirare e rimuovere il coperchio del filtro dell'aria.

Pulizia dell'elemento

- Rimuovere gli elementi e picchiettarli per rimuovere lo sporco.
- In caso di grave contaminazione:
 - 1) Rimuovere l'elemento (spugna), immergerlo in acqua calda o in acqua con detergente neutro e lasciarlo asciugare completamente. Non strizzarlo o strofinarlo durante il lavaggio.
 - 2) Pulire l'elemento (feltro) picchiettandolo delicatamente. Se si ha la possibilità di utilizzare una pistola di soffiaggio aria, soffiare l'aria compressa sulla parte interna dell'elemento (feltro). Non lavare l'elemento (feltro).
- Prima di inserire l'elemento (spugna), lasciarlo asciugare completamente. Un'asciugatura insufficiente dell'elemento (spugna) potrebbe comportare difficoltà nell'avviamento.
- Pulire l'olio intorno al coperchio del filtro dell'aria e al separatore con degli stracci.

Applicazione del coperchio del filtro dell'aria

- Sistemare l'elemento (spugna) nell'elemento (feltro). Inserire l'elemento (spugna) fino in fondo al coperchio del filtro dell'aria.
- Inserire come illustrato il gancio laterale nel coperchio del filtro dell'aria, quindi spingere la parte inferiore del coperchio del filtro dell'aria fino al suo scatto in modo che il gancio aderisca correttamente all'anello. Successivamente, serrare il coperchio del filtro dell'aria con un bullone di fissaggio.



Gancio laterale

Gancio

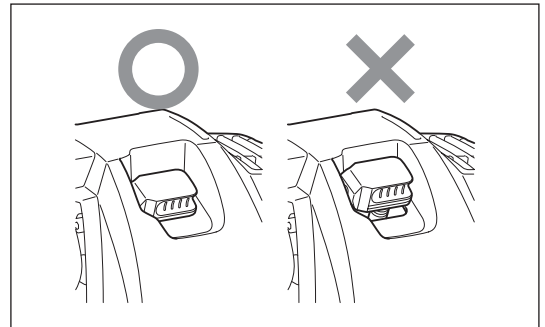
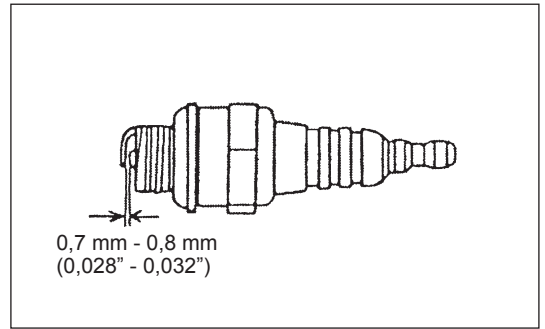
AVVISO:

- Pulire gli elementi più volte al giorno se la polvere è eccessiva. Gli elementi sporchi riducono la potenza del motore e rendono difficoltoso l'avviamento del motore.
- Rimuovere l'olio dagli elementi. Se l'utilizzo continua senza che l'olio venga rimosso dagli elementi, l'olio all'interno del filtro dell'aria potrebbe fuoriuscire, provocando una contaminazione dell'ambiente.
- Non appoggiare gli elementi a terra o in luoghi sporchi. In caso contrario, gli stessi raccolgono sporcizia e detriti. Ciò potrebbe danneggiare il motore.
- Non utilizzare il carburante per la pulizia degli elementi. Il carburante potrebbe danneggiarli.

CONTROLLO DELLA CANDELA

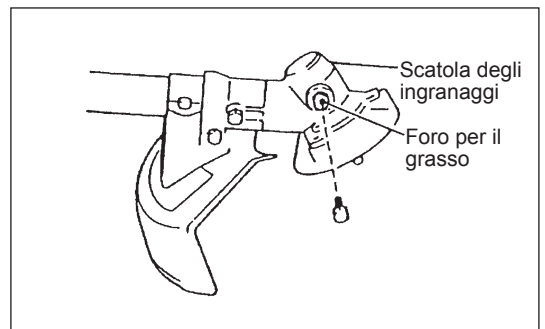
- Utilizzare esclusivamente la chiave universale in dotazione per rimuovere o montare la candela.
- La distanza tra i due elettrodi della candela deve essere compresa tra 0,7 e 0,8 mm (0,028" - 0,032"). Se la distanza è superiore o inferiore a questo intervallo è necessario regolarla. Se la candela è ostruita o contaminata occorre pulirla accuratamente o sostituirla. Dopo il controllo, posizionare correttamente la candela come illustrato.

ATTENZIONE: Non toccare mai il cavo della candela mentre il motore è in moto (pericolo di scossa elettrica ad alta tensione).



INGRASSAGGIO DELLA SCATOLA DEGLI INGRANAGGI

- Ingrassare la scatola degli ingranaggi inserendo grasso (Shell Alvania 2 o equivalente) nell'apposito foro ogni 30 ore. (Il grasso MAKITA originale può essere acquistato presso il rivenditore MAKITA di zona.)

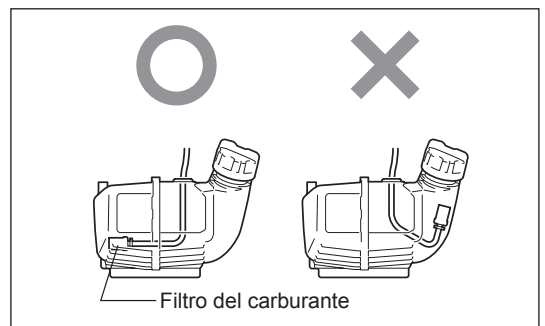
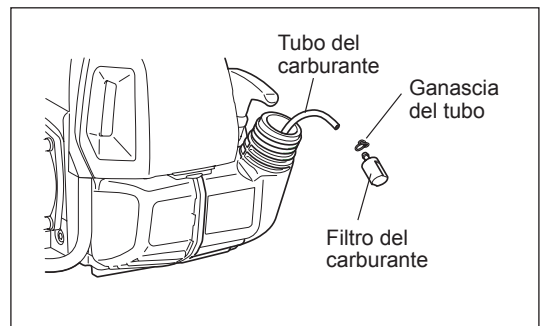


PULIZIA DEL FILTRO DEL CARBURANTE AVVERTENZA: DIVIETO DI UTILIZZO DI INFIAMMABILI

Intervallo di pulizia ed ispezione: Mensile (ogni 50 ore di funzionamento)

Testina di aspirazione nel serbatoio del carburante

- Il filtro del carburante (1) della testina di aspirazione è usato per filtrare il carburante richiesto dal carburatore.
- È opportuna un'ispezione visiva periodica del filtro del carburante. Aprire il tappo del serbatoio e, con un gancio metallico, estrarre la testina di aspirazione attraverso l'apertura. Se il filtro è rigido o intasato deve essere sostituito.
- Sostituire il filtro del carburante almeno ogni trimestre per garantire un corretto afflusso di carburante al carburatore. In caso contrario, un afflusso insufficiente di carburante potrebbe impedire l'avviamento del motore e limitare la velocità massima.
- Dopo aver eseguito le operazioni di controllo, pulizia o sostituzione, fissare il filtro del carburante sul tubo del carburante con la ganascia del tubo. Spingere il filtro del carburante fino in fondo al serbatoio del carburante.



SOSTITUZIONE DEL TUBO DEL CARBURANTE

ATTENZIONE: DIVIETO DI UTILIZZO DI INFIAMMABILI

Intervallo di pulizia ed ispezione: Quotidiana (ogni 10 ore di funzionamento)

Sostituzione: Annuale (ogni 200 ore di funzionamento)

Sostituire il tubo del carburante una volta l'anno, indipendentemente dalla frequenza di utilizzo. Le perdite di carburante potrebbero dar luogo a incendi. Se durante l'ispezione vengono rilevate perdite, sostituire immediatamente il tubo del carburante.

ISPEZIONE DI BULLONI, DADI E VITI

- Serrare bulloni, dadi e viti allentati.
- Verificare che il tappo del carburante e il tappo dell'olio siano serrati. Verificare che non vi siano perdite di carburante e olio.
- Sostituire le parti danneggiate per garantire la sicurezza.

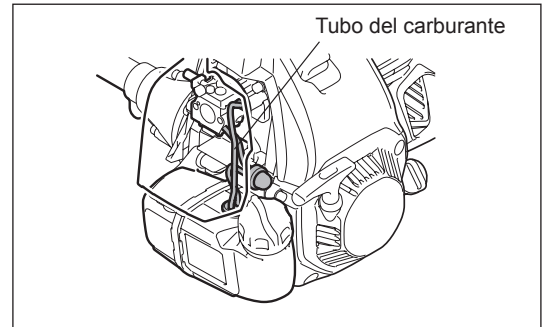
PULIZIA DEI COMPONENTI

- Tenere il motore sempre pulito strofinando verso il basso con uno straccio di stoffa.
- Rimuovere costantemente la polvere e la sporcizia dalle alette del cilindro. La polvere o la sporcizia che aderisce alle alette può causare il grippaggio del pistone.

SOSTITUZIONE DELLE GUARNIZIONI

Sostituire le guarnizioni se il motore è smontato.

Qualunque attività di manutenzione o regolazione non descritta nel presente manuale deve essere affidata ai rappresentanti autorizzati dell'assistenza.



STOCCAGGIO

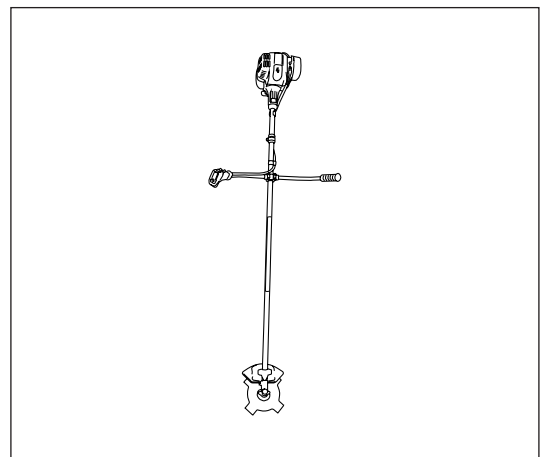


AVVERTENZA: Subito dopo l'arresto, il motore è ancora caldo. Durante lo scaricamento del carburante, attendere il tempo necessario affinché il motore si raffreddi dopo l'arresto. In caso contrario potrebbero verificarsi ustioni e/o incendi.



PERICOLO: In caso di inutilizzo prolungato, scaricare tutto il carburante dal serbatoio e dal carburatore e conservare l'utensile in un ambiente pulito e asciutto.

- Scaricare il carburante dal serbatoio e dal carburatore attenendosi alla procedura riportata di seguito:
 - 1) Rimuovere il tappo del serbatoio del carburante e scaricare completamente il carburante. Se nel serbatoio rimangono corpi estranei, rimuoverli completamente.
 - 2) Estrarre il filtro del carburante dallo sportello di rabbocco utilizzando un filo.
 - 3) Premere la pompa di adescamento fino a scaricare tutto il carburante al suo interno, quindi scaricare il carburante penetrato nel serbatoio.
 - 4) Inserire il filtro nel serbatoio del carburante e serrare il relativo tappo.
 - 5) Lasciare il motore in funzione fino all'arresto.
- Staccare la candela e lasciar cadere diverse gocce di olio motore nel foro della candela.
- Tirare delicatamente l'impugnatura di avviamento per far circolare l'olio nel motore, quindi inserire la candela.
- Fissare il coperchio alla lama in metallo.
- In generale, conservare la macchina in orizzontale o, qualora non sia possibile, posizionarla in modo che l'utensile da taglio sia al di sotto del motore. Prestare attenzione al modo in cui l'apparecchio viene riposto per evitare che lo stesso cada. In caso contrario, potrebbero verificarsi lesioni personali.
- Conservare il carburante scaricato in un contenitore speciale posto in un ambiente ben aerato.



Attenzione dopo una lunga conservazione

- Prima dell'avviamento dopo una fase di inutilizzo prolungata è opportuno sostituire l'olio (vedere pag. 100). L'olio si deteriora anche se l'utensile resta inutilizzato.

Componente	Tempo di funzionamento		Prima dell'uso	Dopo il rifornimento	Ogni giorno (10 ore)	30 ore	50 ore	200 ore	Prima dello stoccaggio	P corrispondente
Olio motore	Controllare/pulire		○							91
	Sostituire						○*1			100
Serraggio dei componenti (bullone, dado)	Ispezionare		○							102
Serbatoio del carburante	Pulire/ispezionare		○							—
	Scaricare il carburante								○*3	103
Leva dell'acceleratore	Controllare il funzionamento			○						—
Interruttore di arresto	Controllare il funzionamento			○						100
Utensile da taglio	Ispezionare		○		○					88
Velocità al minimo	Controllare/regolare				○					96
Filtro dell'aria	Pulire				○					101
Candela	Ispezionare				○					102
Passaggio dell'aria di raffreddamento e alette del cilindro	Pulire/ispezionare				○					103
Tubo del carburante	Ispezionare				○					103
	Sostituire							◎*2		—
Grasso della scatola degli ingranaggi	Rifornire					○				102
Filtro del carburante	Pulire/sostituire						○			102
Gioco valvola (valvola di aspirazione e valvola di scarico)	Controllare/regolare							◎*2		—
Carburatore	Scaricare il carburante								○*3	103

*1 Eseguire la sostituzione iniziale dopo 20 ore di funzionamento.

*2 Per l'ispezione dopo 200 ore di funzionamento rivolgersi a un rappresentante autorizzato dell'assistenza o a un'officina.

*3 Dopo aver svuotato il serbatoio del carburante, lasciare il motore in funzione e drenare il carburante nel carburatore.

RISOLUZIONE DEI PROBLEMI

Prima di richiedere una riparazione è opportuno individuare il problema autonomamente. Se viene rilevata un'anomalia, controllare l'utensile secondo la descrizione riportata nel presente manuale. Non smontare o manomettere le parti non indicate nella descrizione. Per le riparazioni rivolgersi all'agente autorizzato dell'assistenza o al rivenditore di zona.

Anomalia	Probabile causa (problema di funzionamento)	Soluzione
Il motore non si avvia	Interruttore I-O impostato su ARRESTO (STOP).	Impostare l'interruttore di accensione su FUNZIONAMENTO.
	Impossibile utilizzare la pompa di adescamento	Premere da 7 a 10 volte
	Velocità di tiraggio ridotta della corda di avviamento	Tirare con forza
	Mancanza di carburante	Rifornire di carburante
	Filtro del carburante intasato	Pulire
	Tubo del carburante rotto	Raddrizzare il tubo del carburante
	Carburante deteriorato	Il carburante deteriorato rende difficoltoso l'avviamento. Sostituire con carburante nuovo. (Sostituzione consigliata: 1 mese)
	Aspirazione eccessiva di carburante	Portare la leva dell'acceleratore dalla posizione di velocità media alla posizione di velocità alta e tirare l'impugnatura di avviamento fino ad avviare il motore. Dopo l'avviamento del motore, la lama in metallo inizia a ruotare. Prestare la massima attenzione alla lama in metallo. Se il motore ancora non si avvia, staccare la candela, asciugare l'elettrodo e rimontarli come in origine. Quindi, procedere all'avviamento come specificato.
	Tappo della candela staccato	Fissarlo saldamente
	Candela contaminata	Pulire
	Distanza anomala della candela	Regolare la distanza
	Altra anomalia della candela	Sostituire
	Carburatore anomalo	Richiedere l'ispezione e la manutenzione.
	Impossibile tirare la corda di avviamento	Richiedere l'ispezione e la manutenzione.
Il motore si arresta subito La velocità del motore non aumenta	Sistema di comando anomalo	Richiedere l'ispezione e la manutenzione.
	Riscaldamento insufficiente	Eseguire l'operazione di riscaldamento
	La leva dell'aria è nella posizione di "CHIUSURA" anche se il motore è stato riscaldato.	Portarla nella posizione di "APERTURA"
	Filtro del carburante intasato	Pulire
	Filtro dell'aria contaminato o intasato	Pulire
	Carburatore anomalo	Richiedere l'ispezione e la manutenzione.
La lama in metallo non ruota ↓ Spegnerne immediatamente il motore	Sistema di comando anomalo	Richiedere l'ispezione e la manutenzione.
	Dado di serraggio della lama in metallo allentato	Stringerlo con forza
	Ramoscelli raccolti dalla lama in metallo o dal coperchio anti-dispersione.	Rimuovere i corpi estranei
L'unità principale vibra in modo anomalo ↓ Spegnerne immediatamente il motore	Carburatore anomalo	Richiedere l'ispezione e la manutenzione.
	Lama in metallo rotta, piegata o usurata	Sostituire la lama in metallo
	Dado di serraggio della lama in metallo allentato	Stringerlo con forza
	Parte convessa della lama in metallo e del relativo raccordo di supporto in posizione non corretta.	Fissarlo saldamente
La lama in metallo non si ferma immediatamente ↓ Spegnerne immediatamente il motore	Sistema di comando anomalo	Richiedere l'ispezione e la manutenzione.
	Rotazione al minimo elevata	Effettuare la regolazione
	Filo dell'acceleratore staccato	Fissarlo saldamente
Il motore non si arresta ↓ Avviare il motore al minimo e portare la leva dell'aria nella posizione di CHIUSURA	Sistema di comando anomalo	Richiedere l'ispezione e la manutenzione.
	Connettore staccato	Fissarlo saldamente
	Impianto elettrico anomalo	Richiedere l'ispezione e la manutenzione.

Se il motore non si avvia dopo l'operazione di riscaldamento:

Se non vengono rilevate anomalie, aprire l'acceleratore di circa 1/3 e avviare il motore.

Hartelijk dank voor uw aankoop van dit gemotoriseerd tuingereedschap van MAKITA. Met trots bevelen wij u dit gereedschap van MAKITA van harte aan als resultaat van een langdurig ontwikkelingsprogramma en jarenlange kennis en ervaring.

Lees deze handleiding met daarin nauwkeurige beschrijvingen van de diverse punten die zijn hoogstaande prestaties demonstreren. Hierdoor bent u in staat de best mogelijke resultaten te behalen die het gereedschap van MAKITA u kan bieden.



Inhoud	Pagina
Symbolen.....	106
Veiligheidsinstructies	107
Technische gegevens.....	111
Namen van onderdelen	112
De handgreep monteren.....	113
De beschermkap monteren	114
Het metalen blad of de nylondraad-snijkop monteren...	116
Vóór het begin van het werk.....	117
Correct omgaan met het gereedschap.....	119
Tips voor gebruik en procedure voor stoppen	120
Het snijgarnituur slijpen	122
Onderhoudsinstructies.....	126
Opslag	129

SYMBOLLEN

Let op de volgende symbolen wanneer u de gebruiksaanwijzing leest.

	Lees de gebruiksaanwijzing en volg de waarschuwingen en veiligheidsvoorzorgsmaatregelen op!		Houd mensen en huisdieren weg van het werkgebied!
	Besteed bijzondere zorg en aandacht!		Draag een veiligheidshelm, gezichts- en gehoorbescherming!
	Verboden!		Toegestaan maximumtoerental
	Houd afstand!		Brandstof (benzine)
	Gevaar voor rondvliegende voorwerpen!		Motor handmatig starten
	Terugslag!		Noodstop
	Verboden te roken!		EHBO
	Geen open vuur!		AAN/START
	Veiligheidshandschoenen vereist!		UIT/STOP
	Draag stevige schoenen met antislipzolen. Veiligheidsschoenen met stalen neuzen worden aanbevolen!		GASKLEPVERGREDELINGSSTAND

VEILIGHEIDSINSTRUCTIES

Algemene instructies

- Lees deze gebruiksaanwijzing om u bekend te maken met de juiste manier van omgaan met het gereedschap. Gebruikers die onvoldoende geïnformeerd zijn, lopen de kans zichzelf en anderen in gevaar te brengen als gevolg van onjuist omgaan met het multifunctionele aandrijfsysteem.
- Het verdient aanbeveling het gereedschap uitsluitend uit te lenen aan mensen die bewezen hebben ervaren te zijn. Geef altijd de gebruiksaanwijzing mee.
- Onervaren gebruikers dienen de dealer te vragen om basisinstructies om zichzelf bekend te maken met het omgaan met een bosmaaier.
- Laat geen kinderen of jonge mensen die jonger zijn dan 18 jaar met het gereedschap werken. Jongeren die ouder zijn dan 16 jaar mogen echter het gereedschap gebruiken om te oefenen terwijl ze onder toezicht staan van een gekwalificeerde begeleider.
- Gebruik het gereedschap met de grootst mogelijke zorg en aandacht.
- Gebruik het gereedschap alleen als u in goede lichamelijke conditie bent. Werk altijd rustig en voorzichtig. De gebruiker is aansprakelijk ten opzichte van anderen.
- Gebruik dit gereedschap nooit na het gebruik van alcohol of drugs, of wanneer u zich moe of ziek voelt.
- Het gebruik van het gereedschap kan landelijk gereguleerd zijn.

Bedoeld gebruik van het gereedschap

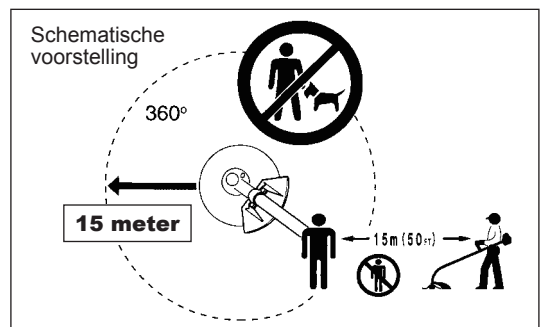
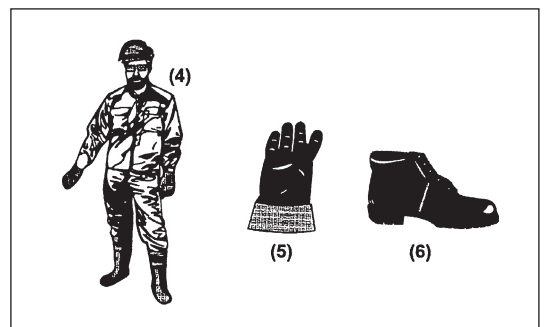
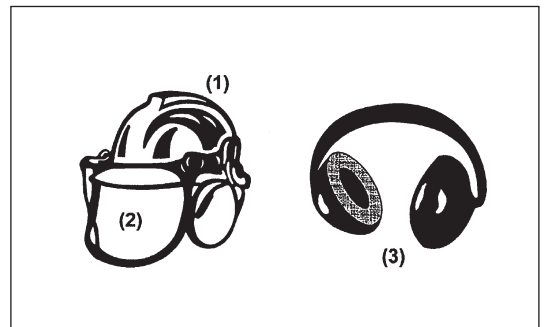
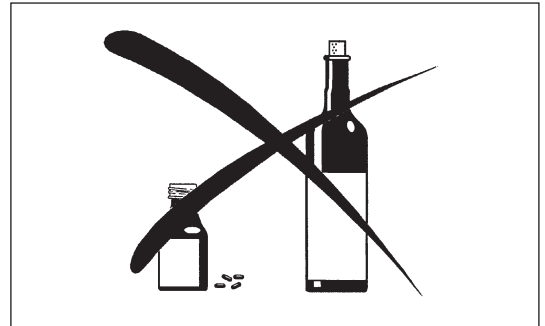
- Het gereedschap is uitsluitend bedoeld voor het maaien van gras, onkruid, struiken en ondergroei. Het mag niet worden gebruikt voor enig ander doel, zoals randen bijwerken of heggen snoeien, aangezien dit tot letsel kan leiden.

Persoonlijke-veiligheidsuitrusting

- De te dragen kleding dient functioneel en geschikt te zijn, d.w.z. nauwsluitend zonder te hinderen. Draag geen juwelen of kleding die in de struiken kunnen verstrikt raken.
- Om tijdens het gebruik letsels aan hoofd, ogen, handen of voeten te voorkomen en uw gehoor te beschermen, moeten de volgende veiligheidsuitrusting en beschermende kleding worden gebruikt terwijl u werkt.
- Draag altijd een helm wanneer het risico bestaat op vallende objecten. U moet de veiligheidshelm (1) regelmatig controleren op schade en uiterlijk na 5 jaar worden vervangen. Gebruik alleen goedgekeurde veiligheidshelmen.
- Het spatscherm (2) van de helm (of de veiligheidsbril) beschermt het gezicht tegen rondvliegend afval en opspringende stenen. Draag tijdens het gebruik altijd een veiligheidsbril of een spatscherm om letsel aan de ogen te voorkomen.
- Draag geschikte uitrusting om u te beschermen tegen het lawaai en gehoorbeschadiging te voorkomen (oorbeschermers (3), oordopjes, enz.).
- Een werkoverall (4) beschermt tegen rondvliegend afval en opspringende stenen. Wij raden u sterk aan een werkoverall te dragen.
- Handschoenen (5) maken deel uit van de voorgeschreven uitrusting en moeten altijd worden gedragen tijdens het gebruik.
- Draag tijdens gebruik van het gereedschap altijd stevige schoenen (6) met een antislipzool. Dit beschermt u tegen letsel en garandeert dat u stevig staat.

De bosmaaier starten

- Controleer of er geen kinderen of andere mensen aanwezig zijn binnen een werkbereik van 15 meter (50 feet) en let ook op of er geen dieren in de werkomgeving zijn.
- Controleer voor gebruik altijd of het gereedschap veilig is om te gebruiken. Controleer de bevestiging van het snijgereedschap, controleer of de gashendel gemakkelijk kan worden bediend, en controleer of de gashendelvergrendeling goed werkt.
- Het snijgereedschap mag niet draaien bij stationair motortoerental. Neem bij twijfel contact op met uw dealer voor afstelling. Controleer of de handgrepen schoon en droog zijn en test de werking van de stopschakelaar.

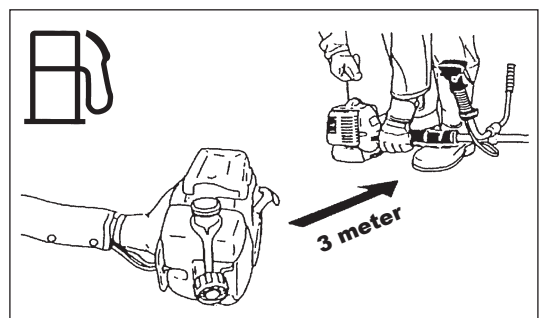
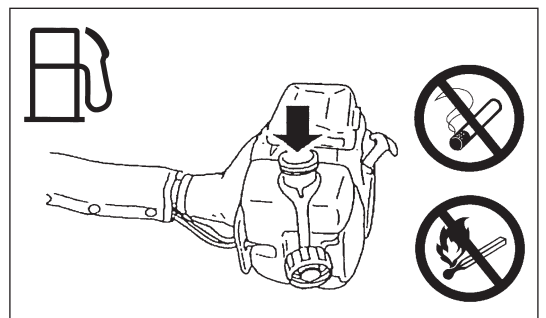
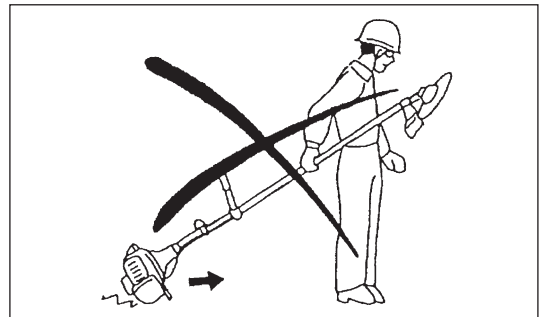
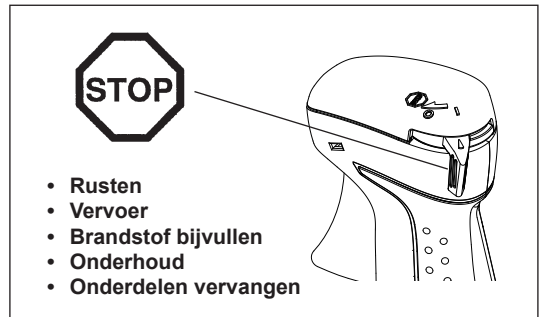
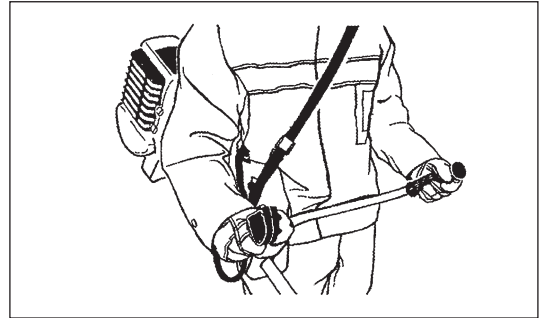
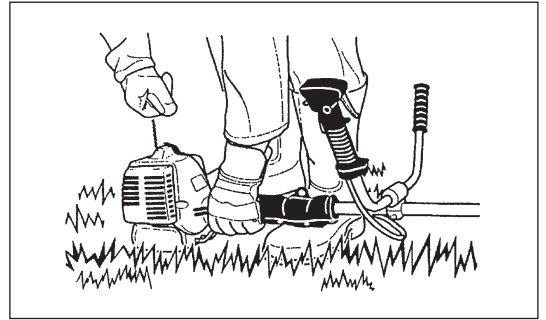


Start de bosmaaier alleen in overeenstemming met de instructies.

- Gebruik geen enkele andere methode om de motor te starten!
- Gebruik de bosmaaier en de gereedschappen uitsluitend voor de beschreven toepassingen.
- Start de motor van de benzinegraskantmaaier alleen nadat deze volledig is gemonteerd. Het gereedschap mag uitsluitend worden gebruikt nadat alle toepasselijke toebehoren zijn gemonteerd!
- Controleer vóór het starten of het snijgarnituur geen contact maakt met harde voorwerpen, zoals takken, stenen, enz., omdat tijdens het starten het snijgarnituur zal ronddraaien.
- De motor moet onmiddellijk uitgeschakeld worden in geval van enige motorstoring.
- Als het snijgarnituur stenen of andere harde voorwerpen raakt, moet u de motor onmiddellijk uitschakelen en het snijgarnituur controleren.
- Controleer het snijgarnituur regelmatig op beschadiging (inspecteren op haarscheurtjes met de klopgeluidentest).
- Nadat tegen het gereedschap is gestoten of het is gevallen, controleert u de conditie van het gereedschap voordat u de werkzaamheden hervat. Controleer het brandstofsysteem op brandstoflekkage, en de bedieningselementen en veiligheidsvoorzieningen op een juiste werking. Als enige beschadiging zichtbaar is of u twijfelt, vraagt u ons erkende servicecentrum om inspectie en reparatie.
- Gebruik het gereedschap alleen terwijl het bevestigd is aan het schouderdraagstel, dat goed moet worden afgesteld voordat de bosmaaier wordt gebruikt. Het is belangrijk het schouderdraagstel af te stellen op de lichaamsgrootte van de gebruiker om vermoeidheid tijdens gebruik te voorkomen. Houd het multifunctionele aandrijfsysteem nooit met slechts één hand vast tijdens het gebruik.
- Houd tijdens gebruik de bosmaaier altijd met twee handen vast. Zorg er altijd voor dat u stevig staat.
- Gebruik het gereedschap zo, dat u geen uitlaatgassen kunt inademen. Laat de motor nooit draaien in een gesloten vertrek (kans op gasverstikking). Koolmonoxide is een geurloos gas.
- Schakel de motor uit tijdens pauzes en wanneer u het gereedschap onbeheerd achterlaat, en leg hem op een veilige plaats om gevaar voor anderen en beschadiging van het gereedschap te voorkomen.
- Leg nooit een warme bosmaaier op droog gras of enige andere ontvlambare materialen.
- Breng altijd een goedgekeurde beschermkap van het snijgarnituur aan op het gereedschap voordat u de motor start. Als u dat niet doet, kan aanraking van het snijgarnituur leiden tot ernstig persoonlijk letsel.
- De hele veiligheidsuitrusting en alle beschermkappen die bij het gereedschap zijn geleverd, moeten tijdens het werk worden gebruikt.
- Gebruik het gereedschap nooit met een defecte uitlaatdemper.
- Schakel de motor uit tijdens het vervoer.
- Wanneer u het gereedschap vervoert, bevestigt u altijd de beschermkap op het metalen blad.
- Leg tijdens vervoer per auto het gereedschap op een veilige plaats om te voorkomen dat er brandstof uit lekt.
- Wanneer u het gereedschap vervoert, moet u ervoor zorgen dat de brandstoftank volledig leeg is.
- Let erop dat bij het uitladen van het gereedschap uit de auto de motor niet op de grond valt omdat hierdoor de brandstoftank ernstig kan worden beschadigd.
- Behalve in noodgevallen mag u het gereedschap nooit op de grond laten vallen of weggooien omdat hierdoor het gereedschap zwaar beschadigd kan raken.
- Let erop dat u het volledige gereedschap van de grond tilt wanneer u het verplaatst. Het is bijzonder gevaarlijk de brandstoftank over de grond te slepen en dit zal beschadiging en lekkage veroorzaken die kan leiden tot brand.

Brandstof bijvullen

- Schakel de motor uit alvorens brandstof bij te vullen, blijf uit de buurt van open vuur en rook niet.
- Vermijd huidcontact met minerale-olieproducten. Adem de brandstofdampen niet in. Draag altijd veiligheidshandschoenen tijdens het bijvullen van de brandstof. Zorg dat u de beschermende kleding regelmatig vervangt en reinigt.
- Wees voorzichtig geen brandstof of olie te morsen om bodemverontreiniging te voorkomen (milieubescherming). Reinig de bosmaaier onmiddellijk nadat brandstof erop is gemorst.
- Vermijd dat brandstof in aanraking komt met uw kleding. Kleed u onmiddellijk om als brandstof op uw kleding is gemorst (om te voorkomen dat de kleding vlam vat).
- Inspecteer de brandstofvuldop regelmatig om zeker te zijn dat de dop stevig kan worden aangedraaid en niet lekt.
- Draai de brandstofvuldop stevig vast. Verplaats het gereedschap voordat u de motor start (tenminste 3 meters afstand tot de plaats waar brandstof is bijgevuld.)
- Vul nooit brandstof bij in een gesloten vertrek. Brandstofdampen verzamelen zich vlak boven de vloer (risico van explosie.)
- Vervoer en bewaar brandstof alleen in goedgekeurde tanks. Zorg dat de opgeslagen brandstof niet toegankelijk is voor kinderen.



Gebruiksmethode

- Gebruik het gereedschap alleen bij goed licht en zicht. Wees in de winter bedacht op gladde of natte plaatsen, ijs en sneeuw (gevaar voor uitglijden). Zorg er altijd voor dat u stevig staat.
- Maai nooit boven heuphoogte.
- Werk nooit vanaf een ladder.
- Klim nooit in een boom om daar met het gereedschap te werken.
- Werk nooit op onstabiele oppervlakken.
- Verwijder zand, stenen, nagels, enz. die u binnen uw werkbereik vindt. Vreemde voorwerpen kunnen het snijgarnituur beschadigen en gevaarlijke terugslagen veroorzaken.
- Voordat u begint te maaien, moet het snijgarnituur op maximaal toerental draaien.
- Bij gebruik van een metalen blad, zwaait u het gereedschap gelijkmatig in halve cirkels van rechts naar links, zoals een zeis wordt gebruikt. Als gras of takken bekneld raken tussen het snijgarnituur en de beschermkap, zet u altijd de motor uit voordat u ze verwijdert. Als u dat toch doet, kan door onbedoeld draaien van het snijblad ernstig letsel ontstaan.
- Neem een pauze om te voorkomen dat u door vermoeidheid de controle over het gereedschap verliest. Wij adviseren u ieder uur 10 tot 20 minuten te rusten.

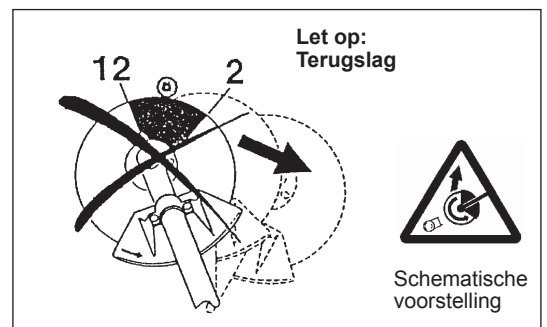


Snijgarnituren

- Gebruik een geschikt snijgarnituur voor de geplande werkzaamheden. Nylondraad-snijkoppen (voor graskantmaaiers) zijn geschikt voor het maaien van een gazon. Metalen bladen zijn geschikt voor het maaien van onkruid, hoog gras, struiken, heesters, ondergroei, bosjes en dergelijke. Gebruik nooit andere messenbladen, waaronder metalen meerdelige kettingen en vlegelmessen. Als u dat toch doet, kan ernstig letsel ontstaan.
- Bij gebruik van een metalen blad voorkomt u dat terugslag kan optreden en bent u altijd voorbereid op per ongeluk optredende terugslag. Raadpleeg de hoofdstukken "Terugslag" en "Voorkomen van terugslag".

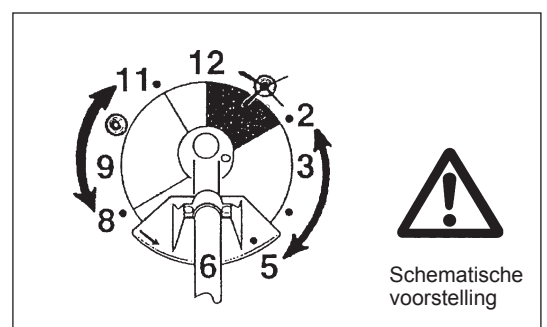
Terugslag (stoot van het snijblad)

- Terugslag (stoot van het snijblad) is een plotselinge reactie op een klemzittend of vastgelopen metalen blad. Zodra dit optreedt wordt het gereedschap met grote kracht zijwaarts of in de richting van de gebruiker geworpen en kan het ernstig letsel veroorzaken.
- Terugslag treedt met name op wanneer u met het snijbladsegment tussen 12 en 2 uur tegen een hard voorwerp, struiken en takken met een diameter van 3 cm of meer komt.
- Om terugslag te voorkomen:
 - gebruikt u het snijbladsegment tussen 8 en 11 uur;
 - gebruikt u het snijbladsegment nooit tussen 12 en 2 uur;
 - gebruikt u het snijbladsegment nooit tussen 11 en 12 uur en tussen 2 en 5 uur, behalve indien de gebruiker goed opgeleid en erg ervaren is en dit op zijn/haar eigen verantwoordelijkheid doet;
 - gebruik het metalen blad nooit dichtbij harde voorwerpen, zoals afrasteringen, muren, boomstammen en stenen, en
 - houd het metalen blad nooit verticaal voor werkzaamheden zoals het maaien van graskanten of snoeien van heggen.



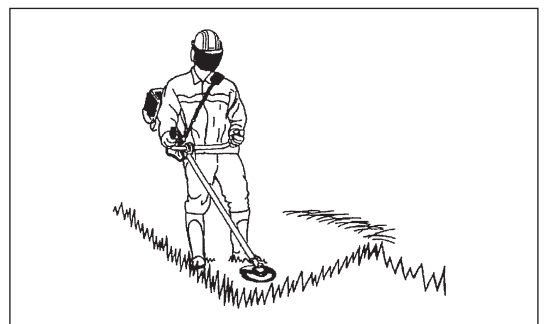
Trillingen

- Personen met een slechte bloedsomloop die worden blootgesteld aan sterke trillingen, kunnen verwondingen aan bloedvaten of het zenuwstelsel oplopen. Trillingen kunnen de volgende symptomen veroorzaken in de vingers, handen of polsen: "slapen" (ongevoeligheid), tintelingen, pijn, stekend gevoel, veranderen van huidskleur of van de huid. Als een van deze symptomen zich voordoet, raadpleegt u uw huisarts!
- Om de kans op deze "witte-vingerziekte" te verkleinen, houdt u uw handen warm tijdens het werk en onderhoudt u het gereedschap en de accessoires goed.



Onderhoudsinstructies

- Laat uw gereedschap onderhouden door ons erkende servicecentrum dat altijd uitsluitend gebruikmaakt van originele vervangingsonderdelen. Onjuiste reparatie en slecht onderhoud kan de levensduur van het gereedschap verkorten en de kans op ongevallen vergroten.
- De toestand van de maaier, met name van het snijgarnituur en de veiligheidsuitrusting, naast het schouderdraagstel, moeten worden gecontroleerd voor aanvang van de werkzaamheden. Besteed bijzondere aandacht aan de metalen bladen die correct moeten worden geslepen.
- Schakel de motor uit en trek de bougiekap eraf wanneer u het snijgarnituur vervangt of slijpt, en wanneer u de maaier of het snijgarnituur schoonmaakt.



Probeer nooit beschadigde snij- of zaagmunitie recht te trekken of te lassen.

- Denk aan het milieu. Vermijd onnodig gebruik van de gashendel zodat minder uitlaatgassen en geluid worden geproduceerd. Stel de carburateur goed af.
- Maak het gereedschap regelmatig schoon en controleer of alle bouten en moeren stevig zijn vastgedraaid.
- Onderhoud of bewaar het gereedschap niet in de buurt van open vuur.
- Bewaar het gereedschap altijd in een afgesloten ruimte en met een lege brandstoftank.
- Wanneer u het gereedschap reinigt, onderhoudt of opbergt, bevestigt u altijd de beschermkap op het metalen blad.



Volg de relevante instructies voor het voorkomen van ongevallen die door de relevante beroepsverenigingen en verzekeringsmaatschappijen zijn uitgegeven.

Breng geen wijzigingen aan het gereedschap aan, omdat hiermee uw veiligheid gevaar loopt.

Het uitvoeren van onderhoud of reparaties door de gebruiker is beperkt tot de activiteiten die in de gebruiksaanwijzing zijn beschreven. Alle andere werkzaamheden moet worden uitgevoerd door een erkend servicecentrum. Gebruik uitsluitend originele vervangingsonderdelen en accessoires die zijn vervaardigd en geleverd door MAKITA.

Het gebruik van niet-goedgekeurde accessoires en gereedschappen leidt tot een verhoogde kans op ongevallen.

MAKITA aanvaardt geen enkele aansprakelijkheid voor ongevallen of schade veroorzaakt door het gebruik van niet-goedgekeurde snijmunitie, bevestigingsmiddelen voor snijmunitie of accessoires.

EHBO

Zorg dat er altijd een EHBO-does beschikbaar is in de buurt waar er wordt gemaaid om eerste hulp te bieden bij eventuele ongevallen. Vervang onmiddellijk elk item dat uit de EHBO-does is genomen.

Geef de volgende informatie wanneer u hulp inroept:

- Plaats van het ongeval
- Beschrijving van het ongeval
- Aantal gewonden
- Soort letsels
- Uw naam



Alleen voor Europese landen

EU-verklaring van conformiteit

Wij, Makita Corporation, als de verantwoordelijke fabrikant, verklaren dat de volgende Makita-machine(s):

Aanduiding van de machine: Benzinebosmaaier

Modelnr./Type: EM4351UH, EM4350UH en EM4350LH

Technische gegevens: zie de tabel "TECHNISCHE GEGEVENS"

in serie zijn geproduceerd en

Voldoen aan de volgende Europese richtlijnen:

2000/14/EC en 2006/42/EC

En zijn gefabriceerd in overeenstemming met de volgende normen of genormaliseerd documenten:

EN ISO 11806-1

De technische documentatie wordt bewaard door onze erkende vertegenwoordiger in Europa, te weten:

Makita International Europe Ltd.,

Michigan Drive, Tongwell, Milton Keynes, Bucks MK15 8JD, Engeland

De conformiteitsbeoordelingsprocedure vereist door Richtlijn 2000/14/EC was in Overeenstemming met annex V.

EM4351UH:

Gemeten geluidsvermogeniveau: 111,9 dB

Gegarandeerd geluidsvermogeniveau: 113 dB

EM4350UH:

Gemeten geluidsvermogeniveau: 112,1 dB

Gegarandeerd geluidsvermogeniveau: 113 dB

EM4350LH:

Gemeten geluidsvermogeniveau: 110,7 dB

Gegarandeerd geluidsvermogeniveau: 112 dB

8. 9. 2011



Tomoyasu Kato
Directeur

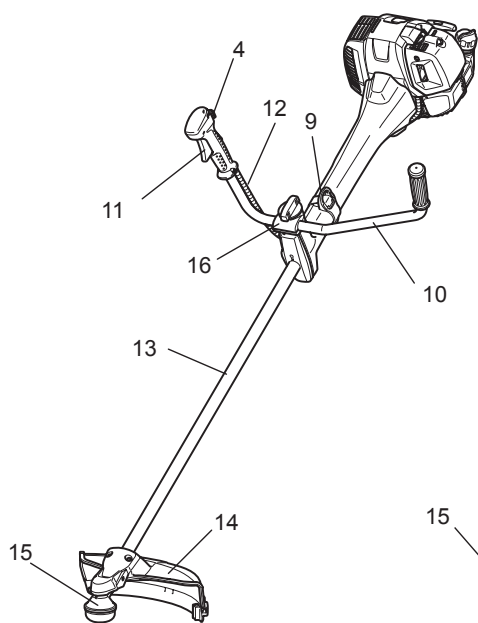
Makita Corporation
3-11-8, Sumiyoshi-cho,
Anjo, Aichi, JAPAN

TECHNISCHE GEGEVENS EM4351UH, EM4350UH, EM4350LH

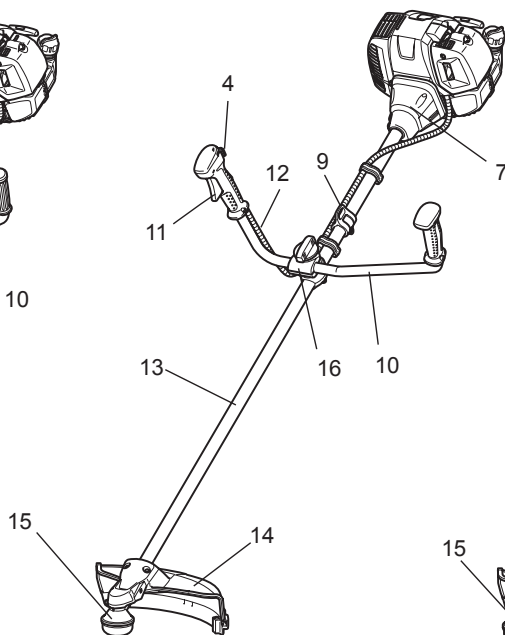
Model			EM4351UH		EM4350UH		EM4350LH		
Type handgreep			Fietsstuurhandgreep		Fietsstuurhandgreep		Beugelhandgreep		
Afmetingen: lengte x breedte x hoogte (zonder snijgarnituur)		mm	1.812 x 618 x 528		1.812 x 635 x 460		1.812 x 339 x 250		
Gewicht (zonder kunststofbeschermer en snijgarnituur)		kg	8,6		8,3		7,9		
Volume (brandstoftank)		l			0,6				
Volume (olietank)		l			0,1				
Cilinderinhoud		cm ³			43,0				
Maximaal motorvermogen		kW			1,5 bij 7.500 min ⁻¹				
Motortoerental bij aanbevolen max. astoerental		min ⁻¹			10.500				
Maximaal astoerental (bijbehorend)		min ⁻¹			7.200				
Stationair toerental		min ⁻¹			3.000				
Toerental op aangrijppunt van koppeling		min ⁻¹			4.000				
Carburateur			Membraantype						
Ontstekingsstelsel			Contactloos, magneettipe						
Bougie		type	NGK CMR6A						
Elektrodenafstand		mm	0,7 - 0,8						
			SNIJBLAD	NYLONDRAAD- SNIJKOP	SNIJBLAD	NYLONDRAAD- SNIJKOP	SNIJBLAD	NYLONDRAAD- SNIJKOP	
Trillingen volgens ISO 22867	Rechterhandgreep (Achterste handvat)	$a_{hv\ eq}$	m/s ²	2,2	2,1	3,1	3,5	4,2	2,6
		Onzekerheid (K)	m/s ²	0,5	0,6	0,5	0,8	1,1	0,7
	Linkerhandgreep (Voorste handvat)	$a_{hv\ eq}$	m/s ²	1,7	2,0	4,8	4,0	3,8	3,7
		Onzekerheid (K)	m/s ²	0,5	0,5	2,9	0,9	1,0	1,4
Gemiddeld geluidsdrukkniveau volgens ISO 22868		$L_{PA\ eq}$	dB (A)	92,4	96,2	91,2	96,1	92,8	94,9
		Onzekerheid (K)	dB (A)	1,8	2,0	2,2	1,6	1,6	2,1
Gemiddeld geluidsvermogenkniveau volgens ISO 22868		$L_{WA\ eq}$	dB (A)	101,8	108,9	103,1	109,1	103,4	107,7
		Onzekerheid (K)	dB (A)	1,8	1,4	1,1	1,1	1,5	1,2
Brandstof			Benzine voor auto's						
Motorolie			Olie van API-classificatie SF-klasse of beter, of olie SAE 10W-30 (4-taktmotorolie voor auto's)						
Snijgarnituren (diameter snijblad)		mm	305 (met drie messen)						
Overbrengingsverhouding van tandwielen			13/19						

NAMEN VAN ONDERDELEN

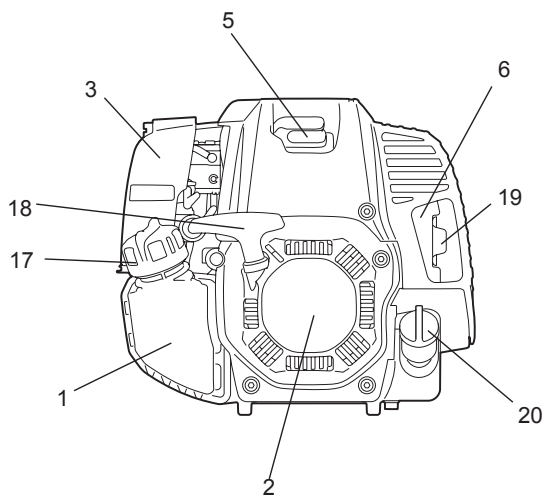
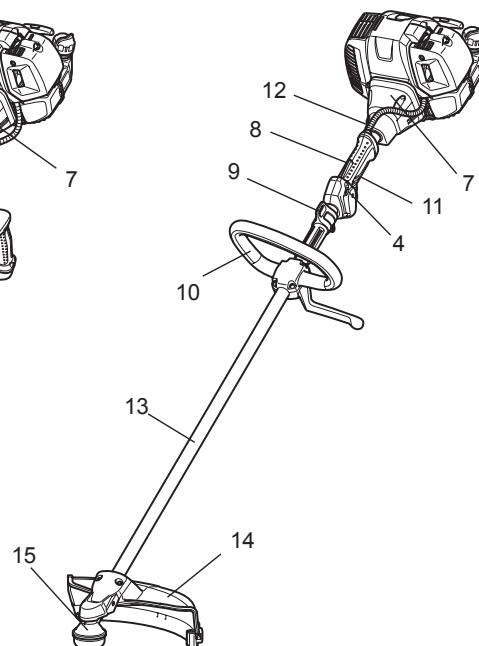
EM4351UH



EM4350UH



EM4350LH



NL	NAMEN VAN ONDERDELEN
1	Brandstoftank
2	Trekstartinrichting
3	Luchtfilter
4	I-O- en gasklepvergrendelingsschakelaar (stop - bedrijf)
5	Bougie
6	Uitlaatdemper
7	Koppelingshuis
8	Achterste handvat
9	Bevestigingssoog
10	Handgreep
11	Gashendel
12	Gaskabel
13	Schacht
14	Beschermkap (beschermkap van snijgarnituur)
15	Tandwielhuis
16	Handgreepbevestiging
17	Brandstofvuldop
18	Trekstarthandgreep
19	Uitlaatpijp
20	Olievuldop

DE HANDGRIEP MONTEREN

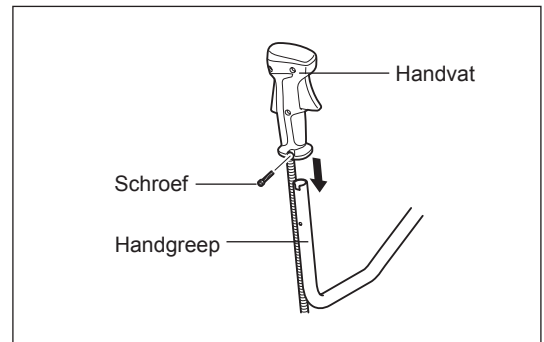
LET OP: Voordat u werkzaamheden uitvoert aan het gereedschap, moet u altijd de motor uitzetten en de bougiekap van de bougie aftrekken.

Draag altijd veiligheidshandschoenen!

LET OP: Start de motor alleen nadat hij volledig is gemonteerd.

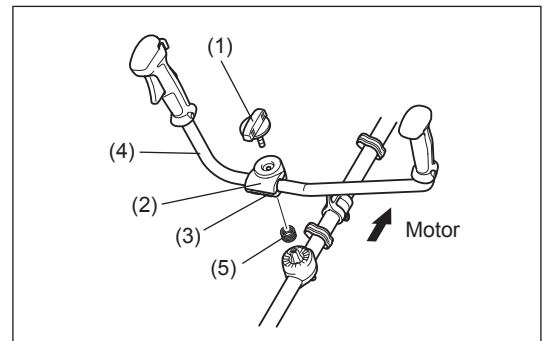
Voor model EM4351UH en EM4350UH

Schuif het handvat over het uiteinde van de handgreep, zoals afgebeeld.
Lijn het schroefgat in het handvat uit met het schroefgat in de handgreep.
Draai de schroef stevig aan.



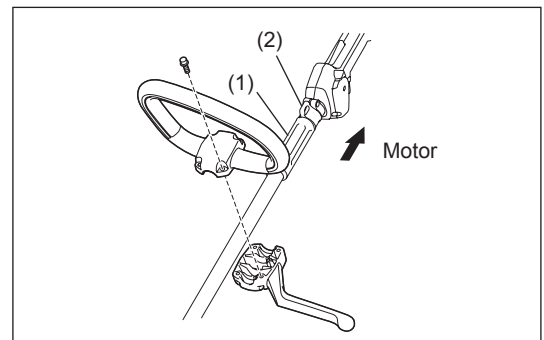
- Draai knop (1) los.
- Plaats de handgreep (4) tussen de handgreepklem (2) en de handgreephouder (3).
- Stel de handgreep (4) af onder een hoek die u een comfortabele werkhouding biedt en zet deze daarna vast door de knop (1) met de hand vast te draaien.

LET OP: Vergeet niet om de veer (5) te plaatsen.



Voor model EM4350LH

- Bevestig de beugelhandgreep aan de schacht met vier schroeven.
- Om de juiste afstand te bewaren tussen de handgrepen, plaats u het afstandsstuk (1) tussen de beugelhandgreep en het bevestigingssoog (2).



DE BESCHERMKAP MONTEREN

In naleving van de toepasselijke veiligheidsregels mogen uitsluitend de gereedschap/beschermkap-combinaties worden gebruikt die in de afbeelding worden aangegeven.

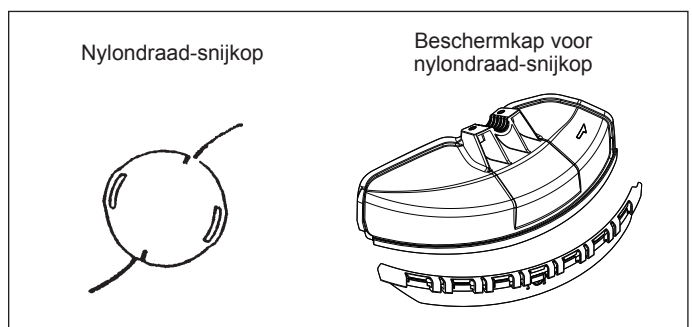
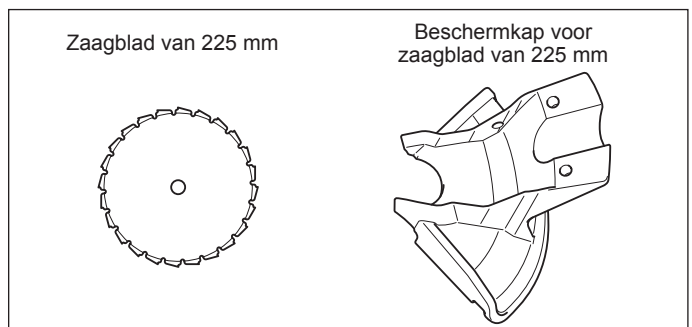
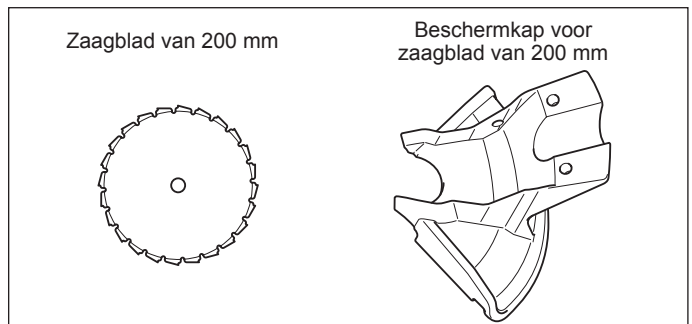
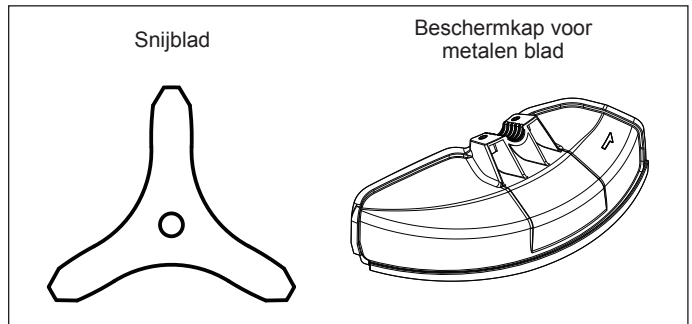


Verzeker u ervan uitsluitend originele metalen bladen (waaronder zaagbladen en snijbladen) of nylondraad-snijkoppen van MAKITA te gebruiken.

- Het metalen blad moet goed geslepen zijn en vrij zijn van barsten of breuken. Als het metalen blad tijdens het gebruik een steen raakt, moet u de motor onmiddellijk uitschakelen en het blad controleren.
- Slijp of vervang het metalen blad na elke drie uur gebruik.
- Als de nylondraad-snijkop een steen raakt tijdens het gebruik, moet u de motor onmiddellijk uitzetten en de nylondraad-snijkop controleren.

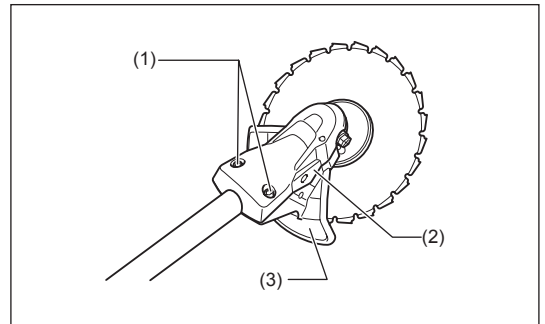
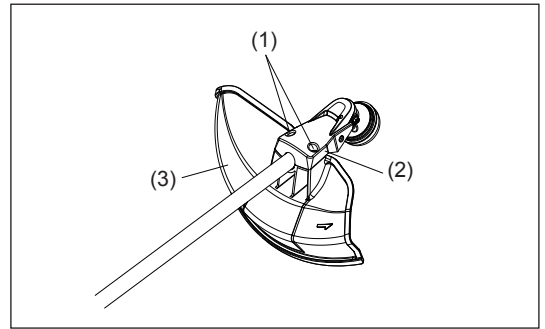
LET OP: Voor uw veiligheid en om te voldoen aan de voorschriften voor ongevallenpreventie, moet u altijd de geschikte beschermkap installeren. Het is verboden het gereedschap te gebruiken zonder dat de beschermkap is gemonteerd. De buitendiameter van het snijblad moet 300 mm (12") of kleiner zijn. Gebruik nooit een snijblad met een buitendiameter groter dan 300 mm (12"). Gebruik alleen een zaagbladbeschermkap van 200 mm wanneer u een zaagblad van 200 mm gebruikt. Gebruik alleen een zaagbladbeschermkap van 225 mm wanneer u een zaagblad van 225 mm gebruikt. Gebruik geen andere combinatie wanneer u een zaagblad gebruikt.

OPMERKING: De standaardcombinatie van het snijgarnituur verschilt van land tot land.



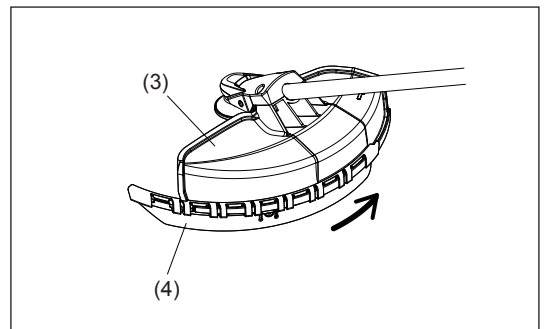
- Bij gebruik van het metalen blad, monteer de beschermkap (3) met behulp van de twee bouten (1) op de klem (2).

OPMERKING: Draai de linker- en rechterbout gelijkmatig vast zodat de opening tussen de klem (2) en de beschermkap (3) evenwijdig blijft. Als u dit niet doet, is het mogelijk dat de beschermkap niet werkt zoals bedoeld.

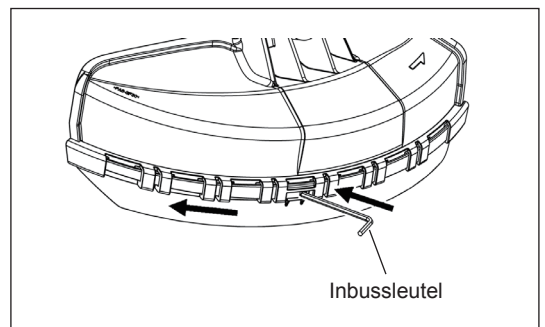


- In het geval de nylondraad-snijkop wordt gebruikt, moet u de beschermkap van de nylondraad-maaikop (4) monteren op de beschermkap van het metalen blad (3).
- Monteer de beschermkap van de nylondraad-maaikop (4) door deze op zijn plaats te schuiven vanaf de zijkant van de beschermkap van het metalen blad (3), zoals afgebeeld.
- Haal de tape af van het mesje voor het afsnijden van de nylondraad op de beschermkap van de nylondraad-maaikop (4).

LET OP: Duw de beschermkap van de nylondraad-maaikop (4) erop tot deze geheel op zijn plaats zit. Wees voorzichtig uzelf niet te verwonden aan het mesje voor het afsnijden van de nylondraad.



- Om de beschermkap van de nylondraad-maaikop (4) te verwijderen, plaatst u een inbussleutel op de nok van de beschermkap van het metalen blad (3), duwt u deze naar binnen en verschuift u tegelijkertijd de beschermkap van de nylondraad-maaikop (4).



HET METALEN BLAD OF DE NYLONDRAAD-SNIJKOP MONTEREN

Verzekeer u ervan uitsluitend originele metalen bladen of nylondraad-snijdkoppen van MAKITA te gebruiken.

- Het metalen blad moet goed geslepen zijn en vrij zijn van barsten of breuken. Als het metalen blad tijdens het gebruik een steen raakt, moet u de motor onmiddellijk uitschakelen en het blad controleren.
- Slijp of vervang het metalen blad na elke drie uur gebruik.
- Als de nylondraad-snijdkop een steen raakt tijdens het gebruik, moet u de motor onmiddellijk uitzetten en de nylondraad-snijdkop controleren.

LET OP: Voor uw veiligheid en om te voldoen aan de voorschriften voor ongevallenpreventie, moet u altijd de geschikte beschermkap installeren.

Het is verboden het gereedschap te gebruiken zonder dat de beschermkap is gemonteerd.

De buitendiameter van het snijblad moet 300 mm (12") of kleiner zijn. Gebruik nooit een snijblad met een buitendiameter groter dan 300 mm (12").

Draai het gereedschap ondersteboven zodat u het metalen blad of de nylondraad-snijdkop gemakkelijk kunt vervangen.

- Steek de inbussleutel in de opening van het tandwielhuis en draai de ontvangerring (4) met de inbussleutel tot deze vergrendeld wordt.
- Maak de moer (1) (met linksdraaiend schroefdraad) los met de dopsleutel en verwijder de moer (1), de beker (2) en de klemring (3).

Het metalen blad monteren terwijl de inbussleutel er nog in zit

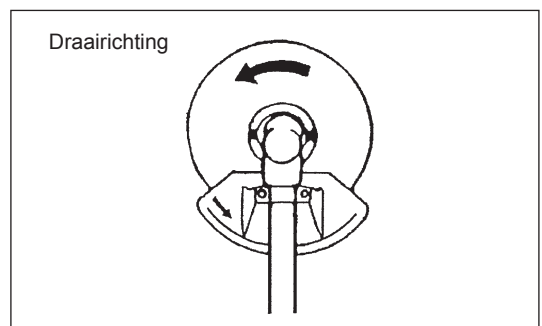
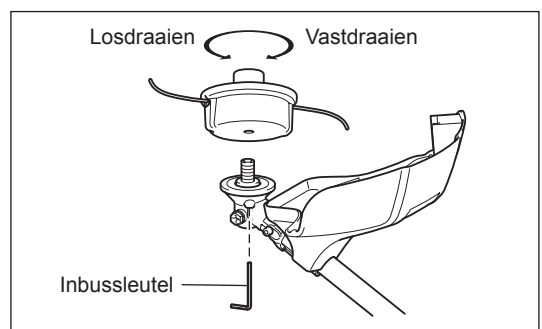
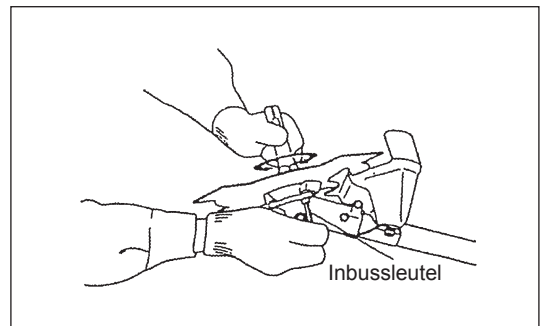
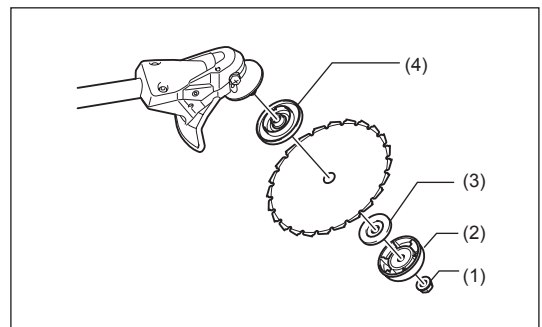
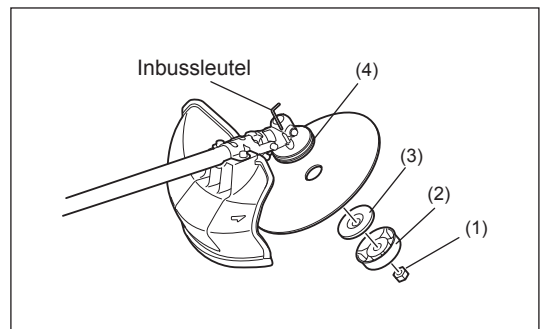
- Monteer het metalen blad op de as zodat de nok op de ontvangerring (4) past in de uitsparing in het asgat van het metalen blad. Monteer de klemring (3), beker (2) en zet het metalen blad vast met de moer (1).
[Aanhaalkoppel: 20 - 30 Nm]

OPMERKING: Draag altijd veiligheidshandschoenen wanneer u het metalen blad hanteert.

OPMERKING: De bevestigingsmoer van het metalen blad (met veering) is een verbruiksartikel. Als u slijtage of vervorming van de veering opmerkt, moet u de moer vervangen.

De nylondraad-snijdkop monteren

- De klemring (3), de beker (2) en de moer (1) zijn niet nodig voor het monteren van de nylondraad-snijdkop. De nylondraad-snijdkop moet bovenop de ontvangerring (4) komen.
- Steek de inbussleutel in de opening van het tandwielhuis en draai de ontvangerring (4) met de inbussleutel tot deze vergrendeld wordt.
- Schroef daarna de nylondraad-snijdkop op de as door deze linksom te draaien.
- Haal de inbussleutel eruit.



VÓÓR HET BEGIN VAN HET WERK

Controleren en bijvullen van de motorolie

- Voer de volgende procedure uit bij koude motor.
- Zorg ervoor dat de motor op een vlakke, horizontale ondergrond staat en controleer of het oliepeil tussen de boven- en ondergrens staat.
- Als het oliepeil onder de ondergrens staat, verwijdert u de olievuldop en vult u olie bij.
- Het gebied tussen de markeringen op de buitenkant is doorzichtig zodat het oliepeil van buitenaf kan worden gecontroleerd zonder de olievuldop eraf te hoeven draaien. Echter, wanneer de oliebuis erg vuil is geworden, kan deze ondoorzichtig zijn en moet het oliepeil worden gecontroleerd aan de hand van de inwendige randen binnenin de oliebuis.
- Het kan nodig zijn olie bij te vullen na iedere 10 bedrijfsuren (na iedere 10 keer brandstof bijvullen).
Als de olie door vuil van kleur is veranderd, ververs u de vuile olie door nieuwe. (Raadpleeg pagina 126 voor informatie over het verversingsinterval en de verversingsprocedure.)

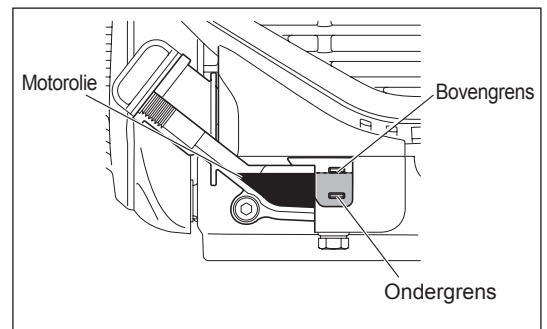
Aanbevolen olie: SAE 10W-30 olie van API-classificatie, SF-klasse of beter (4-taktmotorolie voor auto's)

Hoeveelheid olie: Ongeveer 0,10 liter

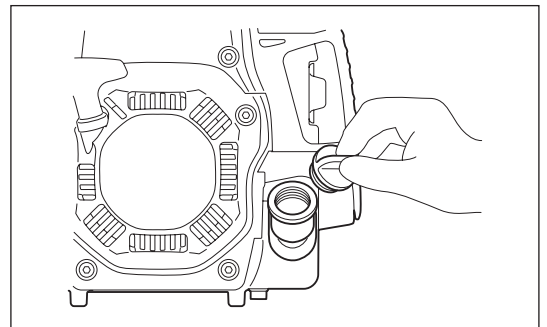
OPMERKING: Als de motor niet op een horizontale ondergrond is geplaatst, zoals afgebeeld, kan het oliepeil onnauwkeurig worden aangegeven en kan te veel olie worden bijgevoerd. Als olie wordt bijgevoerd boven de bovengrens, kan olieverontreiniging en/of witte rook worden veroorzaakt.

Olieverversen: "Olievuldop"

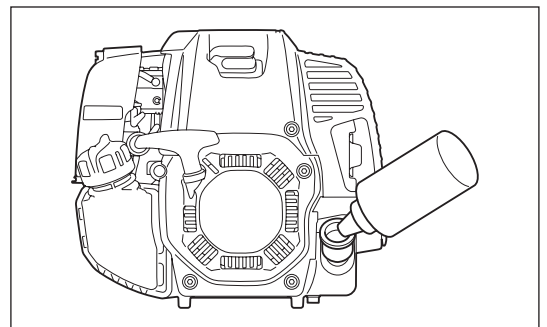
- Verwijder stof of vuil rondom de olieulopening en draai de olievuldop eraf.
- Zorg ervoor dat geen zand of stof op de olievuldop komt. Als dit toch gebeurt, kan het zand of stof dat aan de olievuldop kleeft leiden tot een onregelmatige oliecirculatie of slijtage van de motoronderdelen, waardoor storingen kunnen ontstaan.



(1) Houd de motor horizontaal en draai de olievuldop eraf.



(2) Vul motorolie bij tot aan de bovengrens.
Gebruik voor het bijvullen een oliefles.



(3) Draai de olievuldop stevig vast. Bij onvoldoende vastdraaien kan olie eruit lekken.

Opmerking

- Ververs de olie niet met de motor in een gekantelde positie.
- Als olie wordt bijgevuld terwijl de motor is gekanteld, kan te veel olie worden bijgevuld waardoor verontreiniging en/of witte rook wordt veroorzaakt.

Na het bijvullen van olie

- Veeg gemorste olie onmiddellijk af met een poetsdoek.

BRANDSTOF BIJVULLEN

Omgaan met brandstof

Het is noodzakelijk uiterst voorzichtig om te gaan met brandstof. Brandstof kan stoffen bevatten die ook in oplosmiddelen voorkomen. Het bijvullen van brandstof moet gebeuren in een vertrek met een voldoende goede ventilatie of in de open lucht. Adem nooit brandstofdampen in en houd afstand tot de brandstof. Als uw huid herhaaldelijk in aanraking komt met brandstof gedurende een lange tijd, wordt uw huid droog, waardoor een huidziekte of allergie kan ontstaan. Als brandstof in uw oog komt, spoelt u uw oog uit met schoon water. Als uw oog daarna blijft irriteren, raadpleegt u een dokter.

Bewaartermijn van brandstof

Brandstof dient binnen een periode van 4 weken te worden gebruikt, ook wanneer de brandstof wordt bewaard in een speciale jerrycan op een goed geventileerde en schaduwrijke plaats.

Anders kan de brandstof binnen één dag verslechteren.

OPSLAG VAN MAAIER EN JERRYCAN

- Bewaar het gereedschap en de jerrycan op een koele plaats uit direct zonlicht.
- Bewaar brandstof nooit in een auto.

Brandstof

De motor is een viertaktmotor. Gebruik uitsluitend loodvrije benzine voor auto's met een octaangehalte van 87 of hoger ((R+M)/2). De benzine mag niet meer dan 10% alcohol bevatten (E-10).

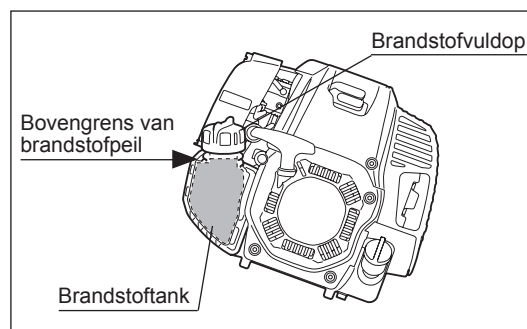
Tips voor het omgaan met brandstof

- Gebruik nooit mengsmering, waarin motorolie zit. Als u dat doet, zal buitensporige koolafzetting of mechanische storing optreden.
- Als verslechterde olie wordt gebruikt, zal dat leiden tot onregelmatig starten.

Brandstof bijvullen

WAARSCHUWING: Schakel de motor uit alvorens brandstof bij te vullen, blijf uit de buurt van open vuur en rook niet.

- Draai de brandstofvuldop een klein stukje los en de druk in de brandstoftank af te laten.
 - Draai de brandstofvuldop eraf, vul brandstof bij en laat de lucht uit de brandstoftank stromen door de brandstoftank iets te kantelen zodat de brandstofvulopening recht omhoog wijst. NIET bijvullen tot in de vulopening van de brandstoftank.
 - Veeg de buitenkant van de brandstofvuldop goed schoon om te voorkomen dat vuil in de brandstoftank terecht komt.
 - Na het bijvullen van brandstof draait u de brandstofvuldop weer vast.
- Als enige onvolkomenheid of schade aan de brandstofvuldop wordt geconstateerd, moet deze worden vervangen.
 - De brandstofvuldop is na verloop van tijd versleten. Vervang de brandstofvuldop iedere twee of drie jaar.
 - GEEN brandstof bijvullen in de olievlopening.



CORRECT OMGAAN MET HET GEREEDSCHAP

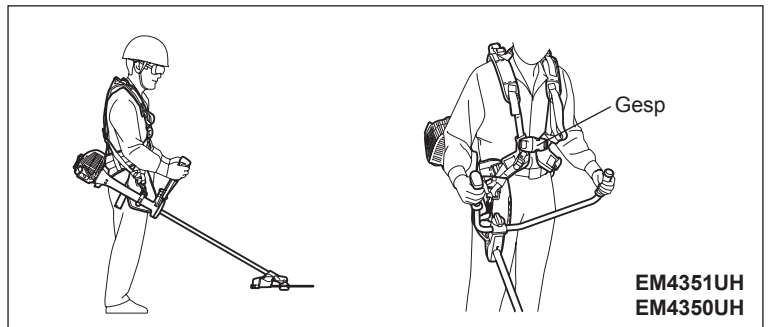
Het schouderdraagstel bevestigen

- Pas de lengte van de schouderriem zo aan, dat het metalen blad parallel aan de grond kan worden gehouden.

Voor EM4351UH en EM4350UH

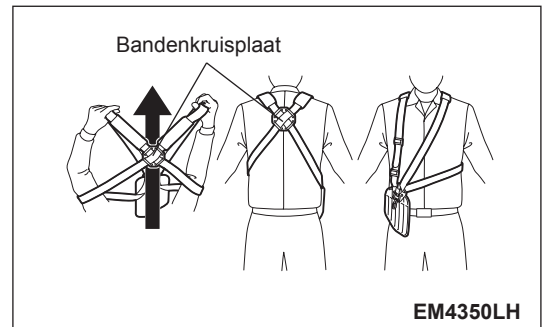
Houd het schouderdraagstel op uw rug, bevestig hem met de gesp en stel de lengte van de banden af.

OPMERKING: Wees voorzichtig dat kleding, enz., niet verstrikt raakt in de gesp.



Voor EM4350LH

- 1) Houd het schouderdraagstel boven uw hoofd met de bandenkruisplaat naar achteren gericht. Laat vervolgens het schouderdraagstel over uw armen en hoofd zakken.
- 2) Wanneer het schouderdraagstel correct is aangetrokken zit de bandenkruisplaat op uw rug en zitten de verstellers en haak aan de rechterkant van uw lichaam.



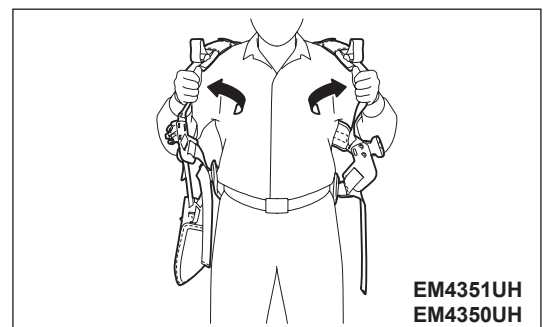
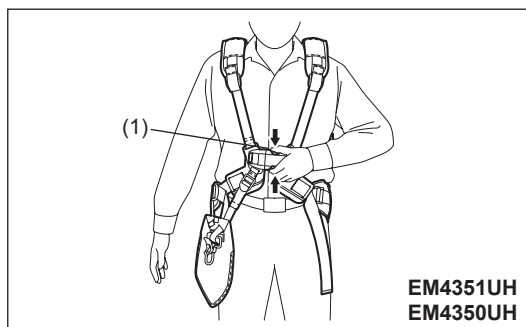
Het gereedschap loskoppelen

Voor EM4351UH en EM4350UH

- Om het gereedschap los te koppelen, knijpt u de zijanten van de gesp (1) in en trekt u het schouderdraagstel uit.

Let er goed op dat u op dat moment de controle over het gereedschap behoudt. Zorg ervoor dat het gereedschap zich niet in uw richting of in de richting van iemand die in de buurt staat beweegt.

WAARSCHUWING: Als u geen complete controle over het gereedschap behoudt, kan dit ernstige lichamelijk letsels of de DOOD veroorzaken.

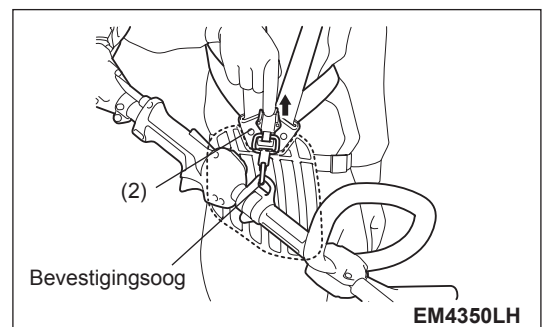


Voor EM4350LH

- Om het gereedschap los te koppelen, trekt u met uw vingers hard aan de noodhendel (2).

Let er goed op dat u op dat moment de controle over het gereedschap behoudt. Zorg ervoor dat het gereedschap zich niet in uw richting of in de richting van iemand die in de buurt staat beweegt.

WAARSCHUWING: Als u geen complete controle over het gereedschap behoudt, kan dit ernstige lichamelijk letsels of de DOOD veroorzaken.



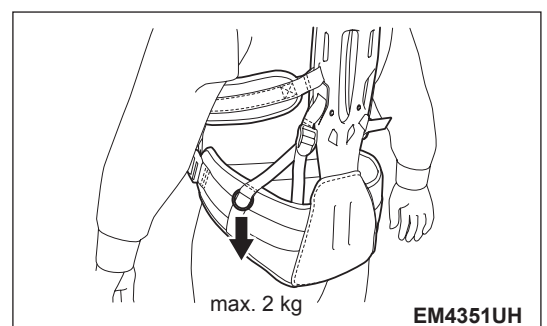
Bevestigingssoog

Voor EM4351UH

- U kunt het bevestigingssoog gebruiken om er een voorwerp aan te hangen dat minder weegt dan 2 kg.

KENNISGEVING: Hang niet een voorwerp dat meer weegt dan 2 kg aan het bevestigingssoog. Een zwaarder voorwerp kan ertoe leiden dat het bevestigingssoog kapot gaat, waardoor het voorwerp wordt beschadigd.

LET OP: Hang geen voorwerpen aan het bevestigingssoog die verstrikt kunnen raken in de struiken of heesters. Door het verstrikt raken kunt u uw evenwicht en de controle over het gereedschap verliezen, wat kan leiden tot persoonlijk letsel.

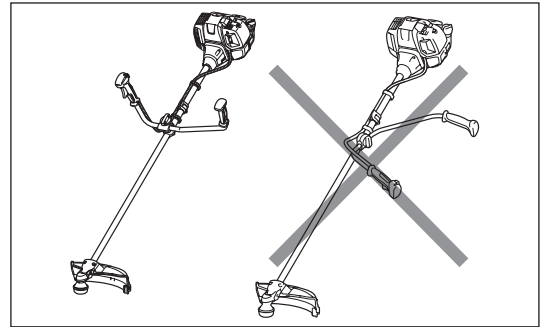


TIPS VOOR GEBRUIK EN PROCEDURE VOOR STOPPEN

Volg de toepasselijke voorschriften voor ongevallenpreventie!



Voordat u de motor start, zet u altijd eerst de handgreep in de juiste stand. Anders kan het snijgarnituur plotseling gaan draaien en letsel veroorzaken omdat de gaskabel wordt strak getrokken of gebogen, waardoor de gasklep wordt geopend.

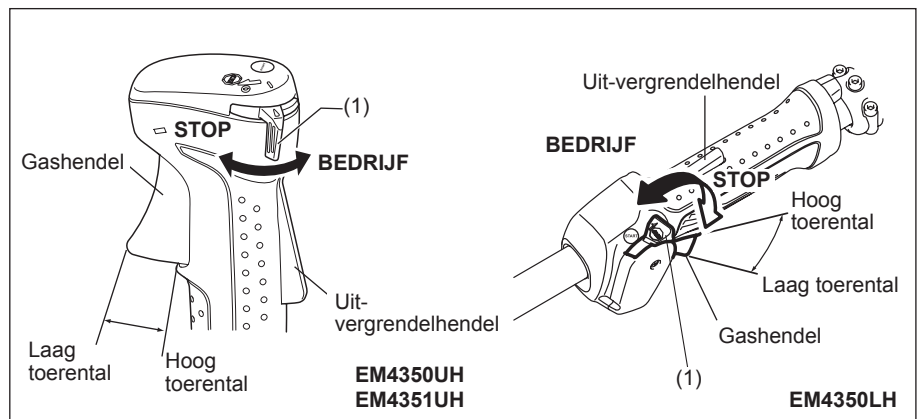


STARTEN

Houd ten minste 3 meters afstand tot de plaats waar brandstof is bijgevuld. Plaats het gereedschap op de grond en zorg ervoor dat de snijgarnituur de grond of andere voorwerpen niet raakt.

A: Startprocedure bij koude motor

- 1) Plaats het gereedschap op een vlakke ondergrond.
- 2) Zet de I-O-schakelaar (1) in de stand **BEDRIJF**.

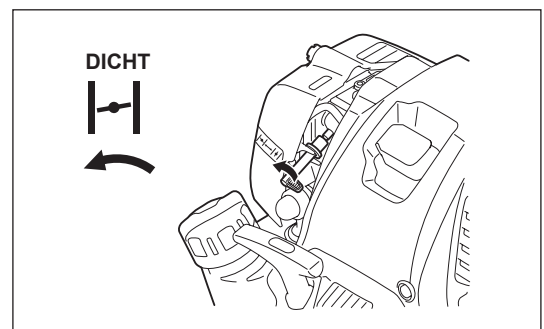


- 3) Chokehendel

Zet de choke dicht met de chokehendel.

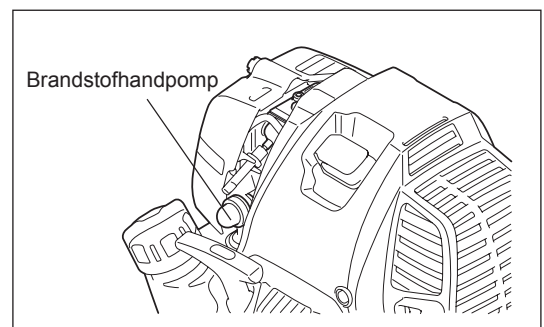
Gasklepoening:

- Volledig dicht bij lage temperaturen of wanneer de motor koud is.
- Volledig of half open als de motor enigszins warm is, zoals bij het herstarten van de motor vlak nadat deze warm is uitgezet.



- 4) Brandstofhandpomp

Blijf op de brandstofhandpomp drukken tot de brandstof in de brandstofhandpomp stroomt. (Over het algemeen, 7 tot 10 keer drukken.) Als te vaak op de brandstofhandpomp wordt gedrukt, vloeit het overschot aan brandstof terug naar de brandstoftank.

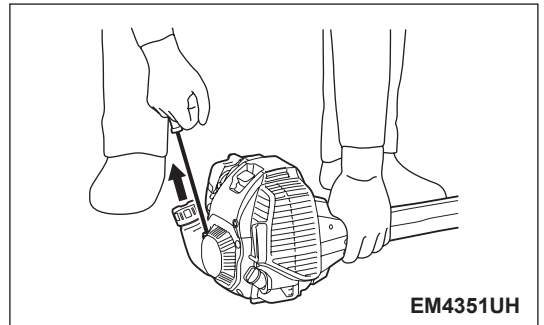
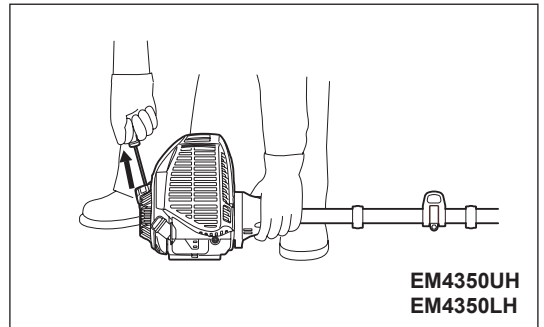


- 5) Trekstartinrichting
Zorg er voor dat u stevig staat.
Houd het gereedschap met uw linkerhand vast en duw het stevig omlaag.

LET OP: Zet daarbij niet uw voet of knie op de gaskabel. De binnenkabel kan dan strak komen te staan waardoor het snijgarnituur onbedoeld kan gaan draaien.
Open de gasklep niet.

Trek voorzichtig aan de trekstarthandgreep tot u een zekere weerstand voelt. Laat de trekstarthandgreep terugtrekken en trek er vervolgens krachtig aan.

Trek nooit door tot aan het einde van het trekstartkoord. Nadat aan de trekstarthandgreep is getrokken, mag u hem niet onmiddellijk loslaten. Houd de trekstarthandgreep vast tot het trekstartkoord is opgewonden in de trekstartinrichting.



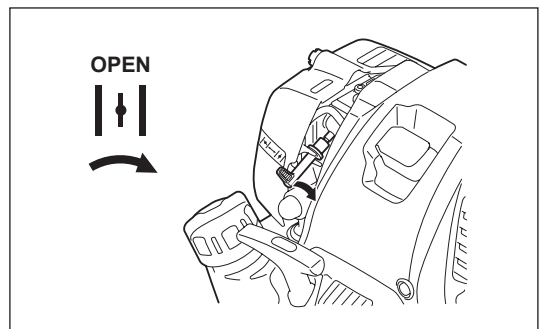
- 6) Chokehendel

Nadat de motor is gestart, zet u de chokehendel in de stand OPEN.
- Zet de chokehendel geleidelijk open terwijl u op het motortoerental let.
Zorg ervoor dat op het laatst de chokehendel volledig open staat.
- Bij lage temperaturen of wanneer de motor koud is, mag u de chokehendel nooit plotseling open zetten. Als u dit doet kan de motor afslaan.

- 7) Opwarmen

Laat de motor gedurende 2 tot 3 minuten opwarmen.

KENNISGEVING : Knijp de gashendel niet onnodig in wanneer de motor niet draait. Hierdoor kan brandstof lekken uit het luchtfilter. Als dat gebeurt, veegt u de gelekte brandstof af. Bovendien, open de luchtfilterkap en maak het filterelement en de luchtfilterplaat schoon.



OPMERKING:

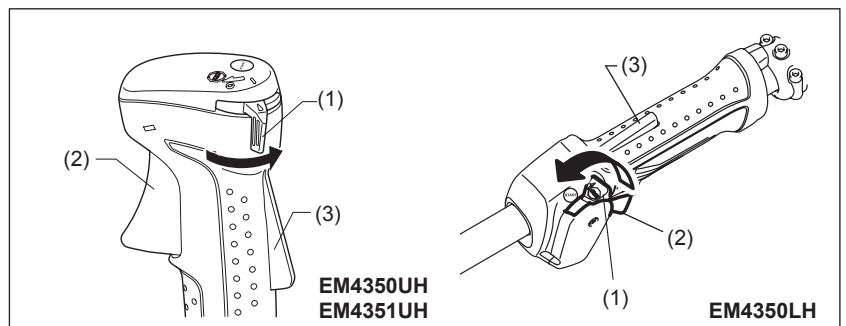
- Knijp de gashendel niet onnodig in wanneer de motor niet draait. Hierdoor kan de motor met brandstof verzuipen en kan de motor moeilijk te starten zijn.
- In het geval door overmatige brandstoftoevoer de motor verzuipt, verwijdert u de bougie en trekt u langzaam aan de trekstarthandgreep om overtollige brandstof te verwijderen. Maak ook het elektrodegedeelte van de bougie droog.
- Als de motor aanslaat en afslaat, of direct na het starten stopt, zet u de chokehendel terug in de stand OPEN en trekt u nogmaals enkele keren aan de trekstarthandgreep om de motor te starten.
- Als de chokehendel in de stand DICHT blijft staan en alleen enkele keren aan de trekstarthandgreep wordt getrokken, wordt te veel brandstof aangezogen en zal de motor moeilijk te starten zijn.
- Laat de motor niet onnodig op een hoog toerental draaien tijdens het opwarmen.

B: Warme start

- 1) Laat de chokehendel volledig open staan.
- 2) Druk herhaaldelijk op de brandstofhandpomp.
- 3) Laat de gashendel in de stand voor stationair draaien staan.
- 4) Trek krachtig aan de trekstarthandgreep.
- 5) Als de motor moeilijk te starten is, knijpt u de uit-vergrendelhendel (3) in, knijpt de gashendel (2) in, en beweegt u de I-O-schakelaar (1) naar de gasklepvergrendelingsstand. Terwijl u de I-O-schakelaar (1) vasthoudt, laat u de gashendel (2) en de uit-vergrendelhendel (3) los. Vervolgens trekt u aan de trekstarthandgreep.

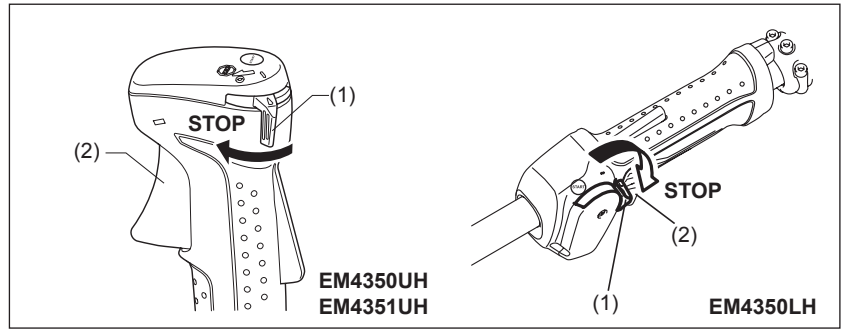
WAARSCHUWING: Let erop dat het snijgarnituur onmiddellijk begint te draaien.

- 6) Nadat de motor is gestart, knijpt u de uit-vergrendelhendel (3) in en knijpt u de gashendel (2) in, en laat u ze weer los om de motor stationair te laten draaien.



STOP

- 1) Laat de gashendel (2) volledig los en, nadat het motortoerental is afgenomen, duw de I-O-schakelaar (1) naar de stand STOP om de motor uit te schakelen.
- 2) Het snijgereedschap blijft nog enige tijd draaien nadat de motor is uitgeschakeld. Wacht totdat het volledig stilstaat.

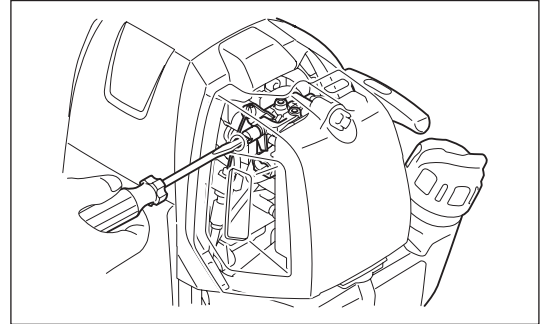


HET STATIONAIR TOERENTAL AFSTELLEN

Als het nodig is om het stationair toerental af te stellen, doet u dit met behulp van de stelschroef op de carburateur.

HET STATIONAIR TOERENTAL CONTROLEREN

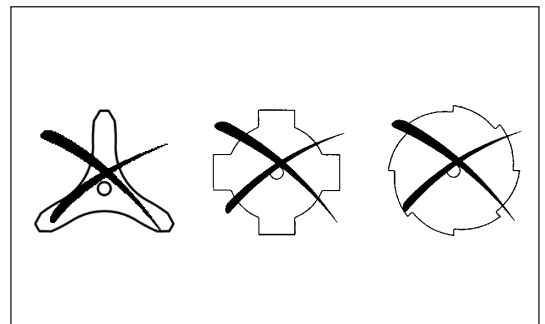
- Stel het stationair toerental af op 3.000 min⁻¹.
Als het nodig is om het stationair toerental af te stellen, gebruikt u een kruiskopschroevendraaier en draait u de stelschroef in de afbeelding rechts.
- Om het stationair toerental te verhogen, draait u de stelschroef rechtsom.
Om het stationair toerental te verlagen, draait u de stelschroef linksom.
- De carburateur is in de fabriek afgesteld. Echter, na langdurig gebruik moet het stationair toerental opnieuw worden afgesteld.



HET SNIJGARNITUUR SLIJPEN

LET OP: De snijgereedschappen aangegeven in de afbeelding mogen niet worden geslepen. Het handmatig slijpen zal resulteren in onbalans van het snijgereedschap, waardoor trillingen zullen ontstaan en het gereedschap schade kan oplopen.

OPMERKING: Om de levensduur van het snijblad te verlengen, kan dit eenmalig worden omgekeerd, totdat beide snijranden bot zijn geworden.



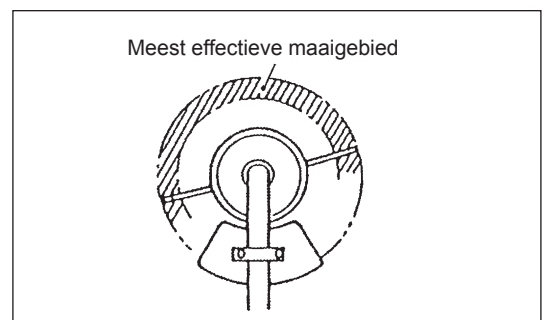
NYLONDRAAD-SNIJKOP

De nylondraad-snijkop is een dubbele-draadkop uitgerust met een stoot-aanvoermecanisme.

De nylondraad-snijkop zal de geschikte lengte nylondraad aanvoeren nadat de nylondraad-snijkop op de grond is gestoten als gevolg van wijzigingen in de centrifugale kracht die worden veroorzaakt door een toenemende of afnemende draaisnelheid.

Bediening

- Verhoog het toerental van de nylondraad-snijkop naar ongeveer 6.000 min⁻¹. Stoot de nylondraad-snijkop licht tegen de grond.
- Het meest effectieve maaigebied wordt aangegeven door het gearceerde deel in de afbeelding.
- Als de nylondraad niet wordt uitgevoerd, volgt u de procedures die zijn beschreven onder "De nylondraad vervangen" om de nylondraad op te wikkelen/te vervangen.



De nylondraad vervangen (STOOT-AANVOER)

WAARSCHUWING: Controleer of het deksel van de nylondraad-snijkop goed op de behuizing is bevestigd, zoals hieronder beschreven. Als u het deksel niet stevig bevestigt, kan de nylondraad-snijkop uit elkaar vliegen en ernstig persoonlijk letsel veroorzaken.

Druk de vergrendelnokken van de behuizing naar binnen om het deksel eraf te tillen.

Gooi eventueel resterende nylondraad weg.

Haak het midden van de nieuwe nylondraad in de inkeping in het midden van de draadspoel tussen de 2 kanalen waarin de nylondraad moet worden opgewikkeld. Eén uiteinde van de nylondraad moet ongeveer 80 mm langer zijn dan het andere uiteinde.

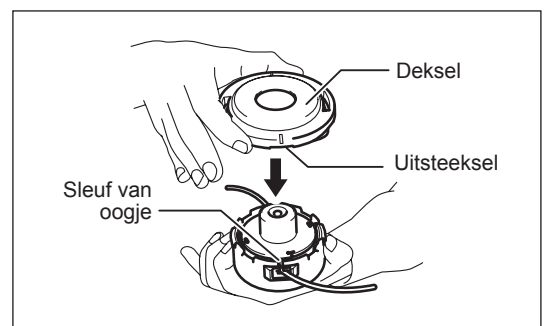
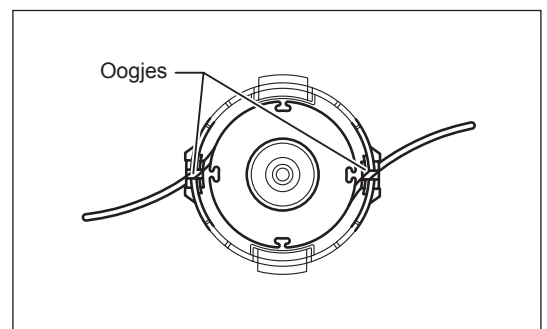
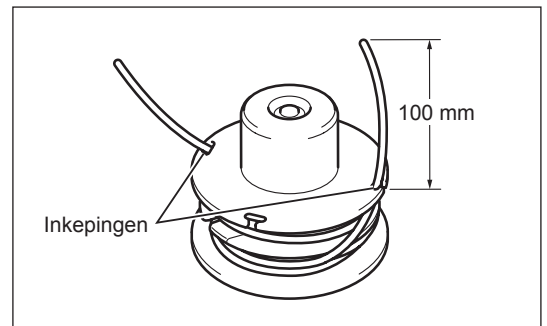
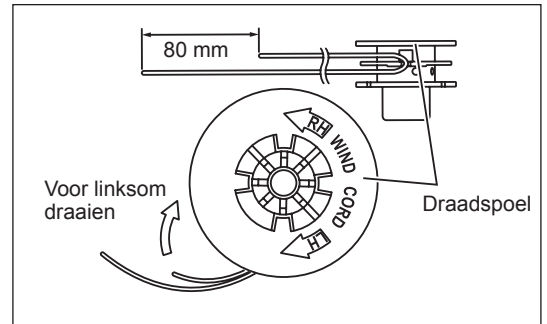
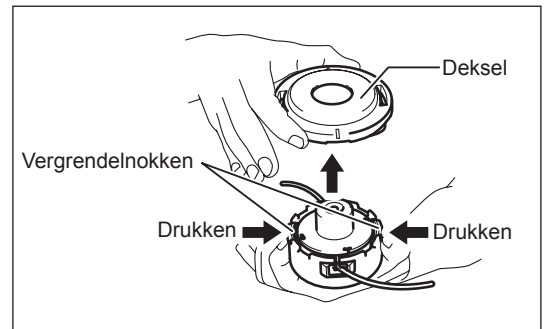
Wikkel beide uiteinden stevig op de draadspoel in de richting aangegeven op de snijkop met LH voor linkerwikkeldraaiing.

Wikkel op 100 mm na de volledige lengte van de nylondraad op de draadspoel, en haak de uiteinden tijdelijk in de inkeping in de zijkant van de draadspoel.

Plaats de draadspoel zodanig in de behuizing dat de groeven en uitsteeksels op de draadspoel overeenkomen met die in de behuizing. Zorg ervoor dat de zijkant van de draadspoel waarop de letters staan naar buiten wijst. Maak nu de uiteinden van de nylondraad los uit hun tijdelijke positie en voer de nylondraden door de oogjes zodat ze uit de behuizing steken.

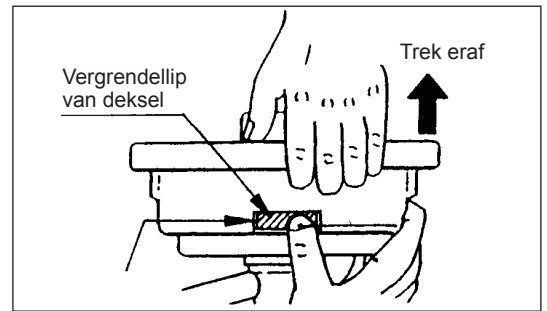
Lijn het uitsteeksel op de onderkant van het deksel uit met de sleuven naar de oogjes.

Druk daarna het deksel stevig op de behuizing zodat hij wordt vergrendeld. Controleer of de vergrendelnokken zich volledig spreiden in het deksel.

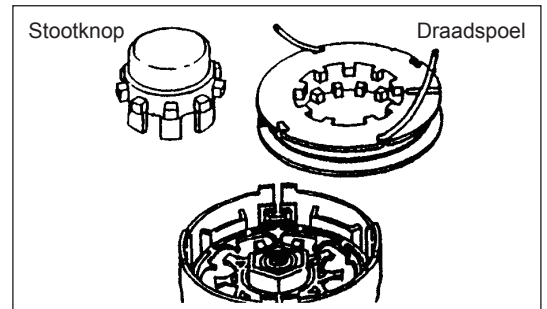


De nylondraad vervangen (ULTRA AUTO)

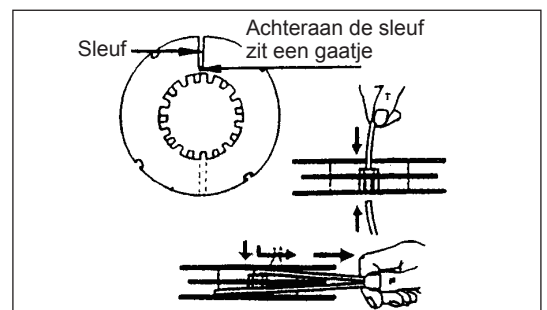
1. Druk de twee vergrendellippen op tegenovergestelde zijden van de behuizing in en trek het deksel van de behuizing af.



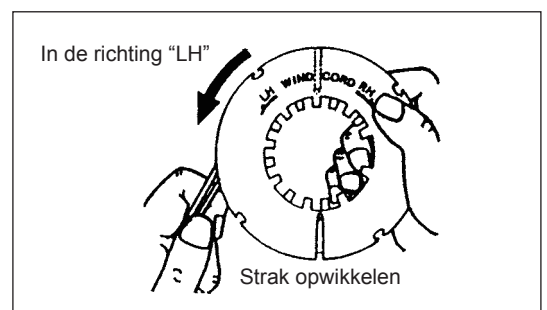
2. Haal de stootknop en draadspoel uit de behuizing.



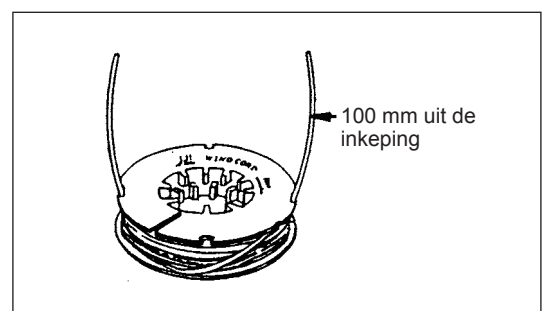
3. Steek van ieder van de twee nylondraden een uiteinde in het gaatje dat achteraan de sleuf zit in ieder van de buitenflenzen van de spoel. Trek de nylondraden door de sleuf in iedere buitenflens in de geulen van de spoel.



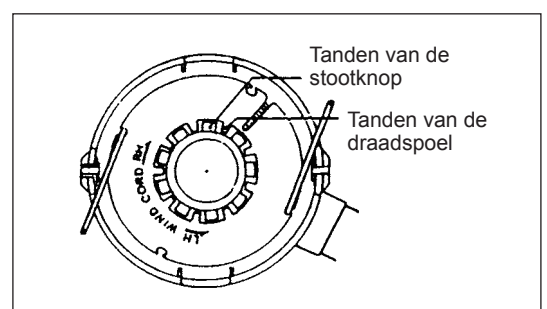
4. Wikkel de nylondraden strak op in de richting aangegeven door de linkerpijl (LH) op de buitenflens. Voorkom dat de nylondraden elkaar kruisen.



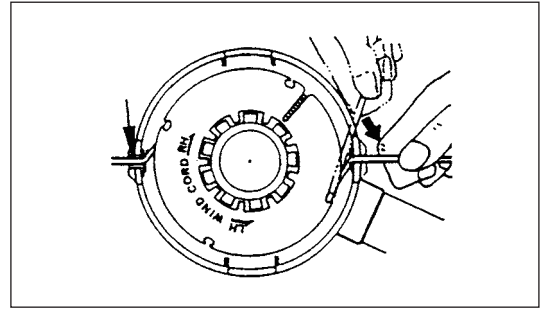
5. Wikkel op 100 mm na de volledige lengte van de nylondraad op de spoel op, en haak de uiteinden tijdelijk in de inkeping in de zijkant van de spoel.



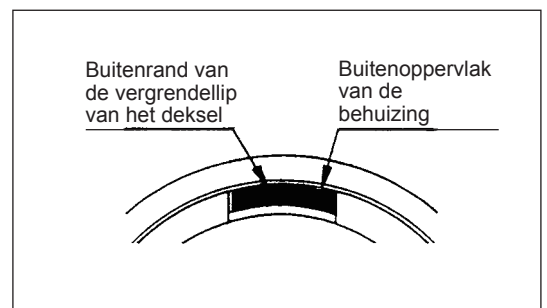
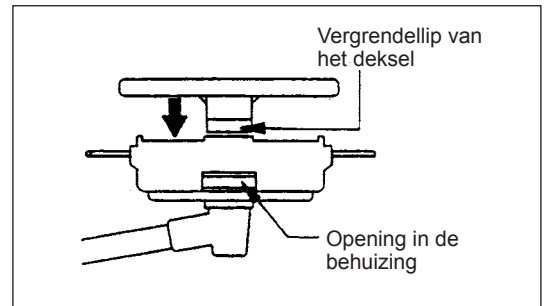
6. Plaats de stootknop zodanig in de behuizingsnaaf dat deze tegen de veerdruk in vrij op en neer kan bewegen. Leg de spoel zodanig in de behuizing dat de tanden op de spoel en op de stootknop in elkaar grijpen als tandwielen.



7. Trek de nylondraden door de gleuf van de oogjes.



8. Plaats het deksel op de behuizing, lijn de vergrendellippen op het deksel uit met de openingen in de behuizing. Zorg ervoor dat het deksel nauwkeurig op de behuizing wordt bevestigd. De buitenrand van de vergrendellip van het deksel en het buitenoppervlak van de behuizing moeten even hoog liggen.



ONDERHOUDSINSTRUCTIES

LET OP: Voordat u werkzaamheden uitvoert aan het gereedschap, moet u altijd de motor uitschakelen en de bougiekap van de bougie aftrekken (zie "De bougie controleren").
Draag altijd veiligheidshandschoenen!

Om een lange levensduur te garanderen en eventuele schade aan het gereedschap te voorkomen, moeten de volgende onderhoudswerkzaamheden regelmatig uitgevoerd worden.

Dagelijkse controle en onderhoud

- Controleer het gereedschap voor het gebruik op losse bouten of ontbrekende onderdelen. Let vooral op of het metalen blad of de nylondraad-snijkop stevig is bevestigd.
- Controleer voor gebruik altijd op verstopping van de koelluchtinlaatopening en de koelribben van de cilinder. Maak deze plaatsen zo nodig schoon.
- Voer de volgende werkzaamheden dagelijks uit na het gebruik:
 - Reinig de buitenkant van het gereedschap en inspecteer op beschadigingen.
 - Maak het luchtfilter schoon. Als onder extreem stoffige omstandigheden wordt gewerkt, moet het filter meerdere keren per dag worden gereinigd.
 - Controleer het snijblad of de nylondraad-snijkop op schade en controleer of het snijblad of de snijkop stevig bevestigd is.
 - Controleer of er voldoende verschil is tussen het stationair toerental en het aangrijptoeental om zeker te zijn dat het snijgarnituur stilstaat wanneer de motor stationair draait (verlaag zo nodig het stationair toerental).
In het geval het hulpstuk bij stationair toerental blijft draaien, neemt u contact op met het dichtstbijzijnde, erkende servicecentrum.
- Controleer de werking van de I-O-schakelaar, de uit-vergrendelhendel, de gashendel, en de vergrendelingsknop.

MOTOROLIE VERVERSEN

Verslechterde motorolie verkort de levensduur van de motor. Controleer de olie en het oliepeil regelmatig.



WAARSCHUWING: De motor en motorolie zijn nog heet vlak nadat de motor is uitgeschakeld. Wacht voldoende lang om de motor en motorolie te laten afkoelen. Anders kunt u uw huid verbranden.

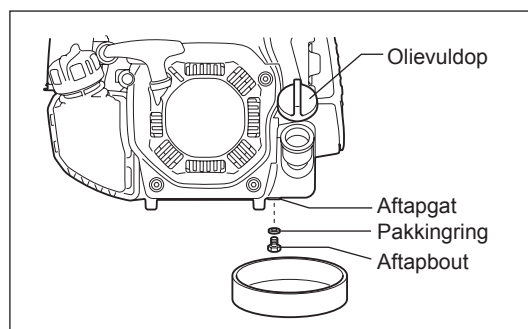
OPMERKING: Als de olie tot boven het bovenste merkteken wordt bijgevuld, kan de olie gemorst worden en vlam vatten waarbij witte rook vrijkomt. Wacht nadat de motor is uit gezet voldoende lang om de motorolie te laten terugstromen naar de olietank voor een nauwkeurige controle van het oliepeil.

Verversingsinterval: Na de eerste 20 bedrijfsuren en vervolgens na iedere 50 bedrijfsuren.

Aanbevolen olie: SAE 10W-30 olie van API-classificatie, SF-klasse of beter (4-taktmotorolie voor auto's)

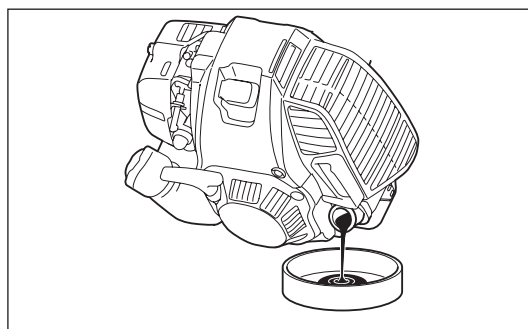
Volg de onderstaande procedure om de olie te verversen.

- 1) Controleer of de brandstofvuldop stevig vastgedraaid is.
- 2) Plaats een grote opvangbak (pan, enz.) onder het aftapgat.
- 3) Verwijder de aftapbout en draai daarna de olievuldop eraf om de motorolie af te tappen uit het aftapgat.
Wees hierbij voorzichtig de pakkingring van de aftapbout niet kwijt te raken en de verwijderde onderdelen niet vuil te maken.
- 4) Nadat de motorolie is afgetapt, plaatst u de aftapbout en pakkingring en draait u de aftapbout stevig vast, zodat deze niet kan losraken en gaan lekken.
[Aanhaalkoppel: 5 Nm]
* Gebruik een poetsdoek om de motorolie die aan de aftapbout en het gereedschap zit volledig af te vegen.



Alternatieve methode voor het aftappen van de motorolie

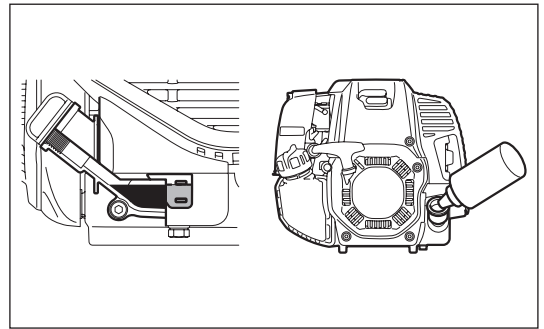
Draai de olievuldop eraf, kantel het gereedschap in de richting van de olievulopening en tap de olie af.
Vang de motorolie op in een opvangbak.



- 5) Plaats de motor horizontaal en vul geleidelijk nieuwe motorolie bij tot aan de markering van de bovengrens.
- 6) Draai na het bijvullen de olievuldop stevig vast, zodat deze niet kan losraken en gaan lekken.
Als de olievuldop niet stevig wordt vastgedraaid, kan deze gaan lekken.

TIPS VOOR HET OMGAAN MET OLIE

- Gooi verbruikte motorolie nooit weg met het afval, op de grond, of in een rioolput. Het weggooien van olie is bij wet geregeld. Houd u bij het weggooien altijd aan de betreffende wetten en regelgeving. In het geval u hierover vragen heeft, neemt u contact op met een erkend servicecentrum.
- Olie verslechtert, ook wanneer de olie niet wordt gebruikt. Controleer en ververs de olie regelmatig (ververs de olie iedere 6 maanden).



HET LUCHTFILTER REINIGEN



WAARSCHUWING: Schakel de motor uit, blijf uit de buurt van open vuur en rook niet.

Controle- en reinigingsinterval: Dagelijks (iedere 10 bedrijfsuren)

- Zet met de chokehendel de choke helemaal dicht en houd de carburateur vrij van stof of vuil.

De luchtfilterkap verwijderen

- Maak de haak op de luchtfilterkap los door op de lus op de achterplaat te drukken.
- Draai de bevestigingsbout los.
- Trek aan de luchtfilterkap en verwijder hem.

Het luchtfilterelement reinigen

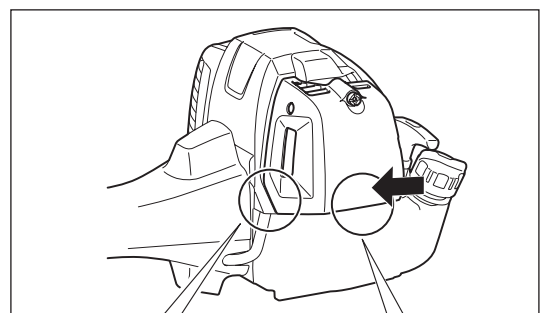
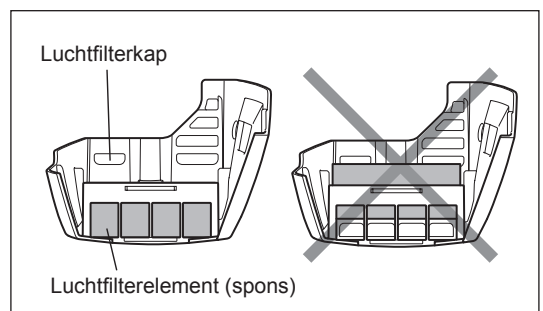
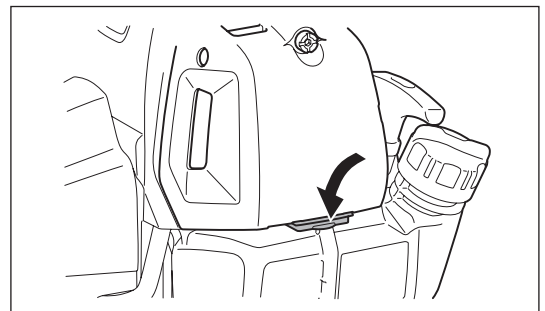
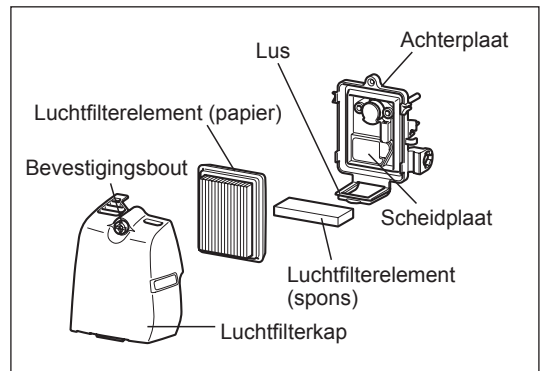
- Verwijder de luchtfilterelementen en tik ertegen om het vuil te verwijderen.
- In geval van ernstige verontreiniging:
 - 1) Verwijder het luchtfilterelement (spons), dompel het in warm water of in een oplossing van een mild schoonmaakmiddel in water, en droog het grondig. Knijp er niet in en wrijf er niet over tijdens het wassen.
 - 2) Reinig het luchtfilterelement (papier) voorzichtig door ertegen te kloppen. Als u de beschikking hebt over een perslucht pistool, plast u de perslucht tegen de binnenkant van het luchtfilterelement (papier). Het luchtfilterelement (papier) mag niet worden gewassen.
- Alvorens het luchtfilterelement (spons) terug te plaatsen, moet het grondig droog zijn. Als het luchtfilterelement (spons) onvoldoende droog wordt teruggeplaatst, kan dat leiden tot moeilijk starten.
- Veeg olie die rondom de luchtfilterkap en scheidplaat zit af met een poetsdoek.

De luchtfilterkap bevestigen

- Plaats het luchtfilterelement (spons) en het luchtfilterelement (papier). Steek het luchtfilterelement (spons) helemaal in de luchtfilterkap.
- Steek de haak aan de zijkant op de luchtfilterkap zoals aangegeven in de afbeelding, en duw de onderrand van de luchtfilterkap omlaag tot de haak zich met een klik stevig vastzet in de lus. Bevestig de luchtfilterkap vervolgens met de bevestigingsbout.

KENNISGEVING:

- Reinig de luchtfilterelementen meerdere keren per dag als onder extreem stoffige omstandigheden wordt gewerkt. Vervuilde luchtfilterelementen verlagen het motorvermogen en bemoeilijken het starten van de motor.
- Verwijder de olie op de luchtfilterelementen. Als u blijft doorwerken terwijl de luchtfilterelementen vervuild zijn met olie, kan de olie buiten het luchtfilter terechtkomen en tot milieuverontreiniging leiden.
- Plaats de luchtfilterelementen niet op de grond of op een vieze plaats. Er kan dan vuil of rommel aan blijven plakken waardoor de motor kan worden beschadigd.
- Gebruik nooit brandstof om de luchtfilterelementen te reinigen. Ze kunnen door de brandstof worden beschadigd.



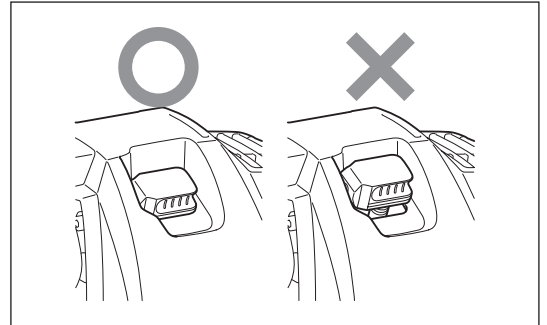
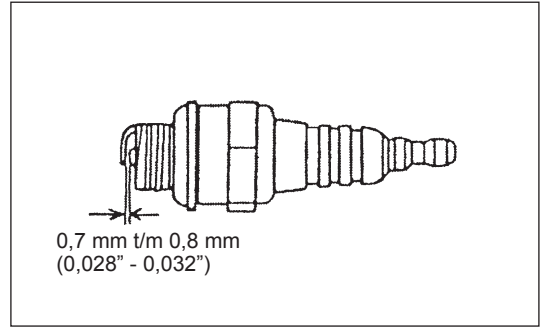
Haak zijkant

Haak

DE BOUGIE CONTROLEREN

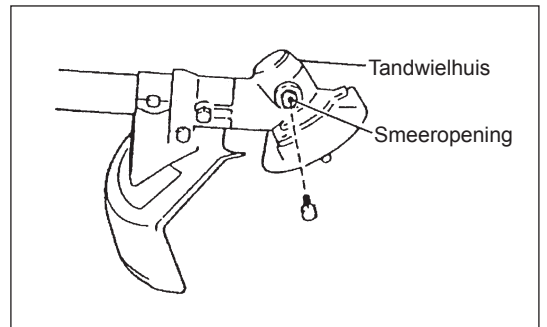
- Gebruik alleen de bijgeleverde moersleutel om de bougie te verwijderen of te monteren.
- De afstand tussen de twee elektroden van de bougie moet 0,7 tot 0,8 mm (0,028" - 0,032") bedragen. Als de afstand te groot of te klein is, moet u deze aanpassen. Als de elektroden van de bougie verstopt of vervuild zijn, moet u deze grondig schoonmaken of de bougie vervangen. Plaats na controle de bougiekap goed terug, zoals aangegeven in de afbeelding.

LET OP: Raak de bougiekap nooit aan terwijl de motor draait (gevaar van elektrische schok door hoogspanning).



HET TANDWIELHUIS SMEREN

- Breng elke 30 bedrijfsuren smeervet (Shell Alvania 2 of gelijkwaardig) aan in het tandwielhuis via de smeeroening. (Origineel MAKITA-smeervet kan worden aangeschaft bij uw MAKITA-dealer.)



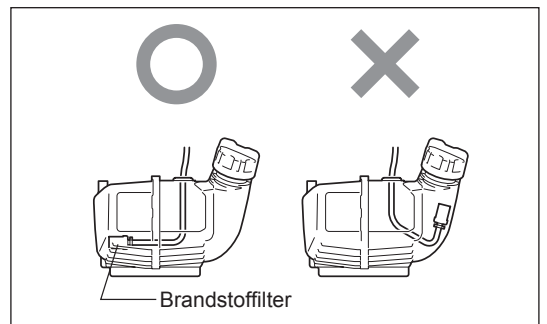
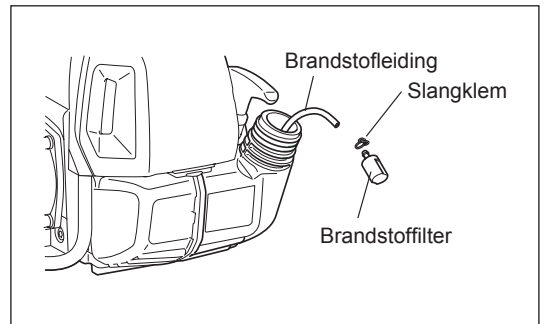
HET BRANDSTOFFILTER REINIGEN

WAARSCHUWING: STRENG VERBODEN VOOR ONTBRANDBARE MATERIALEN

Controle- en reinigingsinterval: Maandelijks (iedere 50 bedrijfsuren)

Zuigkop in brandstoftank

- Het brandstoffilter (1) op de zuigkop wordt gebruikt om de brandstof die door de carburateur wordt aangezogen, te filteren.
- Het brandstoffilter moet regelmatig visueel worden gecontroleerd. Draai de brandstofvuldop eraf en gebruik een draadhaak om de zuigkop uit de brandstofvulopening te trekken. Als het filter hard of verstopt is, vervangt u het.
- Vervang het brandstoffilter ten minste iedere drie maanden om verzekerd te zijn van een voldoende goede brandstoftoevoer naar de carburateur. Als u dat niet doet, zal door onvoldoende brandstoftoevoer de motor moeilijk starten en het maximumtoerental lager zijn.
- Na het controleren, reinigen of vervangen van het brandstoffilter, bevestigt u het met een slangklem op de brandstofleiding. Duw het brandstoffilter helemaal naar de bodem van de brandstoftank.



DE BRANDSTOFLEIDING VERVANGEN

LET OP: STRENG VERBODEN VOOR ONTBRANDBARE MATERIALEN

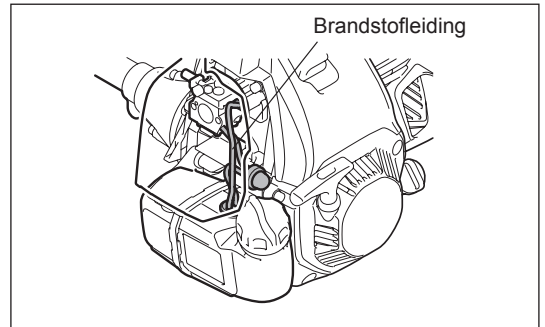
Controle- en reinigingsinterval: Dagelijks (iedere 10 bedrijfsuren)

Vervanging: Jaarlijks (iedere 200 bedrijfsuren)

Vervang de brandstofleiding ieder jaar, ongeacht de gebruiksfrequentie.

Brandstoflekkage kan brand veroorzaken.

Als tijdens de inspectie een lekkage wordt gevonden, vervangt u de brandstofleiding onmiddellijk.



DE BOUTEN, MOEREN EN SCHROEVEN INSPECTEREN

- Draai losse bouten, moeren, enz., weer vast.
- Controleer of de brandstofvuldop en olievuldop goed vastgedraaid zijn. Controleer op brandstof- en olielekkage.
- Vervang beschadigde onderdelen door nieuwe voor een veilig gebruik.

DE ONDERDELEN REINIGEN

- Houd de motor altijd schoon door deze af te vegen met een poetsdoek.
- Houd de koelribben van de cilinder vrij van stof en vuil. Stof en vuil dat zich tussen de koelribben ophoopt, zal leiden tot het vastlopen van de zuiger.

DE AFDICHTINGEN EN PAKKINGEN VERVANGEN

Vervang de pakkingen en afdichtingen als de motor gedemonteerd is.

Alle onderhouds- of afstelwerkzaamheden die niet in deze gebruiksaanwijzing zijn beschreven, mogen alleen worden uitgevoerd door een erkend servicecentrum.

OPSLAG

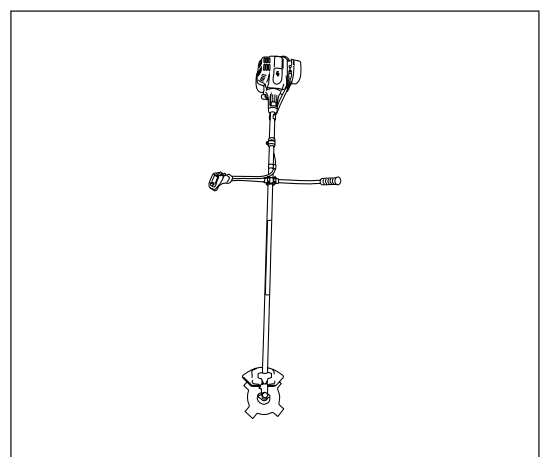


WAARSCHUWING: De motor is nog heet vlak nadat de motor is uitgeschakeld. Als u de brandstof gaat aftappen, wacht u voldoende lang om de motor te laten afkoelen nadat deze is uitgeschakeld. Anders kunt u uw huid verbranden of kan brand ontstaan.



WAARSCHUWING: Als het gereedschap gedurende een lange tijd niet gebruikt gaat worden, tapt u alle brandstof uit de brandstoftank en carburateur, en slaat u het op een droge, schone plaats op.

- Tap de brandstof af uit de brandstoftank en carburateur aan de hand van de volgende procedure:
 - 1) Draai de brandstofvuldop eraf en tap de brandstof volledig af. Als een vreemde substantie is achtergebleven in de brandstoftank, verwijdert u deze volledig.
 - 2) Trek met behulp van een draadhaak het brandstoffilter uit de brandstofvulopening.
 - 3) Druk op de brandstofhandpomp totdat de brandstof daaruit en in de brandstoftank stroomt.
 - 4) Plaats het brandstoffilter in de brandstoftank en draai de brandstofvuldop stevig vast.
 - 5) Laat de motor vervolgens draaien tot deze afslaat.
- Verwijder de bougie en breng enkele druppels motorolie via het bougiegat in de cilinder.
- Trek voorzichtig aan de trekstarthandgreep zodat de motorolie zich door de motor verspreidt, en monteer daarna de bougie weer.
- Bevestig de beschermkap op het metalen blad.
- Over het algemeen moet de machine horizontaal worden opgeslagen, of als dat niet mogelijk is, plaatst u de machine zodanig dat het snijgarntuur zich lager bevindt dan de motor. Let goed op hoe u de machine opslaat zodat hij niet kan vallen. Anders kan persoonlijk letsel worden veroorzaakt.
- Bewaar de afgetapte brandstof in een speciale jerrycan op een goed geventileerde plaats in de schaduw.



Aandachtspunt na langdurige opslag

- Alvorens de motor na langdurige stilstand opnieuw te starten, moet de olie worden ververs (zie pag. 126). De olie verslechtert terwijl het gereedschap niet in gebruik is.

Item	Gebruikstijd	Voor gebruik	Na bijvullen van brandstof	Dagelijks (10 uur)	30 uur	50 uur	200 uur	Vóór opslag	Zie pagina
Motorolie	Inspecteren/ reinigen	○							117
	Vervangen					○*1			126
Vastdraaien (bouten, moeren, enz.)	Inspecteren	○							128
Brandstoftank	Reinigen/ inspecteren	○							—
	Brandstof aftappen							○*3	129
Gashendel	Werking controleren		○						—
Stopschakelaar	Werking controleren		○						126
Snijgarnituur	Inspecteren	○		○					114
Stationair toerental	Inspecteren/ afstellen			○					122
Luchtfilter	Reinigen			○					127
Bougie	Inspecteren			○					128
Koelluchtinlaatopening en koelribben van de cilinder	Reinigen/ inspecteren			○					129
Brandstofleiding	Inspecteren			○					129
	Vervangen						⊙*2		—
Smeervet in tandwielhuis	Bijvullen				○				128
Brandstoffilter	Reinigen/ vervangen					○			128
Klep­spel­ing (in­laat­klep en uit­laat­klep)	Inspecteren/ afstellen						⊙*2		—
Carburateur	Brandstof aftappen							○*3	129

*1 Eerste keer ververset na 20 bedrijfsuren.

*2 Vraag een erkend servicecentrum of een machinewerkplaats om de inspectie na 200 bedrijfsuren uit te voeren.

*3 Na het aftappen van de brandstoftank, laat u de motor draaien om de brandstof in de carburateur op te gebruiken.

PROBLEMEN OPLOSSEN

Alvorens een verzoek voor reparatie in te dienen, controleer u de storing zelf aan de hand van de onderstaande tabel. Als een probleem is gevonden, repareert u het gereedschap aan de hand van de beschrijvingen in deze gebruiksaanwijzing. Probeer nooit enig onderdeel te demonteren of repareren in strijd met de beschrijvingen. Voor reparatie neemt u contact op met een erkend servicecentrum of uw plaatselijke dealer.

Probleemomschrijving	Mogelijke oorzaak (storing)	Oplossing
Motor start niet.	De I-O-schakelaar staat in de stand STOP.	Zet de I-O-schakelaar in de stand BEDRIJF .
	De brandstofhandpomp werd niet ingedrukt.	Druk deze 7 tot 10 keer in.
	Te zwak trekken aan de trekstarthandgreep.	Trek krachtig.
	Gebrek aan brandstof.	Vul brandstof bij.
	Verstopt brandstoffilter.	Reinig.
	Gebroken brandstofleiding.	Repareer de brandstofleiding.
	Verslechterde brandstof.	De verslechterde brandstof bemoeilijkt het starten. Vervang de brandstof door nieuwe. (Aanbevolen vervangingsinterval: 1 maand.)
	Buitensporige toevoer van brandstof.	Verander de stand van de gashendel van middelhoog toerental naar hoog toerental en trek aan de trekstarthandgreep tot de motor start. Nadat de motor is gestart, begint het metalen blad te draaien. Let goed op het metalen blad. Als de motor nog steeds niet start, draait u de bougie eruit, maakt u de elektroden droog, en monteert u de bougie weer. Start vervolgens zoals beschreven.
	Bougiekap ligt eraf.	Bevestig stevig.
	Vervuilde bougie.	Reinig.
	Verkeerde elektrodenafstand van bougie.	Stel de elektrodenafstand af.
	Ander probleem met de bougie.	Vervang.
	Probleem met de carburateur.	Dien een verzoek in voor inspectie en onderhoud.
	Trekstarthandgreep kan niet worden uitgetrokken.	Dien een verzoek in voor inspectie en onderhoud.
Probleem met aandrijving.	Dien een verzoek in voor inspectie en onderhoud.	
Motor slaat snel af. Motortoerental neemt niet toe.	Onvoldoende opgewarmd.	Warm de motor op.
	Chokehendel staat in de stand DICHT ondanks dat de motor opgewarmd is.	Zet in de stand OPEN .
	Verstopt brandstoffilter.	Reinig.
	Vervuild of verstopt luchtfilter.	Reinig.
	Probleem met de carburateur.	Dien een verzoek in voor inspectie en onderhoud.
	Probleem met aandrijving.	Dien een verzoek in voor inspectie en onderhoud.
Metalen blad draait niet. ↓ Motor slaat onmiddellijk af	Bevestigingsmoer van metalen blad zit los.	Draai goed vast.
	Takjes zijn rond het metalen blad gewikkeld of verstopen de beschermkap.	Verwijder vreemde voorwerpen
	Probleem met aandrijving.	Dien een verzoek in voor inspectie en onderhoud.
Motorblok trilt abnormaal sterk ↓ Motor slaat onmiddellijk af	Metalen blad is gebroken, verbogen of versleten.	Vervang het metalen blad.
	Bevestigingsmoer van metalen blad zit los.	Draai goed vast.
	Bolle deel van het metalen blad is verschoven ten opzichte van het steunvlak.	Bevestig stevig.
	Probleem met aandrijving.	Dien een verzoek in voor inspectie en onderhoud.
Metalen blad stopt niet onmiddellijk. ↓ Motor slaat onmiddellijk af	Hoog stationair toerental.	Afstellen
	Gaskabel losgeraakt.	Bevestig stevig.
	Probleem met aandrijving.	Dien een verzoek in voor inspectie en onderhoud.
Motor slaat niet af. ↓ Laat de motor stationair draaien en zet de chokehendel in de stand DICHT .	Stekker losgeraakt.	Bevestig stevig.
	Probleem met elektrisch systeem.	Dien een verzoek in voor inspectie en onderhoud.

Als de motor niet start ondanks dat deze opgewarmd is:

Als bij het doorlopen van de controlepunten geen probleem wordt gevonden, zet u de chokehendel ongeveer 1/3 open en start u de motor.

Muchas gracias por comprar el equipo motorizado para exteriores de MAKITA. Nos complace recomendarle el producto MAKITA, que es el resultado de un largo programa de desarrollo y muchos años de investigación y experiencia. Lea este folleto que explica en detalle los diferentes aspectos que demostrarán su excelente rendimiento. Le ayudará a obtener los mejores resultados posibles del producto de MAKITA.



Tabla de contenido	Página
Símbolos.....	132
Instrucciones de seguridad.....	133
Datos técnicos.....	137
Denominación de las piezas.....	138
Montaje del asidero.....	139
Montaje del protector.....	140
Montaje de la cuchilla de metal o del cabezal de corte de nylon.....	142
Antes del uso.....	143
Manejo correcto de la máquina.....	145
Aspectos del manejo y cómo parar la máquina.....	146
Afilado de la herramienta de corte.....	148
Instrucciones de servicio.....	152
Almacenamiento.....	155

SÍMBOLOS

Cuando lea el manual de instrucciones se encontrará con los siguientes símbolos.

	¡Lea el manual de instrucciones y respete las advertencias y las precauciones de seguridad!		¡Mantenga el área de operaciones libre de personas y animales!
	¡Preste especial cuidado y atención!		¡Utilice un casco de seguridad y protección para los ojos y oídos!
	¡Prohibido!		Máxima velocidad permitida de la herramienta
	¡Mantenga la distancia!		Combustible (Gasolina)
	¡Peligro de que salgan despedidos objetos!		Encendido manual del motor
	¡Contragolpe!		Parada de emergencia
	¡No fume!		Primeros auxilios
	¡No la acerque a llamas!		ENCENDIDO/ARRANQUE
	¡Deben utilizarse guantes protectores!		APAGADO/PARADA
	Utilice botas robustas con suela antideslizante. ¡Se recomienda utilizar botas de seguridad con puntera de acero!		POSICIÓN DE BLOQUEO DE LA MARIPOSA DE GASES

INSTRUCCIONES DE SEGURIDAD

Instrucciones generales

- Lea este manual de instrucciones para familiarizarse con el manejo del equipo. Los usuarios con una información insuficiente se pondrán en riesgo a ellos mismos y pondrán en riesgo a otros a causa de un manejo incorrecto.
- Se recomienda prestar el equipo solamente a personas con experiencia comprobada. Entregue siempre el manual de instrucciones.
- Los usuarios que utilizan por primera vez la máquina deben pedir al distribuidor instrucciones básicas para familiarizarse con el manejo de la desbrozadora.
- No se debe permitir que los niños o las personas de menos de 18 años utilicen este equipo. No obstante, las personas de más de 16 años pueden usar el dispositivo con finalidades de aprendizaje bajo la supervisión de un instructor cualificado.
- Utilice el equipo con el máximo cuidado y la máxima atención.
- Utilícelo solamente si se encuentra en buen estado físico. Realice todo el trabajo con calma y con cuidado. El usuario tiene que aceptar la responsabilidad por otros.
- Nunca utilice este equipo tras consumir alcohol o medicamentos o si se siente cansado o enfermo.
- Las normativas nacionales pueden restringir el uso de la máquina.

Uso previsto de la máquina

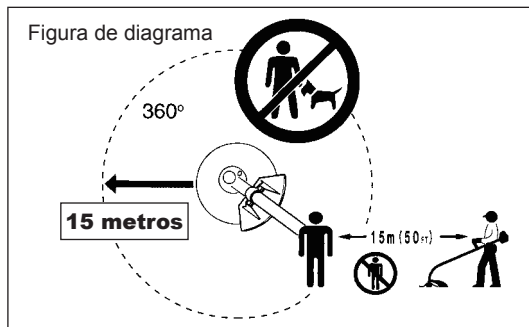
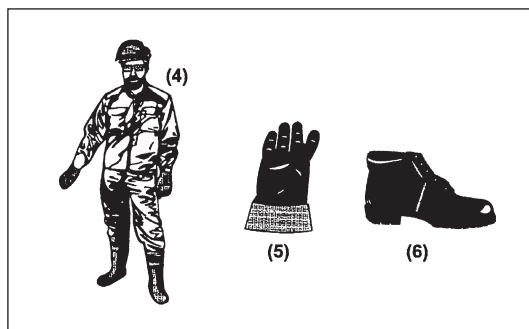
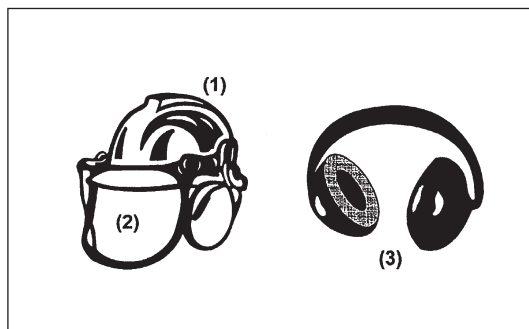
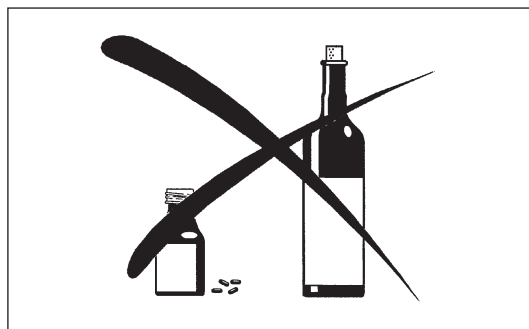
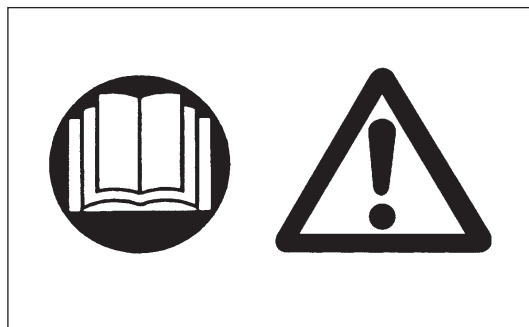
- Este equipo solamente se ha diseñado para cortar hierba, malas hierbas, arbustos y sotobosque. No se debe utilizar con ninguna otra finalidad, como canteado o cortado de setos, ya que se podrían causar lesiones.

Equipo de protección personal

- Debe llevarse ropa funcional y apropiada, es decir, debe ser ajustada pero sin que sea incómoda. No lleve joyas ni prendas que puedan engancharse en arbustos o maleza.
- Para evitar lesiones en la cabeza, los ojos, las manos o los pies y para proteger los oídos, debe llevarse el siguiente equipo y la siguiente ropa de protección durante las operaciones.
- Utilice siempre un casco cuando haya riesgo de caída de objetos. Debe comprobarse periódicamente si el casco protector (1) tiene algún daño y se debe sustituir como máximo después de 5 años. Utilice solamente cascos protectores homologados.
- El visor (2) del casco (o, como alternativa, las gafas de seguridad) protege la cara de piedras y objetos que salen despedidos. Durante las operaciones utilice gafas de seguridad o un visor para evitar lesiones en los ojos.
- Utilice un equipo de protección acústica adecuado para evitar daños en el oído (protectores de oído (3), tapones para los oídos, etc.).
- El mono de trabajo (4) protege contra piedras y otros objetos que salen despedidos. Recomendamos utilizar un mono de trabajo.
- Los guantes (5) son parte del equipo obligatorio y siempre se deben utilizar durante las operaciones.
- Cuando utilice el equipo, utilice siempre zapatos robustos (6) con una suela que no resbale. De esta manera se protegerá contra lesiones y se asegurará de que los pies estén en una posición firme.

Puesta en marcha de la desbrozadora

- Asegúrese de que no haya niños u otras personas en un área de trabajo de 15 metros (50 pies) y preste atención también a cualquier animal que pueda estar cerca del lugar de trabajo.
- Antes del uso, compruebe que el equipo permita realizar las operaciones con seguridad: Compruebe la seguridad de la herramienta de corte, el accionamiento sencillo de la palanca de la mariposa de gases y el correcto funcionamiento del bloqueo de la palanca de la mariposa de gases.
- No se permite girar la herramienta de corte mientras funciona en vacío. Consulte los ajustes con su distribuidor en caso de duda. Compruebe que los asideros estén limpios y secos y pruebe el funcionamiento del interruptor de arranque/parada.

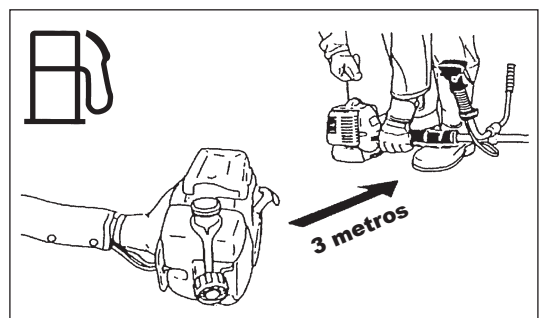
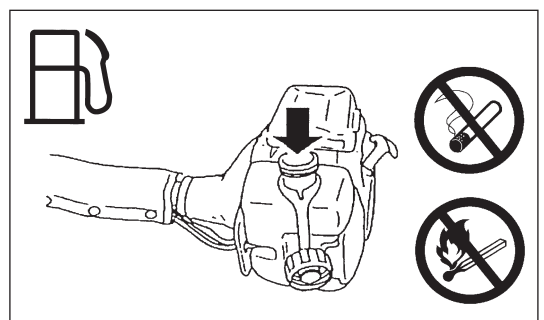
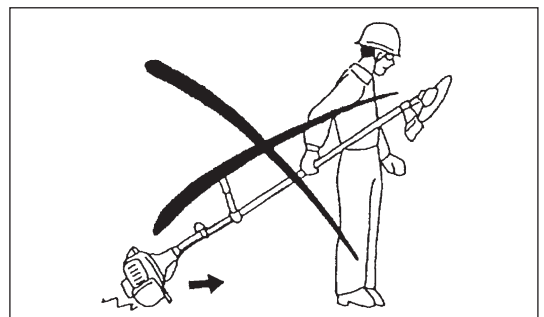
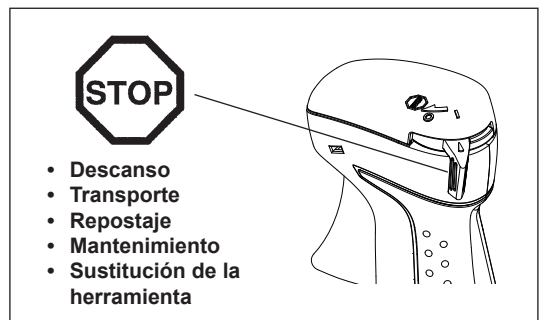
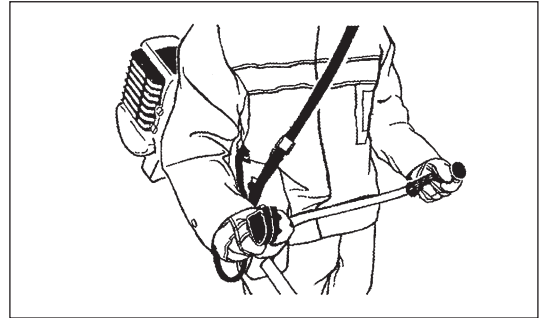
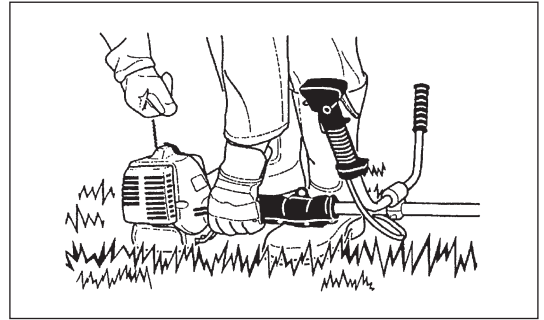


Ponga en marcha la desbrozadora únicamente de acuerdo con las instrucciones.

- No utilice ningún otro método para poner en marcha el motor.
- Utilice la desbrozadora y las herramientas solamente para las aplicaciones especificadas.
- Ponga en marcha el motor únicamente después de montar todo el conjunto. Solamente se permite utilizar el dispositivo después de conectar todos los accesorios adecuados.
- Antes de la puesta en marcha, asegúrese de que la herramienta de corte no esté en contacto con objetos duros tales como ramas, piedras, etc. ya que la herramienta de corte girará al poner en marcha la máquina.
- El motor se debe apagar inmediatamente si experimenta algún problema.
- Si la herramienta de corte golpea piedras u otros objetos duros, apague el motor inmediatamente e inspecciónela.
- Inspeccione periódicamente la herramienta de corte para comprobar si hay daños (compruebe si hay grietas finas mediante pruebas de sonido).
- Si el equipo recibe un fuerte impacto o cae, compruebe su estado antes de continuar con el trabajo. Compruebe si hay fugas en el sistema de combustible y si los dispositivos de seguridad funcionan correctamente. Si hay daños o en caso de duda, solicite a nuestro centro de servicio autorizado que realice una inspección y reparación.
- Utilice el equipo únicamente con el arnés de hombro asegurado, que se debe ajustar correctamente antes de poner en marcha la desbrozadora. Es muy importante ajustar el arnés de hombro de acuerdo con la talla del usuario para evitar la fatiga durante el uso. Nunca sujete la herramienta de corte con una mano durante el uso.
- Durante las operaciones, sujete siempre la desbrozadora con ambas manos. Asegúrese siempre de que sus pies se encuentran en una posición segura.
- Utilice el equipo de forma que no inhale los gases de escape. Nunca haga funcionar el motor en lugares cerrados (riesgo de envenenamiento por gas). El monóxido de carbono es un gas inodoro.
- Apague el motor cuando descanse y cuando deje el equipo sin atender, y deje la herramienta en un lugar seguro para evitar un peligro para otras personas o que se dañe la herramienta.
- No deje nunca la desbrozadora caliente sobre hierba seca o materiales combustibles.
- Instale siempre la protección de la herramienta de corte aprobada en el equipo antes de poner en marcha el motor. De lo contrario, el contacto con la herramienta de corte puede provocar lesiones graves.
- Todas las piezas de protección y las protecciones suministradas con la máquina deben utilizarse durante el funcionamiento.
- Nunca haga funcionar el motor con un silenciador de escape defectuoso.
- Apague el motor durante el transporte.
- Cuando transporte el equipo, acople siempre la cubierta a la cuchilla de metal.
- Asegúrese de que el equipo esté en una posición segura durante el transporte en un vehículo para evitar fugas de combustible.
- Durante el transporte, asegúrese de que el depósito de combustible esté completamente vacío.
- Cuando descargue el equipo de un camión, nunca deje caer el motor al suelo, ya que se puede dañar gravemente el depósito de combustible.
- Excepto en caso de emergencia, nunca deje caer ni lance el equipo hacia el suelo, ya que el equipo se puede dañar gravemente.
- No olvide levantar todo el equipo del suelo cuando lo mueva. Arrastrar el depósito de combustible es muy peligroso y causará daños, fugas de combustible y posiblemente un incendio.

Repostaje

- Apague el motor durante el repostaje, manténgase alejado de las llamas y no fume.
- Evite el contacto de la piel con productos de aceite mineral. No inhale el vapor de combustible. Utilice siempre guantes de protección durante el repostaje. Cambie y limpie regularmente la ropa protectora.
- Tenga cuidado de no derramar combustible o aceite para evitar la contaminación del suelo (protección medioambiental). Limpie la desbrozadora inmediatamente después del derrame de combustible.
- Evite el contacto del combustible con su ropa. Cambie la ropa inmediatamente si se ha derramado combustible sobre ella (para evitar que la ropa se incendie).
- Inspeccione periódicamente la tapa del depósito de combustible para asegurarse de que se puede apretar firmemente y que no tiene fugas.
- Apriete con cuidado la tapa del depósito de combustible. Cambie de lugar para poner en marcha el motor (como mínimo a 3 metros de distancia del lugar de repostaje).
- Nunca reposte en lugares cerrados. Los vapores de combustible se acumulan a nivel del suelo (riesgo de explosiones).
- El combustible solamente se debe transportar y almacenar en recipientes homologados. Asegúrese de que el combustible almacenado no esté al alcance de los niños.



Método de trabajo

- Utilice la desbrozadora únicamente con buenas condiciones de iluminación y visibilidad. Durante el invierno tenga cuidado con las áreas húmedas o resbaladizas, hielo y nieve (riesgo de resbalar). Asegúrese siempre de que sus pies se encuentran en una posición segura.
- No corte nunca por encima de la altura de la cintura.
- Nunca se suba a una escalera.
- No se suba a árboles mientras realice la operación de corte.
- No trabaje nunca en superficies inestables.
- Elimine la arena, piedras, clavos, etc. que se encuentren en el área de trabajo. Los objetos extraños pueden dañar la herramienta de corte y provocar peligrosos contragolpes.
- Antes de comenzar a cortar, la herramienta de corte debe alcanzar la velocidad de trabajo completa.
- Cuando utilice cuchillas de metal, balancee la herramienta uniformemente en un semicírculo de derecha a izquierda, como si usara una guadaña. Si se atascan césped o ramas entre la herramienta de corte y la protección, detenga siempre el motor antes de la limpieza. De lo contrario, el contacto accidental con las cuchillas que están girando puede provocar lesiones graves.
- Descanse para evitar la pérdida de control causada por la fatiga. Recomendamos descansar de 10 a 20 minutos cada hora.

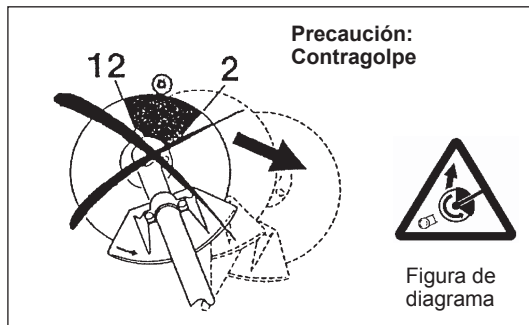


Herramientas de corte

- Utilice una herramienta de corte adecuada para el trabajo en cuestión. Los cabezales de corte de nylon (cabezales de corte de hilo) son adecuados para cortar césped. Las cuchillas de metal son adecuadas para cortar malas hierbas, hierbas altas, arbustos, maleza, sotobosque, matorrales y plantas similares. Nunca utilice otras cuchillas, incluyendo cadenas oscilantes de varias piezas de metal y cuchillas trilladoras. De lo contrario, puede sufrir lesiones graves.
- Cuando utilice cuchillas de metal, evite el “contragolpe” y esté siempre preparado para un contragolpe accidental. Consulte la sección “Contragolpe” y “Prevención de contragolpes”.

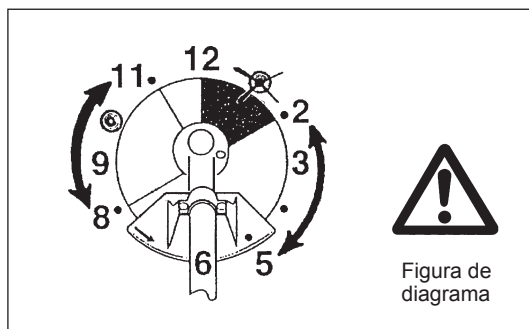
Contragolpe (empuje de la cuchilla)

- El contragolpe (empuje de la cuchilla) es una reacción repentina a una cuchilla de metal atrapada o forzada. Cuando se produzca, el equipo saldrá despedido lateralmente o hacia el operario con una gran fuerza y puede causar lesiones graves.
- El contragolpe se produce específicamente cuando se aplica el segmento de la cuchilla entre las 12 y las 2 en punto a elementos sólidos, arbustos y árboles con un diámetro de 3 cm o superior.
- Para evitar contragolpes:
 - Aplique el segmento entre las 8 y las 11 en punto;
 - Nunca aplique el segmento entre las 12 y las 2 en punto;
 - Nunca aplique el segmento entre las 11 y las 12 en punto y entre las 2 y las 5 en punto; a menos que el operario tenga una buena formación y experiencia y lo haga bajo su propio riesgo;
 - Nunca utilice cuchillas de metal cerca de elementos sólidos, como vallas, troncos de árboles y piedras;
 - Nunca utilice las cuchillas de metal verticalmente para operaciones tales como canteado o cortado de setos.



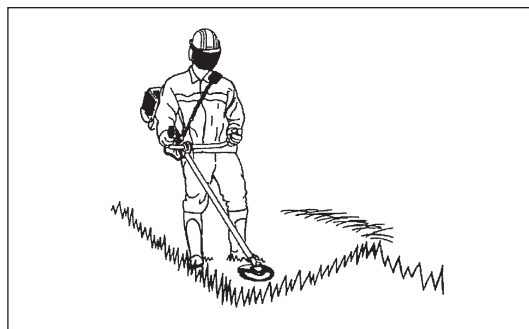
Vibración

- Las personas con problemas circulatorios que están expuestas a vibraciones excesivas pueden sufrir lesiones en los vasos sanguíneos o en el sistema nervioso. La vibración puede provocar los siguientes síntomas en los dedos, manos o muñecas: “adormecimiento”, hormigueo, dolor, sensación punzante, alteración del color de la piel o de la piel. Si sufre alguno de estos síntomas, acuda a un médico.
- Para reducir el riesgo de “enfermedad de dedos blancos”, mantenga las manos calientes durante el uso y realice un buen mantenimiento del equipo y los accesorios.



Instrucciones de mantenimiento

- Haga que su equipo sea sometido a tareas de mantenimiento en nuestro centro de servicio autorizado, utilizando siempre y de forma exclusiva recambios originales. Una reparación incorrecta y un mantenimiento deficiente pueden acortar la vida útil del equipo y aumentar el riesgo de accidentes.
- El estado de la desbrozadora, en concreto de la herramienta de corte, de los dispositivos protectores y también del arnés de hombro debe comprobarse antes de comenzar el trabajo. Debe prestarse especial atención a las cuchillas de metal, que deben estar afiladas correctamente.
- Apague el motor y quite el conector de la bujía cuando sustituya o afile las herramientas de corte y también cuando limpie la desbrozadora o la herramienta de corte.



Nunca enderece ni sude las herramientas de corte estropeadas.

- Preste atención al medioambiente. Evite el uso innecesario de la palanca de la mariposa de gases para reducir la contaminación y las emisiones de ruido. Ajuste el carburador correctamente.
- Limpie el equipo periódicamente y compruebe que todos los tornillos y tuercas estén bien apretados.
- Nunca repare o almacene el equipo cerca de llamas vivas.
- Guarde siempre el equipo en habitaciones cerradas con llave y con el depósito de combustible vacío.
- Durante la limpieza, el mantenimiento y el almacenamiento del equipo, acople siempre la cubierta a la cuchilla de metal.



Respete las instrucciones aplicables de prevención de accidentes emitidas por las compañías de seguros y las asociaciones comerciales relevantes.

No realice ninguna modificación en el equipo, ya que esto pondría en peligro su seguridad.

Los trabajos de mantenimiento o reparación que puede realizar el usuario se limitan a las actividades descritas en este manual de instrucciones. Todos los demás trabajos los realiza un agente de servicio autorizado. Utilice únicamente accesorios y piezas de repuesto genuinos suministrados por MAKITA.

El uso de accesorios y herramientas que no se hayan aprobado implica un mayor riesgo de accidentes.

MAKITA no acepta ninguna responsabilidad por los accidentes o los daños causados por el uso de herramientas de corte no aprobadas, por la reparación de las herramientas de corte o por accesorios.

Primeros auxilios

En caso de accidente, asegúrese de que cerca del lugar en el que se realicen las operaciones de corte esté disponible un botiquín de primeros auxilios. Reponga inmediatamente cualquier artículo que tome del botiquín de primeros auxilios.

Cuando solicite ayuda, proporcione la siguiente información:

- Lugar del accidente
- Qué ha ocurrido
- Número de personas heridas
- Tipo de lesiones
- Su nombre



Sólo para países europeos

Declaración de conformidad de la CE

Nosotros, **Makita Corporation**, en calidad de fabricante responsable, declaramos que las siguientes máquinas Makita:

Designación de la máquina: Desbrozadora

Nº de modelo/ Tipo: EM4351UH, EM4350UH, EM4350LH

Especificaciones: consulte la tabla "DATOS TÉCNICOS"

son de producción serie y

Cumplen con las siguientes Directivas europeas:

2000/14/CE, 2006/42/CE

Y se han fabricado de acuerdo con los siguientes estándares o documentos estandarizados:

EN ISO 11806-1

La documentación técnica la conserva nuestro representante autorizado en Europa, que es:

Makita International Europe Ltd.,

Michigan Drive, Tongwell, Milton Keynes, Bucks MK15 8JD, Inglaterra

El procedimiento de evaluación de conformidad requerido por la Directiva 2000/14/CE se realizó de acuerdo con el anexo V.

EM4351UH:

Nivel de potencia sonora medido: 111,9 dB

Nivel de potencia sonora garantizado: 113 dB

EM4350UH:

Nivel de potencia sonora medido: 112,1 dB

Nivel de potencia sonora garantizado: 113 dB

EM4350LH:

Nivel de potencia sonora medido: 110,7 dB

Nivel de potencia sonora garantizado: 112 dB

8. 9. 2011

Tomoyasu Kato
Director

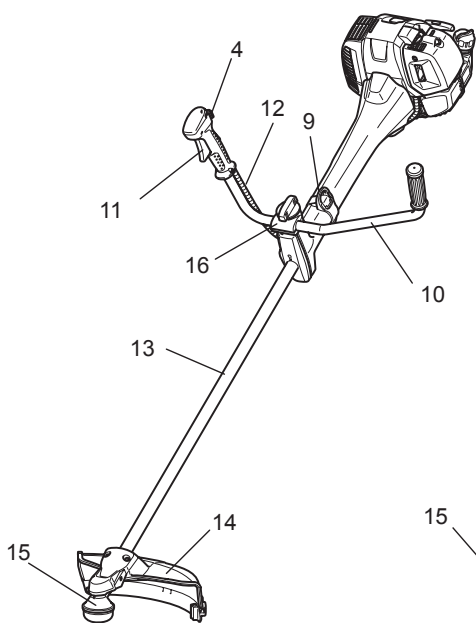
Makita Corporation
3-11-8, Sumiyoshi-cho,
Anjo, Aichi, JAPAN

DATOS TÉCNICOS EM4351UH, EM4350UH, EM4350LH

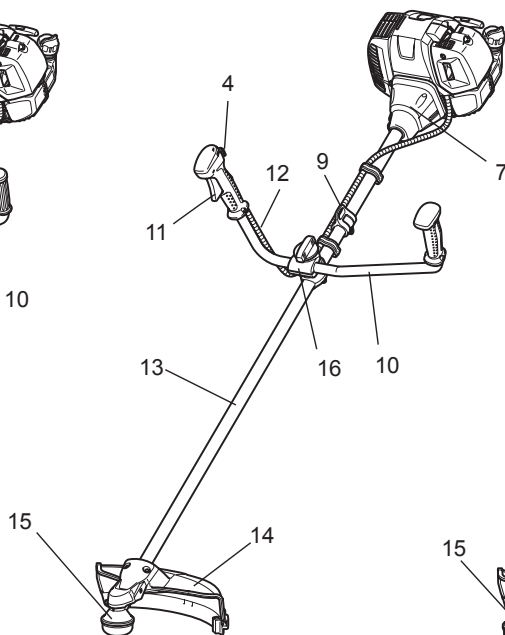
Modelo			EM4351UH	EM4350UH	EM4350LH				
Tipo de asidero			Asidero de motocicleta	Asidero de motocicleta	Asidero circular				
Dimensiones: largo x ancho x alto (sin herramienta de corte)		mm	1.812 x 618 x 528	1.812 x 635 x 460	1.812 x 339 x 250				
Peso (sin protector de plástico ni herramienta de corte)		kg	8,6	8,3	7,9				
Volumen (depósito de combustible)		L	0,6						
Volumen (depósito de aceite)		L	0,1						
Cilindrada del motor		cm ³	43,0						
Potencia máxima del motor		kW	1,5 a 7.500 min ⁻¹						
Velocidad del motor a la velocidad máxima recomendada del husillo		min ⁻¹	10.500						
Velocidad máxima del husillo (correspondiente)		min ⁻¹	7.200						
Velocidad de ralentí		min ⁻¹	3.000						
Velocidad de acoplamiento de embrague		min ⁻¹	4.000						
Carburador			Tipo de diafragma						
Sistema de encendido			Sin contacto, tipo magnético						
Bujía		tipo	NGK CMR6A						
Separación entre electrodos		mm	0,7 - 0,8						
			CUCHILLA DE CORTE	CABEZAL DE CORTE DE NYLON	CUCHILLA DE CORTE	CABEZAL DE CORTE DE NYLON	CUCHILLA DE CORTE	CABEZAL DE CORTE DE NYLON	
Vibración de acuerdo con ISO 22867	Asidero derecho (Empuñadura trasera)	$a_{hv\ eq}$	m/s ²	2,2	2,1	3,1	3,5	4,2	2,6
		Incertidumbre K	m/s ²	0,5	0,6	0,5	0,8	1,1	0,7
	Asidero izquierdo (Empuñadura delantera)	$a_{hv\ eq}$	m/s ²	1,7	2,0	4,8	4,0	3,8	3,7
		Incertidumbre K	m/s ²	0,5	0,5	2,9	0,9	1,0	1,4
Nivel de presión acústica media según ISO 22868		$L_{PA\ eq}$	dBA	92,4	96,2	91,2	96,1	92,8	94,9
		Incertidumbre K	dBA	1,8	2,0	2,2	1,6	1,6	2,1
Nivel de potencia acústica media según ISO 22868		$L_{WA\ eq}$	dBA	101,8	108,9	103,1	109,1	103,4	107,7
		Incertidumbre K	dBA	1,8	1,4	1,1	1,1	1,5	1,2
Combustible			Gasolina de automoción (gasolina)						
Aceite de motor			Aceite de clasificación API, clase SF o superior, SAE 10W-30 (aceite para motor de 4 tiempos de automoción)						
Herramientas de corte (diám. de la cuchilla de corte)		mm	305 (con tres cuchillas)						
Relación de engranajes			13/19						

DENOMINACIÓN DE LAS PIEZAS

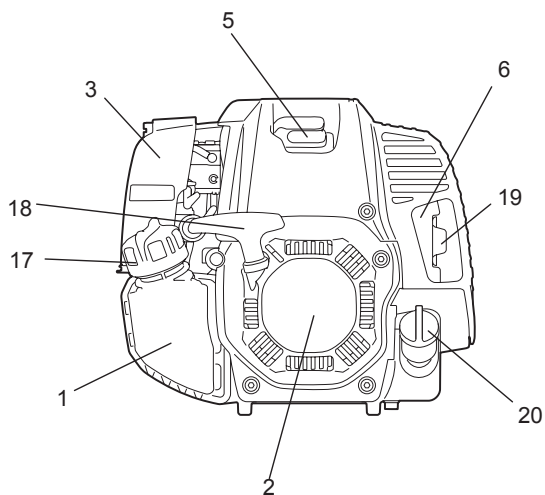
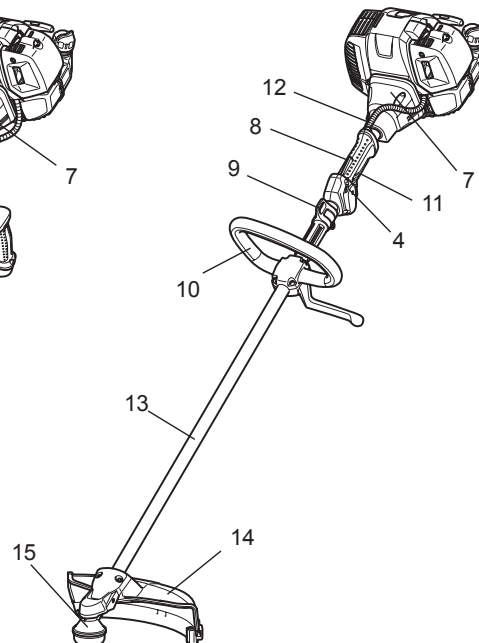
EM4351UH



EM4350UH



EM4350LH



E	DENOMINACIÓN DE LAS PIEZAS
1	Depósito de combustible
2	Arrancador de retroceso
3	Filtro de aire
4	Interruptor I-O y de bloqueo de la mariposa de gases (encendido/apagado)
5	Bujía
6	Silenciador de escape
7	Caja del embrague
8	Empuñadura trasera
9	Gancho
10	Asidero
11	Palanca de la mariposa de gases
12	Cable de control
13	Eje
14	Protector (protección de la herramienta de corte)
15	Caja de engranajes/Caja del cabezal
16	Agarre del asidero
17	Tapa del depósito de combustible
18	Empuñadura de arranque
19	Tubo de escape
20	Tapa de aceite

MONTAJE DEL ASIDERO

PRECAUCIÓN: Antes de realizar un trabajo en el equipo, detenga siempre el motor y desconecte el conector de la bujía.

Utilice siempre guantes de protección.

PRECAUCIÓN: Ponga en marcha el motor únicamente después de haberlo montado completamente.

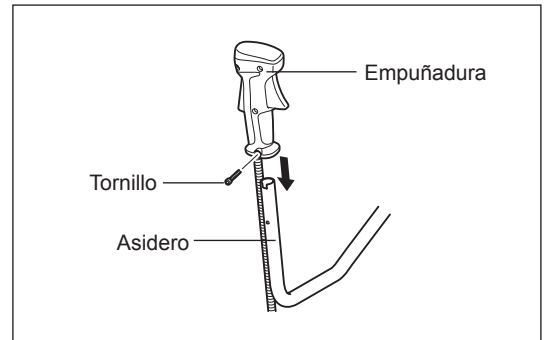


Para el modelo EM4351UH, EM4350UH

Inserte el eje del asidero en la empuñadura tal y como se muestra.

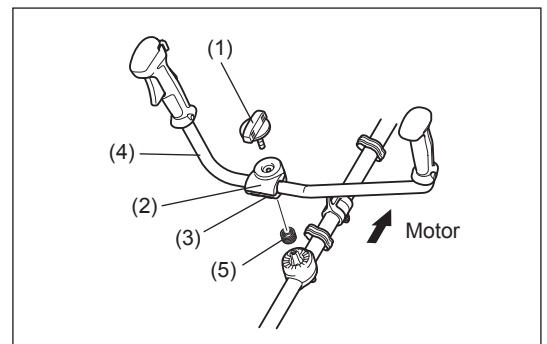
Alinee el orificio del tornillo de la empuñadura con el del eje.

Apriete el tornillo firmemente.



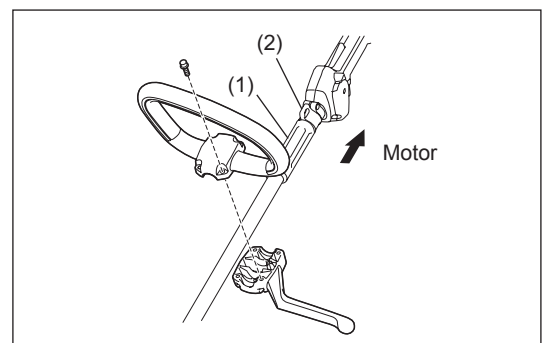
- Afloje el pomo (1).
- Coloque el asidero (4) entre la abrazadera del asidero (2) y el agarre del asidero (3).
- Ajuste el asidero (4) en un ángulo que proporcione una posición de trabajo cómoda y, a continuación, apriételo firmemente apretando a mano el pomo (1).

PRECAUCIÓN: No olvide montar el muelle (5).



Para el modelo EM4350LH

- Fije el asidero circular en el eje tal con cuatro tornillos.
- Para mantener una distancia adecuada entre las empuñaduras, coloque el espaciador (1) entre el asidero circular y el gancho (2).



MONTAJE DEL PROTECTOR

Para cumplir con las disposiciones de seguridad apropiadas, solamente se deben utilizar las combinaciones de herramienta/ protector indicadas en la tabla.



Asegúrese de utilizar cuchillas de metal auténticas de MAKITA (incluyendo la cuchilla de sierra y la cuchilla de corte) o el cabezal de corte de nylon.

- La cuchilla de metal deberá estar afilada, sin grietas ni roturas. Si la cuchilla de metal golpea una piedra durante el uso, detenga la herramienta y compruebe la cuchilla inmediatamente.
- Afile o reemplace la cuchilla de metal cada tres horas de funcionamiento.
- Si el cabezal de corte de nylon golpea una piedra durante el uso, detenga la herramienta y compruebe la cabeza de corte de nylon inmediatamente.

PRECAUCIÓN: Siempre debe estar instalado el protector adecuado por su propia seguridad y para cumplir con las normativas de prevención de accidentes.

No se permite la utilización del equipo sin la protección montada.

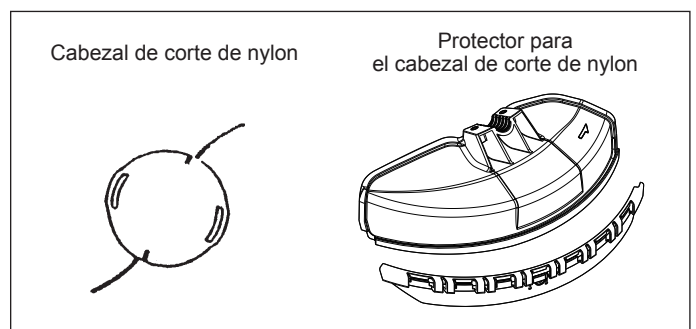
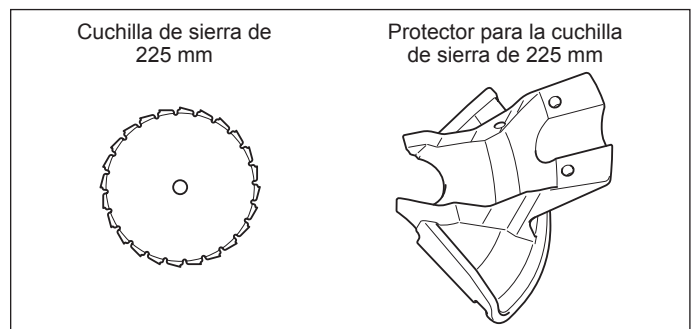
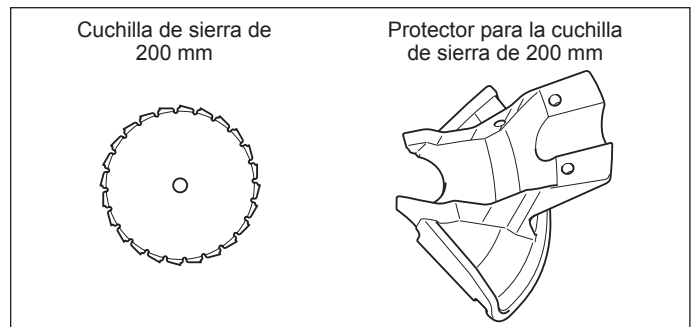
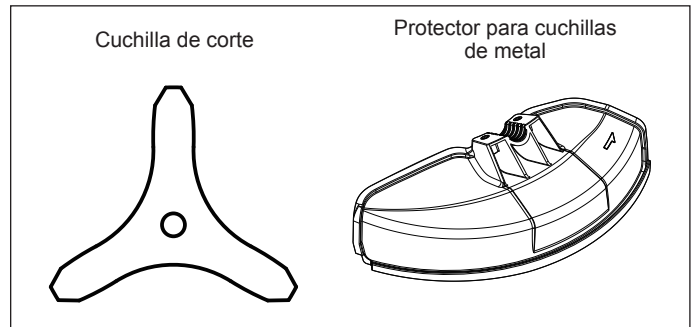
El diámetro exterior de la cuchilla de corte debe ser de 300 mm (12") o inferior. Nunca utilice cuchillas que tengan un diámetro exterior superior a 300 mm (12").

Utilice el protector para la cuchilla de sierra de 200 mm solamente cuando utilice una cuchilla de sierra de 200 mm.

Utilice el protector para la cuchilla de sierra de 225 mm solamente cuando utilice una cuchilla de sierra de 225 mm.

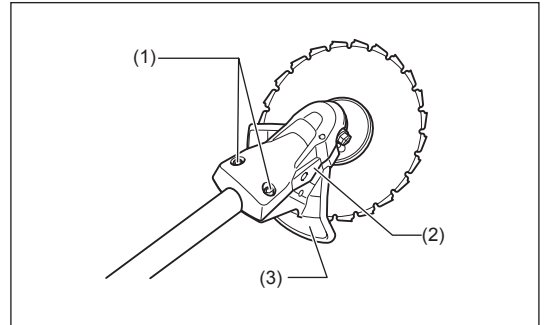
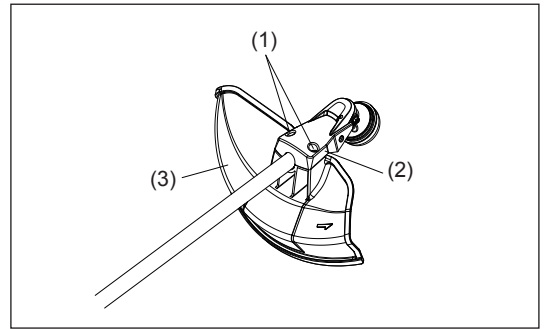
No aplique ninguna otra combinación cuando utilice una cuchilla de sierra.

NOTA: La combinación estándar de herramienta de corte difiere de un país a otro.



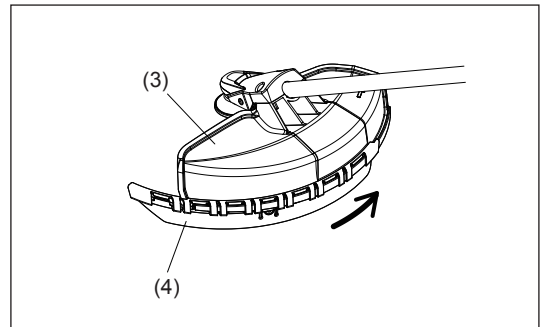
- Cuando utilice la cuchilla de metal, fije el protector (3) a la abrazadera (2) con dos pernos (1).

NOTA: Apriete los pernos derecho e izquierdo de forma uniforme para que la holgura entre la abrazadera (2) y el protector (3) sea constante. De lo contrario, es posible que en algunos casos no funcione según las especificaciones.

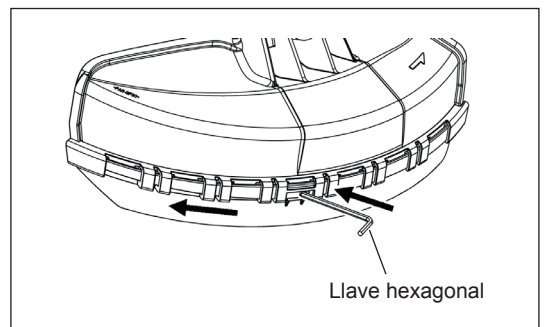


- Cuando vaya a utilizar un cabezal de corte de hilo de nylon, asegúrese de montar el protector del cabezal de corte de hilo de nylon (4) en el protector de la cuchilla de metal (3).
- Monte el protector del cabezal de corte del hilo de nylon (4) deslizándolo en su lugar desde el costado del protector de la cuchilla de metal (3) como se muestra.
- Retire la cinta adherida al cabezal de corte, que corta el cable de nylon, en el protector de del cabezal de corte de nylon (4).

PRECAUCIÓN: Asegúrese de empujar el protector del cabezal de corte de nylon (4) hasta que esté completamente insertado. Tenga cuidado de no herirse con el cabezal de corte para cortar el hilo de nylon.



- Para retirar el protector del cabezal de corte del hilo de nylon (4), utilice una llave hexagonal en la ranura del protector de la cuchilla de metal (3), empújelo y al mismo tiempo deslice el protector del cabezal de corte del hilo de nylon (4).



MONTAJE DE LA CUCHILLA DE METAL O DEL CABEZAL DE CORTE DE NYLON

Asegúrese de utilizar cuchillas de metal o cabezales de corte de nylon originales de MAKITA.

- La cuchilla de metal deberá estar afilada, sin grietas ni roturas. Si la cuchilla de metal golpea una piedra durante el uso, detenga la herramienta y compruebe la cuchilla inmediatamente.
- Afile o reemplace la cuchilla de metal cada tres horas de funcionamiento.
- Si el cabezal de corte de nylon golpea una piedra durante el uso, detenga la herramienta y compruebe la cabezal de corte de nylon inmediatamente.

PRECAUCIÓN: Siempre debe estar instalado el protector adecuado por su propia seguridad y para cumplir con las normativas de prevención de accidentes.

No se permite la utilización del equipo sin la protección montada.

El diámetro exterior de la cuchilla de corte debe ser de 300 mm (12") o inferior. Nunca utilice cuchillas que tengan un diámetro exterior superior a 300 mm (12").

Coloque la máquina boca arriba y podrá sustituir la cuchilla de metal o el cabezal de corte de nylon fácilmente.

- Inserte la llave hexagonal en el orificio de la caja de engranajes y gire la arandela de apoyo (4) hasta que quede bloqueada con la llave hexagonal.
- Afloje la tuerca (1) (rosca hacia la izquierda) con la llave de vaso y retire la tuerca (1), copa (2) y la arandela de apriete (3).

Montaje de la cuchilla de metal con la llave hexagonal aún colocada

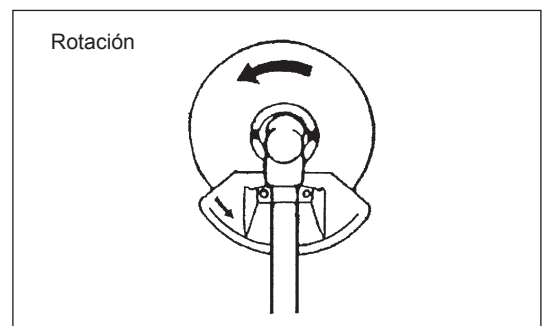
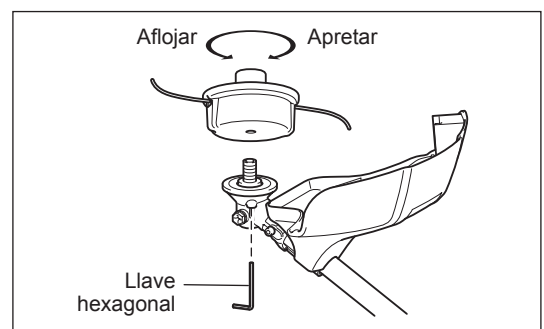
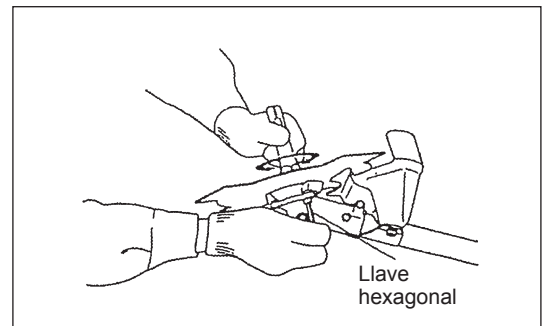
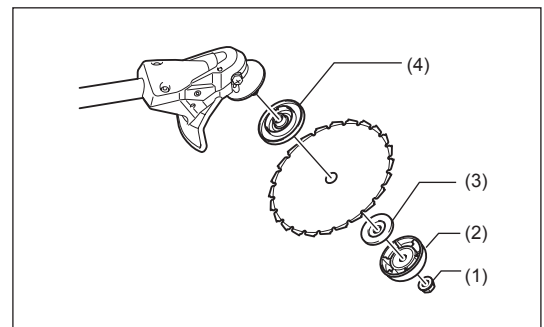
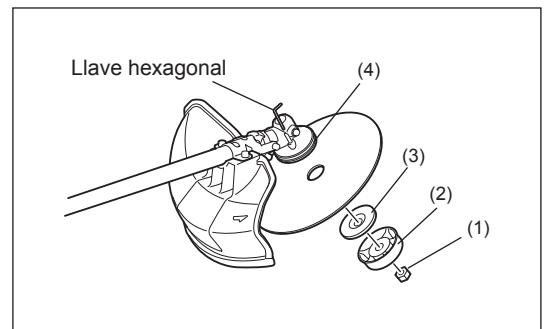
- Monte la cuchilla de metal en el eje para que la guía de la arandela de apoyo (4) se ajuste al orificio del eje de la cuchilla de metal. Instale la arandela de apriete (3), la copa (2) y fije la cuchilla de metal con la tuerca (1).
[Par de apriete: 20 - 30 N-m]

NOTA: Utilice siempre guantes cuando maneje la cuchilla de metal.

NOTA: La tuerca de apriete de la cuchilla de metal (con una arandela con muelle) es una parte desechable. Si se aprecia algún desgaste o deformación en la arandela de muelle, reemplace la tuerca.

Montaje del cabezal de corte de nylon

- La arandela de apriete (3), la copa (2) y la tuerca (1) no son necesarias para montar el cabezal de corte de nylon. El cabezal de corte de nylon debe colocarse encima de la arandela de apoyo (4).
- Inserte la llave hexagonal en el orificio de la caja de engranajes y gire la arandela de apoyo (4) hasta que quede bloqueada con la llave hexagonal.
- A continuación, enrosque el cabezal de corte de nylon en el eje girándolo en el sentido contrario a las agujas del reloj.
- Retire la llave hexagonal.



ANTES DEL USO

Inspección y rellenado del aceite de motor

- Realice el siguiente procedimiento con el motor frío.
- Asegúrese de que el motor esté en una superficie horizontal plana y confirme si el nivel de aceite está entre el límite inferior o superior del indicador de aceite.
- Si el nivel de aceite está por debajo del límite inferior, retire la tapa de aceite y añada aceite.
- El área que rodea las marcas externas es transparente, por lo que la cantidad de aceite se puede comprobar sin tener que retirar la tapa de aceite. No obstante, si el tubo de aceite está extremadamente sucio, la visibilidad puede ser nula y el nivel de aceite se tendrá que comprobar con la sección graduada del interior del tubo de aceite.
- Puede tener que rellenar aceite aproximadamente cada 10 horas de uso (cada 10 repostajes). Si el aceite cambia de color o se mezcla con suciedad, sustitúyalo con uno nuevo. (Para conocer el intervalo y el método de sustitución, consulte la P 152)

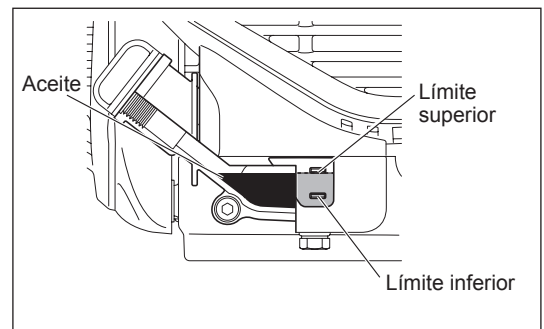
Aceite recomendado: Aceite SAE 10W-30 de Clasificación API, Clase SF o superior (motor de 4 tiempos para automoción)

Volumen de aceite: Aprox. 0,10 L

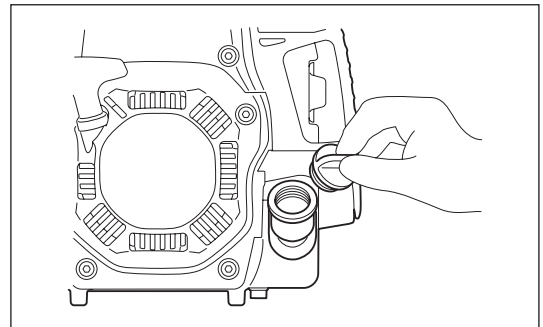
NOTA: Si el motor no se coloca tal y como se indica en la ilustración, en una superficie horizontal, puede producirse una indicación del nivel de aceite inexacta y puede superarse el nivel de llenado de aceite. Si se rellena por encima del límite superior se puede provocar contaminación de aceite y/o humo blanco.

Sustitución del aceite: “Tapa de aceite”

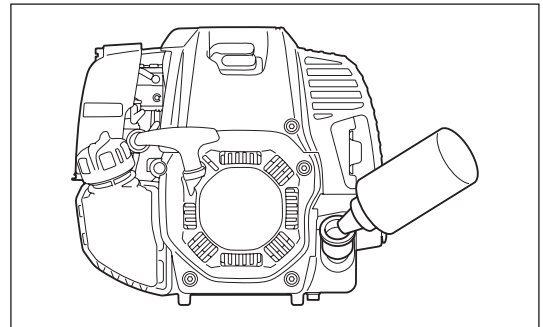
- Retire el polvo o la suciedad de alrededor de la abertura de rellenado de aceite y extraiga la tapa de aceite.
- Mantenga la tapa de aceite libre de tierra o suciedad. De lo contrario, la tierra o la suciedad que se adhieran a la tapa de aceite pueden causar una circulación irregular de aceite o un desgaste en las piezas del motor, lo que puede provocar problemas.



(1) Mantenga el motor nivelado y extraiga la tapa de aceite.



(2) Rellene aceite hasta la marca de límite superior. Utilice una botella de aceite cuando rellene.



(3) Apriete firmemente la tapa de aceite. Un apriete insuficiente puede causar fugas de aceite.

Nota

- No rellene aceite con el motor en una posición inclinada.
- Si se rellena aceite con el motor inclinado se producirá un exceso de llenado, que provocará contaminación por aceite y/o humo blanco.

Tras el rellenado de aceite

- Limpie con un trapo el aceite derramado de forma inmediata.

REPOSTAJE

Manejo del combustible

Tenga el máximo cuidado cuando maneje el combustible. El combustible puede contener sustancias similares a los disolventes. Reposte en una habitación bien ventilada o al aire libre. No inhale el vapor de combustible y evite cualquier contacto con el combustible. El contacto prolongado de la piel con estos productos hará que la piel se reseque, lo que puede provocar enfermedades en la piel o alergias. Si el combustible entra en contacto con los ojos, límpielos con agua potable. Si sus ojos siguen irritados, acuda inmediatamente a un médico.

Período de almacenamiento del combustible

El combustible debe utilizarse en un período de 4 semanas, aunque se conserve en un contenedor especial a la sombra en una zona bien ventilada.

De lo contrario, el combustible se puede deteriorar en un día.

ALMACENAMIENTO DE LA MÁQUINA Y DEL DEPÓSITO DE RELLENADO

- Mantenga la máquina y el depósito en un lugar fresco alejado de la luz directa del sol.
- Nunca guarde combustible en un vehículo.

Combustible

El motor es un motor de cuatro tiempos. Asegúrese de utilizar gasolina de automoción sin plomo de 87 octanos o más ((R+M)/2). No puede contener más de un 10% de alcohol (E-10).

Observaciones sobre el combustible

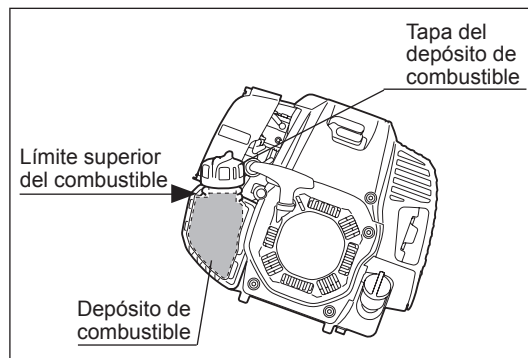
- Nunca utilice una mezcla de gasolina que contenga aceite de motor. De lo contrario, provocará una acumulación excesiva de carbonilla o problemas mecánicos.
- El uso de aceite deteriorado provocará un arranque irregular.

Repostaje

ADVERTENCIA: Apague el motor antes del repostaje, manténgase alejado de las llamas y no fume.

- Afloje la tapa del depósito un poco para reducir la presión del depósito.
- Suelte la tapa del depósito y reposte, descargando el aire inclinando el depósito de combustible de forma que la abertura de repostaje esté orientada hacia arriba. NO rellene combustible hasta la parte superior del depósito.
- Limpie bien la parte exterior del depósito de combustible para evitar que entren objetos extraños en el depósito de combustible.
- Tras el repostaje, apriete firmemente la tapa del depósito.

- Si hay defectos o daños en la tapa del depósito, sustitúyala.
- La tapa del depósito se desgasta con el paso del tiempo. Sustitúyala cada dos o tres años.
- NO rellene combustible en la abertura de rellenado de aceite.



MANEJO CORRECTO DE LA MÁQUINA

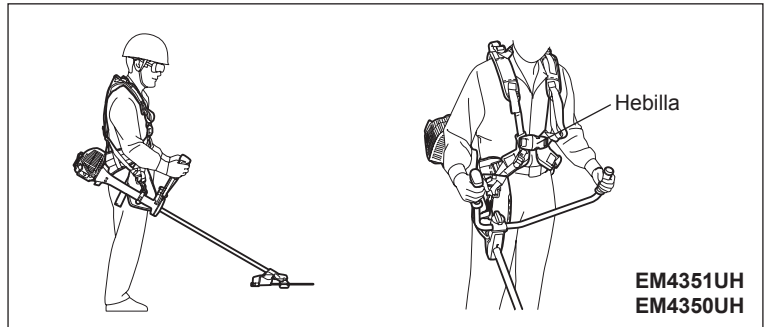
Instalación del arnés para el hombro

- Ajuste la longitud de la correa para el hombro de forma que la cuchilla de metal quede paralela al suelo.

Para EM4351UH, EM4350UH

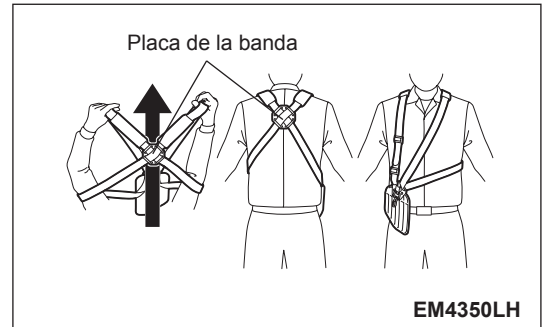
Sujete el arnés en su espalda, acóplelo con la hebilla y ajuste la longitud de las bandas.

NOTA: Tenga cuidado de que la ropa, etc. no quede atrapada en la hebilla.



Para EM4350LH

- 1) Permanezca de pie y acerque la placa de la banda hacia usted. Haga pasar sus brazos y la cabeza por la banda.
- 2) La placa de la banda descansa sobre su espalda y los elementos de ajuste y el gancho están en el lado derecho de su cuerpo si coloca correctamente el arnés.



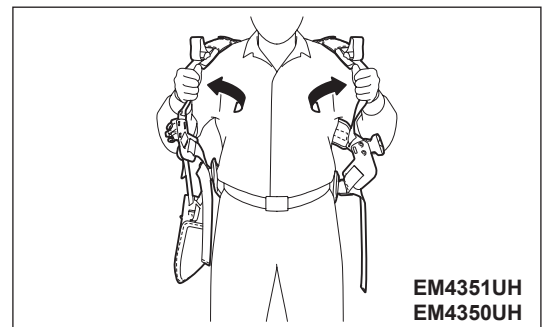
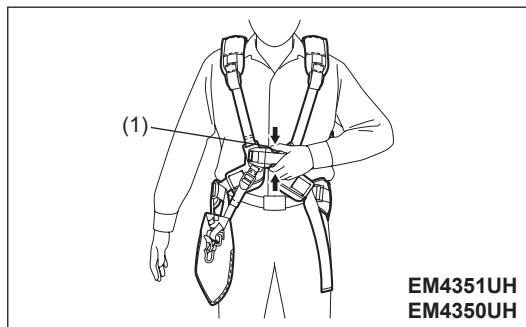
Liberación de la máquina

Para EM4351UH, EM4350UH

- Para liberar la máquina, apriete los lados de la hebilla (1) y retire el arnés de hombro.

Tenga mucho cuidado para mantener el control de la máquina en ese momento. No permita que la máquina se desvíe hacia usted o hacia cualquiera que se encuentre cerca de usted.

ADVERTENCIA: Si no se mantiene un control completo de la máquina, se pueden causar lesiones corporales graves o la MUERTE.

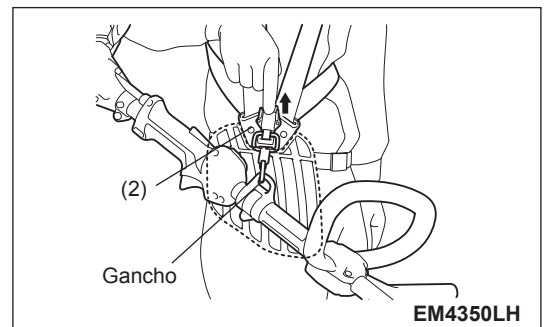


Para EM4350LH

- Para liberar la máquina, accione la palanca de desacoplamiento de emergencia (2) tirando firmemente con los dedos.

Tenga mucho cuidado para mantener el control de la máquina en ese momento. No permita que la máquina se desvíe hacia usted o hacia cualquiera que se encuentre cerca de usted.

ADVERTENCIA: Si no se mantiene un control completo de la máquina, se pueden causar lesiones corporales graves o la MUERTE.



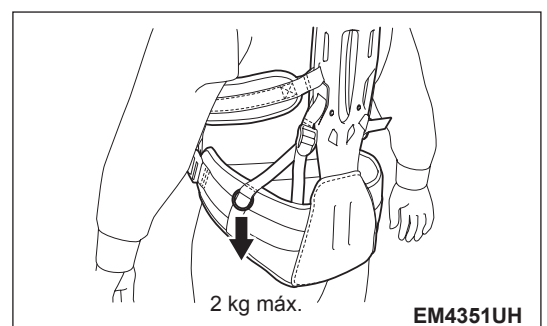
Anillo para el colgado

Para EM4351UH

- Puede utilizar la anilla para colgar un objeto con un peso inferior a 2 kg (4,4 lb).

AVISO: No cuelgue ningún objeto que pese más de 2 kg (4,4 lb) en la anilla. Cualquier objeto más pesado que se cuelgue en la anilla puede provocar que ceda y el elemento se puede dañar.

PRECAUCIÓN: No cuelgue en la anilla ningún objeto que se pueda enganchar en arbustos o maleza. Al engancharse, pueden provocar una pérdida del equilibrio y el control, lo que causaría lesiones personales.



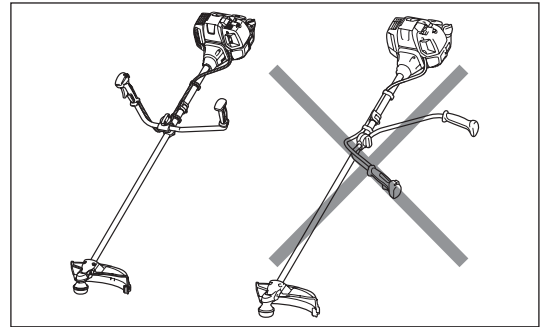
ASPECTOS DEL MANEJO Y CÓMO PARAR LA MÁQUINA

Respete las normativas de prevención de accidentes en vigor.



Antes de poner en marcha el motor, ajuste siempre el asidero en la posición correcta.

De lo contrario, la herramienta de corte puede girar repentinamente y provocar lesiones, ya que se puede tirar del cable de la mariposa de gases o se puede doblar y se puede abrir la mariposa de gases.

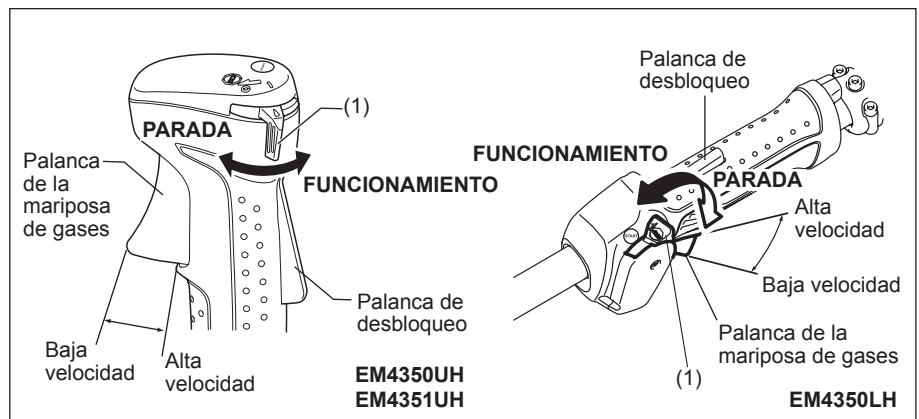


ARRANQUE

Aléjese 3 m como mínimo del lugar de repostaje. Coloque la unidad en el suelo, teniendo cuidado de que la herramienta de corte no entre en contacto con el suelo o con otros objetos.

A: Arranque en frío

- 1) Coloque la máquina sobre una superficie plana.
- 2) Ajuste el interruptor I-O (1) en FUNCIONAMIENTO.



- 3) Palanca del estrangulador

Cierre la palanca del estrangulador.

Apertura del estrangulador:

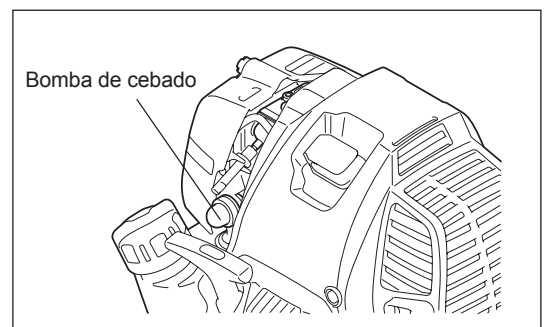
- Totalmente cerrado en temperaturas frías o cuando el motor está frío.
- Apertura completa o media si el motor está un poco caliente, como cuando se vuelve a poner en marcha el motor tras detenerlo durante la operación de calentamiento.



- 4) Bomba de cebado

Siga accionando la bomba de cebado hasta que el combustible entre en ella. (En general, púlsela de 7 a 10 veces.)

Si se acciona la bomba de cebado en exceso, el exceso de gasolina vuelve al depósito de combustible.

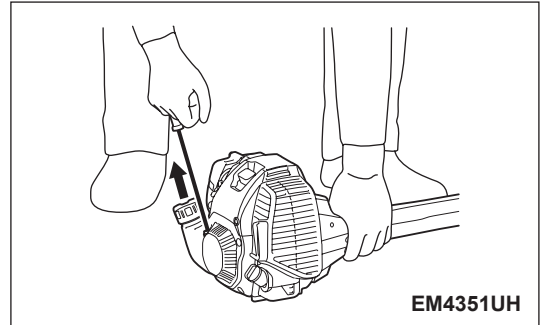
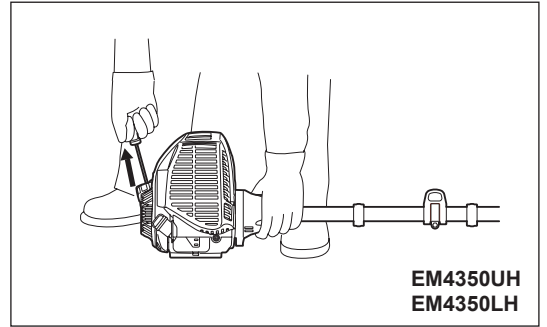


5) Arrancador de retroceso

Asegúrese de estar siempre en una posición bien equilibrada. Sujete la unidad con su mano izquierda y presiónela firmemente.

PRECAUCIÓN: No permanezca sobre el cable de la mariposa de gases ni se arrodille sobre él. Se puede tirar del cable interno y la herramienta de corte puede empezar a girar accidentalmente.
No abra la mariposa de gases.

Tire de la empuñadura de arranque suavemente hasta que note cierta resistencia. A continuación, devuelva la empuñadura de arranque a su posición y tire con fuerza de ella. Nunca tire por completo de la cuerda de arranque. Cuando haya tirado de la empuñadura de arranque, no la suelte inmediatamente. Sujete la empuñadura de arranque hasta que vuelva a su posición original.



6) Palanca del estrangulador

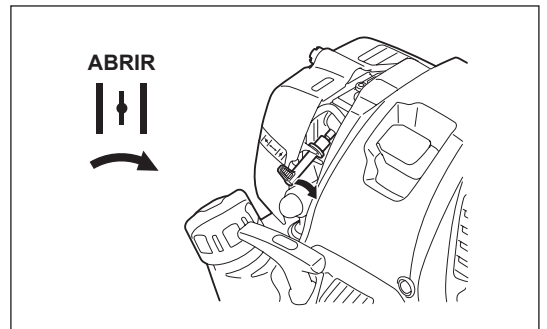
Cuando haya puesto en marcha el motor, ajuste la palanca del estrangulador en la posición ABRIR.

- Abra la palanca del estrangulador gradualmente mientras comprueba el funcionamiento del motor. Asegúrese de abrir la palanca de estrangulador al completo.
- En frío o cuando el motor se haya enfriado, nunca accione la palanca del estrangulador repentinamente. De lo contrario, el motor puede pararse.

7) Operación de calentamiento

Continúe con la operación de calentamiento durante 2 ó 3 minutos.

AVISO: No tire de la palanca de la mariposa de gases innecesariamente cuando el motor no esté en marcha. Puede provocar una fuga de combustible del filtro de aire. En ese caso, limpie el combustible derramado. Asimismo, abra la cubierta del filtro de aire, limpie el elemento y la placa del filtro de aire.



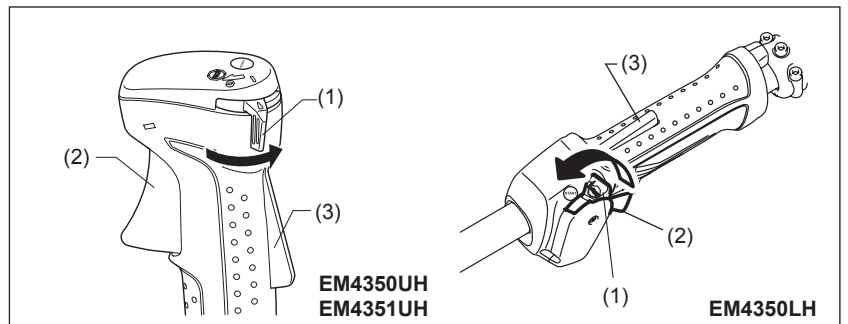
NOTA:

- No tire de la palanca de la mariposa de gases innecesariamente cuando el motor no esté en marcha. Puede provocar una inundación de combustible en el motor, lo que puede dificultar su puesta en marcha.
- Si se produce una entrada excesiva de combustible, extraiga la bujía y tire lentamente de la empuñadura de arranque para eliminar el exceso de combustible. Asimismo, seque la sección del electrodo de la bujía.
- Si el motor arranca y se para o se para poco tiempo después de ponerse en marcha, devuelva la palanca del estrangulador a la posición ABRIR y tire de la empuñadura de arranque unas cuantas veces de nuevo para poner en marcha el motor.
- Si la palanca del estrangulador se coloca en la posición CERRAR y se tira repetidamente de la empuñadura de arranque, se succionará demasiado combustible y el motor tendrá dificultades para ponerse en marcha.
- No aumente las revoluciones del motor innecesariamente durante la operación de calentamiento.

B: Arranque en caliente

- 1) Mantenga la palanca del estrangulador completamente abierta.
- 2) Pulse la bomba de cebado repetidamente.
- 3) Mantenga la palanca de la mariposa de gases en la posición de ralentí.
- 4) Tire del arrancador de retroceso con fuerza.
- 5) Si resulta difícil poner en marcha el motor, suelte la palanca de desbloqueo (3), tire de la palanca de la mariposa de gases (2) y mueva el interruptor I-O (1) hasta la posición de bloqueo de la mariposa de gases. Mientras sujeta el interruptor I-O (1), suelte la palanca de la mariposa de gases (2) y la palanca de desbloqueo (3). A continuación, tire de la empuñadura de arranque.

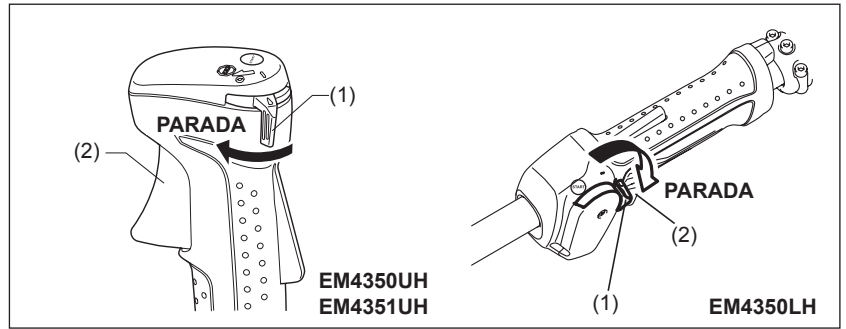
ADVERTENCIA: Tenga en cuenta que la herramienta de corte gira inmediatamente.



- 6) Cuando el motor se ponga en marcha, suelte la palanca de desbloqueo (3) y tire de la palanca de la mariposa de gases (2), a continuación, suéltelas para que el motor gire al ralentí.

PARADA

- 1) Suelte la palanca de la mariposa de gases (2) completamente y, cuando se hayan reducido las RPM del motor, ajuste el interruptor I-O (1) en la posición PARADA (STOP) para detener el motor.
- 2) La herramienta de corte sigue girando un rato tras parar el motor. Espere hasta que se detenga completamente.

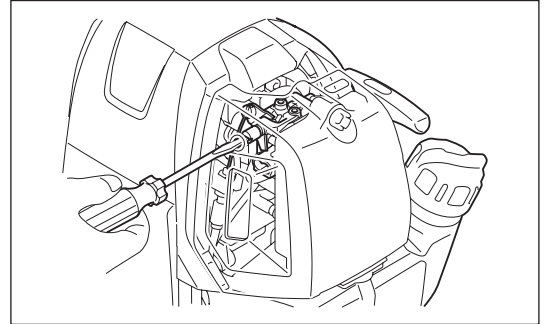


AJUSTE DE LA VELOCIDAD DE RALENTÍ

Cuando sea necesario ajustar la velocidad de ralentí, hágalo mediante el tornillo de ajuste del carburador.

COMPROBACIÓN DE LA VELOCIDAD DE RALENTÍ

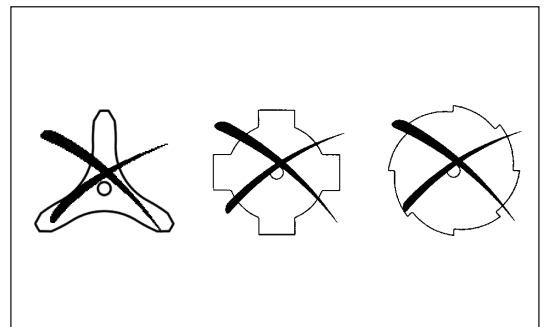
- Ajuste la velocidad de ralentí en 3.000 min⁻¹.
Si resulta necesario cambiar la velocidad de ralentí, utilice un destornillador de punta Phillips en el tornillo que se muestra en la ilustración de la derecha.
- Para aumentar la velocidad de ralentí, gire el tornillo de ajuste en el sentido de las agujas del reloj.
Para reducir la velocidad de ralentí, gire el tornillo de ajuste en el sentido contrario a las agujas del reloj.
- El carburador viene ajustado de fábrica. No obstante, tras varios usos, la velocidad de ralentí se debe reajustar.



AFILADO DE LA HERRAMIENTA DE CORTE

PRECAUCIÓN: Las herramientas de corte que se muestran en la ilustración no se deben afilar. El afilado manual causará desequilibrios en la herramienta de corte que provocarán vibraciones y daños en el equipo.

NOTA: Para aumentar la duración de la cuchilla de corte dé la vuelta a la cuchilla una vez para que se gasten ambos lados.



CABEZAL DE CORTE DE NYLON

El cabezal de corte de nylon es un cabezal de corte de hilo doble con mecanismos de sacudida y avance.

El cabezal de corte de nylon alargará la longitud correcta del hilo de nylon tras sacudir el cabezal de corte de nylon, gracias a los cambios de la fuerza centrífuga provocados por el aumento o la reducción de las rpm.

Funcionamiento

- Aumente la velocidad del cabezal de corte de nylon a aproximadamente 6.000 min⁻¹.
Sacuda el cabezal de corte de nylon suavemente contra el suelo.
- El área más efectiva de corte se muestra mediante el área sombreada.
- Si el hilo de nylon no se alarga correctamente, rebobínelo o sustitúyalo siguiendo los procedimientos descritos en "Reemplazo del hilo de nylon".



Reemplazo del hilo de nylon (SACUDIDA y AVANCE)

ADVERTENCIA: Asegúrese de que la cubierta del cabezal de corte de nylon esté fijada al alojamiento correctamente como se describe más abajo. Si la cubierta no se fija correctamente, el cabezal de corte de nylon puede salir despedido y provocar graves lesiones personales.

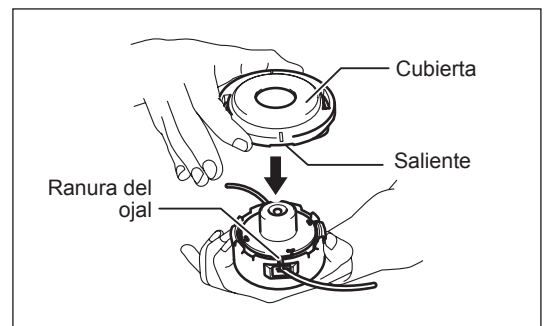
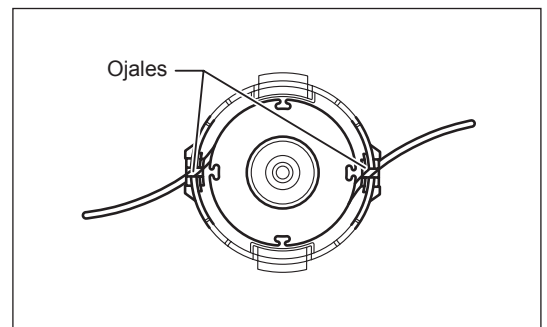
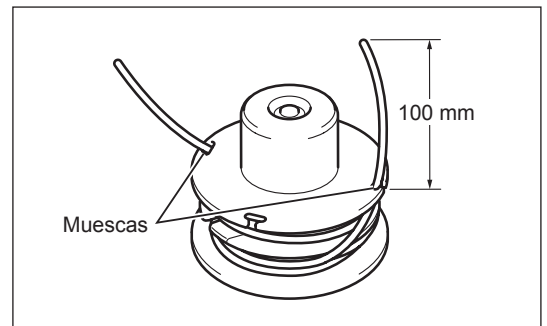
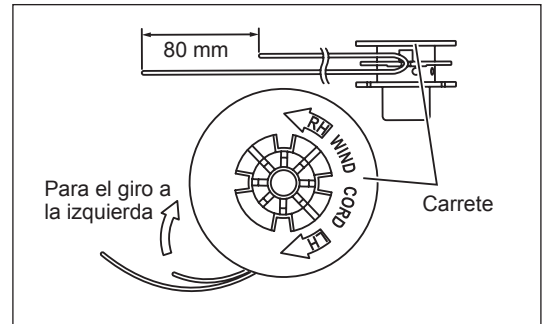
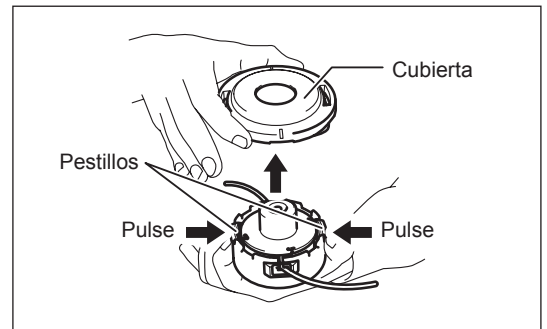
Presione hacia dentro los pestillos del alojamiento y tire hacia arriba para extraer la cubierta.
Descarte el hilo de nylon restante.

Enganche la mitad del nuevo hilo de nylon en la ranura que se encuentra en el centro del carrete entre los 2 canales proporcionados para el hilo de nylon. Un lado del hilo debe ser unos 80 mm más largo que el otro lado.
Enrolle ambos extremos firmemente alrededor del carrete en la dirección marcada en el cabezal para la dirección izquierda, indicada con LH.

Enrolle la totalidad del hilo, excepto unos 100 mm, dejando los extremos temporalmente enganchados alrededor de la muesca del lateral del carrete.

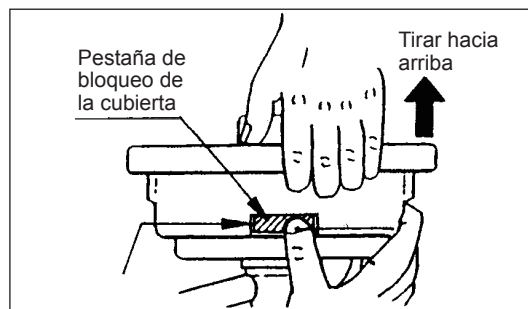
Monte el carrete en el alojamiento de forma que las ranuras y los salientes del carrete coincidan con los del alojamiento. Mantenga el lado con letras en el carrete visible hacia arriba. Ahora desenganche los extremos del hilo de su posición temporal y haga pasar los hilos por los ojales hasta que sobresalgan del alojamiento.

Alinee el saliente del lado inferior de la cubierta con las ranuras de los ojales. A continuación, presione firmemente la cubierta en el alojamiento para fijarla. Asegúrese de que los pestillos están totalmente extendidos en la cubierta.

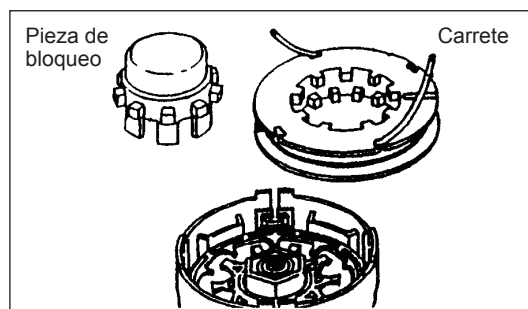


Reemplazo del hilo de nylon (ULTRA AUTO)

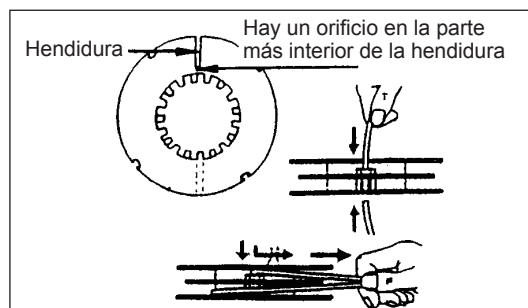
1. Extraiga la cubierta de su alojamiento pulsando las dos pestañas de bloqueo de la cubierta que se encuentran en lados opuestos del alojamiento.



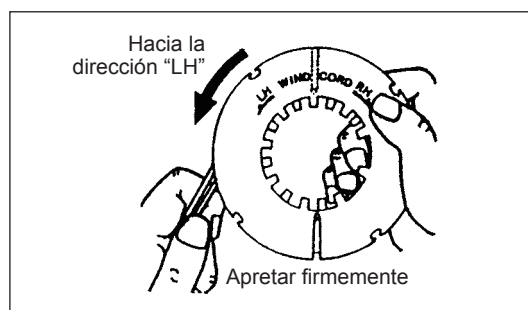
2. Retire la pieza de bloqueo y el carrete del alojamiento.



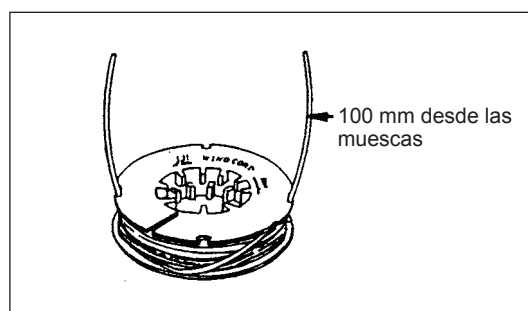
3. Ponga cada uno de los dos hilos de corte en cada uno de los orificios de la parte más interior de la ranura de uno de los aros exteriores del carrete. Ponga los hilos en las canaletas del carrete a través de cada hendidura de los aros.



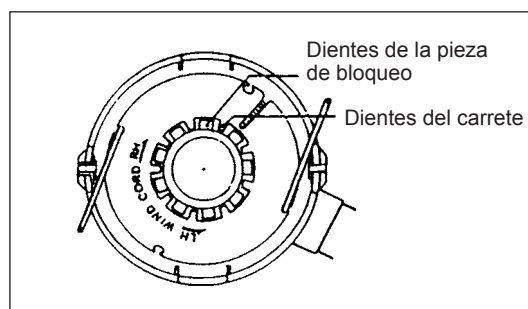
4. Enrolle los hilos firmemente en la dirección mostrada por la flecha de mano izquierda (LH) del aro. No cruce los hilos.



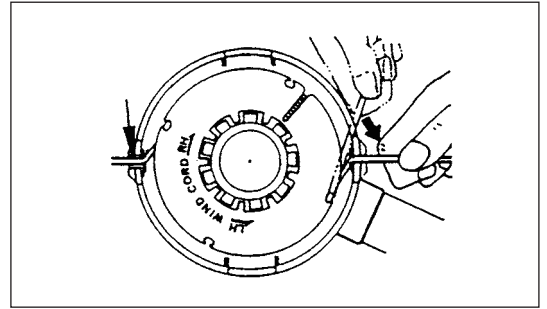
5. Enrolle la totalidad del hilo, excepto unos 100 mm (3-15/16"), dejando los extremos temporalmente enganchados alrededor de la muesca del lateral del carrete.



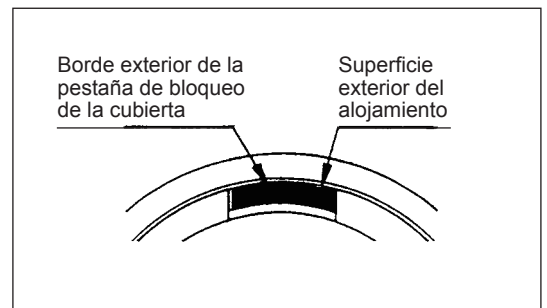
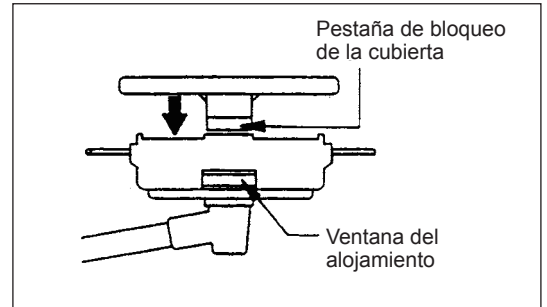
6. Ponga la pieza de bloqueo en el centro del alojamiento, colocándolo de forma que se pueda mover libremente arriba y abajo contra la tensión del muelle. Ponga el carrete en el alojamiento, alineando los dientes del carrete y de la pieza de bloqueo alternativamente, como engranajes.



7. Haga pasar los hilos de corte por la ranura de los ojales.



8. Coloque la cubierta en el alojamiento, alineando las pestañas de la cubierta y las ventanas del alojamiento. Asegúrese de que la cubierta se fije de forma exacta en el alojamiento. El borde exterior de la pestaña de bloqueo y la superficie exterior del alojamiento deben estar en la misma circunferencia.



INSTRUCCIONES DE SERVICIO

PRECAUCIÓN: Antes de realizar algún trabajo en el equipo, detenga siempre el motor y desconecte el conector de la bujía (consulte "comprobación de la bujía").
Utilice siempre guantes de protección.

Para garantizar una larga vida útil y para evitar daños en el equipo, realice las siguientes operaciones de mantenimiento periódicamente.

Inspección diaria y mantenimiento

- Antes de la puesta en funcionamiento, compruebe la máquina por si tiene tornillos flojos o si faltan piezas. Preste especial atención al apriete de la cuchilla de metal o del cabezal de corte de nylon.
- Antes de la puesta en funcionamiento, compruebe siempre que el conducto de paso de aire de refrigeración y las aletas del cilindro no estén obstruidas.
Límpielos si es necesario.
- Realice diariamente las siguientes operaciones tras el uso:
 - Limpie el equipo externamente y busque si hay daños.
 - Limpie el filtro de aire. Cuando trabaje en condiciones extremas de polvo, limpie el filtro varias veces al día.
 - Compruebe si la cuchilla o el cabezal de corte de nylon están estropeados y asegúrese de que se hayan montado firmemente.
 - Compruebe que haya una diferencia suficiente entre la velocidad de ralentí y la velocidad de trabajo para garantizar que la herramienta de corte esté parada mientras el motor funciona al ralentí (si es necesario, reduzca la velocidad de ralentí).
Si en las condiciones de ralentí la herramienta sigue funcionando, consulte con su agente de servicio autorizado más cercano.
- Compruebe el funcionamiento del interruptor I-O, la palanca de desbloqueo, la palanca de la mariposa de gases y el botón de bloqueo.

SUSTITUCIÓN DEL ACEITE DEL MOTOR

Un aceite de motor deteriorado acortará la vida útil del motor. Asegúrese de comprobar el aceite y el nivel periódicamente.



ADVERTENCIA: El motor y el aceite del motor están calientes justo después de parar el motor. Deje suficiente tiempo para que el motor y el aceite del motor se enfríen. De lo contrario puede sufrir quemaduras en la piel.

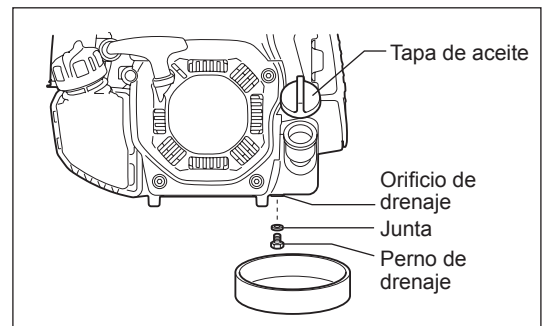
NOTA: Si se llena aceite por encima del límite, puede contaminarse o incendiarse y provocar un humo blanco. Deje suficiente tiempo tras parar el motor para que el aceite del motor vuelva al depósito del aceite para asegurar una lectura precisa del nivel de aceite.

Intervalo de sustitución: Después de las primeras 20 horas de funcionamiento, seguidas por el intervalo de cada 50 horas de funcionamiento.

Aceite recomendado: Aceite SAE10W-30 de Clasificación API Clase SF o superior (aceite de motor de 4 tiempos para automoción)

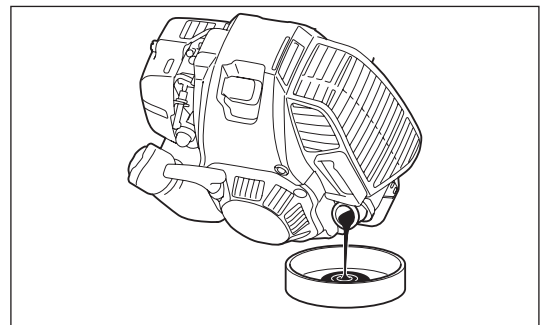
Para el reemplazo, siga este procedimiento.

- 1) Asegúrese de que la tapa del depósito de combustible esté apretada de forma segura.
- 2) Coloque un contenedor grande (bandeja, etc.) debajo del orificio de drenaje.
- 3) Retire el perno de drenaje y la tapa de aceite para drenar el aceite por el orificio de drenaje.
En este punto, asegúrese de no perder la junta del perno de drenaje y de no ensuciar ninguno de los componentes retirados.
- 4) Cuando se haya drenado todo el aceite, instale la junta y el perno de drenaje y apriete firmemente el perno de drenaje, de forma que no se afloje y no provoque fugas.
[Par de apriete: 5 N-m]
* Utilice un paño para limpiar el aceite que pueda haber quedado en el perno y el equipo.



Método de drenaje alternativo

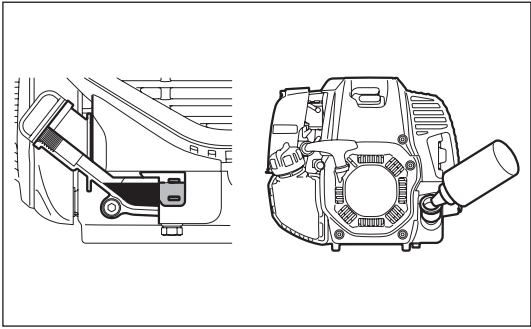
Retire la tapa de aceite, incline el equipo hacia el orificio de relleno de aceite y drene el aceite.
Recoja el aceite en el contenedor.



- 5) Coloque el motor en una posición nivelada y rellene gradualmente hasta la marca de límite superior con aceite nuevo.
- 6) Tras el llenado, apriete firmemente la tapa de aceite, de forma que no se afloje y no provoque fugas.
Si la tapa de aceite no se aprieta firmemente, puede provocar fugas.

ASPECTOS SOBRE EL ACEITE

- Nunca deseche el aceite de motor reemplazado en la basura convencional, en el suelo o en la red de alcantarillado. La eliminación de los desechos de aceite está regulada por ley. Para eliminar esos desechos, siga las leyes y normativas aplicables. Si tiene alguna duda, póngase en contacto con un agente de servicio autorizado.
- El aceite se deteriorará aunque se guarde sin utilizar. Realice la inspección y el reemplazo a intervalos periódicos (reemplace con aceite nuevo cada 6 meses).



LIMPIEZA DEL FILTRO DE AIRE



ADVERTENCIA: Apague el motor, manténgase alejado de las llamas y no fume.

Intervalo de limpieza e inspección: Diariamente (cada 10 horas de uso)

- Gire la palanca del estrangulador hasta el lado de cierre total y mantenga el carburador alejado del polvo o de la suciedad.

Extracción de la cubierta del filtro de aire

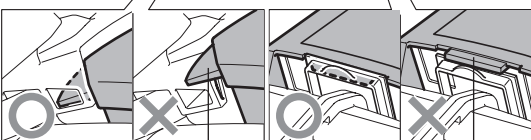
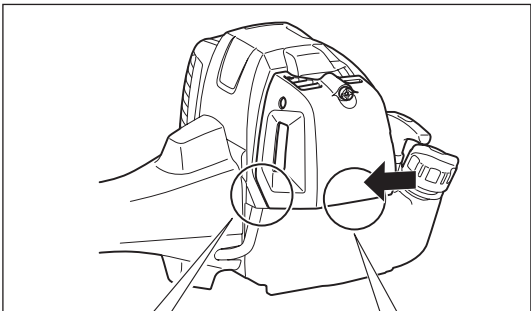
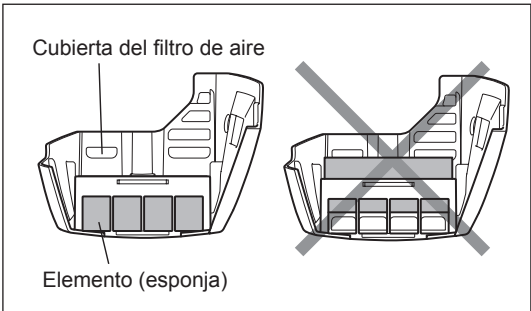
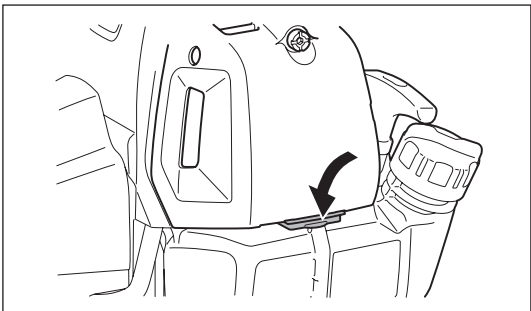
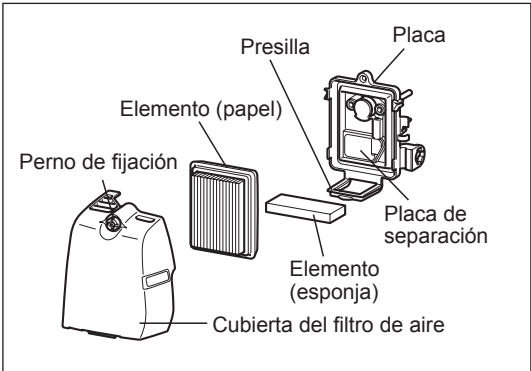
- Libere el gancho de la cubierta del filtro de aire pulsando la presilla de la placa.
- Afloje el perno de fijación.
- Tire de la cubierta del filtro de aire y retírela.

Elemento de filtrado

- Retire los elementos y golpéelos suavemente para eliminar la suciedad.
- Si está muy contaminado:
 - 1) Retire el elemento (esponja), sumérjalo en agua caliente o en detergente neutro diluido en agua y séquelo completamente. No lo apriete ni lo frote cuando lo lave.
 - 2) Limpie el elemento (papel) golpeándolo suavemente. Si puede utilizar una pistola de soplado de aire, sople el aire comprimido al interior del elemento (papel). No lave el elemento (papel).
- Antes de montar el elemento (esponja), asegúrese de secarlo completamente. Un secado insuficiente del elemento (esponja) puede provocar dificultades para arrancar.
- Limpie con un paño desechable el aceite adherido alrededor de la cubierta del filtro de aire y la placa de separación.

Acoplamiento de la cubierta del filtro de aire

- Encaje el elemento (esponja) y el elemento (papel). Inserte el elemento (esponja) completamente en la cubierta del filtro de aire.
- Inserte el gancho lateral de la cubierta del filtro de aire tal y como se muestra en la ilustración y empuje la parte inferior de la cubierta del filtro de aire hasta que encaje con un clic, de forma que el gancho se asiente en la presilla correctamente. A continuación apriete la cubierta del filtro de aire con el perno de fijación.



Gancho lateral

Gancho

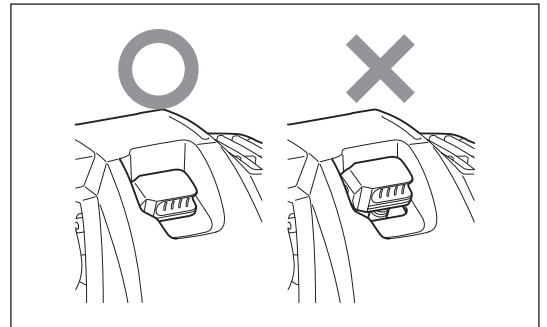
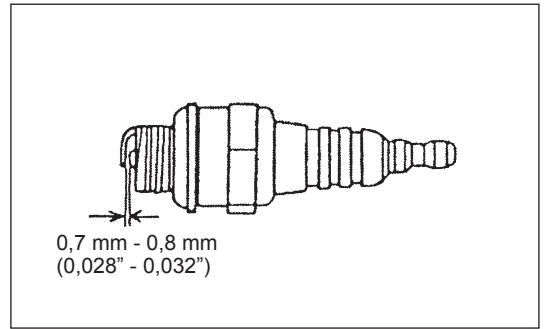
AVISO:

- Limpie los elementos varias veces al día si se adhiere a ellos un exceso de suciedad. Los elementos sucios reducen la potencia del motor y dificultan el arranque del motor.
- Retire el aceite de los elementos. Si se continúa con el uso sin limpiar de aceite los elementos, el aceite del filtro de aire puede caer en el exterior y provocar contaminación del medio ambiente.
- No coloque los elementos en el suelo o en un lugar sucio. Si lo hace, se ensuciarán o acumularán residuos y el motor se puede dañar.
- Nunca utilice combustible para limpiar los elementos. El combustible puede dañarlos.

COMPROBACIÓN DE LA BUJÍA

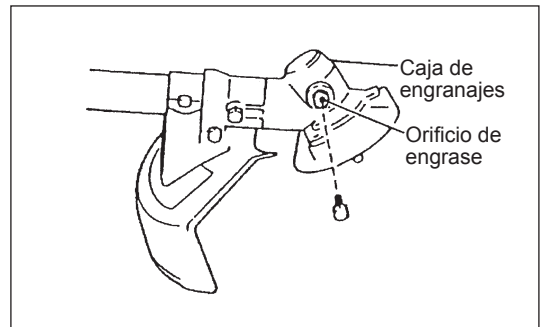
- Utilice solamente la llave de vaso suministrada para quitar o poner la bujía.
- La holgura entre los dos electrodos de la bujía debe ser de 0,7- 0,8 mm (0,028" - 0,032"). Si la holgura es demasiado grande o pequeña, ajústela. Si la bujía está obstruida o contaminada, límpiela minuciosamente o reemplácela. Coloque el capuchón de la bujía correctamente, como se muestra en la ilustración, tras la comprobación.

PRECAUCIÓN: Nunca toque el conector de la bujía mientras el motor está funcionando (peligro de recibir una descarga eléctrica de alta tensión).



SUMINISTRO DE GRASA A LA CAJA DE ENGRANAJES

- Suministre grasa (Shell Alvania 2 o equivalente) a la caja de engranajes a través del orificio de engrase cada 30 horas. (Puede comprar grasa original de MAKITA en su distribuidor MAKITA.)

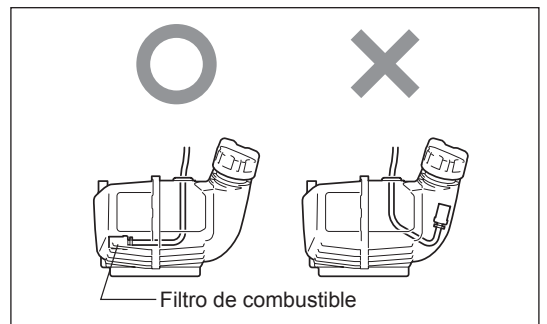
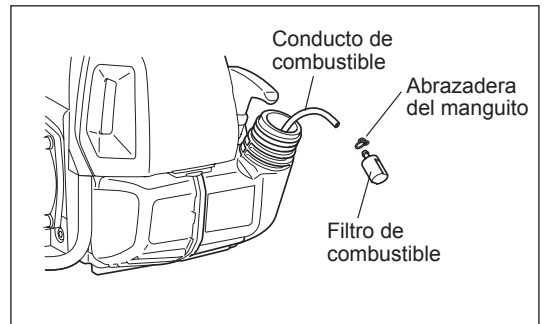


LIMPIEZA DEL FILTRO DE COMBUSTIBLE ADVERTENCIA: LOS MATERIALES INFLAMABLES ESTÁN ESTRICTAMENTE PROHIBIDOS

Intervalo de limpieza e inspección: Mensualmente (cada 50 horas de uso)

Cabezal de succión en el depósito de combustible

- El filtro de combustible (1) del cabezal de succión se utiliza para filtrar el combustible necesario para el carburador.
- Debe realizarse una inspección visual periódica del filtro de combustible. Abra la tapa del depósito y utilice un gancho de alambre para extraer el cabezal de succión a través de la abertura del depósito. Si el filtro está endurecido u obstruido, sustitúyalo.
- Sustituya el filtro de combustible como mínimo trimestralmente para garantizar que llegue suficiente suministro de combustible al carburador. De lo contrario, un suministro de combustible insuficiente hará que no se pueda poner en marcha el motor y limitará la velocidad máxima.
- Tras la comprobación, la limpieza o el reemplazo, fije el filtro de combustible al conducto de combustible con la abrazadera del manguito. Empuje el filtro de combustible completamente hasta la parte inferior del depósito de combustible.



REEMPLAZO DEL CONDUCTO DE COMBUSTIBLE

PRECAUCIÓN: LOS MATERIALES INFLAMABLES ESTÁN Estrictamente PROHIBIDOS

Intervalo de limpieza e inspección: Diariamente (cada 10 horas de uso)
Reemplazo: Anualmente (cada 200 horas de uso)

Reemplace el conducto de combustible cada año, independientemente de la frecuencia de utilización. La fuga de combustible puede provocar un incendio. Si se detecta una fuga durante la inspección, reemplace el conducto de combustible inmediatamente.

INSPECCIÓN DE LOS PERNOS, LAS TUERCAS Y LOS TORNILLOS

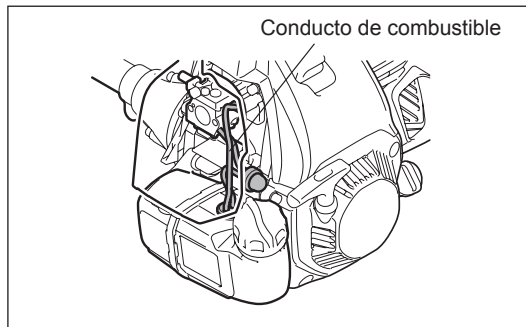
- Reapriete los pernos, tuercas y demás elementos flojos.
- Compruebe si la tapa de combustible y la tapa de aceite se han apretado firmemente. Compruebe si hay fugas de combustible y aceite.
- Reemplace las piezas dañadas con piezas nuevas para garantizar un uso seguro.

LIMPIEZA DE LAS PIEZAS

- Mantenga siempre limpio el motor con un paño de trapo.
- Mantenga las aletas del cilindro libres de polvo o suciedad. El polvo o la suciedad adheridos a las aletas provocarán el gripado del pistón.

REEMPLAZO DE LAS JUNTAS Y RETENES

Reemplace las juntas y los retenes si se desmonta el motor. Cualquier mantenimiento o trabajo de ajuste que no se describa en este manual solamente deben realizarlo agentes de servicio autorizados.



ALMACENAMIENTO

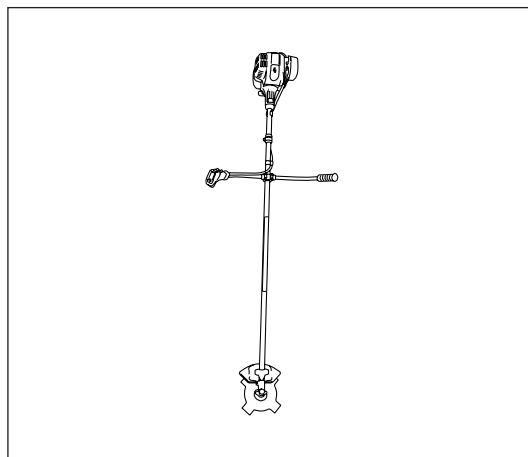


ADVERTENCIA: El motor está caliente justo después de pararlo. Cuando drene el combustible, deje suficiente tiempo para que el motor se enfríe tras detenerlo. De lo contrario puede sufrir quemaduras en la piel o se puede producir un incendio.



PELIGRO: Cuando la herramienta no se vaya a usar durante mucho tiempo, drene todo el combustible del depósito de combustible y el carburador y manténgalo en un lugar seco y limpio.

- Drene el combustible del depósito de combustible y del carburador de acuerdo con el siguiente procedimiento:
 - 1) Extraiga la tapa del depósito de combustible y drene el combustible completamente. Si queda algún objeto extraño en el depósito de combustible, retírelo completamente.
 - 2) Extraiga el filtro de combustible de la abertura de relleno mediante un alambre.
 - 3) Presione la bomba de combustible hasta que se haya drenado el combustible y drene el combustible que entra en el depósito de combustible.
 - 4) Coloque el filtro en el depósito de combustible y fije firmemente la tapa del depósito de combustible.
 - 5) A continuación, continúe con la máquina encendida hasta que el motor se detenga.
- Extraiga la bujía y aplique varias gotas de aceite de motor a través del orificio de la bujía.
- Tire suavemente de la empuñadura de arranque para que el aceite de motor se extienda por el motor y, a continuación, vuelva a colocar la bujía.
- Monte la cubierta en la cuchilla de metal.
- Por lo general, debe almacenar la máquina en posición horizontal o si esto no es posible, coloque la máquina de forma que la herramienta de corte esté debajo del motor. Preste especial atención a cómo se almacena la máquina para evitar que caiga. De lo contrario, se pueden provocar lesiones personales.
- Mantenga el combustible drenado en un contenedor especial en una zona a la sombra y bien ventilada.



Atención tras un almacenamiento prolongado

- Antes de poner en marcha la herramienta tras estar apagada durante un período de tiempo prolongado, asegúrese de reemplazar el aceite (consulte la P 152). El aceite se deteriorará durante el tiempo que la máquina haya permanecido sin utilizar.

Elemento	Tiempo de funcionamiento	Antes del uso	Tras el repostaje	Diariamente (10 h)	30 h	50 h	200 h	Antes del almacenamiento	P correspondiente
Aceite de motor	Inspeccione/ limpie	○							143
	Debe sustituirse					○*1			152
Apretar piezas (perno, tuerca)	Inspeccione	○							154
Depósito de combustible	Limpie/ inspeccione	○							—
	Vacíe el combustible							○*3	155
Palanca de la mariposa de gases	Compruebe el funcionamiento		○						—
Interruptor de parada	Compruebe el funcionamiento		○						152
Herramienta de corte	Inspeccione	○		○					140
Velocidad de ralentí	Inspeccione/ ajuste			○					148
Filtro de aire	Limpie			○					153
Bujía	Inspeccione			○					154
Conducto del aire de refrigeración y aletas del cilindro	Limpie/ inspeccione			○					155
Conducto de combustible	Inspeccione			○					155
	Debe sustituirse						◎*2		—
Grasa de la caja de engranajes	Rellene				○				154
Filtro de combustible	Limpie/ Reemplace					○			154
Holgura de la válvula (válvula de entrada y válvula de escape)	Inspeccione/ ajuste						◎*2		—
Carburador	Vacíe el combustible							○*3	155

*1 Realice el reemplazo inicial tras 20 horas de uso.

*2 Para la inspección de las 200 horas de uso, contacte con un Agente de servicio autorizado de Makita o un taller mecánico.

*3 Tras vaciar el depósito de combustible, continúe haciendo funcionar el motor y drene el combustible del carburador.

LOCALIZACIÓN Y SOLUCIÓN DE AVERÍAS

Antes de realizar una solicitud de reparación, compruebe usted mismo el problema. Si encuentra una anomalía, controle la máquina de acuerdo con la descripción de este manual. Nunca manipule ni desmonte ninguna pieza de forma contraria a la descripción. Si es necesario realizar reparaciones, póngase en contacto con un agente de servicio autorizado o un distribuidor local.

Estado anómalo	Causa probable (mal funcionamiento)	Solución
El motor no se enciende	El interruptor I-O está ajustado en PARADA (STOP).	Ajuste el interruptor I-O en FUNCIONAMIENTO.
	No se ha accionado la bomba de cebado	Púlsela de 7 a 10 veces
	Se ha tirado del cable del arrancador a baja velocidad	Tire con fuerza
	Falta de combustible	Reposte combustible
	Filtro de combustible obstruido	Limpie
	Tubo de combustible roto	Enderece el tubo de combustible
	Combustible deteriorado	El combustible deteriorado hace que la puesta en marcha sea más difícil. Reemplácelo con combustible nuevo. (Reemplazo recomendado: 1 mes)
	Succión de combustible excesiva	Ajuste la palanca de la mariposa de gases entre una velocidad media y alta y tire de la empuñadura de arranque hasta que se ponga en marcha el motor. Cuando se haya puesto en marcha el motor, la cuchilla de metal empezará a girar. Preste atención a la cuchilla de metal. Si el motor sigue sin encenderse, extraiga la bujía, seque el electrodo y vuelva a montarla en su posición original. A continuación, arranque como se ha especificado.
	Tapa de la bujía suelta	Acóplela firmemente
	Bujía sucia	Limpie
	Holgura anómala de la bujía	Ajústela
	Otras anomalías de la bujía	Debe sustituirse
	Anomalía del carburador	Solicite que se realice la inspección y mantenimiento.
	No se puede tirar de la cuerda del arrancador	Solicite que se realice la inspección y mantenimiento.
Anomalía del sistema de transmisión	Solicite que se realice la inspección y mantenimiento.	
El motor se para al poco tiempo La velocidad del motor no aumenta	Calentamiento insuficiente	Realice la operación de calentamiento
	La palanca del estrangulador está ajustada en "CERRAR" aunque el motor se ha calentado.	Ajústela en "ABRIR"
	Filtro de combustible obstruido	Limpie
	Filtro de aire sucio u obstruido	Limpie
	Anomalía del carburador	Solicite que se realice la inspección y mantenimiento.
	Anomalía del sistema de transmisión	Solicite que se realice la inspección y mantenimiento.
La cuchilla de metal no gira ↓ Pare el motor inmediatamente	La tuerca de apriete de la cuchilla de metal se ha aflojado	Apriétela firmemente
	Pequeñas ramas atrapadas por la cuchilla de metal o la cubierta para impedir su dispersión.	Retire los objetos extraños
	Anomalía del sistema de transmisión	Solicite que se realice la inspección y mantenimiento.
La unidad principal vibra de forma anómala ↓ Pare el motor inmediatamente	La cuchilla de metal está rota, doblada o gastada	Sustituya la cuchilla de metal
	La tuerca de apriete de la cuchilla de metal se ha aflojado	Apriétela firmemente
	Se ha movido la parte convexa de la cuchilla de metal y el soporte de la cuchilla de metal.	Acóplela firmemente
	Anomalía del sistema de transmisión	Solicite que se realice la inspección y mantenimiento.
La cuchilla de metal no se detiene inmediatamente ↓ Pare el motor inmediatamente	Rotación al ralentí elevada	Ajuste
	Se ha soltado el cable de la mariposa de gases	Acóplela firmemente
	Anomalía del sistema de transmisión	Solicite que se realice la inspección y mantenimiento.
El motor no se para ↓ Haga funcionar el motor al ralentí y ajuste la palanca del estrangulador en CERRAR	Conector desconectado	Acóplela firmemente
	Anomalía del sistema eléctrico	Solicite que se realice la inspección y mantenimiento.

Cuando el motor no se ponga en marcha tras la operación de calentamiento:

Si no hay ninguna anomalía en los elementos comprobados, abra la mariposa de gases 1/3 y ponga en marcha el motor.

Obrigado por ter adquirido o Equipamento Eléctrico para Exteriores da MAKITA. Temos o orgulho de recomendar um produto MAKITA que é o resultado de um longo programa de desenvolvimento e muitos anos de conhecimento e experiência.

Leia esta brochura cuidadosamente que se refere em pormenor aos vários pontos que irão demonstrar o fantástico desempenho. Irá ajudá-lo a obter os melhores resultados possíveis do seu produto MAKITA.



Índice	Página
Símbolos.....	158
Instruções de segurança	159
Dados técnicos	163
Designação de peças	164
Montagem da pega.....	165
Montagem do protector	166
Montagem da lâmina metálica ou da cabeça de corte em nylon.....	168
Antes de iniciar o funcionamento	169
Manuseamento correcto da máquina	171
Pontos sobre o funcionamento e como parar.....	172
Voltar a afiar a ferramenta de corte.....	174
Instruções de serviço.....	178
Armazenamento	181

SÍMBOLOS

Tome atenção aos seguintes símbolos ao ler o manual de instruções.

	Leia o manual de instruções e siga os avisos e as precauções de segurança!		Mantenha a área de funcionamento livre de pessoas e animais!
	Tenha um cuidado e atenção especiais!		Use um capacete e protecção para os olhos e ouvidos!
	Proibido!		Velocidade máxima admissível da ferramenta
	Mantenha-se afastado!		Combustível (Gasolina)
	Perigo de objectos voadores!		Arranque manual do motor
	Recuo!		Paragem de emergência
	Proibido fumar!		Primeiros-socorros
	Sem chamas abertas!		LIGAR/ARRANCAR
	Deve utilizar luvas de protecção!		DESLIGAR/PARAR
	Use botas resistentes com solas não derrapantes. Recomenda-se a utilização de botas de segurança com biqueira de aço!		POSIÇÃO DE BLOQUEIO DO ACELERADOR

INSTRUÇÕES DE SEGURANÇA

Instruções gerais

- Leia este manual de instruções para se familiarizar com o manuseamento do equipamento. Utilizar este equipamento sem entender como operá-lo correctamente pode resultar em ferimentos graves em si ou em outros.
- É aconselhável emprestar o equipamento apenas a pessoas que demonstraram ter experiência. Empréstimo sempre este manual de instruções ao mesmo tempo.
- Se é a primeira vez que utiliza roçadeiras consulte o seu revendedor para instruções básicas.
- Crianças e pessoas novas com menos de 18 anos não devem operar este equipamento. Pessoas com mais de 16 anos podem, no entanto, utilizar o dispositivo para efeitos de treino, apenas durante a supervisão de um formador qualificado.
- Utilize com o máximo de cuidado e atenção.
- Opere apenas se estiver em boas condições físicas. Efectue todos os trabalhos com calma e cuidado. O utilizador deve aceitar a responsabilidade pelos que estão em sua volta.
- Nunca utilize o equipamento após o consumo de álcool ou drogas, ou se estiver cansado ou doente.
- As regulamentações nacionais podem proibir a utilização da máquina.

Utilização pretendida da máquina

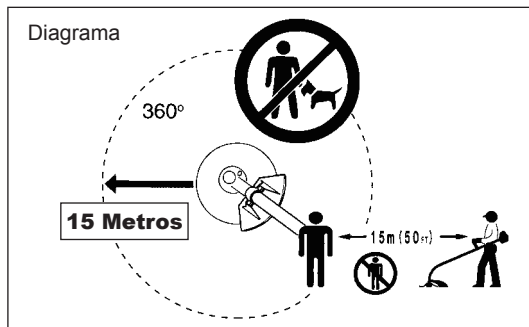
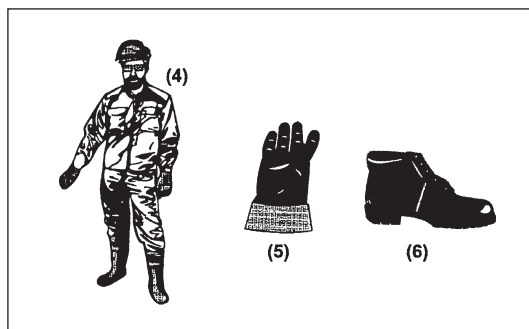
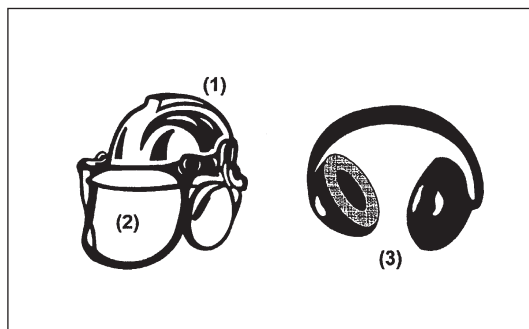
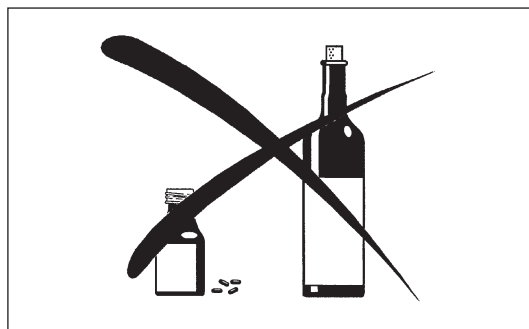
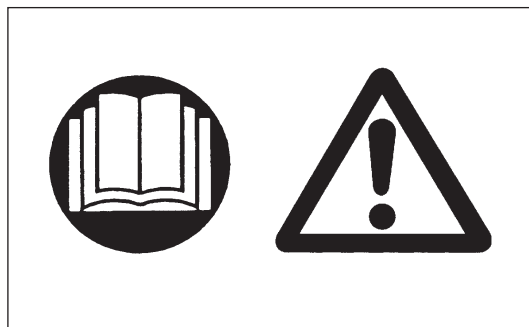
- Este equipamento destina-se apenas a cortar relva, ervas daninhas, arbustos, vegetação rasteira. Não deve ser utilizado para outros fins como aparar sebes, uma vez que pode causar ferimentos.

Equipamento de protecção pessoal

- Utilize sempre roupas que sejam funcionais e apropriadas ao seu trabalho, isto é, que fiquem justas mas não demasiado apertadas ao ponto de causar um movimento desconfortável. Não utilize joalheria ou roupas que possam ficar presas nos arbustos.
- Para evitar ferimentos na cabeça, olhos, mãos ou pés, assim como para proteger a sua audição, deve utilizar o seguinte equipamento e roupa de protecção durante o funcionamento.
- Utilize um capacete sempre que existir risco de queda de objectos. Deve verificar regularmente se existem danos no capacete protector (1) e deve substituí-lo, no mínimo, após 5 anos. Utilize apenas capacetes protectores aprovados.
- O visor (2) do capacete (ou óculos, em alternativa) protege a face de resíduos e pedras. Durante a utilização, utilize sempre óculos ou um visor para evitar ferimentos oculares.
- Use equipamento de protecção contra ruído adequado para evitar deficiências auditivas (protector auditivo (3), tampões para os ouvidos etc.).
- Os fatos-macaco (4) protegem contra pedras e resíduos. Recomendamos vivamente que o utilizador use fatos-macaco.
- As luvas (5) fazem parte do equipamento indicado e devem ser sempre utilizadas durante a utilização.
- Ao usar o equipamento, use sempre sapatos resistentes (6) com uma sola não derrapante. Estes sapatos protegem contra ferimentos e asseguram um bom apoio.

Ligar a roçadeira

- Certifique-se de que não há crianças ou outras pessoas a trabalhar num raio de 15 metros (50 pés), tome também atenção a animais nas proximidades.
- Antes da utilização, certifique-se sempre de que o equipamento está seguro: Certifique-se de que a ferramenta de corte é segura, de que a alavanca do acelerador pode ser operada facilmente e de que o bloqueio da alavanca do acelerador está a funcionar correctamente.
- A rotação da ferramenta de corte durante a marcha lenta é proibida. Consulte o seu revendedor se achar que o equipamento pode precisar de ajustes. Certifique-se de que as pegadas estão limpas e secas e de que o botão de arranque/paragem está a funcionar correctamente.

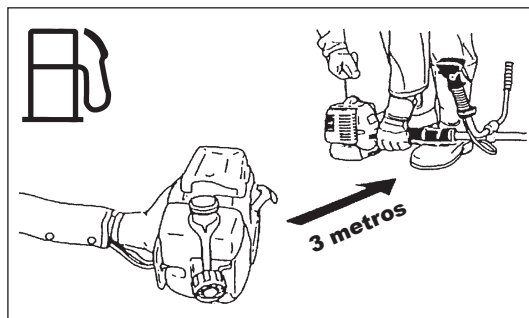
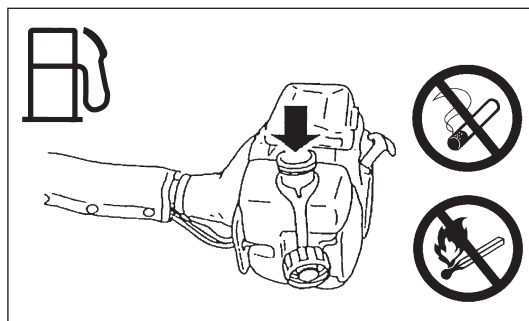
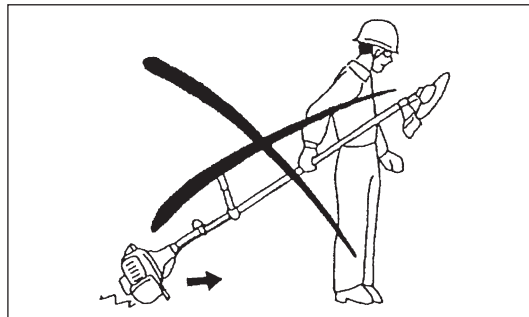
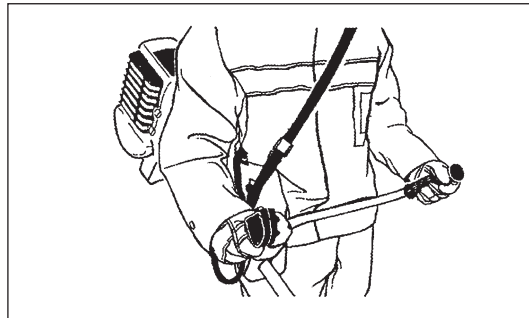
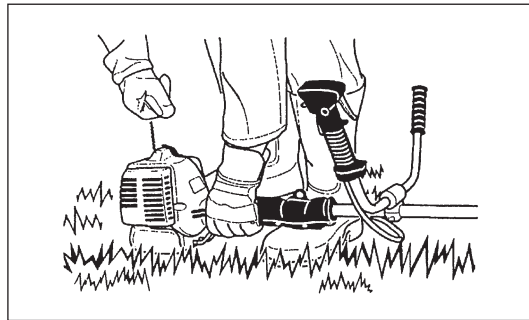


Ligue a roçadeira apenas de acordo com as instruções.

- Não utilize outros métodos para arrancar o motor!
- Utilize a roçadeira e as ferramentas apenas para as aplicações especificadas.
- Ligue o motor apenas após a conclusão da montagem. Não opere o equipamento até que todos os acessórios apropriados estejam fixos!
- Antes de arrancar, certifique-se de que a ferramenta de corte não está em contacto com objectos duros como ramos, pedras etc., uma vez que a ferramenta de corte irá rodar ao arrancar.
- Desligue o motor imediatamente se ocorrer algum tipo de problema no motor.
- Caso a ferramenta de corte atinja pedras ou outros objectos duros, desligue imediatamente o motor e inspecione a ferramenta de corte.
- Inspecione a ferramenta de corte em intervalos curtos regulares para se certificar de que não está danificada (detecção de fissuras utilizando o teste do toque).
- Se o equipamento sofrer um impacto ou queda, verifique o seu estado antes de continuar a trabalhar. Verifique o sistema de combustível por fugas de combustível e os comandos e dispositivos de segurança por avarias. Se existirem danos ou dúvidas, solicite o nosso centro de assistência autorizado para a inspecção e reparação.
- Opere o equipamento apenas com o arnês dos ombros, o qual deve ser correctamente ajustado antes de colocar a roçadeira em funcionamento. O arnês dos ombros deve estar ajustado ao tamanho do utilizador para evitar fadiga durante o manuseamento do equipamento. Nunca segure a roçadeira com uma mão durante a utilização.
- Durante o funcionamento, segure sempre a roçadeira com ambas as mãos. Certifique-se sempre de que tem um apoio seguro.
- Opere o equipamento de maneira a evitar a inalação dos gases de escape. Nunca arranque o motor num espaço fechado (risco de envenenamento por gás). O monóxido de carbono é um gás sem odor.
- Desligue sempre o motor quando estiver em repouso, ou se pretende deixar o equipamento sem vigilância, e coloque-o num local seguro para evitar ferimentos a outras pessoas e danos no equipamento.
- Nunca coloque a roçadeira quente sobre a relva seca ou em quaisquer outros materiais combustíveis.
- Instale sempre o resguardo da ferramenta de corte aprovado no equipamento antes de ligar o motor. Caso contrário, o contacto com a ferramenta de corte pode causar ferimentos graves.
- Todas as instalações de protecção e resguardos fornecidos com esta máquina devem ser usados durante o funcionamento.
- Nunca opere o motor se o silenciador de escape estiver avariado.
- Desligue o motor durante o transporte.
- Ao transportar o equipamento, instale sempre a tampa na lâmina metálica.
- Certifique-se de que o equipamento está seguro durante o transporte automóvel, de modo a evitar fugas de combustível.
- Durante o transporte, certifique-se de que o depósito de combustível está totalmente vazio.
- Quando descarregar o equipamento, nunca deixe cair o motor no chão, uma vez que tal pode danificar gravemente o depósito de combustível.
- Excepto em caso de emergência, nunca deixe cair nem atire o equipamento ao chão uma vez que isto pode danificá-lo gravemente.
- Lembre-se de levantar todo o equipamento do chão ao movê-lo. Arrastar o equipamento no seu depósito de combustível é muito perigoso e pode causar uma fuga de combustível, o que pode resultar num incêndio.

Abastecimento

- Desligue o motor durante o reabastecimento de combustível, mantenha-se longe das chamas abertas e não fume.
- Certifique-se de que produtos de óleo mineral não entram em contacto com a pele. Não inale o vapor do combustível. Use sempre luvas protectoras durante o reabastecimento. Mude e limpe a roupa protectora em intervalos regulares.
- Para evitar contaminação do solo (protecção ambiental), certifique-se de que não derrama combustível ou óleo no chão. Limpe a roçadeira imediatamente após o derramamento de combustível.
- Certifique-se de que o combustível não entra em contacto com as roupas. Se o combustível entrar em contacto com as suas roupas, mude essas roupas imediatamente (para evitar um incêndio).
- Inspecione o tampão do depósito em intervalos regulares para se certificar de que está bem seguro e não pinga.
- Aperte, com cuidado, a tampa do depósito de combustível. Mude de local para arrancar o motor (pelo menos a 3 metros de distância de onde reabasteceu).
- Nunca reabasteça num espaço fechado. Os vapores de combustível acumulam ao nível do solo (risco de explosões).
- Transporte e armazene o combustível apenas em recipientes aprovados. Certifique-se de que o combustível armazenado não é acessível a crianças.



Método de funcionamento

- Utilize apenas com boa luz e visibilidade. Durante a época de Inverno, tenha cuidado com áreas escorregadias ou molhadas, gelo e neve (risco de escorregar). Certifique-se sempre de que tem um apoio seguro.
- Nunca corte acima da altura dos ombros.
- Nunca suba para uma escada.
- Nunca trepe árvores para efectuar uma operação de corte.
- Nunca trabalhe em superfícies instáveis.
- Remova areia, pedras, pregos etc encontrados na área de trabalho. Partículas estranhas podem danificar a ferramenta de corte e causar recuos perigosos.
- Antes de começar a cortar, certifique-se de que a ferramenta de corte atingiu a velocidade de funcionamento completa.
- Ao utilizar lâminas metálicas, oscile a ferramenta uniformemente em meio círculo da direita para a esquerda, tal como uma foice. Se relva ou ramos ficarem presos entre a ferramenta de corte e o resguardo, desligue sempre o motor antes da limpeza. Caso contrário, a rotação não intencional da lâmina pode provocar ferimentos graves.
- Descanse para evitar a perda de controlo causada pela fadiga. É aconselhável descansar 10 a 20 minutos por cada hora.

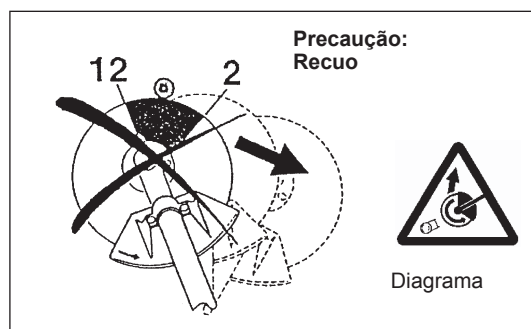


Ferramentas de corte

- Utilize uma ferramenta de corte aplicável para a tarefa em mãos. As cabeças de corte em nylon (cabeças de roçadeira) são adequadas para cortar relva. As lâminas metálicas são adequadas para cortar ervas daninhas, relva alta, arbustos, vegetação rasteira, mata, etc. Nunca utilize outras lâminas incluindo correntes oscilantes metálicas de várias peças e lâminas tipo mangual. Caso contrário, podem resultar ferimentos graves.
- Ao utilizar lâminas metálicas, evite “recuos” e esteja sempre preparado para um recuo accidental. Consulte a secção “Recuo” e “Prevenção de recuos”.

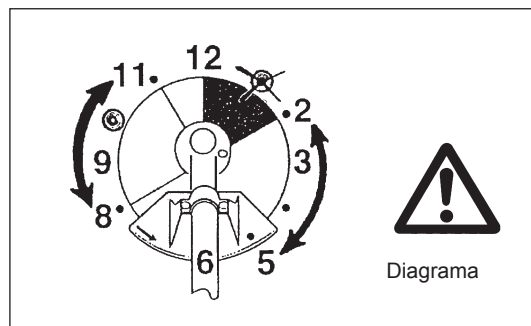
Recuo (impulso da lâmina)

- O recuo (impulso da lâmina) é uma reacção súbita a uma lâmina metálica presa. Assim que ocorrer, o equipamento é projectado para o lado ou na direcção do operador com força e pode causar ferimentos graves.
- Os recuos ocorrem particularmente ao aplicar a secção da lâmina entre as 12 e as 2 horas para sólidos, arbustos e árvores com um diâmetro de 3 cm ou mais.
- Para evitar recuos:
 - Aplique a secção entre as 8 e as 11 horas;
 - Nunca aplique a secção entre as 12 e as 2 horas;
 - Nunca aplique a secção entre as 11 e as 12 horas e entre as 2 e as 5 horas, a menos que o operador seja experiente e o faça a seu próprio risco;
 - Nunca utilize lâminas metálicas perto de sólidos, como cercas, paredes, troncos de árvores e pedras;
 - Nunca utilize lâminas metálicas na vertical, para operações como aparar sebes.



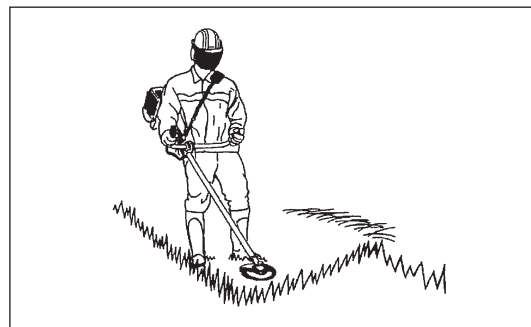
Vibração

- As pessoas com má circulação que sejam expostas a vibrações excessivas podem sofrer ferimentos nos vasos sanguíneos ou no sistema nervoso. As vibrações podem causar os seguintes sintomas nos dedos, mãos ou pulsos: “Adormecimento” (falta de sensação), formigueiro, dor, sensação de picadas, alteração da cor da pele ou da própria pele. Se ocorrer qualquer um destes sintomas, consulte um médico!
- Para reduzir o risco de “doença de Raynaud”, mantenha as suas mãos quentes durante a operação e tenha sempre o equipamento e os acessórios limpos.



Instruções de manutenção

- Solicite o nosso centro de assistência autorizado para efectuar a manutenção do equipamento, utilizando sempre peças de reposição genuínas. Uma reparação incorrecta e uma manutenção fraca podem encurtar a vida útil do equipamento e aumentar o risco de acidentes.
- O estado da roçadeira, em particular da ferramenta de corte dos dispositivos de protecção e também do arnés dos ombros tem de ser verificado antes de iniciar o trabalho. Deve também prestar especial atenção às lâminas metálicas, que devem estar devidamente afiadas.
- Desligue o motor e remova o conector da vela de ignição ao substituir ou afiar as ferramentas de corte, e também ao limpar a roçadeira ou ferramenta de corte.



Nunca alise ou solde ferramentas de corte danificadas.

- Tenha cuidado com o ambiente. Evite utilizar desnecessariamente o acelerador para reduzir as emissões de poluição e ruído. Afine correctamente o carburador.
- Limpe o equipamento em intervalos regulares e certifique-se de que todos os parafusos estão bem apertados.
- Nunca efectue manutenção ou guarde o equipamento perto de chamas.
- Guarde sempre o equipamento em salas fechadas e com um depósito de combustível esvaziado.
- Ao limpar, efectuar a manutenção e armazenar o equipamento, instale sempre a tampa na lâmina metálica.



Observe as instruções de prevenção de acidentes relevantes emitidas pelas associações comerciais relevantes e companhias de seguros. Não efectue quaisquer modificações no equipamento, pois isto estará a comprometer a sua segurança.

O desempenho do trabalho de manutenção ou reparação pelo utilizador é limitado às actividades descritas no manual de instruções. O resto do trabalho deverá ser efectuado por um Agente de Serviço Autorizado. Utilize apenas partes sobresselentes genuínas e acessórios lançados e fornecidos pela MAKITA.

Utilizar acessórios e ferramentas não aprovados provocará um risco maior de acidentes.

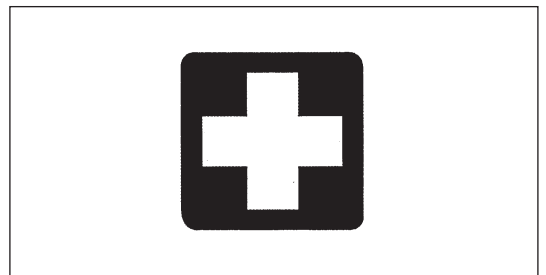
A MAKITA não aceitará qualquer responsabilização por acidentes ou danos provocados pela utilização de ferramentas de corte não aprovadas e dispositivos de fixação de ferramentas de corte ou acessórios.

Primeiros-socorros

Em caso de acidente, certifique-se de que uma caixa de primeiros socorros está disponível nas proximidades das operações de corte. Substitua imediatamente qualquer item retirado da caixa de primeiros socorros.

Ao pedir ajuda, forneça a seguinte informação:

- Local do acidente
- O que aconteceu
- Número de pessoas feridas
- Tipo de ferimentos
- O seu nome



Apenas para países europeus

Declaração de conformidade CE

Nós, a Makita Corporation, como fabricante responsável, declaramos que a(s) máquina(s) Makita seguinte(s):

Designação da máquina: Roçadeira A Gasolina
N.º de modelo/Tipo: EM4351UH, EM4350UH, EM4350LH
Especificações: consulte a tabela "DADOS TÉCNICOS"

são de produção em série e

Está em conformidade com as directivas europeias seguintes:

2000/14/EC, 2006/42/EC

E são fabricadas de acordo com as normas e documentos padronizados seguintes:

EN ISO 11806-1

A documentação técnica é mantida pelo nosso representante autorizado na Europa, que é:

Makita International Europe Ltd.,
Michigan Drive, Tongwell, Milton Keynes, Bucks MK15 8JD, Inglaterra

O procedimento de avaliação da conformidade requisitado pela Directiva 2000/14/EC estava em conformidade com o anexo V.

EM4351UH:

Nível de potência sonora medida: 111,9 dB

Nível de potência sonora garantida: 113 dB

EM4350UH:

Nível de potência sonora medida: 112,1 dB

Nível de potência sonora garantida: 113 dB

EM4350LH:

Nível de potência sonora medida: 110,7 dB

Nível de potência sonora garantida: 112 dB

8. 9. 2011

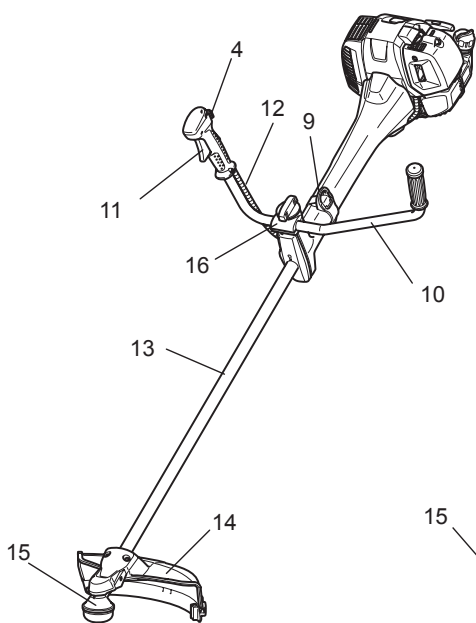
Tomoyasu Kato
Director
Makita Corporation
3-11-8, Sumiyoshi-cho,
Anjo, Aichi, JAPAN

DADOS TÉCNICOS EM4351UH, EM4350UH, EM4350LH

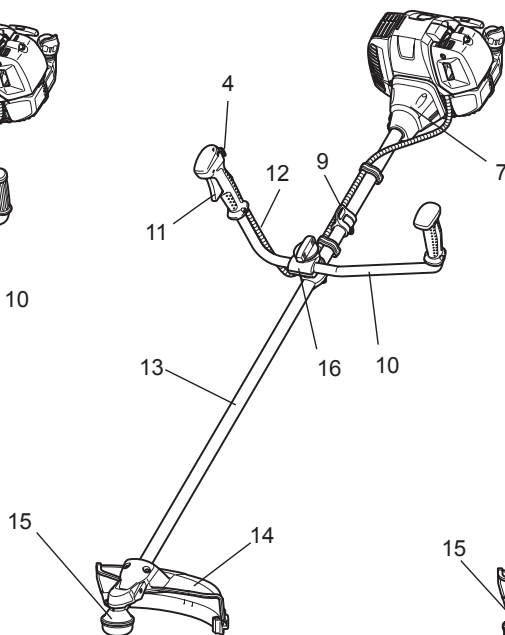
Modelo			EM4351UH	EM4350UH	EM4350LH				
Tipo de pega			Pega em U		Pega em U		Pega fechada		
Dimensões: comprimento x largura x altura (sem a ferramenta de corte)		mm	1.812 x 618 x 528		1.812 x 635 x 460		1.812 x 339 x 250		
Massa (sem resguardo de plástico e ferramenta de corte)		kg	8,6		8,3		7,9		
Volume (depósito de combustível)		L	0,6						
Volume (depósito de óleo)		L	0,1						
Deslocamento do motor		cm ³	43,0						
Desempenho máximo do motor		kW	1,5 a 7.500 min ⁻¹						
Velocidade do motor a velocidade de rotação máxima recomendada		min ⁻¹	10.500						
Velocidade de rotação máxima (correspondente)		min ⁻¹	7.200						
Velocidade em marcha lenta		min ⁻¹	3.000						
Velocidade da embraiagem		min ⁻¹	4.000						
Carburador			Tipo diafragma						
Sistema de ignição			Tipo íman sem contacto						
Vela de ignição		tipo	NGK CMR6A						
Separação de eléctrodos		mm	0,7 - 0,8						
			LÂMINA DE CORTE	CABEÇA DE CORTE EM NYLON	LÂMINA DE CORTE	CABEÇA DE CORTE EM NYLON	LÂMINA DE CORTE	CABEÇA DE CORTE EM NYLON	
Vibração por ISO 22867	Pega direita (Cabo traseiro)	a _{hv eq}	m/s ²	2,2	2,1	3,1	3,5	4,2	2,6
		Incerteza K		m/s ²	0,5	0,6	0,5	0,8	1,1
	Pega esquerda (Cabo dianteiro)	a _{hv eq}	m/s ²	1,7	2,0	4,8	4,0	3,8	3,7
		Incerteza K		m/s ²	0,5	0,5	2,9	0,9	1,0
Nível de pressão sonora de acordo com ISO 22868		L _{PA eq}	dBA	92,4	96,2	91,2	96,1	92,8	94,9
		Incerteza K		dBA	1,8	2,0	2,2	1,6	1,6
Média do nível de potência sonora de acordo com ISO 22868		L _{WA eq}	dBA	101,8	108,9	103,1	109,1	103,4	107,7
		Incerteza K		dBA	1,8	1,4	1,1	1,1	1,5
Combustível			Gasolina						
Óleo do motor			Óleo de classe SF ou superior com classificação API ou 10W-30 SAE (óleo para motor a 4 tempos)						
Ferramentas de corte (diâ. lâmina de corte)		mm	305 (com três lâminas)						
Relação de transmissão			13/19						

DESIGNAÇÃO DE PEÇAS

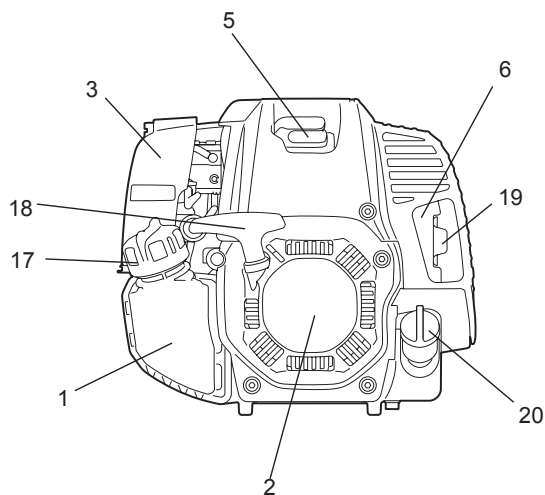
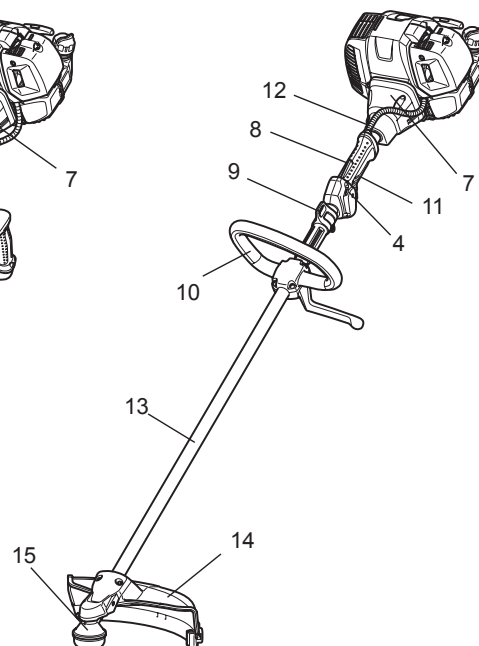
EM4351UH



EM4350UH



EM4350LH



P	DESIGNAÇÃO DE PEÇAS
1	Depósito de combustível
2	Fio de arranque
3	Filtro de ar
4	Botão I-O e bloqueio do acelerador (ligar/desligar)
5	Vela de ignição
6	Silenciador de escape
7	Embraiagem
8	Cabo traseiro
9	Suporte
10	Pega
11	Alavanca do acelerador
12	Cabo de controlo
13	Veio
14	Protector (Resguardo da ferramenta de corte)
15	Caixa de engrenagens/Caixa da extremidade
16	Suporte da pega
17	Tampa do depósito de combustível
18	Manípulo do dispositivo de arranque
19	Tubo de escape
20	Tampão de óleo

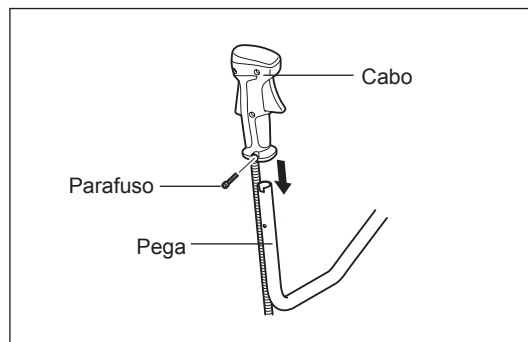
MONTAGEM DA PEGA

PRECAUÇÃO: Antes de efectuar qualquer trabalho no equipamento, desligue sempre o motor e retire o conector da vela de ignição da vela de ignição.
Use sempre luvas de protecção!

PRECAUÇÃO: Ligue o motor após a montagem estar concluída.

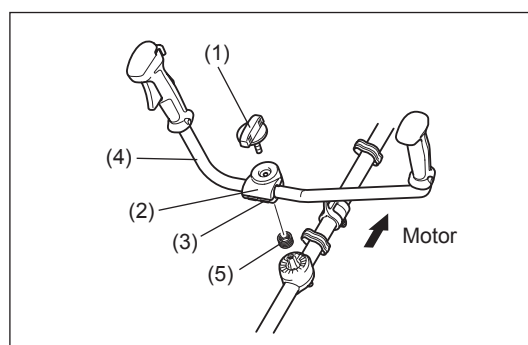
Para os modelos EM4351UH, EM4350UH

Insira o veio da pega no cabo, como indicado.
Alinhe o orifício de aparafusamento no cabo com o do veio.
Aperte bem o parafuso.



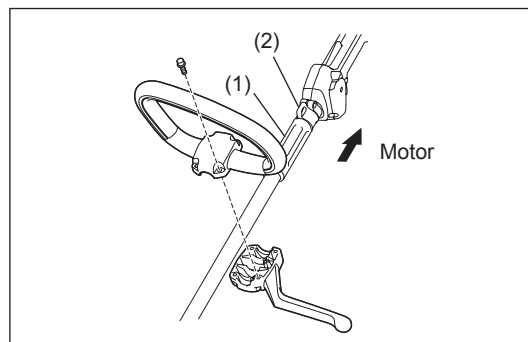
- Desaperte o manípulo (1).
- Coloque a pega (4) entre o grampo da pega (2) e o suporte da pega (3).
- Ajuste a pega (4) para um ângulo que proporcione uma posição de trabalho confortável e depois fixe apertando firmemente o manípulo à mão (1).

PRECAUÇÃO: Não se esqueça de montar a mola (5).



Para o modelo EM4350LH

- Fixe a pega fechada no veio com quatro parafusos.
- Para manter uma distância adequada entre os cabos, instale o espaçador (1) entre a pega fechada e o suporte (2).



MONTAGEM DO PROTECTOR

Para obedecer às provisões de segurança aplicáveis, apenas devem ser utilizadas as combinações de ferramenta/protector indicadas na tabela.

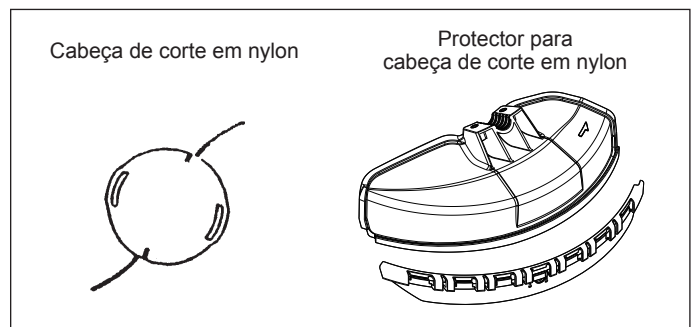
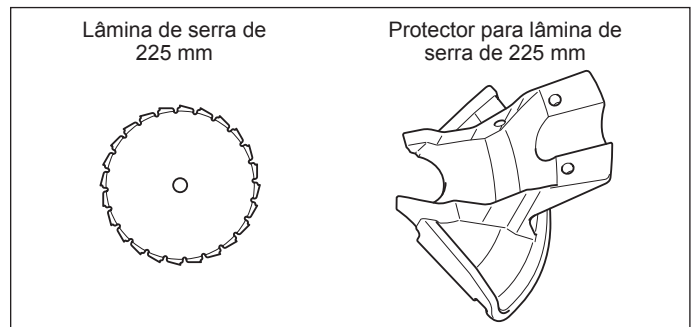
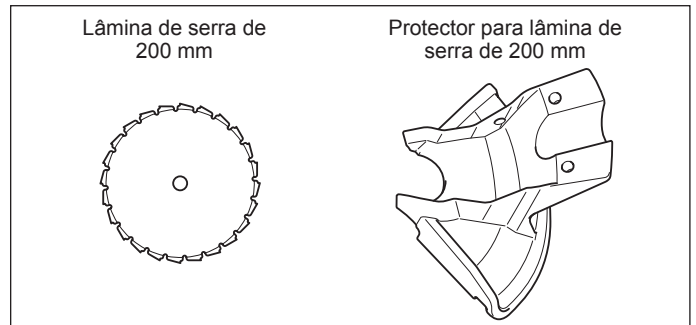
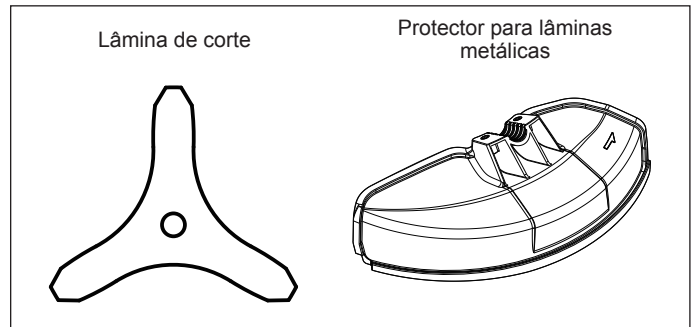


Certifique-se de que utiliza lâminas metálicas (incluindo lâmina de serra e lâmina de corte) ou cabeça de corte em nylon MAKITA.

- A lâmina metálica deve ser bem polida, livre de fendas ou quebras. Se a lâmina metálica for de encontro a uma pedra durante a operação, pare o motor e verifique a lâmina imediatamente.
- Deve polir ou substituir a lâmina metálica a cada três horas de funcionamento.
- Se a cabeça de corte em nylon for de encontro a uma pedra durante o funcionamento, pare o motor e verifique a cabeça de corte em nylon imediatamente.

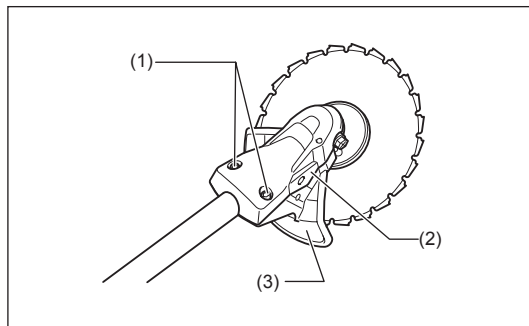
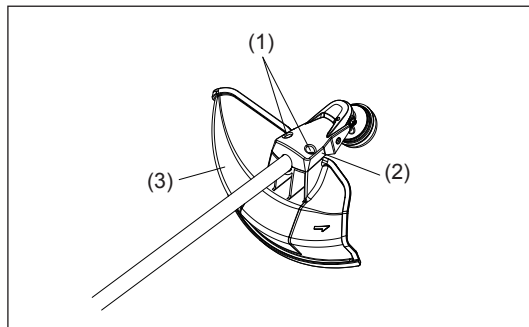
PRECAUÇÃO: O protector adequado devem ser sempre instalados para sua própria segurança e para obedecer a regulamentos de prevenção de acidentes. É proibida a utilização do equipamento sem o resguardo colocado. O diâmetro exterior da lâmina de corte tem de ser 300 mm ou menos. Nunca utilize lâminas com um diâmetro exterior superior a 300 mm. Utilize apenas o protector da lâmina de serra de 200 mm ao utilizar a lâmina de serra de 200 mm. Utilize apenas o protector da lâmina de serra de 225 mm ao utilizar a lâmina de serra de 225 mm. Não aplique outra combinação ao utilizar a lâmina de serra.

NOTA: A combinação padrão da ferramenta de corte varia consoante o país.



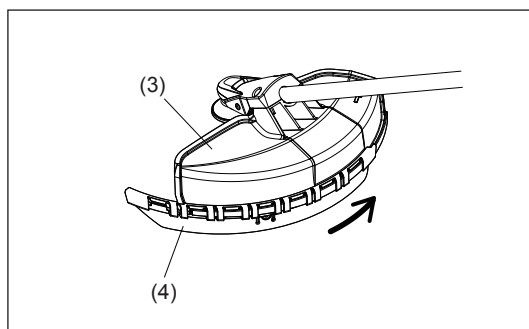
- Quando utilizar a lâmina metálica, fixe o protector (3) ao grampo (2) com dois parafusos (1).

NOTA: Aperte os parafusos direito e esquerdo uniformemente para que a folga entre o grampo (2) e o protector (3) seja constante.
Caso contrário, o protector pode, por vezes, não funcionar como especificado.

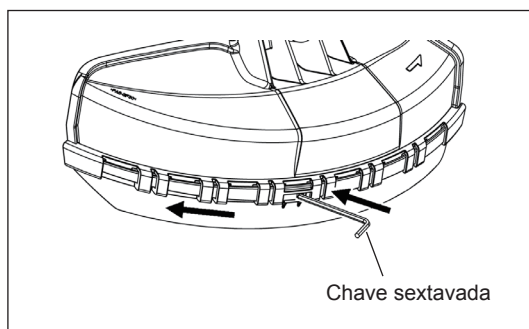


- Nos casos onde a roçadeira com fio de nylon é utilizada, certifique-se de que monta o protector da roçadeira com fio de nylon (4) no protector da lâmina metálica (3).
- Monte o protector da roçadeira com fio de nylon (4) deslizando-o para a posição, a partir da parte lateral do protector da lâmina metálica (3), como mostrado.
- Retire a fita colada na roçadeira, que corta o fio de nylon, no protector da roçadeira com fio de nylon (4).

PRECAUÇÃO: Certifique-se de que empurra o protector da roçadeira com fio de nylon (4) até estar completamente introduzido.
Tenha cuidado para não se ferir na roçadeira para cortar o fio de nylon.



- Para retirar o protector da roçadeira com fio de nylon (4), aplique uma chave sextavada no entalhe no protector da lâmina metálica (3), pressione-a e, ao mesmo tempo, deslize o protector da roçadeira com fio de nylon (4).



MONTAGEM DA LÂMINA METÁLICA OU DA CABEÇA DE CORTE EM NYLON

Certifique-se de que utiliza sempre lâminas metálicas ou cabeça de corte em nylon MAKITA.

- A lâmina metálica deve ser bem polida, livre de fendas ou quebras. Se a lâmina metálica for de encontro a uma pedra durante a operação, pare o motor e verifique a lâmina imediatamente.
- Deve polir ou substituir a lâmina metálica a cada três horas de funcionamento.
- Se a cabeça de corte em nylon for de encontro a uma pedra durante o funcionamento, pare o motor e verifique a cabeça de corte em nylon imediatamente.

PRECAUÇÃO: O protector adequado devem ser sempre instalados para sua própria segurança e para obedecer a regulamentos de prevenção de acidentes.

É proibida a utilização do equipamento sem o resguardo colocado.

O diâmetro exterior da lâmina de corte tem de ser 300 mm ou menos. Nunca utilize lâminas com um diâmetro exterior superior a 300 mm.

Vire a máquina ao contrário e pode substituir a lâmina metálica ou cabeça de corte em nylon facilmente.

- Insira a chave sextavada no orifício na caixa de engrenagens e rode a anilha receptora (4) até que esteja apertada com a chave sextavada.
- Desaperte a porca (1) (fio esquerdo) com a chave de encaixe e remova a porca (1), protecção (2) e a anilha do grampo (3).

Montagem da lâmina metálica com a chave sextavada ainda fixada

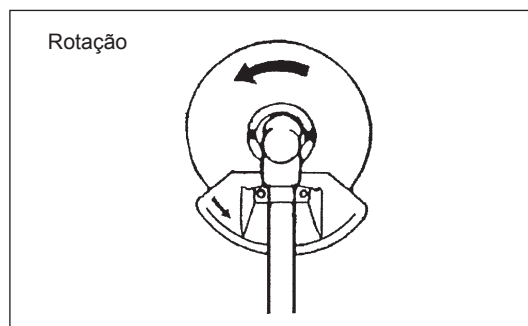
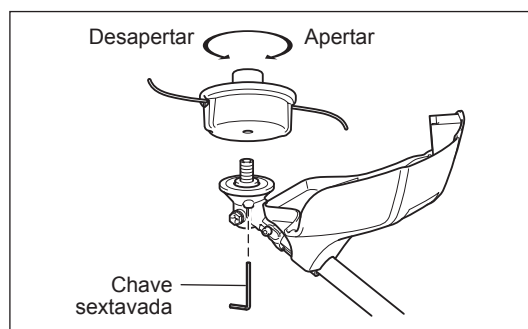
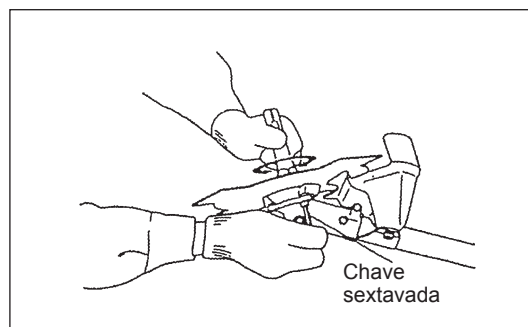
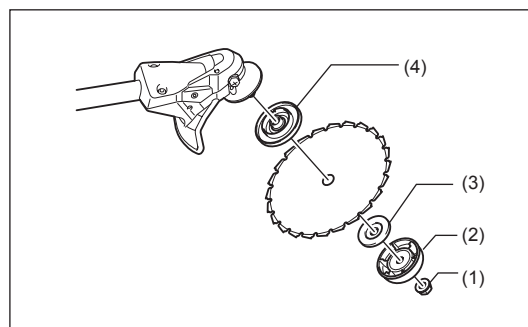
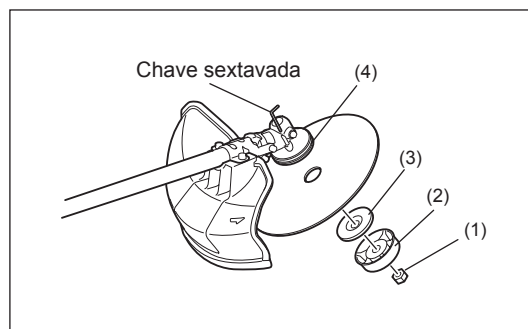
- Monte a lâmina metálica no veio para que o guia da anilha receptora (4) encaixe no orifício do mandril na lâmina metálica. Instale a anilha do grampo (3), protecção (2) e fixe a lâmina metálica com a porca (1).
[Binário de aperto: 20 - 30 N-m]

NOTA: Use sempre luvas ao manusear a lâmina metálica.

NOTA: A porca de aperto da lâmina metálica (com anilha de pressão) é uma parte consumível. Se aparecer algum desgaste ou deformação na anilha de pressão, substitua a porca.

Montagem da cabeça de corte em nylon

- A anilha do grampo (3), protecção (2) e porca (1) não são necessárias para montar a cabeça de corte em nylon. A cabeça de corte em nylon deverá estar no topo da anilha receptora (4).
- Insira a chave sextavada no orifício na caixa de engrenagens e rode a anilha receptora (4) até que esteja apertada com a chave sextavada.
- De seguida, aperte a cabeça de corte em nylon no veio rodando no sentido contrário aos ponteiros do relógio.
- Retire a chave sextavada.



ANTES DE INICIAR O FUNCIONAMENTO

Inspecção e reabastecimento óleo do motor

- Execute o procedimento seguinte, com o motor arrefecido.
- Certifique-se de que o motor se encontra numa superfície plana e verifique se o nível de óleo está entre o limite inferior ou superior do indicador de óleo.
- Se o nível de óleo estiver abaixo do limite inferior, retire o tampão de óleo e acrescente óleo.
- A área em redor das marcas externas é transparente, por isso, a quantidade de óleo no interior pode ser verificada sem ter de retirar o tampão de óleo. No entanto, se o tubo de óleo ficar extremamente sujo, pode perder a visibilidade e terá de verificar o nível de óleo na secção escalonada no interior do tubo de óleo.
- Pode ser necessário reabastecer óleo a cada 10 horas de funcionamento (a cada 10 reabastecimentos).
Se o óleo mudar de cor ou misturar-se com sujidade, substitua por um óleo novo. (Para o intervalo e método de substituição, consulte P 178.)

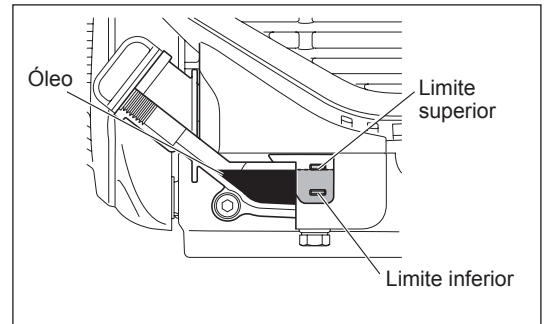
Óleo recomendado: Óleo 10W-30 SAE de classificação API, Classe SF ou superior (motor a 4 tempos para automóvel)

Volume de óleo: Aprox. 0,10 L

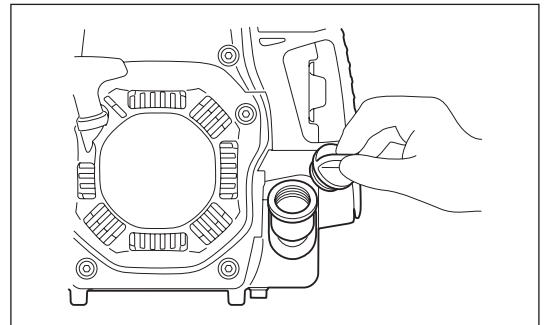
NOTA: Se o motor não estiver posicionado, conforme ilustrado, numa superfície horizontal, pode ocorrer uma indicação inexacta do nível de óleo e um abastecimento excessivo. Abastecer óleo acima do limite superior pode causar a contaminação do mesmo e/ou fumo branco.

Mudança de óleo: “Tampão de óleo”

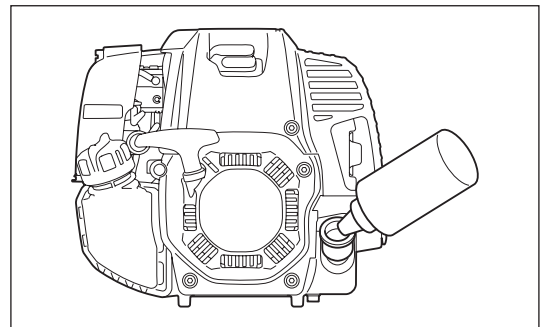
- Retire qualquer sujidade perto da entrada de abastecimento do óleo e desencaixe o tampão de óleo.
- Mantenha o tampão de óleo limpo. Caso contrário, qualquer sujidade que adira ao tampão de óleo pode causar uma circulação de óleo irregular ou desgaste nas peças do motor, que irá resultar em problemas.



(1) Mantenha o motor nivelado e desencaixe o tampão de óleo.



(2) Abasteça com óleo até à marca do limite superior.
Utilize uma garrafa de óleo quando encher.



(3) Aperte de forma segura a tampão de óleo. Um aperto insuficiente pode causar fugas de óleo.

Nota

- Não substitua o óleo com o motor numa posição inclinada.
- Abastecer com óleo enquanto o motor está inclinado resulta no abastecimento excessivo que causa contaminação de óleo e/ou fumo branco.

Após abastecer óleo

- Limpe imediatamente com um pano qualquer derrame de óleo.

ABASTECIMENTO

Lidar com o combustível

É necessário muito cuidado ao lidar com o combustível. O combustível pode conter substâncias semelhantes a solventes. O abastecimento tem de ser executado numa sala bem ventilada ou no exterior. Não inale vapores do combustível e evite qualquer contacto de combustível ou óleo com a sua pele. O contacto prolongado da sua pele com o combustível fará com que a sua pele fique extremamente seca, o que pode resultar em doenças de pele ou alergia. Se entrar combustível nos seus olhos, lave-os imediatamente com água limpa. Se os seus olhos ainda estiverem irritados, consulte imediatamente um médico.

Período de abastecimento de combustível

O combustível deve ser utilizado num período de 4 semanas, mesmo se for mantido num recipiente especial num local bem ventilado e à sombra.

Caso contrário, o combustível pode deteriorar-se num dia.

ARMAZENAMENTO DA MÁQUINA E DEPÓSITO DE ABASTECIMENTO

- Mantenha a máquina e o depósito num local fresco sem luz solar directa.
- Nunca mantenha o combustível num carro.

Combustível

O motor é um motor a quatro tempos. Utilize gasolina para automóveis sem chumbo com 87 ou mais octanas ((R+M)/2). Não pode conter mais de 10% de álcool (E-10).

Observações sobre o combustível

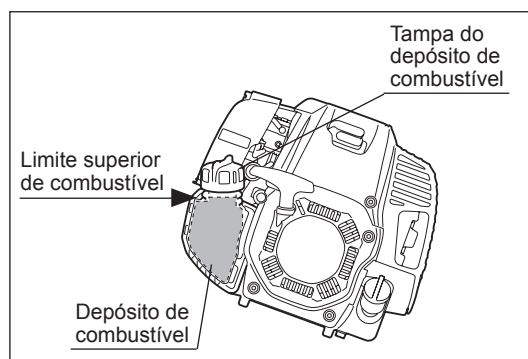
- Nunca utilize uma mistura de gasolina com óleo do motor. Caso contrário, causa uma acumulação excessiva de carbono ou problemas mecânicos.
- A utilização de óleo deteriorado irá causar um arranque irregular.

Abastecimento

AVISO: Desligue o motor antes do reabastecimento de combustível, mantenha-se longe das chamas abertas e não fume.

- Solte um pouco a tampa do depósito para libertar a pressão do depósito.
- Desencaixe a tampa do depósito e abasteça, descarregar o ar inclinando o depósito de combustível de modo a que a entrada de abastecimento esteja na vertical. **NÃO** encha o combustível até cima do depósito.
- Limpe rigorosamente a área fora da tampa do depósito para evitar que entre sujidade no depósito de combustível.
- Após o abastecimento, aperte bem a tampa do depósito.

- Se a tampa do depósito tiver falhas ou danos, substitua-a.
- O tampão do depósito desgasta-se ao longo do tempo. Substitua-o a cada dois a três anos.
- **NÃO** coloque combustível no orifício de enchimento de óleo.



MANUSEAMENTO CORRECTO DA MÁQUINA

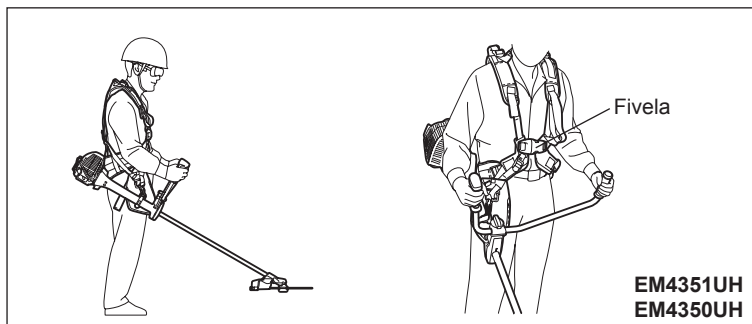
Fixação do arnés dos ombros

- Ajuste o comprimento da alça para que a lâmina metálica fique paralela ao chão.

Para EM4351UH, EM4350UH

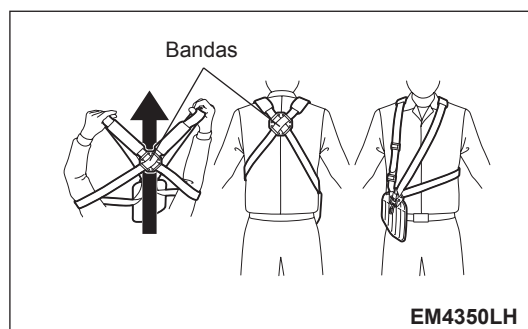
Coloque o arnés às costas, fixe com a fivela e ajuste o comprimento das bandas.

NOTA: Tenha cuidado para não prender as roupas, etc., na fivela.



Para EM4350LH

- 1) Coloque as bandas de pé. E passe os braços e a cabeça pelas bandas.
- 2) As bandas assentam nas costas e os reguladores e o gancho encontram-se no lado direito do corpo quando equipa adequadamente o arnés.



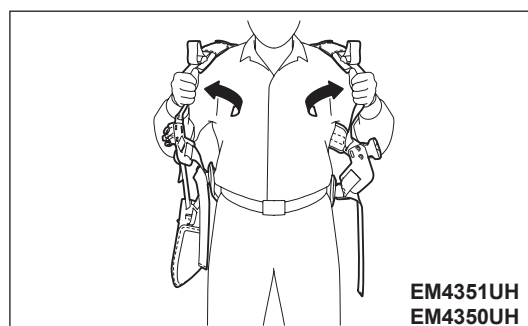
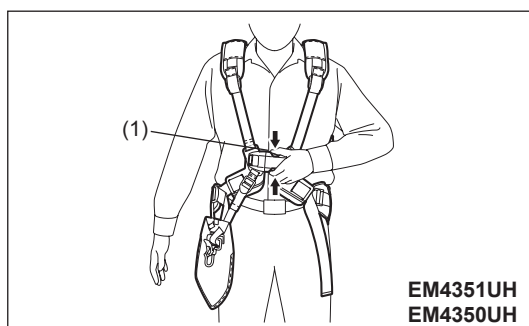
Libertar a máquina

Para EM4351UH, EM4350UH

- Para libertar a máquina, aperte as partes laterais da fivela (1) e retire o arnés dos ombros.

Certifique-se de que mantém o controlo da máquina nesta altura. Não permita que a máquina seja desviada em direcção a si ou a alguém próximo de si.

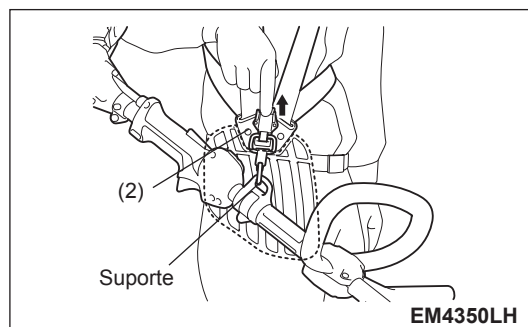
AVISO: Se não conseguir manter o controlo total do equipamento, poderá sofrer ferimentos corporais graves ou MORRER.



Para EM4350LH

- Para libertar a máquina, liberte a alavanca de desprendimento de emergência (2) ao puxar fortemente com os dedos. Certifique-se de que mantém o controlo da máquina nesta altura. Não permita que a máquina seja desviada em direcção a si ou a alguém próximo de si.

AVISO: Se não conseguir manter o controlo total do equipamento, poderá sofrer ferimentos corporais graves ou MORRER.



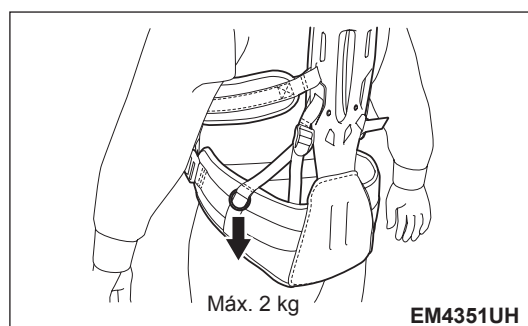
Anel de suspensão

Para EM4351UH

- Pode utilizar o anel para pendurar algo com um peso inferior a 2 kg.

ATENÇÃO : Não pendure nada com um peso superior a 2 kg no anel. Algo mais pesado no anel pode fazer com que caia e o item fique danificado.

PRECAUÇÃO: Não pendure nada no anel que possa ficar preso com arbustos. O emaranhamento pode causar a perda de equilíbrio e controlo, resultando em ferimentos pessoais.

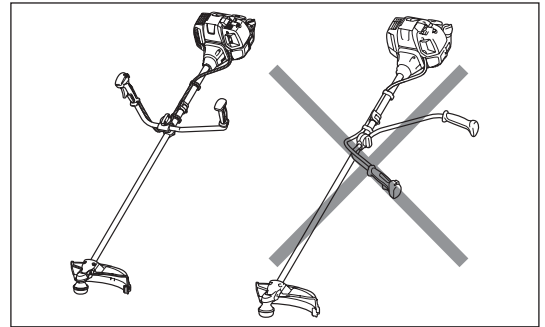


PONTOS SOBRE O FUNCIONAMENTO E COMO PARAR

Leia os regulamentos sobre prevenção de acidentes aplicáveis!



Antes de ligar o motor, coloque sempre a pega na posição correcta. Caso contrário, a ferramenta de corte pode virar subitamente e causar ferimentos, porque o cabo do acelerador pode ser puxado ou dobrado e acelerar.

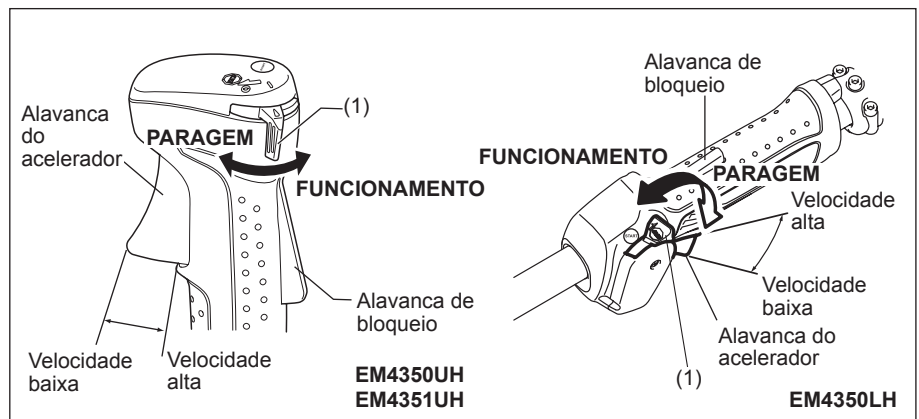


INÍCIO

Desloque no mínimo 3 m longe do local de abastecimento. Coloque a unidade no chão, tendo cuidado para que a ferramenta de corte não entre em contacto com o chão ou quaisquer outros objectos.

A: Arranque a frio

- 1) Monte esta máquina num espaço plano.
- 2) Regule o botão I-O (1) para FUNCIONAMENTO.

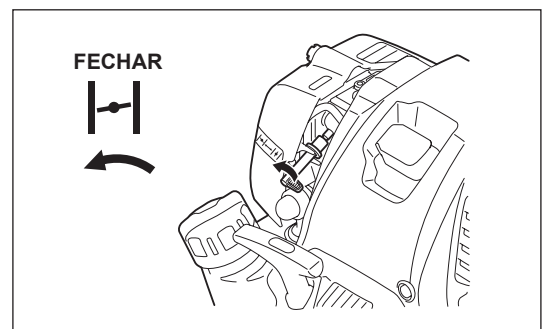


- 3) Alavanca do afogador

Feche a alavanca do afogador.

Abertura do afogador:

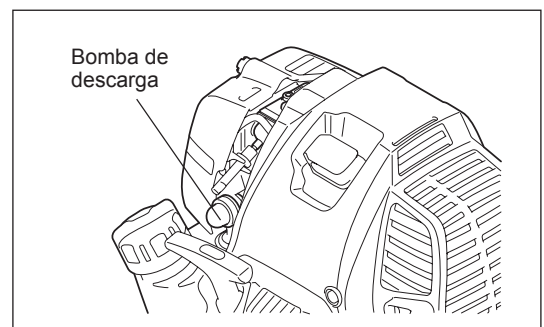
- Fecho completo no frio ou quando o motor está frio.
- Abertura completa ou até meio se o motor estiver quente, como voltar a ligar o motor imediatamente após desligar durante o aquecimento.



- 4) Bomba de descarga

Continue a empurrar a bomba de descarga até o combustível entrar na bomba de descarga. (No geral 7 a 10 empurrões.)

Se a bomba de descarga for empurrada em demasia, um excesso de gasolina regressa ao depósito de combustível.

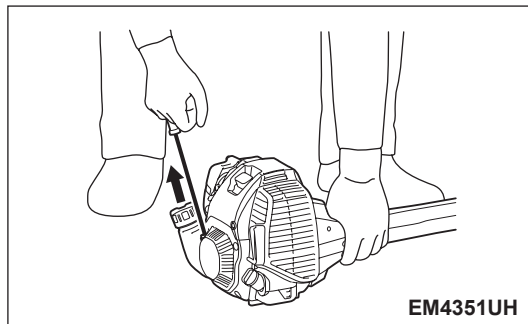
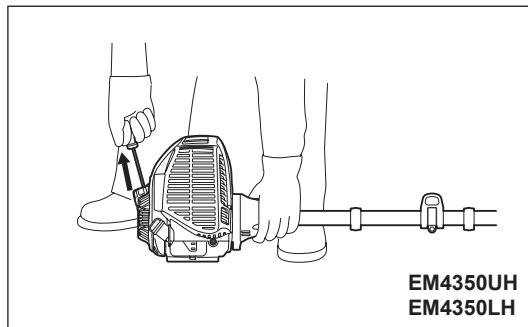


5) Fio de arranque

Assuma sempre uma posição em pé estável e firme.
Segure a unidade com a mão esquerda e pressione com firmeza.

PRECAUÇÃO: Não se coloque sobre o cabo do acelerador. O fio interno pode ser puxado e a ferramenta de corte pode começar a rodar acidentalmente.
Não abra o acelerador.

Puxe o manípulo de arranque suavemente até sentir uma certa resistência. De seguida, alivie o manípulo de arranque e puxe com força. Nunca puxe a corda ao máximo. Assim que o manípulo de arranque for puxado, nunca solte a mão imediatamente. Segure o manípulo de arranque até este voltar ao ponto de origem.



6) Alavanca do afogador

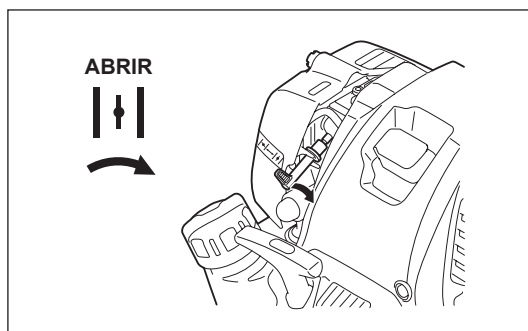
Assim que o motor arrancar, coloque a alavanca do afogador na posição ABRIR.

- Abra a alavanca do afogador progressivamente enquanto verifica o funcionamento do motor. Certifique-se de que abre a alavanca do afogador ao máximo no final.
- No frio ou quando o motor está arrefecido, nunca abra a alavanca do afogador repentinamente. Caso contrário, o motor pode parar.

7) Operação de aquecimento

Continue a operação de aquecimento durante 2 a 3 minutos.

ATENÇÃO: Não puxe desnecessariamente a alavanca do acelerador quando o motor não está em funcionamento. Pode causar fugas de combustível a partir do filtro de ar. Se isso acontecer, limpe o combustível derramado. Além disso, abra a tampa do filtro de ar e limpe o elemento e a placa do filtro de ar.



NOTA:

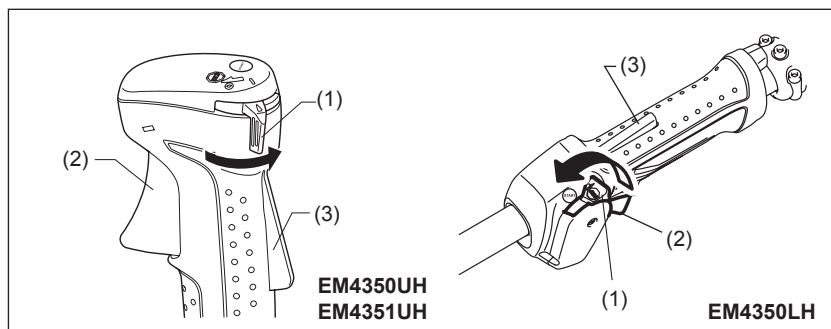
- Não puxe desnecessariamente a alavanca do acelerador quando o motor não está em funcionamento. Pode causar a entrada excessiva de combustível no motor e resultar em dificuldades no arranque do motor.
- Em caso de entrada excessiva de combustível, remova a vela de ignição e puxe a pega de arranque lentamente para remover o combustível em excesso. Também deverá limpar a secção dos eléctrodos da vela de ignição.
- Se o motor arrancar e parar ou parar logo após o arranque, coloque a alavanca do afogador na posição ABRIR e puxe novamente o manípulo do dispositivo de arranque algumas vezes para ligar o motor.
- Se a alavanca do afogador permanecer na posição FECHAR e se simplesmente puxar várias vezes o manípulo do dispositivo de arranque, será aspirado demasiado combustível e o motor terá dificuldades ao ligar.
- Não coloque o motor em altas rotações durante o aquecimento.

B: Arranque a quente

- 1) Mantenha a alavanca do afogador completamente aberta.
- 2) Empurre a bomba de descarga repetidamente.
- 3) Mantenha a alavanca do acelerador na posição de marcha lenta.
- 4) Puxe o fio de arranque com força.
- 5) Se sentir dificuldades para ligar o motor, solte a alavanca de desbloqueio (3), puxe a alavanca do acelerador (2) e mova o botão I-O (1) para a posição de bloqueio do acelerador. Ao manter o botão I-O (1) em posição, solte a alavanca do acelerador (2) e a alavanca de desbloqueio (3). De seguida, puxe o manípulo de arranque.

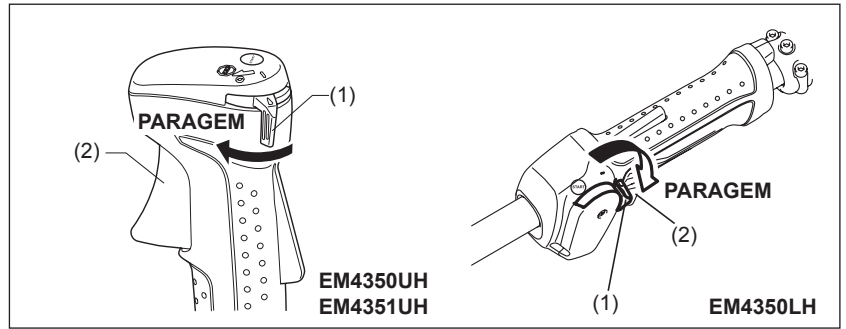
AVISO: Certifique-se de que a ferramenta de corte roda imediatamente.

- 6) Assim que o motor iniciar, solte a alavanca de desbloqueio (3) e puxe a alavanca do acelerador (2) e solte-as para colocar o motor ao ralenti.



PARAR

- 1) Solte totalmente a alavanca do acelerador (2) e quando as rpm do motor tiverem baixado, regule o botão I-O (1) para PARAGEM (STOP), o motor irá parar.
- 2) A ferramenta de corte continua a rodar um pouco após desligar o motor. Aguarde até parar por completo.

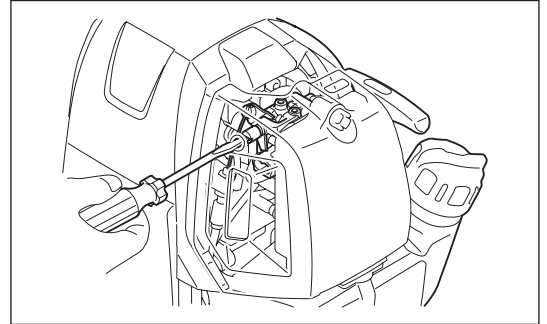


REGULAÇÃO DO RALENTI

Quando é necessário regular o ralenti, efectue através do parafuso de regulação do carburador.

VERIFICAÇÃO DO RALENTI

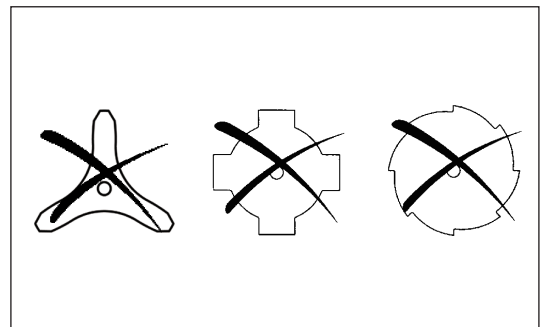
- Regule o ralenti para 3.000 min⁻¹. Se for necessário alterar o ralenti, utilize uma chave de fendas phillips no parafuso ilustrado à direita.
- Para aumentar o ralenti, rode o parafuso de regulação no sentido dos ponteiros do relógio. Para reduzir o ralenti, rode o parafuso de regulação no sentido contrário aos ponteiros do relógio.
- O carburador vem regulado de fábrica. No entanto, após várias utilizações, o ralenti necessita de ser novamente regulado.



VOLTAR A AFIAR A FERRAMENTA DE CORTE

PRECAUÇÃO: As ferramentas de corte mostradas na imagem não devem ser afiadas. Voltar a afiar manualmente resultará em desequilíbrios da ferramenta de corte causando vibrações e danos no equipamento.

NOTA: Para aumentar a vida útil da lâmina de corte, pode ser virada uma vez, até ambas as extremidades de corte ficarem gastas.



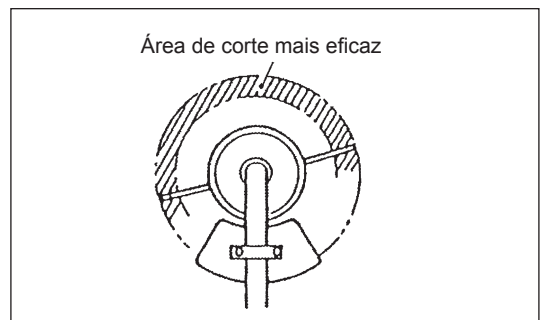
CABEÇA DE CORTE EM NYLON

A cabeça de corte em nylon é uma cabeça dupla de roçadeira com mecanismo de ressalto e fornecimento.

A cabeça de corte em nylon irá fornecer o comprimento necessário de fio nylon após tocar com a cabeça de corte em nylon no solo através das alterações na força centrífuga causada pelas rpm crescentes ou decrescentes.

Funcionamento

- Aumente a velocidade da cabeça de corte em nylon para aproximadamente 6.000 min⁻¹. Toque ligeiramente com a cabeça de corte em nylon no solo.
- A área de corte mais eficaz é mostrada pela área sombreada.
- Se o fio de nylon não fornecer, rebobine/substitua o fio de nylon seguindo os procedimentos descritos em "Substituir o fio de nylon".



Substituir o fio de nylon (RESSALTO E FORNECIMENTO)

AVISO: Certifique-se de que a tampa da cabeça de corte em nylon está fixa à armação adequadamente, como descrito abaixo. A má fixação da tampa pode fazer com que a cabeça de corte em nylon seja projectada resultando em ferimentos pessoais graves.

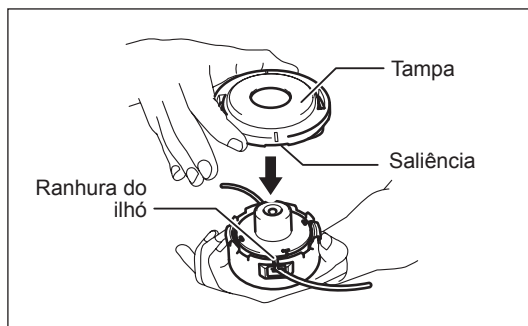
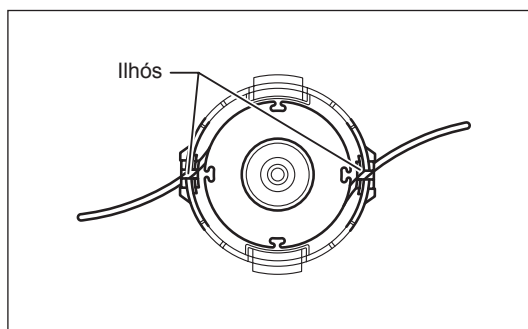
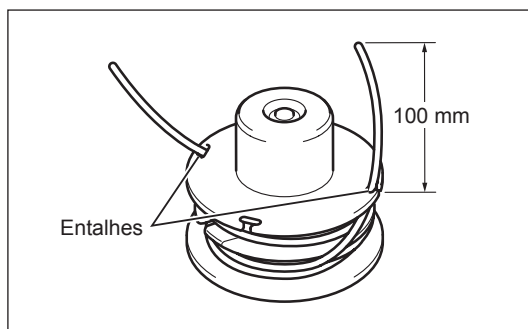
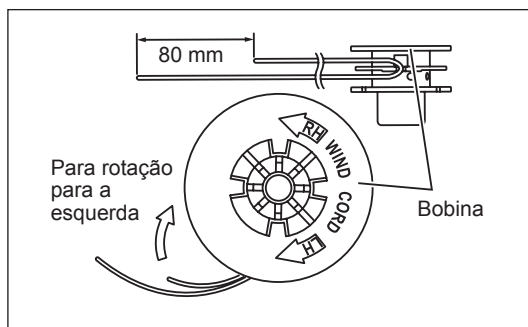
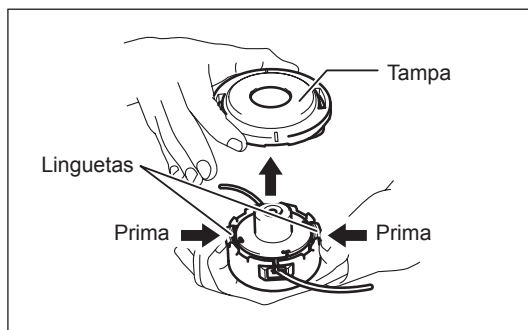
Pressione as linguetas da armação e levante para retirar a tampa. Elimine qualquer fio de nylon restante.

Engate o meio do novo fio de nylon no entalhe situado no centro da bobina entre os 2 canais fornecidos para o fio de nylon. Um lado do fio deve ser cerca de 80 mm maior do que o outro lado. Enrole ambas as extremidades na bobina no sentido marcado na cabeça para direcção para a esquerda, indicada por LH.

Enrole tudo excepto cerca de 100 mm dos fios, deixando as extremidades temporariamente presa através do entalhe no lado da bobina.

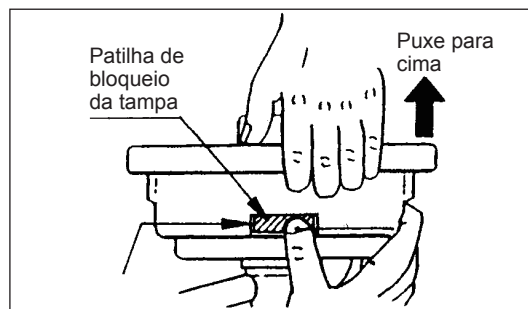
Monte a bobina na armação para que as ranhuras e as saliências na bobina correspondam com as da armação. Mantenha o lado com letras na bobina visível na parte superior. Agora, desengate as extremidades do fio da posição temporária e forneça os fios pelos ilhós para saírem pela armação.

Alinhe a saliência no lado inferior da tampa com as ranhuras dos ilhós. De seguida, empurre firmemente na armação para a fixar. Certifique-se de que os entalhes estão totalmente espalhados na tampa.

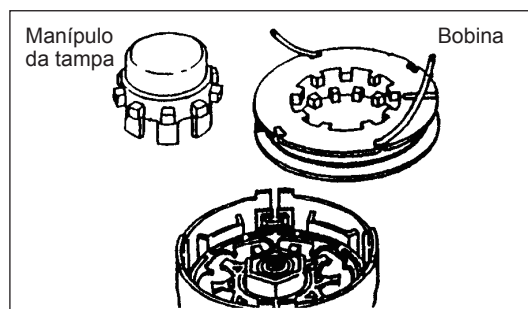


Substituir o fio de nylon (ULTRA AUTOMÁTICO)

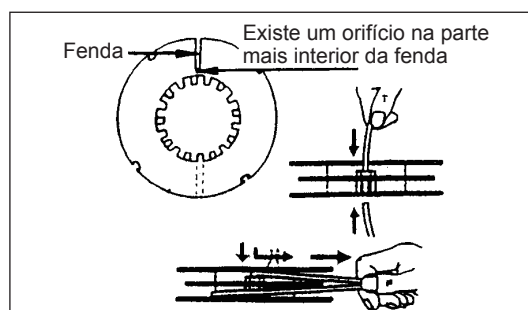
1. Retire a tampa da armação, pressionando duas patilhas de bloqueio da tampa situadas em lados opostos da armação.



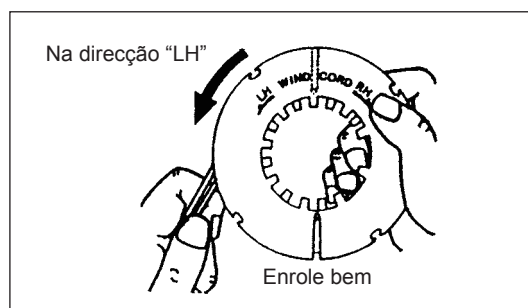
2. Retire o manípulo de tampa e a bobina da armação.



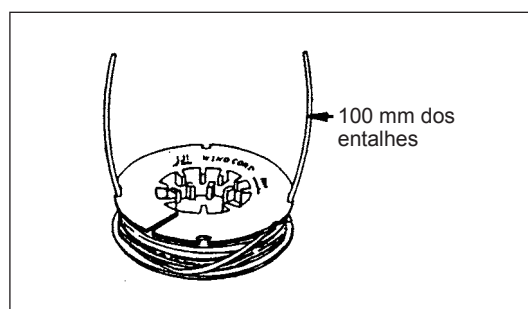
3. Coloque cada uma das linhas de corte em cada orifício na parte mais interior da ranhura numa das flanges exteriores da bobina. Coloque as linhas nas ranhuras da bobina através de cada fenda nas flanges.



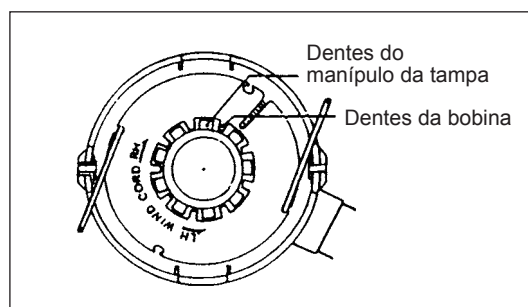
4. Enrole as linhas firmemente na direcção mostrada pela seta para a esquerda (LH) na flange. Não cruze as linhas.



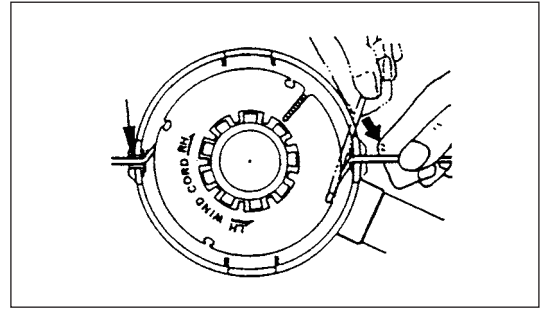
5. Enrole tudo excepto cerca de 100 mm dos fios, deixando a extremidade temporariamente presa através do entalhe no lado da bobina.



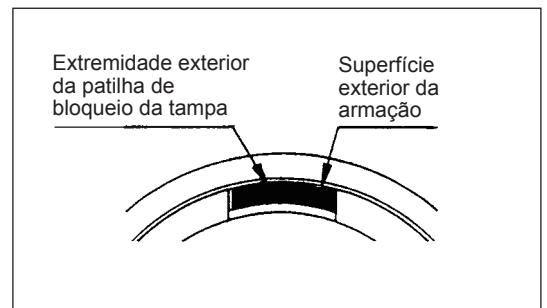
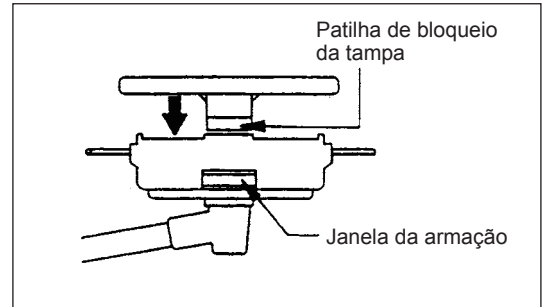
6. Coloque o manípulo da tampa no encaixe da armação, posicionando-o de modo a deslocar-se livremente para cima e para baixo contra a tensão da mola. Coloque a bobina na armação, alinhando os dentes da bobina e manípulo da tampa alternadamente como engrenagens.



7. Coloque as linhas de corte pela ranhura dos ilhós.



8. Coloque a tampa na armação, alinhando as patilhas na tampa e as janelas na armação. Certifique-se de que a tampa está bem fixa na armação. A extremidade exterior da patilha de bloqueio da tampa e a superfície exterior da armação devem estar na mesma circunferência.



INSTRUÇÕES DE SERVIÇO

PRECAUÇÃO: Antes de efectuar qualquer trabalho no equipamento, desligue sempre o motor e retire a tampa da vela de ignição (ver “verificar a vela de ignição”).

Use sempre luvas de protecção!

Para garantir um longo tempo de funcionamento e para evitar quaisquer danos no equipamento, as seguintes operações de serviço devem ser executadas em intervalos regulares.

Inspeção e manutenção diárias

- Antes do funcionamento, verifique se existem parafusos soltos na máquina ou se faltam peças. Preste especial atenção ao aperto da lâmina metálica ou da cabeça de corte em nylon.
- Antes do funcionamento, verifique sempre a passagem de ar de refrigeração e as alhetas do cilindro por obstruções. Limpe-as se necessário.
- Efectue o seguinte trabalho diariamente após a utilização:
 - Limpe o equipamento externamente e inspeccione por danos.
 - Limpe o filtro de ar. Ao trabalhar em condições de muito pó, limpe o filtro várias vezes por dia.
 - Verifique se a lâmina ou a cabeça de corte em nylon estão danificadas e certifique-se de que estão devidamente montadas.
 - Verifique se existe diferença suficiente entre as velocidades de marcha lenta e de embraiagem para se certificar de que a ferramenta de corte está num ponto de imobilização enquanto o motor está em marcha lenta (se necessário, reduza a velocidade de marcha lenta). Se em condições de marcha lenta a ferramenta ainda continuar a funcionar, consulte o Agente de Serviço Autorizado mais próximo.
- Verifique o funcionamento do botão I-O, a alavanca de bloqueio, a alavanca do acelerador e o botão de bloqueio.

SUBSTITUIÇÃO DO ÓLEO DO MOTOR

Um óleo do motor deteriorado diminuirá a vida do motor. Certifique-se de que verifica regularmente o óleo e o nível.



AVISO: O motor e o óleo do motor ainda estão quentes após desligar o motor. Permita tempo suficiente para o motor e o óleo do motor arrefecerem. Caso contrário, pode resultar em queimaduras.

NOTA: Se o óleo estiver acima do limite, pode estar contaminado ou pode incendiar-se com fumo branco. Após desligar o motor, permita tempo suficiente para o óleo do motor regressar ao depósito de óleo, para garantir uma leitura exacta do nível de óleo.

Intervalo de substituição: Após 20 horas de funcionamento, seguido de 50 horas de funcionamento.

Óleo recomendado: Óleo 10W-30 SAE de classificação API, Classe SF ou superior (motor a 4 tempos para automóvel)

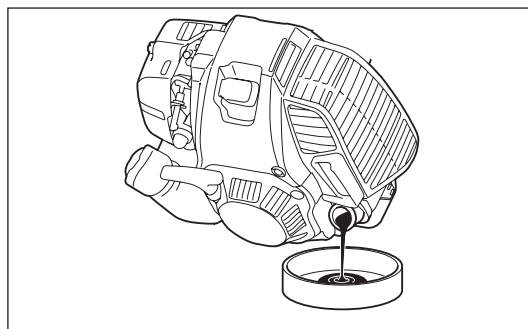
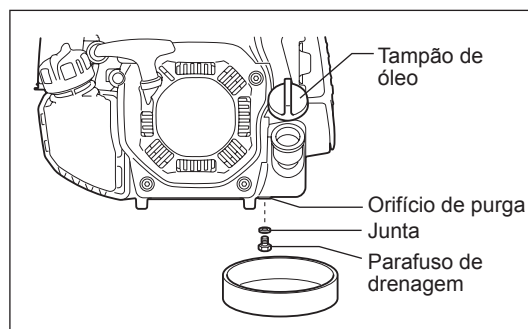
Aquando da substituição, execute o procedimento seguinte.

- 1) Certifique-se de que a tampa do depósito de combustível está bem apertada.
- 2) Coloque um recipiente grande sob o orifício de purga.
- 3) Remova o parafuso de drenagem e retire a tampa do óleo para drenar o óleo a partir do respectivo orifício. Neste momento, certifique-se de que não solta a junta do parafuso de drenagem ou que nenhum dos componentes removidos fica sujo.
- 4) Quando todo o óleo tiver sido drenado, instale a junta e o parafuso de drenagem e aperte bem o parafuso de drenagem, de forma a que não fique solto nem cause fugas.
[Binário de aperto: 5 N-m]

* Utilize um pano para limpar qualquer óleo no parafuso e equipamento.

Método de purga alternativo

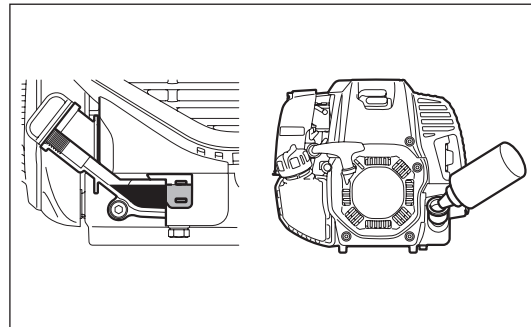
Retire o tampão de óleo, incline o equipamento na direcção do orifício de enchimento de óleo e purgue o óleo. Recolha o óleo num recipiente.



- 5) Defina o nível do motor e abasteça gradualmente até à marca do limite superior com óleo novo.
- 6) Depois de encher, aperte a tampa do óleo, de forma a que não se solte e provoque fugas.
Se a tampa do óleo não estiver bem fixa, pode ter uma fuga.

PONTOS SOBRE O ÓLEO

- Nunca elimine o óleo do motor substituído no lixo, terra ou sarjeta. A eliminação do óleo está regulada por lei. Aquando da eliminação, siga sempre as respectivas leis e regulações. Para quaisquer pontos que permaneçam desconhecidos, contacte o Agente de Serviço Autorizado.
- O óleo irá deteriorar mesmo quando não é utilizado. Execute a inspeção e a substituição a intervalos regulares (substitua por óleo novo a cada 6 meses).



LIMPEZA DO FILTRO DE AR



AVISO: Desligue o motor, mantenha-se longe das chamas abertas e não fume.

Intervalo de limpeza e inspeção: Diariamente (a cada 10 horas de funcionamento)

- Rode a alavanca do afogador para o lado totalmente fechado e mantenha o carburador longe de qualquer pó ou sujidade.

Remover a tampa do filtro de ar

- Solte o gancho na tampa do filtro de ar pressionando a alça na placa.
- Solte o parafuso de fixação.
- Puxe e retire a tampa do filtro de ar.

Elemento filtrante

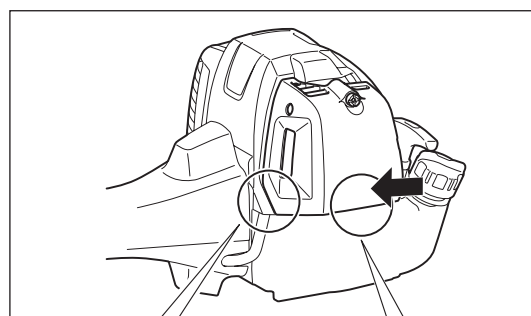
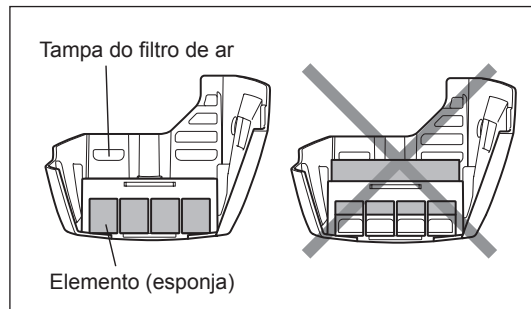
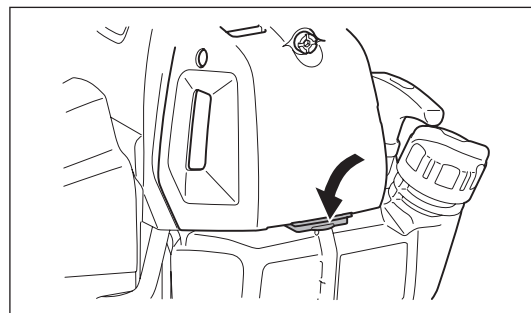
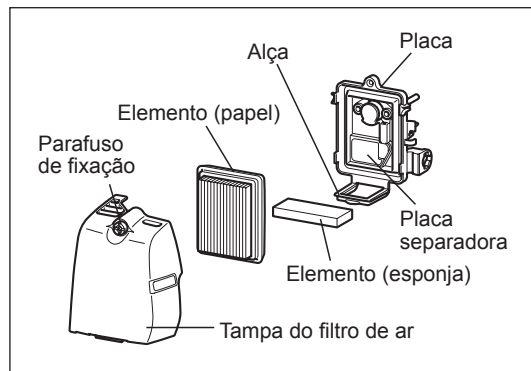
- Remova os elementos e sacuda-os para remover a sujidade.
- Em caso de forte contaminação:
 - 1) Retire o elemento (esponja), coloque-o dentro de água quente ou detergente neutro solúvel na água e seque-o por completo. Não o esprema nem o esfregue ao lavar.
 - 2) Limpe o elemento (papel) ao sacudi-lo suavemente. Se puder utilizar uma pistola de ar, ventile o ar comprimido para o interior do elemento (papel). Não lave o elemento (papel).
- Antes de encaixar o elemento (esponja), certifique-se de que o seca por completo. Uma secagem incompleta do elemento (esponja) pode provocar um arranque difícil.
- Limpe o óleo residual em torno da tampa do filtro de ar e a placa separadora com um pano de desperdícios.

Colocar a tampa do filtro de ar

- Coloque o elemento (esponja) e o elemento (papel). Introduza o elemento (esponja) ao máximo na tampa do filtro de ar.
- Insira o gancho lateral na tampa do filtro de ar, como ilustrado, e empurre a parte inferior da tampa do filtro de ar até que clique, de forma a que o gancho assente bem na alça. De seguida, aperte a tampa do filtro de ar com o parafuso de fixação.

ATENÇÃO:

- Limpe os elementos várias vezes ao dia, em caso de excesso de pó. Os elementos sujos reduzem a potência do motor e tornam difícil o arranque do motor.
- Remova o óleo dos elementos. Se o funcionamento continuar com os elementos ainda com óleo, o óleo no filtro de ar pode transbordar resultando na contaminação do ambiente.
- Não coloque os elementos no solo ou num local sujo. Caso contrário, captam sujidade e resíduos e podem danificar o motor.
- Nunca utilize combustível para limpar os elementos. O combustível pode danificá-los.



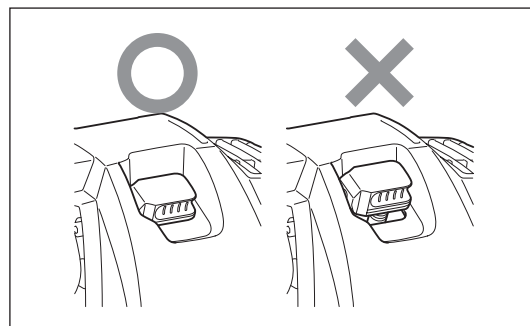
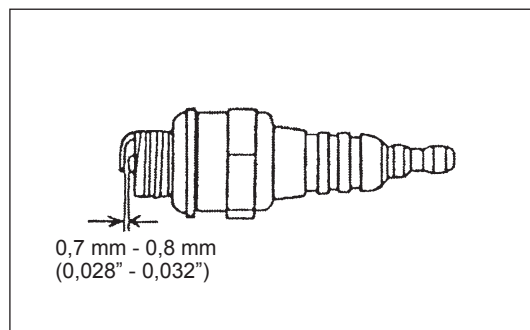
Gancho lateral

Gancho

VERIFICAR A VELA DE IGNIÇÃO

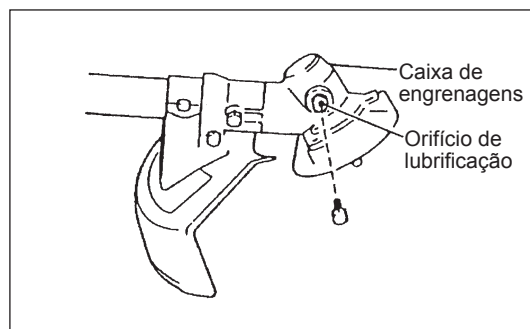
- Utilize apenas a chave universal fornecida para remover ou instalar a vela de ignição.
 - O espaço entre os dois eléctrodos da vela de ignição deverá estar a 0,7 – 0,8 mm. Se o espaço for demasiado largo ou estreito, ajuste-o. Se a vela de ignição estiver entupida ou contaminada, limpe-a rigorosamente ou substitua-a.
- Após verificar, coloque o tampão conforme ilustrado.

PRECAUÇÃO: Nunca toque no conector da vela de ignição enquanto o motor estiver a trabalhar (perigo de choque eléctrico de alta tensão).



FORNECIMENTO DE LUBRIFICAÇÃO PARA A CAIXA DE ENGRENAGENS

- Forneça lubrificação (Shell Alvania 2 ou equivalente) para a caixa de engrenagens através do orifício de lubrificação a cada 30 horas. (Lubrificação MAKITA pode ser adquirida no seu revendedor MAKITA.)

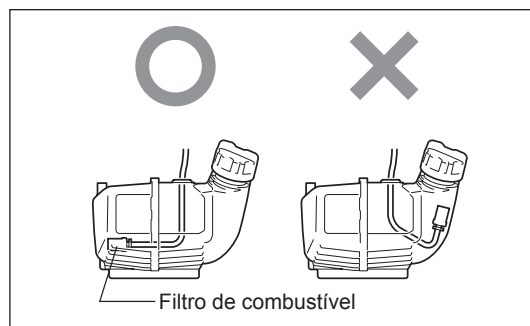
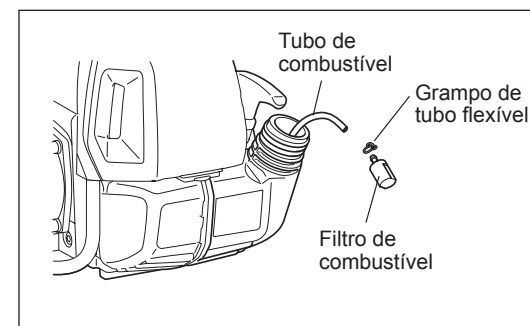


LIMPEZA DO FILTRO DE COMBUSTÍVEL AVISO: INFLAMÁVEIS ESTRITAMENTE PROIBIDOS

Intervalo de limpeza e inspecção: Mensalmente (a cada 50 horas de funcionamento)

Cabeça de sucção no depósito de combustível

- O filtro de combustível (1) da cabeça de sucção é utilizado para filtrar o combustível requerido pelo carburador.
- Deve ser efectuada uma inspecção periódica do filtro de combustível. Abra a tampa do depósito, utilize um gancho metálico e retire a cabeça de sucção pela abertura do depósito. Se o filtro estiver rígido ou entupido, substitua-o.
- Substitua o filtro de combustível, no mínimo, a cada três meses para garantir um fornecimento de combustível suficiente para o carburador. Caso contrário, um fornecimento de combustível insuficiente irá causar falhas no arranque do motor e uma velocidade máxima limitada.
- Após a verificação, limpeza ou substituição, fixe o filtro de combustível no tubo de combustível com o grampo de tubo flexível. Empurre o filtro de combustível ao máximo para a parte inferior do depósito de combustível.



SUBSTITUIÇÃO DO TUBO DE COMBUSTÍVEL

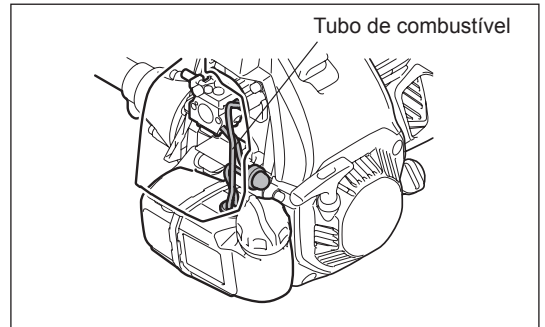
PRECAUÇÃO: INFLAMÁVEIS ESTRITAMENTE PROIBIDOS

Intervalo de limpeza e inspeção: Diariamente (a cada 10 horas de funcionamento)

Substituição: Anualmente (a cada 200 horas de funcionamento)

Substitua o tubo de combustível todos os anos, independentemente da frequência de funcionamento. As fugas de combustível podem provocar um incêndio.

Se detectar alguma fuga durante a inspeção, substitua o tubo de combustível imediatamente.



INSPEÇÃO DE PARAFUSOS E PORCAS

- Reaperte parafusos e porcas desapertados, etc.
- Verifique se as tampas do combustível e do óleo estão bem apertadas. Inspeccione por fugas de combustível e óleo.
- Substitua as peças danificadas por peças novas para um funcionamento seguro.

LIMPEZA DAS PEÇAS

- Mantenha sempre o motor limpo ao limpar com um pano.
- Mantenha as alhetas do cilindro limpas. O pó ou sujidade que adira às alhetas irá causar falha do êmbolo.

SUBSTITUIÇÃO DAS JUNTAS E EMPANQUES

Substitua as juntas e os empanques se o motor estiver desmontado.

Qualquer manutenção ou ajuste que não esteja incluído e descrito neste manual deve ser efectuado apenas pelos Agentes de Serviço Autorizados.

ARMAZENAMENTO

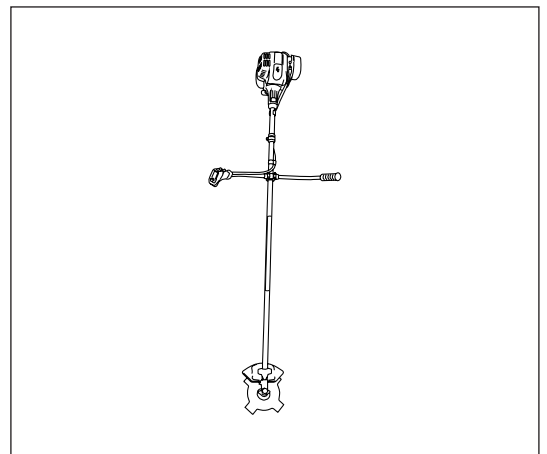


AVISO: O motor ainda está quente após desligar o motor. Ao purgar o combustível, permita tempo suficiente para o motor arrefecer após desligá-lo. Caso contrário, pode resultar em queimaduras e/ou incêndios.



PERIGO: Quando a máquina não é utilizada durante um longo período, purgue todo o combustível do depósito de combustível e carburador e guarde-a num local seco e limpo.

- Purgue o combustível do depósito de combustível e carburador de acordo com o procedimento seguinte:
 - 1) Retire a tampa do depósito de combustível e purgue o combustível por completo.
Se restar algumas substâncias estranhas no depósito de combustível, retire-as por completo.
 - 2) Retire o filtro de combustível da entrada de abastecimento utilizando um fio.
 - 3) Empurre a bomba de descarga até purgar combustível e purgue o combustível que entra no depósito de combustível.
 - 4) Coloque novamente o filtro no depósito de combustível e aperte bem a tampa do depósito de combustível.
 - 5) De seguida, continue a operar o motor até parar.
- Retire a vela de ignição e goteje várias gotas de óleo do motor pelo orifício da vela de ignição.
- Puxe suavemente a pega de arranque para que o óleo do motor se espalhe pelo motor e encaixe a vela de ignição.
- Encaixe a tampa na lâmina metálica.
- De maneira geral, guarde a máquina na horizontal, ou se não for possível, coloque a máquina de maneira a que ferramenta de corte saia abaixo do motor. Tome atenção à forma como guarda a máquina, para evitar que caia. Caso contrário, pode provocar ferimentos.
- Guarde o combustível purgado num recipiente especial num local bem ventilado.



Atenção após armazenamento de longa duração

- Antes do arranque após paragem de longa duração, certifique-se de que substituiu o óleo (consulte P 178). O óleo irá deteriorar enquanto a máquina não é utilizada.

Item	Tempo de funcionamento									P correspondente
		Antes do funcionamento	Após reabastecer	Diária (10h)	30h	50h	200h	Antes de armazenar		
Óleo do motor	Inspeccione/limpe	○								169
	Substitua					○*1				178
Peças de aperto (parafuso, porca)	Inspeccione	○								180
Depósito de combustível	Limpe/inspeccione	○								—
	Drenar o combustível							○*3		181
Alavanca do acelerador	Verifique função		○							—
Interruptor de paragem	Verifique função		○							178
Ferramenta de corte	Inspeccione	○		○						166
Velocidade a marcha lenta	Inspeccione/ajuste			○						174
Filtro de ar	Limpe			○						179
Vela de ignição	Inspeccione			○						180
Passagem de ar de refrigeração e alhetas do cilindro	Limpe/inspeccione			○						181
Tubo de combustível	Inspeccione			○						181
	Substitua							◎*2		—
Lubrificação caixa de engrenagens	Abastecimento				○					180
Filtro de combustível	Limpe/substitua					○				180
Folga da válvula (válvula de admissão e válvula de escape)	Inspeccione/ajuste							◎*2		—
Carburador	Drenar o combustível							○*3		181

*1 Efectue a substituição inicial após 20 horas de funcionamento.

*2 Para a inspecção de 200 horas de funcionamento, contacte o Agente de Serviço Autorizado ou loja da máquina.

*3 Após esvaziar o depósito de combustível, deixe o motor em funcionamento e purgue o combustível no carburador.

RESOLUÇÃO DE PROBLEMAS

Antes de efectuar um pedido para reparações, verifique você mesmo o problema. Se encontrar uma anomalia, controle a máquina de acordo com a descrição neste manual. Nunca altere nem desmonte qualquer peça contrária à descrição. Para reparações, contacte o Agente de Serviço Autorizado ou concessionário local.

Estado de anomalia	Causa provável (avaria)	Solução
O motor não arranca	O botão I-O está definido para PARAGEM (STOP).	Regule o botão I-O para FUNCIONAMENTO.
	Falha ao operar a bomba de descarga	Empurre 7 a 10 vezes
	Velocidade de puxo baixa da corda de arranque	Puxe com força
	Falta de combustível	Forneça combustível
	Filtro de combustível obstruído	Limpe
	Tubo de combustível quebrado	Endireite o tubo de combustível
	Combustível deteriorado	O combustível deteriorado torna o arranque mais difícil. Substitua por combustível novo. (Substituição recomendada: 1 mês)
	Aspiração excessiva de combustível	Regule a alavanca do acelerador de velocidade média para velocidade elevada e puxe a pega de arranque até o motor arrancar. Assim que o motor arrancar, a lâmina metálica começa a rodar. Preste muita atenção à lâmina metálica. Se mesmo assim o motor não pegar, retire a vela de ignição, seque o eléctrodo e monte-os da forma original. De seguida, ligue como especificado.
	Tampa da vela desencaixada	Encaixe bem
	Vela de ignição contaminada	Limpe
	Folga anómala da vela de ignição	Ajuste a folga
	Outra anomalia da vela de ignição	Substitua
	Carburador anómalo	Peça uma inspecção e manutenção.
	A corda de arranque não pode ser puxada	Peça uma inspecção e manutenção.
Sistema de accionamento anómalo	Peça uma inspecção e manutenção.	
O motor pára rapidamente A velocidade do motor não aumenta	Aquecimento insuficiente	Execute a operação de aquecimento
	A alavanca do afogador está regulada para "FECHAR" apesar do motor estar quente.	Regule para "ABRIR"
	Filtro de combustível obstruído	Limpe
	Filtro de ar contaminado ou obstruído	Limpe
	Carburador anómalo	Peça uma inspecção e manutenção.
	Sistema de accionamento anómalo	Peça uma inspecção e manutenção.
A lâmina metálica não roda ↓ Pare o motor imediatamente	Porca de aperto da lâmina metálica desapertada	Aperte bem
	Paus apanhados pela lâmina metálica ou tampa de prevenção de dispersão.	Retire as substâncias estranhas
	Sistema de accionamento anómalo	Peça uma inspecção e manutenção.
A unidade principal vibra de forma anómala ↓ Pare o motor imediatamente	Lâmina metálica quebrada, dobrada ou gasta	Substitua a lâmina metálica
	Porca de aperto da lâmina metálica desapertada	Aperte bem
	Parte convexada desviada da lâmina metálica e suporte da lâmina metálica.	Encaixe bem
	Sistema de accionamento anómalo	Peça uma inspecção e manutenção.
A lâmina metálica não pára imediatamente ↓ Pare o motor imediatamente	Rotação a marcha rápida	Ajuste
	Fio de acelerador desencaixado	Encaixe bem
	Sistema de accionamento anómalo	Peça uma inspecção e manutenção.
O motor não pára ↓ Coloque o motor em marcha lenta e regule a alavanca do afogador para FECHAR	Conector desencaixado	Encaixe bem
	Sistema eléctrico anómalo	Peça uma inspecção e manutenção.

Quando o motor não arranca após a operação de aquecimento:

Se não encontrar nenhuma anomalia nos itens de verificação, abra o regulador de velocidade cerca de 1/3.



Tak fordi du har købt en MAKITA udendørsmaskine. Vi er glade for at kunne anbefale dig dette MAKITA-produkt, der er resultatet af et langt udviklingsprogram og mange års viden og erfaring. Læs venligst dette hæfte der i detaljer gennemgår de forskellige punkter, som demonstrerer maskinens fremragende ydeevne. Det vil gøre dig i stand til at opnå det bedst mulige resultat med dit MAKITA-produkt.



Indhold	Side
Symboler	184
Sikkerhedsanvisninger	185
Tekniske data.....	189
Delenes betegnelser.....	190
Montering af håndtag.....	191
Montering af skærm.....	192
Montering af metalklinge eller nylontrimmerhoved....	194
Inden anvendelse	195
Korrekt håndtering af maskinen.....	197
Punkter vedrørende betjening og stopprocedure	198
Slibning af skæreværktøjet.....	200
Vedligeholdelsesinstruktioner	204
Opbevaring.....	207

SYMBOLER

Du skal være opmærksom på følgende symboler, når du læser brugsanvisningen.

	Læs brugsanvisningen og overhold advarsels- og sikkerhedsforholdsreglerne!		Hold arbejdsområdet fri for personer og dyr!
	Vær særlig forsigtig og opmærksom!		Bær hjelm, øjen- og høreværn!
	Forbudt!		Maksimal tilladelig hastighed for værktøj
	Hold afstand!		Brændstof (Benzin)
	Risiko for flyvende genstande!		Manuel start af motor
	Tilbageslag!		Nødstop
	Rygning forbudt!		Førstehjælp
	Brug af åben ild forbudt!		TÆNDT/START
	Der skal anvendes beskyttelseshandsker!		SLUKKET/STOP
	Anvend kraftige støvler med skridsikre såler. Sikkerhedssko med stål næse anbefales!		GASLÅS-POSITION

SIKKERHEDSANVISNINGER

Generelle retningslinjer

- Læs denne brugsanvisning så du bliver fortrolig med håndteringen af maskinen. Brugere, som ikke kender tilstrækkeligt til anvendelsen, er til fare for dem selv og andre pga. forkert håndtering af maskinen.
- Det anbefales kun at udlåne maskinen til personer, som har erfaring med håndtering af sådanne maskiner. Overdrag altid brugsanvisningen.
- Førstegangsbrugere bør bede forhandleren om grundlæggende instrukser for at få kendskab til håndteringen af en buskryddere.
- Børn og personer under 18 år må ikke anvende maskinen. Personer over 16 må anvende maskinen til træningsformål under vejledning af en kvalificeret underviser.
- Anvend maskinen med allerstørste omhu og opmærksomhed.
- Anvend kun maskinen hvis du er ved godt helbred. Udfør alt arbejde roligt og forsigtigt. Brugeren har ansvaret for andre.
- Anvend aldrig denne maskine efter indtagelse af alkohol eller medicin, eller hvis du føler dig træt eller dårligt tilpas.
- Nationale bestemmelser kan begrænse brugen af maskinen.

Beregnet brug af maskinen

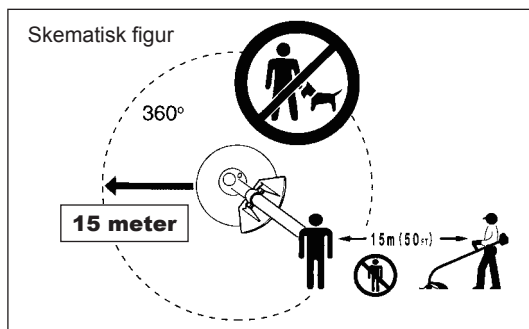
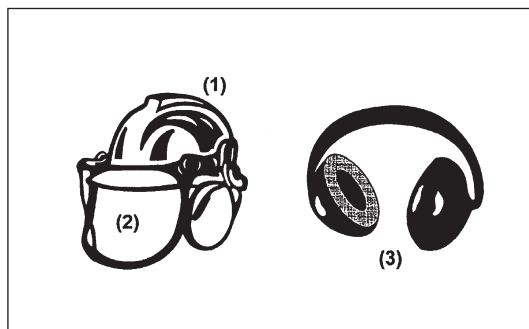
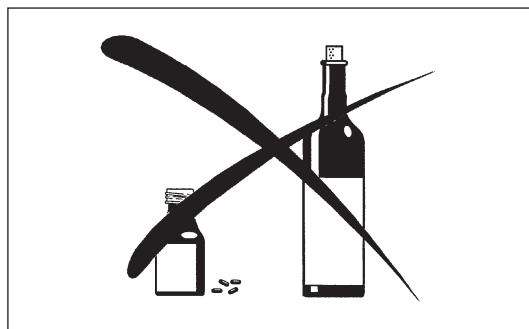
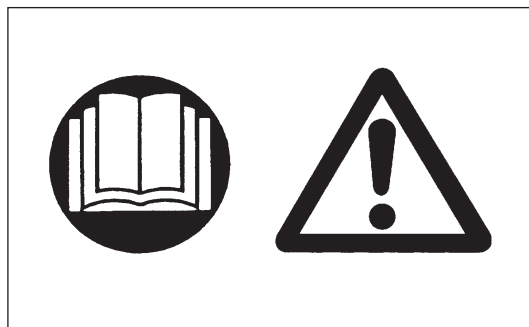
- Denne maskine er kun beregnet til klipping af græs, ukrudt, buske og bundvegetation. Den må ikke bruges til andre formål som f.eks. kantafretning eller hækkeklipping, eftersom det kan medføre personskader.

Personligt sikkerhedsudstyr

- Der skal bæres funktionelt og passende tøj, dvs. det bør sidde tæt, men ikke være til hindring. Bær ikke smykker eller tøj, der kan sidde fast i buske eller krat.
- For at undgå skader på hoved, øjne, hænder eller fødder samt for at beskytte din hørelse, skal du altid bære følgende sikkerhedsudstyr og beskyttelsesbeklædning under anvendelsen.
- Bær altid en hjelm på steder hvor der er risiko for, at ting falder ned. Beskyttelseshjelm (1) skal med jævne mellemrum efterses for skader, og skal udskiftes mindst hvert 5 år. Brug kun godkendte beskyttelseshjelme.
- Hjelmens visir (2) (eller alternativt beskyttelsesbriller) beskytter ansigtet mod flyvende afskårne dele og sten. Der skal der altid anvendes beskyttelsesbriller eller et visir under anvendelsen for at forhindre øjenskader.
- Anvend passende midler til beskyttelse mod støj for at undgå hørenedsættelse (hørevern (3) ørepropper m.v.).
- Arbejdsoveralls (4) beskytter mod flyvende sten og afskårne stykker. Vi anbefaler på det kraftigste, at brugeren anvender arbejdsoveralls.
- Handsker (5) er en del af det foreskrevne udstyr og skal altid bæres under anvendelsen.
- Når du anvender maskinen, skal du altid have solide sko (6) med skridsikre såler på. Dette beskytter mod skader og sikrer et godt fodfæste.

Start af buskrydderen

- Sørg venligst for, at der ikke er nogen børn eller andre personer inden for et arbejdsområde på 15 meter, samt vær opmærksom på eventuelle dyr i nærheden af arbejdsområdet.
- Før arbejdet påbegyndes, skal du altid kontrollere, at maskinen er klar til drift: Kontroller sikkerheden af skæreværktøjet, om gashåndtaget glider nemt, samt kontroller at gashåndtagsslåsen virker.
- Skæreværktøjet må ikke rotere i tomgang. Forhør dig hos din forhandler angående justering, hvis du er i tvivl. Sørg for, at håndtagene er rene og tørre og test funktionen af start/stop-kontakten.

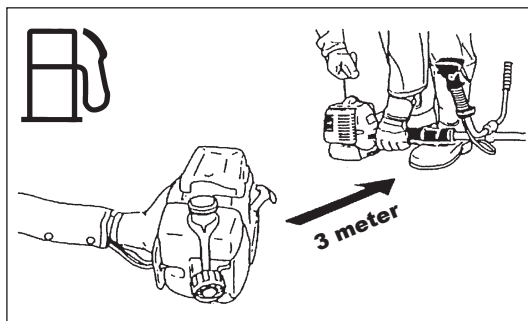
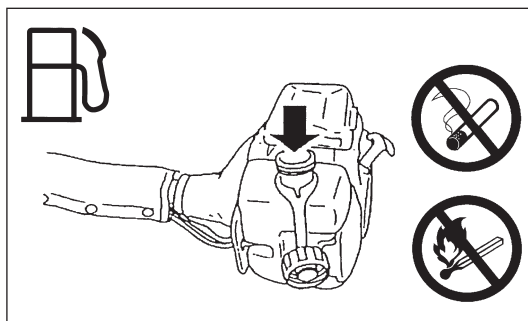
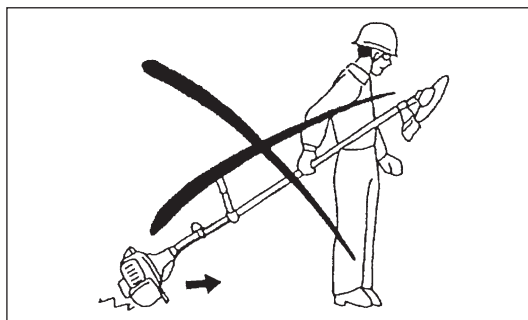
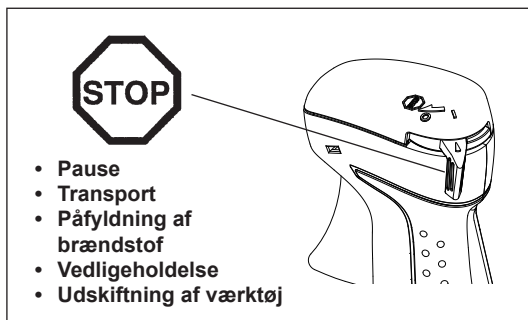
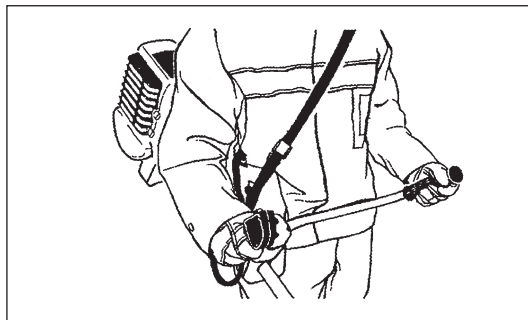
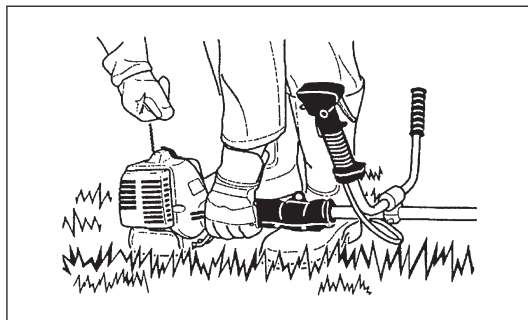


Start kun buskrydderen som beskrevet i brugsanvisningen.

- Benyt ikke andre metoder til at starte motoren med!
- Brug kun buskrydderen og værktøjerne til de specificerede anvendelser.
- Start kun motoren, når monteringen er fuldstændig udført. Det er kun tilladt at anvende maskinen, efter alt tilbehøret er monteret!
- Inden du starter, skal du sikre dig, at skæreværktøjet ikke er i kontakt med hårde objekter som f.eks. grene, sten eller lignende, eftersom skæreværktøjet drejer rundt, når du starter.
- Motoren skal øjeblikkeligt slås fra i tilfælde af motorproblemer.
- Skulle skæreværktøjet ramme sten eller andre hårde objekter, skal du straks slukke for motoren og efterse skæreværktøjet.
- Efterse skæreværktøjet for skader med korte jævne mellemrum (efterse for hårridses vha. banke-støj-testen).
- Hvis maskinen bliver udsat for stærkt tryk eller tabes, skal du kontrollere dens tilstand, inden du fortsætter arbejdet. Kontroller brændstofsyste­met for brændstoflækage samt betjenings- og sikkerhedsudstyr for funktionsfejl. Hvis der er nogen skader eller tvivsspørgsmål, skal du bede vores autoriserede servicecenter om at foretage eftersyn og reparation.
- Anvend kun maskinen med bæreselen monteret, der desuden skal være ordentligt justeret, inden buskrydderen anvendes. Det er vigtigt at justere bæreselen i henhold til brugerens størrelse for at forhindre træthed under brug. Hold aldrig buskrydderen med kun én hånd under brug.
- Buskrydderen skal altid holdes med begge hænder under anvendelsen. Sørg altid for at have et godt fodfæste.
- Anvend maskinen på en sådan måde, at du undgår at indånde udstødningsgasserne. Lad aldrig motoren køre i indelukkede rum (risiko for gasforgiftning). Kulilte er en lugtfri gas.
- Sluk for motoren under pauser og når maskinen efterlades uden opsyn, og placer den på et sikkert sted for at forhindre at den er til fare for andre, eller maskinen beskadiges.
- Læg aldrig den varme buskrydder på tørt græs eller andre letantændelige materialer.
- Monter altid den godkendte afskærmning for skæreværktøj på maskinen, inden du starter motoren. Ellers kan kontakt med skæreværktøjet muligvis medføre alvorlig personskade.
- Alle sikkerhedsinstallationer og skærme, der følger med maskinen, skal anvendes under betjeningen.
- Anvend aldrig motoren med en defekt lyddæmper.
- Sluk for motoren under transport.
- Monter altid afskærmningen på metalklingen, når du transporterer maskinen.
- Sørg for at placere maskinen sikkert under biltransport for at undgå brændstoflækage.
- Sørg for at brændstoftanken er helt tom under transport.
- Når maskinen tages af vognen, må motoren aldrig tabes på jorden, eftersom dette kan medføre alvorlig beskadigelse af brændstoftanken.
- Undtagen i nødstilfælde må du aldrig tabe eller kaste maskinen ned på jorden, ellers kan dette beskadige maskinen alvorligt.
- Husk altid at løfte hele maskinen op fra jorden, når du flytter den. Det er yderst farligt at trække brændstoftanken hen over jorden, og det kan forårsage skader samt lækage af brændstof, der muligvis kan medføre brandudvikling.

Påfyldning af brændstof

- Sluk for motoren under påfyldning af brændstof, hold maskinen væk fra åben ild, samt undlad ryge.
- Undgå hudkontakt med mineralske olieprodukter. Indånd ikke brændstofdampe. Bær altid beskyttelsehandsker under påfyldning af brændstof. Skift og rens beskyttelsesbeklædningen med jævne mellemrum.
- Pas på ikke at spilde hverken brændstof eller olie for at forhindre forurening af jorden (miljøbeskyttelse). Rengør omgående buskrydderen, hvis du har spildt brændstof.
- Undgå at få brændstof på tøjet. Skift øjeblikkeligt tøj, hvis der kommer brændstof på (for at undgå at der går ild i tøjet).
- Efterse brændstofdækslet med jævne mellemrum for at sikre, at det kan lukkes ordentligt, og der ikke lækker brændstof ud.
- Stram omhyggeligt brændstoftankens dæksel til. Skift sted inden motoren startes (mindst 3 meter væk fra stedet for brændstofpåfyldningen).
- Påfyld aldrig brændstof i lukkede rum. Der kan ophobes brændstofdampe i jordhøjde (risiko for eksplosion).
- Foretag kun transport og opbevaring af brændstof i godkendte beholdere. Sørg for, at brændstof opbevares således, at børn ikke har adgang til det.



Betjeningsmetode

- Brug kun maskinen i god belysning og med godt udsyn. I vintersæsonen skal du være på vagt overfor glatte eller våde områder, is og sne (der er risiko for at falde). Sørg altid for at have et godt fodfæste.
- Skær aldrig over hoftehøjde.
- Stå aldrig på en stige med maskinen.
- Kravl aldrig op i træer for at klippe eller skære.
- Arbejd aldrig på ustabile overflader.
- Fjern sand, sten, søm m.v. som findes inden for arbejdsområdet. Fremmedlegemer kan beskadige skæreværktøjet og forårsage farlige tilbageslag.
- Inden foretagelse af skærearbejde skal skæreværktøjet have nået op på fuld arbejdshastighed.
- Når du anvender metalklinger, skal du svinge maskinen jævnt i en halvcirkel fra højre til venstre som ved brug af en le. Hvis der sætter sig græs eller grene fast mellem skæreværktøjet og afskærmningen, skal du altid standse motoren inden rengøring. Ellers kan utilsigtet klingerotation muligvis forårsage alvorlige personskader.
- Hold pauser for at forhindre tab af kontrol pga. træthed. Vi anbefaler, at du tager en 10 til 20 minutters pause hver time.

Skæreværktøjer

- Brug et skæreværktøj der passer til det aktuelle job. Nylontrimmerhoveder (snortrimmerhoveder) passer til trimning af græsplæne. Metalklinger passer til klipping af ukrudt, højt græs, buske, krat, underskov, buskads og lignende. Brug aldrig andre klinger, herunder pivoterende flerstykkede metalkæder og tærseklinger. Ellers kan det muligvis medføre alvorlig personskade.
- Når du bruger metalklinger, skal du undgå "tilbageslag" og altid være forberedt på et utilsigtet tilbageslag. Se afsnittet "Tilbageslag" og "Forhindring af tilbageslag".

Tilbageslag (klingestød)

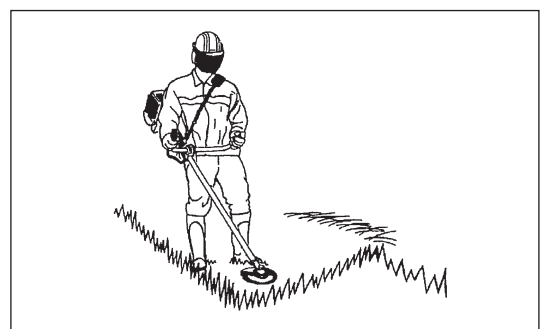
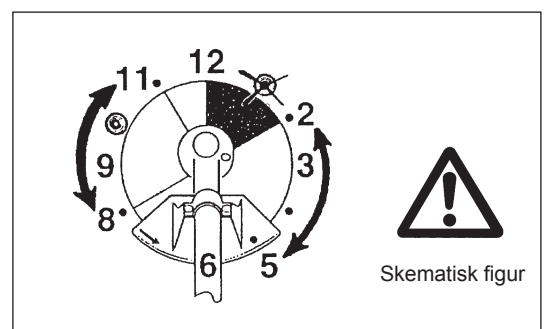
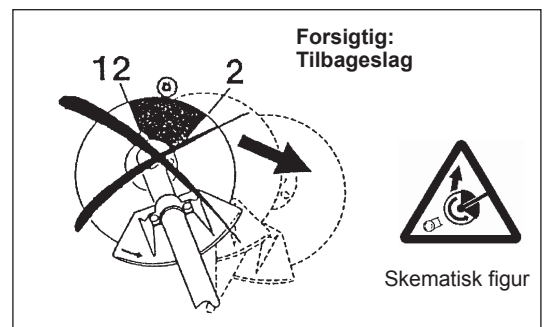
- Tilbageslag (klingestød) er en pludselig reaktion på en metalklinge, som sidder fast eller binder. Når det sker kastes udstyret ud til siden eller mod operatøren med stor kraft, og det kan muligvis medføre alvorlig personskade.
- Tilbageslag opstår i særdeleshed ved anvendelse af klingesegmentet mellem klokken 12 og 2 til faste ting, buske og træer med en diameter på 3 cm eller mere.
- Sådan undgås tilbageslag:
 - Anvend segmentet mellem klokken 8 og 11;
 - Anvend aldrig segmentet mellem klokken 12 og 2;
 - Anvend aldrig segmentet mellem klokken 11 og 12 og mellem klokken 2 og 5 medmindre operatøren er godt trænet og erfaren, og gør det på hans/hendes egen risiko;
 - Anvend aldrig metalklinger tæt på faste ting, som f.eks. hegn, mure, træstammer og sten;
 - Anvend aldrig metalklinger lodret, f.eks. til funktioner som kantafretning og hækkeklipping.

Vibration

- Personer med dårligt blodomløb, der udsættes for kraftige vibrationer, risikerer beskadigelse af blodkar eller nervesystemet. Vibrationer kan medføre følgende symptomer i fingre, hænder eller håndled: Leddet "sover" (følelsesløshed), prikken, smerte, stikken, ændring af hudfarven eller af huden. Søg læge, hvis nogle af disse symptomer opstår!
- For at reducere risikoen for "hvide fingre" skal du holde dine hænder varme under anvendelsen og vedligeholde maskinen og tilbehøret på ordentlig vis.

Vedligeholdelsesvejledning

- Få din maskine serviceret af dit autoriserede servicecenter og anvend altid kun originale reservedele. Forkert reparation og dårlig vedligeholdelse kan forkorte maskinens levetid og forøge risikoen for ulykke.
- Buskrydderens tilstand, især beskyttelsesanordningerne for skæreværktøjet og også bæreselen, skal kontrolleres inden brug. Vær ekstra opmærksom på metalklingerne, der skal være slebet korrekt.
- Sluk for motoren og fjern tændrørshætten, når du udskifter eller sliber skæreværktøjer, samt også når du rengør buskrydderen eller skæreværktøjet.



Forsøg aldrig at rette beskadigede skæreværktøjer ud eller svejse dem.

- Vær opmærksom på omgivelserne. Undgå unødvendig aktivering af gashåndtaget for mindre luft- og støjforurening. Foretag korrekt justering af karburatoren.
- Rengør maskinen med jævne mellemrum og kontroller, at alle skruer og møtrikker er strammet ordentligt til.
- Foretag aldrig service eller opbevaring af maskinen i nærheden af åben ild.
- Opbevar altid maskinen på et aflåst sted og med en tom brændstoftank.
- Monter altid afskærmningen på metalklingen, når du rengør, servicerer og opbevarer maskinen.



Overhold de relevante vejledninger angående ulykkesforebyggelse som udgives af de pågældende brancheforeninger og forsikringsfirmaer. Af sikkerhedshensyn skal man ikke foretage ændringer på maskinen.

Udførslen af vedligeholdelsesarbejde eller reparationer af brugeren er begrænset til de ting, der er beskrevet i brugsanvisningen. Alt andet arbejde skal udføres af en godkendt serviceagent. Brug kun ægte reservedele og tilbehør som forhandles og leveres af MAKITA. Brug af ikke-godkendt tilbehør og værktøjer kan forøge risikoen for uheld. MAKITA påtager sig intet ansvar for ulykker eller skader, der er opstået på grund af brug af ikke-godkendte skæreværktøjer, fastgørelsesmidler til skæreværktøjer eller tilbehør.

Førstehjælp

I tilfælde af en ulykke skal du sørge for at have en førstehjælpskasse i nærheden af det sted, hvor du udfører skærearbejde. Erstat straks de ting der benyttes fra førstehjælpskassen.

Oplys venligst følgende hvis du tilkalder hjælp:

- Sted for ulykke
- Hvad der er sket
- Antallet af tilskadede personer
- Hvilke skader det drejer sig om
- Dit navn



Kun for lande i Europa

EF-overensstemmelseserklæring

Vi, Makita Corporation, erklærer som ansvarlig producent at følgende Makita-maskine(r):

Maskinens betegnelse: Benzindrevet buskrydder

Modelnummer/type: EM4351UH, EM4350UH, EM4350LH

Specifikationer: se skemaet "TEKNISKE DATA"

er en produktionsserie og

Overholder følgende europæiske direktiver:

2000/14/EF, 2006/42/EF

Og er produceret i overensstemmelse med følgende standarder eller standardiserede dokumenter:

EN ISO 11806-1

Den tekniske dokumentation findes hos vores autoriserede repræsentant i Europa:

Makita International Europe Ltd.,

Michigan Drive, Tongwell, Milton Keynes, Bucks MK15 8JD, England

Den konformitetsvurderingsprocedure, der kræves af Direktiv 2000/14/EF, blev udført i henhold til appendiks V.

EM4351UH:

Målt lydeffektniveau: 111,9 dB

Garanteret lydeffektniveau: 113 dB

EM4350UH:

Målt lydeffektniveau: 112,1 dB

Garanteret lydeffektniveau: 113 dB

EM4350LH:

Målt lydeffektniveau: 110,7 dB

Garanteret lydeffektniveau: 112 dB

8. 9. 2011

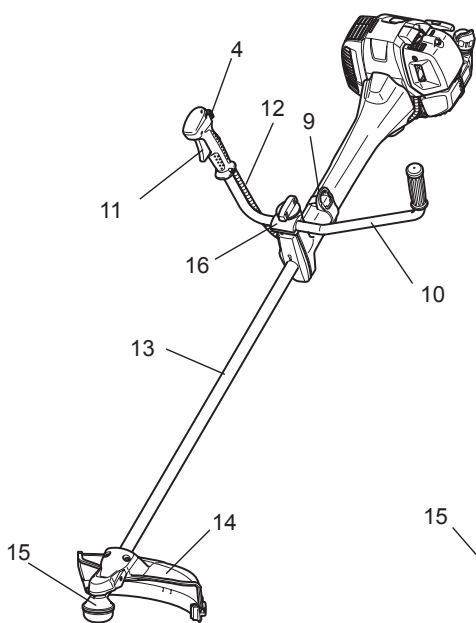
Tomoyasu Kato
Direktør
Makita Corporation
3-11-8, Sumiyoshi-cho,
Anjo, Aichi, JAPAN

TEKNISKE DATA EM4351UH, EM4350UH, EM4350LH

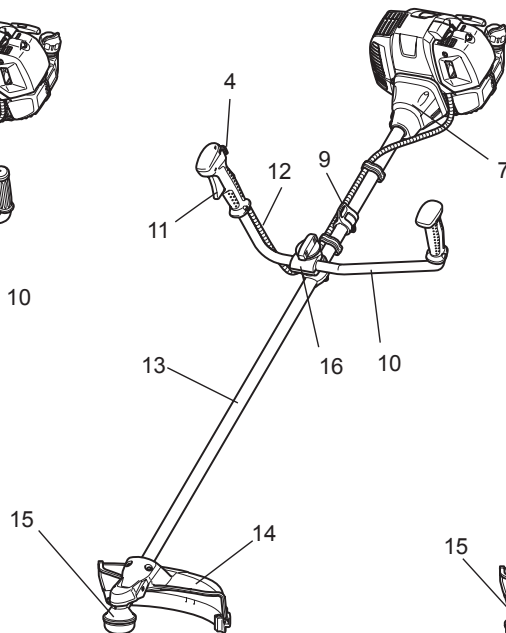
Model		EM4351UH	EM4350UH	EM4350LH					
Håndtagstype		Cykelhåndtag	Cykelhåndtag	Bøjlehåndtag					
Mål: længde x bredde x højde (uden skæreværktøj)	mm	1.812 x 618 x 528	1.812 x 635 x 460	1.812 x 339 x 250					
Vægt (uden plasticskærm og skæreværktøj)	kg	8,6	8,3	7,9					
Volumen (brændstoftank)	l	0,6							
Volumen (olietank)	l	0,1							
Motorvolumen	cm ³	43,0							
Maksimal motorydelse	kW	1,5 med 7.500 min ⁻¹							
Motorhastighed ved anbefalet maksimal spindelhastighed	min ⁻¹	10.500							
Maksimal spindelhastighed (tilsvarende)	min ⁻¹	7.200							
Tomgangshastighed	min ⁻¹	3.000							
Omdrejningstal ved indkobling	min ⁻¹	4.000							
Karburator		Membrantype							
Tænding		Magnettype uden kontakt							
Tændrør	type	NGK CMR6A							
Elektrodeafstand	mm	0,7 - 0,8							
		KLINGE	NYLONTRIMMERHOVED	KLINGE	NYLONTRIMMERHOVED	KLINGE	NYLONTRIMMERHOVED		
Vibration pr. ISO 22867	Højre håndtag (Bagerste greb)	$a_{hv\ eq}$	m/s ²	2,2	2,1	3,1	3,5	4,2	2,6
		Usikkerhed K	m/s ²	0,5	0,6	0,5	0,8	1,1	0,7
	Venstre håndtag (Forreste greb)	$a_{hv\ eq}$	m/s ²	1,7	2,0	4,8	4,0	3,8	3,7
		Usikkerhed K	m/s ²	0,5	0,5	2,9	0,9	1,0	1,4
Gennemsnitligt lydtryksniveau iht. ISO 22868	$L_{PA\ eq}$	dBA	92,4	96,2	91,2	96,1	92,8	94,9	
	Usikkerhed K	dBA	1,8	2,0	2,2	1,6	1,6	2,1	
Gennemsnitligt lydstyrkeniveau iht. ISO 22868	$L_{WA\ eq}$	dBA	101,8	108,9	103,1	109,1	103,4	107,7	
	Usikkerhed K	dBA	1,8	1,4	1,1	1,1	1,5	1,2	
Brændstof		Almindelig benzin							
Motorolie		API grad SF-klasse eller højere, SAE 10W-30-olie (4-takts bilmotorolie)							
Skæreværktøjer (klingediameter)	mm	305 (med tre klinger)							
Gearforhold		13/19							

DELENES BETEGNELSER

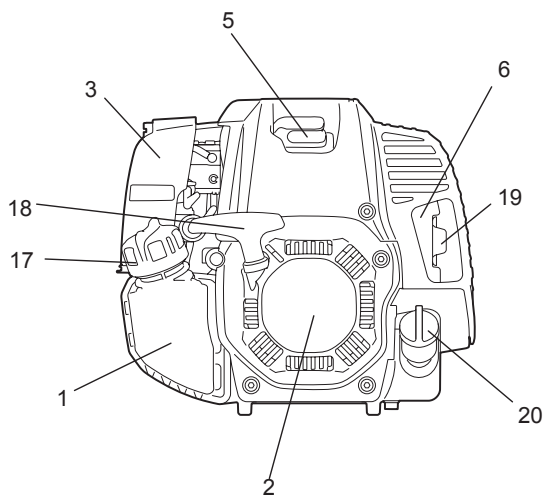
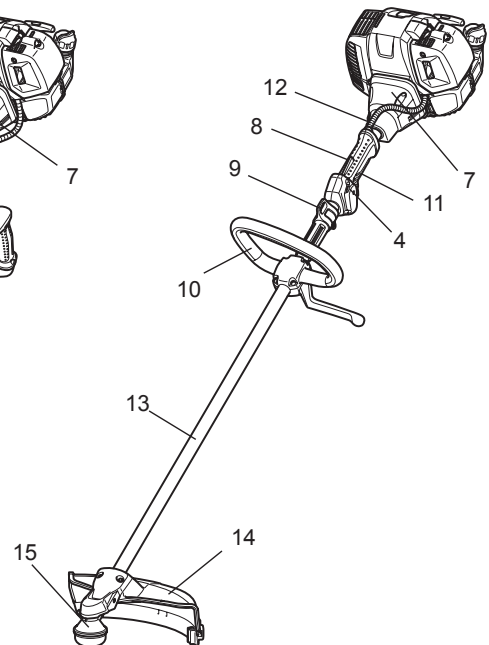
EM4351UH



EM4350UH



EM4350LH



DK	DELENES BETEGNELSER
1	Brændstoftank
2	Rekylstarter
3	Lufffilter
4	I-O og gaslåskontakt (tænd/sluk)
5	Tændrør
6	Lyddæmper
7	Koblingshus
8	Bagerste greb
9	Bøjle
10	Håndtag
11	Gashåndtag
12	Styrekabel
13	Skaft
14	Skærm (afskærmning for skæreværktøj)
15	Gearkasse/Hovedhus
16	Håndtagsholder
17	Brændstoftankdæksel
18	Starthåndtag
19	Udstødningsrør
20	Oljedæksel

MONTERING AF HÅNDTAG

FORSIGTIG: Inden du udfører arbejde på maskinen, skal du altid stoppe motoren og fjerne tændrørshætten fra tændrøret.

Bær altid beskyttelseshandsker!

FORSIGTIG: Start kun motoren efter den er helt samlet.

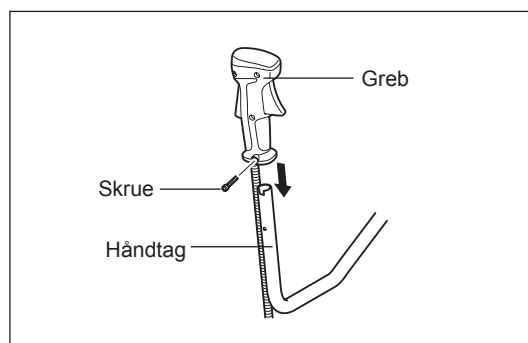


For model EM4351UH, EM4350UH

Sæt håndtagets skaft ind i grebet som vist.

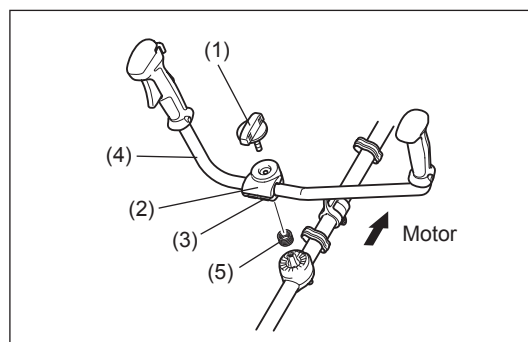
Ret skruehullet i grebet ind efter det i skaftet.

Stram skruen ordentligt til.



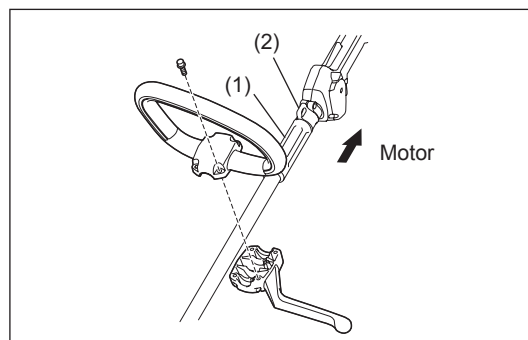
- Løsn knap (1).
- Placer håndtaget (4) mellem håndtagsklemmen (2) og håndtagsholderen (3).
- Juster håndtaget (4) ind på en vinkel der giver en behagelig arbejdsposition, og fastgør det derefter ordentligt ved at stramme knappen til med håndkraft (1).

FORSIGTIG: Glem ikke at montere fjederen (5).



For model EM4350LH

- Fastgør bøjlehåndtaget på skaftet med fire skrue.
- For at bevare en passende afstand mellem grebene skal du placere afstandsstykket (1) mellem bøjlehåndtaget og bøjlen (2).



MONTERING AF SKÆRM

For at leve op til de gældende sikkerhedsbestemmelser må der kun anvendes de kombinationer af værktøj/afskærmning, som er angivet i tabellen.



Sørg for at anvende ægte MAKITA-metalklinger (herunder savklinge og klinge) eller nylontrimmerhoved.

- Metalklingen skal være velpudset, fri for ridser og revner.
Hvis metalklingen rammer mod en sten under arbejdet, skal du stoppe motoren og straks undersøge klingen.
- Puds eller udskift metalklingen efter hver tre timers brug.
- Hvis nylontrimmerhovedet rammer mod en sten under arbejdet, skal du stoppe motoren og øjeblikkeligt undersøge nylontrimmerhovedet.

FORSIGTIG: Der skal altid være monteret den rigtige skærm for din egen sikkerheds skyld, samt for at overholde bestemmelserne for ulykkesforebyggelse. Det er ikke tilladt at betjene maskinen uden korrekt monteret skærm.

Den udvendige diameter på klingen skal være på 300 mm eller mindre. Anvend aldrig nogen klinger med en større udvendig diameter end 300 mm.

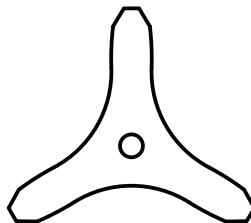
Brug kun en 200 mm savklingskærm ved brug af en 200 mm savklinge.

Brug kun en 225 mm savklingskærm ved brug af en 225 mm savklinge.

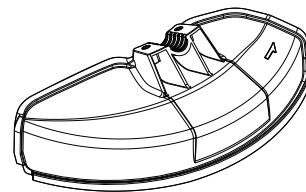
Anvend ikke nogen andre kombinationer ved brug af en savklinge.

BEMÆRK: Standardkombinationen af skæreværktøjer varierer fra land til land.

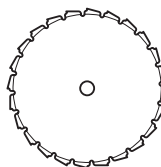
Klinge



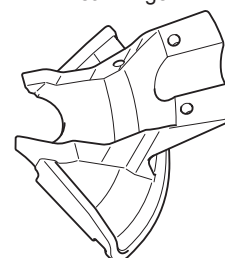
Skærm til metalklinger



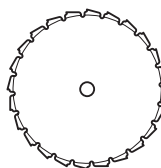
200 mm savklinge



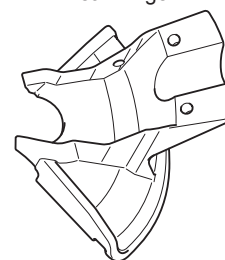
Skærm til 200 mm savklinge



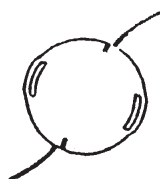
225 mm savklinge



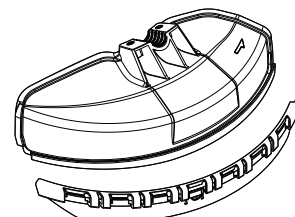
Skærm til 225 mm savklinge



Nylontrimmerhoved

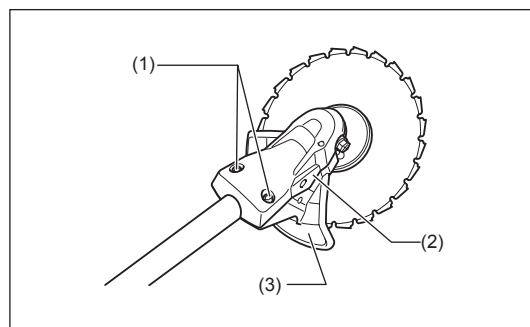
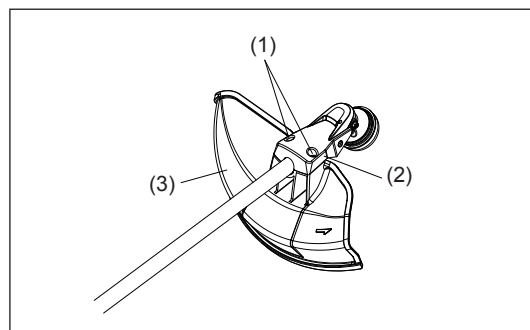


Skærm til nylontrimmerhoved



- Ved brug af metalklingen fastgøres skærmen (3) til klemmen (2) med to bolte (1).

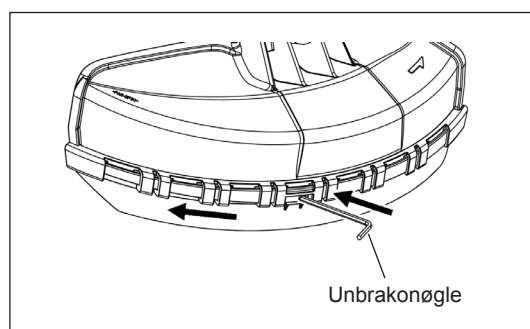
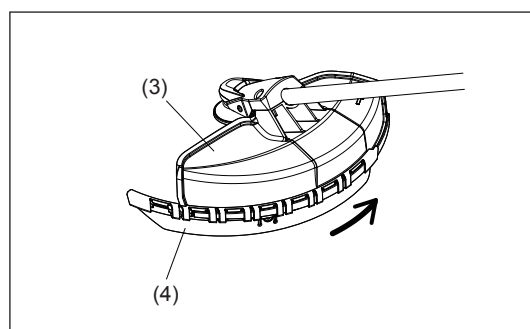
BEMÆRK: Stram den højre og venstre bolt lige meget, sådan at afstanden mellem klemmen (2) og skærmen (3) er konstant. Ellers fungerer skærmen nogle gange ikke som angivet.



- Når nylonnorskniven skal anvendes, skal du sørge for at montere nylonnorsknivens skærm (4) oven på metalklingskærmen (3).
- Monter nylonnorsknivens skærm (4) ved at skubbe den ind på plads fra siden af metalklingskærmen (3) som vist.
- Fjern den tape der sidder på kniven, som skærer nylonnoren af, på nylonnorsknivens skærm (4).

FORSIGTIG: Sørg for at skubbe nylonnorsknivens skærm (4) helt ind på plads. Pas på du ikke kommer til skade på kniven til skæring af nylonnoren.

- For at afmontere nylonnorsknivens skærm (4) skal du sætte en unbrakonøgle ind i indhakket på metalklingskærmen (3) og trykke den ind, mens du skubber nylonnorsknivens skærm (4) af.



MONTERING AF METALKLINGE ELLER NYLONTRIMMERHOVED

Sørg for at anvende ægte MAKITA-metalklinger eller nylontrimmerhoved.

- Metalklingen skal være velpudset, fri for ridser og revner. Hvis metalklingen rammer mod en sten under arbejdet, skal du stoppe motoren og straks undersøge klingen.
- Puds eller udskift metalklingen efter hver tre timers brug.
- Hvis nylontrimmerhovedet rammer mod en sten under arbejdet, skal du stoppe motoren og øjeblikkeligt undersøge nylontrimmerhovedet.

FORSIGTIG: Der skal altid være monteret den rigtige skærm for din egen sikkerheds skyld, samt for at overholde bestemmelserne for ulykkesforebyggelse.
Det er ikke tilladt at betjene maskinen uden korrekt monteret skærm.
Den udvendige diameter på klingen skal være på 300 mm eller mindre. Anvend aldrig nogen klinger med en større udvendig diameter end 300 mm.

Vend maskinen om, så kan du nemt udskifte metalklingen eller nylontrimmerhovedet.

- Sæt unbrakonøglen ind gennem hullet i gearkassen og drej modtageskiven (4) med unbrakonøglen indtil den er låst.
- Løsn møtrikken (1) (venstregevind) med topnøglen og fjern møtrikken (1), underlagsskiven (2) og klemmeskiven (3).

Montering af metalklingen med unbrakonøglen stadig på plads

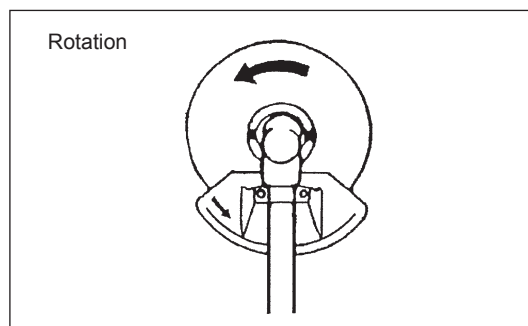
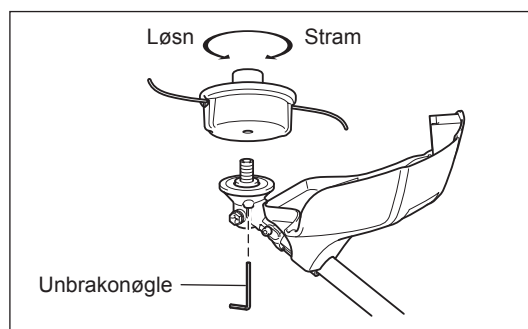
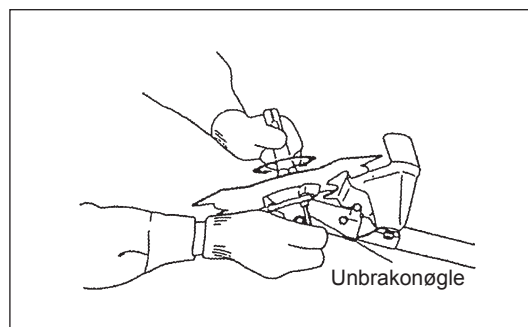
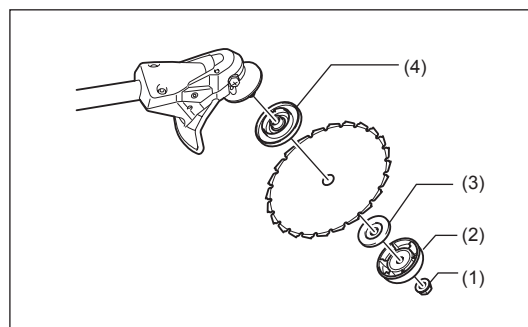
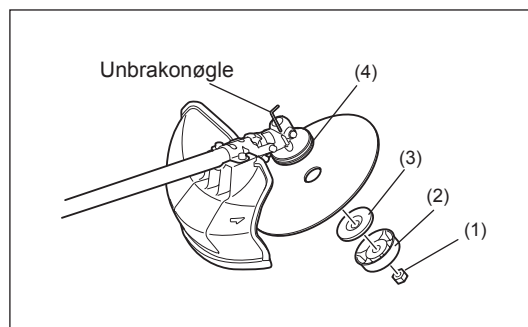
- Monter metalklingen på skaftet så føringen på modtageskiven (4) passer ind i skaftåbningen på metalklingen. Monter klemmeskiven (3), underlagsskiven (2), og fastgør metalklingen med møtrikken (1).
[Tilspændingsmoment: 20 - 30 N·m]

BEMÆRK: Bær altid handsker, når du håndterer metalklingen.

BEMÆRK: Fastspændingsmøtrikken til metalklingen (med fjederskive) er en forbrugsdel. Hvis der kan ses slid eller deformation på fjederskiven, skal du udskifte møtrikken.

Montering af nylontrimmerhoved

- Klemmeskiven (3), underlagsskiven (2) og møtrikken (1) behøves ikke for montering af nylontrimmerhovedet. Nylontrimmerhovedet placeres oven på modtageskiven (4).
- Sæt unbrakonøglen ind gennem hullet i gearkassen og drej modtageskiven (4) med unbrakonøglen indtil den er låst.
- Skru derefter nylontrimmerhovedet på skaftet ved at dreje det mod urets retning.
- Fjern unbrakonøglen.



INDEN ANVENDELSE

Eftersyn og opfyldning af motorolie

- Udfør den følgende procedure med afkølet motor.
- Sikr dig, at motoren er placeret på en jævn overflade, og kontroller om oliestanden er mellem den nederste og øverste grænse på olieindikatoren.
- Hvis oliestanden er under den nederste grænse, skal du tage oliedækslet af og påfylde olie.
- Området omkring de udvendige mærker er gennemsigtigt, så oliemængden kan kontrolleres, uden at oliedækslet behøves at tages af. Men hvis olierøret bliver meget beskidt, kan det blive svært at se udefra, og oliestanden må kontrolleres vha. det trindelte afsnit inden i olierøret.
- Du er muligvis nødt til at påfylde olie ca. hver 10. driftstime (hver 10. påfyldning af brændstof). Hvis olien skifter farve, eller der kommer snavs i, skal den udskiftes med ny olie. (For udskiftningsinterval og metode, se side 204).

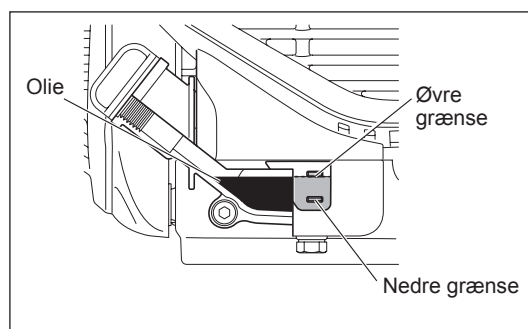
Anbefalet olie: SAE 10W-30 olie under API-klassifikation, klasse SF eller højere (4-takts bilmotor)

Olievolumen: Ca. 0,10 l

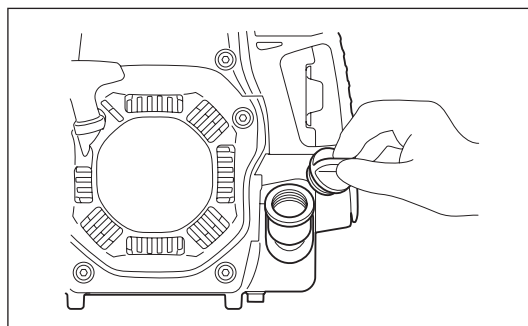
BEMÆRK: Hvis motoren ikke er placeret som vist på en jævn overflade, angives der muligvis en unøjagtig oliestand, og der kan blive fyldt for meget olie på. Påfyldes der olie til op over den øverste grænse, kan det medføre olieforurening og/eller hvid røg.

Udskiftning af olie: "Oliedæksel"

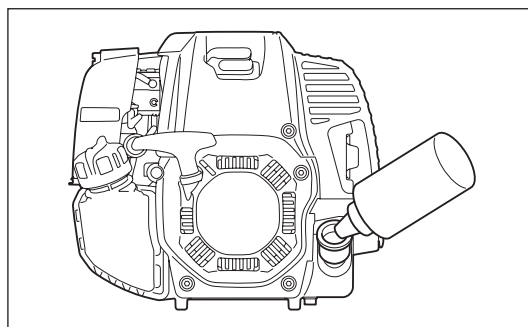
- Fjern støv og snavs i nærheden af oliepåfyldningsåbningen og fjern oliedækslet.
- Sørg for at holde det aftagne oliedæksel fri for sand og støv. I modsat fald kan sand eller støv, der sidder fast på oliedækslet medføre irregulær oliecirculation eller slid på motordelene, hvilket kan forårsage problemer.



(1) Hold motoren vandret og fjern oliedækslet.



(2) Påfyld olie op til mærket for den øverste grænse. Brug en olieflaske ved påfyldning.



(3) Stram oliedækslet ordentligt til. Der kan spildes olie, hvis det ikke strammes ordentligt.

Bemærk

- Skift ikke olie, mens motoren er i en vippet position.
- Påfyldes der olie, mens motoren er vippet, medfører det overopfyldning, hvilket forårsager olieforurening og/eller hvid røg.

Efter påfyldning af olie

- Tør straks af med en klud hvis der spildes olie.

PÅFYLDNING AF BRÆNDSTOF

Håndtering af brændstof

Det er nødvendigt at håndtere brændstof med stor forsigtighed. Brændstof kan indeholde substanser, der minder om opløsningsmidler. Påfyldning af brændstof skal udføres i et tilstrækkeligt ventileret rum eller i fri luft. Indhaler aldrig brændstofdampe og hold brændstof væk fra dig. Hvis du rører gentagne gange ved brændstof, eller i lang tid, bliver huden tør, og det kan muligvis medføre hudsygdomme eller allergi. Hvis du får brændstof i øjet, skal du rense øjet med rent vand. Hvis det stadig er irriteret, skal du kontakte en læge.

Opbevaringsperiode for brændstof

Brændstof bør opbruges inden for 4 uger, selvom det opbevares i en særlig beholder på et veludluftet sted afskærmet fra solen. Ellers kan brændstoffet nedbrydes på en dag.

OPBEVARING AF MASKINE OG GENOPFYLDNINGSTANK

- Opbevar maskinen og tanken på et køligt sted uden for direkte sollys.
- Opbevar aldrig brændstoffet i en bil.

Brændstof

Motoren er en firetakts motor. Sørg for, at anvende almindelig blyfri benzin, oktan 87 eller højere ((R+M)/2). Det må ikke indeholde mere end 10 % alkohol (E-10).

Punkter angående brændstof

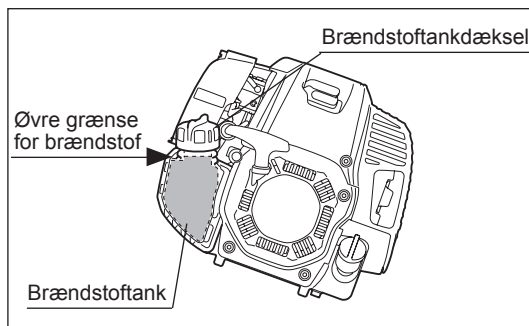
- Brug aldrig en benzinblanding der indeholder motorolie. I modsat fald vil det medføre en for stor kulophobning eller mekaniske problemer.
- Brug af gammel olie medfører startproblemer.

Påfyldning af brændstof

ADVARSEL: Sluk for motoren inden påfyldning af brændstof, hold maskinen væk fra åben ild, samt undlad at ryge.

- Løsn tankdækslet en lille smule for at udligne trykket i tanken.
- Tag tankdækslet af, påfyld brændstof og luk luften ud ved at tippe brændstoftanken sådan at brændstofåbningen vender opad. Fyld IKKE brændstof op til kanten af tanken.
- Tør ydersiden af tankdækslet af for at forhindre snavs i at trænge ind i brændstoftanken.
- Efter påfyldning af brændstof skal tankdækslet strammes ordentligt til.

- Hvis der er revner eller skader på tankdækslet, skal det udskiftes.
- Tankdækslet slides med tiden. Udskift det hvert andet eller tredje år.
- Fyld IKKE brændstof i oliepåfyldningsåbningen.



KORREKT HÅNDTERING AF MASKINEN

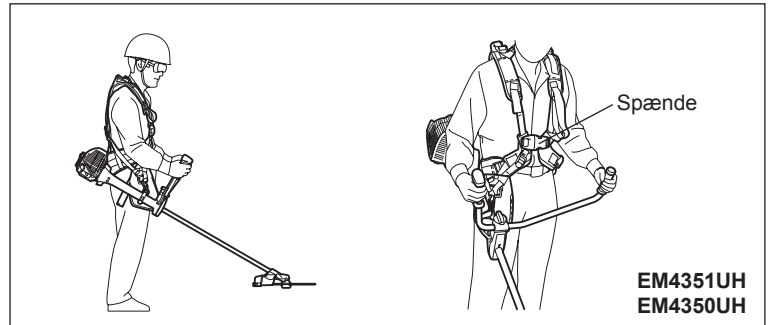
Montering af bæresæle

- Juster længden af remmen, så metalklingen holdes parallelt med jorden.

For EM4351UH, EM4350UH

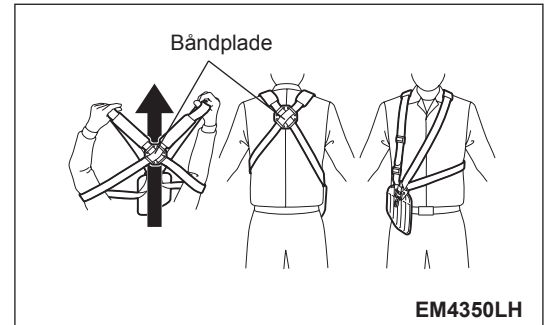
Placer bæresælen på ryggen, monter den med spændet og juster længden af båndene.

BEMÆRK: Pas på der ikke sidder tøj e.l. fast i spændet.



For EM4350LH

- 1) Stå så båndpladen er tæt på dig. Og før dine arme og hoved gennem båndet.
- 2) Båndpladen sidder på ryggen og reguleringsanordningerne og krogen er placeret på højre side af kroppen, når du tager bæresælen rigtigt på.

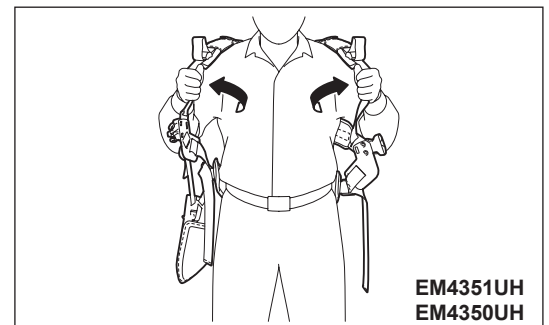
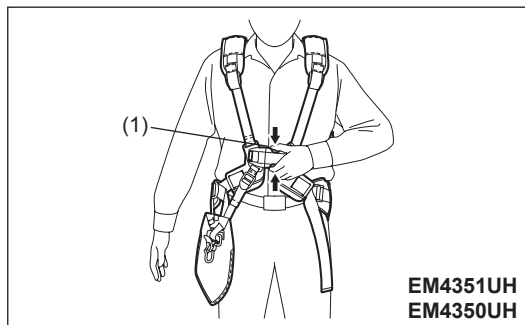


Aftagning af maskinen

For EM4351UH, EM4350UH

- For at aftage maskinen skal du trykke på begge sider af spændet (1) og tage bæresælen af.
- Du skal være meget omhyggelig med at beholde kontrollen over maskinen på dette tidspunkt. Tillad ikke maskinen at blive slået tilbage mod dig eller andre i nærheden.

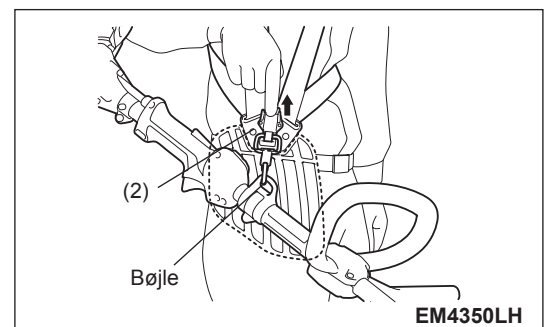
ADVARSEL: Hvis du ikke har fuld kontrol over maskinen, kan det resultere i alvorlig kvæstelse eller DØD.



For EM4350LH

- For at aftage maskinen skal du udløse nødduløseren (2) ved at trække hårdt i den med fingrene.
- Du skal være meget omhyggelig med at beholde kontrollen over maskinen på dette tidspunkt. Tillad ikke maskinen at blive slået tilbage mod dig eller andre i nærheden.

ADVARSEL: Hvis du ikke har fuld kontrol over maskinen, kan det resultere i alvorlig kvæstelse eller DØD.



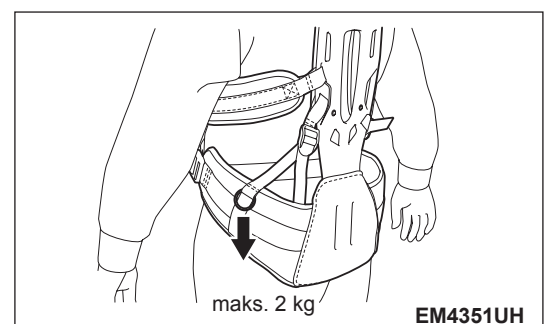
Ophængningsring

For EM4351UH

- Du kan anvende ringen til hænge noget i, der vejer mindre end 2 kg.

BEMÆRK: Du skal ikke hænge noget i i ringen, som vejer mere end 2 kg. Hænges der noget tungere på ringen, kan den gå i stykker, og tingen kan blive beskadiget.

FORSIGTIG: Hæng ikke noget på ringen som kan sætte sig fast i buske eller krat. Hvis du sidder fast, kan det medføre tab af balance og kontrol og derved forårsage personskade.



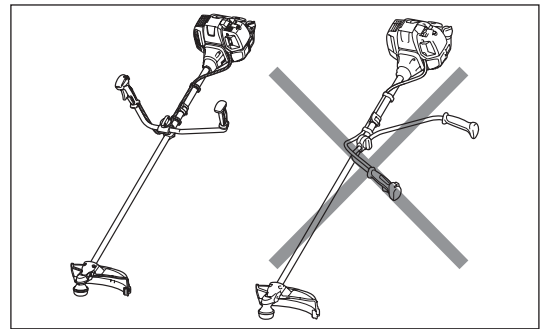
PUNKTER VEDRØRENDE BETJENING OG STOPPROCEDURE

Overhold de gældende bestemmelser for ulykkesforebyggelse!



Du skal altid sætte håndtaget på den rigtige position, inden du starter motoren.

Ellers kan skæreværktøjet muligvis pludselig dreje rundt og forårsage personskade pga. at gashåndtagets kabel er trukket eller bøjet, og der er åbnet for gassen.

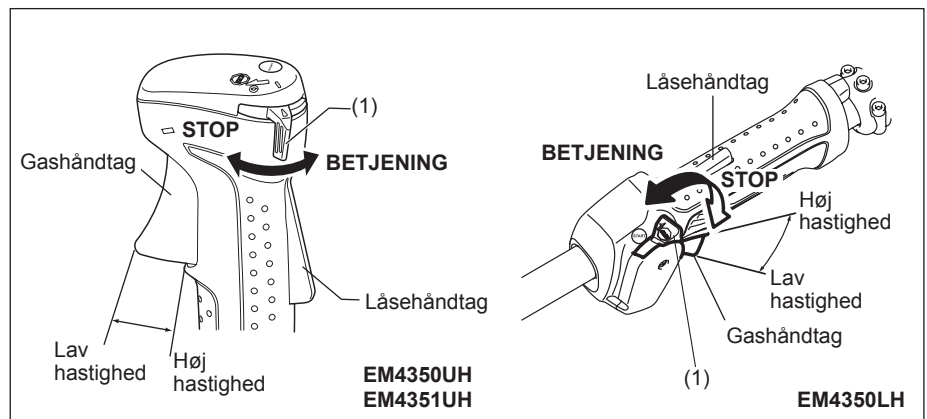


START

Gå mindst 3 m væk fra stedet for brændstoppåfyldningen. Placer enheden på jorden mens du passer på, at skæreværktøjet ikke kommer i kontakt med jorden eller andre genstande.

A: Koldstart

- 1) Placer maskinen på et plant område.
- 2) Sæt I-O kontakten (1) på BETJENING.

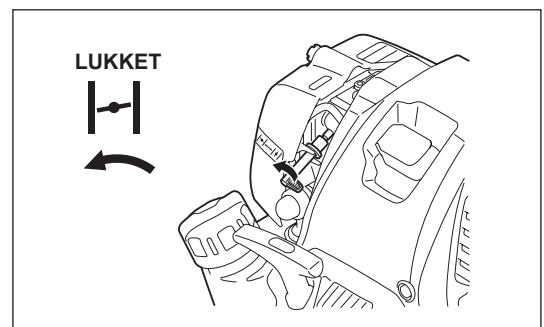


- 3) Chokerhåndtag

Luk chokerhåndtaget.

Chokeråbning:

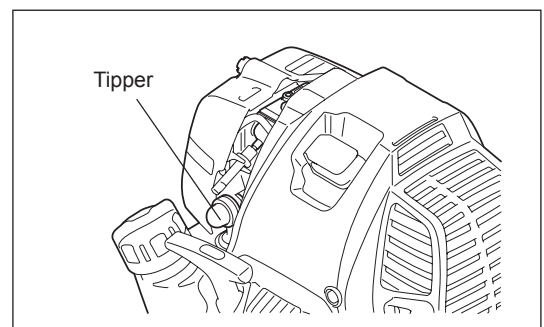
- Helt lukket ved kolde temperaturer, eller når motoren er kold.
- Fuld eller halv åbning hvis motoren er en lille smule varm, som f.eks. ved genstart af motoren umiddelbart efter standsning under opvarmningsdrift.



- 4) Tipper

Fortsæt med at trykke på tipperen indtil der kommer brændstof ind i tipperen. (Der behøves generelt 7 til 10 tryk.)

Hvis der trykkes for meget på tipperen, vender det overskydende brændstof tilbage til brændstoftanken.

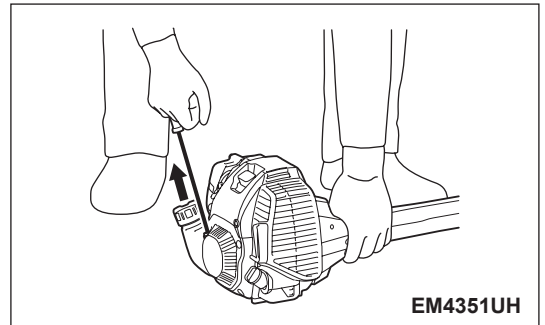
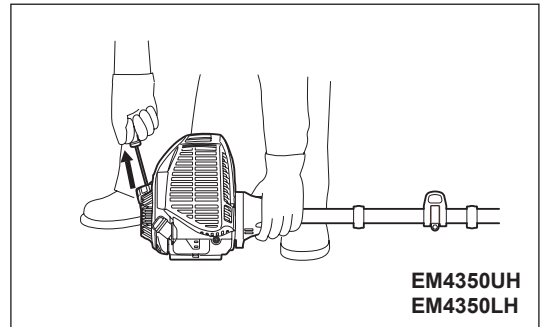


5) Rekylstarter

Sørg for, at du har et solidt fodfæste.
Hold enheden med venstre hånd og tryk den fast ned.

FORSIGTIG: Du må ikke stå eller knæle på gashåndtagets kabel. Der kan muligvis blive trukket i den indvendige ledning, og skæreværktøjet begynder muligvis at rotere utilsigtet.
Du skal ikke åbne for gashåndtaget.

Træk forsigtigt i starthåndtaget indtil der føles en vis modstand. Før derefter starthåndtaget tilbage, og træk hårdt i det.
Træk aldrig snoren maksimalt ud. Når først starthåndtaget er trukket, må du aldrig slippe med det samme. Hold i starthåndtaget indtil det vender tilbage til den oprindelige position.



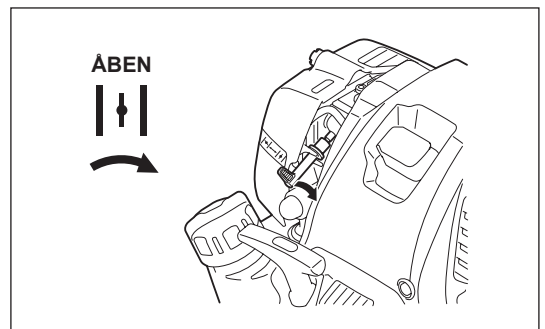
6) Chokerhåndtag

Når først motoren starter, indstilles chokerhåndtaget på ÅBEN-positionen.
- Åbn chokerhåndtaget gradvist, mens du kontrollerer motorens funktion.
Sørg for at åbne chokerhåndtaget helt op til sidst.
- Når det er koldt, eller motoren er kølet af, skal du aldrig pludselig åbne op for chokerhåndtaget. Hvis du gør det, stopper motoren muligvis.

7) Opvarmning

Fortsæt opvarmning i 2 til 3 minutter.

BEMÆRK: Træk ikke unødvendigt i gashåndtaget, når motoren ikke kører. Det kan medføre brændstoftæklage fra luftfilteret. Hvis det sker, skal du tørre brændstoffet af. Du skal også åbne luftfilterdækslet og rengøre elementet og luftfilterpladen.



BEMÆRK:

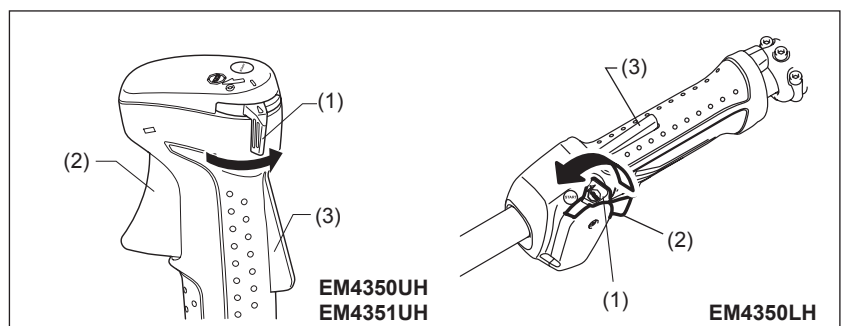
- Træk ikke unødvendigt i gashåndtaget, når motoren ikke kører. Det kan muligvis medføre drukning af motoren, og kan gøre det svært at starte motoren.
- Hvis der er for meget brændstof, skal du fjerne tændrøret og trække langsomt i starthåndtaget for at fjerne det overskydende brændstof. Tør også tændrørets elektrodedel af.
- Hvis motoren starter og stopper, eller stopper kort efter start, skal du sætte chokerhåndtaget tilbage på ÅBEN-positionen og trække et par gange i starthåndtaget for at starte motoren.
- Hvis chokerhåndtaget lades være i LUKKET-positionen, og der blot trækkes gentagne gange i starthåndtaget, suges der for meget brændstof ind, og det bliver svært at starte motoren.
- Kør ikke motoren unødvendigt højt op i omdrejninger under opvarmningsdriften.

B: Varmstart

- 1) Hold chokerhåndtaget helt åbent.
- 2) Tryk gentagne gange på tipperen.
- 3) Hold gashåndtaget på tomgangspositionen.
- 4) Træk hårdt i rekylstarteren.
- 5) Hvis det er svært at starte motoren, skal du slippe låsehåndtaget (3), trække i gashåndtaget (2) og flytte I-O kontakten (1) hen på gaslås-positionen. Mens du holder i I-O kontakten (1), skal du slippe gashåndtaget (2) og låsehåndtaget (3). Træk derefter i starthåndtaget.

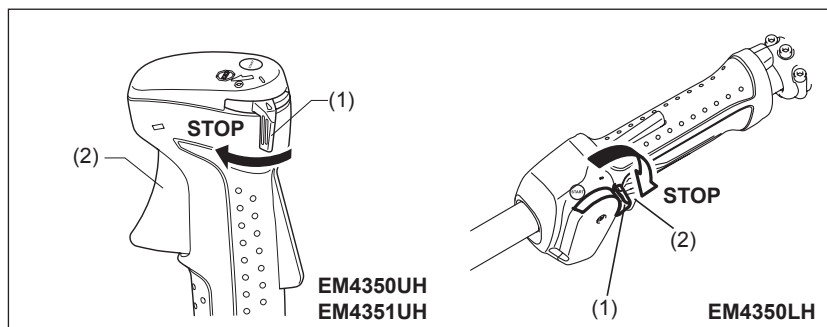
ADVARSEL: Vær opmærksom på at skæreværktøjet straks begynder at rotere.

- 6) Når først motoren starter, skal du slippe låsehåndtaget (3) og trække i gashåndtaget (2), og derefter slippe dem for at få motoren til at køre i tomgang.



STOPPROCEDURE

- 1) Slip gashåndtaget (2) helt, og når motorens omdrejninger er faldet, skal du skubbe I-O kontakten (1) over på STOP for at standse motoren.
- 2) Skæreværktøjet fortsætter med at rotere efter standsning af motoren. Vent indtil det er fuldstændig stoppet.

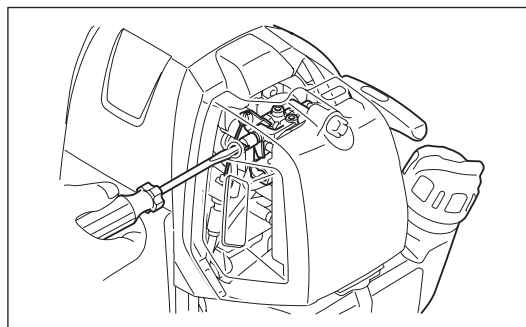


JUSTERING AF TOMGANGSHASTIGHED

Når det er nødvendigt at justere tomgangshastigheden, skal du justere på karburatorens justeringsskrue.

KONTROL AF TOMGANGSHASTIGHED

- Indstil tomgangshastigheden til 3.000 min⁻¹. Hvis det er nødvendigt at ændre tomgangshastigheden, skal du anvende en phillips-skruetrækker til at skrue på skruen illustreret til højre.
- For at forøge tomgangshastigheden skal du dreje justeringsskruen i urets retning. For at reducere tomgangshastigheden skal du dreje justeringsskruen mod urets retning.
- Karburatoren er indstillet på fabrikken. Men skal omjusteres, når tomgangshastigheden har været brugt adskillige gange.

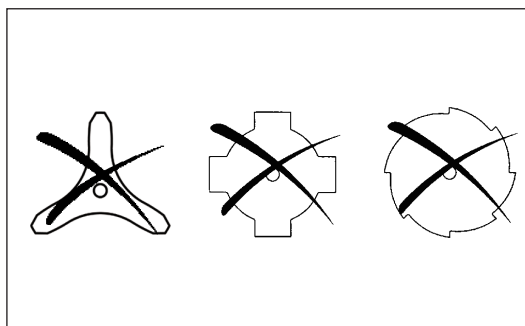


SLIBNING AF SKÆREVÆRKTØJET



FORSIGTIG: Skæreværktøjerne vist på illustrationen må ikke slibes. Manuel slibning vil resultere i ubalancer i skæreværktøjet, hvilket forårsager vibrationer og skader på maskinen.

BEMÆRK: For at forlænge klingens levetid, kan den vendes om en enkelt gang, indtil begge skærekanten er blevet sløve.



NYLONTRIMMERHOVED

Nylontrimmerhovedet er et trimmerhoved med to snore udstyret med bankfremføringsmekanisme.

Nylontrimmerhovedet tilfører automatisk nylon snor i den passende længde, efter nylontrimmerhovedet er blevet banket ned i jorden, i henhold til ændringerne i den centrifugale kraft forårsaget af forøgelsen eller mindskelsen af omdrejningstallet.

Betjening

- Forøg nylontrimmerhovedets hastighed til cirka 6.000 min⁻¹. Bank nylontrimmerhovedet let ned i jorden.
- Det mest effektive skæreamråde er vist med det skraverede område.
- Hvis nylon snoren ikke fremføres, skal du oprulle/udskifte nylon snoren ved at følge de procedurer, som er beskrevet under "Udskiftning af nylon snoren".



Udskiftning af nylonsnoren (BANK-FREMFØRING)

ADVARSEL: Sørg for, at nylontrimmerhovedets dæksel er ordentligt fastgjort til huset som beskrevet nedenfor. Fastgøres dækslet ikke ordentligt, kan det medføre, at nylontrimmerhovedet flyver af med alvorlige personskader til følge.

Tryk ind på låsemekanismerne på huset og løft op for at fjerne dækslet.
Smid den resterende nylonspor ud.

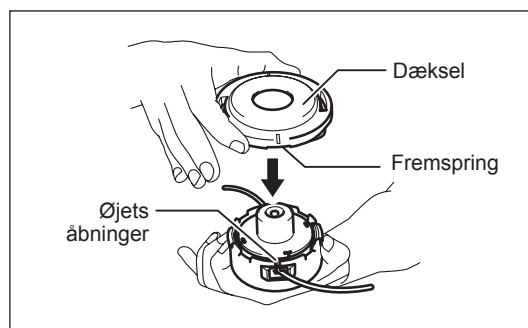
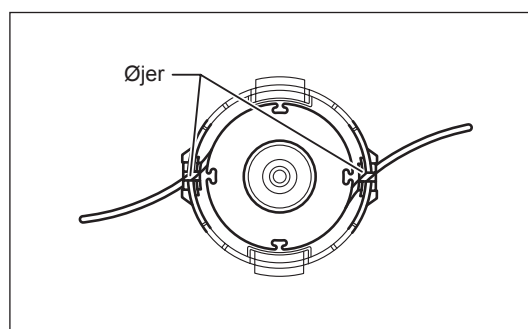
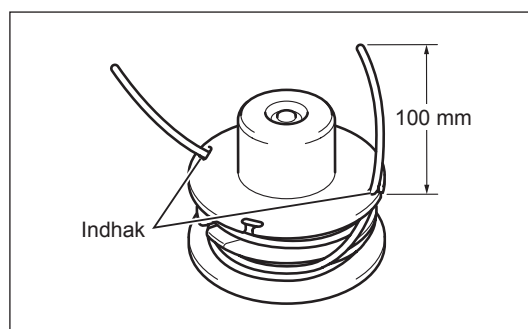
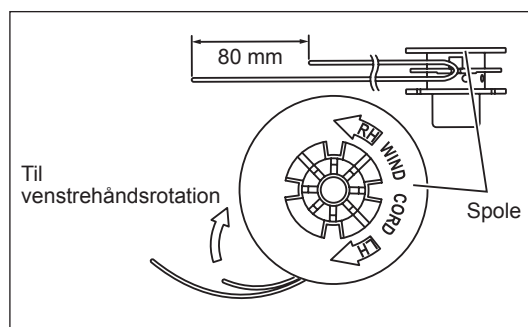
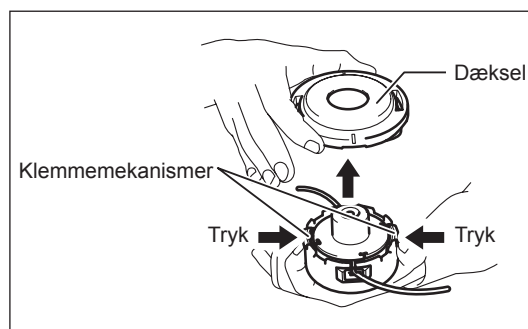
Hægt midten af den nye nylonspor på indhakkene i midten af spolen mellem de 2 kanaler til nylonsporen. Den ene side af snoren bør være cirka 80 mm længere end den anden side.

Vikl begge ender tæt omkring spolen i den retning på hovedet som er markeret for venstrehåndsrotation, angivet med LH.

Vikl snorene helt op på nær cirka 100 mm, og lad midlertidigt enderne være hæftet gennem indhakkene på siden af spolen.

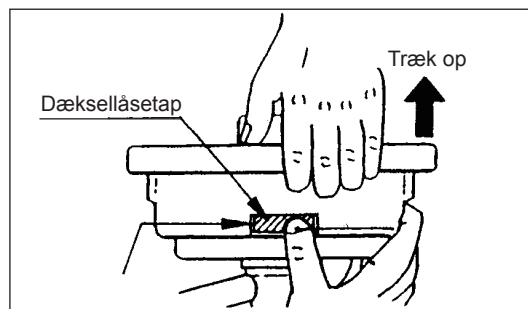
Monter spolen i huset sådan at rillerne og fremspringene på spolen matcher dem i huset. Sørg for, at siden på spolen med bogstaver er synlig ovenfra. Hægt derefter enderne på snoren af fra deres midlertidige placering og før snorene gennem øjerne, sådan at de kommer ud af huset.

Ret fremspringet på undersiden af dækslet ind med øjernes åbninger.
Tryk derefter dækslet ordentligt ind på huset, sådan at det sidder fast. Sørg for, at klemmemekanismerne hæfter dækslet ordentligt fast.

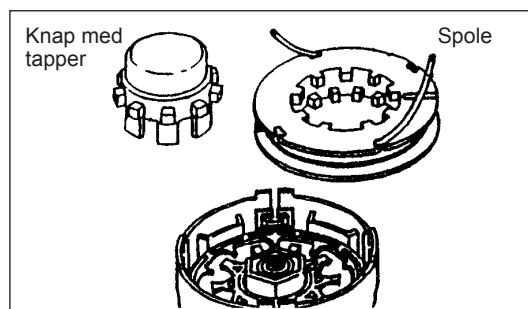


Udskiftning af nylonsnoren (ULTRA-AUTO)

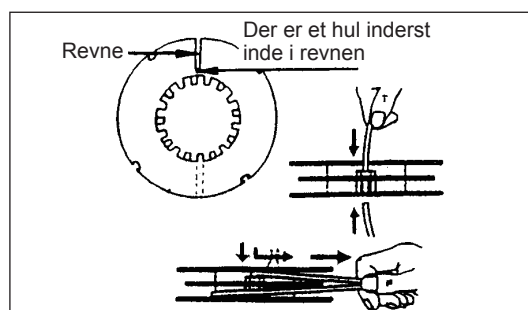
1. Tag dækslet af huset, mens du trykker på de to dæksellåsetapper, der er placeret på hver sin side af huset.



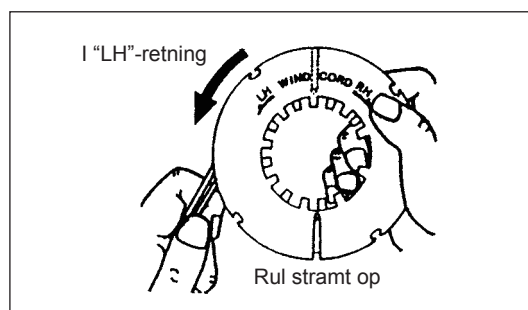
2. Fjern knappen med tapperne og spolen fra huset.



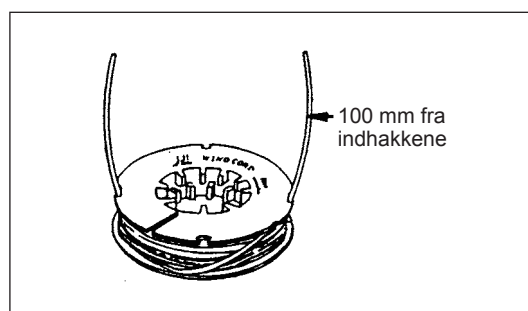
3. Sæt hver af de to skæresnore ind i hvert hul i den inderste åbning i en af spolens yderflanger. Sæt snorene ind i spolerillerne gennem hver revne i flangerne.



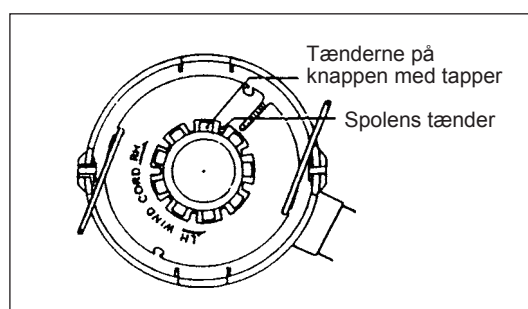
4. Rul snorene ordentligt op i den retning, som er vist med venstrehåndspilen (LH) på flangen. Undgå at krydse snorene.



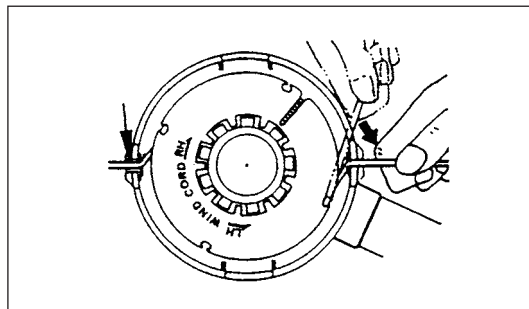
5. Rul snorene helt op på nær cirka 100 mm, og lad midlertidigt enderne være hægtet gennem indhakkene på siden af spolen.



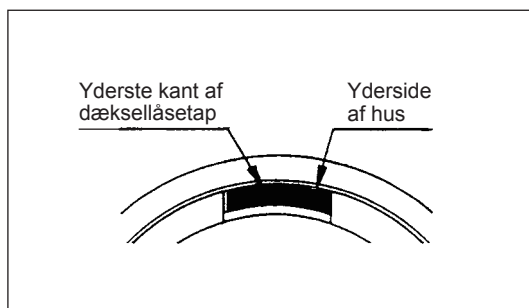
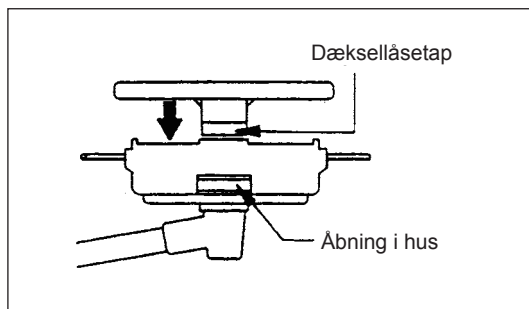
6. Sæt knappen med tapperne tilbage på husnavet, placeret sådan at den frit kan bevæge sig op og ned afhængigt af fjedertrykket. Placer spolen i huset, med tænderne på spolen og knappen med tapperne rettet skiftevis ind som gear.



7. Stik skæresnorene gennem åbningen på øjerne.



8. Placer dækslet oven på huset og juster tapperne på dækslet ind med åbningerne i huset. Sørg for at dækslet er korrekt fastgjort til huset. Den yderste kant af dæksellåsetappen og ydersiden på huset skal være på samme periferi.



VEDLIGEHOVELSESINSTRUKTIONER

FORSIGTIG: Inden du udfører noget arbejde på maskinen, skal du altid stoppe motoren og fjerne tændrørshætten fra tændrøret (se "kontrol af tændrøret").

Bær altid beskyttelseshandsker!

Udfør følgende vedligeholdelse med jævne mellemrum for at sikre en lang brugslevetid og for at undgå skader på maskinen.

Dagligt eftersyn og vedligeholdelse

- Kontroller inden brug maskinen for løse skruer eller manglende dele. Vær især opmærksom på tilspændingen af metalklingen eller nylontrimmerhovedet.
- Inden anvendelse, kontroller altid for tilstopning af luftafkølingskanalen og cylinderribberne. Rengør dem om nødvendigt.
- Udfør dagligt følgende vedligeholdelse efter brug:
 - Rengør maskinen udvendigt og undersøg for skader.
 - Rens luffilteret. Rens filteret flere gange om dagen, når du arbejder i ekstremt støvede omgivelser.
 - Kontroller klingen og nylontrimmerhovedet for skader og sørg for, at den/det er ordentligt monteret.
 - Kontroller, om der er tilstrækkelig forskel mellem tomgang- og arbejdshastigheder for at sikre, at skæreværktøjet ikke bevæger sig, når motoren er i tomgang (hvis det er nødvendigt, skal du reducere tomgangshastigheden). Hvis maskinen stadig kører under tomgang, skal du konsultere den nærmeste godkendte serviceagent.
- Kontroller funktionen af I-O kontakten, låsehåndtaget, gashåndtaget og låseknappen.

UDSKIFTNING AF MOTOROLIE

Gammel motorolie vil forkorte motorens levetid. Sørg for at kontrollere olie og niveau regelmæssigt.



ADVARSEL: Motoren og motorolien er stadig varm lige efter standsning motoren. Giv motoren og motorolien rigelig tid til at køle af. Ellers kan det medføre hudforbrændinger.

BEMÆRK: Hvis der påfyldes olie over grænsen, kan olien blive beskidt og eventuelt antændes og afgive hvid røg. Giv motorolien tilstrækkelig tid til at returnere til olietanken efter standsning af motoren for at sikre korrekt læsning af oliestanden.

Udskiftningsinterval: Først efter 20 driftstimer, efterfulgt af hver 50 driftstimer.

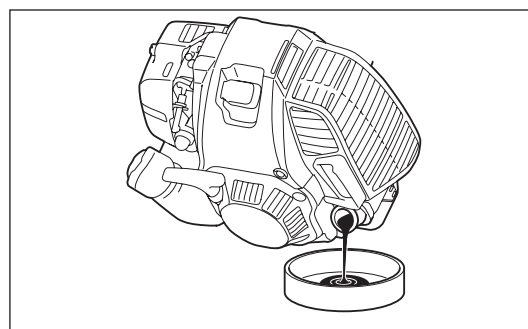
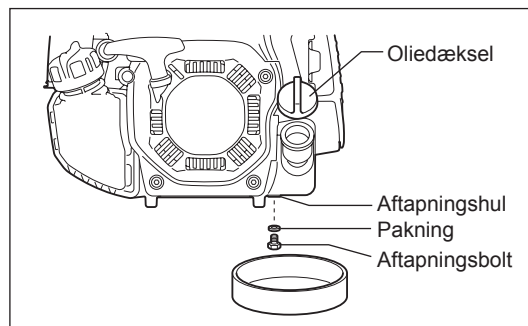
Anbefalet olie: SAE 10W-30 olie under API-klassifikation, klasse SF eller højere (4-takts bilmotor)

For udskiftning, udfør følgende procedure.

- 1) Kontrollér, at brændstoftankdækslet er strammet ordentligt til.
- 2) Placer en stor beholder (skål e.l.) under aftapningshullet.
- 3) Fjern aftapningsboltet og fjern derefter oliedækslet for at tappe olien ud af aftapningshullet. Du skal passe på ikke at miste pakningen til aftapningsboltet, og sørge for at de aftagne komponenter ikke bliver beskidte.
- 4) Når først al olien er blevet tappet af, skal du montere pakningen og aftapningsboltet, og stramme aftapningsboltet ordentligt til, så den ikke løsner sig og forårsager lækager. [Tilspændingsmoment: 5 N-m]
 - * Brug en klud til tørre al eventuel olie af bolt og maskine.

Alternativ aftapningsmetode

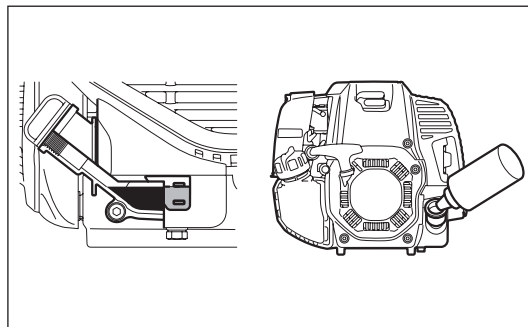
Fjern oliedækslet, vip maskinen mod oliepåfyldningshullet og tap olien af. Opsaml olien i en beholder.



- 5) Hold motoren vandret og påfyld gradvist ny olie op til mærket for den øvre grænse.
- 6) Efter påfyldning skrues oliedækslet ordentligt fast, så det ikke løsner sig og forårsager lækager.
Hvis oliedækslet ikke skrues ordentligt på, kan olien lække ud.

PUNKTER VEDRØRENDE OLIE

- Smid aldrig skiftet motorolie ud sammen med almindeligt affald, på jorden eller i kloakken. Bortskaffelse af olie er reguleret via loven. De relevante love og bestemmelser skal altid følges ved bortskaffelse af olie. Kontakt en godkendt serviceagent ved tvivlspørgsmål.
- Olien nedbrydes, selvom den ikke bruges. Udfør eftersyn og udskiftning med jævne intervaller (udskift med ny olie hver 6. måned).



RENGØRING AF LUFTFILTER



ADVARSEL: Sluk for motoren, hold maskinen væk fra åben ild, samt undlad ryge.

Interval for rengøring og eftersyn: Dagligt (hver 10. driftstime)

- Drej chokerhåndtaget helt over til den lukkede side og hold karburatoren fri fra støv og snavs.

Aftagning af luftfilterdækslet

- Frigør krogen på luftfilterdækslet ved at trykke ned på bugtningen på pladen.
- Løsn fastgørelsesbolten.
- Træk og fjern luftfilterdækslet.

Rengøring af elementet

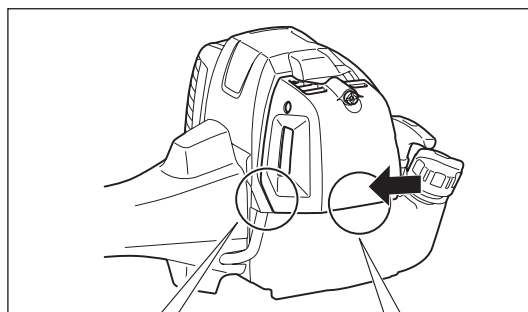
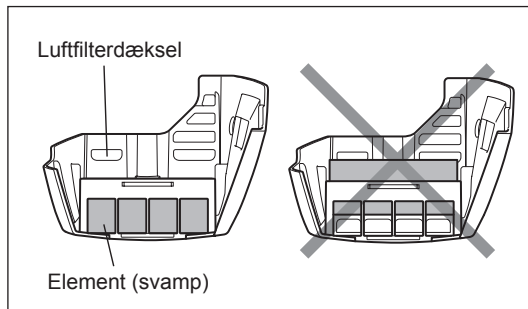
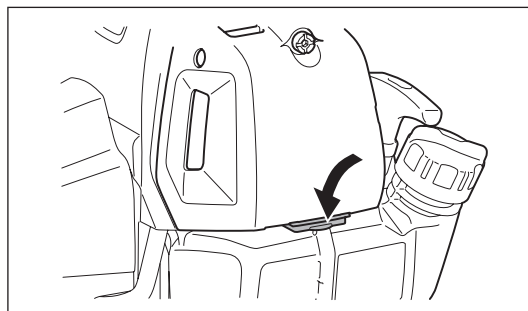
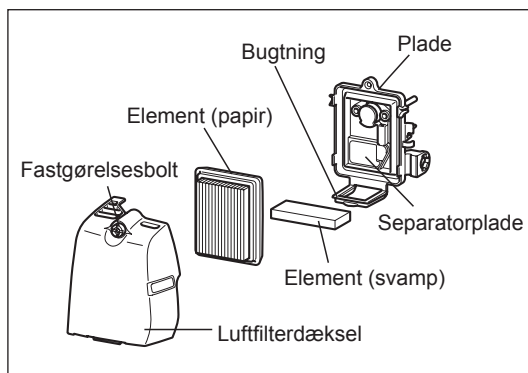
- Fjern elementerne og bank på dem for at fjerne snavs.
- Når det er meget beskidt:
 - 1) Tag elementet (svampen) af, dyp den ned i varmt vand eller et neutralt rengøringsmiddel fortyndet med vand, og tør den fuldstændigt. Du skal ikke vride eller gnubbe på det under vask.
 - 2) Rengør elementet (papiret) ved at banke forsigtigt på det. Hvis du har mulighed for at anvende en blæsepistol, skal du blæse komprimeret luft på indersiden af elementet (papir). Du skal ikke vaske elementet (papiret).
- Sørg for at elementet (svampen) er helt tørt, inden du sætter det på igen. Utilstrækkelig tørring af elementet (svampen) kan gøre det svært at starte.
- Tør derefter olie, der sidder omkring luftfilterdækslet og separatorpladen, af med en klud.

Påsætning af luftfilterdækslet

- Pas elementet (svampen) ind i elementet (papir). Sæt elementet (svampen) helt ind i luftfilterdækslet.
- Sæt sidekrogen ind i luftfilterdækslet som illustreret og tryk på den nederste del af luftfilterdækslet indtil det klikker, så krogen sidder ordentligt ind i bugtningen. Stram derefter luftfilterdækslet med fastgørelsesbolten.

BEMÆRK:

- Rengør elementerne flere gange om dagen, hvis der sætter sig meget støv i det. Beskidte elementer reducerer motorydelsen og besværliggør start af motoren.
- Fjern olie på elementerne. Hvis maskinen fortsat anvendes, uden at elementerne rengøres for olie, kan olien i luftfilteret muligvis falde ud og resultere i forurening af miljøet.
- Placer ikke elementerne på jorden eller på et beskidt sted. Ellers kan der sætte sig skidt eller snavs på dem, hvilket kan beskadige motoren.
- Brug aldrig brændstof til rensning af elementerne. Brændstoffet kan ødelægge dem.



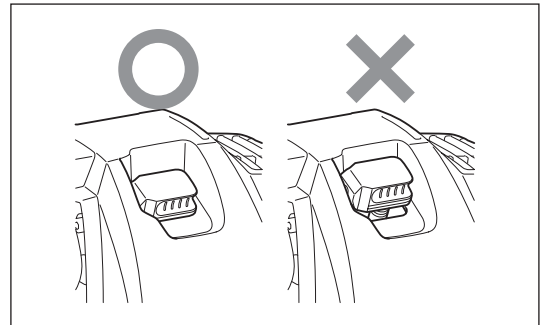
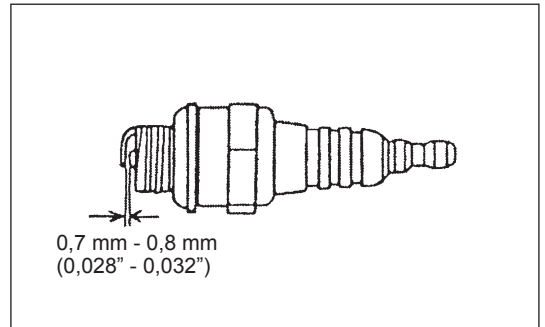
Sidekrog

Krog

KONTROL AF TÆNDRØRET

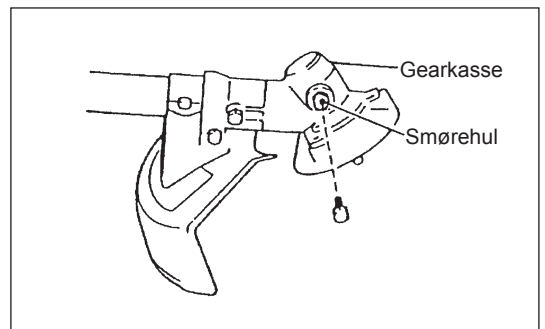
- Anvend kun den medfølgende skiftenøgle til at afmontere og montere tændrøret med.
- Afstanden mellem tændrørets to elektroder bør være på 0,7 - 0,8 mm (0,028" - 0,032"). Hvis afstanden er for stor eller for lille, skal du justere den. Hvis tændrøret er sodet til eller beskidt, skal du rense det ordentligt og eller udskifte det.
Placer tændrørshætten som illustreret efter kontrol.

FORSIGTIG: Rør aldrig ved tændrørshætten, mens motoren kører (der er risiko for elektrisk stød med høj spænding).



TILFØRING AF SMØREMIDDEL TIL GEARKASSEN

- Tilføj smøremiddel (Shell Alvania 2 eller tilsvarende) til gearkassen gennem smørehullet hver 30. time. (Ægte MAKITA-smøremiddel kan anskaffes fra din MAKITA-forhandler.)



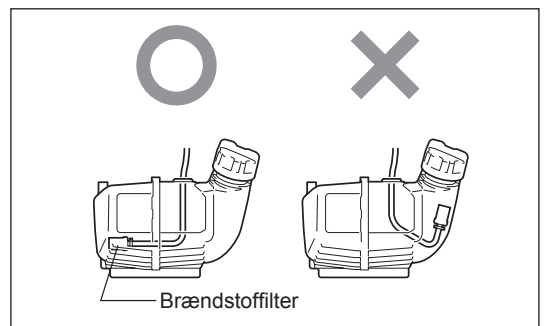
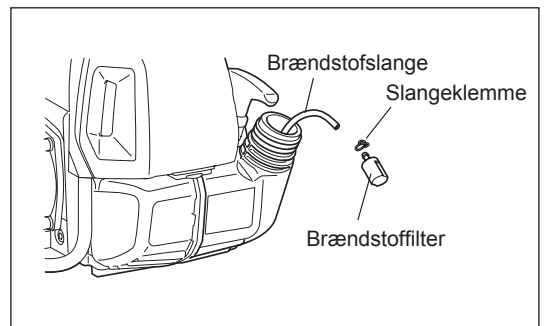
RENGØRING AF BRÆNDSTOFFILTER

ADVARSEL: BRÆNDBARE STOFFER ER STRENGT FORBUDT

Interval for rengøring og eftersyn: Hver måned (hver 50. driftstime)

Sugehoved i brændstoftanken

- Sugehovedets brændstoffilter (1) anvendes til at filtrere det brændstof, som karburatoren behøver.
- Der skal med mellemrum foretages visuelt eftersyn af brændstoffilteret. Åbn tankdækslet og brug en trådkrog til at trække sugehovedet ud gennem tankåbningen med. Hvis filteret er hårdt eller tilstoppet, skal det udskiftes.
- Udskift brændstoffilteret mindst en gang i kvartalet for at sikre en tilstrækkelig brændstofforførsel til karburatoren. Ellers kan en utilstrækkelig brændstofforførsel forårsage problemer med motorstart og begrænset maksimumhastighed.
- Efter kontrol, rengøring eller udskiftning skal du fastgøre brændstoffilteret til brændstofslangen med slangeklemmen. Tryk brændstoffilteret helt ind i bunden af brændstoftanken.



UDSKIFTNING AF BRÆNDSTOFSLANGE

FORSIGTIG: BRÆNDBARE STOFFER ER STRENGT FORBUDT

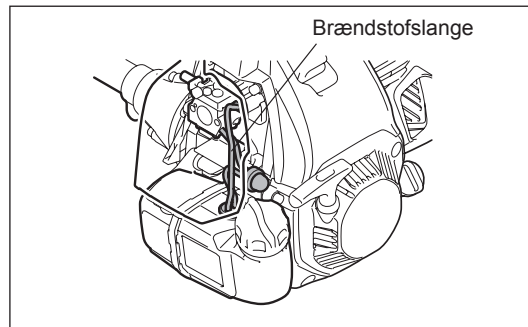
Interval for rengøring og eftersyn: Dagligt (hver 10. driftstime)

Udskiftning: Årligt (hver 200. driftstime)

Udskift brændstofslangen hvert år uanset antallet af driftstimer.

Brændstoflækage kan føre til brand.

Hvis der opdages utætheder under inspektion, skal brændstofslangen straks udskiftes.



EFTERSYN AF BOLTE, MØTRIKKER OG SKRUER

- Efterspænd løse bolte, møtrikker osv.
- Kontroller, at brændstofdækslet og oliedækslet er strammet ordentligt til. Kontroller for brændstof- og olielækage.
- Udskift beskadigede dele med nye for sikker betjening.

RENGØRING AF DELE

- Sørg for altid at holde motoren ren ved at tørre den af med en klud.
- Hold altid cylinderribberne fri for støv og snavs. Støv eller snavs der sidder fast på ribberne kan forårsage stempelstop.

UDSKIFTNING AF TÆTNINGER OG PAKNINGER

Udskift tætninger og pakninger hvis motoren skilles ad.

Alt vedligeholdelses- eller justeringsarbejde, der ikke er inkluderet og beskrevet i denne brugsanvisning, må kun udføres af autoriserede serviceagenter.

OPBEVARING

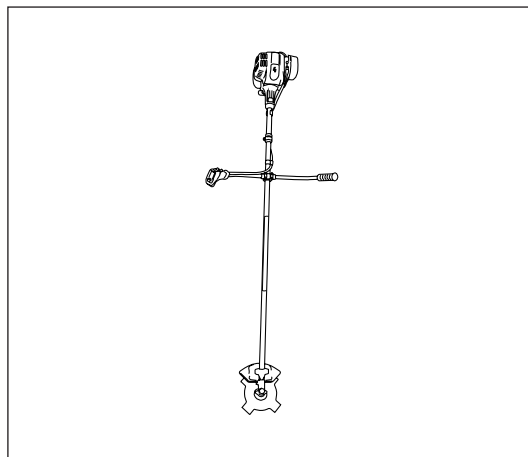


ADVARSEL: Motoren er stadig varm lige efter standsning motoren. Giv motoren tilstrækkelig tid til at køle af efter den er standset, når du tømmer brændstoffet af. Ellers kan det medføre hudforbrændinger og/eller brand.



FARE: Når maskinen ikke skal anvendes i længere tid, skal du tømme al brændstoffet ud af tanken og karburatoren, og opbevare den på et tørt og rent sted.

- Tøm brændstoftanken og karburatoren for brændstof i henhold til den følgende procedure:
 - 1) Tag tankdækslet af og tøm alt brændstoffet ud. Hvis der er fremmedlegemer/snavs tilbage i brændstoftanken, skal det fjernes fuldstændigt.
 - 2) Træk brændstoffilteret ud gennem påfyldningsåbningen med en metaltråd.
 - 3) Tryk på tipperen indtil brændstoffet er tømt ud fra den, og udtøm derefter det brændstof der kom ind brændstoftanken.
 - 4) Placer filteret tilbage i brændstoftanken og stram brændstoftankdækslet ordentligt til.
 - 5) Lad derefter motoren køre indtil den stopper.
- Fjern tændrøret og dryp adskillige dråber motorolie ned gennem tændrørshullet.
- Træk forsigtigt i starthåndtaget så motorolien spredes ud i motoren, og sæt tændrøret på.
- Monter afskærmningen til metalklingen.
- Maskinen bør generelt opbevares i vandret position, og hvis det ikke er muligt, så skal maskinen placeres, så skæreværktøjet er under motoren. Vær meget opmærksom på opbevaringen af maskinen så den ikke vælter. Ellers kan det muligvis medføre personskader.
- Opbevar det udtømte brændstof i særlig beholder på et sted i skygge med god ventilation.



Bemærk efter lang tids opbevaring

- Inden start efter lang tids opbevaring skal du sørge for at udskifte olien (se S 204). Olien nedbrydes, mens maskinen ikke anvendes.

Del	Driftstid	Inden brug	Efter påfyldning af brændstof	Dagligt (10 t)	30 t	50 t	200 t	Inden opbevaring	Se side
Motorolie	Efterse/rengør	○							195
	Udskift					○*1			204
Fastgørende dele (bolte, møtrikker)	Efterse	○							206
Brændstoftank	Rengør/efterse	○							—
	Tøm for brændstof							○*3	207
Gashåndtag	Kontroller funktion		○						—
Stop-kontakt	Kontroller funktion		○						204
Skæreværktøj	Efterse	○		○					192
Tomgangshastighed	Efterse/juster			○					200
Luffilter	Rengør			○					205
Tændrør	Efterse			○					206
Luftafkølingskanal og cylinderribber	Rengør/efterse			○					207
Brændstofslange	Efterse			○					207
	Udskift						◎*2		—
Gearkasseolie	Påfyld				○				206
Brændstoffilter	Rengør/udskift					○			206
Ventilafstand (indsugningsventil og udstødningsventil)	Efterse/juster						◎*2		—
Karburator	Tøm for brændstof							○*3	207

*1 Foretag første udskiftning efter 20 timers brug.

*2 Ved 200 driftstimers-eftersynet skal du henvende dig til en godkendt serviceagent eller en maskinforretning.

*3 Efter tømning af brændstoftanken skal du lade motoren fortsætte med at køre og tømme karburatoren for brændstof.

FEJLFINDING

Kontroller selv for fejl, inden du anmoder om reparation. Hvis du finder noget unormalt, skal du kontrollere maskinen i henhold til beskrivelsen i denne brugsanvisning. Undlad at pille ved eller afmontere dele i strid med beskrivelsen. Kontakt en godkendt serviceagent eller lokal forhandler.

Problem	Sandsynlig årsag (funktionsfejl)	Afhjælpning
Motoren starter ikke	I-O kontakt indstillet til STOP.	Indstil I-O kontakten på BETJENING.
	Tipperen er ikke blevet anvendt	Tryk 7 til 10 gange
	Langsom træk hastighed ved træk i startersnoren	Træk hårdt til
	Mangel på brændstof	Påfyld brændstof
	Tilstoppet brændstoffilter	Rengør
	Knækket brændstofslange	Ret brændstofslangen ud
	Gammelt brændstof	Gammelt brændstof gør det svært at starte. Udskift med nyt brændstof. (Anbefalet udskiftning: 1 måned)
	For stort brændstofindtag	Sæt gashåndtaget fra medium hastighed til høj hastighed, og træk i starthåndtaget, indtil motoren starter. Metalklingen begynder at rotere, så snart motoren starter. Vær meget opmærksom på metalklingen. Hvis motoren stadig ikke starter, skal du fjerne tændrørshætten, tørre elektroden af, og samle dem som de var. Start derefter som anvist.
	Aftaget tændrørshætte	Sæt den ordentligt på
	Snavset tændrør	Rengør
	Unormal tændrørsafstand	Juster afstanden
	Andre problemer med tændrør	Udskift
	Unormal karburator	Anmod om eftersyn og vedligeholdelse.
Startersnor kan ikke trækkes ud	Anmod om eftersyn og vedligeholdelse.	
Unormalt drivsystem	Anmod om eftersyn og vedligeholdelse.	
Motoren stopper hurtigt Motorhastigheden stiger ikke	Utilstrækkelig opvarmning	Foretag opvarmning
	Chokerhåndtaget er sat på "LUKKET"-positionen, selvom motoren er varmet op.	Sæt den til "ÅBEN"
	Tilstoppet brændstoffilter	Rengør
	Snavset og tilstoppet luftfilter	Rengør
	Unormal karburator	Anmod om eftersyn og vedligeholdelse.
	Unormalt drivsystem	Anmod om eftersyn og vedligeholdelse.
Metalklingen roterer ikke ↓ Stop straks motoren	Metalklingens tilspændingsmøtrik er løsnet	Stram ordentligt til
	Der er fanget kviste i metalklingen eller skærmen til forhindring af spredning.	Fjern fremmedlegemer
	Unormalt drivsystem	Anmod om eftersyn og vedligeholdelse.
Maskinen vibrerer unormalt ↓ Stop straks motoren	Brækket, bøjet eller udslidt metalklinge	Udskift metalklinge
	Metalklingens tilspændingsmøtrik er løsnet	Stram ordentligt til
	Konveks del af metalklinge og metalklingebeslag flyttet.	Sæt den ordentligt på
	Unormalt drivsystem	Anmod om eftersyn og vedligeholdelse.
Metalklingen stopper ikke med det samme ↓ Stop straks motoren	Høj tomgangsrotation	Juster
	Afbrudt gashåndtagsledning	Sæt den ordentligt på
	Unormalt drivsystem	Anmod om eftersyn og vedligeholdelse.
Motoren stopper ikke ↓ Kør motoren i tomgang og sæt chokerhåndtaget til LUKKET	Løsrevet kontakt	Sæt den ordentligt på
	Unormalt el-system	Anmod om eftersyn og vedligeholdelse.

Når motoren ikke starter efter foretagelse af opvarmning:

Hvis der ikke er fundet noget unormalt blandt de kontrollerede punkter, skal du åbne gashåndtaget cirka 1/3 og starte motoren.

Σας ευχαριστούμε πολύ που αγοράσατε αυτή τη μηχανοκίνητη συσκευή εξωτερικού χώρου της MAKITA. Βρισκόμαστε στην ευχάριστη θέση να σας συστήσουμε αυτό το προϊόν της MAKITA, το οποίο είναι το αποτέλεσμα ενός μακρού προγράμματος ανάπτυξης και πολλών χρόνων γνώσεων και εμπειρίας. Παρακαλώ διαβάστε αυτό το φυλλάδιο το οποίο αναφέρεται λεπτομερώς στα διάφορα σημεία που θα επιδείξουν την εξαιρετική του απόδοση. Αυτό θα σας βοηθήσει να αποκτήσετε τα καλύτερα δυνατά αποτελέσματα από αυτό το προϊόν της MAKITA.



Πίνακας περιεχομένων

Σελίδα

Σύμβολα	210
Οδηγίες ασφαλείας	211
Τεχνικά δεδομένα	215
Καθορισμός εξαρτημάτων	216
Στερέωση του χερουλιού	217
Στερέωση του προφυλακτήρα	218
Στερέωση της μεταλλικής λάμας ή της νάιλον κοπτικής κεφαλής	220
Πριν από την έναρξη της λειτουργίας	221
Σωστός χειρισμός του μηχανήματος	223
Σημεία χειρισμού και τρόπος σταματήματος	224
Ακόνισμα του κοπτικού εργαλείου	226
Οδηγίες σέρβις	230
Αποθήκευση	233

ΣΥΜΒΟΛΑ

Χρειάζεται να προσέξετε τα παρακάτω σύμβολα όταν διαβάζετε το εγχειρίδιο οδηγιών.

	Διαβάστε το εγχειρίδιο οδηγιών και ακολουθήστε τις προειδοποιήσεις και τα μέτρα ασφαλείας!		Κρατήστε μακριά από την περιοχή εργασίας όλα τα άτομα και τα ζώα!
	Δώστε ιδιαίτερη φροντίδα και προσοχή!		Φοράτε κράνος και προστατευτικά για τα μάτια και τα αφτιά!
	Απαγορεύεται!		Ανώτερη επιτρεπτή ταχύτητα του εργαλείου
	Διατηρήστε μια απόσταση!		Καύσιμο (Βενζίνη)
	Κίνδυνος εκτίναξης αντικειμένων!		Κινητήρας-χειροκίνητη εκκίνηση
	Οπισθολάκτισμα!		Διακοπή έκτακτης ανάγκης
	Απαγορεύεται το κάπνισμα!		Πρώτες βοήθειες
	Όχι γυμνές φλόγες!		ΕΝΕΡΓΟΠΟΙΗΣΗ/ΕΚΚΙΝΗΣΗ
	Πρέπει να φοράτε προστατευτικά γάντια!		ΑΠΕΝΕΡΓΟΠΟΙΗΣΗ/ΣΤΑΜΑΤΗΜΑ
	Να φοράτε ανθεκτικές μπότες με αντιολισθητικές σόλες. Συνιστανται μπότες ασφαλείας με ενίσχυση στα άκρα των δακτύλων!		ΘΕΣΗ ΚΛΕΙΔΩΜΑΤΟΣ ΤΟΥ ΓΚΑΖΙΟΥ

Γενικές οδηγίες

- Διαβάστε αυτό το εγχειρίδιο οδηγιών για να εξοικειωθείτε με τον χειρισμό της συσκευής. Οι χρήστες οι οποίοι δεν διαθέτουν επαρκή ενημέρωση θα θέσουν σε κίνδυνο τους εαυτούς τους και τους άλλους λόγω του ακατάλληλου χειρισμού.
- Συνιστάται να δανείζετε τη συσκευή μόνο στα άτομα που έχουν αποδεδειγμένη εμπειρία στο χειρισμό της. Πάντοτε να παραδίδετε το εγχειρίδιο οδηγιών.
- Οι χρήστες που το χρησιμοποιούν για πρώτη φορά θα πρέπει να ρωτούν τον μεταπωλητή τους για τις βασικές οδηγίες έτσι ώστε να εξοικειωθούν με το χειρισμό των θαμνοκοπτικών.
- Στα παιδιά και στα νεαρά άτομα κάτω των 18 ετών δεν θα πρέπει να τους επιτρέπεται η χρήση της συσκευής. Τα άτομα με ηλικία πάνω από 16 ετών θα μπορούσαν να χρησιμοποιήσουν την συσκευή για εκπαιδευτικούς σκοπούς, κάτω από την επίβλεψη ενός έμπειρου εκπαιδευτή.
- Χρησιμοποιήστε με τη μεγαλύτερη δυνατή φροντίδα και προσοχή.
- Χειριστείτε μόνο όταν βρίσκεστε σε καλή φυσική κατάσταση. Εκτελέστε όλες τις εργασίες με ηρεμία και προσοχή. Ο χρήστης θεωρείται υπεύθυνος για τους άλλους.
- Ποτέ να μην χρησιμοποιήσετε αυτή τη συσκευή μετά από την κατανάλωση αλκοόλ ή φαρμάκων, ή εάν αισθάνεστε κουρασμένοι ή είστε ασθενείς.
- Η εθνική νομοθεσία μπορεί να περιορίζει τη χρήση του μηχανήματος.

Προοριζόμενη χρήση του μηχανήματος

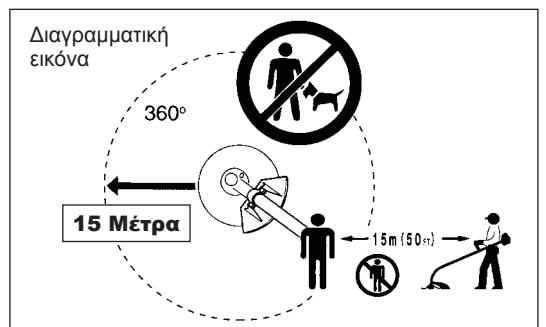
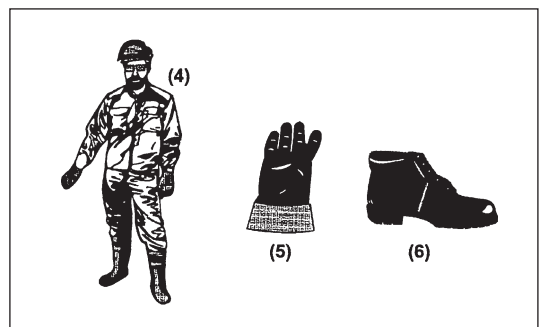
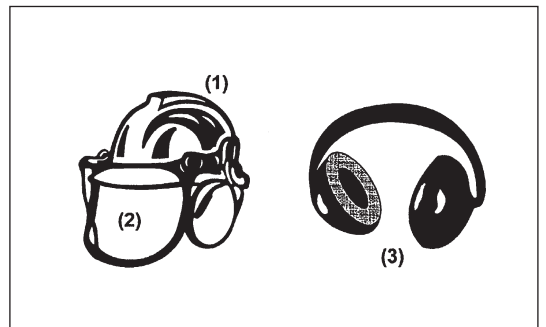
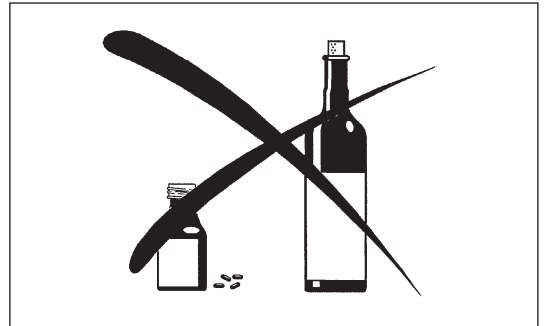
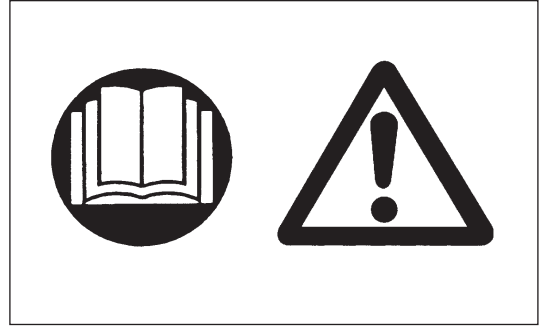
- Η συσκευή αυτή προορίζεται μόνο για την κοπή γρασιδιού, χόρτων, θάμνων και ελαφριών βλάστησης. Δεν πρέπει να χρησιμοποιηθεί για άλλους σκοπούς όπως κοπή άκρων ή φρακτών επειδή μπορεί να προκαλέσει τραυματισμό.

Προσωπικός προστατευτικός εξοπλισμός

- Ο ρουχισμός που φοράτε θα πρέπει να είναι λειτουργικός και κατάλληλος, δηλαδή να είναι εφαρμοστός αλλά να μην σας παρεμποδίζει. Μην φοράτε κοσμήματα ή ρούχα τα οποία μπορούν να μπλεχτούν μέσα στους θάμνους ή στους βάλτους.
- Για την προστασία του τραυματισμού της κεφαλής, των ματιών ή των ποδιών καθώς επίσης και την προστασία της ακοής κατά την λειτουργία, θα πρέπει να χρησιμοποιηθεί ο παρακάτω προστατευτικός εξοπλισμός και ο προστατευτικός ρουχισμός κατά τον χειρισμό της συσκευής.
- Πάντοτε να φοράτε κράνος όπου υπάρχει ο κίνδυνος της πτώσης αντικειμένων. Το κράνος (1) θα πρέπει να ελέγχεται για την ύπαρξη ζημιών κατά τακτικά χρονικά διαστήματα και θα πρέπει να αντικατασταθεί τουλάχιστον μετά από 5 χρόνια. Χρησιμοποιείτε μόνο εγκεκριμένα προστατευτικά κράνη.
- Η προσωπίδα (2) του κράνου (ή εναλλακτικά προστατευτικά γυαλιά) προστατεύει το πρόσωπο από τα θραύσματα και τις πέτρες που ίπτανται. Κατά τον χειρισμό, πάντοτε να φοράτε προστατευτικά γυαλιά ή προσωπίδα για την αποφυγή του τραυματισμού των ματιών.
- Φοράτε τον απαραίτητο εξοπλισμό προστασίας έναντι στο θόρυβο για την αποφυγή πρόκλησης βλάβης στην ακοή (προστατευτικά επικαλύμματα αυτιών (3), ωτοασπίδες κτλ.).
- Η φόρμα εργασίας (4) προστατεύει από τις πέτρες και τα θραύσματα που ίπτανται. Σας συστήνουμε ανεπιφύλακτα την χρήση της φόρμας εργασίας από το χρήστη.
- Τα γάντια (5) αποτελούν μέρος του συνιστώμενου εξοπλισμού και πρέπει πάντοτε να φοριούνται κατά το χειρισμό.
- Κατά τη χρήση της συσκευής, πάντοτε να φοράτε ανθεκτικά παπούτσια (6) με αντιολισθητικές σόλες. Αυτά προστατεύουν έναντι των τραυματισμών και διασφαλίζουν το καλό πάτημα.

Εκκίνηση του θαμνοκοπτικού

- Φροντίστε ώστε να μην υπάρχουν παιδιά ή άλλα άτομα μέσα σε μια απόσταση εργασίας 15 μέτρων (50 ποδιών), επίσης δώστε προσοχή στα οποιαδήποτε ζώα μέσα στην περιοχή εργασίας.
- Πριν από τη χρήση ελέγχετε πάντοτε ότι η συσκευή είναι ασφαλής για εργασία: Ελέγξτε την ασφάλεια του κοπτικού εργαλείου, το μοχλό του γκαζιού για την ευκολία δράσης και ελέγξτε την κατάλληλη λειτουργικότητα της ασφάλειας του μοχλού του γκαζιού.
- Το κοπτικό εργαλείο δεν πρέπει να περιστρέφεται στο ρελαντί. Εάν έχετε αμφιβολία απευθυνθείτε στον μεταπωλητή σας για τη ρύθμιση. Ελέγξτε τα χερούλια ώστε να είναι καθαρά και ξηρά και δοκιμάστε τη λειτουργία του διακόπτη εκκίνησης/σταματήματος.

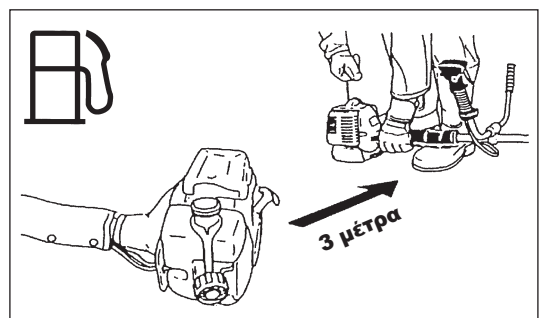
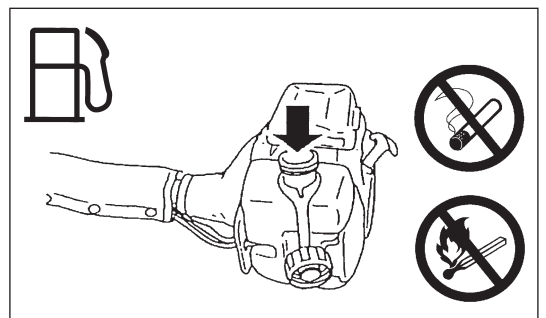
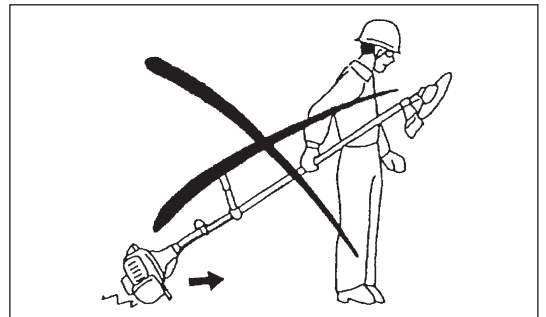
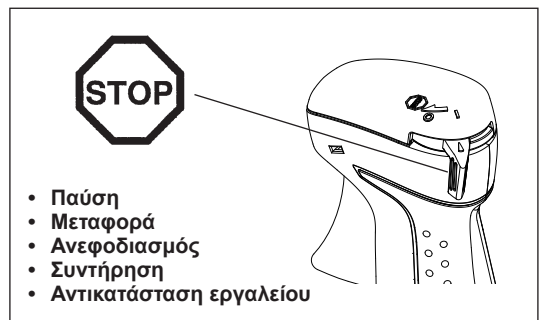
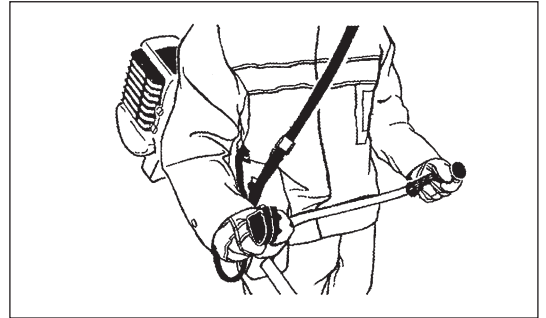
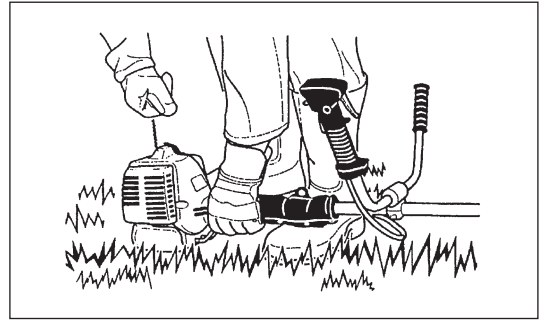


Ξεκινήστε το θαμνοκοπτικό μόνο σύμφωνα με τις οδηγίες.

- Μην χρησιμοποιήσετε οποιοσδήποτε άλλες μεθόδους για να ξεκινήσετε τον κινητήρα!
- Χρησιμοποιήστε το θαμνοκοπτικό και τα εργαλεία μόνο για τις καθορισμένες εφαρμογές.
- Ξεκινήστε τον κινητήρα μόνο αφού ολοκληρωθεί πλήρως η συναρμολόγηση. Η λειτουργία της συσκευής επιτρέπεται μόνο αφού συνδεθούν όλα τα κατάλληλα εξαρτήματα!
- Πριν το ξεκίνημα, βεβαιωθείτε ότι το κοπτικό εργαλείο δεν βρίσκεται σε επαφή με σκληρά αντικείμενα όπως κλαδιά, πέτρες κτλ επειδή το κοπτικό εργαλείο θα περιστραφεί κατά την εκκίνηση.
- Ο κινητήρας σβήνει αμέσως στην περίπτωση που συμβούν μηχανικά προβλήματα.
- Εάν το κοπτικό εργαλείο χτυπήσει πέτρες ή άλλα σκληρά αντικείμενα, αμέσως κλείστε τον κινητήρα και επιθεωρήστε το κοπτικό εργαλείο.
- Επιθεωρείτε το κοπτικό εργαλείο για ζημιά ανά τακτά και σύντομα διαστήματα (διάγνωση λεπτών ρωγμών χρησιμοποιώντας το τεστ ήχου που παράγεται από την κρούση).
- Εάν η συσκευή χτυπήσει δυνατά κατά την πτώση, ελέγξτε την κατάσταση πριν συνεχίσετε την εργασία. Ελέγξτε το σύστημα καυσίμου για ύπαρξη διαρροής καυσίμου αλλά και τα χειριστήρια και τις διατάξεις ασφαλείας για ύπαρξη δυσλειτουργίας. Εάν υπάρχει οποιαδήποτε ζημιά ή αν έχετε αμφιβολίες, επικοινωνήστε με το δικό μας εξουσιοδοτημένο κέντρο εξυπηρέτησης για επιθεώρηση και επισκευή.
- Να χειρίζεστε τη συσκευή μόνο έχοντας συνδεδεμένο τον ιμάντα ώμου, ο οποίος θα πρέπει να προσαρμόζεται κατάλληλα πριν θέσετε σε λειτουργία το θαμνοκοπτικό. Είναι σημαντικό να προσαρμόσετε τον ιμάντα ώμου ανάλογα με το σωματικό μέγεθος του χρήστη για να μην είναι κουραστική η χρήση. Ποτέ να μην κρατάτε τον κόφτη με το ένα χέρι κατά την χρήση.
- Κατά την χρήση, πάντοτε να κρατάτε το θαμνοκοπτικό με τα δυο σας χέρια. Πάντοτε να έχετε ένα ασφαλές πάτημα.
- Να χειρίζεστε τη συσκευή με τέτοιο τρόπο ώστε να αποφεύγετε την εισπνοή των καυσαερίων. Ποτέ να μην λειτουργήσετε τον κινητήρα σε κλειστά δωμάτια (υπάρχει κίνδυνος δηλητηρίασης από αέρια). Το μονοξείδιο του άνθρακα είναι ένα άσπρο αέριο.
- Σβήνετε τον κινητήρα όταν σταματάτε κατά την ανάπαυση και όταν παραμένει η συσκευή χωρίς επίβλεψη, και τοποθετήστε τη σε ένα ασφαλές χώρο για την αποφυγή πρόκλησης κινδύνου σε άλλους ή ζημιάς στο μηχανήμα.
- Ποτέ να μην τοποθετείτε το θαμνοκοπτικό όταν είναι ζεστό πάνω σε ξερά χόρτα ή πάνω σε άλλα εύφλεκτα υλικά.
- Πάντοτε να εγκαθιστάτε τον εγκεκριμένο προφυλακτήρα του κοπτικού εργαλείου πάνω στη συσκευή πριν την εκκίνηση του κινητήρα. Διαφορετικά η επαφή με το κοπτικό εργαλείο μπορεί να προκαλέσει σοβαρό τραυματισμό.
- Όλα τα προστατευτικά συγκροτήματα και προφυλακτήρες που παρέχονται με το μηχανήμα πρέπει να χρησιμοποιούνται κατά τη λειτουργία.
- Ποτέ να μην χειρίζεστε τον κινητήρα με ένα σιγαστήρα της εξάτμισης που έχει πάθει ζημιά.
- Κλείστε τον κινητήρα κατά την μεταφορά.
- Κατά την μεταφορά της συσκευής, πάντοτε να τοποθετείτε το κάλυμμα στη μεταλλική λάμα.
- Διασφαλίστε την ασφαλή τοποθέτηση της συσκευής κατά την μεταφορά με αυτοκίνητο για την αποφυγή της διαρροής καυσίμου.
- Κατά την μεταφορά, διασφαλίστε ότι το ρεζερβουάρ καυσίμου είναι εντελώς άδειο.
- Κατά την εκφόρτωση της συσκευής από την κάρτσα, ποτέ να μην ρίξετε κάτω τον κινητήρα στο έδαφος επειδή αν το κάνετε αυτό μπορεί να προκληθεί σοβαρή βλάβη στο ρεζερβουάρ καυσίμου.
- Εκτός από την περίπτωση της έκτακτης ανάγκης, ποτέ να μην ρίξετε ή να πετάξετε τη συσκευή στο έδαφος επειδή αν το κάνετε αυτό μπορεί να προκληθεί σοβαρή ζημιά στη συσκευή.
- Θυμηθείτε να σηκώνετε ολόκληρο τον κινητήρα από το έδαφος όταν μετακινείτε τη συσκευή. Το σύστημα του ρεζερβουάρ καυσίμου είναι πολύ επικίνδυνο και θα προκαλέσει ζημιά και διαρροή καυσίμου, προκαλώντας πιθανόν την πυρκαγιά.

Ανεφοδιασμός

- Κατά τον ανεφοδιασμό καυσίμου σβήστε τον κινητήρα, να είστε μακριά από τις γυμνές φλόγες και να μην καπνίζετε.
- Αποφύγετε την επαφή του δέρματος με προϊόντα ορυκτών λαδιών. Μην εισπνέετε τον ατμό του καυσίμου. Πάντοτε να φοράτε προστατευτικά γάντια κατά τον ανεφοδιασμό καυσίμου. Αλλάζετε και καθαρίζετε τον προστατευτικό ρουχισμό σε τακτικά διαστήματα.
- Δώστε προσοχή ώστε να μην ρίξετε κάτω καύσιμο ή λάδια για την αποφυγή της ρύπανσης του εδάφους (προστασία του περιβάλλοντος). Καθαρίστε το θαμνοκοπτικό αμέσως αν πέσει πάνω του καύσιμο.
- Αποφύγετε την οποιαδήποτε επαφή του καυσίμου με τα ρούχα σας. Αλλάξτε το ρουχισμό σας αμέσως μετά την πτώση του καυσίμου επάνω του (για την αποφυγή της πρόκλησης φωτιάς στα ρούχα σας).
- Επιθεωρήστε την τάπα του καυσίμου ανά τακτά διαστήματα για να διασφαλίσετε ότι μπορεί να στερεωθεί σταθερά και ότι δεν παρουσιάζει διαρροή.
- Προσεκτικά σφίξτε την τάπα του ρεζερβουάρ καυσίμου. Αλλάξτε θέση για την εκκίνηση του κινητήρα (τουλάχιστον 3 μέτρα μακριά από τον χώρο του ανεφοδιασμού).
- Ποτέ να μην ανεφοδιάζετε σε κλειστά δωμάτια. Οι ατμοί του καυσίμου συσσωρεύονται στο επίπεδο του εδάφους (κίνδυνος εκρήξεων).
- Να μεταφέρετε και να αποθηκεύετε το καύσιμο σε κατάλληλα δοχεία. Φροντίστε ώστε το αποθηκευμένο καύσιμο να μην είναι προσβάσιμο στα παιδιά.



Μέθοδος Λειτουργίας

- Χρησιμοποιήστε μόνο κάτω από καλό φωτισμό και ορατότητα. Κατά τη διάρκεια της εποχής του χειμώνα δώστε προσοχή στις περιοχές που είναι υγρές και γλιστρούν, στον πάγο και στο χιόνι (κίνδυνος ολισθηρότητας). Πάντοτε να έχετε ένα ασφαλές πάτημα.
- Ποτέ μην κόβετε επάνω από το ύψος της μέσης σας.
- Ποτέ να μην στέκεστε πάνω σε μια σκάλα.
- Ποτέ να μην σκαρφαλώνετε σε δέντρα για να εκτελέσετε εργασίες κοπής.
- Ποτέ να μην εργάζεστε πάνω σε ασταθείς επιφάνειες.
- Αφαιρέστε την άμμο, τις πέτρες, τα καρφιά κτλ που βρίσκονται μέσα στο εύρος της περιοχής εργασίας.
Τα ξένα στοιχεία μπορεί να προκαλέσουν ζημιά στο κοπτικό εργαλείο και να δημιουργήσουν επικίνδυνα οπισθολακτίσματα.
- Πριν το ξεκίνημα της κοπής, το κοπτικό εργαλείο θα πρέπει να έχει αποκτήσει την πλήρη ταχύτητα λειτουργίας.
- Κατά τη χρήση μεταλλικών λαμών, ταλαντεύστε ομοιόμορφα το εργαλείο κάνοντας μισό κύκλο από δεξιά προς τα αριστερά, σαν να χρησιμοποιείτε ένα δρεπάνι. Αν γρασιδί ή κλαδιά μπλεχτούν μεταξύ του κοπτικού εργαλείου και του προφυλακτήρα, να σταματάτε πάντοτε τον κινητήρα πριν από τον καθαρισμό. Διαφορετικά η ακούσια περιστροφή της λάμας μπορεί να προκαλέσει σοβαρό τραυματισμό.
- Ξεκουραστείτε για να μην χάσετε τον έλεγχο λόγω κόυρασης. Σας συνιστούμε να κάνετε 10 έως 20 λεπτά διάλειμμα κάθε ώρα.

Κοπτικά εργαλεία

- Χρησιμοποιήστε ένα κατάλληλο κοπτικό εργαλείο για την εργασία που πρόκειται να κάνετε.
Οι νάιλον κοπτικές κεφαλές (κεφαλές κοπής μεσινέζας) είναι κατάλληλες για το κόψιμο γρασιδιού.
Οι μεταλλικές λάμες είναι κατάλληλες για την κοπή χόρτων, υψηλού γρασιδιού, θάμνων, δενδρολλιών, χαμηλής βλάστησης, συστάδων φυτών, και των παρομοίων.
Ποτέ να μην χρησιμοποιήσετε άλλες λάμες συμπεριλαμβανομένων των μεταλλικών περιστροφικών αλυσίδων πολλαπλών τμημάτων και των αλωνιστικών λαμών. Διαφορετικά μπορεί να προκληθεί σοβαρός τραυματισμός.
- Κατά τη χρήση μεταλλικών λαμών, αποφύγετε το "οπισθολακτίσμα" και να είστε πάντοτε προετοιμασμένοι για ένα αναπάντεχο οπισθολακτίσμα. Δείτε την ενότητα "Οπισθολακτίσμα" και "Αποφυγή οπισθολακτίσματος."

Οπισθολακτίσμα (κλώτσημα λάμας)

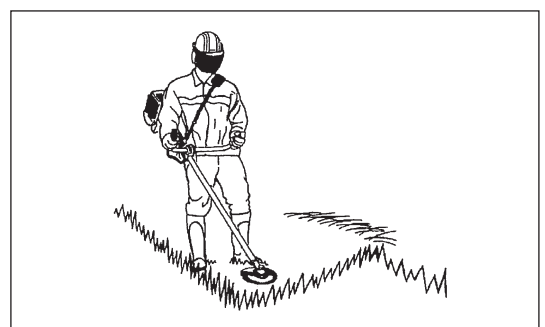
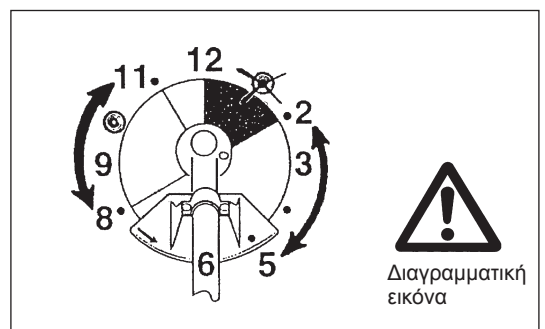
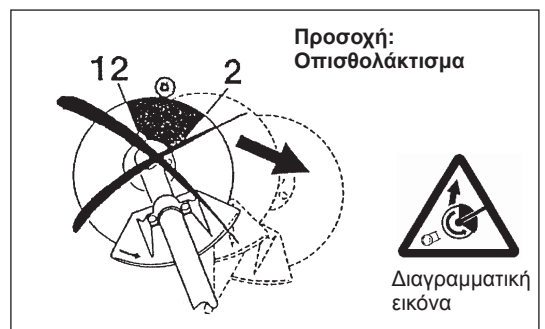
- Το οπισθολακτίσμα (κλώτσημα λάμας) είναι μια απότομη αντίδραση σε μια σφιγμένη ή κολλημένη μεταλλική λάμα. Μόλις συμβεί αυτό, η συσκευή ρίχνεται στα πλάγια ή προς τον χειριστή σε μεγάλη δύναμη και μπορεί να προκαλέσει σοβαρό τραυματισμό.
- Το οπισθολακτίσμα εμφανίζεται ιδιαίτερα κατά την χρήση του τμήματος της λάμας των 12 και 2 "ωρών" πάνω σε στερεά, θάμνους και δέντρα με διάμετρο 3 cm ή μεγαλύτερη.
- Για την αποφυγή οπισθολακτίσματος:
 - Χρησιμοποιήστε το τμήμα μεταξύ των 8 και 11 "ωρών".
 - Ποτέ μην χρησιμοποιήσετε το τμήμα μεταξύ των 12 και 2 "ωρών".
 - Ποτέ μην χρησιμοποιείται το τμήμα μεταξύ των 11 και 12 "ωρών" και το τμήμα μεταξύ των 2 και 5 "ωρών", εκτός και αν ο χειριστής είναι καλά εκπαιδευμένος και έμπειρος και το κάνει με δική του ευθύνη.
 - Ποτέ να μην χρησιμοποιήσετε μεταλλικές λάμες κοντά σε συμπυαγή αντικείμενα όπως φράχτες, τοίχους, κορμούς δέντρων και πέτρες.
 - Ποτέ να μην χρησιμοποιείτε τις μεταλλικές λάμες κάθετα, για εργασίες όπως το κλάδεμα και την κοπή των άκρων των φρακτών.

Δόνηση

- Τα άτομα με κακό κυκλοφορικό σύστημα τα οποία εκτίθενται σε υπερβολικούς κραδασμούς μπορεί να παρουσιάσουν βλάβη στα αιμοφόρα αγγεία ή στο νευρικό σύστημα. Οι κραδασμοί ενδέχεται να προκαλέσουν τα ακόλουθα συμπτώματα στα δάχτυλα, τα χέρια ή τους καρπούς: "Κοίμισμα" (μούδιασμα), μυρμηγκιασμα, πόνος, σουβλιές, αλλαγή χρώματος ή υφής του δέρματος. Εάν έχετε οποιαδήποτε από αυτά τα συμπτώματα, επισκεφτείτε ένα γιατρό!
- Για την ελάττωση του κινδύνου της "ασθένειας των άσπρων δακτύλων", διατηρήστε τα χέρια σας ζεστά κατά την λειτουργία και διατηρήστε σε καλή κατάσταση τη συσκευή και τα εξαρτήματα.

Οδηγίες συντήρησης

- Επισκευάζετε τη συσκευή σας στο δικό μας εξουσιοδοτημένο κέντρο σέρβις, χρησιμοποιώντας πάντοτε αυθεντικά ανταλλακτικά. Η λανθασμένη επισκευή και η φτωχή συντήρηση μπορεί να μειώσει την διάρκεια της ωφέλιμης ζωής της συσκευής και να αυξήσει τον κίνδυνο ατυχημάτων.
- Η κατάσταση του κόφτη, ιδιαίτερα του κοπτικού εργαλείου, των προστατευτικών συσκευών και επίσης του ιμάντα του ώμου θα πρέπει να ελέγχεται πριν από την έναρξη της εργασίας. Ιδιαίτερη προσοχή πρέπει επίσης να δίνεται στις μεταλλικές λάμες οι οποίες πρέπει να είναι σωστά ακονισμένες.
- Κλείστε τον κινητήρα και αφαιρέστε το σύνδεσμο του μπουζί κατά την αντικατάσταση ή το ακόνισμα των κοπτικών εργαλείων και επίσης κατά τον καθαρισμό του κόφτη ή του κοπτικού εργαλείου.



Ποτέ να μην ισιώνετε ή να συγκολλάτε κατεστραμμένα κοπτικά εργαλεία.

- Δώστε προσοχή στο περιβάλλον. Αποφύγετε την άσκοπη λειτουργία του γκαζιού για λιγότερη ρύπανση και εκπομπές θορύβου. Ρυθμίστε το καρμπυρατέρ σωστά.
- Καθαρίζετε τη συσκευή ανά τακτά διαστήματα και ελέγχετε ότι όλες οι βίδες και τα παξιμάδια είναι καλά σφιγμένα.
- Ποτέ να μην κάνετε τη συντήρηση ή την αποθήκευση της συσκευής κοντά σε γυμνές φλόγες.
- Πάντοτε να αποθηκεύετε τη συσκευή σε κλειδωμένα δωμάτια με άδειο το ρεζερβουάρ καυσίμου.
- Κατά το καθαρίσµα, τη συντήρηση και την αποθήκευση της συσκευής, πάντοτε να συνδέετε το κάλυµµα στη µεταλλική λάµα.



Τηρήστε τις σχετικές οδηγίες αποτροπής ατυχήµατος που εκδίδονται από τις σχετικές εµπορικές ενώσεις και από τις ασφαλιστικές εταιρίες. Μην εκτελέσετε καµιά τροποποίηση στη συσκευή επειδή αυτό θα θέσει σε κίνδυνο την ασφάλειά σας.

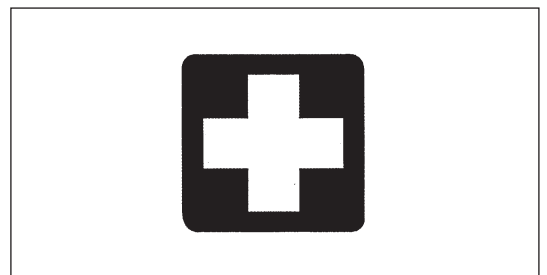
Η εκτέλεση των εργασιών συντήρησης και επισκευής από το χρήστη περιορίζονται στις δραστηριότητες που περιγράφονται στο εγχειρίδιο οδηγιών. Όλες οι άλλες εργασίες πρέπει να γίνονται από ένα εξουσιοδοτηµένο αντιπρόσωπο του σέρβις. Χρησιμοποιήστε µόνο τα αυθεντικά ανταλλακτικά και αξεσουάρ που διατίθενται και παρέχονται από τη MAKITA.

Η χρήση µη εγκεκριµένων εξαρτηµάτων και εργαλείων συνεπάγεται τον αυξηµένο κίνδυνο ατυχηµάτων.

Η MAKITA δεν θα δεχθεί την οποιαδήποτε ευθύνη για ατυχήµατα ή φθορά που προκλήθηκε από τη χρήση µη εγκεκριµένων κοπτικών εργαλείων και συσκευών στερέωσης των κοπτικών εργαλείων ή αξεσουάρ.

Πρώτες βοήθειες

Για την περίπτωση ατυχήµατος, φροντίστε να υπάρχει διαθέσιµο ένα κουτί πρώτων βοηθειών στην περιοχή όπου εκτελούνται οι εργασίες κοπής. Αντικαταστήστε αµέσως το οποιοδήποτε αντικείµενο που πάρηκε από το κουτί των πρώτων βοηθειών.



Όταν ζητάτε βοήθεια, παρακαλώ παράσχετε τις ακόλουθες πληροφορίες:

- Τόπος του ατυχήµατος
- Τι συνέβη
- Αριθµός τραυματισµένων ατόµων
- Είδος των τραυµάτων
- Το όνοµά σας

Για τις ευρωπαϊκές χώρες µόνο

ΕΚ – Δήλωση συµµόρφωσης

Η Εταιρία Makita ως υπεύθυνος κατασκευαστής, δηλώνει ότι το παρακάτω µηχάνηµα(-τα) της Makita:

Όνοµασία µηχανήµατος: Βενζινοκίνητο θαµνοκοπτικό
Αρ. Μοντέλου/ Τύπος: EM4351UH, EM4350UH, EM4350LH
Προδιαγραφές: δείτε τον πίνακα µε τα "ΤΕΧΝΙΚΑ ΔΕΔΟΜΕΝΑ"

αποτελούν παραγωγή σε σειρά και

Συµμορφώνονται µε τις ακόλουθες Ευρωπαϊκές Οδηγίες:

2000/14/EK, 2006/42/EK

Και κατασκευάζονται σύµφωνα µε τα παρακάτω πρότυπα ή τυποποιηµένα έγγραφα:

EN ISO 11806-1

Ο εξουσιοδοτηµένος µας αντιπρόσωπος στην Ευρώπη διατηρεί τα τεχνικά έγγραφα, ο οποίος είναι:

Makita International Europe Ltd.,
Michigan Drive, Tongwell, Milton Keynes, Bucks MK15 8JD, England

Η διαδικασία εκτίµησης συµµόρφωσης που απαιτείται από την Οδηγία 2000/14/EK εκτελέστηκε σύµφωνα µε το Παράρτηµα V.

EM4351UH:

Μετρηµένο Επίπεδο Ηχητικής Ισχύος: 111,9 dB

Εγγυηµένο Επίπεδο Ηχητικής Ισχύος: 113 dB

EM4350UH:

Μετρηµένο Επίπεδο Ηχητικής Ισχύος: 112,1 dB

Εγγυηµένο Επίπεδο Ηχητικής Ισχύος: 113 dB

EM4350LH:

Μετρηµένο Επίπεδο Ηχητικής Ισχύος: 110,7 dB

Εγγυηµένο Επίπεδο Ηχητικής Ισχύος: 112 dB

8. 9. 2011

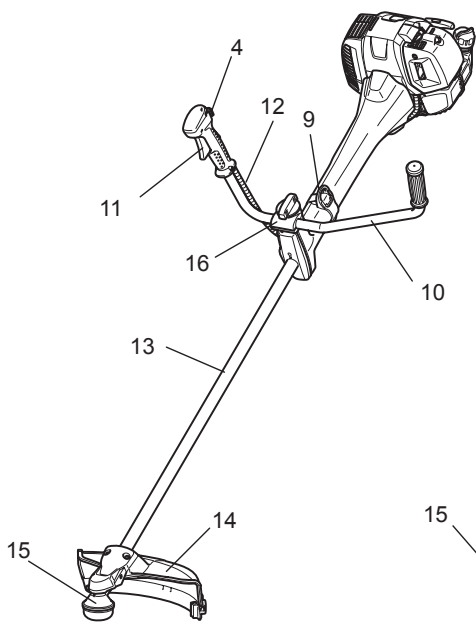
Tomoyasu Kato
Διευθυντής
Makita Corporation
3-11-8, Sumiyoshi-cho,
Anjo, Aichi, JAPAN

ΤΕΧΝΙΚΑ ΔΕΔΟΜΕΝΑ EM4351UH, EM4350UH, EM4350LH

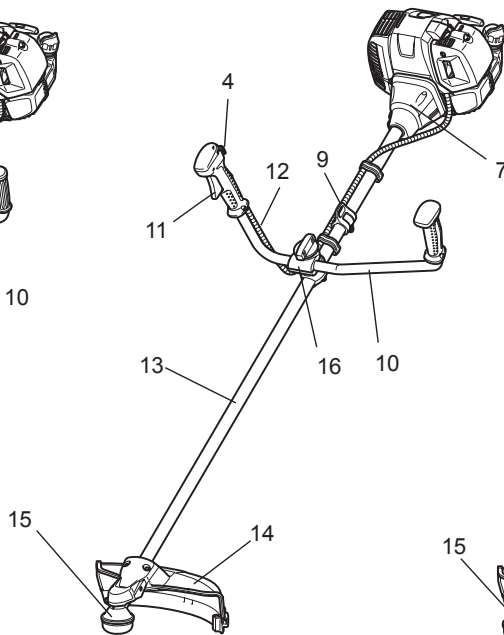
Μοντέλο			EM4351UH		EM4350UH		EM4350LH			
Τύπος χερουλιού			Χερούλι ποδηλάτου		Χερούλι ποδηλάτου		Χερούλι σε σχήμα βρόγχου			
Διαστάσεις: μήκος x πλάτος x ύψος (χωρίς το κοπτικό εργαλείο)			mm	1.812 x 618 x 528	1.812 x 635 x 460	1.812 x 339 x 250				
Βάρος (χωρίς πλαστικό προφυλακτήρα και κοπτικό εργαλείο)			kg	8,6	8,3	7,9				
Όγκος (ρεζερβουάρ καυσίμου)			L	0,6						
Όγκος (ρεζερβουάρ λαδιού)			L	0,1						
Εκτόπισμα κινητήρα			cm ³	43,0						
Μέγιστη απόδοση κινητήρα			kW	1,5 στα 7.500 min ⁻¹						
Ταχύτητα κινητήρα στη συνιστώμενη μέγιστη ταχύτητα του άξονα			min ⁻¹	10.500						
Μέγιστη ταχύτητα του άξονα (αντίστοιχη)			min ⁻¹	7.200						
Ταχύτητα ρελαντί			min ⁻¹	3.000						
Ταχύτητα εμπλοκής συμπλέκτη			min ⁻¹	4.000						
Καρμπιρατέρ			Τύπου διαφράγματος							
Σύστημα ανάφλεξης			Χωρίς επαφή, μαγνητικού τύπου							
Μπουζί			τύπος	NGK CMR6A						
Διάκενο ηλεκτροδίων			mm	0,7 - 0,8						
				ΚΟΠΤΙΚΗ ΛΑΜΑ	ΝΑΪΛΟΝ ΚΟΠΤΙΚΗ ΚΕΦΑΛΗ	ΚΟΠΤΙΚΗ ΛΑΜΑ	ΝΑΪΛΟΝ ΚΟΠΤΙΚΗ ΚΕΦΑΛΗ	ΚΟΠΤΙΚΗ ΛΑΜΑ	ΝΑΪΛΟΝ ΚΟΠΤΙΚΗ ΚΕΦΑΛΗ	
Δόνηση σύμφωνα με το ISO 22867	Δεξιό χερούλι (Πίσω λαβή)	$a_{hv\ eq}$	m/s ²	2,2	2,1	3,1	3,5	4,2	2,6	
		Αβεβαιότητα K	m/s ²	0,5	0,6	0,5	0,8	1,1	0,7	
	Αριστερό χερούλι (Μπροστινή λαβή)	$a_{hv\ eq}$	m/s ²	1,7	2,0	4,8	4,0	3,8	3,7	
		Αβεβαιότητα K	m/s ²	0,5	0,5	2,9	0,9	1,0	1,4	
Στάθμη ηχητικής πίεσης αντιπροσωπευτική του ISO 22868			$L_{PA\ eq}$	dBA	92,4	96,2	91,2	96,1	92,8	94,9
			Αβεβαιότητα K	dBA	1,8	2,0	2,2	1,6	1,6	2,1
Στάθμη ηχητικής ισχύος αντιπροσωπευτική του ISO 22868			$L_{WA\ eq}$	dBA	101,8	108,9	103,1	109,1	103,4	107,7
			Αβεβαιότητα K	dBA	1,8	1,4	1,1	1,1	1,5	1,2
Καύσιμο			Βενζίνη αυτοκινήτου (βενζίνη)							
Λάδι κινητήρα			Λάδι κατηγορίας API κλάσης SF ή υψηλότερης ή λάδι 10W-30 του SAE (λάδι 4-χρονου κινητήρα)							
Κοπτικά εργαλεία (διάμετρος κοπτικής λάμας)			mm	305 (με τρεις λάμες)						
Σχέση μετάδοσης			13/19							

ΚΑΘΟΡΙΣΜΟΣ ΕΞΑΡΤΗΜΑΤΩΝ

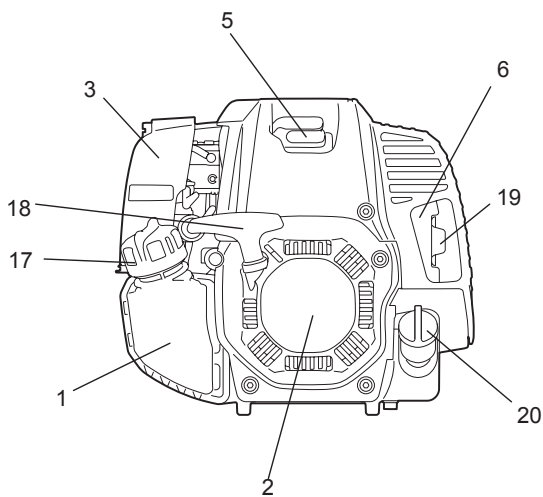
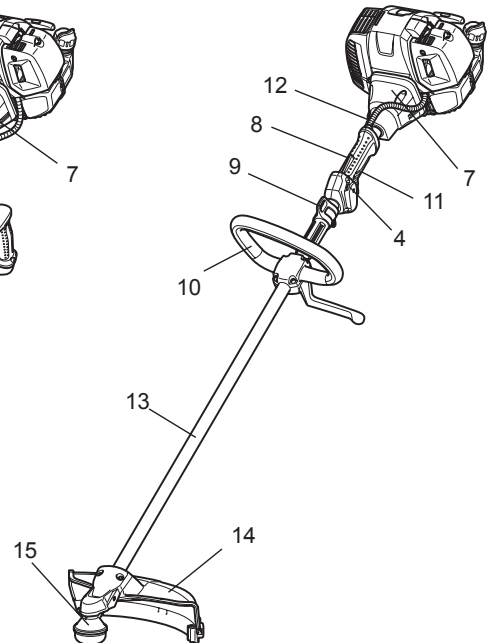
EM4351UH



EM4350UH



EM4350LH



GR	ΚΑΘΟΡΙΣΜΟΣ ΕΞΑΡΤΗΜΑΤΩΝ
1	Ρεζερβουάρ καυσίμου
2	Εκκινητήρας ανατύλιξης
3	Φίλτρο αέρα
4	I-O και διακόπτης κλειδώματος γκαζιού (ανοικτός/κλειστός)
5	Μπουζί
6	Σιγαστήρας εξάτμισης
7	Θήκη συμπλέκτη
8	Πίσω λαβή
9	Αναρτήρας
10	Χερούλι
11	Μοχλός γκαζιού
12	Καλώδιο χειρισμού
13	Άξονας
14	Προφυλακτήρας (Προφυλακτήρας κοπτικού εργαλείου)
15	Κιβώτιο ταχυτήτων/Κιβώτιο κεφαλής
16	Στήριγμα χερουλιού
17	Τάπα ρεζερβουάρ καυσίμου
18	Λαβή εκκινητήρα
19	Σωλήνας εξάτμισης
20	Τάπα λαδιού

ΣΤΕΡΕΩΣΗ ΤΟΥ ΧΕΡΟΥΛΙΟΥ

ΠΡΟΣΟΧΗ: Πριν κάνετε την οποιαδήποτε εργασία πάνω στη συσκευή, πάντοτε να σταματάτε τον κινητήρα και να αποσυνδέετε το σύνδεσμο του μπουζί από το μπουζί.

Να φοράτε πάντα προστατευτικά γάντια!

ΠΡΟΣΟΧΗ: Να ξεκινάτε τον κινητήρα μόνο αφού τον έχετε συναρμολογήσει εντελώς.

Για τα μοντέλα EM4351UH, EM4350UH

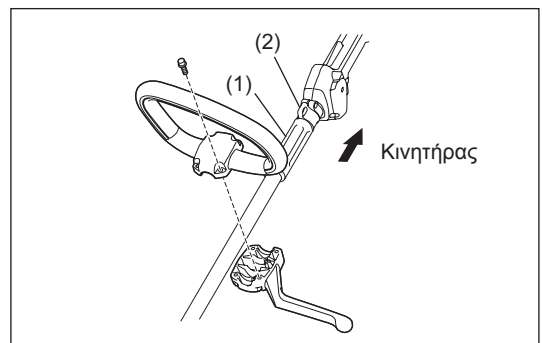
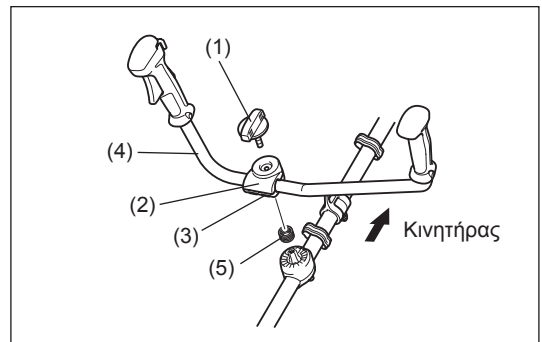
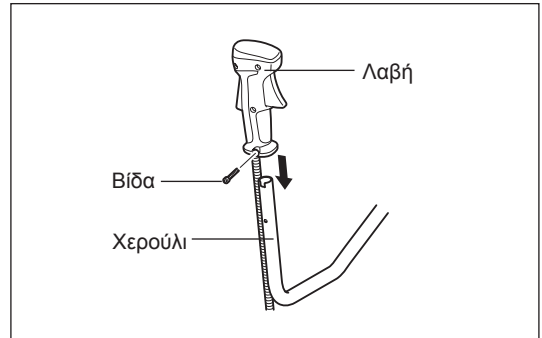
Εισάγετε τον άξονα του χερουλιού μέσα στη λαβή όπως δείχνεται. Ευθυγραμμίστε την τρύπα της βίδας στη λαβή με αυτή του άξονα. Σφίξτε γερά τη βίδα.

- Ξεσφίξτε το κουμπί (1).
- Τοποθετήστε το χερούλι (4) μεταξύ του σφικτήρα του χερουλιού (2) και του στηρίγματος του χερουλιού (3).
- Προσαρμόστε το χερούλι (4) κατά μια γωνία που παρέχει μια βολική θέση εργασίας και στη συνέχεια στερεώστε το καλά σφίγγοντας με το χέρι το κουμπί (1).

ΠΡΟΣΟΧΗ: Μην ξεχάσετε να στερεώσετε το ελατήριο (5).

Για το μοντέλο EM4350LH

- Στερεώστε το χερούλι σχήματος βρόγχου πάνω στον άξονα με τέσσερις βίδες.
- Για να διατηρήσετε τη σωστή απόσταση μεταξύ των λαβών, τοποθετήστε το διαχωριστικό (1) μεταξύ του χερουλιού σχήματος βρόγχου και του αναρτήρα (2).



ΣΤΕΡΕΩΣΗ ΤΟΥ ΠΡΟΦΥΛΑΚΤΗΡΑ

Για εναρμόνιση με τις διατάξεις ασφαλείας, πρέπει να χρησιμοποιηθούν μόνο οι συνδυασμοί εργαλείου/προφυλακτήρα που αναφέρονται στον πίνακα.



Βεβαιωθείτε ότι χρησιμοποιείτε γνήσιες μεταλλικές λάμες (συμπεριλαμβανομένων του πριονόδισκου και της κοπτικής λάμας) ή νάιλον κοπτική κεφαλή της MAKITA.

- Η μεταλλική λάμα πρέπει πάντοτε να είναι καλά γυαλισμένη και χωρίς ρωγμές ή σπασίματα. Εάν η μεταλλική λάμα χτυπήσει μια πέτρα κατά τη λειτουργία, σταματήστε τον κινητήρα και ελέγξτε αμέσως τη λάμα.
- Γυαλίστε ή αντικαταστήστε την μεταλλική λάμα κάθε τρεις ώρες λειτουργίας.
- Εάν η νάιλον κοπτική κεφαλή χτυπήσει μια πέτρα κατά τη λειτουργία, σταματήστε τον κινητήρα και ελέγξτε αμέσως την νάιλον κοπτική κεφαλή.

ΠΡΟΣΟΧΗ: Ο κατάλληλος προφυλακτήρας πρέπει πάντοτε να εγκαθίσταται για την δική σας ασφάλεια και για την συμμόρφωση με τους κανονισμούς πρόληψης ατυχήματος.

Δεν επιτρέπεται η χρήση της συσκευής χωρίς την τοποθέτηση του προφυλακτήρα.

Η εξωτερική διάμετρος της κοπτικής λάμας πρέπει να είναι 300 mm (12") ή μικρότερη. Ποτέ να μην χρησιμοποιήσετε λάμες που υπερβαίνουν τα 300 mm (12") σε εξωτερική διάμετρο.

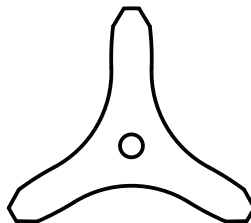
Χρησιμοποιήστε ένα προφυλακτήρα πριονόδισκου 200 mm μόνο όταν χρησιμοποιείτε πριονόδισκο 200 mm.

Χρησιμοποιήστε ένα προφυλακτήρα πριονόδισκου 225 mm μόνο όταν χρησιμοποιείτε πριονόδισκο 225 mm.

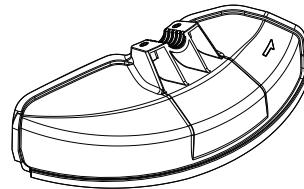
Μην κάνετε χρήση άλλου συνδυασμού όταν χρησιμοποιείτε τον πριονόδισκο.

ΣΗΜΕΙΩΣΗ: Ο πρότυπος συνδυασμός κοπτικών εργαλείων διαφέρει από επαρχία σε επαρχία.

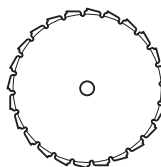
Κοπτική λάμα



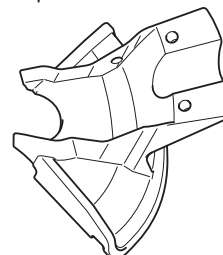
Προφυλακτήρας για μεταλλικές λάμες



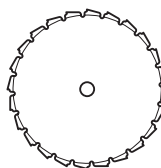
Πριονόδισκος 200 mm



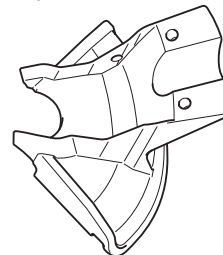
Προφυλακτήρας για τον πριονόδισκο 200 mm



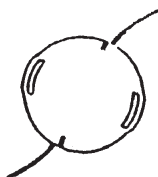
Πριονόδισκος 225 mm



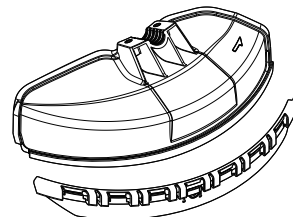
Προφυλακτήρας για τον πριονόδισκο 225 mm



Νάιλον κοπτική κεφαλή

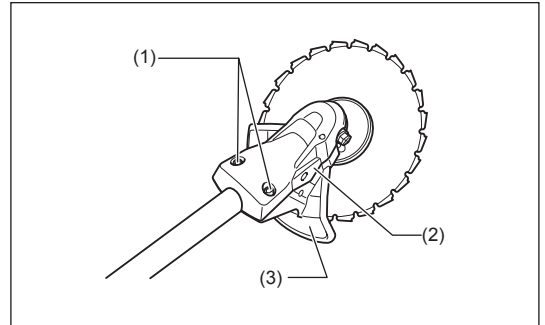
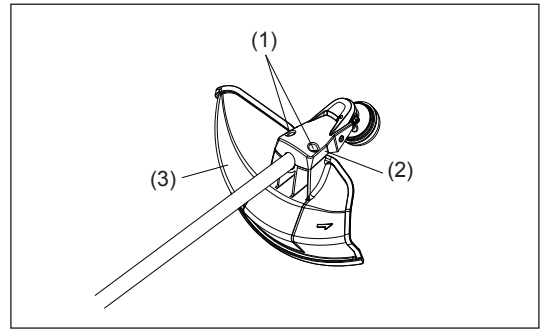


Προφυλακτήρας για νάιλον κοπτική κεφαλή

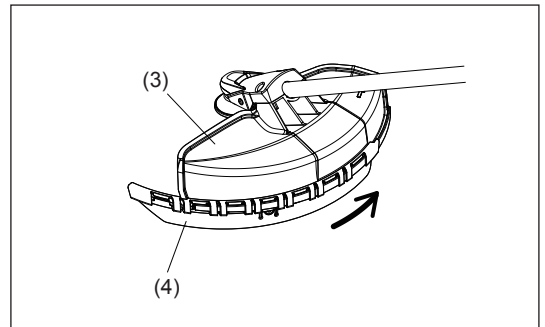


- Κατά τη χρήση της μεταλλικής λάμας, στερεώστε τον προφυλακτήρα (3) στο σφικτήρα (2) με δυο μπουλόνια (1).

ΣΗΜΕΙΩΣΗ: Σφίξτε τα μπουλόνια δεξιά και αριστερά ομοιόμορφα έτσι ώστε το διάκενο μεταξύ του σφικτήρα (2) και του προφυλακτήρα (3) να είναι σταθερό.
 Διαφορετικά, ο προφυλακτήρας μερικές φορές μπορεί να μην λειτουργήσει με τον καθορισμένο τρόπο.

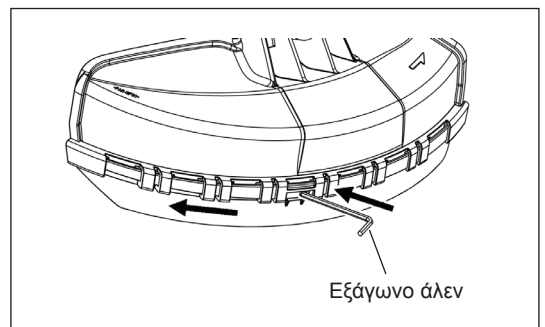


- Στις περιπτώσεις που πρόκειται να χρησιμοποιηθεί ο κόφτης του νάιλον νήματος, φροντίστε να στερεώσετε τον προφυλακτήρα του κόφτη του νάιλον νήματος (4) πάνω στον προφυλακτήρα της μεταλλικής λάμας (3).
- Στερεώστε τον προφυλακτήρα του κόφτη του νάιλον νήματος (4) σπρώχνοντάς τον στη θέση του από την πλευρά του προφυλακτήρα της μεταλλικής λάμας (3) όπως φαίνεται.
- Αφαιρέστε την ταινία που είναι κολλημένη στον κόφτη, η οποία κόβει το νάιλον νήμα, από τον προφυλακτήρα του κόφτη του νάιλον νήματος (4).



ΠΡΟΣΟΧΗ: Βεβαιωθείτε να σπρώξετε προς τα μέσα τον προφυλακτήρα του κόφτη του νάιλον νήματος (4) έως ότου εισχωρήσει πλήρως. Φροντίστε να μην τραυματιστείτε πάνω στον κόφτη κόβοντας το νάιλον νήμα.

- Για να αφαιρέσετε τον προφυλακτήρα του κόφτη του νάιλον νήματος (4), τοποθετήστε ένα εξάγωνο άλεν μέσα στην εγκοπή στο προφυλακτήρα της μεταλλικής λάμας (3), σπρώξτε το μέσα καθώς σύρετε τον προφυλακτήρα του κόφτη του νάιλον νήματος (4).



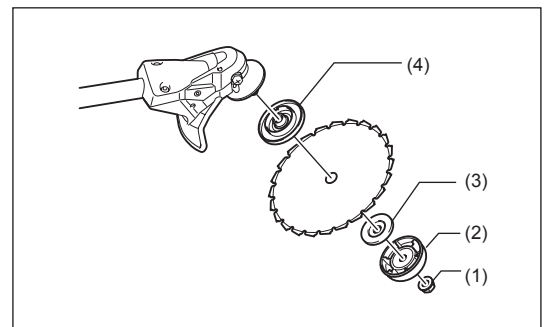
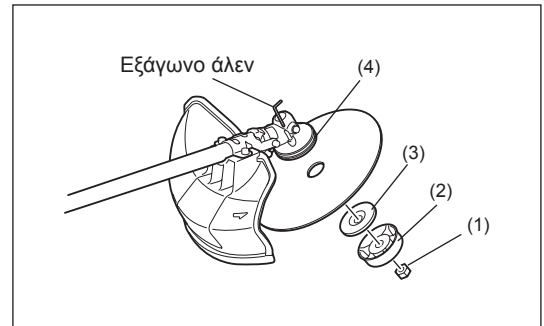
Φροντίστε να χρησιμοποιείτε τις αυθεντικές μεταλλικές λάμες ή τη νάιλον κοπτική κεφαλή της ΜΑΚΙΤΑ.

- Η μεταλλική λάμα πρέπει πάντοτε να είναι καλά γυαλισμένη και χωρίς ρωγμές ή σπασίματα. Εάν η μεταλλική λάμα χτυπήσει μια πέτρα κατά τη λειτουργία, σταματήστε τον κινητήρα και ελέγξτε αμέσως τη λάμα.
- Γυαλίστε ή αντικαταστήστε την μεταλλική λάμα κάθε τρεις ώρες λειτουργίας.
- Εάν η νάιλον κοπτική κεφαλή χτυπήσει μια πέτρα κατά τη λειτουργία, σταματήστε τον κινητήρα και ελέγξτε αμέσως την νάιλον κοπτική κεφαλή.

ΠΡΟΣΟΧΗ: Ο κατάλληλος προφυλακτήρας πρέπει πάντοτε να εγκαθίσταται, για την δική σας ασφάλεια και για την συμμόρφωση με τους κανονισμούς πρόληψης ατυχήματος. Δεν επιτρέπεται η χρήση της συσκευής χωρίς την τοποθέτηση του προφυλακτήρα. Η εξωτερική διάμετρος της κοπτικής λάμας πρέπει να είναι 300 mm (12") ή μικρότερη. Ποτέ να μην χρησιμοποιήσετε λάμες που υπερβαίνουν τα 300 mm (12") σε εξωτερική διάμετρο.

Στρέψτε το μηχάνημα ανάποδα και τότε μπορείτε να αντικαταστήσετε την μεταλλική λάμα ή τη νάιλον κοπτική κεφαλή εύκολα.

- Βάλτε το εξάγωνο άλεν μέσα στην τρύπα στο κιβώτιο των ταχυτήτων και περιστρέψτε τη ροδέλα της μονάδας υποδοχής (4) έως ότου κλειδώσει με το εξάγωνο άλεν.
- Ξεσφίξτε το παξιμάδι (1) (αριστερό σπειρώμα) με το κλειδί άλεν, και αφαιρέστε το παξιμάδι (1), το καπάκι (2) και τη ροδέλα σύσφιξης (3).

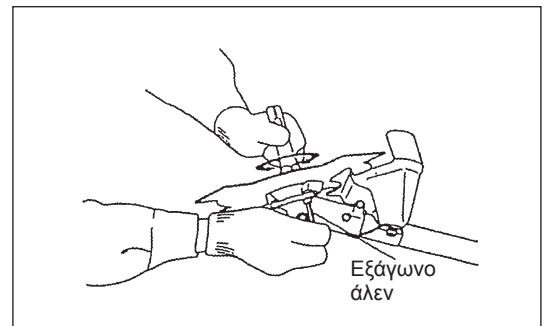


Στερέωση της μεταλλικής λάμας με το εξάγωνο άλεν ακόμη στη θέση του

- Στερεώστε τη μεταλλική λάμα πάνω στον άξονα έτσι ώστε ο οδηγός της ροδέλας της μονάδας υποδοχής (4) να ταιριάζει στην τρύπα του άξονα της μεταλλικής λάμας. Τοποθετήστε τη ροδέλα σύσφιξης (3), το καπάκι (2) και στερεώστε τη μεταλλική λάμα με το παξιμάδι (1). [Ροπή σφίξης: 20 - 30 N-m]

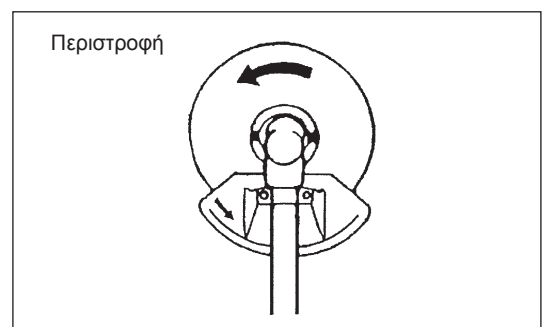
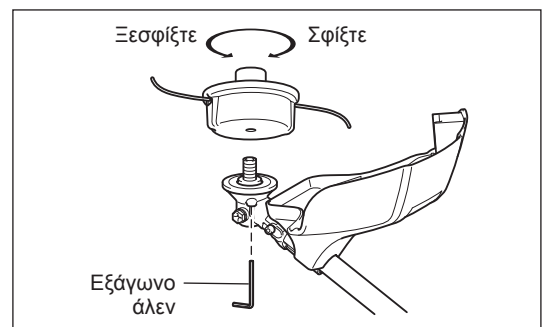
ΣΗΜΕΙΩΣΗ: Πάντοτε να φοράτε γάντια κατά τον χειρισμό της μεταλλικής λάμας.

ΣΗΜΕΙΩΣΗ: Το παξιμάδι στερέωσης της μεταλλικής λάμας (με ελατηριωτή ροδέλα) είναι ένα αναλώσιμο εξάρτημα. Εάν εμφανιστεί η οποιαδήποτε φθορά ή παραμόρφωση στην ελατηριωτή ροδέλα, αντικαταστήστε το παξιμάδι.



Στερέωση της νάιλον κοπτικής κεφαλής

- Η ροδέλα σύσφιξης (3), το καπάκι (2) και το παξιμάδι (1) δεν είναι απαραίτητα για την στερέωση της νάιλον κοπτικής κεφαλής. Η νάιλον κοπτική κεφαλή πρέπει να βρίσκεται στην κορυφή της ροδέλας της μονάδας υποδοχής (4).
- Βάλτε το εξάγωνο άλεν μέσα στην τρύπα στο κιβώτιο των ταχυτήτων και περιστρέψτε τη ροδέλα της μονάδας υποδοχής (4) έως ότου κλειδώσει με το εξάγωνο άλεν.
- Στη συνέχεια βιδώστε την νάιλον κοπτική κεφαλή πάνω στον άξονα περιστρέφοντάς την αριστερόστροφα.
- Αφαιρέστε το εξάγωνο άλεν.



ΠΡΙΝ ΑΠΟ ΤΗΝ ΕΝΑΡΞΗ ΤΗΣ ΛΕΙΤΟΥΡΓΙΑΣ

Έλεγχος και αναπλήρωση του λαδιού του κινητήρα

- Εκτελέστε την παρακάτω διαδικασία, με κρύο τον κινητήρα.
- Φροντίστε ο κινητήρας να βρίσκεται σε επίπεδη οριζόντια επιφάνεια και επιβεβαιώστε ότι η στάθμη του λαδιού βρίσκεται μεταξύ του χαμηλότερου και του υψηλότερου ορίου της ένδειξης λαδιού.
- Εάν η στάθμη του λαδιού είναι κάτω από το χαμηλότερο όριο, αφαιρέστε την τάπα λαδιού και προσθέστε λάδι.
- Η περιοχή που περιβάλλει τις εξωτερικές σημάσεις είναι διαφανής, έτσι ώστε η ποσότητα του λαδιού στο εσωτερικό μπορεί να ελεγχθεί χωρίς να χρειάζεται να αφαιρέσετε την τάπα λαδιού. Όμως εάν ο σωλήνας λαδιού γίνει πάρα πολύ βρώμικος, η ορατότητα μπορεί να χαθεί και τότε η στάθμη του λαδιού θα πρέπει να ελεγχθεί έναντι του κλιμακωτού τμήματος στο εσωτερικό της σωλήνας λαδιού.
- Μπορεί να χρειαστεί να ανεφοδιάζετε με λάδι περίπου κάθε 10 ώρες λειτουργίας (κάθε 10 ανεφοδιασμοί). Εάν αλλάξει το χρώμα του λαδιού ή αναμειχθεί με βρωμιά, αντικαταστήστε το με καινούργιο. (Για το διάστημα και την μέθοδο αντικατάστασης, ανατρέξτε στη Σ 230.)

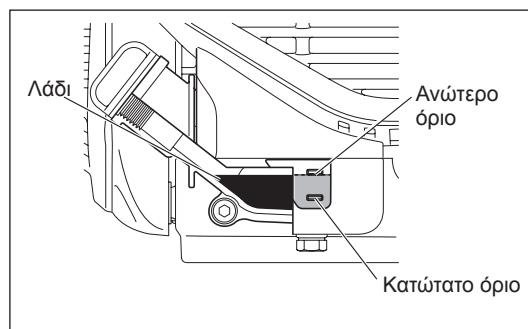
Συνιστώμενο λάδι: SAE 10W-30 λάδι Κατηγορίας API, Κλάση SF ή υψηλότερη (4-χρονος κινητήρας για αυτοκίνητα)

Όγκος λαδιού: Περίπου 0,10L

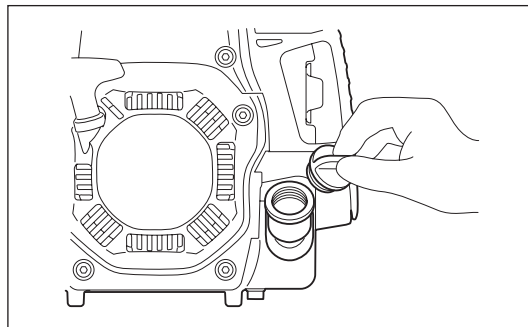
ΣΗΜΕΙΩΣΗ: Εάν ο κινητήρας δεν έχει τοποθετηθεί όπως φαίνεται σε οριζόντια επιφάνεια, ενδέχεται να προκύψει ανακριβής ένδειξη της στάθμης λαδιού και υπάρχει πιθανότητα ανεφοδιασμού. Η πλήρωση λαδιού πάνω από το ανώτερο όριο μπορεί να προκαλέσει τη ρύπανση του λαδιού και/ή λευκό καπνό.

Αντικατάσταση λαδιού: “Τάπα λαδιού”

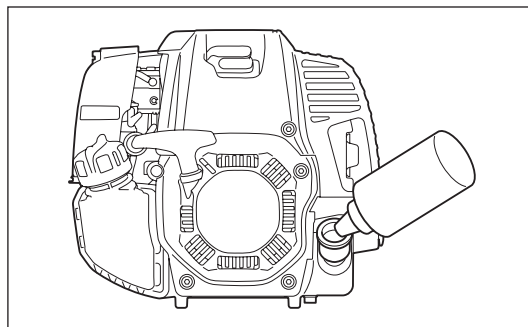
- Αφαιρέστε τη σκόνη ή την βρωμιά κοντά στην τρύπα ανεφοδιασμού του λαδιού, και αποσυνδέστε την τάπα λαδιού.
- Διατηρήστε την τάπα λαδιού που έχετε βγάλει καθαρή από άμμο και σκόνη. Διαφορετικά, η οποιαδήποτε άμμος ή σκόνη κολλήσει στην τάπα λαδιού μπορεί να προκαλέσει την μη φυσιολογική κυκλοφορία του λαδιού ή την φθορά των τμημάτων του κινητήρα, το οποίο θα προκαλέσει προβλήματα.



(1) Διατηρήστε το όριο του κινητήρα και αποσυνδέστε την τάπα λαδιού.



(2) Γεμίστε με λάδι έως την ένδειξη του ανώτερου ορίου. Χρησιμοποιήστε το μπουκάλι λαδιού κατά το γέμισμα.



(3) Σφίξτε καλά την τάπα λαδιού. Το ανεπαρκές σφίξιμο μπορεί να προκαλέσει τη διαρροή λαδιού.

Σημείωση

- Μην αντικαταστήσετε το λάδι έχοντας τον κινητήρα υπό κλίση.
- Το γέμισμα του λαδιού με τον κινητήρα υπό κλίση προσθέτει μια ποσότητα λαδιού μεγαλύτερη από την κανονική που προκαλεί την ρύπανση του λαδιού και/ή τον άσπρο καπνό.

Μετά από τον ανεφοδιασμό λαδιού

- Καθαρίστε τυχόν λάδι που έχει χυθεί αμέσως με ένα πανί.

ΑΝΕΦΟΔΙΑΣΜΟΣ

Χειρισμός καυσίμου

Είναι απαραίτητο να χειρίζεστε το καύσιμο με τη μεγαλύτερη δυνατή προσοχή. Το καύσιμο μπορεί να περιέχει ουσίες όμοιες με τους διαλύτες. Ο ανεφοδιασμός πρέπει να γίνεται σε ένα επαρκώς αεριζόμενο δωμάτιο ή σε ένα ανοικτό χώρο. Ποτέ να μην εισπνέετε τους ατμούς του καυσίμου και κρατήστε μακριά σας το καύσιμο. Εάν αγγίξετε το καύσιμο επαναλαμβανόμενα για μακρό χρονικό διάστημα το δέρμα γίνεται ξηρό, και μπορεί να προκαλέσει ασθένεια του δέρματος ή αλλεργία. Εάν το καύσιμο μπει στο μάτι καθαρίστε το με καθαρό νερό. Εάν το μάτι σας παραμείνει ερεθισμένο, συμβουλευτείτε το γιατρό σας.

Χρονική περίοδος αποθήκευσης του καυσίμου

Το καύσιμο πρέπει να χρησιμοποιείται μέσα σε μια περίοδο 4 εβδομάδων, ακόμη και αν είναι φυλαγμένο σε ειδικό δοχείο σε μια καλά αεριζόμενη σκιερή περιοχή.

Διαφορετικά, το καύσιμο μπορεί να αλλοιωθεί σε μια μέρα.

ΑΠΟΘΗΚΕΥΣΗ ΤΟΥ ΜΗΧΑΝΗΜΑΤΟΣ ΚΑΙ ΤΟΥ ΔΟΧΕΙΟΥ ΑΝΕΦΟΔΙΑΣΜΟΥ

- Φυλάξτε το μηχάνημα και το δοχείο σε ένα ψυχρό χώρο μακριά από το απευθείας ηλιακό φως.
- Ποτέ να μην τοποθετείτε το καύσιμο σε ένα αμάξι.

Καύσιμο

Ο κινητήρας είναι ένας τετράχρονος κινητήρας. Φροντίστε να χρησιμοποιήσετε βενζίνη αυτοκινήτου 87 οκτανίων ή περισσότερων ((R+M)/2). Δεν πρέπει να περιέχει περισσότερο από 10% αλκοόλη (E-10).

Σημειώσεις για το καύσιμο

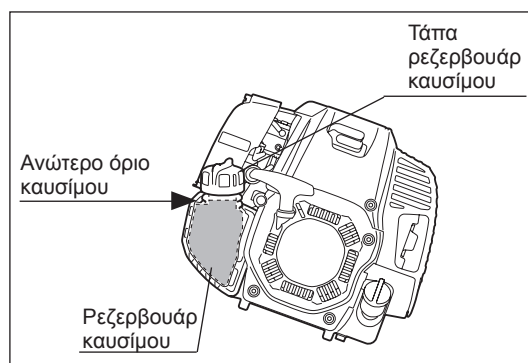
- Ποτέ να μην χρησιμοποιήσετε ένα μείγμα βενζίνης που περιέχει λάδι μηχανής. Διαφορετικά, θα προκληθεί υπερβολική συσσώρευση άνθρακα ή μηχανικά προβλήματα.
- Η χρήση αλλοιωμένου λαδιού θα προκαλέσει τη μη φυσιολογική εκκίνηση.

Ανεφοδιασμός

ΠΡΟΕΙΔΟΠΟΙΗΣΗ: Σβήστε τον κινητήρα πριν τον ανεφοδιασμό με καύσιμα, να είστε μακριά από τις γυμνές φλόγες και να μην καπνίζετε.

- Ξεσφίξτε λίγο την τάπα του ρεζερβουάρ για να εκτονωθεί η πίεση του ρεζερβουάρ.
- Αποσπάστε το καπάκι του ρεζερβουάρ, και ανεφοδιάστε, εκτονώνοντας τον αέρα γέρνοντας το ρεζερβουάρ καυσίμου έτσι ώστε η τρύπα ανεφοδιασμού να βλέπει προς τα πάνω. ΜΗΝ γεμίσετε με καύσιμο έως το χείλος του ρεζερβουάρ.
- Σκουπίστε καλά το εξωτερικό της τάπας του ρεζερβουάρ για να αποτρέψετε στα ξένα σώματα να μπουν μέσα στο ρεζερβουάρ καυσίμου.
- Μετά τον ανεφοδιασμό, σφίξτε καλά την τάπα του ρεζερβουάρ.

- Εάν υπάρχει κάποια ανωμαλία ή ζημιά στην τάπα του ρεζερβουάρ, αντικαταστήστε τη.
- Η τάπα του ρεζερβουάρ φθείρεται με το πέρασμα του χρόνου. Αντικαταστήστε τη κάθε δυο ή τρία χρόνια.
- ΜΗΝ ρίξετε καύσιμο στην τρύπα πλήρωσης λαδιού.



ΣΩΣΤΟΣ ΧΕΙΡΙΣΜΟΣ ΤΟΥ ΜΗΧΑΝΗΜΑΤΟΣ

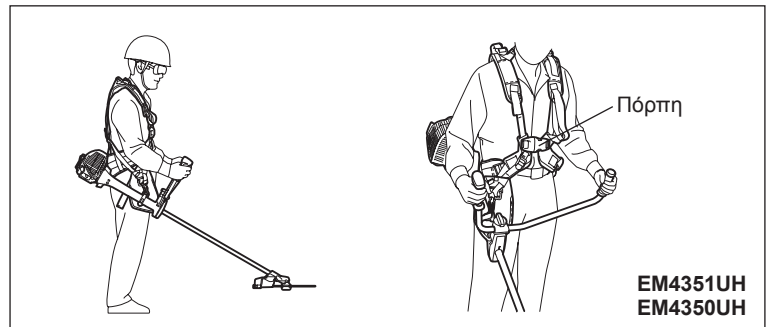
Τοποθέτηση του ιμάντα ώμου

- Προσαρμόστε το μήκος του ιμάντα έτσι ώστε η μεταλλική λάμα να είναι παράλληλη με το έδαφος.

Για EM4351UH, EM4350UH

Στηρίξτε τους ιμάντες στην πλάτη σας, στερεώστε τους με την πόρπη και ρυθμίστε το μήκος των λωρίδων.

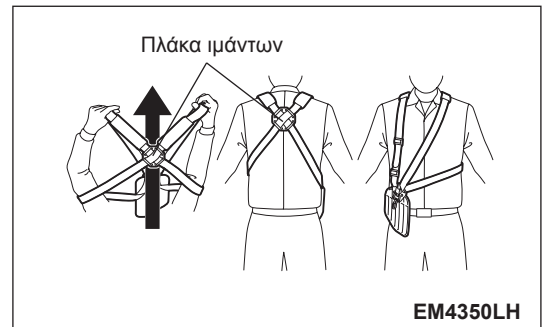
ΣΗΜΕΙΩΣΗ: Προσέξτε να μην παγιδεύσετε μέσα στην πόρπη κάποιο ιματισμό κτλ.



EM4351UH
EM4350UH

Για EM4350LH

- 1) Σταθείτε με τη πλάκα των ιμάντων όσο πιο κοντά σε σας. Και περάστε τα χέρια και το κεφάλι μέσα από τους ιμάντες.
- 2) Η πλάκα των ιμάντων ακουμπά τη πλάτη σας και οι προσαρμογείς και ο γάντζος βρίσκονται στη δεξιά πλευρά του σώματός σας όταν έχετε φορέσει κατάλληλα τους ιμάντες.



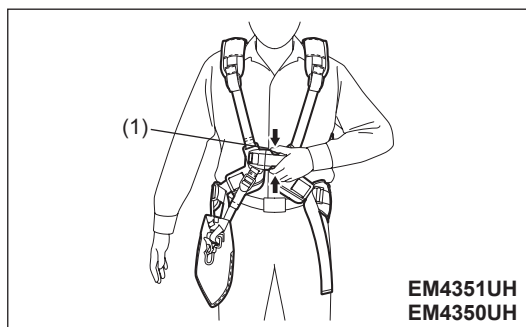
EM4350LH

Απασφάλιση του μηχανήματος

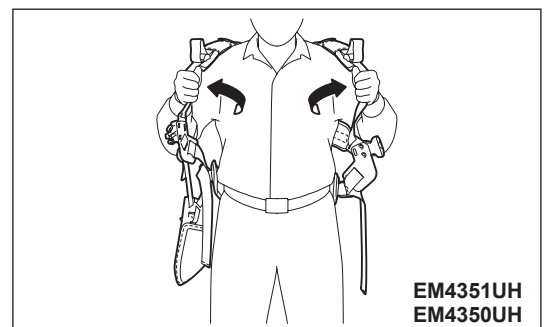
Για EM4351UH, EM4350UH

- Για να απασφαλίσετε το μηχάνημα, πιέστε τις πλευρές της πόρπης (1) και βγάλτε τον ιμάντα ώμου. Τη στιγμή αυτή δώστε μεγάλη προσοχή για να διατηρήσετε τον έλεγχο του μηχανήματος. Μην επιτρέψετε στο μηχάνημα να εκτραπεί προς τα εσάς ή προς τον οποιονδήποτε στην περιοχή εργασίας.

ΠΡΟΕΙΔΟΠΟΙΗΣΗ: Αν δεν διατηρήσετε τον πλήρη έλεγχο του μηχανήματος μπορεί να προκληθεί σοβαρός σωματικός τραυματισμός ή ΘΑΝΑΤΟΣ.



EM4351UH
EM4350UH

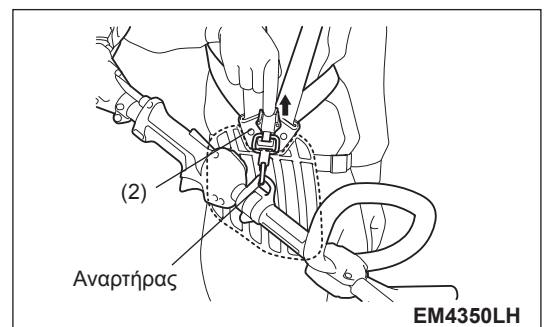


EM4351UH
EM4350UH

Για EM4350LH

- Για να απασφαλίσετε το μηχάνημα, ελευθερώστε το μοχλό αποσύνδεσης εκτάκτου ανάγκης (2) τραβώντας δυνατά με τα δάκτυλά σας. Τη στιγμή αυτή δώστε μεγάλη προσοχή για να διατηρήσετε τον έλεγχο του μηχανήματος. Μην επιτρέψετε στο μηχάνημα να εκτραπεί προς τα εσάς ή προς τον οποιονδήποτε στην περιοχή εργασίας.

ΠΡΟΕΙΔΟΠΟΙΗΣΗ: Αν δεν διατηρήσετε τον πλήρη έλεγχο του μηχανήματος μπορεί να προκληθεί σοβαρός σωματικός τραυματισμός ή ΘΑΝΑΤΟΣ.



Αναρτήρας

EM4350LH

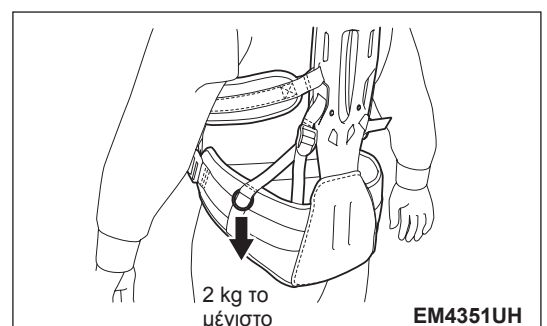
Δακτύλιος ανάρτησης

Για EM4351UH

- Μπορείτε να χρησιμοποιήσετε το δακτύλιο για να κρεμάσετε ένα αντικείμενο βάρους μικρότερου των 2 kg (4,4 lbs).

ΕΙΔΟΠΟΙΗΣΗ: Μην κρεμάσετε πάνω στο δακτύλιο οτιδήποτε ζυγίζει περισσότερο από 2 kg (4,4 lbs). Οτιδήποτε βαρύτερο πάνω στο δακτύλιο μπορεί να προκαλέσει την αστοχία του και τη βλάβη του αντικειμένου.

ΠΡΟΣΟΧΗ: Μην κρεμάτε πάνω στο δακτύλιο οτιδήποτε μπορεί να μπλεχτεί με θάμνους ή βάλτους. Το μπλέξιμο μπορεί να προκαλέσει έλλειψη ισορροπίας και ελέγχου που καταλήγει σε προσωπικό τραυματισμό.



2 kg το μέγιστο

EM4351UH

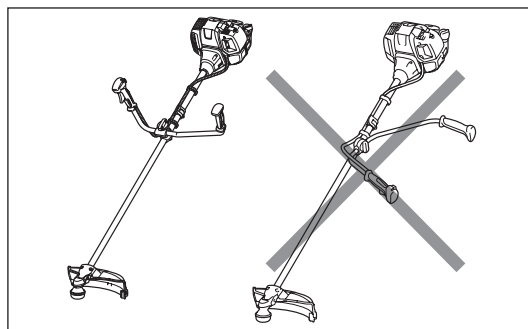
ΣΗΜΕΙΑ ΧΕΙΡΙΣΜΟΥ ΚΑΙ ΤΡΟΠΟΣ ΣΤΑΜΑΤΗΜΑΤΟΣ

Να τηρείτε τους ισχύοντες κανονισμούς πρόληψης ατυχημάτων!



Πριν ξεκινήσετε τον κινητήρα, πάντοτε να τοποθετείτε το χερούλι στη σωστή θέση.

Αλλιώς το κοπτικό εργαλείο μπορεί να στραφεί ξαφνικά και να προκαλέσει τραυματισμό, επειδή το καλώδιο μπορεί να έχει τραβηχτεί ή να είναι λυγισμένο, και να ανοίξει το γκάζι.

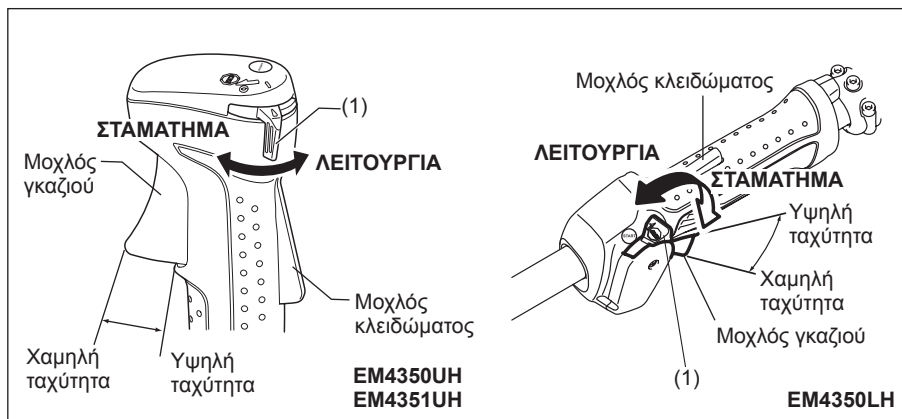


ΞΕΚΙΝΗΜΑ

Μετακινηθείτε τουλάχιστον 3 μέτρα μακριά από το σημείο ανεφοδιασμού με καύσιμο. Τοποθετήστε τη συσκευή στο έδαφος προσέχοντας ώστε το κοπτικό εργαλείο να μην έρχεται σε επαφή με το έδαφος ή με άλλα αντικείμενα.

A: Εκκίνηση εν ψυχρώ

- 1) Τοποθετήστε αυτό το μηχανήμα σε μια επίπεδη επιφάνεια.
- 2) Τοποθετήστε το διακόπτη I-O (1) στη θέση ΛΕΙΤΟΥΡΓΙΑ.



- 3) Μοχλός τσοκ

Κλείστε το μοχλό του τσοκ.

Άνοιγμα του τσοκ:

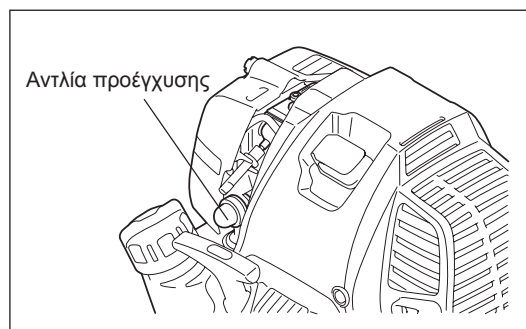
- Πλήρως κλειστό στις ψυχρές θερμοκρασίες ή όταν ο κινητήρας είναι ψυχρός.
- Πλήρως ανοικτός ή μισάνοικτος, εάν ο κινητήρας είναι λίγο ζεστός, όπως κατά την επανεκκίνηση του κινητήρα αμέσως μετά από σταμάτημα κατά τη διάρκεια της προθέρμανσης.



- 4) Αντλία προέγχυσης

Συνεχίστε να σπρώχνετε την αντλία προέγχυσης έως ότου το καύσιμο να εισέλθει μέσα στην αντλία προέγχυσης. (Γενικά, 7 έως 10 ωθήσεις.)

Εάν η αντλία προέγχυσης σπρωχτεί υπερβολικά, η περίσσεια ποσότητα βενζίνης επιστρέφει στο ρεζερβουάρ καυσίμου.



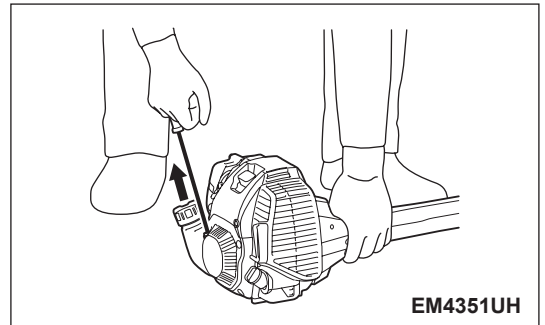
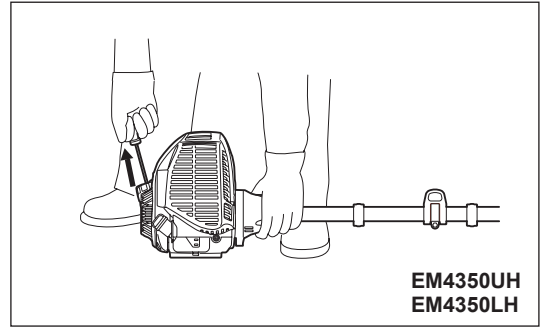
5) Εκκινήτριας ανατύλιξης

Να βεβαιώνετε πάντοτε ότι στέκεστε σταθερά.
Κρατήστε τη μονάδα με το αριστερό σας χέρι και πιέστε τη σταθερά προς τα κάτω.

ΠΡΟΣΟΧΗ: Μην στέκεστε ή γονατίζετε επάνω στο καλώδιο του γκαζιού. Το εσωτερικό καλώδιο μπορεί να τραβηχτεί και το κοπτικό εργαλείο μπορεί να αρχίσει να περιστρέφεται κατά λάθος.
Μην ενεργοποιήσετε το γκάτζι.

Τραβήξτε τη λαβή εκκινήτριας με προσοχή μέχρι να αισθανθείτε κάποια αντίσταση. Στη συνέχεια επιστρέψτε τη λαβή εκκινήτριας, και τραβήξτε την δυνατά.

Ποτέ να μην τραβήξετε το σχοινί μέχρι τέρμα. Όταν τραβηχτεί η λαβή εκκινήτριας, ποτέ να μην ελευθερώσετε το χέρι σας αμέσως. Κρατήστε τη λαβή εκκινήτριας έως ότου να επιστρέψει στο αρχικό της σημείο.



6) Μοχλός τσοκ

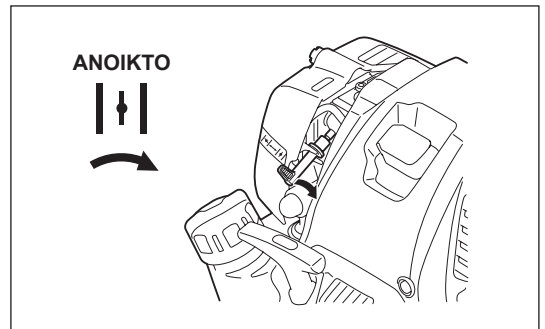
Όταν ξεκινήσει ο κινητήρας, τοποθετήστε τον μοχλό του τσοκ στην ΑΝΟΙΚΤΗ θέση.

- Ανοίξτε προοδευτικά τον μοχλό του τσοκ καθώς ελέγχετε τη λειτουργία του κινητήρα. Φροντίστε να ανοίξετε πλήρως το μοχλό του τσοκ στο τέλος.
- Στο κρύο ή όταν ο κινητήρας είναι κρύος, ποτέ να μην ανοίξετε απότομα το μοχλό του τσοκ. Διαφορετικά, ο κινητήρας μπορεί να σταματήσει.

7) Λειτουργία προθέρμανσης

Συνεχίστε τη λειτουργία προθέρμανσης για 2 έως 3 λεπτά.

ΕΙΔΟΠΟΙΗΣΗ: Μην τραβάτε το μοχλό του γκαζιού άσκοπα όταν δεν λειτουργεί ο κινητήρας. Μπορεί να προκληθεί διαρροή καυσίμου από το φίλτρο αέρα. Εάν αυτό συμβεί, σκουπίστε καύσιμο που διέρρευσε. Επίσης, ανοίξτε το κάλυμμα του φίλτρου αέρα και καθαρίστε το στοιχείο και την πλάκα του φίλτρου αέρα.



ΣΗΜΕΙΩΣΗ:

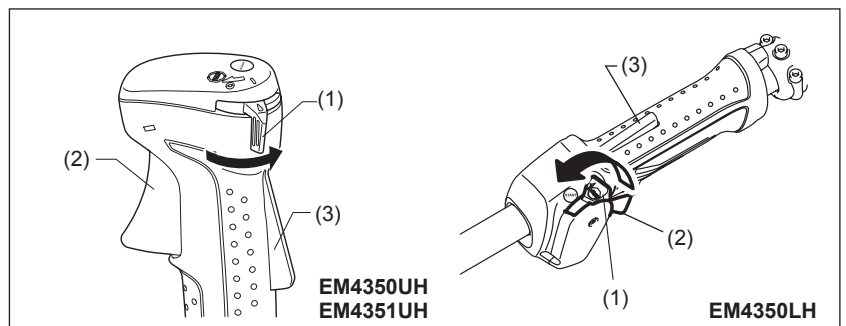
- Μην τραβάτε το μοχλό του γκαζιού άσκοπα όταν δεν λειτουργεί ο κινητήρας. Αυτό μπορεί να προκαλέσει υπερπλήρωση του κινητήρα με καύσιμο και μπορεί να προκαλέσει τη δυσκολία εκκίνησης του κινητήρα.
- Εάν εισέλθει υπερβολική ποσότητα καυσίμου (μπουκώμα), αφαιρέστε το μπουζί και τραβήξτε το χερούλι του εκκινήτριας αργά για να αφαιρέσετε το υπερβολικό καύσιμο. Επίσης, στεγνώστε το τμήμα του ηλεκτροδίου του μπουζιού.
- Εάν ο κινητήρας λειτουργήσει και σταματήσει, ή σταματήσει σύντομα μετά από την εκκίνησή του, στρέψτε το μοχλό του τσοκ στη θέση ΑΝΟΙΚΤΟ, και τραβήξτε μερικές φορές πάλι τη λαβή εκκινήτριας για να ξεκινήσετε τον κινητήρα.
- Αν ο μοχλός του τσοκ παραμείνει στη ΚΛΕΙΣΤΗ θέση και η λαβή εκκινήτριας απλά τραβηχτεί επαναλαμβανόμενα, θα εισέλθει παραπάνω ποσότητα καυσίμου και ο κινητήρας θα είναι δύσκολο να ξεκινήσει.
- Μην μαρσάρετε άσκοπα τον κινητήρα στη λειτουργία προθέρμανσης.

Β: Θερμή εκκίνηση

- 1) Διατηρήστε το μοχλό του τσοκ στην πλήρως ανοικτή θέση.
- 2) Σπρώξτε επαναλαμβανόμενα την αντλία προέγχυσης.
- 3) Κρατήστε τον μοχλό του γκαζιού στη θέση του ρελαντί.
- 4) Τραβήξτε γερά τον εκκινήτριας ανατύλιξης.
- 5) Αν είναι δύσκολη η εκκίνηση του κινητήρα, απελευθερώστε το μοχλό κλειδώματος (3), τραβήξτε το μοχλό γκαζιού (2) και μετακινήστε το διακόπτη I-O (1) στη θέση κλειδώματος του γκαζιού. Κρατώντας το διακόπτη I-O (1), αφήστε το μοχλό γκαζιού (2) και το μοχλό κλειδώματος (3). Στη συνέχεια, τραβήξτε τη λαβή εκκινήτριας.

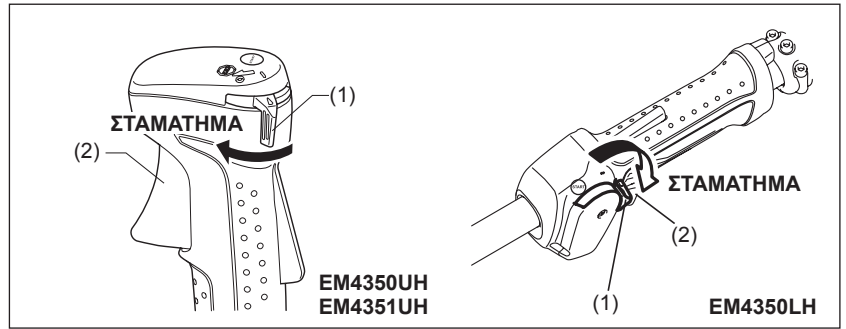
ΠΡΟΕΙΔΟΠΟΙΗΣΗ: Προσέξτε ότι το κοπτικό εργαλείο περιστρέφεται αμέσως.

- 6) Μόλις ξεκινήσει ο κινητήρας, απελευθερώστε το μοχλό κλειδώματος (3) και τραβήξτε το μοχλό του γκαζιού (2) και αφήστε τους για να τεθεί ο κινητήρας στο ρελαντί.



ΣΤΑΜΑΤΗΜΑ

- 1) Αφήστε εντελώς το μοχλό του γκαζιού (2), και αφού οι στροφές του κινητήρα χαμηλώσουν, ρυθμίστε το διακόπτη I-O (1) στη θέση ΣΤΑΣΗΣ (STOP) και ο κινητήρας τώρα θα σταματήσει.
- 2) Το κοπτικό εργαλείο θα συνεχίσει να περιστρέφεται για λίγο αφού σταματήσει ο κινητήρας. Περιμένετε μέχρι να σταματήσει εντελώς.

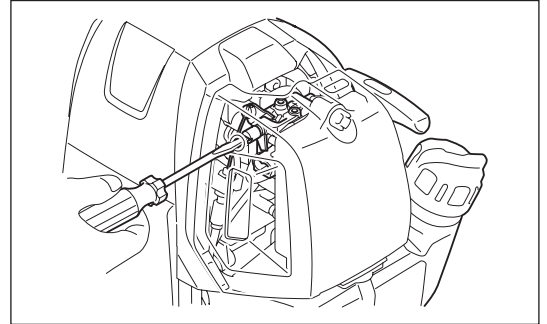


ΡΥΘΜΙΣΗ ΤΗΣ ΧΑΜΗΛΗΣ ΠΕΡΙΣΤΡΟΦΙΚΗΣ ΤΑΧΥΤΗΤΑΣ (ΡΕΛΑΝΤΙ)

Όταν είναι απαραίτητο να ρυθμίσετε την περιστροφή χαμηλής ταχύτητας (ρελαντί), εκτελέστε την από τη βίδα ρύθμισης του ρελαντί.

ΕΛΕΓΧΟΣ ΤΗΣ ΤΑΧΥΤΗΤΑΣ ΡΕΛΑΝΤΙ

- Ρυθμίστε την χαμηλή περιστροφική ταχύτητα (ρελαντί) στις 3.000 min⁻¹. Εάν είναι απαραίτητο να αλλάξετε την χαμηλή περιστροφική ταχύτητα (ρελαντί), χρησιμοποιήστε ένα κατσαβίδι για βίδες κεφαλής phillips πάνω στη βίδα που δείχνεται στα δεξιά.
- Για να αυξήσετε την χαμηλή περιστροφική ταχύτητα (ρελαντί), στρίψτε δεξιόστροφα τη ρυθμιστική βίδα. Για να μειώσετε την χαμηλή περιστροφική ταχύτητα (ρελαντί), στρίψτε αριστερόστροφα τη ρυθμιστική βίδα.
- Η ρύθμιση του καρμπυρατέρ έχει γίνει στο εργοστάσιο. Ωστόσο, η χαμηλή περιστροφική ταχύτητα χρειάζεται να επαναρυθμιστεί μετά από αρκετές χρήσεις.

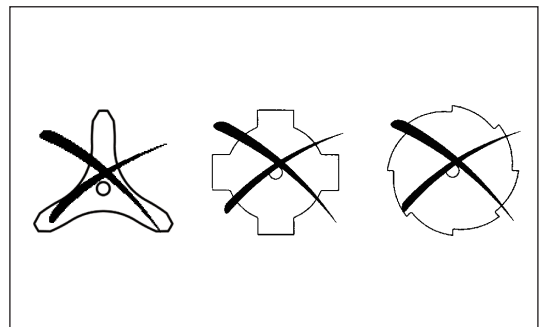


ΑΚΟΝΙΣΜΑ ΤΟΥ ΚΟΠΤΙΚΟΥ ΕΡΓΑΛΕΙΟΥ



ΠΡΟΣΟΧΗ: Τα κοπτικά εργαλεία που φαίνονται στην εικόνα δεν πρέπει να ακονίζονται. Το ακόνισμα με το χέρι θα προκαλέσει ανισορροπίες στο κοπτικό εργαλείο, οι οποίες θα προκαλέσουν δονήσεις και ζημιά στη συσκευή.

ΣΗΜΕΙΩΣΗ: Για να αυξηθεί η διάρκεια ζωής της κοπτικής λάμας μπορεί να αναποδογυριστεί μια φορά, έως ότου να αμβλύνουν και τα δυο κοπτικά άκρα.



ΝΑΙΛΟΝ ΚΟΠΤΙΚΗ ΚΕΦΑΛΗ

Η νάιλον κοπτική κεφαλή είναι μια κεφαλή κοπής διπλής μεσηνέζας με μηχανισμούς πρόσκρουσης & τροφοδοσίας. Η νάιλον κοπτική κεφαλή θα τροφοδοτήσει αυτόματα το κατάλληλο μήκος του νάιλον νήματος ανάλογα με τις αλλαγές της φυγόκεντρου δύναμης που προκαλείται από τις αυξανόμενες ή ελαττούμενες περιστροφές.

Λειτουργία

- Αυξήστε την ταχύτητα της νάιλον κοπτικής κεφαλής περίπου στις 6.000 min⁻¹. Κτυπήστε ελαφρά τη νάιλον κοπτική κεφαλή στο έδαφος.
- Η πιο αποτελεσματική περιοχή κοπής δείχνεται από τη σκιασμένη περιοχή.
- Εάν το νάιλον νήμα δεν τροφοδοτείται, επανατυλίξτε/αντικαταστήστε το νάιλον νήμα ακολουθώντας τις διαδικασίες που περιγράφονται στην ενότητα "Αντικατάσταση του νάιλον νήματος".



Αντικατάσταση του νάιλον νήματος (ΠΡΟΣΚΡΟΥΣΗ & ΤΡΟΦΟΔΟΣΙΑ)

ΠΡΟΕΙΔΟΠΟΙΗΣΗ: Φροντίστε ώστε το κάλυμμα της νάιλον κοπτικής κεφαλής να είναι στερεωμένο κατάλληλα στη θήκη όπως περιγράφεται παρακάτω. Αν δεν ασφαλίσετε κατάλληλα το κάλυμμα, μπορεί να προκληθεί η εκτόξευση της νάιλον κοπτικής κεφαλής προκαλώντας το σοβαρό προσωπικό τραυματισμό.

Πιέστε τις εγκοπές στη θήκη προς τα μέσα και ανυψώστε για να αφαιρέσετε το κάλυμμα.

Απορρίψτε την οποιαδήποτε νάιλον μεσηνέζα που έχει απομείνει.

Αγκιστρώστε το κέντρο του καινούργιου νάιλον νήματος στην εγκοπή στο κέντρο του μασουριού ανάμεσα στα 2 κανάλια που παρέχονται για το νάιλον νήμα. Η μια πλευρά του νήματος πρέπει να είναι 80 mm μακρύτερη από την άλλη πλευρά.

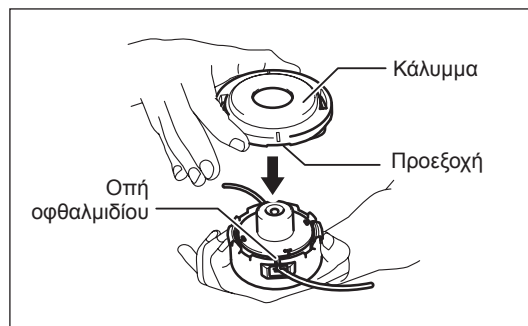
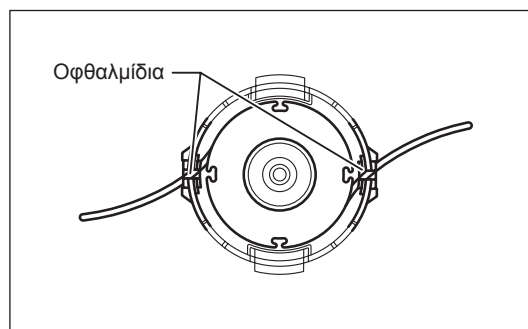
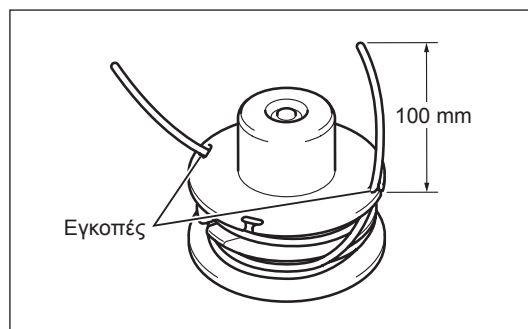
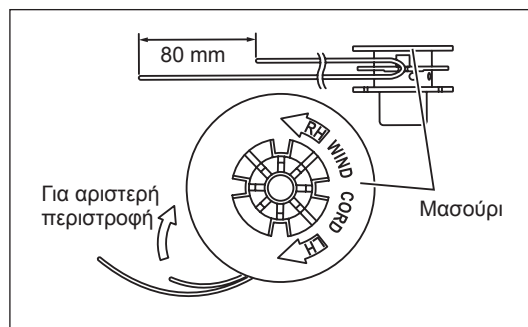
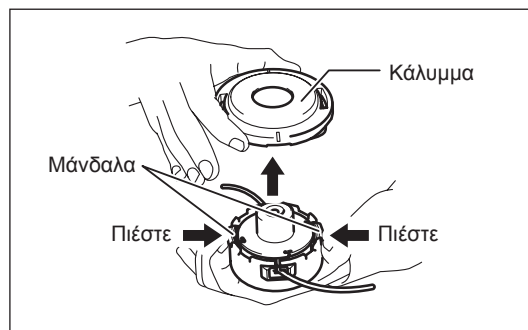
Τυλίξτε και τα δυο άκρα καλά γύρω από το μασούρι προς την διεύθυνση που δείχνεται πάνω στην κεφαλή για αριστερόστροφη κατεύθυνση που υποδεικνύεται από το LH.

Τυλίξτε γύρω όλο το νήμα εκτός από ένα μήκος 100 mm, αφήνοντας προσωρινά τα αγκιστρωμένα άκρα μέσα στην εγκοπή στο πλαίσιο του μασουριού.

Στερεώστε το μασούρι μέσα στη θήκη έτσι ώστε οι αυλακώσεις και οι προεξοχές του μασουριού να ταιριάζουν με αυτές της θήκης. Να έχετε στην κορυφή την πλευρά με τα γράμματα στο μασούρι. Τώρα, απαγκιστρώστε τα άκρα του νήματος από την προσωρινή τους θέση και περάστε τα νήματα μέσα στα οφθαλμίδια για να βγουν έξω από την θήκη.

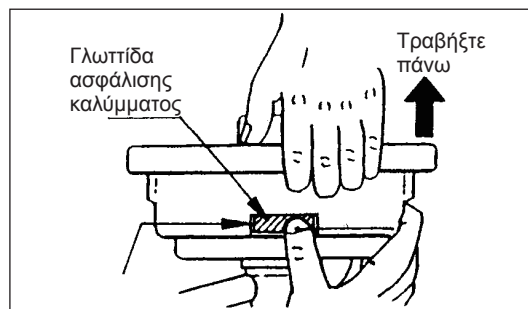
Ταιριάστε την προεξοχή στην κάτω πλευρά του καλύμματος με τις οπές οφθαλμιδίων οφθαλμιδίων.

Στη συνέχεια σπρώξτε το κάλυμμα καλά πάνω στην θήκη για να το ασφαλίσετε. Φροντίστε ώστε τα μάνταλα να εκκίνονται πλήρως πάνω στο κάλυμμα.

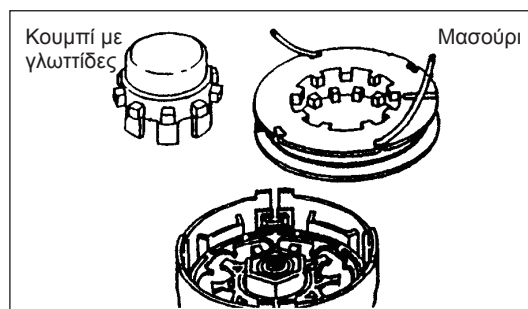


Αντικατάσταση του νάιλον νήματος (ΑΠΟΛΥΤΑ ΑΥΤΟΜΑΤΗ)

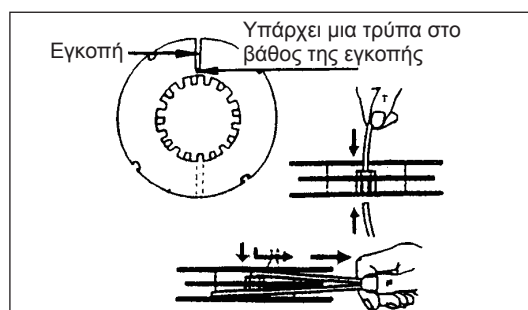
1. Βγάλετε το κάλυμμα από τη θήκη, πιέζοντας τις δυο ασφαλιστικές γλωττίδες του καλύμματος που βρίσκονται στις αντίθετες πλευρές της θήκης.



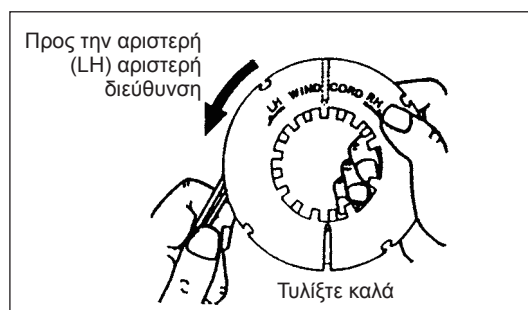
2. Βγάλετε το κουμπί με τις γλωττίδες και το μασούρι από τη θήκη.



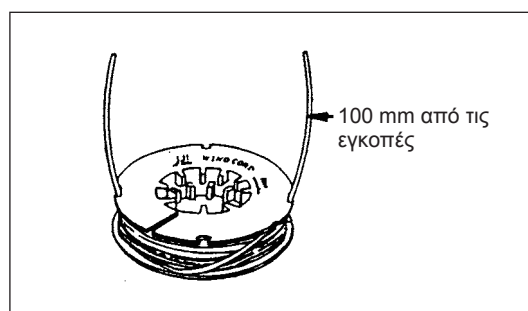
3. Τοποθετήστε το κάθε άκρο των δυο κλωστών κοπής μέσα στην κάθε μια από τις τρύπες στο βάθος των σχισμών στην κάθε μια από τις εξωτερικές φλάντζες του μασουριού. Τοποθετήστε τις κλωστές μέσα στις αυλακώσεις του μασουριού διαμέσου των σχισμών στις φλάντζες.



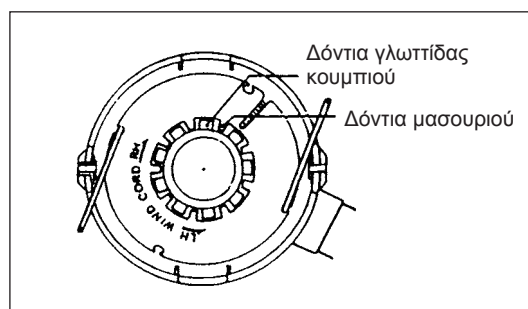
4. Τυλίξτε τις κλωστές καλά προς την διεύθυνση που δείχνεται από το αριστερό (LH) βέλος στη φλάντζα. Μην σταυρώσετε τις κλωστές.



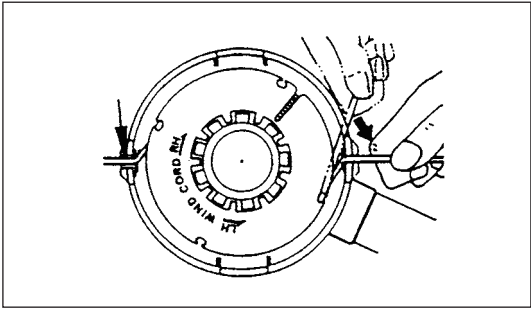
5. Τυλίξτε γύρω από το μασούρι όλο το νήμα εκτός από ένα μήκος 100 mm (3-15/16"), αφήνοντας προσωρινά τα άκρα αγκιστρωμένα μέσα στις εγκοπές στο πλάι του μασουριού.



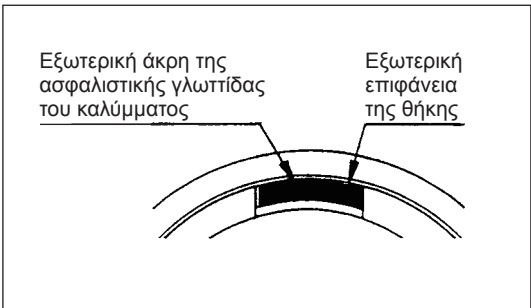
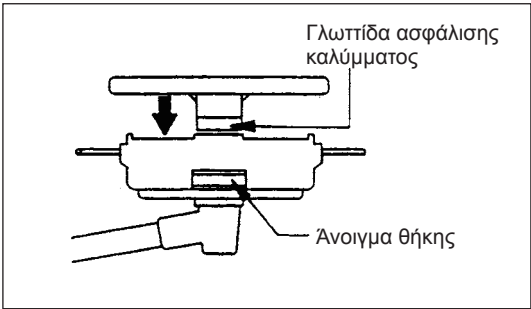
6. Τοποθετήστε το κουμπί με τις γλωττίδες μέσα στο κέντρο της θήκης, θέση στην οποία μπορεί να μετακινηθεί ελεύθερα πάνω και κάτω ενάντια στην πίεση του ελατηρίου. Τοποθετήστε το μασούρι μέσα στη θήκη, ευθυγραμμίζοντας εναλλακτικά τα δόντια στο μασούρι με τις γλωττίδες στο κουμπί όπως οι ταχύτητες.



7. Πέρασμα των κλωστών κοπής μέσα από τις σχισμές των οφθαλμιδίων.



8. Τοποθετήστε το κάλυμμα στην θήκη, ευθυγραμμίζοντας τις γλωττίδες του καλύμματος με τα ανοίγματα στη θήκη. Φροντίστε το κάλυμμα να στερεωθεί επακριβώς στη θήκη. Το εξωτερικό άκρο της γλωττίδας ασφάλισης του καλύμματος και η εξωτερική επιφάνεια της θήκης θα πρέπει να βρίσκονται στην ίδια περιφέρεια.



ΟΔΗΓΙΕΣ ΣΕΡΒΙΣ

ΠΡΟΣΟΧΗ: Πριν κάνετε την οποιαδήποτε εργασία πάνω στη συσκευή, πάντοτε να σταματάτε τον κινητήρα και να αποσυνδέετε την πίπα του μπουζί από το μπουζί (δείτε την ενότητα "έλεγχος του μπουζί").
Να φοράτε πάντα προστατευτικά γάντια!

Για την διασφάλιση της μεγάλης διάρκειας ζωής και της αποφυγής της ζημιάς στη συσκευή, εκτελείτε κατά τακτά διαστήματα τις παρακάτω εργασίες συντήρησης.

Καθημερινός έλεγχος και συντήρηση

- Πριν την λειτουργία, ελέγξτε την συσκευή για ξεσφιγμένες βίδες ή εξαρτήματα που λείπουν. Δώστε ιδιαίτερη προσοχή στο σφίξιμο της μεταλλικής λάμας ή στην νάιλον κοπτική κεφαλή.
- Πριν από την λειτουργία, πάντοτε να ελέγχετε για την ύπαρξη βουλώματος στους αεραγωγούς ψύξης και στα πτερύγια του κυλίνδρου. Καθαρίστε τα εάν είναι απαραίτητο.
- Εκτελέστε τις παρακάτω εργασίες συντήρησης καθημερινά μετά την χρήση:
 - Καθαρίστε εξωτερικά τη συσκευή και επιθεωρήστε τη για την ύπαρξη ζημιάς.
 - Καθαρίστε το φίλτρο αέρα. Κατά την εργασία υπό συνθήκες με πολύ σκόνη, καθαρίστε το φίλτρο αρκετές φορές την μέρα.
 - Ελέγξτε τη λάμα ή την νάιλον κεφαλή κοπής για ζημιά και βεβαιωθείτε ότι είναι καλά στερεωμένη.
 - Ελέγξτε για να διαπιστώσετε ότι υπάρχει επαρκής διαφορά μεταξύ των ταχυτήτων του ρελαντί και της λειτουργίας και να διασφαλίσετε ότι το κοπτικό εργαλείο είναι σταματημένο όταν ο κινητήρας βρίσκεται στο ρελαντί (εάν είναι απαραίτητο, ελαττώστε την ταχύτητα του ρελαντί). Εάν στο ρελαντί το εργαλείο συνεχίσει να λειτουργεί, συμβουλευτείτε τον εξουσιοδοτημένο αντιπρόσωπο του σέρβις.
- Ελέγξτε για να διαπιστώσετε ότι ο διακόπτης I-O, ο μοχλός κλειδώματος, ο μοχλός γκαζιού, και το κουμπί ασφάλισης λειτουργούν σωστά.

ΑΝΤΙΚΑΤΑΣΤΑΣΗ ΤΟΥ ΛΑΔΙΟΥ ΤΟΥ ΚΙΝΗΤΗΡΑ

Το αλλοιωμένο λάδι θα μειώσει τη διάρκεια ζωής του κινητήρα. Φροντίστε να ελέγχετε το λάδι και τη στάθμη τακτικά.



ΠΡΟΕΙΔΟΠΟΙΗΣΗ: Ο κινητήρας και το λάδι του κινητήρα είναι ακόμη ζεστά αμέσως μετά το σταμάτημα του κινητήρα. Αφήστε επαρκή χρόνο ώστε να κρυώσουν ο κινητήρας και το λάδι του κινητήρα. Αλλιώς μπορεί να προκληθεί έγκαυμα στο δέρμα σας.

ΣΗΜΕΙΩΣΗ: Εάν το λάδι γεμίσει πάνω από το όριο, μπορεί να ρυπανθεί ή να πιάσει φωτιά με άσπρο καπνό. Αφήστε αρκετό χρόνο μετά το σταμάτημα του κινητήρα ώστε το λάδι του κινητήρα να επιστρέψει στη δεξαμενή καυσίμου για να εξασφαλιστεί η ακριβής μέτρηση της στάθμης του λαδιού.

Διάστημα αντικατάστασης: Μετά από τις πρώτες 20 ώρες λειτουργίας και ακολούθως κάθε 50 ώρες λειτουργίας.

Συνιστώμενο λάδι: SAE 10W-30 λάδι Κατηγορίας API Κλάση SF ή υψηλότερη (4-χρονος κινητήρας για αυτοκίνητα)

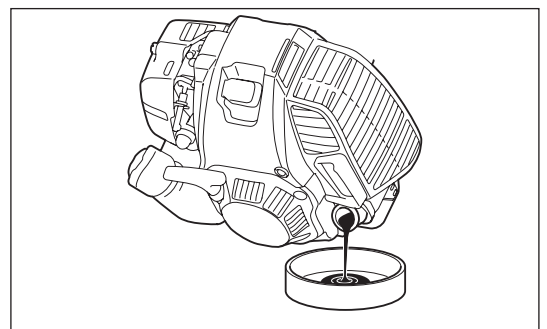
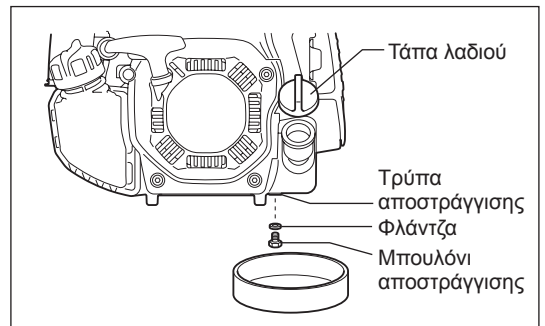
Κατά την αντικατάσταση εκτελέστε την παρακάτω διαδικασία.

- 1) Φροντίστε ώστε η τάπα του ρεζερβουάρ καυσίμου να είναι καλά σφιγμένη.
- 2) Τοποθετήστε ένα μεγάλο δοχείο (λεκάνη, κτλ) κάτω από την τρύπα αποστράγγισης.
- 3) Αφαιρέστε το μπουλόνι αποστράγγισης και στη συνέχεια αφαιρέστε την τάπα του λαδιού για να αποστραγγιστεί το λάδι από την τρύπα αποστράγγισης.
Τη στιγμή αυτή, φροντίστε ώστε να μην χάσετε τη φλάντζα του μπουλονιού αποστράγγισης ή να μην κολλήσει βρωμιά πάνω στα εξαρτήματα που έχουν αφαιρεθεί.
- 4) Όταν αποστραγγιστεί όλο το λάδι, τοποθετήστε τη φλάντζα και το μπουλόνι αποστράγγισης και στερεώστε καλά το μπουλόνι αποστράγγισης έτσι ώστε να μην μπορεί να ξεσφίξει και να προκαλέσει διαρροές.
[Ροπή σφίξης: 5 N·m]

* Χρησιμοποιώντας ένα ύφασμα σκουπίστε το λάδι που τυχόν υπάρχει πάνω στο μπουλόνι ή στη συσκευή.

Εναλλακτική μέθοδος αποστράγγισης

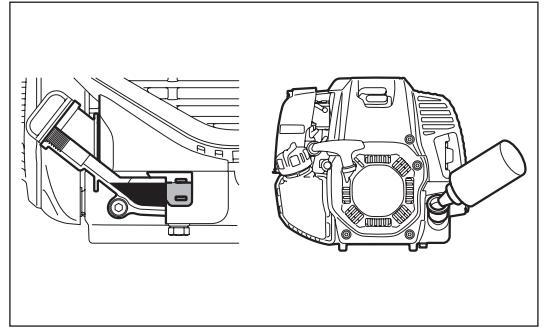
Αφαιρέστε τη τάπα του λαδιού, δώστε κλίση στη συσκευή προς το μέρος της τρύπας του πληρωτή λαδιού και στη συνέχεια, αποστραγγίστε έξω το λάδι. Συλλέξτε το λάδι στο δοχείο.



- 5) Τοποθετήστε επίπεδα τον κινητήρα και στη συνέχεια, γεμίστε βαθμιαία έως τη σήμανση του ανώτερου ορίου με καινούργιο λάδι.
- 6) Μετά το γέμισμα, σφίξτε καλά την τάπα του λαδιού έτσι ώστε να μην ξεσφίξει και προκαλέσει διαρροές.
Εάν η τάπα του λαδιού δεν στερεωθεί καλά μπορεί να προκληθεί διαρροή.

ΣΗΜΕΙΩΣΕΙΣ ΓΙΑ ΤΟ ΛΑΔΙ

- Ποτέ να μην πετάξετε το παλιό λάδι στα σκουπίδια, στο έδαφος ή στην αποχέτευση. Η απόρριψη του λαδιού υπόκειται στην νομοθεσία. Κατά την απόρριψη, πάντοτε να ακολουθείτε τους σχετικούς νόμους και κανονισμούς. Εάν δεν γνωρίζετε κάποια στοιχεία, επικοινωνήστε με τον εξουσιοδοτημένο αντιπρόσωπο του σέρβις.
- Το λάδι θα αλλοιωθεί ακόμη και αν το φυλάξετε αχρησιμοποίητο. Εκτελέστε τον έλεγχο και την αντικατάσταση σε τακτά διαστήματα (αντικαταστήστε με καινούργιο λάδι κάθε 6 μήνες).



ΚΑΘΑΡΙΣΜΟΣ ΦΙΛΤΡΟΥ ΑΕΡΑ



ΠΡΟΕΙΔΟΠΟΙΗΣΗ: Σβήστε τον κινητήρα, να είστε μακριά από τις γυμνές φλόγες και να μην καπνίζετε.

Χρονικό διάστημα καθαρισμού και επιθεώρησης: Καθημερινά (κάθε 10 ώρες λειτουργίας)

- Στρέψτε το μοχλό του τσοκ στην πλήρως κλειστή πλευρά και κρατήστε το καρμπυρατέρ καθαρό από βρωμιά ή σκόνη.

Αφαίρεση του καλύμματος φίλτρου αέρα

- Ελευθερώστε το άγκιστρο του καλύμματος φίλτρου αέρα πιέζοντας προς τα κάτω το βρόχο της πλακέτας.
- Ξεσφίξτε το μπουλόνι στερέωσης.
- Τραβήξτε και αφαιρέστε το κάλυμμα του φίλτρου αέρα.

Καθαρισμός στοιχείου

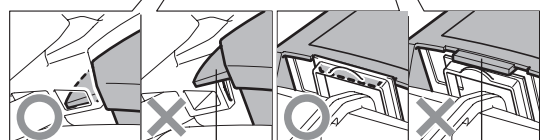
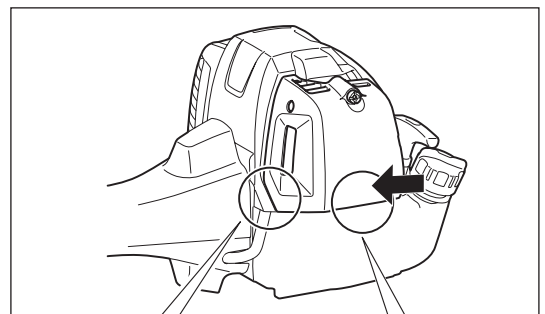
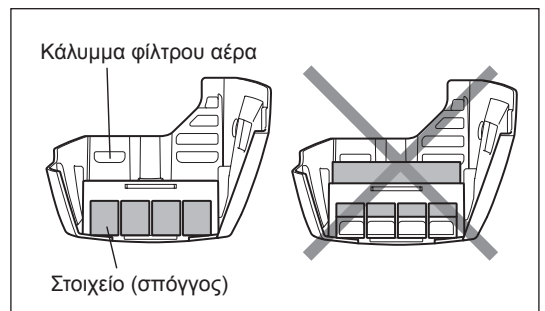
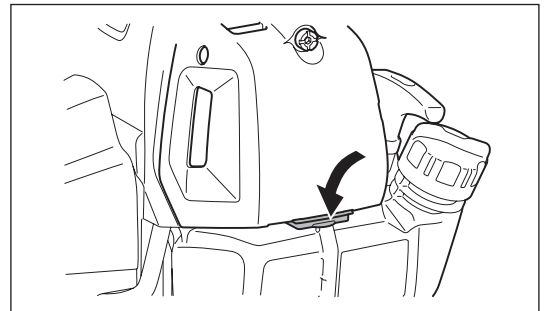
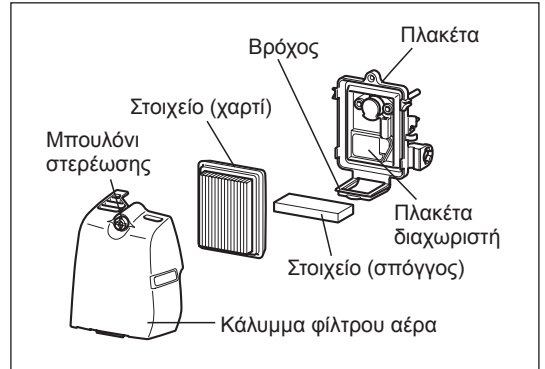
- Αφαιρέστε τα στοιχεία και χτυπήστε τα για να αφαιρέσετε τη βρωμιά.
- Για μεγάλη ρύπανση:
 - 1) Αφαιρέστε το στοιχείο (σπόγγος), βυθίστε το σε ζεστό νερό ή σε νερό με διαλυμένο ουδέτερο απορρυπαντικό, και στεγνώστε το εντελώς. Μην το πιέζετε ή το τρίβετε κατά την πλύση.
 - 2) Καθαρίστε το στοιχείο (χαρτί) χτυπώντας το ελαφρά. Εάν μπορείτε να χρησιμοποιήσετε πιστόλι αέρα, φυσήξτε τον πεπιεσμένο αέρα στο εσωτερικό του στοιχείου (χαρτί). Μην πλένετε το στοιχείο (χαρτί).
- Πριν συνδέσετε το στοιχείο (σπόγγος), φροντίστε να το στεγνώσετε εντελώς. Το ανεπαρκές στέγνωμα του στοιχείου (σπόγγος) μπορεί να οδηγήσει στην δυσκολία της εκκίνησης.
- Σκουπίστε με ένα άχρηστο πανί το λάδι που είναι κολλημένο γύρω από το κάλυμμα του φίλτρου αέρα και την πλάκα του διαχωριστή.

Σύνδεση του καλύμματος του φίλτρου αέρα

- Τοποθετήστε το στοιχείο (σπόγγος) και το στοιχείο (χαρτί). Εισαγάγετε το στοιχείο (σπόγγος) μέχρι τέρμα μέσα στο κάλυμμα του φίλτρου αέρα.
- Εισάγετε το πλευρικό άγκιστρο πάνω στο κάλυμμα του φίλτρου αέρα, όπως απεικονίζεται και πιέστε το κάτω μέρος του καλύμματος του φίλτρου αέρα μέχρι να ασφαλίσει, έτσι ώστε το άγκιστρο να κάθεται σωστά μέσα στο βρόχο. Στη συνέχεια, σφίξτε το κάλυμμα του φίλτρου αέρα με το μπουλόνι στερέωσης.

ΕΙΔΟΠΟΙΗΣΗ:

- Καθαρίστε τα στοιχεία αρκετές φορές την ημέρα, εάν κολλάει πάνω τους υπερβολική σκόνη. Τα βρώμικα στοιχεία μειώνουν την ισχύ του κινητήρα και δυσχεραίνουν την εκκίνηση του κινητήρα.
- Αφαιρέστε το λάδι από τα στοιχεία. Εάν συνεχιστεί η λειτουργία με τα στοιχεία να παραμένουν βρώμικα από λάδι, το λάδι από το στοιχείο καθαρισμού αέρα μπορεί να πέσει έξω προκαλώντας ρύπανση του περιβάλλοντος.
- Μην τοποθετείτε τα στοιχεία στο έδαφος ή σε βρώμικο χώρο. Αλλιώς μαζεύουν βρωμιά ή θραύσματα και μπορεί να προκληθεί βλάβη στον κινητήρα.
- Ποτέ να μη χρησιμοποιείτε καύσιμο για τον καθαρισμό των στοιχείων. Το καύσιμο μπορεί να προκαλέσει τη βλάβη τους.



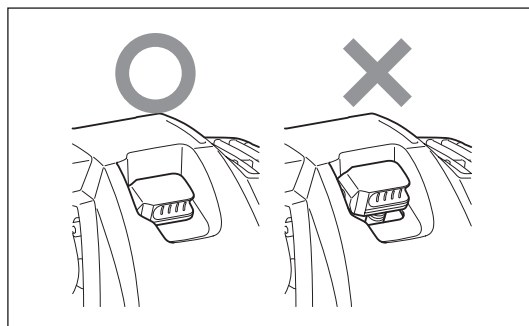
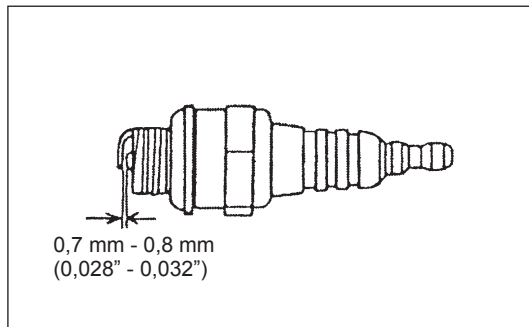
Πλευρικό άγκιστρο

Άγκιστρο

ΕΛΕΓΧΟΣ ΤΟΥ ΜΠΟΥΖΙ

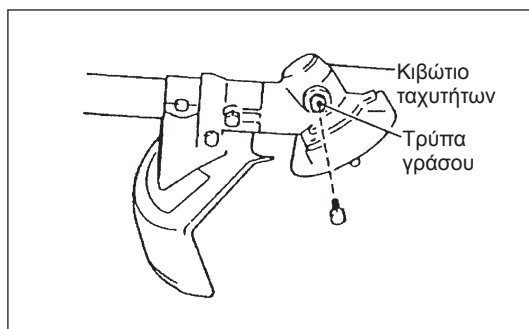
- Χρησιμοποιήστε μόνο το παρεχόμενο κλειδί γενικής χρήσης για την αφαίρεση ή την τοποθέτηση του μπουζί.
 - Το διάκενο μεταξύ των δυο ηλεκτροδίων του μπουζί πρέπει να είναι 0,7 - 0,8 mm (0,028" - 0,032"). Διορθώστε το διάκενο εάν είναι πολύ μεγάλο ή μικρό. Εάν το μπουζί είναι βουλωμένο ή ρυπαρό, καθαρίστε το καλά ή αντικαταστήστε το.
- Τοποθετήστε σωστά το κάλυμμα του μπουζί όπως φαίνεται μετά τον έλεγχο.

ΠΡΟΣΟΧΗ: Ποτέ να μην αγγίζετε το σύνδεσμο του μπουζί καθώς λειτουργεί ο κινητήρας (υπάρχει κίνδυνος ηλεκτροπληξίας από την υψηλή τάση).



ΓΡΑΣΑΡΙΣΜΑ ΤΟΥ ΚΙΒΩΤΙΟΥ ΤΑΧΥΤΗΤΩΝ

- Βάλτε γράσο (Shell Alvania 2 ή ισοδύναμο) στο κιβώτιο ταχυτήτων μέσα από την τρύπα του γράσου κάθε 30 ώρες. (Αυθεντικό γράσο ΜΑΚΙΤΑ μπορεί να αγοραστεί από τον αντιπρόσωπο της ΜΑΚΙΤΑ.)



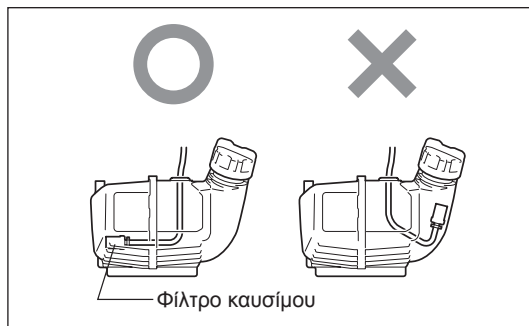
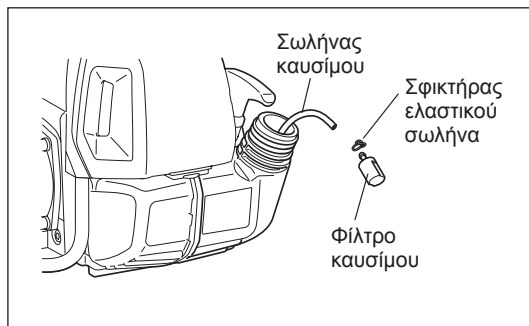
ΚΑΘΑΡΙΣΜΑ ΦΙΛΤΡΟΥ ΚΑΥΣΙΜΟΥ

ΠΡΟΕΙΔΟΠΟΙΗΣΗ: ΟΙ ΕΥΦΛΕΚΤΕΣ ΟΥΣΙΕΣ ΑΠΑΓΟΡΕΥΟΝΤΑΙ ΑΥΣΤΗΡΑ

Χρονικό διάστημα καθαρισμού και επιθεώρησης: Μηνιαία (κάθε 50 ώρες λειτουργίας)

Κεφαλή αναρρόφησης στο ρεζερβουάρ καυσίμου

- Το φίλτρο καυσίμου (1) της κεφαλής αναρρόφησης χρησιμοποιείται για το φιλτράρισμα του καυσίμου που απαιτείται από το καρμπυρατέρ.
- Θα πρέπει να γίνεται περιοδικά ένας οπτικός έλεγχος του φίλτρου καυσίμου. Ανοίξτε την τάπα του ρεζερβουάρ καυσίμου, χρησιμοποιήστε ένα συρματένιο άγκιστρο και τραβήξτε έξω την κεφαλή αναρρόφησης μέσα από το άνοιγμα του ρεζερβουάρ καυσίμου. Αν το φίλτρο είναι σκληρό ή βουλωμένο, αντικαταστήστε το.
- Αντικαταστήστε το φίλτρο καυσίμου τουλάχιστο κάθε τρεις μήνες για να διασφαλίσετε ότι είναι επαρκής η παροχή καυσίμου στο καρμπυρατέρ. Διαφορετικά μια ανεπαρκής παροχή καυσίμου μπορεί να προκαλέσει την αστοχία εκκίνησης του κινητήρα και τον περιορισμό της μέγιστης ταχύτητας.
- Μετά από τον έλεγχο, τον καθαρισμό ή την αντικατάσταση, στερεώστε το φίλτρο καυσίμου στο σωλήνα καυσίμου με το σφικτήρα ελαστικού σωλήνα. Σπρώξτε το φίλτρο καυσίμου μέχρι τέρμα στο κάτω μέρος του ρεζερβουάρ καυσίμου.



ΑΝΤΙΚΑΤΑΣΤΑΣΗ ΤΟΥ ΣΩΛΗΝΑ ΚΑΥΣΙΜΟΥ

ΠΡΟΣΟΧΗ: ΟΙ ΕΥΦΛΕΚΤΕΣ ΟΥΣΙΕΣ ΑΠΑΓΟΡΕΥΟΝΤΑΙ ΑΥΣΤΗΡΑ

Χρονικό διάστημα καθαρισμού και επιθεώρησης: Καθημερινά (κάθε 10 ώρες λειτουργίας)

Αντικατάσταση: Ετήσια (κάθε 200 ώρες λειτουργίας)

Αντικαταστήστε την σωλήνα καυσίμου κάθε χρόνο, ανεξάρτητα από την συχνότητα χρήσης. Η διαρροή καυσίμου μπορεί να οδηγήσει στην πυρκαγιά. Εάν ανιχνευτεί η οποιαδήποτε διαρροή κατά την επιθεώρηση, αντικαταστήστε αμέσως την σωλήνα καυσίμου.

ΕΠΙΘΕΩΡΗΣΗ ΜΠΟΥΛΟΝΙΩΝ, ΠΑΞΙΜΑΔΙΩΝ ΚΑΙ ΒΙΔΩΝ

- Σφίξτε ξανά τα χαλαρά μπουλόνια, παξιμάδια κτλ.
- Ελέγξτε το σφίξιμο της τάπας καυσίμου και της τάπας λαδιού. Ελέγξτε την περίπτωση διαρροής καυσίμου και λαδιού.
- Αντικαταστήστε τα φθαρμένα εξαρτήματα με καινούργια για μια ασφαλή λειτουργία.

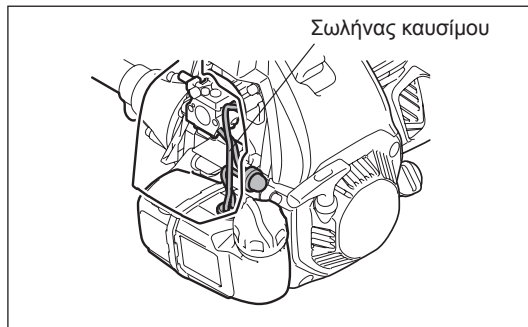
ΚΑΘΑΡΙΣΜΟΣ ΕΞΑΡΤΗΜΑΤΩΝ

- Πάντοτε να διατηρείτε τον κινητήρα καθαρό καθαρίζοντάς τον με ένα πανί.
- Καθαρίστε τα πτερύγια του κυλίνδρου από σκόνη ή βρωμιά. Η κολλημένη σκόνη ή βρωμιά στα πτερύγια θα προκαλέσει το σφίγωμα του πιστονιού.

ΑΝΤΙΚΑΤΑΣΤΑΣΗ ΦΛΑΝΤΖΩΝ ΚΑΙ ΣΤΟΙΧΕΙΩΝ ΣΥΝΑΡΜΟΛΟΓΗΣΗΣ

Αντικαταστήστε τις φλάντζες και τα στοιχεία συναρμολόγησης εάν έχει αποσυναρμολογηθεί ο κινητήρας.

Η οποιαδήποτε εργασία συντήρησης που δεν συμπεριλαμβάνεται και δεν περιγράφεται σε αυτό το εγχειρίδιο θα πρέπει να εκτελείται μόνο από τους εξουσιοδοτημένους αντιπροσώπους του σέρβις.



ΑΠΟΘΗΚΕΥΣΗ

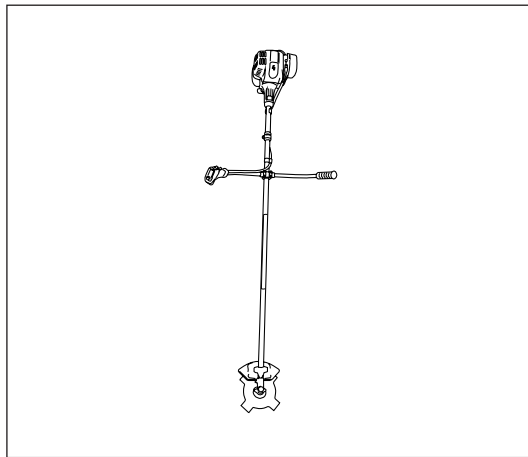


ΠΡΟΕΙΔΟΠΟΙΗΣΗ: Ο κινητήρας είναι ακόμη ζεστός αμέσως μετά το σταμάτημα του κινητήρα. Κατά την αποστράγγιση του καυσίμου, αφήστε αρκετό χρόνο ώστε να κρυώσει ο κινητήρας αφού σταματήσει. Αλλιώς μπορεί να προκληθεί έγκαυμα στο δέρμα και/ή φωτιά.



ΚΙΝΔΥΝΟΣ: Όταν το μηχάνημα μένει εκτός λειτουργίας για μεγάλο χρονικό διάστημα, αποστραγγίστε όλο το καύσιμο από το ρεζερβουάρ καυσίμου και το καρμπυρατέρ, και στην συνέχεια φυλάξτε το σε ένα ξηρό και καθαρό μέρος.

- Αποστραγγίστε το καύσιμο από το ρεζερβουάρ καυσίμου και το καρμπυρατέρ σύμφωνα με την παρακάτω διαδικασία:
 - 1) Αφαιρέστε το καπάκι του ρεζερβουάρ καυσίμου, και αποστραγγίστε εντελώς το καύσιμο. Εάν υπάρχει το οποιοδήποτε ξένο σώμα μέσα στο ρεζερβουάρ καυσίμου, αφαιρέστε το εντελώς.
 - 2) Τραβήξτε έξω το φίλτρο καυσίμου από την τρύπα ανεφοδιασμού χρησιμοποιώντας ένα σύρμα.
 - 3) Σπρώξτε την αντλία προέγχυσης έως ότου αποστραγγιστεί το καύσιμο από εκεί, και το αποστραγγισμένο καύσιμο να μπει μέσα στο ρεζερβουάρ καυσίμου.
 - 4) Τοποθετήστε το φίλτρο στο ρεζερβουάρ καυσίμου, και σφίξτε καλά το καπάκι του ρεζερβουάρ καυσίμου.
 - 5) Στη συνέχεια συνεχίστε να λειτουργείτε τον κινητήρα έως ότου σταματήσει.
- Αφαιρέστε το μπουζί και ρίξτε αρκετές σταγόνες λαδιού κινητήρα μέσα στην τρύπα του μπουζί.
- Τραβήξτε με προσοχή το χερούλι του εκκινητήρα έτσι ώστε το λάδι του κινητήρα να απλωθεί πάνω από τον κινητήρα και συνδέστε το μπουζί.
- Τοποθετήστε το κάλυμμα στη μεταλλική λάμα.
- Σε γενικές γραμμές, να αποθηκεύετε το μηχάνημα σε οριζόντια θέση ή αν αυτό δεν είναι εφικτό, τοποθετήστε το μηχάνημα έτσι ώστε το κοπτικό εργαλείο να βρίσκεται κάτω από τον κινητήρα. Δώστε μεγάλη προσοχή πώς να αποθηκεύσετε το μηχάνημα για να αποτραπεί η πτώση του μηχανήματος. Διαφορετικά, μπορεί να προκληθεί τραυματισμός.
- Διατηρήστε το αποστραγγισμένο καύσιμο μέσα σε ένα ειδικό δοχείο σε ένα καλά αεριζόμενο χώρο υπό σκιά.



Προσοχή μετά από μια παρατεταμένη αποθήκευση.

- Πριν την εκκίνηση μετά από ένα παρατεταμένο διάστημα διακοπής, φροντίστε να αντικαταστήσετε το λάδι (ανατρέξτε στη Σ 230). Το λάδι θα αλλοιωθεί κατά το διάστημα στο οποίο το μηχάνημα δεν βρίσκεται σε λειτουργία.

Χρόνος λειτουργίας Στοιχείο		Πριν τη λειτουργία	Μετά τον ανεφοδιασμό καυσίμου	Καθημερινά (10 ώρες)	30 ώρες	50 ώρες	200 ώρες	Πριν από την αποθήκευση	Αντίστοιχη Σ
Λάδι κινητήρα	Επιθεώρηση/ καθαρισμός	○							221
	Αντικατάσταση					○*1			230
Σφίξιμο εξαρτημάτων (μπουλόني, παξιμάδι)	Επιθεώρηση	○							232
Ρεζερβουάρ καυσίμου	Καθάρισμα/ επιθεώρηση	○							—
	Αποστράγγιση καυσίμου							○*3	233
Μοχλός γκαζιού	Έλεγχος λειτουργίας		○						—
Διακόπτης διακοπής	Έλεγχος λειτουργίας		○						230
Κοπτικό εργαλείο	Επιθεώρηση	○		○					218
Ταχύτητα ρελαντί	Έλεγχος/ ρύθμιση			○					226
Φίλτρο αέρα	Καθαρίστε			○					231
Μπουζί	Επιθεώρηση			○					232
Αεραγωγοί ψύξης και πτερύγια κυλίνδρου	Καθάρισμα/ επιθεώρηση			○					233
Σωλήνας καυσίμου	Επιθεώρηση			○					233
	Αντικατάσταση						◎*2		—
Γράσο κιβωτίου ταχυτήτων	Ανεφοδιασμός				○				232
Φίλτρο καυσίμου	Καθαρισμός/ αντικατάσταση					○			232
Διάκενο βαλβίδας (βαλβίδα εισαγωγής και βαλβίδα εξαγωγής του αέρα)	Έλεγχος/ ρύθμιση						◎*2		—
Καρμπιρατέρ	Αποστράγγιση καυσίμου							○*3	233

*1 Εκτελέστε την αρχική αντικατάσταση μετά από 20 ώρες λειτουργίας.

*2 Για την επιθεώρηση των 200 ωρών, απευθυνθείτε σε ένα Εξουσιοδοτημένο Αντιπρόσωπο του Σέρβις ή σε ένα συνεργείο.

*3 Μετά το άδειασμα του ρεζερβουάρ καυσίμου, συνεχίστε τη λειτουργία του κινητήρα για την αποστράγγιση του καυσίμου στο καρμπιρατέρ.

ΕΠΙΛΥΣΗ ΠΡΟΒΛΗΜΑΤΩΝ

Πριν ζητήσετε βοήθεια για επισκευές, ελέγξτε το πρόβλημα μόνοι σας. Εάν βρεθεί κάποια ανωμαλία, χειριστείτε το μηχανήμα σας σύμφωνα με τα όσα περιγράφονται σε αυτό το εγχειρίδιο. Ποτέ μην προσπαθήσετε να αποσυναρμολογήσετε το οποιοδήποτε εξάρτημα ενάντια σε όσα περιγράφονται. Για επισκευές, ελάτε σε επαφή με τον εξουσιοδοτημένο αντιπρόσωπο του σέρβις ή την τοπική αντιπροσωπεία.

Κατάσταση προβλήματος	Πιθανή αιτία (δυσλειτουργία)	Αποκατάσταση
Ο κινητήρας δεν ξεκινά	Ο διακόπτης I - Ο είναι ρυθμισμένος στο ΣΤΑΜΑΤΗΜΑ (STOP).	Τοποθετήστε το διακόπτη I-O στη θέση ΛΕΙΤΟΥΡΓΙΑ.
	Αστοχία λειτουργίας της αντλίας προέγχυσης	Σπρώξτε 7 με 10 φορές
	Χαμηλή ταχύτητα τραβήγματος του κορδονιού του εκκινήτηρα	Τραβήξτε πιο δυνατά
	Έλλειψη καυσίμου	Προσθέστε καύσιμο
	Βουλωμένο φίλτρο καυσίμου	Καθαρίστε
	Λυγισμένος σωλήνας καυσίμου	Ισιώστε το σωλήνα καυσίμου
	Αλλοιωμένο καύσιμο	Το αλλοιωμένο καύσιμο καθιστά την εκκίνηση πιο δύσκολη. Αντικαταστήστε με καινούργιο καύσιμο. (Συνιστώμενη αντικατάσταση: 1 μήνας)
	Υπερβολική αναρρόφηση καυσίμου	Τοποθετήστε το μοχλό του γκαζιού από την ενδιάμεση ταχύτητα στην υψηλή ταχύτητα και τραβήξτε το χερούλι του εκκινήτηρα έως ότου να ξεκινήσει ο κινητήρας. Όταν ξεκινήσει ο κινητήρας, η μεταλλική λάμα αρχίζει να περιστρέφεται. Δώστε μεγάλη προσοχή στη μεταλλική λάμα. Εάν ο κινητήρας εξακολουθεί να μην ξεκινά, αφαιρέστε το μπουζί, στεγνώστε το ηλεκτρόδιο, και επανατοποθετήστε τα στην αρχική τους θέση. Στη συνέχεια, ξεκινήστε όπως έχει καθοριστεί προηγουμένως.
	Αποσυνδεδεμένο καπάκι του μπουζί	Συνδέστε το καλά
	Ρυπαρό μπουζί	Καθαρίστε
	Μη φυσιολογικό διάκενο του μπουζί	Ρυθμίστε το διάκενο
	Άλλη ανωμαλία του μπουζί	Αντικαταστήστε
	Μη φυσιολογικό καρμπιρατέρ	Ζητήστε την επιθεώρηση και συντήρηση.
	Το κορδόνι του εκκινήτηρα δεν μπορεί να τραβηχτεί	Ζητήστε την επιθεώρηση και συντήρηση.
Μη φυσιολογικό σύστημα μετάδοσης	Ζητήστε την επιθεώρηση και συντήρηση.	
Ο κινητήρας σταματά γρήγορα Η ταχύτητα του κινητήρα δεν αυξάνεται	Ανεπαρκές ζέσταμα	Εκτελέστε την λειτουργία προθέρμανσης
	Ο μοχλός του τσοκ είναι τοποθετημένος στο "ΚΛΕΙΣΤΟ" παρότι έχει ζεσταθεί ο κινητήρας.	Τοποθετήστε στο "ΑΝΟΙΚΤΟ"
	Βουλωμένο φίλτρο καυσίμου	Καθαρίστε
	Ρυπαρό ή βουλωμένο φίλτρο αέρα	Καθαρίστε
	Μη φυσιολογικό καρμπιρατέρ	Ζητήστε την επιθεώρηση και συντήρηση.
	Μη φυσιολογικό σύστημα μετάδοσης	Ζητήστε την επιθεώρηση και συντήρηση.
Η μεταλλική λάμα δεν περιστρέφεται ↓ Σταματήστε τον κινητήρα αμέσως	Ξεσφιγμένο το παξιμάδι σύσφιξης της μεταλλικής λάμας	Σφίξτε καλά
	Κλαδάκια πιάστηκαν από τη μεταλλική λάμα ή από το κάλυμμα αποτροπής διασποράς.	Αφαιρέστε τα ξένα σώματα
	Μη φυσιολογικό σύστημα μετάδοσης	Ζητήστε την επιθεώρηση και συντήρηση.
Η κύρια μονάδα υφίσταται ανώμαλη δόνηση ↓ Σταματήστε τον κινητήρα αμέσως	Σπασμένη, λυγισμένη ή φθαρμένη μεταλλική λάμα	Αντικαταστήστε τη μεταλλική λάμα
	Ξεσφιγμένο το παξιμάδι σύσφιξης της μεταλλικής λάμας	Σφίξτε καλά
	Μετατόπιση του κυρτού τμήματος της μεταλλικής λάμας και του υποστηρικτικού εξαρτήματος της μεταλλικής λάμας.	Συνδέστε το καλά
	Μη φυσιολογικό σύστημα μετάδοσης	Ζητήστε την επιθεώρηση και συντήρηση.
Η μεταλλική λάμα δεν σταματά αμέσως ↓ Σταματήστε τον κινητήρα αμέσως	Υψηλή περιστροφή του ρελαντί	Ρυθμίστε
	Αποσυνδεδεμένο καλώδιο γκαζιού	Συνδέστε το καλά
	Μη φυσιολογικό σύστημα μετάδοσης	Ζητήστε την επιθεώρηση και συντήρηση.
Ο κινητήρας δεν σταματά ↓ Λειτουργήστε τον κινητήρα στο ρελαντί και τοποθετήστε τον μοχλό του τσοκ στο ΚΛΕΙΣΤΟ	Αποκολλημένος συνδετήρας	Συνδέστε το καλά
	Μη φυσιολογικό ηλεκτρικό σύστημα	Ζητήστε την επιθεώρηση και συντήρηση.

Όταν ο κινητήρας δεν ξεκινά μετά την λειτουργία προθέρμανσης:

Εάν δεν υπάρχει καμία ανωμαλία στα σημεία ελέγχου, ανοίξτε το γκάζι περίπου στο 1/3 και ξεκινήστε τον κινητήρα.

Bu MAKITA Açık Hava Tipi Makinesini satın aldığınız için teşekkür ederiz. Uzun bir geliştirme programının ve yılların bilgi ve birikiminin bir sonucu olarak ortaya çıkan bu MAKITA ürününü sizlere sunmaktan mutluluk duyuyoruz. Makinenin üstün performansta kullanılması için birçok konuyla ilgili ayrıntılı bilgilerin bulunduğu bu kılavuzu lütfen dikkatli bir şekilde okuyun. Bu kılavuz, MAKITA ürününden mümkün olan en iyi sonuçları almanıza yardımcı olacaktır.



İçindekiler	Sayfa
Simgeler	236
Güvenlik talimatları	237
Teknik veriler	241
Parçaların gösterimi	242
Kolun takılması	243
Koruyucunun takılması	244
Metal bıçağın veya misinali kesim başlığının takılması	246
Çalışmaya başlamadan önce	247
Makinenin doğru taşınması ve tutulması	249
Çalıştırma ve durdurmayla ilgili uyarılar	250
Kesici parçanın bilinmesi	252
Servis talimatları	256
Saklama	259

SİMGELER

Bu kullanım kılavuzunu okurken karşılaşılabileceğiniz simgeler aşağıda açıklanmıştır.

	Kullanım kılavuzunu okuyun ve uyarı ve güvenlik önlemlerini dikkate alın!		İnsanları ve hayvanları çalışma alanından uzak tutun!
	Gerekli önlemleri alın ve dikkatli olun!		Koruyucu baret, gözlük ve kulaklık kullanın!
	Yasak!		İzin verilen maksimum makine devri
	Mesafe bırakın!		Yakıt (Benzin)
	Sıçrayan yabancı madde tehlikesi!		Motorun manuel çalıştırılması
	Geri tepme!		Acil durdurma
	Sigara içmek yasaktır!		İlk Yardım
	Açık alev yasaktır!		AÇIK/ÇALIŞIYOR
	Mutlaka koruyucu eldiven takılmalıdır!		KAPALI/DURUYOR
	Altı kaymayan sağlam ayakkabılar giyin. Çelik uçlu güvenlik ayakkabıları tavsiye edilir!		KISMA KİLİDİ KONUMU

GÜVENLİK TALİMATLARI

Genel Talimatlar

- Makinenin nasıl çalıştırılacağını öğrenmek için bu kullanım kılavuzunu okuyun. Yetersiz bilgiye sahip kullanıcılar, yanlış kullanım neticesinde hem kendilerini, hem de başkalarını tehlikeye atarlar.
- Bu makinenin yalnızca deneyimli kişilere verilmesi önerilir. Her zaman kullanım kılavuzunu da makineyle birlikte verin.
- Makineyi ilk defa kullanacak olanlar, yan tırpanı tanıtması ve nasıl kullanılacağı konusunda temel bilgiler vermesi için satıcısına danışmalıdır.
- Çocuklar ve 18 yaşının altındaki gençlerin bu makineyi kullanmasına kesinlikle izin verilmemelidir. 16 yaşının üzerindeki gençler bu makineyi deneyimli bir eğitmen gözetiminde yalnızca eğitim amacıyla kullanabilir.
- Bu makineyi çok dikkatli ve titiz bir şekilde kullanın.
- Bu makineyi yalnızca fiziksel olarak iyi durumdayken çalıştırın. Tüm işlerinizi sakın ve dikkatli bir şekilde yürütün. Başkalarının sorumluluğu da kullanıcı üzerindedir.
- Bu makineyi kesinlikle alkol, uyuşturucu veya ilaç kullandıktan sonra veya kendinizi yorgun veya hasta hissediyorsanız kullanmayın.
- Bazı ulusal yönetmelikler makinenin kullanımını kısıtlayabilir.

Makinenin amaçlanan kullanımı

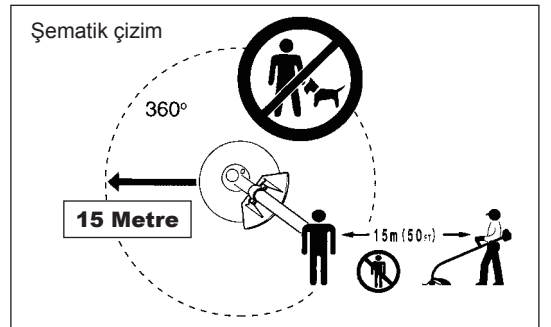
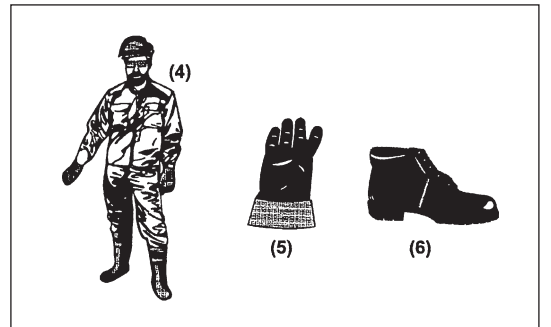
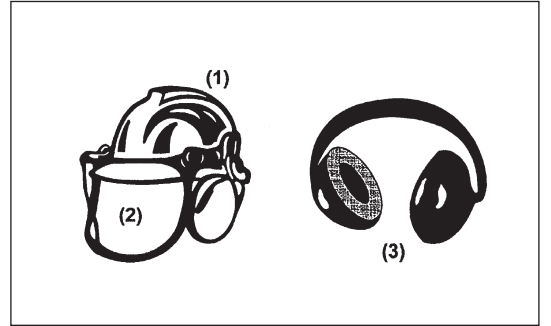
- Bu makine yalnızca çim, dal, çalı ve ağaçların altındaki küçük bitkilerin kesilmesi için tasarlanmıştır. Bu makine kesinlikle kenar kesimi veya çit budama gibi başka bir amaçla kullanılmamalıdır, aksi takdirde yaralanmalar meydana gelebilir.

Kişisel koruyucu ekipmanlar

- Kullanım sırasında giyilen kıyafetler işlevsel ve uygun olmalıdır, yani bol veya hareket kabiliyetini sınırlandıracak kadar dar olmamalıdır. Çalılara, fundalara ve makineye takılabileceğinden takı kullanmayın ve bol kıyafetler giymeyin.
- Baş, göz, el ve ayak yaralanmalarını önlemek ve kulaklarınızı korumak için, bu makinenin çalıştırılması sırasında aşağıdaki koruyucu ekipmanlar ve koruyucu kıyafetler kullanılmalıdır.
- Üzerinize bir şey düşme riski varsa mutlaka koruyucu baret takın. Koruyucu baret (1), olası hasarlara karşı düzenli aralıklarla kontrol edilmeli ve en geç 5 yılda bir değiştirilmelidir. Yalnızca onaylı koruyucu baretleri kullanın.
- Koruyucu baretin siperliği (2) (veya alternatif olarak koruyucu gözlükler) yüzünüzü sıçrayan yabancı madde ve taşlara karşı koruyacaktır. Çalışma sırasında mutlaka koruyucu gözlük veya yüz koruyucu kullanın.
- Olası duyma bozukluklarını önlemek için koruyucu kulaklık (3), kulak tıkacı vs. gibi gürültüye karşı koruyucu ekipmanlar kullanın.
- İş önlüğü (4) sizi sıçrayan taşlara ve yabancı maddelere karşı koruyacaktır. Kullanıcının iş önlüğü giymesi şiddetle tavsiye edilir.
- Eldiven (5) koruyucu ekipmanlardan biridir ve çalışma sırasında mutlaka takılmalıdır.
- Makineyi kullanırken, daima altı kaymayan sağlam ayakkabılar (6) giyin. Böylece, yere sağlam basabilir ve olası yaralanmaları önleyebilirsiniz.

Yan tırpanın çalıştırılması

- 15 metrelik (50 fit) çalışma alanında insanların ve özellikle de çocukların bulunmadığından emin olun. Ayrıca, çalışma alanının çevresindeki hayvanlara da dikkat edin.
- Çalışmaya başlamadan önce, makinenin güvenli çalıştığını kontrol edin: Kesici parçanın güvenli olduğunu, kısma mandalının kolay çalıştığını ve kısma mandalı kilidinin işlevini doğru şekilde yerine getirdiğini kontrol edin.
- Kesici parçanın rölantri hızında hareket etmesi kabul edilemeyecek bir durumdur. Şüphelendiğiniz ayarlar hakkında satıcınıza danışın. Kolların temiz ve kuru olduğunu kontrol edin ve başlatma/durdurma düğmesinin çalışmasını test edin.

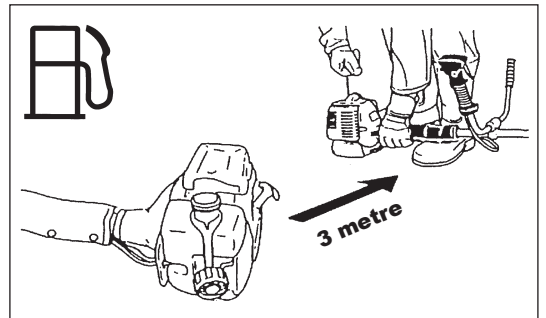
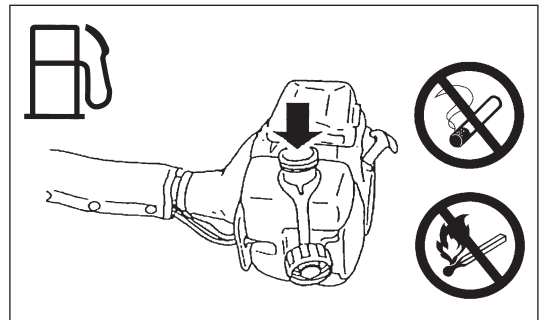
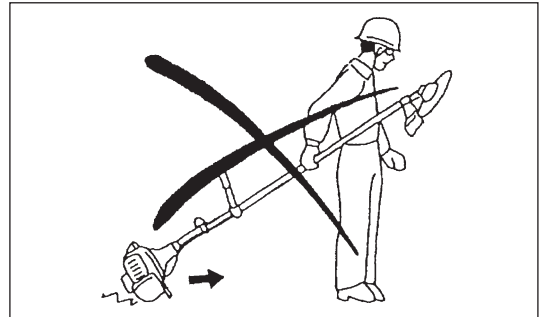
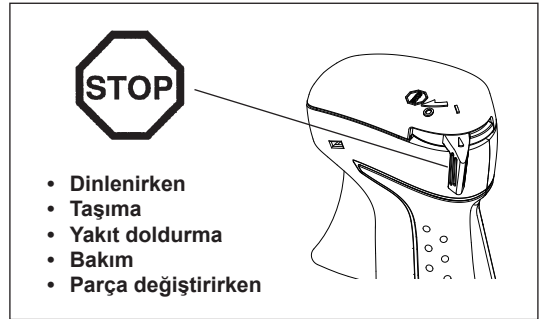
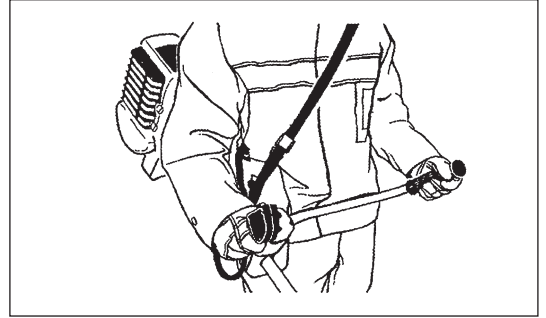
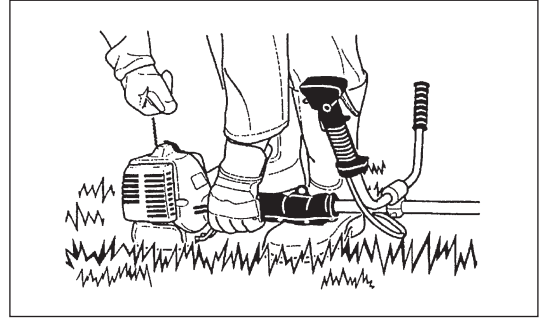


Yan tırpanı mutlaka talimatlara uygun olarak çalıştırın.

- Motoru çalıştırmak için başka bir yöntem kullanmayın!
- Yan tırpanı ve parçalarını yalnızca belirtilen uygulamalarda kullanın.
- Motoru yalnızca montaj ve kurulum işlemleri eksiksiz tamamlandıktan sonra çalıştırın. Makinenin çalıştırılmasına yalnızca tüm gerekli aksesuarlar takıldıktan sonra izin verilmelidir!
- Makineyi kullanmaya başlamadan önce, kesici parçanın dal, taş vb. gibi sert cisimlere temas etmediğinden emin olun, aksi takdirde çalıştırma sırasında kesici parça dönecektir.
- Herhangi bir motor probleminde motoru derhal durdurun.
- Kesici parçanın taşta veya benzeri sert bir cisme çarpması halinde, derhal motoru durdurun ve kesici parçayı kontrol edin.
- Kesici parçada hasar olup olmadığını sık ve düzenli olarak kontrol edin (tıklatma-gürültü testi kullanılarak kılcal çatlaklar tespit edilebilir).
- Makine ağır bir darbe alırsa veya düşerse, çalışmaya devam etmeden önce durumunu kontrol edin. Yakıt kaçağı olup olmadığını tespit etmek için yakıt sistemini ve arıza olup olmadığını tespit etmek için kontrol ve güvenlik cihazlarını kontrol edin. Herhangi bir hasar veya şüphelendiğiniz bir durum varsa, yetkili servis merkezimize kontrol ve onarım talebinde bulunun.
- Yan tırpanı yalnızca omuz askısı takılıyken çalıştırın ve çalıştırmadan önce omuz askısının doğru şekilde ayarlandığını kontrol edin. Kullanım sırasında yorgunluğa veya ağrıya neden olmaması için omuz askısının kullanıcıya göre ayarlanması çok önemlidir. Makineyi kesinlikle kullanım sırasında tek elle tutmayın.
- Kullanım sırasında yan tırpanı daima iki elinizle birden tutun. Her zaman yere sağlam ve dengeli basın.
- Makineyi egzoz gazlarını solumayacak şekilde çalıştırın. Makineyi kesinlikle kapalı ortamlarda çalıştırmayın (gaz zehirlenmesi riski). Karbon monoksit kokusuz bir gazdır.
- İnsanların veya makinenin zarar görmesini önlemek için, dinlenirken veya makinenin başından ayrılırken motoru durdurun ve güvenli bir yere kaldırın.
- Yan tırpanı sıcakken kesinlikle kuru otların veya tutuşabilir maddelerin üzerine bırakmayın.
- Motoru çalıştırmadan önce mutlaka makineye onaylı kesici parça muhafazasını takın. Aksi takdirde, kesici parçaya temas edilmesi durumunda ciddi yaralanmalar meydana gelebilir.
- Çalıştırma sırasında, makineyle birlikte verilen tüm koruyucu ekipmanlar ve muhafazalar kullanılmalıdır.
- Çıkış susturucusu arızalı bir motoru kesinlikle çalıştırmayın.
- Makineyi taşıırken motoru kapalı konuma getirin.
- Makineyi taşıırken mutlaka metal bıçağın kapağını takın.
- Araçla taşıırken, olası yakıt kaçaqlarını önlemek için makinenin güvenli şekilde yerleştirildiğinden emin olun.
- Nakliye öncesi, yakıt deposunun tamamen boş olduğundan emin olun.
- Makineyi kamyondan indirirken, Motoru yere düşürmemeye çalışın, aksi takdirde yakıt deposu ciddi şekilde hasar görebilir.
- Acil durumlar dışında makineyi kesinlikle yere atmayın veya bırakmayın; aksi takdirde makine ciddi şekilde hasar görebilir.
- Makineyi taşıırken kesinlikle sürümemeniz gerektiğini unutmayın. Yakıt deposunun yere sürtünmesi çok tehlikelidir ve yakıt deposunun hasar görmesine, yakıt kaçağına ve hatta yangına yol açabilir.

Yakıt doldurma

- Yakıt doldururken motoru kapatın, makineyi açık alevlerden uzaklaştırın ve sigara içmeyin.
- Madeni yağ ürünlerinin cildinize temas etmesine izin vermeyin. Yakıt buharını solumayın. Yakıt doldururken daima koruyucu eldiven takın. Koruyucu kıyafetlerinizi düzenli aralıklarla değiştirin ve temizleyin.
- Toprağın kirlenmesini önlemek (çevreyi korumak) için yakıt veya yağ dökülmemesine dikkat edin. Yakıt dökülürse, yan tırpanı derhal temizleyin.
- Yakıtın kıyafetlerinize bulaşmasına izin vermeyin. Yakıt dökülürse (kıyafetlerinizin tutuşmaması için) kıyafetlerinizi derhal değiştirin.
- Yakıt kapağının sağlam şekilde kapandığından ve yakıt kaçırmadığından emin olmak için düzenli aralıklarla kontrol edin.
- Yakıt deposu kapağını dikkatlice sıkın. Motoru çalıştırmak için yerinizi değiştirin (yakıt doldurduğunuz yerden en az 3 metre uzağa gitmelisiniz).
- Kesinlikle kapalı odalarda yakıt doldurmayın. Yakıt buharı zemin seviyesinde birikebilir (patlama riski).
- Yakıtları yalnızca onaylı kaplarda taşıyın ve saklayın. Saklanan yakıt çocukların erişemeyeceğinden emin olun.



Çalıştırma yöntemi

- Makineyi yalnızca iyi aydınlatılan ve görüşün açık olduğu yerlerde kullanın. Kış mevsiminde kaygan veya ıslak alanlara, buz ve kara dikkat edin (kayma riski). Her zaman yere sağlam ve dengeli basın.
- Asla bel hizanızın üzerinde kesim yapmayın.
- Kesinlikle merdiven üzerinde çalışmayın.
- Kesim yapmak üzere ağaca çıkmayın.
- Dengesiz zeminler üzerinde kesinlikle çalışmayın.
- Çalışma alanı içerisinde bulunan kum, taş, çivi vs. gibi yabancı maddeleri temizleyin. Yabancı maddeler, kesici parçaya zarar verebilir ve kesici parçanın tehlikeli şekilde geri tepmesine neden olabilir.
- Kesim işlemine başlamadan önce, kesici parçanın tam çalışma hızına ulaşmasını bekleyin.
- Metal bıçaklar kullanırken, sanki el tırpanı kullanıyormuş gibi makineyi sağdan sola doğru eşit olarak yardım daire şeklinde hareket ettirin. Kesici parça ile muhafaza arasına ot veya dal sıkışması durumunda, temizlemeye başlamadan önce mutlaka motoru durdurun. Aksi takdirde, bıçağın kazara dönmesi ciddi yaralanmalara neden olabilir.
- Yorgunluk nedeniyle kontrolünüzü kaybetmemek için düzenli olarak mola verin. Her saat başı 10 ila 20 dakika mola vermenizi öneririz.

Kesici Parçalar

- Gerçekleştireceğiniz iş için uygun kesici parçayı kullanın. Misinalı kesim başlıkları (misinalı tırpan başlıkları) çimlerin tırpanlanması için uygundur. Metal bıçaklar ise dalların, yüksek çimlerin, çalılıarın, fundaların, ağaç altındaki küçük bitkilerin vb. kesilmesi için uygundur. Birbirine bağlı metal zincirlerden meydana gelen ve tek bıçaklı parçalar da dahil kesinlikle başka bıçak kullanmayın. Aksi takdirde, ciddi yaralanmalar meydana gelebilir.
- Metal bıçaklar kullanırken, “geri tepme” oluşmamasına dikkat edin ve kazara oluşabilecek geri tepme durumlarına karşı daima hazırlıklı olun. “Geri tepme” ve “Geri tepmenin önlenmesi” başlıklı bölümlere bakın.

Geri tepme (bıçak baskısı)

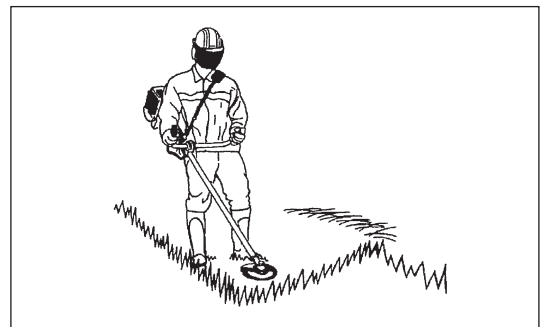
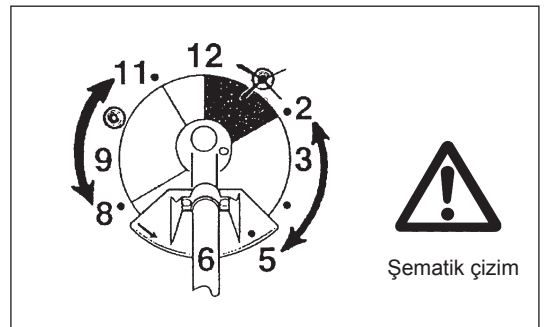
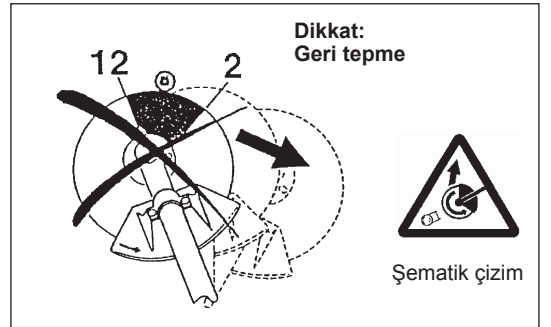
- Geri tepme (bıçak baskısı), takılan veya sıçrayan metal bıçağa verilen ani bir tepkidir. Geri tepme meydana geldiğinde, makine yana veya operatöre doğru büyük bir kuvvetle sıçrar ve ciddi yaralanmalara neden olabilir.
- Geri tepme özellikle bıçağın saat 12 ila saat 2 arasında kalan bölümünün çapı 3 cm veya daha geniş olan sert cisimlere, çalılara ve ağaçlara uygulanması sonucunda meydana gelir.
- Geri tepmeyi önlemek için:
 - Bıçağın saat 8 ila saat 11 arasında kalan bölümünü kullanın.
 - Kesinlikle bıçağın saat 12 ila saat 2 arasında kalan bölümünü kullanmayın.
 - Operatör eğitilmiş ve deneyimli değilse, kesinlikle bıçağın saat 11 ila saat 12 ve saat 2 ila saat 5 arasında kalan bölümlerini kullanmayın. Bıçağın bu bölümlerinin kullanılması tamamen operatörün risk ve sorumluluğundadır.
 - Metal bıçakları kesinlikle çit, duvar, ağaç kütükleri ve taşlar vb. gibi sert cisimlerin yakınında kullanmayın.
 - Metal bıçakları kenar kesimi veya çit budama vb. gibi işlemler için düşey olarak kullanmayın.

Titreşim

- Kan dolaşımı zayıf olan kişilerin aşırı titreşime maruz kalması, damarların veya sinir sisteminin zarar görmesine yol açabilir. Titreşim parmaklarda, ellerde ve bileklerde şu semptomlara neden olabilir: “Uyuşma” (hissizlik), karıncalanma, ağrı, batma hissi, cilt renginin veya cildin değişmesi. Bu semptomlardan herhangi biri ortaya çıkarsa, doktora başvurun!
- “Beyaz parmak hastalığı” riskini düşürmek için, çalışma sırasında ellerinizi sıcak tutun ve makine ve aksesuarların bakımını gerektiği şekilde gerçekleştirin.

Bakım talimatları

- Makinenizin servisinin daima yetkili servis merkezimizde yalnızca orijinal yedek parçalar kullanılarak yapılmasını sağlayın. Yanlış onarımlar ve bakım makinenin ömrünün kısalmasına ve kaza risklerinin artmasına yol açabilir.
- Çalışmaya başlanılmadan önce makinenin, özellikle de kesici parça koruyucu aletlerinin ve omuz askısının durumu kontrol edilmelidir. Özellikle metal bıçakların doğru şekilde bilendiği dikkatlice kontrol edilmelidir.
- Kesici parçaları değiştirirken veya bilerken ve ayrıca ataşmanı veya kesici parçayı temizlerken mutlaka motoru durdurun ve buji konektörünü çıkartın.



Hasarlı kesici parçaları kesinlikle düzleştirmeye çalışmayın veya kaynak yapmayın.

- Çevreye duyarlı olun. Kirliliğin ve gürültü emisyonunun azaltılması için kısma mandalını gereksiz yere kullanmaktan kaçının. Karbüratörü doğru şekilde ayarlayın.
- Makineyi düzenli aralıklarla temizleyin ve tüm vida ve somunlarının sağlam şekilde sıkıldığından emin olun.
- Çıplak alevlerin yakınında kesinlikle makineyi çalıştırmayın veya servis çalışması yapmayın.
- Makineyi daima yakıt deposu boşaltıldıktan sonra kilitle odalarda muhafaza edin.
- Makinenin temizlenmesi, servisi ve muhafaza edilmesi sırasında mutlaka metal bıçağın kapağını takın.



İlgili ticaret birlikleri ve sigorta şirketleri tarafından belirtilen kaza önleme talimatlarını dikkate alın. Güvenliğinizi riske atmamak için, makinede kesinlikle değişiklik yapmayın.

Kullanıcı tarafından gerçekleştirilecek bakım veya onarım çalışmaları yalnızca bu kullanım kılavuzunda açıklanan işlemlerle sınırlıdır. Diğer tüm çalışmalar Yetkili Servis Personeli tarafından gerçekleştirilecektir. Yalnızca MAKITA tarafından üretilen ve tedarik edilen orijinal yedek parçaları ve aksesuarları kullanın.

Onaylanmamış aksesuar ve parçaların kullanılması kaza riskini artırır.

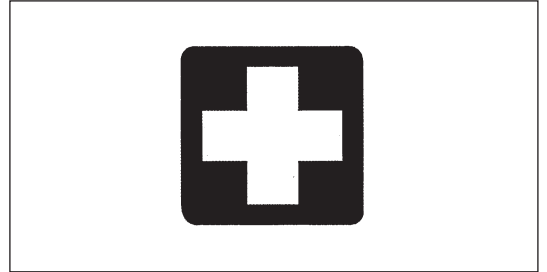
MAKITA, onaylanmamış kesici parçaların kullanımından ve cihaz, kesici parça veya aksesuarların takılmasından kaynaklanabilecek kaza ve hasarlardan dolayı sorumluluk kabul etmeyecektir.

İlk Yardım

Bir kaza durumuna karşı ilk yardım çantasının kesim çalışmasının yapıldığı yere yakın olduğundan emin olun. İlk yardım kutusundan bir şey alındığında derhal yerine yenisini koyun.

Yardım isterken, lütfen şu bilgileri verin:

- Kazanın yeri
- Ne olduğu
- Yaralı kişi sayısı
- Yaralanma tipi
- Adınız



Yalnızca Avrupa ülkeleri için

AT Uygunluk Beyanı

Makita Corporation, sorumlu üretici firma olarak, Makita marka makine/makineler ile ilgili şu hususları beyan eder:

Makinenin Adı: Benzinli yan tırpan
Model Numarası / Tipi: EM4351UH, EM4350UH, EM4350LH
Teknik Özellikler: bkz. "TEKNİK VERİLER" tablosu

seri üretimdir ve

Şu Avrupa Yönergelerine uygundur:

2000/14/EC, 2006/42/EC

Ve şu standartlara veya standartlaştırılmış belgelere uygun olarak üretilmiştir:

EN ISO 11806-1

Bu teknik doküman aşağıda açık adresi bulunan Avrupa'daki yetkili temsilcimiz tarafından saklanmaktadır:

Makita International Europe Ltd.,
Michigan Drive, Tongwell, Milton Keynes, Bucks MK15 8JD, İngiltere

2000/14/EC sayılı Direktif tarafından istenen uygunluk değerlendirme prosedürü, Ek V'e uygundur.

EM4351UH:

Ölçülen Ses Gücü Düzeyi: 111,9 dB

Garanti Edilen Ses Gücü Düzeyi: 113 dB

EM4350UH:

Ölçülen Ses Gücü Düzeyi: 112,1 dB

Garanti Edilen Ses Gücü Düzeyi: 113 dB

EM4350LH:

Ölçülen Ses Gücü Düzeyi: 110,7 dB

Garanti Edilen Ses Gücü Düzeyi: 112 dB

8. 9. 2011

Tomoyasu Kato
Müdür

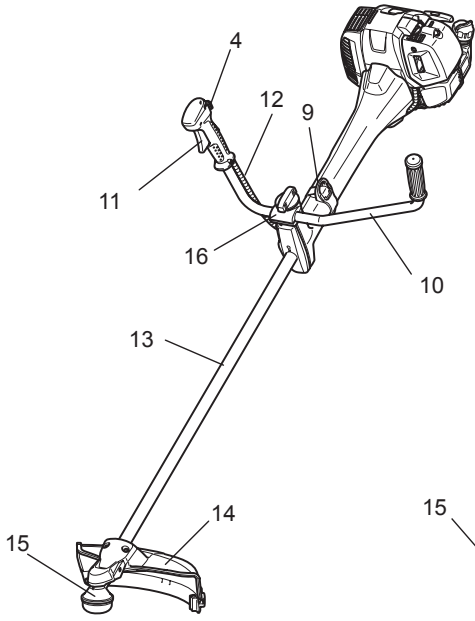
Makita Corporation
3-11-8, Sumiyoshi-cho,
Anjo, Aichi, JAPAN

TEKNİK VERİLER EM4351UH, EM4350UH, EM4350LH

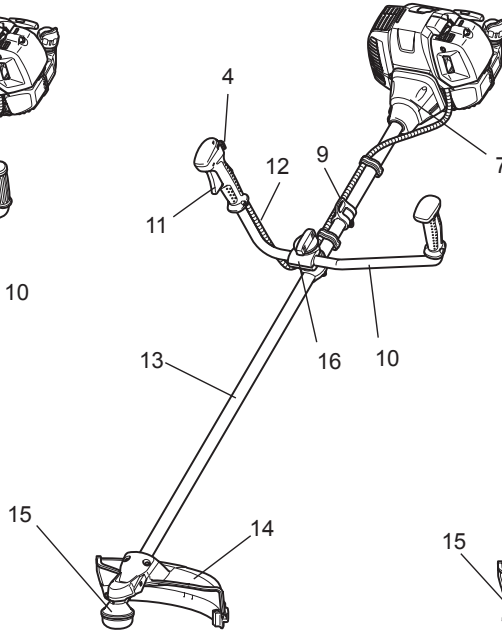
Model			EM4351UH	EM4350UH	EM4350LH					
Kol tipi			Bisiklet gidonu	Bisiklet gidonu	Yuvarlak kol					
Boyutlar: uzunluk x genişlik x yükseklik (kesici parça olmadan)			mm 1.812 x 618 x 528	1.812 x 635 x 460	1.812 x 339 x 250					
Ağırlık (plastik muhafaza ve kesici parça olmadan)			kg 8,6	8,3	7,9					
Hacim (yakıt deposu)			L	0,6						
Hacim (yağ deposu)			L	0,1						
Motor hacmi			cm ³	43,0						
Maksimum motor performansı			kW	1,5 dak ⁻¹ 'de 7.500						
Önerilen maks. mil hızında motor devri			dak ⁻¹	10.500						
Maksimum mil hızı (karşılık gelen)			dak ⁻¹	7.200						
Rölanti hızı			dak ⁻¹	3.000						
Kavrama hızı			dak ⁻¹	4.000						
Karbüratör			Diyafram tipi							
Ateşleme sistemi			Temassız, mıknatıs tipi							
Buji			tipi	NGK CMR6A						
Elektrot boşluğu			mm	0,7 - 0,8						
			KESİCİ BİÇAK	MİSİNALI KESİM BAŞLIĞI	KESİCİ BİÇAK	MİSİNALI KESİM BAŞLIĞI	KESİCİ BİÇAK	MİSİNALI KESİM BAŞLIĞI		
ISO 22867'ye göre titreşim	Sağ kol (Arka sap)	a_{hv} eş	m/sn ²	2,2	2,1	3,1	3,5	4,2	2,6	
		Belirsizlik (K)	m/sn ²	0,5	0,6	0,5	0,8	1,1	0,7	
	Sol kol (Ön sap)	a_{hv} eş	m/sn ²	1,7	2,0	4,8	4,0	3,8	3,7	
		Belirsizlik (K)	m/sn ²	0,5	0,5	2,9	0,9	1,0	1,4	
ISO 22868'e göre ortalama ses basıncı seviyesi			L_{PA} eş	dBA	92,4	96,2	91,2	96,1	92,8	94,9
			Belirsizlik (K)	dBA	1,8	2,0	2,2	1,6	1,6	2,1
ISO 22868'e göre ortalama ses gücü seviyesi			L_{WA} eş	dBA	101,8	108,9	103,1	109,1	103,4	107,7
			Belirsizlik (K)	dBA	1,8	1,4	1,1	1,1	1,5	1,2
Yakıt			Otomobil yakıtı (benzin)							
Motor Yağı			API derecesi SF sınıfı ve üzeri, SAE 10W-30 yağ (4 zamanlı otomobil motoru yağı)							
Kesici parçalar (kesici bıçak çapı)			mm	305 (üç bıçaklı)						
Dişli oranı			13/19							

PARÇALARIN GÖSTERİMİ

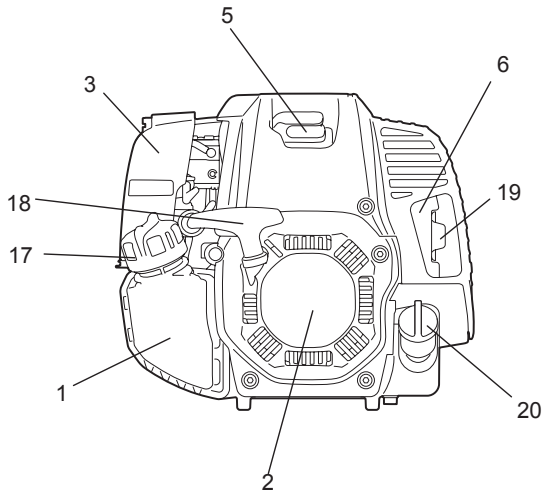
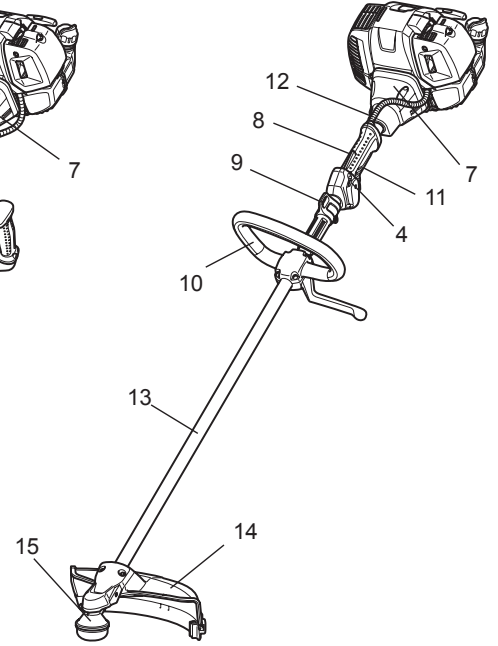
EM4351UH



EM4350UH



EM4350LH



TR	PARÇALARIN GÖSTERİMİ
1	Yakıt deposu
2	Manüel marş
3	Hava temizleyici
4	Açma/kapama ve kısma kilidi düğmesi (açık/kapalı)
5	Buji
6	Egzoz susturucusu
7	Kavrama kutusu
8	Arka sap
9	Kanca
10	Kol
11	Kısma mandalı
12	Kontrol kablosu
13	Şaft
14	Koruyucu (Kesici parça muhafazası)
15	Dişli Kutusu/Başlık kutusu
16	Kol yuvası
17	Yakıt deposu kapağı
18	Marş kolu
19	Egzoz borusu
20	Yağ kapağı

KOLUN TAKILMASI

DİKKAT: Makine üzerinde herhangi bir çalışma yapmadan önce, mutlaka motoru durdurun ve buji üzerindeki buji konektörünü çıkartın.
Daima koruyucu eldiven takın!

DİKKAT: Motoru yalnızca doğru şekilde monte ettikten sonra çalıştırın.

EM4351UH ve EM4350UH modeli için

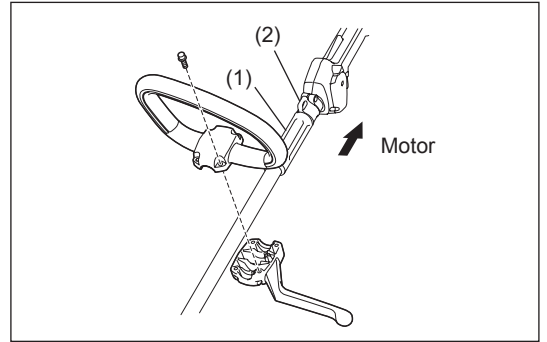
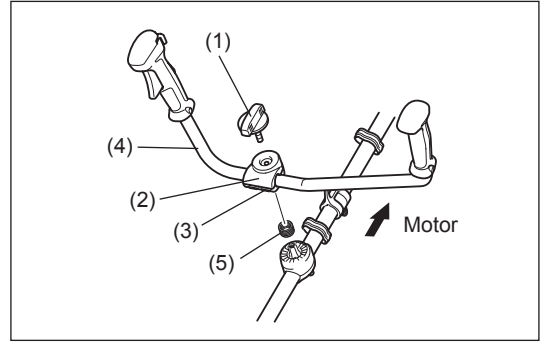
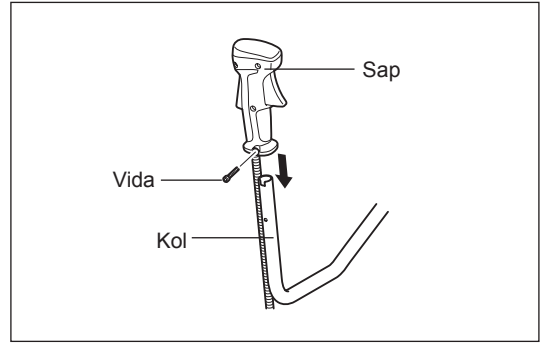
Kol şaftını şekilde gösterildiği gibi sapa yerleştirin.
Saptaki vida deliği ile şafttaki vida deliğini aynı hizaya getirin.
Vidayı sağlam şekilde sıkın.

- Kelebek vidayı (1) gevşetin.
- Kolu (4) kol kelepçesi (2) ile kol yuvası (3) arasına yerleştirin.
- Kolu (4) konforlu çalışma konumu sağlayacak bir açığa ayarlayın ve ardından kelebek vidayı (1) elinizle sağlam şekilde sıkın.

DİKKAT: Yayı (5) takmayı unutmayın.

EM4350LH modeli için

- Yuvarlak kolu dört adet vidayla şafta sabitleyin.
- Saplar arasında doğru mesafenin korunması için, kol yuvası ile kanca (2) arasına ara parçasını (1) yerleştirin.



KORUYUCUNUN TAKILMASI

İlgili güvenlik şartlarının sağlanması için, yalnızca tabloda belirtilen makine/koruyucu kombinasyonları kullanılmalıdır.

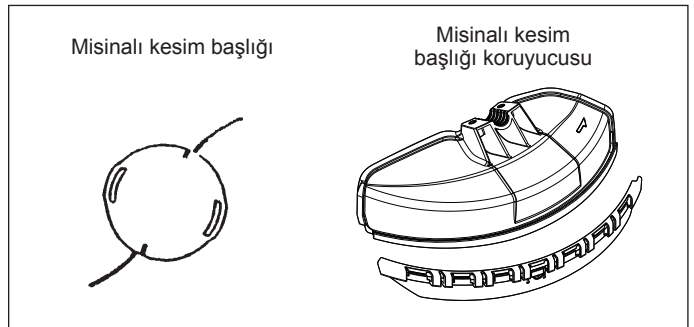
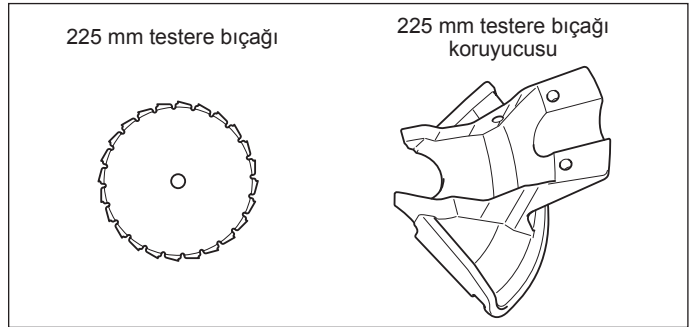
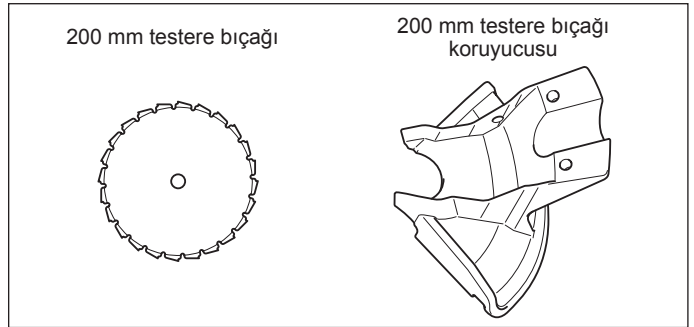
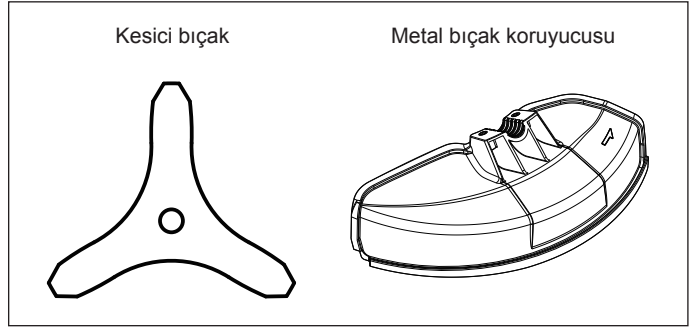


Orijinal MAKITA metal bıçaklar (testere bıçağı ve kesici bıçak dahil) veya misinalı kesim başlığı kullanıldığından emin olun.

- Metal bıçak mutlaka doğru şekilde yerleştirilmeli ve çatlak veya kırık içermemelidir. Metal bıçak çalışma sırasında taşa çarparsa, derhal motoru durdurun ve bıçağı kontrol edin.
- Her üç saatlik çalışma sonrasında metal bıçağı düzeltin veya değiştirin.
- Misinalı kesim başlığı çalışma sırasında taşa çarparsa, derhal motoru durdurun ve misinalı kesim başlığını kontrol edin.

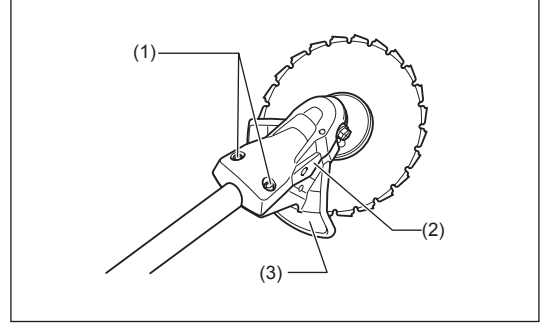
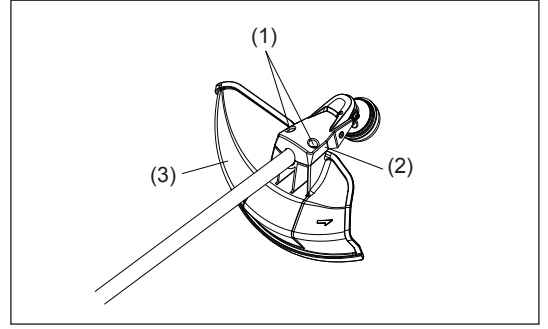
DİKKAT: Kaza önleme yönetmeliklerinin yerine getirilmesi ve kendi güvenliğiniz için mutlaka uygun koruyucu takılmalıdır. Makinenin, muhafazası takılmadan çalıştırılmasına kesinlikle izin verilmemelidir. Kesici bıçağın dış çapı mutlaka 300 mm (12") veya daha kısa olmalıdır. Dış çapı 300 mm'nin (12") üzerinde olan bıçakları kesinlikle kullanmayın. 200 mm testere bıçağı koruyucusunu yalnızca 200 mm testere bıçağı takılıken kullanın. 225 mm testere bıçağı koruyucusunu yalnızca 225 mm testere bıçağı takılıken kullanın. Testere bıçakları takılıken başka bir kombinasyon kullanmayın.

NOT: Standart kesici parça kombinasyonu ülkeden ülkeye değişir.



- Metal bıçak kullanılacaksa, koruyucuyu (3) iki adet cıvata (1) ile kelepçeye (2) sabitleyin.

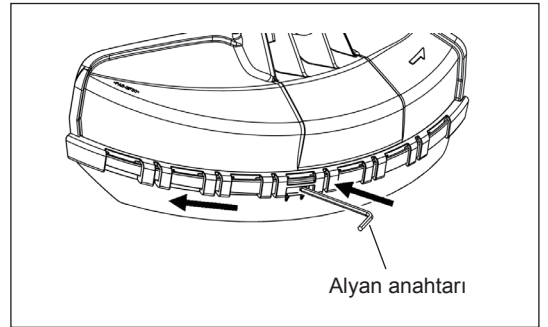
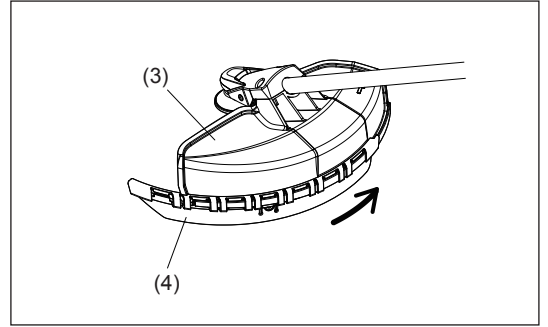
NOT: Sağ ve sol cıvataları, kelepçe (2) ile koruyucu (3) arasında sabit bir boşluk kalacak şekilde eşit biçimde sıkın.
Aksi takdirde, koruyucu işlevini gerektiği şekilde yerine getiremeyebilir.



- Misinalı kesim başlığı kullanılacaksa, metal bıçak koruyucusuna (3) misinalı kesim başlığı koruyucusunun (4) takıldığından emin olun.
- Misinalı kesim başlığı koruyucusunu (4) metal bıçak koruyucusunun (3) kenarından şekilde gösterildiği gibi kaydırarak yerine oturtun.
- Misinalı kesim başlığı koruyucusu (4) üzerinde bulunan ve misinanın kesilmesini sağlayan kesiciye yapıştırılmış olan bandı çıkartın.

DİKKAT: Misinalı kesim başlığı koruyucusunu (4) bastırarak yerine tam olarak oturduğundan emin olun.
Misinanın kesilmesi için kullanılan kesiciyle kendinizi yaralamamaya dikkat edin.

- Misinalı kesim başlığı koruyucusunu (4) çıkarmak için, metal bıçak koruyucusu (3) üzerindeki tırnağa bir Alyan anahtarı yerleştirin ve Alyan anahtarını bastırarak misinalı kesim başlığı koruyucusunu (4) kaydırın.



METAL BIÇAĞIN VEYA MİSİNALI KESİM BAŞLIĞININ TAKILMASI

Orijinal MAKITA metal bıçaklar veya misinalı kesim başlığı kullanıldığından emin olun.

- Metal bıçak mutlaka doğru şekilde yerleştirilmeli ve çatlak veya kırık içermemelidir. Metal bıçak çalışma sırasında taşa çarparsa, derhal motoru durdurun ve bıçağı kontrol edin.
- Her üç saatlik çalışma sonrasında metal bıçağı düzeltin veya değiştirin.
- Misinalı kesim başlığı çalışma sırasında taşa çarparsa, derhal motoru durdurun ve misinalı kesim başlığını kontrol edin.

DİKKAT: Kaza önleme yönetmeliklerinin yerine getirilmesi ve kendi güvenliğiniz için mutlaka uygun koruyucu takılmalıdır. Makinenin, muhafazası takılmadan çalıştırılmasına kesinlikle izin verilmemelidir. Kesici bıçağın dış çapı mutlaka 300 mm (12") veya daha kısa olmalıdır. Dış çapı 300 mm'nin (12") üzerinde olan bıçakları kesinlikle kullanmayın.

Makineyi baş aşağı çevirdikten sonra metal bıçağı veya misinalı kesim başlığını kolayca değiştirebilirsiniz.

- Alyan anahtarını dişli kutusundaki delikten sokun ve Alyan anahtarıyla alıcı pulu (4) kilitlemeye kadar çevirin.
- Somunu (1) (sol tarafı dişlidir) lokma anahtarıyla gevşetin ve somunu (1), kapağı (2) ve kelepçe pulunu (3) çıkartın.

Metal bıçağın Alyan anahtarıyla yerine sabitlenmesi

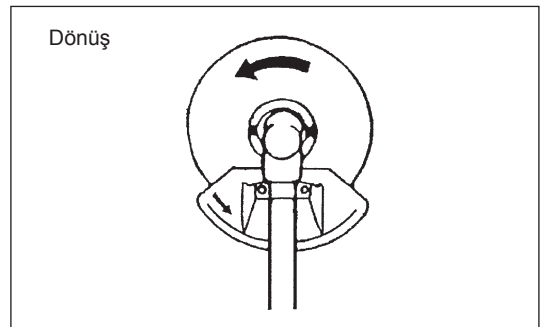
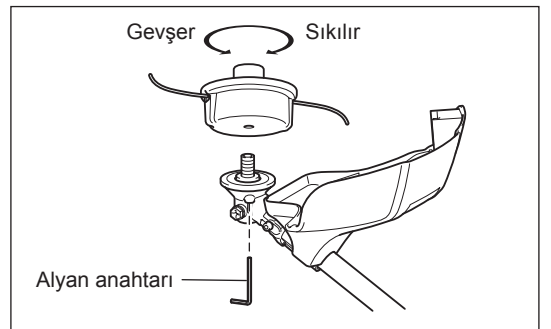
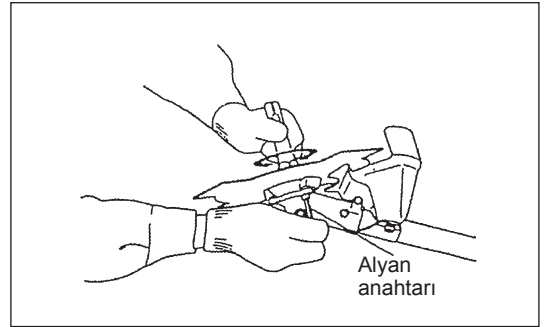
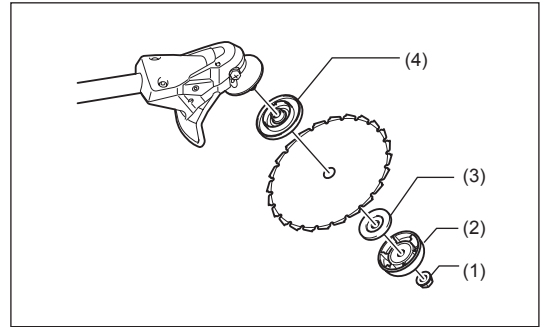
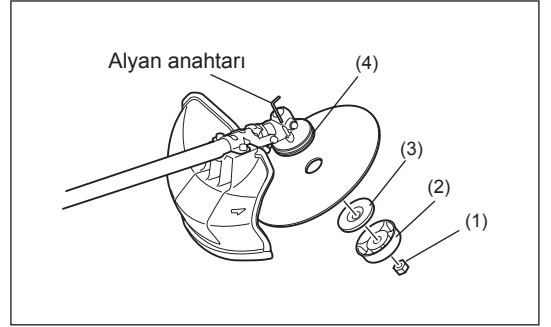
- Metal bıçağı, alıcı pulun (4) çıkıntılı kısmı metal bıçak üzerindeki deliğe tam oturacak şekilde şafta takın. Kelepçe pulunu (3) ve kapağı (2) takın ve metal bıçağı somunu (1) sıkarak sabitleyin.
[Sıkma torku: 20 - 30 N-m]

NOT: Metal bıçağı tutarken mutlaka eldiven takın.

NOT: Metal bıçak tespit somunu (yaylı pulla birlikte) aşınabilir bir parçadır. Yaylı pul üzerinde herhangi bir aşınma veya deformasyon tespit ederseniz, somunu değiştirin.

Misinalı kesim başlığının takılması

- Misinalı kesim başlığının takılması için kelepçe puluna (3), kapağı (2) ve somuna (1) gerek yoktur. Misinalı kesim başlığı, alıcı pulu (4) üzerine gelmelidir.
- Alyan anahtarını dişli kutusundaki delikten sokun ve Alyan anahtarıyla alıcı pulu (4) kilitlemeye kadar çevirin.
- Ardından, misinalı kesim başlığını saat yönünün tersine çevirerek şafta vidalayın.
- Alyan anahtarını çıkartın.



ÇALIŞMAYA BAŞLAMADAN ÖNCE

Motor yağının kontrolü ve doldurulması

- Aşağıdaki prosedürü motor soğuduktan sonra uygulayın.
- Motorun yatay düz bir yüzey üzerinde durduğundan ve yağ seviyesinin, yağ göstergesinin alt ve üst sınırları arasında bulunduğundan emin olun.
- Yağ seviyesi alt sınırın altına düşmüşse, yağ kapağını çıkartın ve yağ ilave edin.
- Dış çizgilerin etrafındaki alan şeffaftır, bu nedenle içerideki yağ miktarı yağ kapağının çıkartılmasına gerek kalmaksızın dışarıdan kontrol edilebilir. Ancak, yağ borusu çok kirlendiğinde görüş kaybolabilir; bu durumda yağ seviyesinin, yağ borusunun içerisindeki kademeli bölümden kontrol edilmesi gerekir.
- Yağı yaklaşık her 10 saatlik çalışma (her 10 yakıt doldurma işlemi) sonrasında doldurmanız gerekebilir. Yağın rengi değişir veya içerisine pislik karışırsa, yağı tamamen değiştirin. (Yağ değiştirme sıklığı ve yöntemi için, bkz. sayfa 256.)

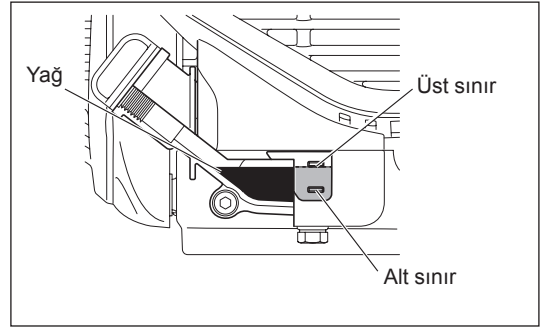
Önerilen yağ: API Sınıfı SAE 10W-30, SF Sınıfı ve üzeri (4 zamanlı otomobil motoru)

Yağ hacmi: Yaklaşık 0,10L

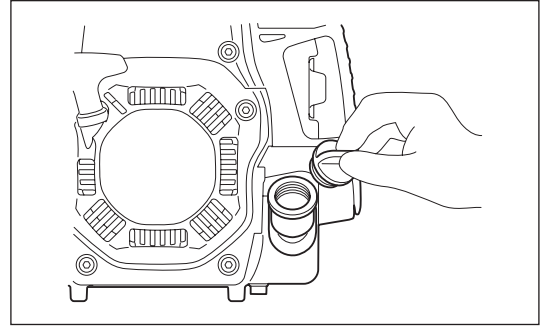
NOT: Motor şekilde gösterildiği gibi yatay bir zemin üzerinde durmuyorsa, yağ seviyesi göstergesi yanlış olabilir ve neticesinde gerekenden fazla yağ doldurulabilir. Yağın üst sınırı geçecek şekilde doldurulması yağın kirlenmesine ve/veya çalışma sırasında beyaz duman çıkmasına neden olabilir.

Yağın değiştirilmesi: “Yağ kapağı”

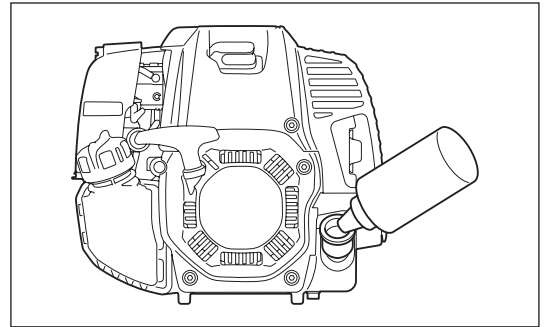
- Yağ doldurma deliğinin etrafındaki tozları ve kirleri temizleyin ve yağ kapağını çıkartın.
- Çıkartılan yağ kapağına kum veya toz bulaşmasına izin vermeyin. Aksi takdirde, yağ kapağına bulaşan kum veya toz düzensiz yağ sirkülasyonuna veya motor parçalarında aşınmaya ve neticesinde arızalara yol açabilir.



(1) Motoru düz tutun ve yağ kapağını çıkartın.



(2) Üst sınır çizgisine kadar yağ doldurun.
Yağ doldururken uygun bir yağ kabı kullanın.



(3) Yağ kapağını sağlam şekilde sıkın. Yeterince sıkılmaması, yağ kaçağına neden olabilir.

Not

- Motordaki yağı yatık bir konumda değiştirmeyin.
- Motor yatık vaziyetteyken yağ doldurulması, aşırı miktarda yağ doldurulmasına ve neticesine yağ kirlenmesine ve/veya çalışma sırasında beyaz duman çıkmasına yol açabilir.

Yağ doldurulduktan sonra

- Dökülen yağı derhal bir bez parçasıyla temizleyin.

YAKIT DOLDURMA

Yakıtın taşınması

Yakıtın mutlaka çok dikkatli bir şekilde taşınması gerekir. Yakıtlar, çözücülere benzer maddeler içerebilir. Yakıt doldurma işlemi mutlaka yeterince havalandırılan bir odada veya açık havada gerçekleştirilmelidir. Yakıt buharını kesinlikle solumayın ve yakıtı kendinizden uzakta tutun. Yakıtı sürekli veya uzun bir süre temas ederseniz, cildiniz kuruyabilir ve neticesinde cilt hastalıkları veya alerjisi meydana gelebilir. Yakıt gözünüze kaçarsa, gözünüzü temiz suyla yıkayın. Gözünüzdeki tahrişin devam etmesi halinde, doktora başvurun.

Yakıt saklama süresi

İyi havalandırılan ve doğrudan güneş görmeyen bir yerde özel bir kapta saklansa bile yakıtın 4 hafta içerisinde tüketilmesi gerekir. Aksi takdirde, yakıt bir günde bozulabilir.

MAKİNEİNİN MUHAFAZASI VE DEPONUN DOLDURULMASI

- Makineyi ve depoyu doğrudan güneş ışığı almayan, serin bir yerde muhafaza edin.
- Kesinlikle yakıtı araç içerisinde tutmayın.

Yakıt

Makinede dört zamanlı bir motor bulunur. 87 oktan ve üzeri ((R+M)/2) kurşunsuz otomobil benzini kullanıldığından emin olun. Alkol içeriği maksimum %10 (E-10) olmalıdır.

Yakıtla ilgili uyarılar

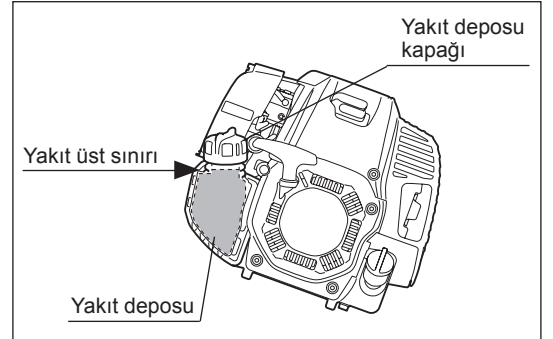
- Kesinlikle motor yağı içeren benzin karışımları kullanmayın. Aksi takdirde, aşırı karbon birikimi veya mekanik hasarlar meydana gelebilir.
- Bozulmuş yakıt kullanılması, çalıştırma sorunlarına yol açabilir.

Yakıt doldurma

UYARI: Yakıt doldurmaya başlamadan önce motoru kapatın, makineyi açık alevlerden uzaklaştırın ve sigara içmeyin.

- Depo basıncını boşaltmak için depo kapağını bir miktar gevşetin.
- Depo kapağını çıkartın ve yakıt doldurun. Bu işlem sırasında yakıt doldurma deliği yukarı bakacak şekilde yakıt deposunu eğerek depo içerisinde havanın boşalmasını sağlayın. Deponun üst noktasına kadar yakıt DOLDURMAYIN.
- Yabancı maddelerin yakıt deposuna girmesini önlemek için, depo kapağının çevresini iyice temizleyin.
- Yakıt doldurduktan sonra, depo kapağını sıkıca kapatın.

- Depo kapağında kusur veya hasar varsa, değiştirin.
- Depo kapağı zamanla aşınır. Her iki veya üç yılda bir değiştirin.
- Yağ doldurma deliğinden yakıt DOLDURMAYIN.



MAKİNEİNİN DOĞRU TAŞINMASI VE TUTULMASI

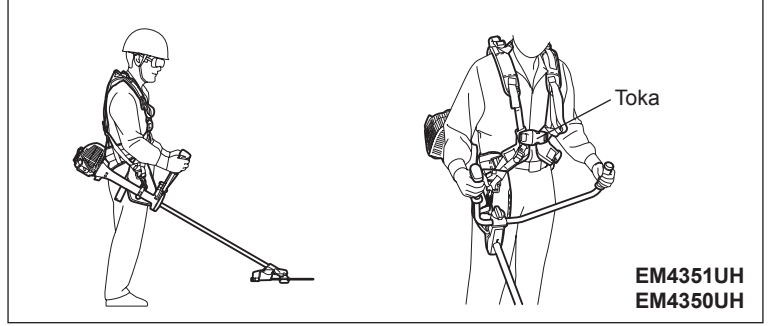
Omuz askısının takılması

- Askı uzunluğunu metal bıçak, zemine paralel duracak şekilde ayarlayın.

EM4351UH ve EM4350UH için

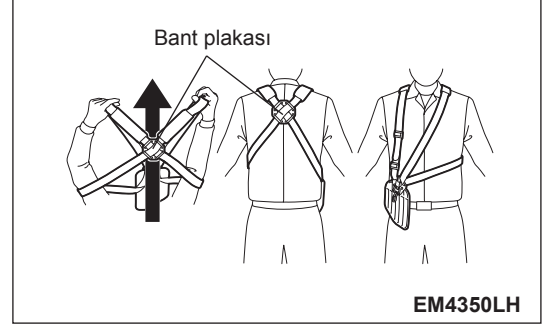
Kemerini belinize tutun, tokayı geçirin ve ardından bantların uzunluğunu ayarlayın.

NOT: Kıyafetlerinizin tokaya vs. takılmaması için dikkatli olun.



EM4350LH için

- 1) Bant plakası size yakın olacak şekilde durun. Kollarınızı ve başınızı banttan geçirin.
- 2) Kemerini doğru şekilde taktığınızda, bant plakası sırtınıza oturur ve ayar elemanları ve kanca vücudunuzun sağ tarafına gelir.



Makinenin çıkartılması

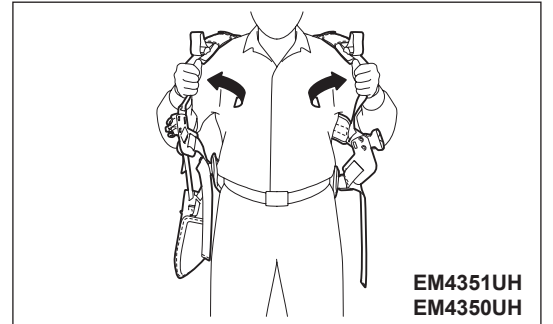
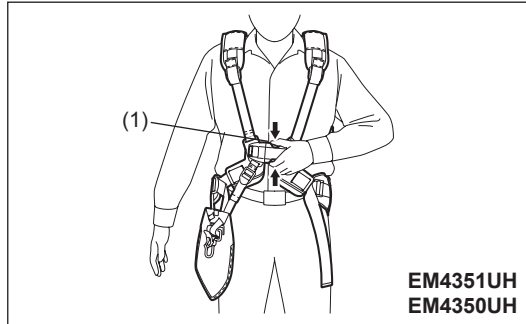
EM4351UH ve EM4350UH için

- Makineyi çıkarmak için, tokanın (1) yan taraflarına bastırın ve omuz askısını çıkartın.

Bu sırada makinenin kontrolünü kaybetmemek için çok dikkatli olun.

Makinenin size veya çevredeki insanlara doğru savrulmasına izin vermeyin.

UYARI: Makinenin tam olarak kontrol edilememesi halinde, ciddi yaralanmalar ve hatta ÖLÜMLÜ kazalar meydana gelebilir.



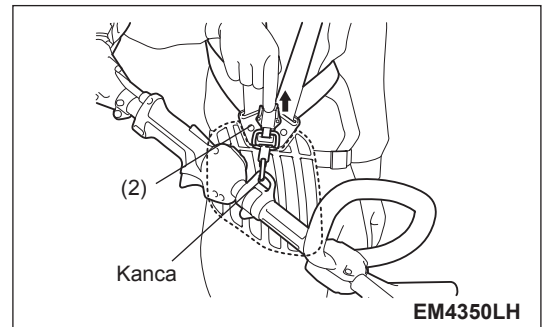
EM4350LH için

- Makineyi çıkarmak için, parmaklarınızla güçlü şekilde çekerek acil ayırma mandalını (2) serbest bırakın.

Bu sırada makinenin kontrolünü kaybetmemek için çok dikkatli olun.

Makinenin size veya çevredeki insanlara doğru savrulmasına izin vermeyin.

UYARI: Makinenin tam olarak kontrol edilememesi halinde, ciddi yaralanmalar ve hatta ÖLÜMLÜ kazalar meydana gelebilir.



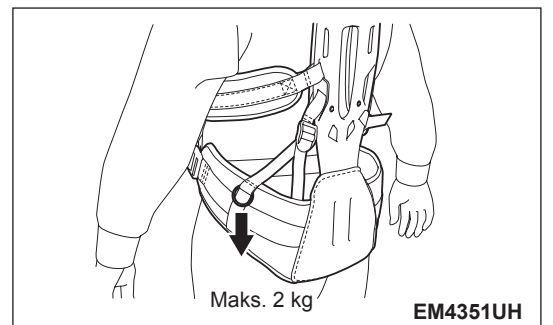
Askı kancası

EM4351UH için

- 2 kg'dan (4,4 lbs) daha hafif şeyleri asmak için halkayı kullanabilirsiniz.

İKAZ: Halka üzerine ağırlığı 2 kg'ın (4,4 lbs) üzerinde hiçbir şey asmayın. Aksi takdirde, halkaya astığınız şey düşerek hasar görebilir.

DİKKAT: Halka üzerine çalılara veya fundalara takılabilecek hiçbir şey asmayın. Aksi takdirde, denge ve kontrol kaybı neticesinde yaralanmalar meydana gelebilir.

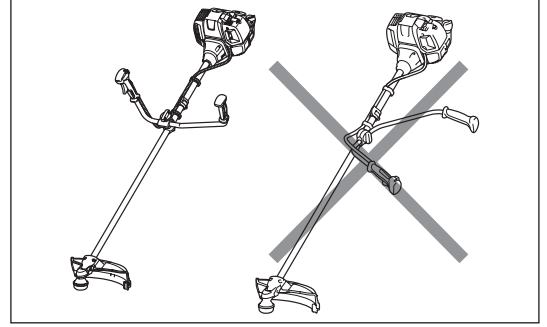


ÇALIŞTIRMA VE DURDURMAYLA İLGİLİ UYARILAR

İlgili kaza önleme yönetmeliklerini dikkate alın!



Motoru çalıştırmadan önce, kolu mutlaka uygun bir konuma ayarlayın. Aksi takdirde, kısma mandalı çekilerek veya bükülerek kısma mandalını açabileceğinden kesici parça aniden dönebilir ve yaralanmalara yol açabilir.

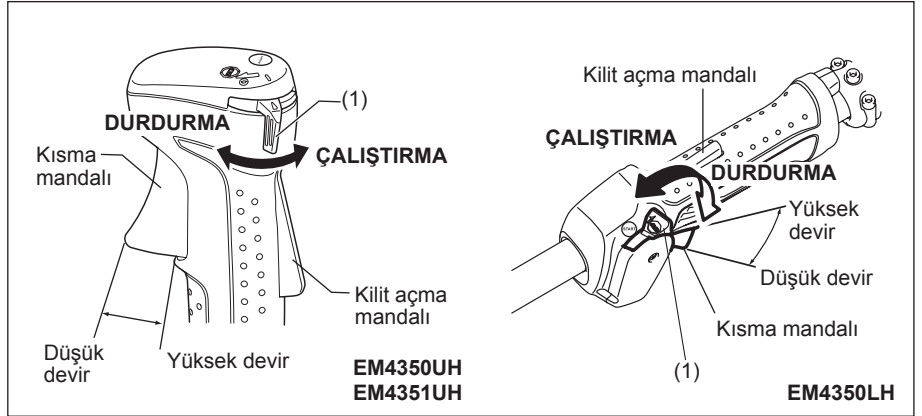


ÇALIŞTIRMA

Makineyi yakıt doldurduğunuz yerden en az 3 metre uzağa taşıyın. Makineyi yere koyarken kesici parçanın, zeminle veya diğer yabancı cisimlerle temas etmemesine dikkat edin.

A: Soğuk çalıştırma

- 1) Makineyi düz bir zemin üzerine yerleştirin.
- 2) Açma/kapama düğmesini (1) ÇALIŞTIRMA konumuna getirin.

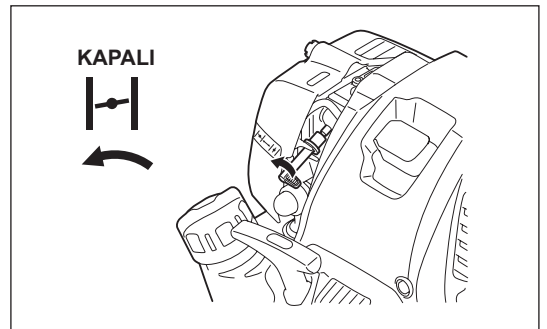


- 3) Jikle kolu

Jikle kolunu kapatın.

Jikle açıklığı:

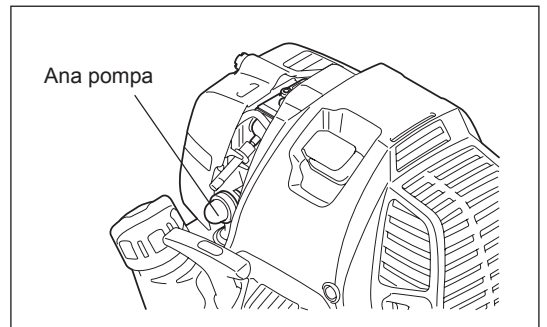
- Hava veya motor soğukken tam kapalı.
- Örneğin motorun ısınma çalışması sırasında durdurulduktan hemen sonra tekrar çalıştırılması vb. gibi motorun bir miktar sıcak olduğu durumlarda tam veya yarı açık.



- 4) Ana pompa

Yakıt ana pompaya girene kadar ana pompaya bastırmaya devam edin. (Genellikle 7 ila 10 defa bastırmanız yeterlidir.)

Ana pompaya çok fazla basılırsa, fazla benzin yakıt deposuna geri döner.

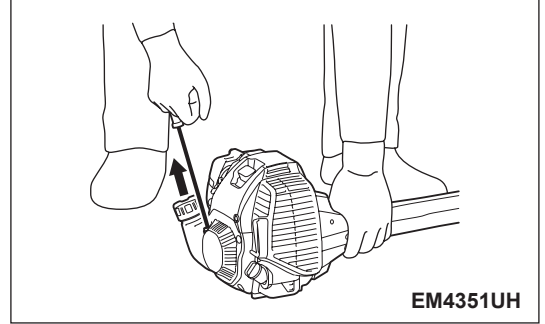
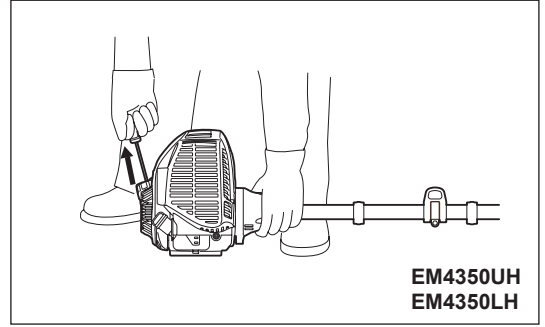


5) Manüel marş

Her zaman yere sağlam ve dengeli bastırınızdan emin olun.
Üniteyi sol elinizle ve sağlam şekilde yere doğru bastırarak tutun.

DİKKAT: Kısmı kablosu üzerine ayağınızla veya dizinizle bastırmayın.
Aksi takdirde, dahili tel çekilebilir ve kesici parça istem dışı şekilde dönmeye başlayabilir.
Kısmayı açmayın.

Belirli bir direnç hissedene kadar marş kolunu yavaşça çekin. Ardından, marş kolunu bırakın ve bu sefer güçlü bir şekilde çekin.
İpi kesinlikle sonuna kadar çekmeyin. Marş kolunu çektikten sonra hemen bırakmayın. Marş kolu başlangıçtaki konumuna dönene kadar bekleyin.



6) Jikle kolu

Motor çalıştıktan sonra, jikle kolunu AÇIK konuma getirin.

- Bir yandan motorun çalışmasını kontrol ederken, jikle kolunu kademeli bir şekilde açın. Sonunda jikle kolunun tam açık konumuna kadar açıldığından emin olun.

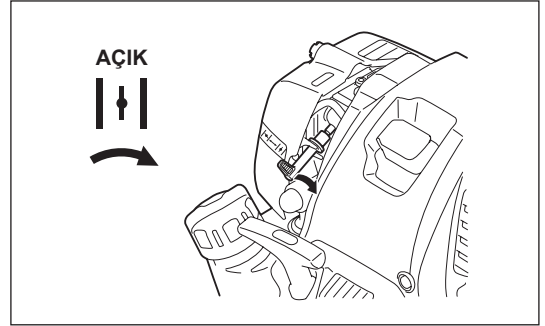
- Hava veya motor soğurken, kesinlikle jikle kolunu birden açmayın. Aksi takdirde, motor durabilir.

7) Isıtma çalıştırması

Isıtma çalıştırmasını 2 ila 3 dakika boyunca sürdürün.

İKAZ: Motor çalışmıyorken kısma mandalını gereksiz yere çekmeyin.

Aksi takdirde, hava temizleyicisinden yakıt kaçağı meydana gelebilir.
Böyle bir durumda sızan yakıtı temizleyin. Ayrıca, hava temizleyicisi kapağını açın ve elemanı ve hava temizleyicisi plakasını temizleyin.



NOT:

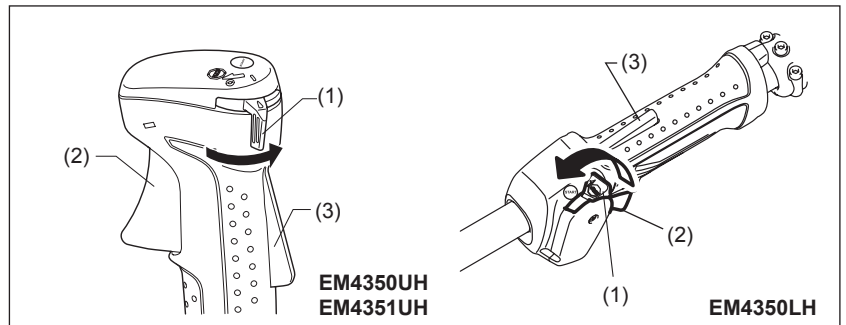
- Motor çalışmıyorken kısma mandalını gereksiz yere çekmeyin. Aksi takdirde, motorun yakıtla boğulmasına ve motorun zor çalıştırılmasına neden olabilir.
- Yakıtın taşması durumunda, bujiyi çıkartın ve marş kolunu yavaşça çekerek fazla yakıtı boşaltın. Ayrıca, bujinin elektrot bölümünü kurutun.
- Motor ateşlenip duruyorsa veya çalıştıktan hemen sonra duruyorsa, jikle kolunu AÇIK konuma geri getirin ve motoru çalıştırmak için marş kolunu birkaç defa çekin.
- Jikle kolu KAPALI konumda bırakılırsa ve marş kolu arka arkaya çok fazla çekilirse, çok fazla yakıt emilir ve motorun çalışması zorlaşır.
- Motoru ısınma çalışması sırasında gereksiz yere zorlamayın.

B: Sıcak çalıştırma

- 1) Jikle kolunu tam açık konumda tutun.
- 2) Ana pompaya arka arkaya bastırın.
- 3) Kısmı mandalını rölanti konumunda tutun.
- 4) Manüel marş güçlü bir şekilde çekin.
- 5) Motorun çalıştırılmasında zorlanırsanız, kilit açma mandalını (3) bırakın, kısma mandalını (2) çekin ve açma/kapama düğmesini (1) kısma kilidi konumuna getirin. Açma/kapama düğmesini (1) tutarken, kısma mandalını (2) ve kilit açma mandalını (3) bırakın. Ardından, marş kolunu çekin.

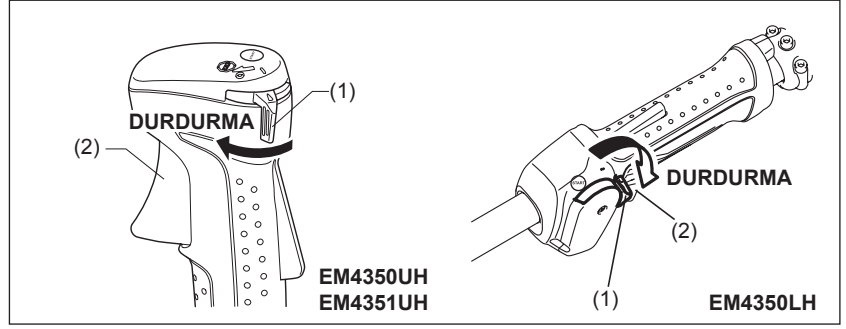
UYARI: Kesici parçanın hemen dönmeye başlayacağına dikkat edin.

- 6) Motor çalıştıktan sonra, kilit açma mandalını (3) bırakın, kısma mandalını (2) çekin ve ardından motorun rölantide çalışmasını sağlamak üzere bu mandalları bırakın.



DURDURMA

- 1) Kısma mandalını (2) tam olarak açın ve motor dvr/dak değeri düştüğünde açma/kapama düğmesini (1) DURDURMA (STOP) konumuna getirin; motor derhal duracaktır.
- 2) Motor durdurulduktan sonra kesici parça bir süre dönmeye devam eder. Kesici parça tamamen duruncaya kadar bekleyin.

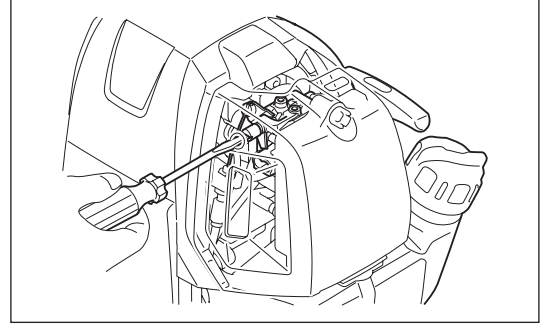


RÖLANTİ HIZININ AYARLANMASI

Rölanti hızının ayarlanması gerekiyorsa, bu işlemi karbüratör ayar vidasıyla gerçekleştirin.

RÖLANTİ HIZININ KONTROLÜ

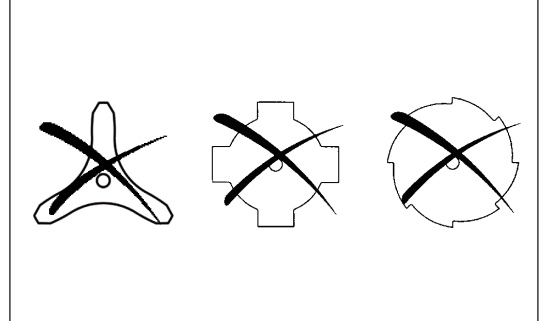
- Rölanti hızını 3.000 dak⁻¹ olarak ayarlayın.
Rölanti hızının ayarlanması gerekiyorsa, sağ taraftaki şekilde gösterildiği gibi yıldız uçlu bir tornavida ile vidayı ayarlayın.
- Rölanti hızını yükseltmek için, ayar vidasını saat yönünde çevirin.
Rölanti hızını düşürmek için, ayar vidasını saat yönünün tersine çevirin.
- Karbüratör fabrikada ayarlanmıştır. Ancak, birkaç kullanımdan sonra rölanti hızının tekrar ayarlanması gerekir.



KESİCİ PARÇANIN BİLENMESİ

DİKKAT: Şekilde gösterilen kesici parçalar bilenmez. Yetkili olmayan kişilerce yapılan bileme işlemleri, kesici parçanın dengesiz çalışmasına ve dolayısıyla makine titreşimlerine ve hasarlarına neden olabilir.

NOT: Daha uzun bir kullanım ömrü için, kesici bıçak her iki kesici kenarı da eşit şekilde körleşecek şekilde bir kere ters çevrilebilir.



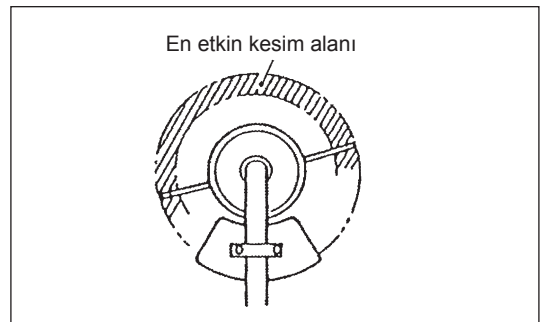
MİSİNALI KESİM BAŞLIĞI

Misinalı kesim başlığı, çarpmalı besleme mekanizmasına sahip bir çift misinalı tırpan başlığıdır.

Misinalı kesim başlığı, dvr/dak değerinin artması veya azalması nedeniyle santrifüj kuvvetinde oluşan değişikliklere göre misinalı kesim başlığının yere çarpılmasıyla doğru uzunlukta ayarlanır.

Çalıştırma

- Misinalı kesim başlığının hızını yaklaşık 6.000 dak⁻¹ değerine yükseltin.
Misinalı kesim başlığının hafifçe yere vurun.
- Şekildeki taralı alan en etkin kesim alanını gösterir.
- Misina beslenmezse, "Misinanın değiştirilmesi" başlıklı bölümde açıklanan prosedürleri takip ederek misinayı geri sarın/değiştirin.



Misinin deęiřtirilmesi (ÇARPMA ve BESLEME)

UYARI: Misinalı kesim bařlıęı kapaęının ařaęıda açıklandığı gibi muhafazaya doęru řekilde sabitlendięinden emin olun. Kapaęın saęlam řekilde takılmaması, misinalı kesim bařlıęının ıkarak ciddi yaralanmalara yol amasına neden olabilir.

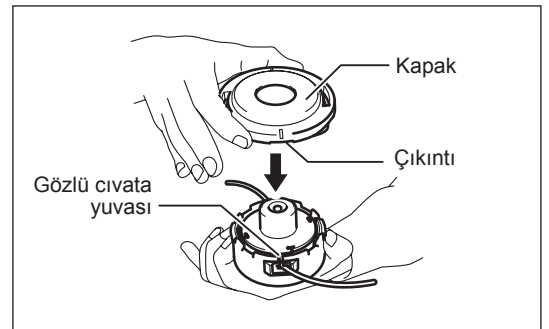
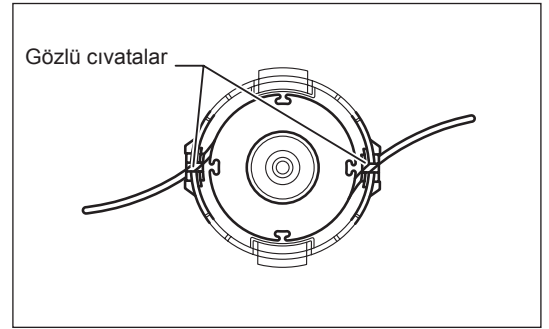
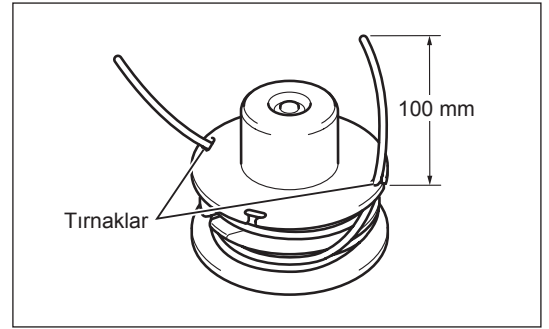
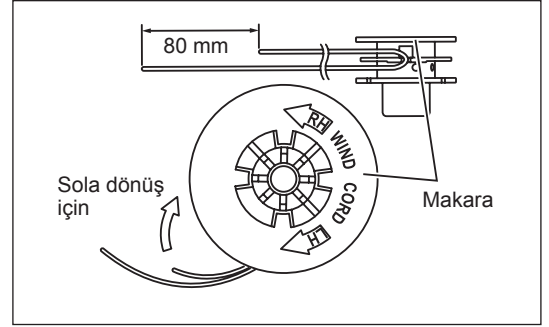
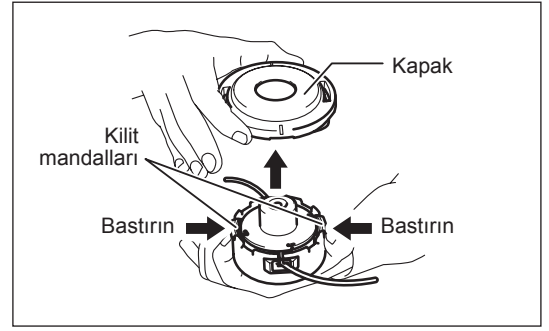
Kapaęı ıkarmak iin, muhafaza kilitlerini ieri doęru bastırdıktan sonra ekin. Kalan misinayı atın.

Yeni misinanın ortasını makara merkezine misinanın geirilmesi iin yerleřtirilen 2 kanalı arasındaki tırnaktan geirin. Misinanın bir ucu, dięer ucundan yaklařık 80 mm daha uzun olmalıdır. Misinanın her iki ucunu bařlık zerinde sol tarafta LH ile gsterilen ynde makara etrafına sıkıca sarın.

100 mm kalana kadar misinanın tamamını sarın ve bu sırada misina ularının geici olarak makaranın kenarındaki tırnakta takılı kalmasını saęlayın.

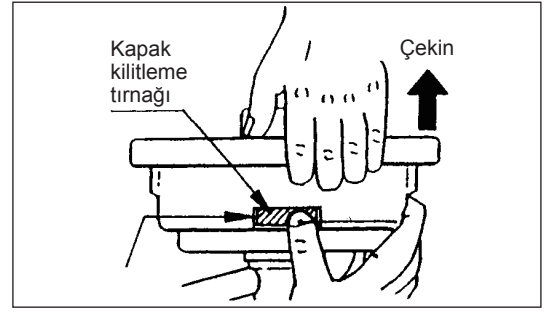
Makarayı, makara zerindeki yuva ve ıkıntılar muhafaza zerindekilerle eřleřecek řekilde muhafazaya yerleřtirin. Makara zerinde harflerin yazılı olduęu tarafın sten grnr olmasına dikkat edin. Ardından, misinanın ularını geici konumlarından ıkartın ve bu uları, muhafazadan ıkması iin gzl cıvata deliklerinden geirin.

Kapaęın altındaki ıkıntıyla gzl cıvata yuvalarını aynı hizaya getirin. Ardından, sabitlemek zere kapaęı muhafazaya sıkıca bastırın. Kilit mandallarının kapaęa tam olarak oturduęundan emin olun.

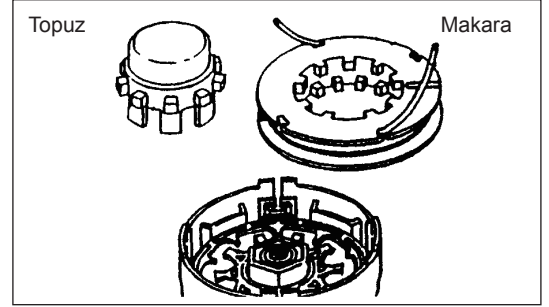


Misinin deęiřtirilmesi (ULTRA OTOMATİK)

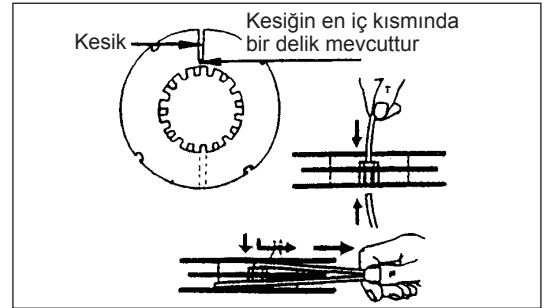
1. Muhafazanın kenarlarında karřı karřıya duran iki adet kapak kilitleme tırnaęını bastırarak muhafaza kapaęını ıkartın.



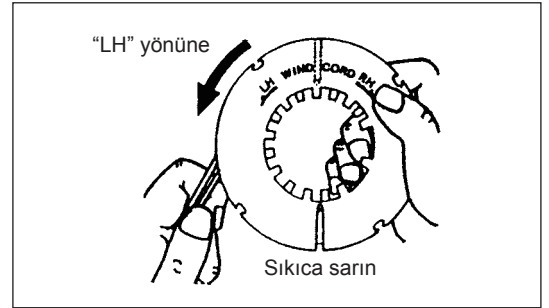
2. Topuzu ve makarayı muhafazadan ıkartın.



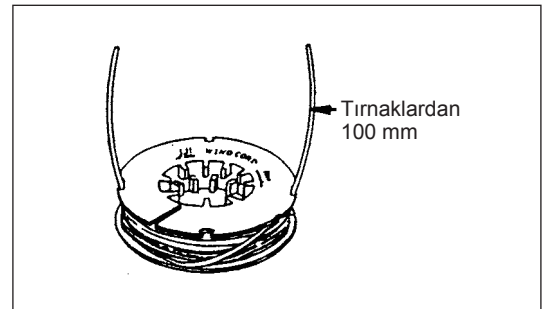
3. İki misinanın birer ucunu dıř makara flanřlarının biri üzerinde yuvanın en i tarafındaki deliklere sokun. Misinaları flanřlar üzerindeki kesiklerden geirerek makara kanalına yerleřtirin.



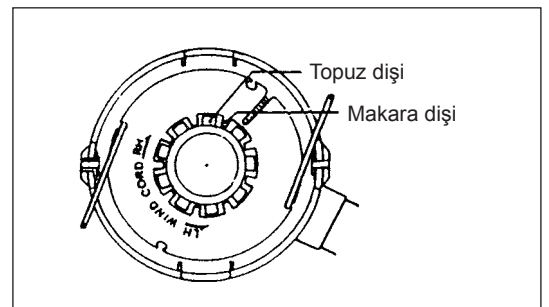
4. Misinaları flanř üzerinde sol tarafta gsterilen (LH) ok ynnde sıkıca sarın. Misinaların karıřmamasına dikkat edin.



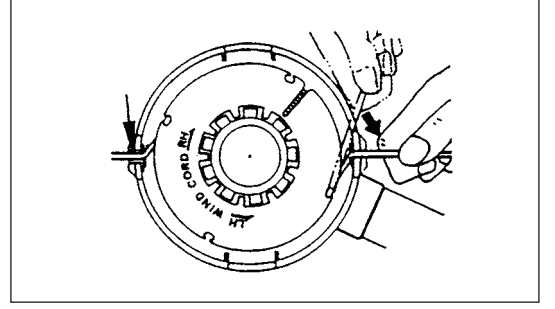
5. 100 mm (3-15/16") kalana kadar Misinanın tamamını sarın ve bu sırada misina ucunun geici olarak makaranın kenarındaki tırnaкта takılı kalmasını saęlayın.



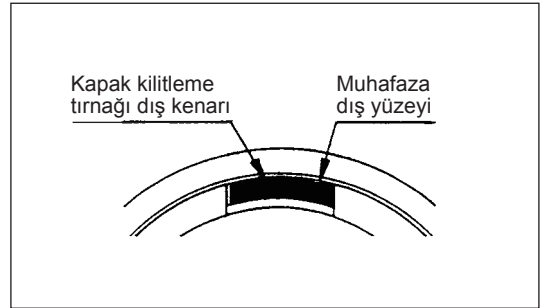
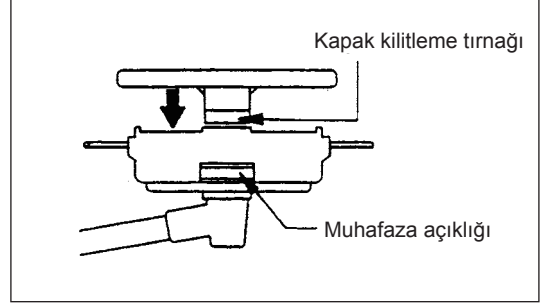
6. Topuzu muhafazanın ortasına yerleřtirin ve yay gerilimine karřı yukarı ve ařaęı ynde serbeste hareket ettięinden emin olun. Makarayı, makara ve topuz üzerindeki diřleri, diřlilerde olduęu gibi st ste binecek řekilde muhafazaya yerleřtirin.



7. Misinaları gözlü cıvata deliklerinden geçirin.



8. Kapak üzerindeki tırnakların muhafaza üzerindeki açıklıklara karşılık geldiğinden emin olarak kapağı muhafazaya yerleştirin. Kapağın muhafazaya sağlam şekilde oturduğundan emin olun. Kapak kilitleme tırnağının dış kenarı ile muhafazanın dış yüzeyi aynı tarafta bulunmalıdır.



SERVİS TALİMATLARI

DİKKAT: Makine üzerinde herhangi bir çalışma yapmadan önce, mutlaka motoru durdurun ve buji konektörünü bujiden çıkartın (bkz. "bujinin kontrolü").
Daima koruyucu eldiven takın!

Makinenin uzun ömürlü olması ve olası hasarların önlenmesi için, düzenli aralıklarla aşağıda açıklanan servis çalışmaları gerçekleştirilmelidir.

Günlük kontrol ve bakımlar

- Çalışmaya başlamadan önce, makinede gevşek vida veya eksik parça olup olmadığını kontrol edin. Özellikle, metal bıçak veya misinalı kesim başlığının doğru şekilde sıkılmasına dikkat edin.
- Çalışma öncesi mutlaka soğutucu hava geçişinin ve silindir kanatlarının tıkalı olmadığını kontrol edin. Gerekirse, bu parçaları temizleyin.
- Her gün kullanım sonrası şu işlemleri gerçekleştirin:
 - Makinenin dış kısmını temizleyin ve hasar olup olmadığını kontrol edin.
 - Hava filtresini temizleyin. Aşırı tozlu ortamlarda çalışıyorsanız, filtreyi günde birkaç defa temizleyin.
 - Bıçakta veya misinalı kesim başlığında hasar olmadığını ve bu parçaların sağlam şekilde takıldığını kontrol edin.
 - Motor rölantideyken kesici parçanın duracağından emin olmak için, rölanti ile kavrama hızları arasında yeterli fark olduğundan emin olun (gerekirse, rölanti hızını düşürün).
 - Rölanti koşulunda kesici parça dönmeye devam ediyorsa, en yakın Yetkili Servis Merkezine danışın.
- Açma/kapama düğmesinin, kilit açma mandalının, kısma mandalının ve kilit düğmesinin doğru çalıştığını kontrol edin.

MOTOR YAĞININ DEĞİŞTİRİLMESİ

Bozulan motor yağlarının kullanılmaya devam edilmesi, motor ömrünü kısaltacaktır. Yağın ve yağ seviyesinin düzenli olarak kontrol edildiğinden emin olun.



UYARI: Motor durdurulsa bile motor ve motor yağı hala sıcak olabilir. Motorun ve motor yağının soğuması için yeteri kadar bekleyin. Aksi takdirde, cilt yanıklarıyla karşılaşabilirsiniz.

NOT: Yağ sınırı geçecek şekilde doldurulursa, kirlenebilir veya çalışma sırasında beyaz bir duman çıkartarak yanabilir. Yağ seviyesinin doğru olarak okunabilmesi için, motoru durdurduktan sonra yağın yağ deposuna dönmesi için yeteri kadar bekleyin.

Değiştirme sıklığı: İlk 20 saatlik çalıştırma sonrası, her 50 çalışma saatinde bir

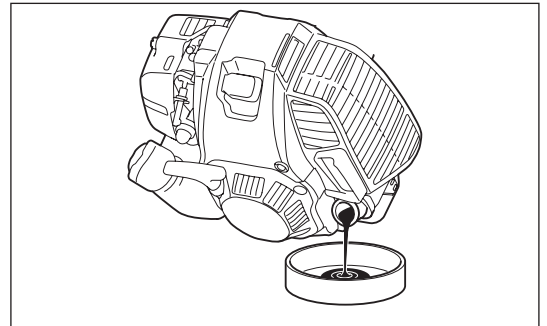
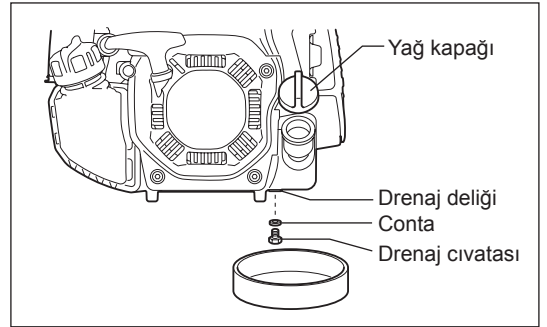
Önerilen yağ: API Sınıfı SAE10W-30 yağ, SF Sınıfı ve üzeri (4 zamanlı otomobil motor yağı)

Değiştirirken, aşağıdaki prosedürü takip edin.

- 1) Yakıt deposu kapağının sıkı bir şekilde kapalı olduğunu kontrol edin.
- 2) Drenaj deliğinin altına geniş bir kap (tava vb.) yerleştirin.
- 3) Drenaj civatasını sökün ve ardından yağı drenaj deliğinden boşaltmak için yağ kapağını çıkartın.
Bu sırada drenaj civatası contasının gevşemediğinden ve sökülen parçaların kirlenmediğinden emin olun.
- 4) Tüm yağ boşaldıktan sonra, contayı ve drenaj civatasını takın ve gevşememesi ve yağ kaçaklarına neden olmaması için drenaj civatasını sağlam şekilde sıkın.
[Sıkma torku: 5 N-m]
* Biz bez parçasıyla civata ve makineye bulaşmış yağları temizleyin.

Alternatif drenaj yöntemi

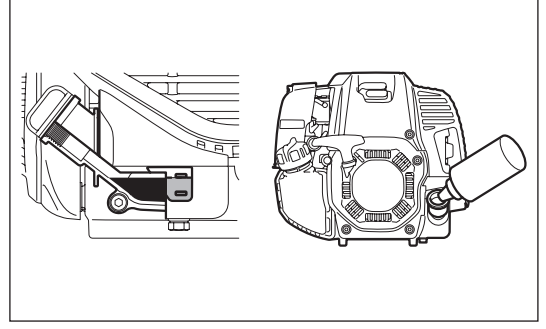
Yağ kapağını çıkartın, makineyi yağ doldurma deliğine doğru yatırın ve yağı boşaltın.
Yağı kaptan toplayın.



- 5) Motoru düz şekilde yerleştirin ve üst sınır çizgisine kadar kademeli olarak yeni yağ doldurun.
- 6) Yağı doldurduktan sonra, yağ kapağını gevşemeyecek ve kaçaklara neden olmayacak şekilde sağlamca sıkın.
Yağ kapağı sağlam şekilde sıkılmazsa, kaçağa neden olabilir.

YAĞLA İLGİLİ UYARILAR

- Boşaltılan motor yağını kesinlikle çöpe, toprağa veya kanalizasyon giderine dökmeyin. Yağın bertarafı ilgili kanunlara uygun şekilde gerçekleştirilmelidir. Yağın bertarafı için daima ilgili kanun ve yönetmeliklere uyun. Bilinmeyen hususlarla ilgili olarak daima Yetkili Servis Personeline danışın.
- Kullanılmadan saklansa dahi yağ zamanla bozulur. Yağı düzenli aralıklarla kontrol edin ve değiştirin (her 6 ayda bir yeni yağla değiştirin).



HAVA TEMİZLEYİCİSİNİN TEMİZLENMESİ



UYARI: Motoru kapatın, makineyi açık alevlerden uzaklaştırın ve sigara içmeyin.

Temizlik ve Kontrol Aralığı: Günlük (her 10 çalışma saatinin sonunda)

- Jikle kolunu tamamen kapalı konuma çevirin ve karbüratördeki toz ve pislikleri temizleyin.

Hava temizleyicisi kapağının çıkartılması

- Hava temizleyicisi kapağının üzerindeki kancayı plaka üzerindeki tırnağa bastırarak kurtarın.
- Tespit civatasını gevşetin.
- Hava temizleyici kapağını çekerek çıkartın.

Filtre elemanının temizlenmesi

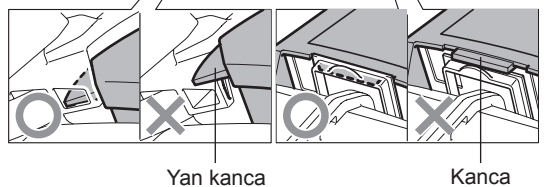
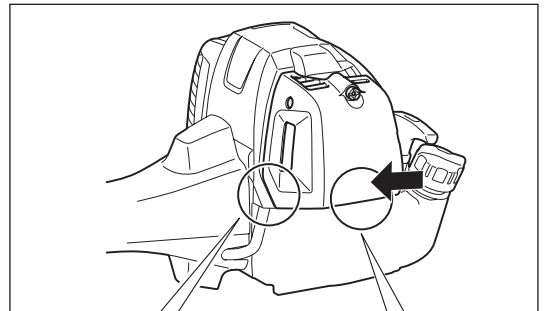
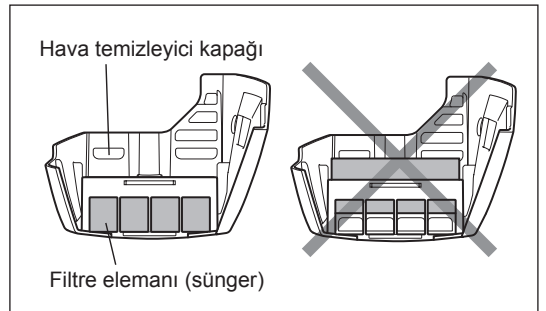
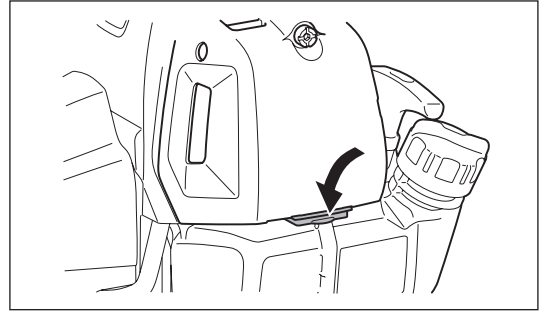
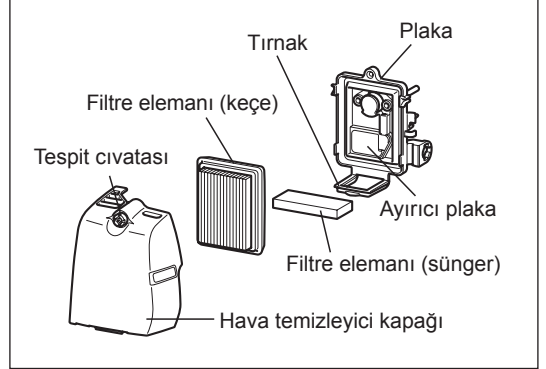
- Filtre elemanlarını çıkartın ve hafifçe vurarak içerisindeki pislikleri temizleyin.
- Aşırı kirlenmişse:
 - 1) Filtre elemanını (sünger) çıkartın, sıcak suya veya doğal deterjanlı suya batırın ve ardından tamamen kurutun. Yıkarken sıkmayın veya ovalamayın.
 - 2) Filtre elemanını (keçe) hafifçe vurarak temizleyin. Bir hava tabancası kullanma imkanınız varsa, basınçlı havayı filtre elemanının (keçe) iç kısmına doğru tutun. Filtre elemanını (keçe) yıkamayın.
- Filtre elemanını (sünger) geri takmadan önce, tamamen kurduğundan emin olun. Filtre elemanının (sünger) yeterli şekilde kurutulmaması, makinenin zor çalışmasına neden olabilir.
- Hava temizleyicisi kapağına ve ayırıcı plakaya bulaşan yağları bir bez parçasıyla temizleyin.

Hava temizleyicisi kapağının takılması

- Filtre elemanlarını (sünger ve keçe) yerine takın. Filtre elemanını (sünger) hava temizleyici kapağı içerisine sonuna kadar bastırarak yerleştirin.
- Yan kancayı şekilde gösterildiği gibi hava temizleyicisi kapağına sokun ve hava temizleyicisi kapağının alt bölümünü kanca, tırnak üzerine tam olarak oturacak şekilde klik sesi duyana kadar bastırın. Ardından, hava temizleyicisi kapağını tespit civatası ile sabitleyin.

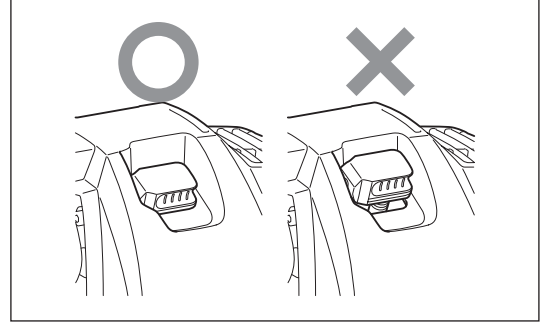
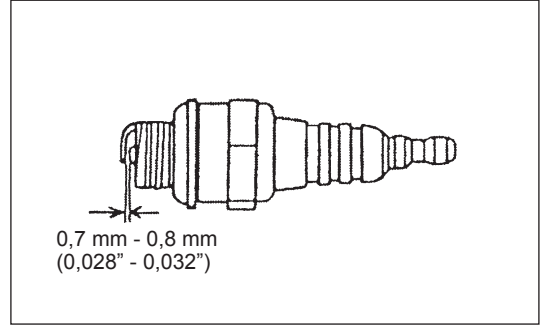
İKAZ:

- Aşırı derecede toz yapışıyorsa, filtre elemanlarını günde birkaç defa temizleyin. Kirli filtre elemanları motor gücünü düşürür ve motorun çalışmasını zorlaştırır.
- Filtre elemanları üzerindeki yağı temizleyin. Filtre elemanlarındaki yağ temizlenmeden çalışmaya devam edilirse, hava temizleyicideki yağ dışarı akabilir ve çevrenin kirlenmesine yol açabilir.
- Filtre elemanlarını yere veya kirli yüzeylere koymayın. Aksi takdirde, filtre elemanlarına kir veya yabancı maddeler yapışabilir ve neticesinde motor hasar görebilir.
- Filtre elemanlarını temizlemek için kesinlikle yakıt kullanmayın. Yakıt, filtre elemanlarına zarar verebilir.



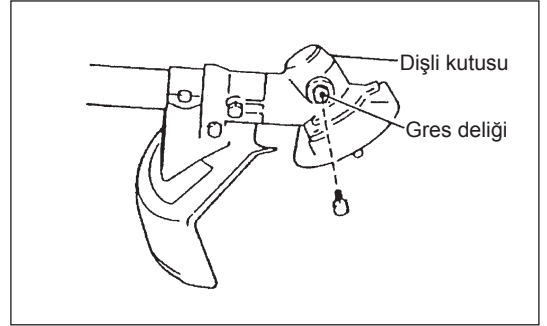
BUJİNİN KONTROLÜ

- Bujiyi sökmek ve takmak için yalnızca ürünle birlikte verilen standart anahtar kullanın.
 - Bujinin iki elektrotu arasındaki boşluk 0,7 ila 0,8 mm (0,028" ila 0,032") olmalıdır. Boşluk çok geniş veya darsa, ayarlayın. Buji tıkanır veya kirlenirse, iyice temizleyin veya değiştirin. Kontrol ettikten sonra tapa kapağını şekilde gösterildiği gibi doğru şekilde takın.
- DİKKAT:** Motor çalışırken buji konektörüne kesinlikle dokunmayın (yüksek gerilimde elektrik çarpması tehlikesi).



DİŞLİ KUTUSUNUN DOLDURULMASI

- Dişli kutusuna gres deliğinden her 30 çalışma saatinde bir gres (Shell Alvania 2 veya muadili) doldurun. (Mutlaka MAKITA satıcınızdan orijinal MAKITA gresi satın alınmalıdır.)



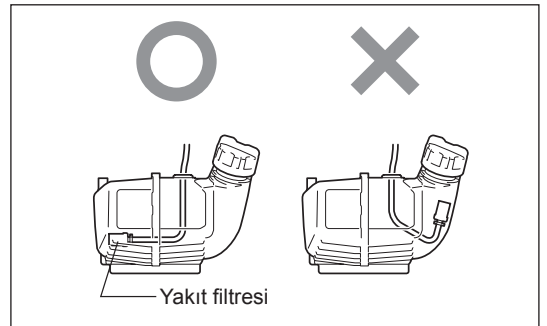
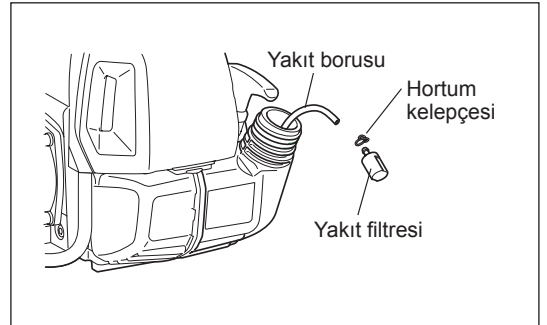
YAKIT FİLTRESİNİN TEMİZLENMESİ

UYARI: TUTUŞABİLİR MADDELERİN KULLANILMASI KESİNLİKLE YASAKTIR.

Temizlik ve Kontrol Aralığı: Aylık (her 50 çalışma saatinin sonunda)

Yakıt deposundaki emiş başlığı

- Emiş başlığındaki yakıt filtresi (1), karbüratör tarafından ihtiyaç duyulan yakıtın filtrelenmesi için kullanılır.
- Yakıt filtresi düzenli aralıklarla gözle kontrol edilmelidir. Yağ deposunu açın ve ardından bir tel kanca yardımıyla emiş başlığını depo açıklığından çekerek çıkartın. Filtre sertleşmiş veya tıkanmışsa, değiştirin.
- Karbüratöre yeterli yakıt beslenmesi için yakın filtresini en azından üç ayda bir değiştirin. Aksi takdirde, yakıt beslenmesi yeterli şekilde gerçekleşmez ve neticesinde motor çalışma arızaları ve maksimum hızda düşüşler meydana gelebilir.
- Kontrol, temizlik ve değiştirme çalışmalarından sonra yakıt filtresini, hortum kelepçesiyle birlikte yakıt borusuna takın. Yakıt filtresini, yakıt deposunun altına doğru sonuna kadar bastırın.

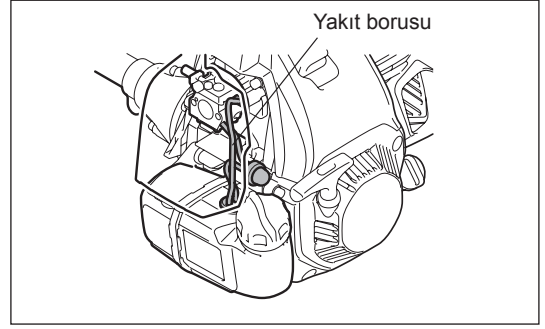


YAKIT BORUSUNUN DEĞİŞTİRİLMESİ

DİKKAT: TUTUŞABİLİR MADDELERİN KULLANILMASI KESİNLİKLE YASAKTIR.

Temizlik ve Kontrol Aralığı: Günlük (her 10 çalışma saatinin sonunda)
Değiştirme sıklığı: Yıllık (her 200 çalışma saatinin sonunda)

Çalıştırma sıklığı ne olursa olsun, yakıt borusunu her yıl değiştirin. Aksi takdirde, yakıt kaçağı nedeniyle yangın tehlikesi ortaya çıkabilir. Kontroller sırasında herhangi bir kaçak tespit ederseniz, yakıt borusunu derhal değiştirin.



CIVATA, SOMUN VE VİDALARIN KONTROLÜ

- Gevşek civataları, somunları vb. sıkın.
- Yakıt kapağının ve yağ kapağının sağlam şekilde sıkıldığını kontrol edin. Yakıt veya yağ kaçağı olup olmadığını kontrol edin.
- Güvenli çalıştırma için, hasarlı parçaları yenileriyle değiştirin.

PARÇALARIN TEMİZLENMESİ

- Bir bez parçasıyla sık sık silerek motorun daima temiz kalmasını sağlayın.
- Silindir açıklıklarına kum veya toz bulaşmasına izin vermeyin. Açıklıklara yapışan toz veya kir, pistonun sıkışmasına neden olur.

CONTA VE SALMASTRALARIN DEĞİŞTİRİLMESİ

Motor sökülümüşse, somun ve salmastraları değiştirin.

Bu kılavuzda belirtilmeyen ve açıklanmayan tüm bakım ve ayar çalışmaları mutlaka yalnızca Yetkili Servis tarafından yapılmalıdır.

SAKLAMA

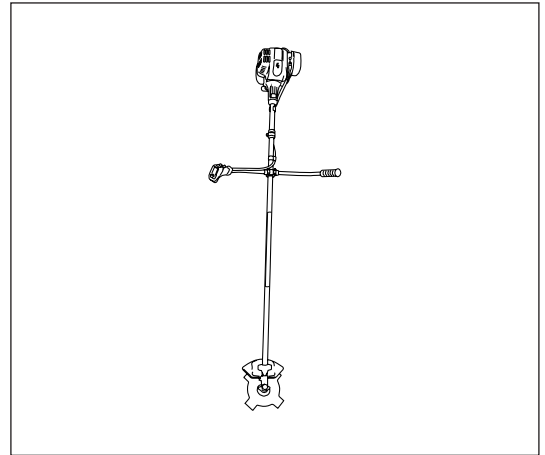


UYARI: Durdurulsa bile motor hala sıcak olabilir. Yakıtı boşaltırken, motorun durdurulduktan sonra soğuması için yeteri kadar bekleyin. Aksi takdirde, cilt yanıkları meydana gelebilir ve/veya yangın çıkabilir.



TEHLİKE: Makine uzun bir süre çalıştırılmayacaksa, yakıt deposu ve karbüratördeki yakıtı tamamen boşaltın ve kuru ve temiz bir yerde muhafaza edin.

- Yakıt deposu ve karbüratördeki yakıtı aşağıdaki prosedürü takip ederek boşaltın:
 - 1) Yakıt deposu kapağını çıkartın ve yakıtı tamamen boşaltın. Yakıt deposunda yabancı madde kalmışsa, tamamen temizleyin.
 - 2) Yakıt filtresini bir tel yardımıyla doldurma deliğinden çıkartın.
 - 3) Yakıt tamamen boşalana kadar ana pompaya bastırın ve yakıt deposundan çıkan yakıtı bir kaba alın.
 - 4) Filtreyi yakıt deposuna geri takın ve yakıt deposu kapağını sıkıca kapatın.
 - 5) Ardından, motoru durana kadar çalıştırmaya devam edin.
- Bujiyi çıkartın ve birkaç damla motor yağının buji deliğinden damlamasını sağlayın.
- Marş kolunu, motora motor yağı dağılacak şekilde yavaşça çekin ve bujiiy takın.
- Kapağı metal bıçağa takın.
- Genel olarak, makineyi yatay konumda saklayın veya bu mümkün değilse, makineyi kesici parça, motorun altında kalacak şekilde yerleştirin. Makinenin düşmemesi için makinenin doğru şekilde saklanması dikkat edin. Aksi takdirde, yaralanmalar meydana gelebilir.
- Çıkan yakıtı doğrudan güneş ışığı almayan ve iyi havalandırılan bir yerde özel bir kaba alın.



Uzun süre depolama sonrası dikkat edilmesi gerekenler

- Uzun bir süre depoda kaldıktan sonra ilk defa çalıştırmadan önce yağı değiştirdiğinizden emin olun (bkz. sayfa 256). Makinenin çalışmadığı sürede yağ bozulmuştur.

Parça	Çalışma süresi	Çalışma öncesi	Yakıt doldurduktan sonra	Günlük (10 sa)	30 sa	50 sa	200 sa	Depoya kaldırmadan önce	İlgili sayfa
Motor yağı	Kontrol edin/ temizleyin	<input type="radio"/>							247
	Değiştirin					<input type="radio"/> *1			256
Parçaları sıkın (cıvata, somun)	Kontrol edin	<input type="radio"/>							258
Yakıt deposu	Temizleyin/ kontrol edin	<input type="radio"/>							—
	Yakıtı boşaltın							<input type="radio"/> *3	259
Kısma mandalı	Çalışma kontrolü		<input type="radio"/>						—
Durdurma düğmesi	Çalışma kontrolü		<input type="radio"/>						256
Kesici parça	Kontrol edin	<input type="radio"/>		<input type="radio"/>					244
Rölanti hızı	Kontrol edin/ ayarlayın			<input type="radio"/>					252
Hava temizleyici	Temizleyin			<input type="radio"/>					257
Buji	Kontrol edin			<input type="radio"/>					258
Soğutma havası geçişi ve silindir kanatları	Temizleyin/ kontrol edin			<input type="radio"/>					259
Yakıt borusu	Kontrol edin			<input type="radio"/>					259
	Değiştirin						<input type="radio"/> *2		—
Dişli kutusu gresi	Doldurun				<input type="radio"/>				258
Yakıt filtresi	Temizleyin/ değiştirin					<input type="radio"/>			258
Vana boşluğu (giriş vanası ve çıkış vanası)	Kontrol edin/ ayarlayın						<input type="radio"/> *2		—
Karbüratör	Yakıtı boşaltın							<input type="radio"/> *3	259

*1 İlk değiştirmeyi 20 saatlik çalışma sonrasında gerçekleştirin.

*2 200 çalışma saati sonrası kontroller için, Yetkili Servis Personeline veya bir makine atölyesine danışın.

*3 Yakıt deposunu boşalttıktan sonra, motoru çalıştırmaya devam ederek karbüratördeki yakıtın boşalmasını sağlayın.

SORUN GİDERME

Onarım talebinde bulunmadan, lütfen sorunu önce kendiniz kontrol edin. Herhangi bir anormal durum tespit ettiğinizde, makinenizi bu kılavuzda verilen açıklamalara göre kontrol edin. Hiçbir parçayı açıklamaların aksine bir şekilde değiştirmeyin ve sökmeyin. Onarım için, Yetkili Servis Merkezine veya satıcınıza başvurun.

Anormal durum	Olası nedeni (arıza)	Çözüm
Motor çalışmıyor	Açma/kapama düğmesi DURDURMA (STOP) konumuna ayarlanmıştır.	Açma/kapama düğmesini ÇALIŞTIRMA konumuna ayarlayın.
	Ana pompa çalışmıyor	7 ila 10 defa basın
	Marş ipini çekme hızınız yavaştır	Güçlü şekilde çekin
	Yakıt azdır	Yakıt doldurun
	Yakıt filtresi tıkanmıştır	Temizleyin
	Yakıt tüpü bükülmüştür	Yakıt tüpünü düzleştirin
	Yakıt kirlenmiştir	Yakıtın kirlenmesi, motorun çalışmasını zorlaştırır. Yeni yakıt doldurun. (Önerilen değiştirme sıklığı: 1 ay)
	Yakıt emişi aşırıdır	Kısma mandalını orta devirden yüksek devire getirin ve motor çalışana kadar marş kolunu çekin. Motor çalışmaya başladığında, metal bıçak da dönmeye başlar. Metal bıçağa çok dikkat edin. Motor hala çalışmazsa, bujiyi çıkartın, elektrotun kurumasını sağlayın ve bu parçaları tekrar başlangıçtaki gibi geri takın. Ardından, belirtildiği gibi çalıştırmayı deneyin.
	Buji kapağı çıkmıştır	Sağlam şekilde takın
	Buji kirlenmiştir	Temizleyin
	Buji açıklığı normal değildir	Açıklığı ayarlayın
	Bujide başka bir sorun vardır	Değiştirin
	Karbüratör normal çalışmıyordur	Kontrol ve bakım talebinde bulunun.
	Marş ipi çekilemiyor	Kontrol ve bakım talebinde bulunun.
Tahrik sistemi normal çalışmıyordur	Kontrol ve bakım talebinde bulunun.	
Motor hemen duruyor Motor devri yükselmiyor	Isınma yetersizdir	Isınma prosedürünü uygulayın
	Motor ısınmasına rağmen, jikle kolu "KAPALI" konumdadır.	"AÇIK" konumuna getirin
	Yakıt filtresi tıkanmıştır	Temizleyin
	Hava temizleyici kirlenmiş veya tıkanmıştır	Temizleyin
	Karbüratör normal çalışmıyordur	Kontrol ve bakım talebinde bulunun.
	Tahrik sistemi normal çalışmıyordur	Kontrol ve bakım talebinde bulunun.
Metal bıçak dönmüyor ↓ Motoru derhal durdurun	Metal bıçak tespit somunu gevşemiştir	Sağlam şekilde sıkın
	Metal bıçağa ince dal takılmıştır veya kapak engelliyordur.	Yabancı maddeyi temizleyin
	Tahrik sistemi normal çalışmıyordur	Kontrol ve bakım talebinde bulunun.
Ana ünite aşırı titreşim yapıyor ↓ Motoru derhal durdurun	Metal bıçak kırılmış, eğilmiş veya aşınmıştır	Metal bıçağı değiştirin
	Metal bıçak tespit somunu gevşemiştir	Sağlam şekilde sıkın
	Metal bıçağın dışbükey kısmı ve metal bıçak destek fittingi kaymıştır.	Sağlam şekilde takın
	Tahrik sistemi normal çalışmıyordur	Kontrol ve bakım talebinde bulunun.
Metal bıçak hemen dönmeye başlamıyor ↓ Motoru derhal durdurun	Rölanti hızı yüksektir	Ayarlayın
	Kısma teli çıkmıştır	Sağlam şekilde takın
	Tahrik sistemi normal çalışmıyordur	Kontrol ve bakım talebinde bulunun.
Motor durmuyor ↓ Motoru rölantide çalıştırın ve jikle kolunu KAPALI konuma getirin	Konektör çıkmıştır	Sağlam şekilde takın
	Elektrik sistemi normal çalışmıyordur	Kontrol ve bakım talebinde bulunun.

Isıtma çalıştırması gerçekleştirildikten sonra, motor çalışmıyorsa:

Kontrol edilen parçalarda herhangi bir anormal durum tespit edilmezse, kısma mandalını yaklaşık 1/3 tur açın ve motoru çalıştırın.

Makita Corporation

Anjo, Aichi, Japan

www.makita.com

885118-993

ALA