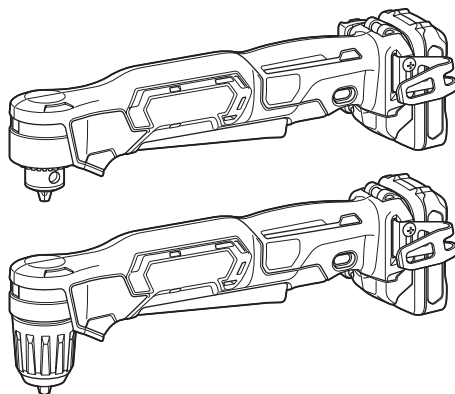




<b>EN</b>	<b>Cordless Angle Drill</b>	<b>INSTRUCTION MANUAL</b>	<b>4</b>
<b>FR</b>	<b>Perceuse d'Angle sans Fil</b>	<b>MANUEL D'INSTRUCTIONS</b>	<b>9</b>
<b>DE</b>	<b>Akku-Winkelbohrmaschine</b>	<b>BETRIEBSANLEITUNG</b>	<b>14</b>
<b>IT</b>	<b>Trapano angolare a batteria</b>	<b>ISTRUZIONI PER L'USO</b>	<b>19</b>
<b>NL</b>	<b>Haakse accuboormachine</b>	<b>GEBRUIKSAANWIJZING</b>	<b>24</b>
<b>ES</b>	<b>Taladro Angular Inalámbrico</b>	<b>MANUAL DE INSTRUCCIONES</b>	<b>29</b>
<b>PT</b>	<b>Furadeira Angular a Bateria</b>	<b>MANUAL DE INSTRUÇÕES</b>	<b>34</b>
<b>DA</b>	<b>Akku vinkelboremaskine</b>	<b>BRUGSANVISNING</b>	<b>39</b>
<b>EL</b>	<b>Φορητό γωνιακό τρυπάνι</b>	<b>ΕΓΧΕΙΡΙΔΙΟ ΟΔΗΓΙΩΝ</b>	<b>44</b>
<b>TR</b>	<b>Akülü Açılı Matkap</b>	<b>KULLANMA KILAVUZU</b>	<b>49</b>

**DA332D**  
**DA333D**



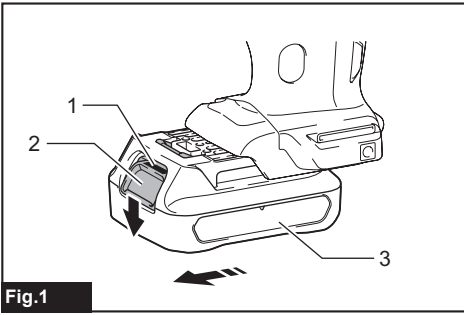


Fig.1

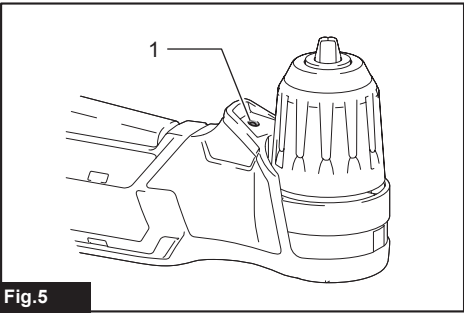


Fig.5

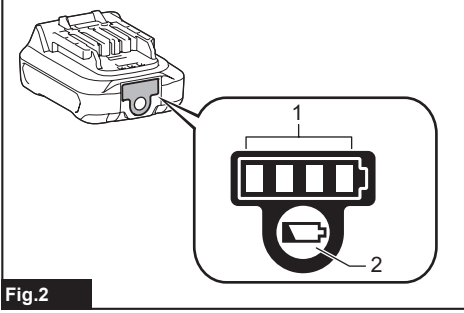


Fig.2

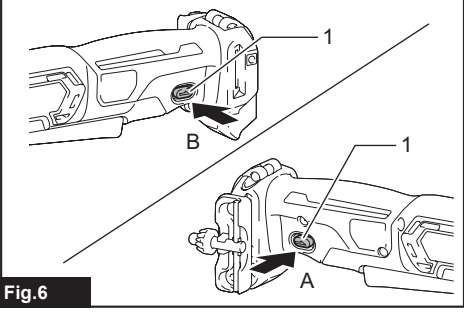


Fig.6

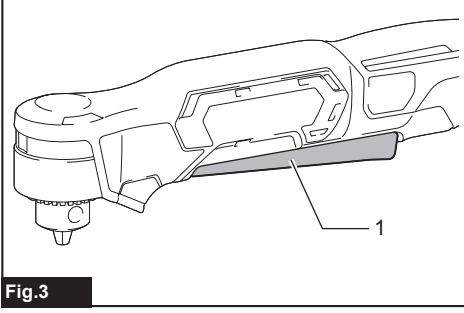


Fig.3

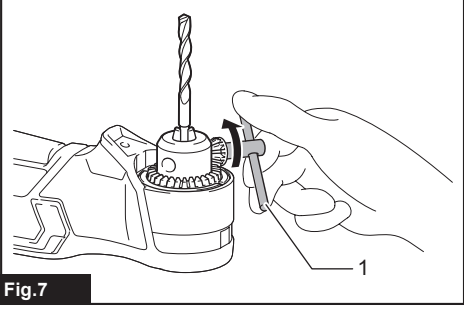


Fig.7

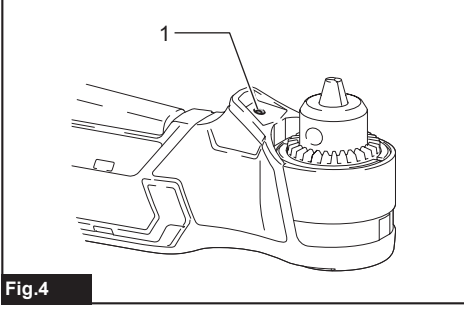


Fig.4

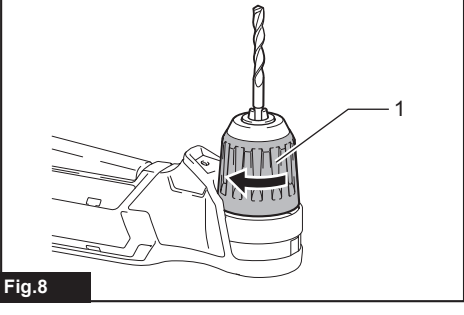
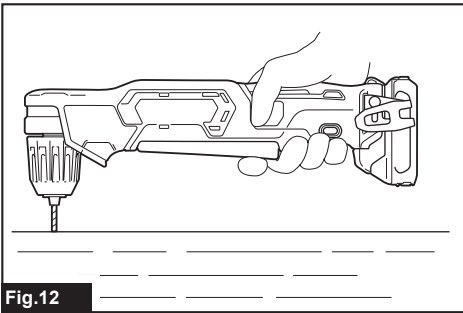
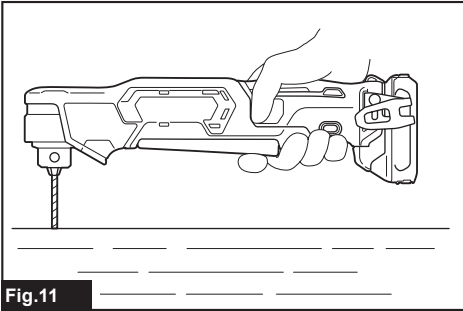
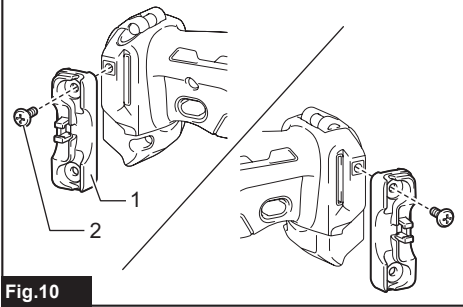
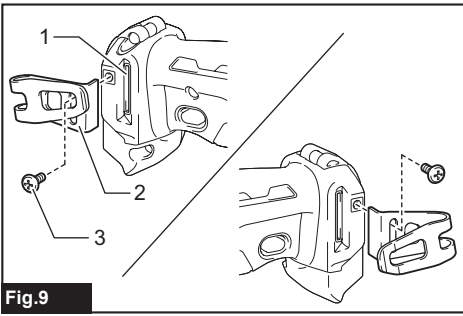


Fig.8



# SPECIFICATIONS

Model:		DA332D	DA333D
Drilling capacities	Steel	10 mm	
	Wood	12 mm	
No load speed		0 - 1,100 min <sup>-1</sup>	
Overall length		313 mm - 332 mm	
Rated voltage		D.C. 10.8 V - 12 V max	
Battery cartridge		BL1015 / BL1016 / BL1020B / BL1021B / BL1040B / BL1041B	
Net weight		1.2 - 1.3 kg	1.2 - 1.4 kg

- Due to our continuing program of research and development, the specifications herein are subject to change without notice.
- Specifications and battery cartridge may differ from country to country.
- The weight may differ depending on the attachment(s), including the battery cartridge. The lightest and heaviest combination, according to EPTA-Procedure 01/2014, are shown in the table.

## Intended use

The tool is intended for drilling in wood, metal and plastic.

## Noise

The typical A-weighted noise level determined according to EN60745:

### Model DA332D

Sound pressure level ( $L_{pA}$ ): 70 dB(A) or less  
Uncertainty (K): 3 dB(A)

### Model DA333D

Sound pressure level ( $L_{pA}$ ): 70 dB(A) or less  
Uncertainty (K): 3 dB(A)

The noise level under working may exceed 80 dB (A).

**⚠ WARNING: Wear ear protection.**

## Vibration

The vibration total value (tri-axial vector sum) determined according to EN60745:

### Model DA332D

Work mode: drilling into metal  
Vibration emission ( $a_{n,D}$ ): 2.5 m/s<sup>2</sup> or less  
Uncertainty (K): 1.5 m/s<sup>2</sup>

### Model DA333D

Work mode: drilling into metal  
Vibration emission ( $a_{n,D}$ ): 3.0 m/s<sup>2</sup>  
Uncertainty (K): 1.5 m/s<sup>2</sup>

**NOTE:** The declared vibration emission value has been measured in accordance with the standard test method and may be used for comparing one tool with another.

**NOTE:** The declared vibration emission value may also be used in a preliminary assessment of exposure.

**⚠ WARNING:** The vibration emission during actual use of the power tool can differ from the declared emission value depending on the ways in which the tool is used.

**⚠ WARNING:** Be sure to identify safety measures to protect the operator that are based on an estimation of exposure in the actual conditions of use (taking account of all parts of the operating cycle such as the times when the tool is switched off and when it is running idle in addition to the trigger time).

## EC Declaration of Conformity

### For European countries only

The EC declaration of conformity is included as Annex A to this instruction manual.

# SAFETY WARNINGS

## General power tool safety warnings

**⚠ WARNING:** Read all safety warnings, instructions, illustrations and specifications provided with this power tool. Failure to follow all instructions listed below may result in electric shock, fire and/or serious injury.

## Save all warnings and instructions for future reference.

The term "power tool" in the warnings refers to your mains-operated (corded) power tool or battery-operated (cordless) power tool.

## Cordless drill safety warnings

1. Use auxiliary handle(s), if supplied with the tool. Loss of control can cause personal injury.
2. Hold power tool by insulated gripping surfaces, when performing an operation where the cutting accessory may contact hidden wiring. Cutting accessory contacting a "live" wire may make exposed metal parts of the power tool "live" and could give the operator an electric shock.
3. Always be sure you have a firm footing. Be sure no one is below when using the tool in high locations.
4. Hold the tool firmly.
5. Keep hands away from rotating parts.
6. Do not leave the tool running. Operate the tool only when hand-held.
7. Do not touch the drill bit or the workpiece immediately after operation; they may be extremely hot and could burn your skin.
8. Some material contains chemicals which may be toxic. Take caution to prevent dust inhalation and skin contact. Follow material supplier safety data.
9. If the drill bit cannot be loosened even you open the jaws, use pliers to pull it out. In such a case, pulling out the drill bit by hand may result in injury by its sharp edge.

## SAVE THESE INSTRUCTIONS.

**⚠WARNING:** DO NOT let comfort or familiarity with product (gained from repeated use) replace strict adherence to safety rules for the subject product. MISUSE or failure to follow the safety rules stated in this instruction manual may cause serious personal injury.

## Important safety instructions for battery cartridge

1. Before using battery cartridge, read all instructions and cautionary markings on (1) battery charger, (2) battery, and (3) product using battery.
2. Do not disassemble battery cartridge.
3. If operating time has become excessively shorter, stop operating immediately. It may result in a risk of overheating, possible burns and even an explosion.
4. If electrolyte gets into your eyes, rinse them out with clear water and seek medical attention right away. It may result in loss of your eyesight.
5. Do not short the battery cartridge:
  - (1) Do not touch the terminals with any conductive material.
  - (2) Avoid storing battery cartridge in a container with other metal objects such as nails, coins, etc.
  - (3) Do not expose battery cartridge to water or rain.

A battery short can cause a large current flow, overheating, possible burns and even a breakdown.

6. Do not store the tool and battery cartridge in locations where the temperature may reach or exceed 50 °C (122 °F).
7. Do not incinerate the battery cartridge even if it is severely damaged or is completely worn out. The battery cartridge can explode in a fire.
8. Be careful not to drop or strike battery.
9. Do not use a damaged battery.
10. The contained lithium-ion batteries are subject to the Dangerous Goods Legislation requirements.  
For commercial transports e.g. by third parties, forwarding agents, special requirement on packaging and labeling must be observed.  
For preparation of the item being shipped, consulting an expert for hazardous material is required. Please also observe possibly more detailed national regulations.  
Tape or mask off open contacts and pack up the battery in such a manner that it cannot move around in the packaging.
11. Follow your local regulations relating to disposal of battery.

## SAVE THESE INSTRUCTIONS.

**⚠CAUTION:** Only use genuine Makita batteries. Use of non-genuine Makita batteries, or batteries that have been altered, may result in the battery bursting causing fires, personal injury and damage. It will also void the Makita warranty for the Makita tool and charger.

## Tips for maintaining maximum battery life

1. Charge the battery cartridge before completely discharged. Always stop tool operation and charge the battery cartridge when you notice less tool power.
2. Never recharge a fully charged battery cartridge. Overcharging shortens the battery service life.
3. Charge the battery cartridge with room temperature at 10 °C - 40 °C (50 °F - 104 °F). Let a hot battery cartridge cool down before charging it.

## FUNCTIONAL DESCRIPTION

**CAUTION:** Always be sure that the tool is switched off and the battery cartridge is removed before adjusting or checking function on the tool.

### Installing or removing battery cartridge

**CAUTION:** Always switch off the tool before installing or removing of the battery cartridge.

**CAUTION:** Hold the tool and the battery cartridge firmly when installing or removing battery cartridge. Failure to hold the tool and the battery cartridge firmly may cause them to slip off your hands and result in damage to the tool and battery cartridge and a personal injury.

► Fig.1: 1. Red indicator 2. Button 3. Battery cartridge

To remove the battery cartridge, slide it from the tool while sliding the button on the front of the cartridge.

To install the battery cartridge, align the tongue on the battery cartridge with the groove in the housing and slip it into place. Insert it all the way until it locks in place with a little click. If you can see the red indicator on the upper side of the button, it is not locked completely.

**CAUTION:** Always install the battery cartridge fully until the red indicator cannot be seen. If not, it may accidentally fall out of the tool, causing injury to you or someone around you.

**CAUTION:** Do not install the battery cartridge forcibly. If the cartridge does not slide in easily, it is not being inserted correctly.

### Indicating the remaining battery capacity

*Only for battery cartridges with the indicator*

► Fig.2: 1. Indicator lamps 2. Check button

Press the check button on the battery cartridge to indicate the remaining battery capacity. The indicator lamps light up for a few seconds.

Indicator lamps		Remaining capacity
Lighted	Off	
■ ■ ■ ■	□	75% to 100%
■ ■ ■ □	□	50% to 75%
■ ■ □ □	□ □	25% to 50%
■ □ □ □	□ □ □ □	0% to 25%

**NOTE:** Depending on the conditions of use and the ambient temperature, the indication may differ slightly from the actual capacity.

## Battery protection system

The tool is equipped with a battery protection system. This system automatically cuts off power to the motor to extend battery life.

The tool will automatically stop during operation if the tool and/or battery are placed under one of the following conditions:

#### Overloaded:

The tool is operated in a manner that causes it to draw an abnormally high current.

In this situation, turn the tool off and stop the application that caused the tool to become overloaded. Then turn the tool on to restart.

If the tool does not start, the battery is overheated. In this situation, let the battery cool before turning the tool on again.

#### Low battery voltage:

The remaining battery capacity is too low and the tool will not operate. If you turn the tool on, the motor does not run or the motor runs again but stops soon. In this situation, remove and recharge the battery.

## Switch action

**CAUTION:** Before installing the battery cartridge into the tool, always check to see that the switch lever actuates properly and returns to the "OFF" position when released.

**CAUTION:** Be sure to hold the tool firmly before the tool is switched off.

► Fig.3: 1. Switch lever

To start the tool, simply pull the switch lever. Tool speed is increased by increasing pressure on the switch lever. Release the switch lever to stop.

## Lighting up the front lamp

**CAUTION:** Do not look in the light or see the source of light directly.

**For model DA332D**

► Fig.4: 1. Lamp

**For model DA333D**

► Fig.5: 1. Lamp

Pull the switch lever to light up the lamp. The lamp keeps on lighting while the switch lever is being pulled. The light automatically goes out approximately 10 seconds after the switch lever is released.

**NOTE:** Use a dry cloth to wipe the dirt off the lens of the lamp. Be careful not to scratch the lens of lamp, or it may lower the illumination.

## Reversing switch action

► Fig.6: 1. Reversing switch lever

**⚠ CAUTION:** Always check the direction of rotation before operation.

**⚠ CAUTION:** Use the reversing switch only after the tool comes to a complete stop. Changing the direction of rotation before the tool stops may damage the tool.

**⚠ CAUTION:** When not operating the tool, always set the reversing switch lever to the neutral position.

This tool has a reversing switch to change the direction of rotation. Depress the reversing switch lever from the A side for clockwise rotation or from the B side for counterclockwise rotation.

When the reversing switch lever is in the neutral position, the switch lever cannot be pulled.

## ASSEMBLY

**⚠ CAUTION:** Always be sure that the tool is switched off and the battery cartridge is removed before carrying out any work on the tool.

## Installing or removing drill bit

### Optional accessory

For model DA332D

► Fig.7: 1. Chuck key

To install the drill bit, place it in the chuck as far as it will go. Tighten the chuck by hand. Place the chuck key in each of the three holes and tighten clockwise. Be sure to tighten all three chuck holes evenly.

To remove the drill bit, turn the chuck key counterclockwise in just one hole, then loosen the chuck by hand. After use, return the chuck key to the storage cavity on the tool.

For model DA333D

► Fig.8: 1. Sleeve

Hold the tool firmly and turn the sleeve counterclockwise to open the chuck jaws. Place the drill bit in the chuck as far as it will go. Hold the tool firmly turn the sleeve clockwise to tighten the chuck.

To remove the drill bit, hold the tool firmly turn the sleeve counterclockwise.

## Installing hook

► Fig.9: 1. Groove 2. Hook 3. Screw

The hook is convenient for temporarily hanging the tool. This can be installed on either side of the tool. To install the hook, insert it into a groove in the tool housing on either side and then secure it with a screw. To remove, loosen the screw and then take it out.

## Chuck key holder

For model DA332D only (optional accessory)

► Fig.10: 1. Chuck key holder 2. Screw

To install the chuck key holder, fix it to the convex portion of the tool housing on either side and then secure it with a screw. To remove, loosen the screw and then take it out.

## OPERATION

**⚠ CAUTION:** Always insert the battery cartridge all the way until it locks in place. If you can see the red indicator on the upper side of the button, it is not locked completely. Insert it fully until the red indicator cannot be seen. If not, it may accidentally fall out of the tool, causing injury to you or someone around you.

**⚠ CAUTION:** When the speed comes down extremely, reduce the load or stop the tool to avoid the tool damage.

**⚠ CAUTION:** Hold the tool firmly with one hand on the gripping part of the tool when operating the tool.

For model DA332D

► Fig.11

For model DA333D

► Fig.12

## Drilling operation

### Drilling in wood

When drilling in wood, the best results are obtained with wood drills equipped with a guide screw. The guide screw makes drilling easier by pulling the drill bit into the workpiece.

### Drilling in metal

To prevent the drill bit from slipping when starting a hole, make an indentation with a center-punch and hammer at the point to be drilled. Place the point of the drill bit in the indentation and start drilling. Use a cutting lubricant when drilling metals. The exceptions are iron and brass which should be drilled dry.

**⚠ CAUTION:** Pressing excessively on the tool will not speed up the drilling. In fact, this excessive pressure will only serve to damage the tip of your drill bit, decrease the tool performance and shorten the service life of the tool.

**⚠ CAUTION:** Hold the tool firmly and exert care when the drill bit begins to break through the workpiece. There is a tremendous force exerted on the tool/drill bit at the time of hole break through.

**⚠ CAUTION:** A stuck drill bit can be removed simply by setting the reversing switch to reverse rotation in order to back out. However, the tool may back out abruptly if you do not hold it firmly.

**⚠ CAUTION:** Always secure workpieces in a vise or similar hold-down device.

**⚠ CAUTION:** If the tool is operated continuously until the battery cartridge has discharged, allow the tool to rest for 15 minutes before proceeding with a fresh battery.

## MAINTENANCE

**⚠ CAUTION:** Always be sure that the tool is switched off and the battery cartridge is removed before attempting to perform inspection or maintenance.

**NOTICE:** Never use gasoline, benzine, thinner, alcohol or the like. Discoloration, deformation or cracks may result.

To maintain product SAFETY and RELIABILITY, repairs, any other maintenance or adjustment should be performed by Makita Authorized or Factory Service Centers, always using Makita replacement parts.

## OPTIONAL ACCESSORIES

**⚠ CAUTION:** These accessories or attachments are recommended for use with your Makita tool specified in this manual. The use of any other accessories or attachments might present a risk of injury to persons. Only use accessory or attachment for its stated purpose.

If you need any assistance for more details regarding these accessories, ask your local Makita Service Center.

- Drill bits
- Chuck key
- Chuck key holder
- Hook
- Plastic carrying case
- Makita genuine battery and charger

**NOTE:** Some items in the list may be included in the tool package as standard accessories. They may differ from country to country.



## SPÉCIFICATIONS

Modèle :		DA332D	DA333D
Capacités de perçage	Acier	10 mm	
	Bois	12 mm	
Vitesse à vide	0 à 1 100 min <sup>-1</sup>		
Longueur totale	313 mm à 332 mm		
Tension nominale	10,8 V à 12 V CC max.		
Batterie	BL1015 / BL1016 / BL1020B / BL1021B / BL1040B / BL1041B		
Poids net	1,2 - 1,3 kg		1,2 - 1,4 kg

- Étant donné l'évolution constante de notre programme de recherche et de développement, les spécifications contenues dans ce manuel sont sujettes à modification sans préavis.
- Les spécifications et la batterie peuvent être différentes suivant les pays.
- Le poids peut être différent selon les accessoires, notamment la batterie. Les associations la plus légère et la plus lourde, conformément à la procédure EPTA 01/2014, sont indiquées dans le tableau.

## Utilisations

L'outil est conçu pour percer dans le bois, le métal et le plastique.

## Bruit

Niveau de bruit pondéré A typique, déterminé selon EN60745 :

### Modèle DA332D

Niveau de pression sonore ( $L_{pA}$ ) : 70 dB (A) ou moins  
Incertitude (K) : 3 dB (A)

### Modèle DA333D

Niveau de pression sonore ( $L_{pA}$ ) : 70 dB (A) ou moins  
Incertitude (K) : 3 dB (A)

Le niveau de bruit en fonctionnement peut dépasser 80 dB (A).

**AVERTISSEMENT** : Portez un serre-tête antibruit.

## Vibrations

Valeur totale de vibrations (somme de vecteur triaxial) déterminée selon EN60745 :

### Modèle DA332D

Mode de travail : perçage dans le métal  
Émission de vibrations ( $a_{n,D}$ ) : 2,5 m/s<sup>2</sup> ou moins  
Incertitude (K) : 1,5 m/s<sup>2</sup>

### Modèle DA333D

Mode de travail : perçage dans le métal  
Émission de vibrations ( $a_{n,D}$ ) : 3,0 m/s<sup>2</sup>  
Incertitude (K) : 1,5 m/s<sup>2</sup>

**NOTE** : La valeur d'émission de vibrations déclarée a été mesurée conformément à la méthode de test standard et peut être utilisée pour comparer les outils entre eux.

**NOTE** : La valeur d'émission de vibrations déclarée peut aussi être utilisée pour l'évaluation préliminaire de l'exposition.

**AVERTISSEMENT** : L'émission de vibrations lors de l'usage réel de l'outil électrique peut être différente de la valeur d'émission déclarée, suivant la façon dont l'outil est utilisé.

**AVERTISSEMENT** : Les mesures de sécurité à prendre pour protéger l'utilisateur doivent être basées sur une estimation de l'exposition dans des conditions réelles d'utilisation (en tenant compte de toutes les composantes du cycle d'utilisation, comme par exemple le moment de sa mise hors tension, lorsqu'il tourne à vide et le moment de son déclenchement).

## Déclaration de conformité CE

### Pour les pays européens uniquement

La déclaration de conformité CE est fournie en Annexe A à ce mode d'emploi.

## CONSIGNES DE SÉCURITÉ

### Consignes de sécurité générales pour outils électriques

**AVERTISSEMENT** : Veuillez lire les consignes de sécurité, instructions, illustrations et spécifications qui accompagnent cet outil électrique. Le non-respect de toutes les instructions indiquées ci-dessous peut entraîner une électrocution, un incendie et/ou de graves blessures.

### Conservez toutes les mises en garde et instructions pour référence ultérieure.

Le terme « outil électrique » dans les avertissements fait référence à l'outil électrique alimenté par le secteur (avec cordon d'alimentation) ou à l'outil électrique fonctionnant sur batterie (sans cordon d'alimentation).

## Consignes de sécurité pour perceuse sans fil

1. Utilisez la ou les poignées auxiliaires, si l'outil en possède. Toute perte de maîtrise de l'outil comporte un risque de blessure.
2. Tenez l'outil électrique par des surfaces de prise isolées lorsque vous effectuez une tâche au cours de laquelle l'accessoire de coupe peut entrer en contact avec des fils cachés. Le contact de l'accessoire de coupe avec un fil sous tension peut transmettre du courant dans les pièces métalliques exposées de l'outil électrique et électrocuter l'opérateur.
3. Assurez-vous toujours de travailler en position stable. Veillez à ce que personne ne se trouve en dessous de vous quand vous utilisez l'outil en hauteur.
4. Tenez l'outil fermement.
5. Gardez les mains éloignées des pièces en rotation.
6. Ne vous éloignez pas en laissant l'outil tourner. Ne le faites fonctionner que lorsque vous l'avez bien en main.
7. Ne touchez pas le foret ou la pièce immédiatement après l'exécution du travail ; ils peuvent être extrêmement chauds et vous brûler la peau.
8. Certains matériaux contiennent des produits chimiques qui peuvent être toxiques. Prenez garde de ne pas avaler la poussière et évitez tout contact avec la peau. Suivez les données de sécurité du fournisseur du matériau.
9. Si le foret ne peut pas être desserré même en ouvrant la mâchoire, utilisez des pinces pour l'extirper. Le bord tranchant du foret risque de vous blesser si vous essayez de l'extirper manuellement.

## CONSERVEZ CES INSTRUCTIONS.

**⚠ AVERTISSEMENT** : NE vous laissez PAS tromper (au fil d'une utilisation répétée) par un sentiment d'aisance et de familiarité avec le produit, en négligeant le respect rigoureux des consignes de sécurité qui accompagnent le produit en question. La MAUVAISE UTILISATION de l'outil ou l'ignorance des consignes de sécurité indiquées dans ce mode d'emploi peut entraîner de graves blessures.

## Consignes de sécurité importantes pour la batterie

1. Avant d'utiliser la batterie, lisez toutes les instructions et précautions relatives (1) au chargeur de batterie, (2) à la batterie, et (3) au produit utilisant la batterie.
2. Ne démontez pas la batterie.
3. Cessez immédiatement l'utilisation si le temps de fonctionnement devient excessivement court. Il y a risque de surchauffe, de brûlures, voire d'explosion.
4. Si l'électrolyte pénètre dans vos yeux, rincez-les à l'eau claire et consultez immédiatement un médecin. Il y a risque de perte de la vue.

5. Ne court-circuitez pas la batterie :
  - (1) Ne touchez les bornes avec aucun matériau conducteur.
  - (2) Évitez de ranger la batterie dans un conteneur avec d'autres objets métalliques, par exemple des clous, des pièces de monnaie, etc.
  - (3) N'exposez pas la batterie à l'eau ou à la pluie.

Un court-circuit de la batterie peut provoquer une intensité de courant élevée, une surchauffe, parfois des brûlures et même une panne.
6. Ne rangez pas l'outil et la batterie dans un endroit où la température risque d'atteindre ou de dépasser 50 °C.
7. Ne jetez pas la batterie au feu même si elle est sérieusement endommagée ou complètement épuisée. La batterie peut exploser au contact du feu.
8. Évitez de laisser tomber ou de cogner la batterie.
9. N'utilisez pas la batterie si elle est endommagée.
10. Les batteries au lithium-ion contenues sont soumises aux exigences de la législation sur les marchandises dangereuses.

Lors du transport commercial par des tierces parties ou des transitaires par exemple, des exigences spécifiques en matière d'étiquetage et d'emballage doivent être respectées.

Pour la préparation de l'article expédié, il est nécessaire de consulter un expert en matériau dangereux. Veuillez également respecter les réglementations nationales susceptibles d'être plus détaillées.

Recouvrez les contacts exposés avec du ruban adhésif ou du ruban de masquage et emballez la batterie de telle sorte qu'elle ne puisse pas bouger dans l'emballage.
11. Suivez les réglementations locales en matière de mise au rebut des batteries.

## CONSERVEZ CES INSTRUCTIONS.

**⚠ ATTENTION** : N'utilisez que des batteries Makita d'origine. L'utilisation de batteries de marque autre que Makita ou de batteries modifiées peut provoquer l'explosion des batteries, ce qui présente un risque d'incendie, de dommages matériels et corporels. Cela annulera également la garantie Makita pour l'outil et le chargeur Makita.

## Conseils pour assurer la durée de vie optimale de la batterie

1. Chargez la batterie avant qu'elle ne soit complètement déchargée. Arrêtez toujours l'outil et rechargez la batterie quand vous remarquez que la puissance de l'outil diminue.
2. Ne rechargez jamais une batterie complètement chargée. La surcharge réduit la durée de service de la batterie.
3. Chargez la batterie à une température ambiante comprise entre 10 °C et 40 °C. Avant de charger une batterie chaude, laissez-la refroidir.

# DESCRIPTION DU FONCTIONNEMENT

**ATTENTION** : Assurez-vous toujours que l'outil est hors tension et que sa batterie est retirée avant de l'ajuster ou de vérifier son fonctionnement.

## Insertion ou retrait de la batterie

**ATTENTION** : Éteignez toujours l'outil avant de mettre en place ou de retirer la batterie.

**ATTENTION** : Tenez fermement l'outil et la batterie lors de la mise en place ou du retrait de la batterie. Si vous ne tenez pas fermement l'outil et la batterie, ils peuvent vous glisser des mains, et s'abîmer ou vous blesser.

► Fig.1: 1. Voyant rouge 2. Bouton 3. Batterie

Pour retirer la batterie, faites-la glisser hors de l'outil tout en faisant glisser le bouton à l'avant de la batterie.

Pour mettre en place la batterie, alignez la languette sur la batterie avec la rainure sur le compartiment et insérez-la. Insérez-la à fond jusqu'à ce qu'un léger déclic se fasse entendre. Si le voyant rouge sur le dessus du bouton est visible, cela signifie qu'elle n'est pas bien verrouillée.

**ATTENTION** : Insérez toujours complètement la batterie jusqu'à ce que le voyant rouge ne soit plus visible. Sinon, elle pourrait tomber accidentellement de l'outil, au risque de vous blesser ou de blesser quelqu'un se trouvant près de vous.

**ATTENTION** : N'insérez pas la batterie de force. Si elle ne glisse pas facilement, c'est que vous ne l'insérez pas correctement.

## Indication de la charge restante de la batterie

*Uniquement pour les batteries avec voyant lumineux*

► Fig.2: 1. Témoins 2. Bouton de vérification

Appuyez sur le bouton de vérification sur la batterie pour indiquer la charge restante de la batterie. Les témoins s'allument pendant quelques secondes.

Témoins		Charge restante
Allumé	Éteint	
■	□	75 % à 100 %
■ ■ ■ ■	□	50 % à 75 %
■ ■	□ □	25 % à 50 %
■	□ □ □	0 % à 25 %

**NOTE** : Selon les conditions d'utilisation et la température ambiante, l'indication peut être légèrement différente de la capacité réelle.

## Système de protection de la batterie

L'outil est équipé d'un système de protection de la batterie. Ce système coupe automatiquement le courant de l'outil pour prolonger la durée de service de la batterie.

L'outil s'arrêtera automatiquement en cours d'utilisation si l'outil et/ou la batterie se trouve dans l'une ou l'autre des situations suivantes :

### Surcharge :

L'outil est utilisé de manière telle qu'il consomme un courant anormalement élevé.

Dans ce cas, éteignez l'outil et arrêtez la tâche ayant provoqué la surcharge de l'outil. Puis rallumez l'outil pour reprendre la tâche.

Si l'outil ne démarre pas, c'est que la batterie a surchauffé. Dans ce cas, laissez la batterie refroidir avant de rallumer l'outil.

### Faible tension de la batterie :

La charge restante de la batterie est trop faible et l'outil ne fonctionne pas. Si vous allumez l'outil, le moteur ne démarre pas ou bien le moteur redémarre, mais s'arrête rapidement. Dans ce cas, retirez la batterie et rechargez-la.

## Fonctionnement de la gâchette

**ATTENTION** : Avant d'insérer la batterie dans l'outil, vérifiez toujours que le levier interrupteur fonctionne correctement et revient en position d'arrêt une fois relâché.

**ATTENTION** : Veillez à tenir fermement l'outil avant de l'éteindre.

► Fig.3: 1. Levier interrupteur

Pour mettre l'outil en marche, enclenchez simplement le levier interrupteur. La vitesse de l'outil augmente à mesure que vous augmentez la pression sur le levier interrupteur. Pour arrêter l'outil, relâchez le levier interrupteur.

## Allumage de la lampe avant

**ATTENTION** : Évitez de regarder directement le faisceau lumineux ou sa source.

Pour le modèle DA332D

► Fig.4: 1. Lampe

Pour le modèle DA333D

► Fig.5: 1. Lampe

Enclenchez le levier interrupteur pour allumer la lampe. La lampe reste allumée tant que le levier interrupteur est enclenché. Lorsque vous relâchez le levier interrupteur, la lumière s'éteint automatiquement au bout de 10 secondes environ.

**NOTE :** Retirez la saleté sur la lentille de la lampe avec un chiffon sec. Prenez soin de ne pas érafler la lentille de la lampe sous peine de diminuer son éclairage.

## Fonctionnement de l'inverseur

► **Fig.6:** 1. Levier de l'inverseur

**⚠ATTENTION :** Vérifiez toujours le sens de rotation avant d'utiliser l'outil.

**⚠ATTENTION :** N'utilisez l'inverseur qu'une fois que l'outil est complètement arrêté. Si vous changez le sens de rotation avant l'arrêt de l'outil, vous risquez de l'endommager.

**⚠ATTENTION :** Lorsque vous n'utilisez pas l'outil, placez toujours le levier de l'inverseur en position neutre.

L'outil possède un inverseur qui permet de changer le sens de rotation. Enfoncez le levier de l'inverseur du côté A pour une rotation dans le sens des aiguilles d'une montre, ou du côté B pour une rotation dans le sens inverse des aiguilles d'une montre.

Le levier interrupteur ne peut pas être enclenché si le levier inverseur se trouve en position neutre.

## ASSEMBLAGE

**⚠ATTENTION :** Assurez-vous toujours que l'outil est hors tension et que sa batterie est retirée avant d'effectuer toute tâche dessus.

## Pose ou retrait du foret

*Accessoire en option*

**Pour le modèle DA332D**

► **Fig.7:** 1. Clé de mandrin

Pour installer le foret, insérez-le à fond dans le mandrin. Serrez manuellement le mandrin. Placez la clé de mandrin dans chacun des trois orifices et serrez dans le sens des aiguilles d'une montre. Assurez-vous de serrer les trois orifices du mandrin de manière uniforme. Pour retirer le foret, tournez la clé de mandrin dans le sens inverse des aiguilles d'une montre dans un seul orifice, puis desserrez manuellement le mandrin. Après utilisation, remettez la clé de mandrin dans la cavité de rangement sur l'outil.

**Pour le modèle DA333D**

► **Fig.8:** 1. Manchon

Tenez fermement l'outil et tournez le manchon dans le sens inverse des aiguilles d'une montre pour ouvrir les mâchoires du mandrin. Insérez le foret à fond dans le mandrin. Tenez fermement l'outil et tournez le manchon dans le sens des aiguilles d'une montre pour serrer le mandrin.

Pour retirer le foret, tenez fermement l'outil et tournez le manchon dans le sens inverse des aiguilles d'une montre.

## Installation du crochet

► **Fig.9:** 1. Rainure 2. Crochet 3. Vis

L'outil est équipé d'un crochet pratique qui permet de l'accrocher temporairement. Ce crochet s'installe d'un côté comme de l'autre de l'outil. Pour installer le crochet, insérez-le dans une des rainures situées de chaque côté du carter de l'outil, puis serrez-le avec une vis. Pour l'enlever, desserrez la vis et retirez-le.

## Porte-clé de mandrin

*Pour le modèle DA332D uniquement (accessoire en option)*

► **Fig.10:** 1. Porte-clé de mandrin 2. Vis

Pour installer le porte-clé de mandrin, placez-le dans la partie convexe du carter de l'outil sur l'un des deux côtés, puis fixez-le avec une vis. Pour le retirer, desserrez la vis et enlevez-le.

## UTILISATION

**⚠ATTENTION :** Insérez toujours la batterie à fond jusqu'à ce qu'elle se verrouille en place. Si le voyant rouge sur le dessus du bouton est visible, cela signifie qu'elle n'est pas bien verrouillée. Insérez-la complètement jusqu'à ce que le voyant rouge ne soit plus visible. Sinon, elle pourrait tomber accidentellement de l'outil, au risque de vous blesser ou de blesser quelqu'un se trouvant près de vous.

**⚠ATTENTION :** Lorsque la vitesse diminue considérablement, réduisez la charge ou arrêtez l'outil pour éviter de l'abîmer.

**⚠ATTENTION :** Tenez fermement l'outil avec une main sur la partie poignée de l'outil lorsque vous l'utilisez.

**Pour le modèle DA332D**

► **Fig.11**

**Pour le modèle DA333D**

► **Fig.12**

## Perçage

### Perçage dans le bois

Lorsque vous percez dans le bois, vous obtiendrez un résultat optimal avec un foret à bois équipé d'une vis de guidage. La vis de guidage facilite le perçage en entraînant le foret dans la pièce.

### Perçage dans le métal

Pour que le foret ne glisse pas quand vous commencez à percer le trou, faites une entaille à l'aide d'un pointeau et d'un marteau à l'emplacement prévu pour le trou. Placez la pointe du foret dans l'entaille et commencez à percer.

Utilisez un lubrifiant de coupe pour percer les métaux. Seuls le fer et le laiton doivent être percés à sec.

**⚠ ATTENTION** : Une pression excessive sur l'outil n'accéléra pas le perçage. En fait, la pression excessive abîmera la pointe du foret, provoquera une baisse de rendement de l'outil et réduira sa durée de service.

**⚠ ATTENTION** : Tenez l'outil fermement et redoublez d'attention lorsque le foret commence à sortir par la face opposée de la pièce. Une très grande force s'exerce sur l'outil/foret lorsque celui-ci émerge sur la face opposée.

**⚠ ATTENTION** : Un foret coincé peut être retiré en réglant simplement l'inverseur sur la rotation inverse pour faire marche arrière. L'outil peut toutefois faire brusquement marche arrière si vous ne le tenez pas fermement.

**⚠ ATTENTION** : Immobilisez toujours les pièces à travailler dans un étau ou un dispositif de retenue similaire.

**⚠ ATTENTION** : Si l'outil est utilisé de manière continue jusqu'à ce que la batterie se décharge, laissez-le reposer 15 minutes avant de poursuivre le travail avec une batterie fraîchement chargée.

**NOTE** : Il se peut que certains éléments de la liste soient compris dans l'emballage de l'outil en tant qu'accessoires standard. Ils peuvent varier d'un pays à l'autre.

## ENTRETIEN

**⚠ ATTENTION** : Assurez-vous toujours que l'outil est hors tension et que la batterie est retirée avant d'y effectuer tout travail d'inspection ou d'entretien.

**REMARQUE** : N'utilisez jamais d'essence, benzène, diluant, alcool ou autre produit similaire. Cela risquerait de provoquer la décoloration, la déformation ou la fissuration de l'outil.

Pour assurer la SÉCURITÉ et la FIABILITÉ du produit, toute réparation, tout travail d'entretien ou de réglage doivent être effectués par un centre d'entretien Makita agréé, avec des pièces de rechange Makita.

## ACCESSOIRES EN OPTION

**⚠ ATTENTION** : Ces accessoires ou pièces complémentaires sont recommandés pour l'utilisation avec l'outil Makita spécifié dans ce mode d'emploi. L'utilisation de tout autre accessoire ou pièce complémentaire peut comporter un risque de blessure. N'utilisez les accessoires ou pièces complémentaires qu'aux fins auxquelles ils ont été conçus.

Pour obtenir plus de détails sur ces accessoires, contactez votre centre d'entretien local Makita.

- Forets
- Clé de mandrin
- Porte-clé de mandrin
- Crochet
- Étui de transport en plastique
- Batterie et chargeur Makita d'origine

## TECHNISCHE DATEN

Modell:		DA332D	DA333D
Bohrkapazitäten	Stahl	10 mm	
	Holz	12 mm	
Leerlaufdrehzahl		0 - 1.100 min <sup>-1</sup>	
Gesamtlänge		313 mm - 332 mm	
Nennspannung		10,8 V Gleichstrom - 12 V max.	
Akku		BL1015 / BL1016 / BL1020B / BL1021B / BL1040B / BL1041B	
Nettogewicht		1,2 - 1,3 kg	1,2 - 1,4 kg

- Wir behalten uns vor, Änderungen der technischen Daten im Zuge der Entwicklung und des technischen Fortschritts ohne vorherige Ankündigung vorzunehmen.
- Die technischen Daten und der Akku können von Land zu Land unterschiedlich sein.
- Das Gewicht kann abhängig von dem Aufsatz (den Aufsätzen), einschließlich des Akkus, unterschiedlich sein. Die leichteste und die schwerste Kombination, gemäß dem EPTA-Verfahren 01/2014, sind in der Tabelle angegeben.

### Vorgesehene Verwendung

Das Werkzeug ist für Bohren in Holz, Metall und Kunststoff vorgesehen.

### Geräusch

Typischer A-bewerteter Geräuschpegel ermittelt gemäß EN60745:

#### Modell DA332D

Schalldruckpegel ( $L_{pA}$ ): 70 dB (A) oder weniger  
Messunsicherheit (K): 3 dB (A)

#### Modell DA333D

Schalldruckpegel ( $L_{pA}$ ): 70 dB (A) oder weniger  
Messunsicherheit (K): 3 dB (A)

Der Geräuschpegel kann während des Betriebs 80 dB (A) überschreiten.

**⚠️ WARNUNG:** Einen Gehörschutz tragen.

### Schwingungen

Schwingungsgesamtwert (Drei-Achsen-Vektorsumme) ermittelt gemäß EN60745:

#### Modell DA332D

Arbeitsmodus: Bohren in Metall  
Schwingungsemission ( $a_{n,D}$ ): 2,5 m/s<sup>2</sup> oder weniger  
Messunsicherheit (K): 1,5 m/s<sup>2</sup>

#### Modell DA333D

Arbeitsmodus: Bohren in Metall  
Schwingungsemission ( $a_{n,D}$ ): 3,0 m/s<sup>2</sup>  
Messunsicherheit (K): 1,5 m/s<sup>2</sup>

**HINWEIS:** Der angegebene Schwingungsemissionswert wurde im Einklang mit der Standardprüfmethode gemessen und kann für den Vergleich zwischen Werkzeugen herangezogen werden.

**HINWEIS:** Der angegebene Schwingungsemissionswert kann auch für eine Vorbewertung des Gefährdungsgrads verwendet werden.

**⚠️ WARNUNG:** Die Schwingungsemission während der tatsächlichen Benutzung des Elektrowerkzeugs kann je nach der Benutzungsweise des Werkzeugs vom angegebenen Emissionswert abweichen.

**⚠️ WARNUNG:** Identifizieren Sie Sicherheitsmaßnahmen zum Schutz des Benutzers anhand einer Schätzung des Gefährdungsgrads unter den tatsächlichen Benutzungsbedingungen (unter Berücksichtigung aller Phasen des Arbeitszyklus, wie z. B. Ausschalt- und Leerlaufzeiten des Werkzeugs zusätzlich zur Betriebszeit).

### EG-Konformitätserklärung

#### Nur für europäische Länder

Die EG-Konformitätserklärung ist als Anhang A in dieser Bedienungsanleitung enthalten.

## SICHERHEITSWARNUNGEN

### Allgemeine Sicherheitswarnungen für Elektrowerkzeuge

**⚠️ WARNUNG:** Lesen Sie alle mit diesem Elektrowerkzeug gelieferten Sicherheitswarnungen, Anweisungen, Abbildungen und technischen Daten durch. Eine Missachtung der unten aufgeführten Anweisungen kann zu einem elektrischen Schlag, Brand und/oder schweren Verletzungen führen.

### Bewahren Sie alle Warnungen und Anweisungen für spätere Bezugnahme auf.

Der Ausdruck „Elektrowerkzeug“ in den Warnhinweisen bezieht sich auf Ihr mit Netzstrom (mit Kabel) oder Akku (ohne Kabel) betriebenes Elektrowerkzeug.

## Sicherheitswarnungen für Akku-Bohrschrauber

1. Benutzen Sie (einen) Zusatzgriff(e), sofern er (sie) mit dem Werkzeug geliefert wurde(n). Verlust der Kontrolle kann Personenschäden verursachen.
2. Halten Sie das Elektrowerkzeug an den isolierten Griffflächen, wenn Sie Arbeiten ausführen, bei denen die Gefahr besteht, dass das Schneidwerkzeug verborgene Kabel kontaktiert. Bei Kontakt mit einem Strom führenden Kabel können die freiliegenden Metallteile des Elektrowerkzeugs ebenfalls Strom führend werden, so dass der Benutzer einen elektrischen Schlag erleiden kann.
3. Achten Sie stets auf sicheren Stand. Vergewissern Sie sich bei Einsatz des Werkzeugs an hochgelegenen Arbeitsplätzen, dass sich keine Personen darunter aufhalten.
4. Halten Sie das Werkzeug mit festem Griff.
5. Halten Sie Ihre Hände von rotierenden Teilen fern.
6. Lassen Sie das Werkzeug nicht unbeaufsichtigt laufen. Benutzen Sie das Werkzeug nur mit Handhaltung.
7. Vermeiden Sie eine Berührung des Bohrereinsatzes oder des Werkstücks unmittelbar nach der Bearbeitung, weil die Teile noch sehr heiß sind und Hautverbrennungen verursachen können.
8. Manche Materialien können giftige Chemikalien enthalten. Treffen Sie Vorsichtsmaßnahmen, um das Einatmen von Arbeitsstaub und Hautkontakt zu verhüten. Befolgen Sie die Sicherheitsdaten des Materiallieferanten.
9. Falls der Bohrereinsatz selbst durch Öffnen der Futterbacken nicht gelöst werden kann, ziehen Sie ihn mit einer Zange heraus. In einem solchen Fall kann Herausziehen des Bohrereinsatzes von Hand zu einer Verletzung durch seine scharfe Kante führen.

## DIESE ANWEISUNGEN AUFBEWAHREN.

**⚠️ WARNUNG:** Lassen Sie sich NICHT durch Bequemlichkeit oder Vertrautheit mit dem Produkt (durch wiederholten Gebrauch erworben) von der strikten Einhaltung der Sicherheitsregeln für das vorliegende Produkt abhalten. MISSBRAUCH oder Missachtung der Sicherheitsvorschriften in dieser Anleitung können schwere Verletzungen verursachen.

## Wichtige Sicherheitsanweisungen für Akku

1. Lesen Sie vor der Benutzung des Akkus alle Anweisungen und Warnhinweise, die an (1) Ladegerät, (2) Akku und (3) Akkuwerkzeug angebracht sind.
2. Unterlassen Sie ein Zerlegen des Akkus.
3. Falls die Betriebszeit beträchtlich kürzer geworden ist, stellen Sie den Betrieb sofort ein. Anderenfalls besteht die Gefahr von Überhitzung, möglichen Verbrennungen und sogar einer Explosion.

4. Falls Elektrolyt in Ihre Augen gelangt, waschen Sie sie mit sauberem Wasser aus, und begeben Sie sich unverzüglich in ärztliche Behandlung. Anderenfalls können Sie Ihre Sehkraft verlieren.
5. Der Akku darf nicht kurzgeschlossen werden:
  - (1) Die Kontakte dürfen nicht mit leitfähigem Material berührt werden.
  - (2) Lagern Sie den Akku nicht in einem Behälter zusammen mit anderen Metallgegenständen, wie z. B. Nägel, Münzen usw.
  - (3) Setzen Sie den Akku weder Wasser noch Regen aus.  
Ein Kurzschluss des Akkus verursacht starken Stromfluss, der Überhitzung, mögliche Verbrennungen und einen Defekt zur Folge haben kann.
6. Lagern Sie das Werkzeug und den Akku nicht an Orten, an denen die Temperatur 50 °C erreichen oder überschreiten kann.
7. Versuchen Sie niemals, den Akku zu verbrennen, selbst wenn er stark beschädigt oder vollkommen verbraucht ist. Der Akku kann im Feuer explodieren.
8. Achten Sie darauf, dass der Akku nicht fallen gelassen oder Stößen ausgesetzt wird.
9. Benutzen Sie keine beschädigten Akkus.
10. Die enthaltenen Lithium-Ionen-Akkus unterliegen den Anforderungen der Gefahrgut-Gesetzgebung. Für kommerzielle Transporte, z. B. durch Dritte oder Spediteure, müssen besondere Anforderungen zu Verpackung und Etikettierung beachtet werden. Zur Vorbereitung des zu transportierenden Artikels ist eine Beratung durch einen Experten für Gefahrgut erforderlich. Bitte beachten Sie möglicherweise ausführlichere nationale Vorschriften. Überkleben oder verdecken Sie offene Kontakte, und verpacken Sie den Akku so, dass er sich in der Verpackung nicht umher bewegen kann.
11. Befolgen Sie die örtlichen Bestimmungen bezüglich der Entsorgung von Akkus.

## DIESE ANWEISUNGEN AUFBEWAHREN.

**⚠️ VORSICHT:** Verwenden Sie nur Original-Makita-Akkus. Die Verwendung von Nicht-Original-Makita-Akkus oder von Akkus, die abgeändert worden sind, kann zum Bersten des Akkus und daraus resultierenden Bränden, Personenschäden und Beschädigung führen. Außerdem wird dadurch die Makita-Garantie für das Makita-Werkzeug und -Ladegerät ungültig.

## Hinweise zur Aufrechterhaltung der maximalen Akku-Nutzungsdauer

1. Laden Sie den Akku, bevor er vollkommen erschöpft ist. Schalten Sie das Werkzeug stets aus, und laden Sie den Akku, wenn Sie ein Nachlassen der Werkzeugleistung feststellen.
2. Unterlassen Sie erneutes Laden eines voll aufgeladenen Akkus. Überladen führt zu einer Verkürzung der Nutzungsdauer des Akkus.
3. Laden Sie den Akku bei Raumtemperatur zwischen 10 – 40 °C. Lassen Sie einen heißen Akku abkühlen, bevor Sie ihn laden.

# FUNKTIONSBESCHREIBUNG

**⚠ VORSICHT:** Vergewissern Sie sich vor der Durchführung von Einstellungen oder Funktionsprüfungen des Werkzeugs stets, dass das Werkzeug ausgeschaltet und der Akku abgenommen ist.

## Anbringen und Abnehmen des Akkus

**⚠ VORSICHT:** Schalten Sie das Werkzeug stets aus, bevor Sie den Akku anbringen oder abnehmen.

**⚠ VORSICHT:** Halten Sie das Werkzeug und den Akku beim Anbringen oder Abnehmen des Akkus sicher fest. Wenn Sie das Werkzeug und den Akku nicht sicher festhalten, können sie Ihnen aus der Hand rutschen, was zu einer Beschädigung des Werkzeugs und des Akkus und zu Körperverletzungen führen kann.

► **Abb. 1:** 1. Rote Anzeige 2. Knopf 3. Akku

Ziehen Sie den Akku zum Abnehmen vom Werkzeug ab, während Sie den Knopf an der Vorderseite des Akkus verschieben.

Richten Sie zum Anbringen des Akkus dessen Führungsfeder auf die Nut im Gehäuse aus, und schieben Sie den Akku hinein. Schieben Sie ihn vollständig ein, bis er mit einem hörbaren Klicken einrastet. Falls die rote Anzeige an der Oberseite des Knopfes sichtbar ist, ist der Akku nicht vollständig verriegelt.

**⚠ VORSICHT:** Schieben Sie den Akku stets bis zum Anschlag ein, bis die rote Anzeige nicht mehr sichtbar ist. Anderenfalls kann er aus dem Werkzeug herausfallen und Sie oder umstehende Personen verletzen.

**⚠ VORSICHT:** Unterlassen Sie Gewaltanwendung beim Anbringen des Akkus. Falls der Akku nicht reibungslos hineingleitet, ist er nicht richtig ausgerichtet.

## Anzeigen der Akku-Restkapazität

*Nur für Akkus mit Anzeige*

► **Abb. 2:** 1. Anzeigelampen 2. Prüftaste

Drücken Sie die Prüftaste am Akku, um die Akku-Restkapazität anzuzeigen. Die Anzeigelampen leuchten wenige Sekunden lang auf.

Anzeigelampen		Restkapazität
Erleuchtet	Aus	
■	□	75% bis 100%
■ ■ ■ ■		
■ ■ ■ □		50% bis 75%
■ ■ □ □		25% bis 50%
■ □ □ □		0% bis 25%

**HINWEIS:** Abhängig von den Benutzungsbedingungen und der Umgebungstemperatur kann die Anzeige geringfügig von der tatsächlichen Kapazität abweichen.

## Akku-Schutzsystem

Das Werkzeug ist mit einem Akku-Schutzsystem ausgestattet. Dieses System schaltet die Stromversorgung des Motors automatisch ab, um die Akku-Lebensdauer zu verlängern.

Das Werkzeug schaltet sich während des Betriebs automatisch ab, wenn Werkzeug und/oder Akku einer der folgenden Bedingungen unterliegen:

### Überlastung:

Das Werkzeug wird auf eine Weise benutzt, die eine ungewöhnlich hohe Stromaufnahme bewirkt. Schalten Sie in dieser Situation das Werkzeug aus, und brechen Sie die Arbeit ab, die eine Überlastung des Werkzeugs verursacht hat. Schalten Sie dann das Werkzeug wieder ein, um neu zu starten. Falls das Werkzeug nicht startet, ist der Akku überhitzt. Lassen Sie den Akku in dieser Situation abkühlen, bevor Sie das Werkzeug wieder einschalten.

### Niedrige Akkuspannung:

Die Akku-Restkapazität ist zu niedrig, und das Werkzeug funktioniert nicht. Wenn Sie das Werkzeug einschalten, läuft der Motor nicht, oder er läuft wieder, bleibt aber bald stehen. Nehmen Sie in dieser Situation den Akku ab, und laden Sie ihn auf.

## Schalterfunktion

**⚠ VORSICHT:** Vergewissern Sie sich vor dem Anbringen des Akkus am Werkzeug stets, dass der Schalthebel ordnungsgemäß funktioniert und beim Loslassen in die AUS-Stellung zurückkehrt.

**⚠ VORSICHT:** Halten Sie das Werkzeug vor dem Ausschalten gut fest.

► **Abb. 3:** 1. Schalthebel

Zum Einschalten des Werkzeugs drücken Sie einfach den Schalthebel. Die Werkzeugdrehzahl erhöht sich durch verstärkte Druckausübung auf den Schalthebel. Zum Anhalten lassen Sie den Schalthebel los.

## Einschalten der Frontlampe

**⚠ VORSICHT:** Blicken Sie nicht direkt in die Lampe oder die Lichtquelle.

Für Modell DA332D

► **Abb. 4:** 1. Lampe

Für Modell DA333D

► **Abb. 5:** 1. Lampe

Betätigen Sie den Schalthebel, um die Lampe einzuschalten. Die Lampe bleibt erleuchtet, solange der Schalthebel gedrückt gehalten wird. Die Lampe erlischt automatisch ca. 10 Sekunden nach dem Loslassen des Schalthebels.



**HINWEIS:** Wischen Sie Schmutz auf der Lampenlinse mit einem trockenen Tuch ab. Achten Sie sorgfältig darauf, dass Sie die Lampenlinse nicht verkratzen, weil sich sonst die Lichtstärke verringert.

## Funktion des Drehrichtungsumschalters

► **Abb.6:** 1. Drehrichtungsumschalthebel

**⚠ VORSICHT:** Prüfen Sie stets die Drehrichtung, bevor Sie mit der Arbeit beginnen.

**⚠ VORSICHT:** Betätigen Sie den Drehrichtungsumschalter erst, nachdem das Werkzeug völlig zum Stillstand gekommen ist. Durch Umschalten der Drehrichtung bei noch laufendem Werkzeug kann das Werkzeug beschädigt werden.

**⚠ VORSICHT:** Stellen Sie den Drehrichtungsumschalthebel stets auf die Neutralstellung, wenn Sie das Werkzeug nicht benutzen.

Dieses Werkzeug besitzt einen Drehrichtungsumschalter. Drücken Sie auf die Seite A des Drehrichtungsumschalthebels für Rechtsdrehung, und auf die Seite B für Linksdrehung. In der Neutralstellung des Drehrichtungsumschalthebels kann der Schalthebel nicht betätigt werden.

## MONTAGE

**⚠ VORSICHT:** Vergewissern Sie sich vor der Ausführung von Arbeiten am Werkzeug stets, dass das Werkzeug ausgeschaltet und der Akku abgenommen ist.

## Montage und Demontage des Bohrereinsatzes

*Sonderzubehör*

Für Modell DA332D

► **Abb.7:** 1. Futterschlüssel

Zum Montieren führen Sie den Bohrereinsatz bis zum Anschlag in das Bohrfutter ein. Ziehen Sie das Futter von Hand an. Setzen Sie den Futterschlüssel in jedes der drei Löcher ein, und drehen Sie ihn im Uhrzeigersinn. Ziehen Sie das Futter in allen drei Löchern mit gleicher Kraft an.

Führen Sie den Bohrfutterschlüssel zum Demontieren des Bohrereinsatzes nur in ein Loch ein, und drehen Sie ihn entgegen dem Uhrzeigersinn, bevor Sie das Futter von Hand lösen.

Setzen Sie den Futterschlüssel nach Gebrauch wieder in das Staufach ein.

Für Modell DA333D

► **Abb.8:** 1. Werkzeugaufnahme

Halten Sie das Werkzeug fest, und drehen Sie die Werkzeugaufnahme entgegen dem Uhrzeigersinn, um die Futterbacken zu öffnen. Führen Sie den

Bohrereinsatz bis zum Anschlag in das Futter ein. Halten Sie das Werkzeug fest, und drehen Sie die Werkzeugaufnahme im Uhrzeigersinn, um das Futter festzuziehen.

Zum Entfernen des Bohrereinsatzes halten Sie das Werkzeug fest, während Sie die Werkzeugaufnahme entgegen dem Uhrzeigersinn drehen.

## Montieren des Aufhängers

► **Abb.9:** 1. Führungsnut 2. Aufhänger 3. Schraube

Der Aufhänger ist praktisch, um das Werkzeug vorübergehend aufzuhängen. Der Aufhänger kann auf beiden Seiten des Werkzeugs angebracht werden. Um den Aufhänger anzubringen, führen Sie ihn in die Nut entweder auf der linken oder rechten Seite des Werkzeuggehäuses ein, und sichern Sie ihn dann mit einer Schraube. Um den Aufhänger zu entfernen, lösen Sie die Schraube, und nehmen Sie dann den Aufhänger heraus.

## Futterschlüsselhalter

*Nur für Modell DA332D (Sonderzubehör)*

► **Abb.10:** 1. Futterschlüsselhalter 2. Schraube

Bringen Sie den Futterschlüsselhalter am gewölbten Teil des Gehäuses auf einer der beiden Seiten an, und sichern Sie ihn dann mit einer Schraube. Um ihn zu entfernen, lösen Sie die Schraube, und nehmen Sie dann ihn heraus.

## BETRIEB

**⚠ VORSICHT:** Führen Sie den Akku immer vollständig ein, bis er einrastet. Falls die rote Anzeige an der Oberseite des Knopfes sichtbar ist, ist der Akku nicht vollständig verriegelt. Schieben Sie ihn bis zum Anschlag ein, bis die rote Anzeige nicht mehr sichtbar ist. Anderenfalls kann er aus dem Werkzeug herausfallen und Sie oder umstehende Personen verletzen.

**⚠ VORSICHT:** Wenn die Drehzahl sehr stark abfällt, verringern Sie die Last, oder halten Sie das Werkzeug an, um Beschädigung des Werkzeugs zu vermeiden.

**⚠ VORSICHT:** Halten Sie das Werkzeug während der Arbeit mit einer Hand am Griffteil fest.

Für Modell DA332D

► **Abb.11**

Für Modell DA333D

► **Abb.12**

## Bohrbetrieb

### Bohren in Holz

Beim Bohren in Holz lassen sich die besten Ergebnisse mit Holzbohrern erzielen, die mit einer Zentrierspitze ausgestattet sind. Die Zentrierspitze erleichtert das Bohren, da sie den Bohrereinsatz in das Werkstück hineinzieht.

## Bohren in Metall

Um Abrutschen des Bohrereinsatzes beim Anbohren zu vermeiden, empfiehlt es sich, die Bohrstelle mit einem Zentrierkörner anzukörnen. Setzen Sie dann die Spitze des Bohrereinsatzes in die Vertiefung, und beginnen Sie mit dem Bohren.

Verwenden Sie Schneidflüssigkeit beim Bohren von Metall. Eisen und Messing sollten jedoch trocken gebohrt werden.

**⚠ VORSICHT:** Übermäßige Druckausübung auf das Werkzeug bewirkt keine Beschleunigung der Bohrleistung. Im Gegenteil; übermäßiger Druck führt zu einer Beschädigung der Spitze des Bohrereinsatzes und damit zu einer Verringerung der Leistungsfähigkeit sowie zu einer Verkürzung der Lebensdauer des Werkzeugs.

**⚠ VORSICHT:** Halten Sie daher das Werkzeug mit festem Griff und lassen Sie Vorsicht walten, wenn der Bohrereinsatz im Begriff ist, aus dem Werkstück auszutreten. Beim Bohrungsdurchbruch wirkt ein hohes Rückdrehmoment auf Werkzeug und Bohrereinsatz.

**⚠ VORSICHT:** Ein festsitzender Bohrereinsatz lässt sich durch einfaches Umschalten der Drehrichtung wieder herausdrehen. Dabei sollten Sie aber das Werkzeug gut festhalten, damit es nicht ruckartig herausgestoßen wird.

**⚠ VORSICHT:** Spannen Sie Werkstücke stets in einen Schraubstock oder eine ähnliche Aufspannvorrichtung ein.

**⚠ VORSICHT:** Wenn das Werkzeug im Dauerbetrieb bis zur vollkommenen Entladung des Akkus benutzt wurde, lassen Sie das Werkzeug vor dem Fortsetzen des Betriebs mit einem frischen Akku 15 Minuten lang ruhen.

## SONDERZUBEHÖR

**⚠ VORSICHT:** Die folgenden Zubehörteile oder Vorrichtungen werden für den Einsatz mit dem in dieser Anleitung beschriebenen Makita-Werkzeug empfohlen. Die Verwendung anderer Zubehörteile oder Vorrichtungen kann eine Verletzungsgefahr darstellen. Verwenden Sie Zubehörteile oder Vorrichtungen nur für ihren vorgesehenen Zweck.

Wenn Sie weitere Einzelheiten bezüglich dieser Zubehörteile benötigen, wenden Sie sich bitte an Ihre Makita-Kundendienststelle.

- Bohrereinsätze
- Futterschlüssel
- Futterschlüsselhalter
- Aufhänger
- Plastikkoffer
- Original-Makita-Akku und -Ladegerät

**HINWEIS:** Manche Teile in der Liste können als Standardzubehör im Werkzeugsatz enthalten sein. Sie können von Land zu Land unterschiedlich sein.

## WARTUNG

**⚠ VORSICHT:** Vergewissern Sie sich vor der Durchführung von Inspektions- oder Wartungsarbeiten stets, dass das Werkzeug ausgeschaltet und der Akku abgenommen ist.

**ANMERKUNG:** Verwenden Sie auf keinen Fall Benzin, Waschbenzin, Verdünner, Alkohol oder dergleichen. Solche Mittel können Verfärbung, Verformung oder Rissbildung verursachen.

Um die SICHERHEIT und ZUVERLÄSSIGKEIT dieses Produkts zu gewährleisten, sollten Reparaturen und andere Wartungs- oder Einstellarbeiten nur von Makita-Vertragswerkstätten oder Makita-Kundendienstzentren unter ausschließlicher Verwendung von Makita-Originalersatzteilen ausgeführt werden.

## DATI TECNICI

Modello:		DA332D	DA333D
Capacità di foratura	Acciaio	10 mm	
	Legno	12 mm	
Velocità a vuoto		0 - 1.100 min <sup>-1</sup>	
Lunghezza totale		313 mm - 332 mm	
Tensione nominale		10,8 V - 12 V CC max	
Cartuccia della batteria		BL1015 / BL1016 / BL1020B / BL1021B / BL1040B / BL1041B	
Peso netto		1,2 - 1,3 kg	1,2 - 1,4 kg

- A causa del nostro programma continuativo di ricerca e sviluppo, i dati tecnici sono soggetti a modifiche senza preavviso.
- I dati tecnici e la cartuccia della batteria potrebbero differire da nazione a nazione.
- Il peso può variare a seconda dell'accessorio o degli accessori, inclusa la cartuccia della batteria. La combinazione più leggera e quella più pesante, secondo la procedura EPTA 01/2014, sono indicate nella tabella.

### Utilizzo previsto

Questo utensile è progettato per la foratura di legno, metallo e plastica.

### Rumore

Livello tipico di rumore pesato A determinato in base allo standard EN60745:

#### Modello DA332D

Livello di pressione sonora ( $L_{pA}$ ): 70 dB (A) o inferiore  
Incertezza (K): 3 dB (A)

#### Modello DA333D

Livello di pressione sonora ( $L_{pA}$ ): 70 dB (A) o inferiore  
Incertezza (K): 3 dB (A)

Il livello del rumore nelle condizioni di lavoro può superare gli 80 dB (A).

**AVVERTIMENTO:** Indossare protezioni per le orecchie.

### Vibrazioni

Valore totale delle vibrazioni (somma vettoriale triassiale) determinato in base allo standard EN60745:

#### Modello DA332D

Modalità di lavoro: foratura del metallo  
Emissione di vibrazioni ( $a_{h,D}$ ): 2,5 m/s<sup>2</sup> o inferiore  
Incertezza (K): 1,5 m/s<sup>2</sup>

#### Modello DA333D

Modalità di lavoro: foratura del metallo  
Emissione di vibrazioni ( $a_{h,D}$ ): 3,0 m/s<sup>2</sup>  
Incertezza (K): 1,5 m/s<sup>2</sup>

**NOTA:** Il valore di emissione delle vibrazioni dichiarato è stato misurato in conformità al metodo standard di verifica, e può essere utilizzato per confrontare un utensile con un altro.

**NOTA:** Il valore di emissione delle vibrazioni dichiarato può venire utilizzato anche per una valutazione preliminare dell'esposizione.

**AVVERTIMENTO:** L'emissione delle vibrazioni durante l'utilizzo effettivo dell'utensile elettrico può variare rispetto al valore di emissione dichiarato, a seconda dei modi in cui viene utilizzato l'utensile.

**AVVERTIMENTO:** Accertarsi di identificare le misure di sicurezza per la protezione dell'operatore basate sulla stima dell'esposizione nelle condizioni effettive di utilizzo (tenendo presente tutte le parti del ciclo operativo, ad esempio le volte in cui l'utensile viene spento e quando gira a vuoto, oltre al tempo di attivazione).

### Dichiarazione di conformità CE

#### Solo per i paesi europei

La dichiarazione di conformità CE è inclusa nell'Allegato A al presente manuale di istruzioni.

## AVVERTENZE DI SICUREZZA

### Avvertenze generali relative alla sicurezza dell'utensile elettrico

**AVVERTIMENTO:** Leggere tutte le avvertenze di sicurezza, le istruzioni, le illustrazioni e i dati tecnici forniti con il presente utensile elettrico. La mancata osservanza di tutte le istruzioni elencate di seguito potrebbe risultare in scosse elettriche, incendi e/o gravi lesioni personali.

### Conservare tutte le avvertenze e le istruzioni come riferimento futuro.

Il termine "utensile elettrico" nelle avvertenze si riferisce sia all'utensile elettrico (cablato) nel funzionamento alimentato da rete elettrica che all'utensile elettrico (a batteria) nel funzionamento alimentato a batteria.

## Avvertenze per la sicurezza del trapano a batteria

1. **Utilizzare la maniglia o le maniglie ausiliarie, se in dotazione con l'utensile.** La perdita di controllo può causare lesioni personali.
2. **Mantenere l'utensile elettrico per le sue superfici di impugnatura isolate quando si intende eseguire un'operazione in cui l'accessorio da taglio potrebbe entrare in contatto con fili elettrici nascosti.** Un accessorio di taglio che entri in contatto con un filo elettrico sotto tensione potrebbe mettere sotto tensione le parti metalliche esposte dell'utensile elettrico e dare una scossa elettrica all'operatore.
3. **Accertarsi sempre di appoggiare i piedi saldamente.** Quando si intende utilizzare l'utensile in ubicazioni elevate, accertarsi sempre che non sia presente alcuna persona sotto.
4. **Tenere saldamente l'utensile.**
5. **Tenere le mani lontane dalle parti rotanti.**
6. **Non lasciare l'utensile mentre sta funzionando.** Far funzionare l'utensile solo mentre lo si tiene in mano.
7. **Non toccare la punta per trapano o il pezzo immediatamente dopo l'uso;** la loro temperatura potrebbe essere estremamente elevata e potrebbero causare ustioni.
8. **Alcuni materiali contengono sostanze chimiche che potrebbero essere tossiche.** Fare attenzione a evitare l'inalazione della polvere e il contatto con la pelle. Attenersi ai dati relativi alla sicurezza del fornitore del materiale.
9. **Qualora non sia possibile liberare la punta per trapano anche se si aprono le griffe, utilizzare delle pinze per estrarla.** In questa circostanza, qualora si estraiga la punta per trapano con la mano, si potrebbero causare lesioni personali dovute al suo bordo affilato.

## CONSERVARE LE PRESENTI ISTRUZIONI.

**⚠AVVERTIMENTO:** NON lasciare che la comodità o la familiarità d'uso con il prodotto (acquisita con l'uso ripetuto) sostituiscano la stretta osservanza delle norme di sicurezza. L'USO IMPROPRIO o la mancata osservanza delle norme di sicurezza riportate nel presente manuale di istruzioni potrebbero causare lesioni personali gravi.

## Istruzioni di sicurezza importanti per la cartuccia della batteria

1. **Prima di utilizzare la cartuccia della batteria, leggere tutte le istruzioni e le avvertenze riportate (1) sul caricabatteria, (2) sulla batteria e (3) sul prodotto che utilizza la batteria.**
2. **Non smontare la cartuccia della batteria.**
3. **Qualora il tempo di utilizzo si riduca eccessivamente, interrompere immediatamente l'utilizzo dell'utensile.** In caso contrario, si può incorrere nel rischio di surriscaldamento, possibili ustioni e persino un'esplosione.
4. **Qualora l'elettrolita entri in contatto con gli occhi, sciacquarli con acqua pulita e richiedere immediatamente assistenza medica.** Questa eventualità può risultare nella perdita della vista.

5. **Non cortocircuitare la cartuccia della batteria:**
  - (1) **Non toccare i terminali con alcun materiale conduttivo.**
  - (2) **Evitare di conservare la cartuccia della batteria in un contenitore insieme ad altri oggetti metallici quali chiodi, monete, e così via.**
  - (3) **Non esporre la cartuccia della batteria all'acqua o alla pioggia.**

Un cortocircuito della batteria può causare un grande flusso di corrente, un surriscaldamento, possibili ustioni e persino un guasto.

6. **Non conservare l'utensile e la cartuccia della batteria in ubicazioni in cui la temperatura possa raggiungere o superare i 50°C.**
7. **Non incenerire la cartuccia della batteria anche qualora sia gravemente danneggiata o completamente esaurita.** La cartuccia della batteria può esplodere se a contatto con il fuoco.
8. **Fare attenzione a non far cadere e a non colpire la batteria.**
9. **Non utilizzare una batteria danneggiata.**
10. **Le batterie a ioni di litio contenute sono soggette ai requisiti del regolamento sul trasporto di merci pericolose (Dangerous Goods Legislation).**  
Per trasporti commerciali, ad esempio da parte di terzi o spedizionieri, è necessario osservare dei requisiti speciali sull'imballaggio e sull'etichetta. Per la preparazione dell'articolo da spedire, è richiesta la consulenza di un esperto in materiali pericolosi. Attenersi anche alle normative nazionali, che potrebbero essere più dettagliate. Nastrare o coprire i contatti aperti e imballare la batteria in modo tale che non si possa muovere liberamente all'interno dell'imballaggio.
11. **Attenersi alle normative locali relative allo smaltimento della batteria.**

## CONSERVARE LE PRESENTI ISTRUZIONI.

**⚠ATTENZIONE:** Utilizzare solo batterie originali Makita. L'utilizzo di batterie Makita non originali, o di batterie che siano state alterate, potrebbe risultare nello scoppio della batteria, causando incendi, lesioni personali e danni. Inoltre, ciò potrebbe invalidare la garanzia Makita per l'utensile e il caricabatterie Makita.

## Suggerimenti per preservare la durata massima della batteria

1. **Caricare la cartuccia della batteria prima che si scarichi completamente.** Smettere sempre di utilizzare l'utensile e caricare la cartuccia della batteria quando si nota che la potenza dell'utensile è diminuita.
2. **Non ricaricare mai una cartuccia della batteria completamente carica.** La sovraccarica riduce la vita utile della batteria.
3. **Caricare la cartuccia della batteria a una temperatura ambiente compresa tra 10°C e 40°C.** Lasciar raffreddare una cartuccia della batteria prima di caricarla.

## DESCRIZIONE DELLE FUNZIONI

**⚠ATTENZIONE:** Accertarsi sempre che l'utensile sia spento e che la cartuccia della batteria sia stata rimossa prima di regolare o di controllare il funzionamento dell'utensile.

### Installazione o rimozione della cartuccia della batteria

**⚠ATTENZIONE:** Spegnerne sempre l'utensile prima di installare o rimuovere la cartuccia della batteria.

**⚠ATTENZIONE:** Mantenere saldamente lo strumento e la batteria quando si intende installare o rimuovere la cartuccia della batteria. Qualora non si mantengano saldamente lo strumento e la cartuccia della batteria, questi ultimi potrebbero scivolare dalle mani, con la possibilità di causare un danneggiamento dello strumento e della cartuccia della batteria, nonché una lesione personale.

► **Fig. 1:** 1. Indicatore rosso 2. Pulsante 3. Cartuccia della batteria

Per rimuovere la cartuccia della batteria, farla scorrere via dall'utensile mentre si fa scorrere allo stesso tempo il pulsante sulla parte anteriore della cartuccia.

Per installare la cartuccia della batteria, allineare l'appendice della batteria con la scanalatura nell'alloggiamento e farla scivolare in sede. Inserirla completamente fino al suo blocco in sede con un leggero scatto. Se è possibile vedere l'indicatore rosso sul lato superiore del pulsante, la batteria non è bloccata completamente.

**⚠ATTENZIONE:** Installare sempre fino in fondo la cartuccia della batteria, fino a quando l'indicatore rosso non è più visibile. In caso contrario, la batteria potrebbe cadere accidentalmente dall'utensile, causando lesioni personali all'operatore o a chi gli è vicino.

**⚠ATTENZIONE:** Non installare forzatamente la cartuccia della batteria. Qualora la batteria non si inserisca scorrendo agevolmente, vuol dire che non viene inserita correttamente.

### Indicazione della carica residua della batteria

*Solo per cartucce delle batterie dotate di indicatore*

► **Fig. 2:** 1. Indicatori luminosi 2. Pulsante di controllo

Premere il pulsante di controllo sulla cartuccia della batteria per indicare la carica residua della batteria. Gli indicatori luminosi si illuminano per alcuni secondi.

Indicatori luminosi		Carica residua
■ Illuminato	□ Spento	
■ ■ ■ ■		Dal 75% al 100%
■ ■ ■ □		Dal 50% al 75%
■ ■ □ □		Dal 25% al 50%
■ □ □ □		Dallo 0% al 25%

**NOTA:** A seconda delle condizioni d'uso e della temperatura ambiente, l'indicazione potrebbe variare leggermente rispetto alla carica effettiva.

### Sistema di protezione della batteria

L'utensile è dotato di un sistema di protezione della batteria. Questo sistema interrompe automaticamente l'alimentazione al motore per prolungare la vita utile della batteria.

L'utensile si arresta automaticamente durante il funzionamento qualora l'utensile stesso e/o la batteria vengano a trovarsi in una delle condizioni seguenti:

#### Sovraccarico:

L'utensile viene utilizzato in modo tale da causare un assorbimento di corrente elevato in modo anomalo da parte dell'utensile stesso.

In questa situazione, spegnere l'utensile e interrompere l'applicazione che ha causato il sovraccarico dell'utensile. Quindi, accendere l'utensile per ricominciare. Qualora l'utensile non si avvii, la batteria è surriscaldata. In questa situazione, lasciar raffreddare la batteria prima di riaccendere l'utensile.

#### Bassa tensione della batteria:

La carica residua della batteria è troppo bassa e l'utensile non funziona. Se si accende l'utensile, il motore non gira, oppure gira di nuovo ma si arresta in breve tempo. In questa situazione, rimuovere e ricaricare la batteria.

### Funzionamento dell'interruttore

**⚠ATTENZIONE:** Prima di installare la cartuccia della batteria nell'utensile, controllare sempre che la leva dell'interruttore funzioni correttamente e torni sulla posizione "OFF" quando viene rilasciata.

**⚠ATTENZIONE:** Accertarsi di mantenere saldamente l'utensile prima di spegnerlo.

► **Fig. 3:** 1. Leva dell'interruttore

Per avviare l'utensile, è sufficiente premere la leva dell'interruttore. La velocità dell'utensile viene aumentata incrementando la pressione sulla leva dell'interruttore. Per arrestare l'utensile, rilasciare la leva dell'interruttore.

## Accensione della lampadina anteriore

**⚠ATTENZIONE:** Non osservare né guardare direttamente la fonte di luce.

Per il modello DA332D

► Fig.4: 1. Lampadina

Per il modello DA333D

► Fig.5: 1. Lampadina

Premere la leva dell'interruttore per accendere la lampadina. La lampadina resta accesa mentre si tiene premuta la leva dell'interruttore. La luce si spegne automaticamente circa 10 secondi dopo il rilascio della leva dell'interruttore.

**NOTA:** Per pulire la sporcizia dalla lente della lampadina, utilizzare un panno asciutto. Fare attenzione a non graffiare la lente della lampadina, altrimenti si potrebbe ridurre l'illuminazione.

## Uso del commutatore di inversione della rotazione

► Fig.6: 1. Leva del commutatore di inversione della rotazione

**⚠ATTENZIONE:** Controllare sempre la direzione di rotazione prima dell'uso.

**⚠ATTENZIONE:** Utilizzare il commutatore di inversione della rotazione solo dopo l'arresto completo dell'utensile. Qualora si cambi la direzione di rotazione prima dell'arresto dell'utensile, si potrebbe danneggiare quest'ultimo.

**⚠ATTENZIONE:** Quando l'utensile non è in uso, impostare sempre la leva del commutatore di inversione della rotazione sulla posizione centrale.

Questo utensile è dotato di un commutatore di inversione della rotazione, per cambiare la direzione di rotazione. Premere la leva del commutatore di inversione della rotazione dal lato A per la rotazione in senso orario, o dal lato B per la rotazione in senso antiorario. Quando la leva del commutatore di inversione della rotazione si trova sulla posizione centrale, non è possibile premere la leva dell'interruttore.

## MONTAGGIO

**⚠ATTENZIONE:** Accertarsi sempre che l'utensile sia spento e che la cartuccia della batteria sia stata rimossa, prima di effettuare qualsiasi intervento sull'utensile.

## Installazione o rimozione della punta per trapano

### Accessorio opzionale

Per il modello DA332D

► Fig.7: 1. Chiave del mandrino

Per installare la punta per trapano, inserirla nel mandrino fino in fondo. Serrare il mandrino con la mano. Inserire la chiave del mandrino in ciascuno dei tre fori e serrare in senso orario. Accertarsi di serrare tutti e tre i fori del mandrino in modo omogeneo.

Per rimuovere la punta per trapano, ruotare la chiave del mandrino in senso antiorario in un solo foro, quindi allentare il mandrino con la mano.

Dopo l'uso, riporre di nuovo la chiave del mandrino nell'apposita cavità presente nell'utensile.

Per il modello DA333D

► Fig.8: 1. Manicotto

Mantenere saldamente l'utensile e ruotare il manicotto in senso antiorario per aprire le griffe del mandrino.

Inserire la punta per trapano nel mandrino fino in fondo. Mantenere saldamente l'utensile e ruotare il manicotto in senso orario per serrare il mandrino.

Per rimuovere la punta per trapano, mantenere saldamente l'utensile e ruotare il manicotto in senso antiorario.

## Installazione del gancio

► Fig.9: 1. Scanalatura 2. Gancio 3. Vite

Il gancio è utile per appendere temporaneamente l'utensile. Può essere installato da entrambi i lati dell'utensile. Per installare il gancio, inserirlo in una scanalatura da uno dei lati del corpo dell'utensile, quindi fissarlo con una vite. Per rimuoverlo, allentare la vite ed estrarlo.

## Supporto per la chiave del mandrino

**Solo per il modello DA332D (accessorio opzionale)**

► Fig.10: 1. Supporto per la chiave del mandrino 2. Vite

Per installare il supporto per la chiave del mandrino, applicarlo alla parte convessa del corpo dell'utensile, da un lato o dall'altro, quindi fissarlo con una vite. Per rimuoverlo, allentare la vite, quindi estrarlo.

## FUNZIONAMENTO

**⚠ATTENZIONE:** Inserire sempre completamente la cartuccia della batteria, fino al suo arresto in sede. Qualora si veda l'indicatore rosso sul lato superiore del pulsante, la batteria non è bloccata completamente. Inserirla completamente, fino a quando l'indicatore rosso non è più visibile. In caso contrario, la batteria potrebbe fuoriuscire e cadere accidentalmente dall'utensile, causando lesioni personali all'operatore o a chi gli è vicino.

**⚠ATTENZIONE:** Quando la velocità si riduce notevolmente, ridurre il carico o arrestare l'utensile per evitare di danneggiare l'utensile.

**⚠ATTENZIONE:** Quando si utilizza l'utensile, mantenerlo saldamente con una mano dalla parte dell'impugnatura dell'utensile.

Per il modello DA332D

► Fig.11

Per il modello DA333D

► Fig.12

## Operazione di foratura

### Foratura del legno

Per la foratura del legno si ottengono i risultati migliori con i trapani per legno dotati di una vite guida. La vite guida rende più facile la foratura tirando la punta per trapano nel pezzo.

### Foratura del metallo

Per evitare lo scivolamento della punta all'inizio della foratura, utilizzare un punzone per centri e un martello per creare un'intaccatura nel punto da forare. Posizionare l'estremità della punta per trapano nell'intaccatura e iniziare la foratura.

Quando si intende forare metalli, utilizzare un lubrificante per taglio. Le eccezioni sono il ferro e l'ottone, che vanno forati a secco.

**⚠ATTENZIONE:** Se si esercita una pressione eccessiva sull'utensile, non si accelera la foratura. In realtà, tale pressione eccessiva produce solo l'effetto di danneggiare l'estremità della punta per trapano e di ridurre le prestazioni e la vita utile dell'utensile.

**⚠ATTENZIONE:** Tenere saldamente l'utensile e fare attenzione quando la punta per trapano inizia a fuoriuscire dal pezzo. Sull'utensile/punta per trapano viene esercitata una forza estrema al momento della fuoriuscita dal foro.

**⚠ATTENZIONE:** Una punta per trapano incastrata può venire rimossa semplicemente impostando il commutatore di inversione della rotazione sulla rotazione invertita, in modo da far tornare indietro l'utensile. Tuttavia, l'utensile potrebbe tornare indietro bruscamente, qualora non venga impugnato saldamente.

**⚠ATTENZIONE:** Fissare sempre i pezzi in lavorazione in una morsa o un dispositivo simile per tenerli fermi.

**⚠ATTENZIONE:** Qualora si faccia funzionare continuamente l'utensile fino allo scaricamento della cartuccia della batteria, lasciarlo riposare per 15 minuti prima di continuare a lavorare con una batteria nuova.

## MANUTENZIONE

**⚠ATTENZIONE:** Accertarsi sempre che l'utensile sia spento e che la cartuccia della batteria sia stata rimossa prima di tentare di eseguire interventi di ispezione o manutenzione.

**AVVISO:** Non utilizzare mai benzina, benzene, solventi, alcol o altre sostanze simili. In caso contrario, si potrebbero causare scolorimenti, deformazioni o crepe.

Per preservare la SICUREZZA e l'AFFIDABILITÀ del prodotto, le riparazioni e qualsiasi altro intervento di manutenzione e di regolazione devono essere eseguiti da un centro di assistenza autorizzato Makita, utilizzando sempre ricambi Makita.

## ACCESSORI OPZIONALI

**⚠ATTENZIONE:** Questi accessori o componenti aggiuntivi sono consigliati per l'uso con l'utensile Makita specificato nel presente manuale. L'impiego di altri accessori o componenti aggiuntivi può costituire un rischio di lesioni alle persone. Utilizzare gli accessori o i componenti aggiuntivi solo per il loro scopo prefissato.

Per ottenere ulteriori dettagli relativamente a questi accessori, rivolgersi a un centro di assistenza Makita.

- Punte per trapano
- Chiave del mandrino
- Supporto per la chiave del mandrino
- Gancio
- Valigetta di plastica
- Batteria e caricabatterie originali Makita

**NOTA:** Alcuni articoli nell'elenco potrebbero essere inclusi nell'imballaggio dell'utensile come accessori standard. Tali articoli potrebbero variare da nazione a nazione.

## TECHNISCHE GEGEVENS

Model:		DA332D	DA333D
Boorcapaciteiten	Staal	10 mm	
	Hout	12 mm	
Nullasttoerental		0 - 1.100 min <sup>-1</sup>	
Totale lengte		313 mm - 332 mm	
Nominale spanning		Maximaal 10,8 V - 12 V gelijkspanning	
Accu		BL1015 / BL1016 / BL1020B / BL1021B / BL1040B / BL1041B	
Nettogewicht		1,2 - 1,3 kg	1,2 - 1,4 kg

- In verband met ononderbroken research en ontwikkeling, behouden wij ons het recht voor de bovenstaande technische gegevens zonder voorafgaande kennisgeving te wijzigen.
- De technische gegevens van de accu kunnen van land tot land verschillen.
- Het gewicht kan verschillen afhankelijk van de hulpstukken, waaronder de accu. De lichtste en zwaarste combinatie, overeenkomstig de EPTA-procedure 01/2014, worden getoond in de tabel.

### Gebruiksdoelinden

Dit gereedschap is bedoeld voor het boren in hout, metaal en kunststof.

### Geluidsniveau

De typische, A-gewogen geluidsniveaus zijn gemeten volgens EN60745:

#### Model DA332D

Geluidsdrukniveau ( $L_{pA}$ ): 70 dB (A) of lager  
Onzekerheid (K): 3 dB (A)

#### Model DA333D

Geluidsdrukniveau ( $L_{pA}$ ): 70 dB (A) of lager  
Onzekerheid (K): 3 dB (A)

Het geluidsniveau kan tijdens gebruik hoger worden dan 80 dB (A).

**WAARSCHUWING:** Draag gehoorbescherming.

### Trilling

De totale trillingswaarde (triaxiale vectorsom) zoals vastgesteld volgens EN60745:

#### Model DA332D

Gebruikstoepassing: boren in metaal  
Trillingsemmissie ( $a_{h,D}$ ): 2,5 m/s<sup>2</sup> of lager  
Onzekerheid (K): 1,5 m/s<sup>2</sup>

#### Model DA333D

Gebruikstoepassing: boren in metaal  
Trillingsemmissie ( $a_{h,D}$ ): 3,0 m/s<sup>2</sup>  
Onzekerheid (K): 1,5 m/s<sup>2</sup>

**OPMERKING:** De opgegeven trillingsemmissiewaarde is gemeten volgens de standaardtestmethode en kan worden gebruikt om dit gereedschap te vergelijken met andere gereedschappen.

**OPMERKING:** De opgegeven trillingsemmissiewaarde kan ook worden gebruikt voor een beoordeling vooraf van de blootstelling.

**WAARSCHUWING:** De trillingsemmissie tijdens het gebruik van het elektrisch gereedschap in de praktijk kan verschillen van de opgegeven trillingsemmissiewaarde afhankelijk van de manier waarop het gereedschap wordt gebruikt.

**WAARSCHUWING:** Zorg ervoor dat veiligheidsmaatregelen worden getroffen ter bescherming van de operator die zijn gebaseerd op een schatting van de blootstelling onder praktijkomstandigheden (rekening houdend met alle fasen van de bedrijfscyclus, zoals de tijdsduur gedurende welke het gereedschap is uitgeschakeld en stationair draait, naast de ingeschakelde tijdsduur).

### EG-verklaring van conformiteit

#### Alleen voor Europese landen

De EG-verklaring van conformiteit is bijgevoegd als Bijlage A bij deze gebruiksaanwijzing.

## VEILIGHEIDSWAARSCHUWINGEN

### Algemene veiligheidswaarschuwingen voor elektrisch gereedschap

**WAARSCHUWING:** Lees alle veiligheidswaarschuwingen, aanwijzingen, afbeeldingen en technische gegevens behorend bij dit elektrische gereedschap aandachtig door. Als u niet alle onderstaande aanwijzingen naleeft, kan dat resulteren in brand, elektrische schokken en/of ernstig letsel.

### Bewaar alle waarschuwingen en instructies om in de toekomst te kunnen raadplegen.

De term "elektrisch gereedschap" in de veiligheidsvoorschriften duidt op gereedschappen die op stroom van het lichtnet werken (met snoer) of gereedschappen met een accu (snoerloos).



## Veiligheidswaarschuwingen voor een accuboormachine

1. **Gebruik hulphandgreep (hulphandgrepen), indien bij het gereedschap geleverd.** Verliezen van de macht over het gereedschap kan letsel veroorzaken.
2. **Houd elektrisch gereedschap alleen vast aan de geïsoleerde handgrepen wanneer de kans bestaat dat het accessoire in aanraking komt met verborgen bedrading.** Wanneer accessoires in aanraking komen met onder spanning staande draden, zullen de niet-geïsoleerde metalen delen van het gereedschap onder spanning komen te staan zodat de gebruiker een elektrische schok kan krijgen.
3. **Zorg ook altijd dat u stevig op een solide bodem staat. Let bij het werken op hoge plaatsen op dat er zich niemand recht onder u bevindt.**
4. **Houd het gereedschap stevig vast.**
5. **Houd uw handen uit de buurt van draaiende onderdelen.**
6. **Laat het gereedschap niet draaiend achter. Schakel het gereedschap alleen in wanneer u het stevig vasthoudt.**
7. **Raak direct na uw werk het boorbit of het werkstuk niet aan. Zij kunnen bijzonder heet zijn en brandwonden op uw huid veroorzaken.**
8. **Bepaalde materialen kunnen giftige chemicaliën bevatten. Vermijd contact met uw huid en zorg dat u geen stof inademt. Volg de veiligheidsvoorschriften van de fabrikant van het materiaal.**
9. **Als het boorbit niet kan worden losgemaakt ondanks dat de klauwen geopend zijn, gebruikt u een tang om het eruit te trekken. In dat geval kan met de hand eruit trekken leiden tot letsel vanwege zijn scherpe rand.**

## BEWAAR DEZE VOORSCHRIFTEN.

**⚠WAARSCHUWING:** Laat u NIET misleiden door een vals gevoel van comfort en bekendheid met het gereedschap (na veelvuldig gebruik) en neem alle veiligheidsvoorschriften van het betreffende gereedschap altijd strikt in acht. **VERKEERD GEBRUIK** of het niet naleven van de veiligheidsvoorschriften in deze gebruiksaanwijzing kan leiden tot ernstig letsel.

## Belangrijke veiligheidsinstructies voor een accu

1. Lees alle voorschriften en waarschuwingen op (1) de acculader, (2) de accu, en (3) het product waarvoor de accu wordt gebruikt, alvorens de accu in gebruik te nemen.
2. Neem de accu niet uit elkaar.
3. Als de gebruikstijd van een opgeladen accu aanzienlijk korter is geworden, moet u het gebruik ervan onmiddellijk stopzetten. Voortgezet gebruik kan oververhitting, brandwonden en zelfs een ontploffing veroorzaken.

4. Als elektrolyt in uw ogen is terechtgekomen, spoelt u uw ogen met schoon water en roept u onmiddellijk de hulp van een dokter in. Elektrolyt in de ogen kan blindheid veroorzaken.
5. **V voorkom kortsluiting van de accu:**
  - (1) Raak de accuklemmen nooit aan met een geleidend materiaal.
  - (2) Bewaar de accu niet in een bak waarin andere metalen voorwerpen zoals spijkers, munten e.d. worden bewaard.
  - (3) Stel de accu niet bloot aan water of regen. **Kortsluiting van de accu kan oorzaak zijn van een grote stroomafgifte, oververhitting, brandwonden, en zelfs defecten.**
6. **Bewaar het gereedschap en de accu niet op plaatsen waar de temperatuur kan oplopen tot 50°C of hoger.**
7. **Werp de accu nooit in het vuur, ook niet wanneer hij zwaar beschadigd of volledig versleten is. De accu kan ontploffen in het vuur.**
8. **Wees voorzichtig dat u de accu niet laat vallen en hem niet blootstelt aan schokken of stoten.**
9. **Gebruik nooit een beschadigde accu.**
10. **De bijgeleverde lithium-ionbatterijen zijn onderhevig aan de vereisten in de wetgeving omtrent gevaarlijke stoffen.**

Voor commercieel transport en dergelijke door derden en transporteurs moeten speciale vereisten ten aanzien van verpakking en etikettering worden nageleefd.

Als voorbereiding van het artikel dat wordt getransporteerd is het noodzakelijk een expert op het gebied van gevaarlijke stoffen te raadplegen. Houd u tevens aan mogelijk strengere nationale regelgeving.

Blootliggende contactpunten moeten worden afgedekt met tape en de accu moet zodanig worden verpakt dat deze niet kan bewegen in de verpakking.
11. **Volg bij het weggoien van de accu de plaatselijke voorschriften.**

## BEWAAR DEZE INSTRUCTIES.

**⚠LET OP:** Gebruik uitsluitend originele Makita accu's. Het gebruik van niet-originele accu's, of accu's die zijn gewijzigd, kan ertoe leiden dat de accu ontploft en brand, persoonlijk letsel en schade veroorzaakt. Ook vervalt daarmee de garantie van Makita op het gereedschap en de lader van Makita.

## Tips voor een maximale levensduur van de accu

1. Laad de accu op voordat hij volledig ontladen is. Stop het gebruik van het gereedschap en laad de accu op telkens wanneer u vaststelt dat het vermogen van het gereedschap is afgenomen.
2. Laad een volledig opgeladen accu nooit opnieuw op. Te lang opladen verkort de levensduur van de accu.
3. Laad de accu op bij een omgevingstemperatuur tussen 10°C en 40°C. Laat een warme accu afkoelen alvorens hem op te laden.

# BESCHRIJVING VAN DE FUNCTIES

**⚠ LET OP:** Zorg altijd dat het gereedschap is uitgeschakeld en de accu ervan is verwijderd alvorens de functies op het gereedschap af te stellen of te controleren.

## De accu aanbrengen en verwijderen

**⚠ LET OP:** Schakel het gereedschap altijd uit voordat u de accu aanbrengt of verwijdert.

**⚠ LET OP:** Houd het gereedschap en de accu stevig vast tijdens het aanbrengen of verwijderen van de accu. Als u het gereedschap en de accu niet stevig vasthoudt, kunnen deze uit uw handen glijpen en het gereedschap of de accu beschadigen, of kan persoonlijk letsel worden veroorzaakt.

► Fig.1: 1. Rood deel 2. Knop 3. Accu

Om de accu te verwijderen verschuift u de knop aan de voorkant van de accu en schuift u tegelijkertijd de accu uit het gereedschap.

Om de accu aan te brengen lijnt u de lip op de accu uit met de groef in de behuizing en duwt u de accu op zijn plaats. Steek de accu zo ver mogelijk in het gereedschap tot u een klinkgeluid hoort. Als u het rode deel aan de bovenkant van de knop kunt zien, is de accu niet goed aangebracht.

**⚠ LET OP:** Breng de accu altijd helemaal aan totdat het rode deel niet meer zichtbaar is. Als u dit niet doet, kan de accu per ongeluk uit het gereedschap vallen en u of anderen in uw omgeving verwonden.

**⚠ LET OP:** Breng de accu niet met kracht aan. Als de accu niet gemakkelijk in het gereedschap kan worden geschoven, wordt deze niet goed aangebracht.

## De resterende acculading controleren

*Alleen voor accu's met indicatorlampjes*

► Fig.2: 1. Indicatorlampjes 2. Testknop

Druk op de testknop op de accu om de resterende acculading te zien. De indicatorlampjes branden gedurende enkele seconden.

Indicatorlampjes		Resterende capaciteit
Brandt	Uit	
■ ■ ■ ■	□	75% tot 100%
■ ■ ■ □	□	50% tot 75%
■ ■ □ □	□ □	25% tot 50%
■ □ □ □	□ □ □ □	0% tot 25%

**OPMERKING:** Afhankelijk van de gebruiksomstandigheden en de omgevingstemperatuur, is het mogelijk dat de aangegeven acculading verschilt van de werkelijke acculading.

## Accubeveiligingssysteem

Het gereedschap is uitgerust met een accubeveiligingssysteem. Dit systeem sluit automatisch de voeding naar de motor af om de levensduur van de accu te verlengen. Het gereedschap kan tijdens gebruik automatisch stoppen wanneer het gereedschap en/of de accu aan één van de volgende omstandigheden wordt blootgesteld:

### Overbelasting:

Als het gereedschap wordt gebruikt op een manier die een abnormaal hoge stroomsterkte vergt. Schakel in dat geval het gereedschap uit en stopt u met de toepassing waardoor het gereedschap overbelast raakte. Schakel vervolgens het gereedschap in om het weer te starten.

Als het gereedschap niet start, kan de accu oververhit zijn. In die situatie laat u de accu eerst afkoelen voordat u het gereedschap opnieuw inschakelt.

### Onvoldoende accuspanning:

Als de resterende accuspanning onvoldoende is, zal het gereedschap niet starten. Als u het gereedschap inschakelt, draait de motor niet of draait de motor weer maar stopt kort daarna. In dit geval verwijdert u de accu en laadt u deze op.

## De trekkerschakelaar gebruiken

**⚠ LET OP:** Alvorens de accu in het gereedschap aan te brengen, moet u altijd controleren of de schakelhendel goed werkt en bij het loslaten terugkeert naar de stand "OFF".

**⚠ LET OP:** Zorg ervoor dat u het gereedschap stevig vasthoudt voordat u het uitschakelt.

► Fig.3: 1. Schakelhendel

Om het gereedschap te starten, knijpt u gewoon de schakelhendel in. Hoe harder u de schakelhendel inknijpt, hoe sneller het gereedschap draait. Laat de schakelhendel los om het gereedschap te stoppen.

## De lamp op de voorkant gebruiken

**⚠ LET OP:** Kijk niet direct in het lamplicht of in de lichtbron.

Voor model DA332D

► Fig.4: 1. Lamp

Voor model DA333D

► Fig.5: 1. Lamp

Knijp de schakelhendel in om de lamp in te schakelen. De lamp blijft branden zo lang de schakelhendel wordt ingeknepen. De lamp gaat automatisch uit ongeveer 10 seconden nadat de schakelhendel is losgelaten.

**OPMERKING:** Gebruik een droge doek om vuil van de lens van de lamp af te vegen. Wees voorzichtig dat u de lens van de lamp niet bekrast omdat dan de verlichting minder wordt.

## De omkeerschakelaar bedienen

► Fig.6: 1. Omkeerschakelaar

**⚠ LET OP:** Controleer altijd de draairichting alvorens het gereedschap te starten.

**⚠ LET OP:** Verander de stand van de omkeerschakelaar alleen nadat het gereedschap volledig tot stilstand is gekomen. Als u de draairichting verandert terwijl het gereedschap nog draait, kan het gereedschap beschadigd raken.

**⚠ LET OP:** Zet de omkeerschakelaar altijd in de neutrale stand wanneer u het gereedschap niet gebruikt.

Dit gereedschap heeft een omkeerschakelaar voor het veranderen van de draairichting. Druk de omkeerschakelaar in vanaf kant A voor de draairichting rechtsom, of vanaf kant B voor de draairichting linksom. Wanneer de omkeerschakelaar in de neutrale stand staat, kan de schakelhendel niet worden ingeknepen.

## MONTAGE

**⚠ LET OP:** Zorg altijd dat het gereedschap is uitgeschakeld en de accu ervan is verwijderd alvorens enig werk aan het gereedschap uit te voeren.

### Het boorbit aanbrengen of verwijderen

*Optioneel accessoire*

Voor model DA332D

► Fig.7: 1. Spankopsleutel

Om het boorbit aan te brengen, plaatst u het zo ver mogelijk in de spankop. Draai de spankop met de hand vast. Steek de spankopsleutel in elk van de drie openingen en draai ze rechtsom vast. Zorg ervoor dat u alle drie spankopopeningen in gelijke mate vastdraait. Om het boorbit te verwijderen, draait u de spankopsleutel in slechts één opening linksom en draait u vervolgens de spankop met de hand los. Plaats na gebruik de spankopsleutel terug in de opberghouder.

Voor model DA333D

► Fig.8: 1. Bus

Houd het gereedschap stevig vast en draai de bus linksom los om de klauwen te openen. Plaats het boorbit zo ver mogelijk in de spankop. Houd het gereedschap stevig vast en draai de bus rechtsom vast om de spankop vast te draaien. Om het boorbit te verwijderen, houdt u het gereedschap stevig vast en draait u de bus linksom.

## De haak aanbrengen

► Fig.9: 1. Gleuf 2. Haak 3. Schroef

De haak is handig om het gereedschap tijdelijk op te hangen. De haak kan aan iedere zijkant van het gereedschap worden bevestigd. Om de haak te bevestigen, steekt u deze in een gleuf op een zijkant en zet u hem vast met de schroef. Om de haak eraf te halen, draait u de schroef los en haalt u de haak eraf.

## Spankopsleutelhouder

*Alleen voor model DA332D (optioneel accessoire)*

► Fig.10: 1. Spankopsleutelhouder 2. Schroef

Om de spankopsleutelhouder te monteren, plaatst u deze op het bolvormige deel aan de linker- of rechterkant van het gereedschapshuis, en zet u deze vast met een schroef. Om hem te verwijderen, draait u de schroef los en haalt u hem eraf.

## BEDIENING

**⚠ LET OP:** Druk de accu altijd stevig aan totdat die op zijn plaats vastklikt. Wanneer het rode deel aan de bovenkant van de knop nog zichtbaar is, zit de accu er nog niet helemaal in. Schuif hem er helemaal in totdat het rode deel niet meer zichtbaar is. Als u dit nalaat, zou de accu uit het gereedschap kunnen vallen en uzelf of anderen kunnen verwonden.

**⚠ LET OP:** Wanneer de snelheid sterk afneemt, verlaagt u de belasting of stopt u het gereedschap om te voorkomen dat het gereedschap wordt beschadigd.

**⚠ LET OP:** Houd tijdens gebruik het gereedschap stevig met één hand vast aan de handgreep van het gereedschap.

Voor model DA332D

► Fig.11

Voor model DA333D

► Fig.12

## Gebruik als boormachine

### Boren in hout

Bij het boren in hout verkrijgt u de beste resultaten met houtboortjes voorzien van een geleideschroefpunt. Deze geleideschroefpunt vergemakkelijkt het boren, door het boorbit het werkstuk in te trekken.

### Boren in metaal

Om te voorkomen dat het boorbit bij het begin van het boren zijdelings wegglijdt, maakt u met een hamer en een centerpons een putje precies op de plaats waar u wilt boren. Plaats dan de punt van het boorbit in het putje en begin met boren. Gebruik bij het boren in metaal een smeermiddel. Uitzonderingen hierbij zijn ijzer en koper, die droog geboord moeten worden.

**⚠ LET OP:** Het boren zal niet sneller verlopen als u hard op het gereedschap drukt. In feite zal dergelijk hard drukken alleen maar leiden tot beschadiging van het boorbit, lagere prestaties van het gereedschap en een kortere levensduur van het gereedschap.

**⚠ LET OP:** Houd het gereedschap stevig vast en let vooral goed op wanneer het boorbit door het werkstuk heen breekt. Op het moment dat het boorgat doorbreekt wordt een enorme wringende kracht uitgeoefend op het gereedschap/boorbit.

**⚠ LET OP:** Een vastgelopen boorbit kan eenvoudig verwijderd worden door de draairichting te veranderen met de omkeerschakelaar, om zo het boorbit eruit te draaien. Houd het gereedschap daarbij wel stevig vast, want er is kans op een plotselinge terugslag.

**⚠ LET OP:** Zet het werkstuk altijd vast in een bankschroef of soortgelijke klemvoorziening.

**⚠ LET OP:** Als het gereedschap continu wordt bediend totdat de accu leeg is, laat u het gereedschap gedurende 15 minuten liggen alvorens verder te werken met een volle accu.

## ONDERHOUD

**⚠ LET OP:** Zorg altijd dat het gereedschap is uitgeschakeld en de accu ervan is verwijderd alvorens te beginnen met onderhoud of inspectie.

**KENNISGEVING:** Gebruik nooit benzine, wasbenzine, thinner, alcohol en dergelijke. Hierdoor kunnen verkleuring, vervormingen en barsten worden veroorzaakt.

Om de VEILIGHEID en BETROUWBAARHEID van het gereedschap te handhaven, dienen alle reparaties, onderhoud of afstellingen te worden uitgevoerd bij een erkend Makita-servicecentrum of de Makita-fabriek, en altijd met gebruik van Makita-ervangingsonderdelen.

## OPTIONELE ACCESSOIRES

**⚠ LET OP:** Deze accessoires of hulpstukken worden aanbevolen voor gebruik met het Makita gereedschap dat in deze gebruiksaanwijzing is beschreven. Bij gebruik van andere accessoires of hulpstukken bestaat het gevaar van persoonlijke letsel. Gebruik de accessoires of hulpstukken uitsluitend voor hun bestemde doel.

Wenst u meer bijzonderheden over deze accessoires, neem dan contact op met het plaatselijke Makita-servicecentrum.

- Boorbits
- Spankopsleutel
- Spankopsleutelhouder
- Haak
- Kunststof koffer
- Originele Makita accu's en acculaders

**OPMERKING:** Sommige items op de lijst kunnen zijn inbegrepen in de doos van het gereedschap als standaard toebehoren. Deze kunnen van land tot land verschillen.

## ESPECIFICACIONES

Modelo:		DA332D	DA333D
Capacidades de perforación	Acero	10 mm	
	Madera	12 mm	
Velocidad sin carga		0 - 1.100 min <sup>-1</sup>	
Longitud total		313 mm - 332 mm	
Tensión nominal		CC 10,8 V - 12 V máx	
Cartucho de batería		BL1015 / BL1016 / BL1020B / BL1021B / BL1040B / BL1041B	
Peso neto		1,2 - 1,3 kg	1,2 - 1,4 kg

- Debido a nuestro continuado programa de investigación y desarrollo, las especificaciones aquí dadas están sujetas a cambios sin previo aviso.
- Las especificaciones y el cartucho de batería pueden diferir de país a país.
- El peso puede variar dependiendo del accesorio(s), incluyendo el cartucho de batería. La combinación menos pesada y la más pesada, de acuerdo con el procedimiento EPTA 01/2014, se muestran en la tabla.

### Uso previsto

La herramienta ha sido prevista para perforar en madera, metal y plástico.

### Ruido

El nivel de ruido A-ponderado típico determinado de acuerdo con la norma EN60745:

#### Modelo DA332D

Nivel de presión sonora ( $L_{pA}$ ): 70 dB (A) o menos  
Error (K): 3 dB (A)

#### Modelo DA333D

Nivel de presión sonora ( $L_{pA}$ ): 70 dB (A) o menos  
Error (K): 3 dB (A)

El nivel de ruido en situación de trabajo puede exceder 80 dB (A).

**ADVERTENCIA:** Póngase protectores para oídos.

### Vibración

El valor total de la vibración (suma de vectores triaxiales) determinado de acuerdo con la norma EN60745:

#### Modelo DA332D

Modo de trabajo: perforación en metal  
Emisión de vibración ( $a_{h,D}$ ): 2,5 m/s<sup>2</sup> o menos  
Error (K): 1,5 m/s<sup>2</sup>

#### Modelo DA333D

Modo de trabajo: perforación en metal  
Emisión de vibración ( $a_{h,D}$ ): 3,0 m/s<sup>2</sup>  
Error (K): 1,5 m/s<sup>2</sup>

**NOTA:** El valor de emisión de vibración declarado ha sido medido de acuerdo con el método de prueba estándar y se puede utilizar para comparar una herramienta con otra.

**NOTA:** El valor de emisión de vibración declarado también se puede utilizar en una valoración preliminar de exposición.

**ADVERTENCIA:** La emisión de vibración durante la utilización real de la herramienta eléctrica puede variar del valor de emisión declarado dependiendo de las formas en las que la herramienta sea utilizada.

**ADVERTENCIA:** Asegúrese de identificar medidas de seguridad para proteger al operario que estén basadas en una estimación de la exposición en las condiciones reales de utilización (teniendo en cuenta todas las partes del ciclo operativo como las veces cuando la herramienta está apagada y cuando está funcionando en vacío además del tiempo de gatillo).

### Declaración CE de conformidad

#### Para países europeos solamente

La declaración CE de conformidad está incluida como Anexo A de esta manual de instrucciones.

## ADVERTENCIAS DE SEGURIDAD

### Advertencias de seguridad para herramientas eléctricas en general

**ADVERTENCIA:** Lea todas las advertencias de seguridad, instrucciones, ilustraciones y especificaciones provistas con esta herramienta eléctrica. Si no sigue todas las instrucciones indicadas abajo podrá resultar en una descarga eléctrica, un incendio y/o heridas graves.

### Guarde todas las advertencias e instrucciones para futuras referencias.

El término "herramienta eléctrica" en las advertencias se refiere a su herramienta eléctrica de funcionamiento con conexión a la red eléctrica (con cable) o herramienta eléctrica de funcionamiento a batería (sin cable).

## Advertencias de seguridad para el taladro inalámbrico

1. **Utilice el mango(s) auxiliar, si se suministra con la herramienta.** Una pérdida del control puede ocasionar heridas personales.
2. **Cuando realice una operación en la que el accesorio de corte pueda entrar en contacto con cableado oculto, sujete la herramienta eléctrica por las superficies de asimiento aisladas.** El contacto del accesorio de corte con un cable con corriente puede hacer que la corriente circule por las partes metálicas expuestas de la herramienta eléctrica y soltar una descarga eléctrica al operario.
3. **Asegúrese siempre de apoyar los pies firmemente.** Asegúrese de que no haya nadie debajo cuando utilice la herramienta en lugares altos.
4. **Sujete la herramienta firmemente.**
5. **Mantenga las manos alejadas de las partes giratorias.**
6. **No deje la herramienta en marcha.** Tenga en marcha la herramienta solamente cuando la tenga en la mano.
7. **No toque la broca ni la pieza de trabajo inmediatamente después de la operación; podrán estar muy calientes y quemarle la piel.**
8. **Algunos materiales contienen sustancias químicas que pueden ser tóxicas.** Tenga precaución para evitar la inhalación de polvo y el contacto con la piel. Siga los datos de seguridad del abastecedor del material.
9. **Si la broca no se puede aflojar incluso cuando abre las garras, utilice unos alicates para extraerla.** En tal caso, sacar la broca a mano puede resultar en heridas debido a su borde cortante.

## GUARDE ESTAS INSTRUCCIONES.

**⚠ADVERTENCIA:** NO deje que la comodidad o familiaridad con el producto (a base de utilizarlo repetidamente) sustituya la estricta observancia de las normas de seguridad para el producto en cuestión. El MAL USO o el no seguir las normas de seguridad establecidas en este manual de instrucciones podrá ocasionar heridas personales graves.

## Instrucciones de seguridad importantes para el cartucho de batería

1. **Antes de utilizar el cartucho de batería, lea todas las instrucciones e indicaciones de precaución sobre (1) el cargador de baterías, (2) la batería, y (3) el producto con el que se utiliza la batería.**
2. **No desarme el cartucho de batería.**
3. **Si el tiempo de uso se acorta demasiado, cese la operación inmediatamente.** Podría resultar en un riesgo de recalentamiento, posibles quemaduras e incluso una explosión.
4. **Si entra electrolito en sus ojos, aclárelos con agua limpia y acuda a un médico inmediatamente.** Existe el riesgo de poder perder la vista.

5. **No cortocircuite el cartucho de batería:**
  - (1) **No toque los terminales con ningún material conductor.**
  - (2) **Evite guardar el cartucho de batería en un cajón junto con otros objetos metálicos, como clavos, monedas, etc.**
  - (3) **No exponga el cartucho de batería al agua ni a la lluvia.****Un cortocircuito en la batería puede producir una gran circulación de corriente, un recalentamiento, posibles quemaduras e incluso una rotura de la misma.**
6. **No guarde la herramienta y el cartucho de batería en lugares donde la temperatura pueda alcanzar o exceder los 50 °C.**
7. **Nunca incinere el cartucho de batería incluso en el caso de que esté dañado seriamente o ya no sirva en absoluto.** El cartucho de batería puede explotar si se tira al fuego.
8. **Tenga cuidado de no dejar caer ni golpear el cartucho de batería.**
9. **No utilice una batería dañada.**
10. **Las baterías de litio-ion contenidas están sujetas a los requisitos de la Legislación para Materiales Peligrosos.**

Para transportes comerciales, p.ej., por terceras personas y agentes de transportes, se deberán observar requisitos especiales para el empaquetado y etiquetado.

Para la preparación del artículo que se va a enviar, se requiere consultar con un experto en materiales peligrosos. Por favor, observe también la posibilidad de reglamentos nacionales más detallados. Cubra con cinta aislante o enmascare los contactos expuestos y empaquete la batería de tal manera que no se pueda mover alrededor dentro del embalaje.
11. **Siga los reglamentos locales referentes al desecho de la batería.**

## GUARDE ESTAS INSTRUCCIONES.

**⚠PRECAUCIÓN:** Utilice solamente baterías genuinas de Makita. La utilización de baterías no genuinas de Makita, o baterías que han sido alteradas, puede resultar en una explosión de la batería ocasionando incendios, heridas personales y daños. También anulará la garantía de Makita para la herramienta y el cargador de Makita.

## Consejos para alargar al máximo la vida de servicio de la batería

1. **Cargue el cartucho de batería antes de que se descargue completamente.** Detenga siempre la operación y cargue el cartucho de batería cuando note menos potencia en la herramienta.
2. **No cargue nunca un cartucho de batería que esté completamente cargado.** La sobrecarga acortará la vida de servicio de la batería.
3. **Cargue el cartucho de batería a temperatura ambiente de 10 °C - 40 °C.** Si un cartucho de batería está caliente, déjelo enfriar antes de cargarlo.

## DESCRIPCIÓN DEL FUNCIONAMIENTO

**⚠ PRECAUCIÓN:** Asegúrese siempre de que la herramienta esté apagada y el cartucho de batería retirado antes de realizar cualquier ajuste o comprobación en la herramienta.

### Instalación o extracción del cartucho de batería

**⚠ PRECAUCIÓN:** Apague siempre la herramienta antes de instalar o retirar el cartucho de batería.

**⚠ PRECAUCIÓN:** Sujete la herramienta y el cartucho de batería firmemente cuando instale o retire el cartucho de batería. Si no sujeta la herramienta y el cartucho de batería firmemente podrán caérsele de las manos y resultar en daños a la herramienta y al cartucho de batería y heridas personales.

► Fig.1: 1. Indicador rojo 2. Botón 3. Cartucho de batería

Para retirar el cartucho de batería, deslícelo de la herramienta mientras desliza el botón de la parte frontal del cartucho.

Para instalar el cartucho de batería, alinee la lengüeta del cartucho de batería con la ranura de la carcasa y deslícelo hasta que encaje en su sitio. Insértelo a tope hasta que se bloquee en su sitio produciendo un pequeño chasquido. Si puede ver el indicador rojo en el lado superior del botón, no estará bloqueado completamente.

**⚠ PRECAUCIÓN:** Instale siempre el cartucho de batería completamente hasta que no pueda verse el indicador rojo. En caso contrario, podrá caerse accidentalmente de la herramienta y ocasionarle heridas a usted o a alguien que esté cerca de usted.

**⚠ PRECAUCIÓN:** No instale el cartucho de batería empleando fuerza. Si el cartucho no se desliza al interior fácilmente, será porque no está siendo insertado correctamente.

### Modo de indicar la capacidad de batería restante

*Solamente para cartuchos de batería con el indicador*

► Fig.2: 1. Lámparas indicadoras 2. Botón de comprobación

Presione el botón de comprobación en el cartucho de batería para indicar la capacidad de batería restante. Las lámparas indicadoras se iluminan durante unos pocos segundos.

Lámparas de indicación		Capacidad restante
Iluminada	Apagada	
■ ■ ■ ■	□	75% a 100%
■ ■ ■ □	□	50% a 75%
■ ■ □ □	□ □	25% a 50%
■ □ □ □	□ □ □ □	0% a 25%

**NOTA:** Dependiendo de las condiciones de utilización y de la temperatura ambiente, la indicación podrá variar ligeramente de la capacidad real.

### Sistema de protección de la batería

La herramienta está equipada con un sistema de protección de la batería. Este sistema corta automáticamente la alimentación del motor para alargar la vida útil de la batería.

La herramienta se detendrá automáticamente durante la operación si la herramienta y/o la batería son puestas en una de las condiciones siguientes:

#### Sobrecargada:

La herramienta es utilizada de una manera que da lugar a que tenga que absorber una corriente anormalmente alta.

En esta situación, apague la herramienta y detenga la aplicación que ocasiona que la herramienta se sobrecargue. Después encienda la herramienta para volver a empezar.

Si la herramienta no se pone en marcha, la batería estará recalentada. En esta situación, deje que la batería se enfríe antes de encender la herramienta otra vez.

#### Tensión baja en la batería:

La capacidad de batería restante es demasiado baja y la herramienta no funcionará. Si enciende la herramienta, el motor no se pondrá en marcha o el motor se pondrá en marcha pero se parará en seguida. En esta situación, retire y recargue la batería.

### Accionamiento del interruptor

**⚠ PRECAUCIÓN:** Antes de instalar el cartucho de batería en la herramienta, compruebe siempre para ver que la palanca del interruptor se acciona debidamente y que vuelve a la posición "OFF" cuando se libera.

**⚠ PRECAUCIÓN:** Asegúrese de sujetar la herramienta firmemente antes de apagar la herramienta.

► Fig.3: 1. Palanca del interruptor

Para poner en marcha la herramienta, simplemente apriete la palanca del interruptor. La velocidad de la herramienta aumenta incrementando la presión en la palanca del interruptor. Suelte la palanca del interruptor para parar.

## Encendido de la lámpara delantera

**⚠ PRECAUCIÓN:** No mire a la luz ni vea la fuente de luz directamente.

Para el modelo DA332D

► Fig.4: 1. Lámpara

Para el modelo DA333D

► Fig.5: 1. Lámpara

Apriete la palanca del interruptor para encender la lámpara. La lámpara seguirá encendida mientras la palanca del interruptor esté siendo apretada. La luz se apaga automáticamente 10 segundos aproximadamente después de haber liberado la palanca del interruptor.

**NOTA:** Utilice un paño seco para quitar la suciedad de la lente de la lámpara. Tenga cuidado de no rayar la lente de la lámpara, porque podrá disminuir la iluminación.

## Accionamiento del interruptor inversor

► Fig.6: 1. Palanca del interruptor inversor

**⚠ PRECAUCIÓN:** Confirme siempre la dirección de giro antes de la operación.

**⚠ PRECAUCIÓN:** Utilice el interruptor inversor solamente después de que la herramienta se haya parado completamente. Si cambia la dirección de giro antes de que la herramienta se haya parado podrá dañarla.

**⚠ PRECAUCIÓN:** Cuando no esté utilizando la herramienta, ponga siempre la palanca del interruptor inversor en la posición neutral.

Esta herramienta tiene un interruptor inversor para cambiar la dirección de giro. Presione hacia dentro la palanca del interruptor inversión del lado A para giro hacia la derecha o del lado B para giro hacia la izquierda.

Cuando la palanca del interruptor inversor está en la posición neutral, la palanca del interruptor no se puede apretar.

## MONTAJE

**⚠ PRECAUCIÓN:** Asegúrese siempre de que la herramienta está apagada y el cartucho de batería retirado antes de realizar cualquier trabajo en la herramienta.

## Instalación o desmontaje de la broca

### Accesorios opcionales

Para el modelo DA332D

► Fig.7: 1. Llave de mandril

Para instalar la broca, póngala a fondo en el mandril. Apriete el mandril a mano. Ponga la llave de mandril en cada uno de los tres agujeros y apriete hacia la derecha. Asegúrese de apretar todos los tres agujeros del mandril uniformemente.

Para retirar la broca, gire la llave de mandril hacia la izquierda en un solo agujero, después afloje el mandril a mano. Después de la utilización, vuelva a poner la llave de mandril en la cavidad de almacenamiento en la herramienta.

Para el modelo DA333D

► Fig.8: 1. Manguito

Sujete la herramienta firmemente y gire el manguito hacia la izquierda para abrir las garras del mandril. Ponga la broca a fondo en el mandril. Sujete la herramienta firmemente y gire el manguito hacia la derecha para apretar el mandril.

Para retirar la broca, sujete la herramienta firmemente y gire el manguito hacia la izquierda.

## Instalación del gancho

► Fig.9: 1. Ranura 2. Gancho 3. Tornillo

El gancho resulta útil para colgar temporalmente la herramienta. Se puede instalar en cualquiera de los costados de la herramienta. Para instalar el gancho, insértelo en una ranura en cualquiera de los costados de la carcasa de la herramienta y después sujételo con un tornillo. Para retirarlo, afloje el tornillo y después sáquelo.

## Soporte de la llave de mandril

Para el modelo DA332D solamente (accesorio opcional)

► Fig.10: 1. Soporte de la llave de mandril 2. Tornillo

Para instalar el soporte de la llave de mandril, fíjelo en la porción convexa de cualquiera de los lados de la carcasa de la herramienta y después sujételo con un tornillo. Para retirarlo, afloje el tornillo y después sáquelo.

## OPERACIÓN

**⚠ PRECAUCIÓN:** Inserte siempre el cartucho de batería a tope hasta que se bloquee en su sitio. Si puede ver el indicador rojo en el lado superior del botón, no estará bloqueado completamente. Insértelo completamente hasta que el indicador rojo no pueda verse. En caso contrario, podrá caerse accidentalmente de la herramienta y ocasionarle heridas a usted o a alguien que esté cerca de usted.

**⚠ PRECAUCIÓN:** Cuando la velocidad baje mucho, reduzca la carga o detenga la herramienta para evitar dañarla.

**⚠ PRECAUCIÓN:** Sujete la herramienta firmemente con una mano en la parte de asiento de la herramienta cuando opere la herramienta.



Para el modelo DA332D

► Fig.11

Para el modelo DA333D

► Fig.12

## Operación de perforación

### Perforación en madera

Cuando perfore en madera, los mejores resultados se obtendrán con brocas para madera equipadas con un tornillo guía. El tornillo guía facilita la perforación tirando de la broca hacia el interior de la pieza de trabajo.

### Perforación en metal

Para evitar que la broca resbale al empezar a hacer el agujero, haga una mella con un punzón y martillo en el punto a taladrar. Ponga la punta de la broca en la mella y comience a perforar.

Utilice un lubricante para operaciones de corte cuando perfore metales. Las excepciones son acero y latón que deberán ser perforados en seco.

**⚠PRECAUCIÓN:** Con ejercer una presión excesiva sobre la herramienta no conseguirá perforar más rápido. De hecho, esta presión excesiva sólo servirá para dañar la punta de la broca, disminuir el rendimiento de la herramienta y acortar la vida de servicio de la herramienta.

**⚠PRECAUCIÓN:** Sujete la herramienta firmemente y tenga cuidado cuando la broca comience a penetrar en la pieza de trabajo. En el momento de comenzar a penetrar se ejerce una fuerza tremenda sobre la herramienta/broca.

**⚠PRECAUCIÓN:** Una broca atascada podrá extraerse simplemente poniendo el interruptor inversor en giro inverso para que retroceda. Sin embargo, la herramienta podrá retroceder bruscamente si no la sujeta firmemente.

**⚠PRECAUCIÓN:** Sujete siempre las piezas de trabajo en un tornillo de banco o dispositivo de sujeción similar.

**⚠PRECAUCIÓN:** Si utiliza la herramienta continuamente hasta descargar el cartucho de batería, deje descansar la herramienta durante 15 minutos antes de proceder con una batería fresca.

## MANTENIMIENTO

**⚠PRECAUCIÓN:** Asegúrese siempre de que la herramienta está apagada y de que el cartucho de batería está retirado antes de intentar hacer una inspección o mantenimiento.

**AVISO:** No utilice nunca gasolina, bencina, disolvente, alcohol o similares. Podría producir descoloración, deformación o grietas.

Para mantener la SEGURIDAD y FIABILIDAD del producto, las reparaciones, y cualquier otra tarea de mantenimiento o ajuste deberán ser realizadas en centros de servicio o de fábrica autorizados por Makita, empleando siempre repuestos Makita.

## ACCESORIOS OPCIONALES

**⚠PRECAUCIÓN:** Estos accesorios o aditamentos están recomendados para su uso con la herramienta Makita especificada en este manual. El uso de cualquier otro accesorio o aditamento puede suponer un riesgo de heridas personales. Utilice el accesorio o aditamento solamente con la finalidad indicada para el mismo.

Si necesita cualquier ayuda para más detalles en relación con estos accesorios, pregunte al centro de servicio Makita local.

- Brocas
- Llave de mandril
- Soporte de la llave de mandril
- Gancho
- Maletín de transporte de plástico
- Batería y cargador genuinos de Makita

**NOTA:** Algunos elementos de la lista podrán estar incluidos en el paquete de la herramienta como accesorios estándar. Pueden variar de un país a otro.

## ESPECIFICAÇÕES

Modelo:		DA332D	DA333D
Capacidades de perfuração	Aço	10 mm	
	Madeira	12 mm	
Velocidade sem carga		0 - 1.100 min <sup>-1</sup>	
Comprimento total		313 mm - 332 mm	
Tensão nominal		CC 10,8 V - 12 V máx.	
Bateria		BL1015 / BL1016 / BL1020B / BL1021B / BL1040B / BL1041B	
Peso líquido		1,2 - 1,3 kg	1,2 - 1,4 kg

- Devido a um programa contínuo de pesquisa e desenvolvimento, estas especificações estão sujeitas a alteração sem aviso prévio.
- As especificações e a bateria podem variar de país para país.
- O peso poderá diferir em função do acessório(s), incluindo a bateria. A combinação mais leve e mais pesada, de acordo com o Procedimento EPTA 01/2014, é apresentada na tabela.

### Utilização a que se destina

A ferramenta serve para perfurar em madeira, metal e plástico.

### Ruído

A característica do nível de ruído A determinado de acordo com a EN60745:

#### Modelo DA332D

Nível de pressão acústica ( $L_{pA}$ ): 70 dB (A) ou menos  
Variabilidade (K): 3 dB (A)

#### Modelo DA333D

Nível de pressão acústica ( $L_{pA}$ ): 70 dB (A) ou menos  
Variabilidade (K): 3 dB (A)

O nível de ruído durante o funcionamento pode exceder 80 dB (A).

**AVISO:** Utilize protetores auriculares.

### Vibração

Valor total da vibração (soma vetorial tri-axial) determinado de acordo com a EN60745:

#### Modelo DA332D

Modo de trabalho: perfuração em metal  
Emissão de vibração ( $a_{hD}$ ): 2,5 m/s<sup>2</sup> ou menos  
Variabilidade (K): 1,5 m/s<sup>2</sup>

#### Modelo DA333D

Modo de trabalho: perfuração em metal  
Emissão de vibração ( $a_{hD}$ ): 3,0 m/s<sup>2</sup>  
Variabilidade (K): 1,5 m/s<sup>2</sup>

**NOTA:** O valor da emissão de vibração indicado foi medido de acordo com o método de teste padrão e pode ser utilizado para comparar duas ferramentas.

**NOTA:** O valor da emissão de vibração indicado pode também ser utilizado na avaliação preliminar da exposição.

**AVISO:** A emissão de vibração durante a utilização real da ferramenta elétrica pode diferir do valor de emissão indicado, dependendo das formas como a ferramenta é utilizada.

**AVISO:** Certifique-se de identificar as medidas de segurança para proteção do operador que sejam baseadas em uma estimativa de exposição em condições reais de utilização (considerando todas as partes do ciclo de operação, tal como quando a ferramenta está desligada e quando está a funcionar em marcha lenta além do tempo de acionamento).

### Declaração de conformidade da CE

#### Apenas para os países europeus

A declaração de conformidade da CE está incluída como Anexo A neste manual de instruções.

## AVISOS DE SEGURANÇA

### Avisos gerais de segurança para ferramentas elétricas

**AVISO:** Leia todos os avisos de segurança, instruções, ilustrações e especificações fornecidos com esta ferramenta elétrica. O não cumprimento de todas as instruções indicadas em baixo pode resultar em choque elétrico, incêndio e/ou ferimentos graves.

### Guarde todos os avisos e instruções para futuras referências.

O termo "ferramenta elétrica" nos avisos refere-se às ferramentas elétricas ligadas à corrente elétrica (com cabo) ou às ferramentas elétricas operadas por meio de bateria (sem cabo).

## Avisos de segurança para a parafusadeira a bateria

1. Utilize pega(s) auxiliar(es), se fornecida(s) com a ferramenta. A perda de controlo pode causar ferimentos pessoais.
2. Segure na ferramenta elétrica pelas superfícies de aderência isoladas quando executar uma operação em que o acessório de corte possa entrar em contacto com fios ocultos. O acessório de corte que entra em contacto com um fio “com corrente” pode passar a corrente para as partes metálicas expostas da ferramenta elétrica e causar choque elétrico ao operador.
3. Certifique-se sempre que possui uma base firme. Certifique-se de que ninguém está por baixo quando usa a ferramenta em locais elevados.
4. Segure a ferramenta firmemente.
5. Mantenha as mãos afastadas das partes giratórias.
6. Não deixe a ferramenta a funcionar. Opere a ferramenta apenas quando a estiver a agarrar.
7. Não toque na broca de perfuração ou na peça de trabalho imediatamente após a operação; podem estar extremamente quentes e queimar a sua pele.
8. Alguns materiais contêm químicos que podem ser tóxicos. Tome cuidado para evitar a inalação de poeira e o contacto com a pele. Siga os dados de segurança do fornecedor do material.
9. Se não for possível soltar a broca de perfuração mesmo se abrir os mordentes, utilize um alicate para extraí-la. Nesse caso, extrair a broca de perfuração manualmente poderá resultar em lesões provocadas pelo seu bordo afiado.

## GUARDE ESTAS INSTRUÇÕES.

**AVISO:** NÃO permita que conforto ou familiaridade com o produto (adquirido com o uso repetido) substitua a aderência estrita às regras de segurança da ferramenta. MÁ INTERPRETAÇÃO ou não seguimento das regras de segurança estabelecidas neste manual de instruções pode causar danos pessoais sérios.

## Instruções de segurança importantes para a bateria

1. Antes de utilizar a bateria, leia todas as instruções e etiquetas de precaução no (1) carregador de bateria (2) bateria e (3) produto que utiliza a bateria.
2. Não abra a bateria.
3. Se o tempo de funcionamento se tornar excessivamente curto, pare o funcionamento imediatamente. Pode resultar em sobreaquecimento, possíveis queimaduras e mesmo explosão.
4. Se entrar eletrólito nos seus olhos, lave-os com água e consulte imediatamente um médico. Pode resultar em perda de visão.

5. Não coloque a bateria em curto-circuito:
  - (1) Não toque nos terminais com qualquer material condutor.
  - (2) Evite guardar a bateria juntamente com outros objetos metálicos tais como pregos, moedas, etc.
  - (3) Não exponha a bateria à água ou chuva. Um curto-circuito pode ocasionar um enorme fluxo de corrente, sobreaquecimento, possíveis queimaduras e mesmo estragar-se.
6. Não guarde a ferramenta e a bateria em locais onde a temperatura pode atingir ou exceder 50°C.
7. Não queime a bateria mesmo que esteja estragada ou completamente gasta. A bateria pode explodir no fogo.
8. Tenha cuidado para não deixar cair ou dar pancadas na bateria.
9. Não utilize uma bateria danificada.
10. As baterias de íões de lítio contidas na ferramenta são sujeitas aos requisitos da DGL (Dangerous Goods Legislation - Legislação de bens perigosos).

Para o transporte comercial, por exemplo, por terceiros ou agentes de expedição, têm de ser observados os requisitos referentes à embalagem e etiquetagem.

Para preparação do artigo a ser expedido, é necessário consultar um perito em materiais perigosos. Tenha ainda em conta a possibilidade de existirem regulamentos nacionais mais detalhados.

Coloque fita-cola ou tape os contactos abertos e embale a bateria de tal forma que não possa mover-se dentro da embalagem.
11. Siga os regulamentos locais relacionados com a eliminação de baterias.

## GUARDE ESTAS INSTRUÇÕES.

**PRECAUÇÃO:** Utilize apenas baterias genuínas da Makita. A utilização de baterias não genuínas da Makita ou de baterias que foram alteradas, pode resultar no rebentamento da bateria provocando incêndios, ferimentos pessoais e danos. Além disso, anulará da garantia da Makita no que se refere à ferramenta e ao carregador Makita.

## Conselhos para manter a máxima vida útil da bateria

1. Carregue a bateria antes que esteja completamente descarregada. Pare sempre o funcionamento da ferramenta e carregue a bateria quando notar menos poder na ferramenta.
2. Nunca carregue uma bateria completamente carregada. Carregamento excessivo diminui a vida útil da bateria.
3. Carregue a bateria à temperatura ambiente de 10°C – 40°C. Deixe que uma bateria quente arrefeça antes de a carregar.

## DESCRIÇÃO FUNCIONAL

**⚠️ PRECAUÇÃO:** Certifique-se sempre de que a ferramenta está desligada e a bateria foi retirada antes de regular ou verificar qualquer função na ferramenta.

## Instalação ou remoção da bateria

**⚠️ PRECAUÇÃO:** Desligue sempre a ferramenta antes de colocar ou retirar a bateria.

**⚠️ PRECAUÇÃO:** Segure firmemente a ferramenta e a bateria quando instalar ou remover a bateria. Se não segurar firmemente a ferramenta e a bateria pode fazer com que escorreguem das suas mãos resultando em danos na ferramenta e na bateria e ferimentos pessoais.

► Fig.1: 1. Indicador vermelho 2. Botão 3. Bateria

Para retirar a bateria, deslize-a para fora da ferramenta enquanto desliza o botão na frente da bateria.

Para instalar a bateria, alinhe a lingueta da bateria com a ranhura no compartimento e deslize-a no lugar. Empurre-até o fim para que a mesma encaixe no lugar com um clique. Se puder ver a parte vermelha no lado superior do botão, significa que não está completamente bloqueada.

**⚠️ PRECAUÇÃO:** Instale sempre a bateria até ao fim, até deixar de ver o indicador vermelho.

Caso contrário, a bateria poderá cair da ferramenta acidentalmente e provocar ferimentos em si mesmo ou em alguém próximo.

**⚠️ PRECAUÇÃO:** Não instale a bateria à força. Se a bateria não deslizar facilmente é porque não foi colocada corretamente.

## Indicação da capacidade restante da bateria

*Apenas para baterias com indicador*

► Fig.2: 1. Luzes indicadoras 2. Botão de verificação

Prima o botão de verificação na bateria para indicar a capacidade restante da bateria. As luzes indicadoras acendem durante alguns segundos.

Luzes indicadoras		Carga restante
Aceso	Desligada	
		75% a 100%
		50% a 75%
		25% a 50%
		0% a 25%

**NOTA:** Dependendo das condições de utilização e da temperatura ambiente, a indicação pode ser ligeiramente diferente da capacidade real.

## Sistema de proteção da bateria

A ferramenta está equipada com um sistema de proteção da bateria. Este sistema corta automaticamente a energia para o motor a fim de prolongar a vida útil da bateria.

A ferramenta para automaticamente durante o funcionamento se a mesma e/ou a bateria estiver numa das seguintes circunstâncias:

### Sobrecarga:

A ferramenta é utilizada de tal forma que puxa uma corrente elevada demais.

Neste caso, desligue a ferramenta e pare a aplicação que fez com que a ferramenta ficasse sobrecarregada. Depois, ligue a ferramenta para a reiniciar.

Se a ferramenta não reiniciar, a bateria está sobreaquecida. Nesta situação, deixe a bateria arrefecer antes de voltar a ligar a ferramenta.

### Baixa tensão da bateria:

A restante capacidade da bateria é demasiado baixa e a ferramenta não irá operar. Se ligar a ferramenta, o motor não funciona ou o motor funciona novamente mas para de seguida. Neste caso, retire e recarregue a bateria.

## Ação do interruptor

**⚠️ PRECAUÇÃO:** Antes de instalar a bateria na ferramenta, verifique sempre se a alavanca do interruptor funciona corretamente e volta para a posição "OFF" quando libertado.

**⚠️ PRECAUÇÃO:** Certifique-se de que segura a ferramenta firmemente antes de desligar a ferramenta.

► Fig.3: 1. Alavanca do interruptor

Para iniciar a ferramenta, puxe simplesmente a alavanca do interruptor. A velocidade da ferramenta aumenta quando aumenta a pressão na alavanca do interruptor. Liberte a alavanca do interruptor para parar.

## Acender a lâmpada da frente

**⚠️ PRECAUÇÃO:** Não olhe para a luz ou para a fonte de iluminação diretamente.

Para o modelo DA332D

► Fig.4: 1. Lâmpada

Para o modelo DA333D

► Fig.5: 1. Lâmpada

Puxe a alavanca do interruptor para acender a lâmpada. A lâmpada mantém-se acesa enquanto a alavanca do interruptor estiver a ser puxada. A lâmpada apaga-se automaticamente aproximadamente 10 segundos após a alavanca do interruptor ser libertada.

**NOTA:** Utilize um pano seco para limpar a sujidade da lente da lâmpada. Tenha cuidado para não riscar a lente da lâmpada ou a iluminação pode ficar enfraquecida.

## Ação do interruptor de inversão

► **Fig.6:** 1. Alavanca do interruptor de inversão

**⚠PRECAUÇÃO:** Verifique sempre a direção de rotação antes da operação.

**⚠PRECAUÇÃO:** Só utilize o interruptor de inversão depois de a ferramenta estar completamente parada. Mudar a direção de rotação antes de a ferramenta parar pode estragar a ferramenta.

**⚠PRECAUÇÃO:** Quando não estiver a utilizar a ferramenta, coloque sempre a alavanca do interruptor de inversão na posição neutra.

Esta ferramenta tem um interruptor de inversão para mudar a direção de rotação. Pressione a alavanca do interruptor de inversão no lado A para rotação para a direita ou no lado B para rotação para a esquerda. Quando a alavanca do interruptor de inversão está na posição neutra, não é possível puxar a alavanca do interruptor.

## MONTAGEM

**⚠PRECAUÇÃO:** Certifique-se sempre de que a ferramenta está desligada e a bateria retirada antes de executar qualquer trabalho na ferramenta.

## Instalar ou retirar a broca de perfuração

*Acessório opcional*

Para o modelo DA332D

► **Fig.7:** 1. Chave do mandril

Para instalar a broca de perfuração, coloque-a no mandril até onde puder ir. Aperte o mandril manualmente. Coloque a chave do mandril em cada um dos três orifícios e aperte para a direita. Assegure que aperte os três orifícios do mandril uniformemente.

Para remover a broca de perfuração, rode a chave do mandril para a esquerda em apenas um dos orifícios, depois solte o mandril à mão.

Após a utilização, volte a colocar a chave do mandril na cavidade de armazenamento na ferramenta.

Para o modelo DA333D

► **Fig.8:** 1. Manga

Segure a ferramenta firmemente e rode a manga para a esquerda para abrir as garras do mandril. Coloque a broca de perfuração no mandril até onde puder ir. Segure a ferramenta firmemente e rode a manga para a direita para apertar o mandril.

Para retirar a broca de perfuração, segure a ferramenta firmemente e rode a manga para a esquerda.

## Instalar o gancho

► **Fig.9:** 1. Ranhura 2. Gancho 3. Parafuso

O gancho é conveniente para pendurar temporariamente a ferramenta. Pode ser instalado em qualquer um dos lados da ferramenta. Para instalar o gancho, coloque-o numa ranhura no corpo da ferramenta em qualquer um dos lados e prenda-o com um parafuso. Para o retirar, solte o parafuso e retire-o.

## Suporte da chave do mandril

*Apenas para o modelo DA332D (acessório opcional)*

► **Fig.10:** 1. Suporte da chave do mandril 2. Parafuso

Para instalar o suporte da chave do mandril, fixe-o na parte convexa da ferramenta em qualquer um dos lados e, em seguida, fixe-o com um parafuso. Para remover, solte o parafuso e retire-o.

## OPERAÇÃO

**⚠PRECAUÇÃO:** Insira sempre a bateria por completo até bloquear no lugar com um clique. Se conseguir ver o indicador vermelho no lado superior do botão, é porque não está bloqueada completamente. Introduza-a totalmente até o indicador vermelho não puder ser visto. Se isso não acontecer, a bateria pode cair acidentalmente da ferramenta, causando-lhe ferimentos a si ou alguém perto de si.

**⚠PRECAUÇÃO:** Quando a velocidade baixa demasiado, eduz a carga ou pare a ferramenta para evitar danificá-la.

**⚠PRECAUÇÃO:** Segure a ferramenta firmemente com uma mão no punho quando utilizar a ferramenta.

Para o modelo DA332D

► **Fig.11**

Para o modelo DA333D

► **Fig.12**

## Operação de perfuração

### Perfurar em madeira

Quando perfurar em madeira, os melhores resultados são obtidos com brocas para madeira equipadas com um parafuso guia. O parafuso guia facilita a perfuração empurrando a broca de perfuração para dentro da peça de trabalho.

### Perfurar em metal

Para evitar que a broca de perfuração deslize quando começa um orifício, faça um entalhe com um punção de bico e um martelo no ponto a perfurar. Coloque a ponta da broca de perfuração no entalhe e comece a perfurar. Utilize um lubrificante de corte quando perfurar metais. As exceções são ferro e latão, que devem ser perfurados a seco.

**⚠️ PRECAUÇÃO:** Não acelerará a perfuração se exercer demasiada pressão na ferramenta. Na realidade, esta pressão excessiva servirá apenas para danificar a ponta da broca de perfuração, diminuir o desempenho da ferramenta e encurtar o tempo de vida útil da ferramenta.

**⚠️ PRECAUÇÃO:** Segure a ferramenta com firmeza e tenha cuidado quando a broca de perfuração começar a atravessar a peça de trabalho. No momento de atravessar o orifício, exercer-se-á uma enorme força na ferramenta/broca de perfuração.

**⚠️ PRECAUÇÃO:** Uma broca de perfuração presa pode ser retirada colocando-se simplesmente o interruptor de inversão para rotação inversa para fazê-la sair. No entanto, a ferramenta pode saltar para trás de repente se não a agarrar firmemente.

**⚠️ PRECAUÇÃO:** Fixe sempre as peças de trabalho num torno ou outro dispositivo de fixação semelhante.

**⚠️ PRECAUÇÃO:** Se a ferramenta funcionar continuamente até o cartucho da bateria ficar descarregado, deixe a ferramenta de lado 15 minutos antes de prosseguir com uma bateria nova.

## ACESSÓRIOS OPCIONAIS

**⚠️ PRECAUÇÃO:** Estes acessórios ou peças são recomendados para utilização com a ferramenta Makita especificada neste manual. A utilização de outros acessórios ou peças pode ser perigosa para as pessoas. Utilize apenas acessórios ou peças para os fins indicados.

Se necessitar de informações adicionais relativas a estes acessórios, solicite-as ao seu centro de assistência Makita.

- Brocas de perfuração
- Chave do mandril
- Suporte da chave do mandril
- Gancho
- Caixa de plástico para transporte
- Bateria e carregador genuínos da Makita

**NOTA:** Alguns itens da lista podem estar incluídos na embalagem da ferramenta como acessórios padrão. Eles podem variar de país para país.

## MANUTENÇÃO

**⚠️ PRECAUÇÃO:** Certifique-se sempre de que a ferramenta se encontra desligada e de que a bateria foi retirada antes de executar qualquer inspeção ou manutenção.

**OBSERVAÇÃO:** Nunca utilize gasolina, benzina, diluente, álcool ou produtos semelhantes. Pode ocorrer a descoloração, deformação ou rachaduras.

Para manter a SEGURANÇA e a FIABILIDADE do produto, as reparações e qualquer outra manutenção ou ajuste devem ser levados a cabo pelos centros de assistência Makita autorizados ou pelos centros de assistência de fábrica, utilizando sempre peças de substituição Makita.

## SPECIFIKATIONER

Model:		DA332D	DA333D
Borekapacitet	Stål	10 mm	
	Træ	12 mm	
Hastighed uden belastning		0 - 1.100 min <sup>-1</sup>	
Længde i alt		313 mm - 332 mm	
Mærkespænding		D.C. 10,8 V - 12 V maks.	
Akku		BL1015 / BL1016 / BL1020B / BL1021B / BL1040B / BL1041B	
Nettovægt		1,2 - 1,3 kg	1,2 - 1,4 kg

- På grund af vores kontinuerlige forsknings- og udviklingsprogrammer kan hosstående specifikationer blive ændret uden varsel.
- Specifikationer og akku kan variere fra land til land.
- Vægten kan være anderledes afhængigt af tilbehøret, inklusive akkuen. Den letteste og tungeste kombination i henhold til EPTA-procedure 01/2014 er vist i tabellen.

### Tilsigtet anvendelse

Maskinen er beregnet til at bore i træ, metal og plastik.

### Lyd

Det typiske A-vægtede støjniveau bestemt i overensstemmelse med EN60745:

#### Model DA332D

Lydtryksniveau ( $L_{pA}$ ): 70 dB (A) eller derunder  
Usikkerhed (K): 3 dB (A)

#### Model DA333D

Lydtryksniveau ( $L_{pA}$ ): 70 dB (A) eller derunder  
Usikkerhed (K): 3 dB (A)

Støjniveauet under arbejdet kan overskride 80 dB (A).

**⚠ ADVARSEL: Bær høreværn.**

### Vibration

Vibrationens totalværdi (tre-aksial vektorsum) bestemt i overensstemmelse med EN60745:

#### Model DA332D

Arbejdstilstand: boring i metal  
Vibrationsemission ( $a_{h,D}$ ): 2,5 m/s<sup>2</sup> eller mindre  
Usikkerhed (K): 1,5 m/s<sup>2</sup>

#### Model DA333D

Arbejdstilstand: boring i metal  
Vibrationsemission ( $a_{h,D}$ ): 3,0 m/s<sup>2</sup>  
Usikkerhed (K): 1,5 m/s<sup>2</sup>

**BEMÆRK:** Den angivne vibrationsemissionsværdier blevet målt i overensstemmelse med standardtestmetoden og kan anvendes til at sammenligne et værktøj med et andet.

**BEMÆRK:** Den angivne vibrationsemissionsværdier kan også anvendes i en præliminær eksponeringsvurdering.

**⚠ ADVARSEL:** Vibrationsemissionen under den faktiske anvendelse af værktøjet kan være forskellig fra den erklærede emissionsværdi, afhængigt af den måde, hvorpå værktøjet anvendes.

**⚠ ADVARSEL:** Sørg for at identificere de sikkerhedsforskrifter til beskyttelse af operatøren, som er baseret på en vurdering af eksponering under de faktiske brugsforhold (med hensyntagen til alle dele i brugscyklussen, f.eks. de gange, hvor værktøjet er slukket, og når det kører i tomgang i tilgift til afbrydertiden).

### EU-overensstemmelseserklæring

#### Kun for lande i Europa

EU-overensstemmelseserklæringen er inkluderet som Bilag A i denne brugsanvisning.

## SIKKERHEDSADVARSLER

### Almindelige sikkerhedsregler for el-værktøj

**⚠ ADVARSEL:** Læs alle de sikkerhedsadvarsler, instruktioner, illustrationer og specifikationer, der følger med denne maskine. Forsømmelse af at overholde alle nedenstående instruktioner kan medføre elektrisk stød, brand og/eller alvorlig personskade.

### Gem alle advarsler og instruktioner til fremtidig reference.

Ordet "el-værktøj" i advarslerne henviser til det netforsynede (netledning) el-værktøj eller batteriforsynede (akku) el-værktøj.

## Sikkerhedsadvarsler for akku boremaskine

1. Brug hjælpehåndtaget (-håndtagene), hvis sådanne følger med maskinen. Hvis herredømmet over maskinen mistes, kan det føre til tilskadekomst.
2. Hold maskinen i de isolerede grebflader, når der udføres et arbejde, hvor skæretilbehøret kan komme i kontakt med skjulte ledninger. Skæretilbehør, som kommer i kontakt med en strømførende ledning, kan gøre maskinens ikke-isolerede metaldele strømførende, hvilket kan give operatøren elektrisk stød.
3. Vær altid sikker på, at De har et godt fodfæste. Vær sikker på, at der ikke befinder sig nogen nedenunder, når maskinen anvendes i højden.
4. Hold godt fast i maskinen.
5. Hold hænderne væk fra roterende dele.
6. Lad ikke maskinen køre i tomgang. Anvend kun maskinen håndholdt.
7. Rør ikke ved borebitten eller arbejdsstykket umiddelbart efter arbejde, da de kan være meget varme og give hudforbrændinger.
8. Nogle materialer indeholder kemikalier, som kan være giftige. Vær påpasselig med at forhindre inhalering af støv og hudkontakt. Følg materiale-leverandørens sikkerhedsdata.
9. Hvis borebitten ikke kan løsnes, selvom du åbner kæberne, skal du bruge en tang til at trække den ud. Hvis du i et sådant tilfælde trækker borebitten ud i hånden, kan det medføre personskaade på grund af dens skarpe kant.

## GEM DENNE BRUGSANVISNING.

**⚠ ADVARSEL:** LAD IKKE bekvemmelighed eller kendskab til produktet (opnået gennem gentagen brug) forhindre, at sikkerhedsforskrifterne for produktet nøje overholdes. MISBRUG eller forsømmelse af at følge de i denne brugsvejledning givne sikkerhedsforskrifter kan føre til, at De kommer alvorligt til skade.

## Vigtige sikkerhedsinstruktioner for akkuen

1. Læs alle instruktioner og advarselmærkater på (1) akku-opladeren, (2) akkuen og (3) produktet, som anvender akku.
2. Lad være med at skille akkuen ad.
3. Hold straks op med anvendelsen, hvis brugstiden er blevet stærkt afkortet. Fortsat anvendelse kan resultere i risiko for overophedning, forbrændinger og endog eksplosion.
4. Hvis De har fået elektrolytvæske i øjnene, skal De straks skylle den ud med rent vand og derefter øjeblikkeligt søge lægehjælp. I modsat fald kan De miste synet.

5. Vær påpasselig med ikke at komme til at kortslutte akkuen:
  - (1) Rør ikke ved terminalerne med noget ledende materiale.
  - (2) Udgå at opbevare akkuen i en beholder sammen med andre genstande af metal, for eksempel søm, mønter og lignende.
  - (3) Udsæt ikke akkuen for vand eller regn. Kortslutning af akkuen kan forårsage en kraftig økning af strømmen, overophedning, mulige forbrændinger og endog værktøjstop.
6. Opbevar ikke værktøjet og akkuen på et sted, hvor temperaturen kan nå eller overstige 50 °C.
7. Lad være med at brænde akkuen, selv ikke i tilfælde, hvor den har lidt alvorlig skade eller er fuldstændig udtjent. Akkuen kan eksplodere, hvis man forsøger at brænde den.
8. Lad være med at brænde akkuen eller udsætte den for stød.
9. Anvend ikke en beskadiget akku.
10. De indbyggede litium-ion-batterier er underlagt lovkrav vedrørende farligt gods. Ved kommerciel transport, f.eks. af tredjeparts transportselskaber, skal særlige krav til forpakning og mærkning overholdes. Ved forberedelse af udstyret til forsendelse skal du kontakte en ekspert i farligt gods. Overhold også eventuel mere detaljeret national lovgivning. Tape eller tildæk åbne kontakter, og pak batteriet på en måde, så det ikke kan flytte sig rundt i pakningen.
11. Følg de lokale love vedrørende bortskaffelsen af batterier.

## GEM DENNE BRUGSANVISNING.

**⚠ FORSIGTIG:** Brug kun originale batterier fra Makita. Brug af uoriginale Makita-batterier, eller batterier som er blevet ændret, kan muligvis medføre brud på batteriet, hvilket kan forårsage brand, personskaade eller beskadigelse. Det ugyldiggør også Makita-garantien for Makita-maskinen og opladeren.

## Tips til opnåelse af maksimal akku-levetid

1. Oplad akkuen, inden den er helt afladet. Stop altid værktøjet, og oplad akkuen, hvis De bemærker, at værktøjeffekten er aftagende.
2. Genoplad aldrig en fuldt opladet akku. Overopladning vil afkorte akkuens levetid.
3. Oplad akkuen ved stuetemperatur ved 10 °C - 40 °C. Lad altid en varm akku få tid til at køle af, inden den oplades.



# FUNKTIONSBESKRIVELSE

**⚠️FORSIGTIG:** Sørg altid for at maskinen er slukket, og at akkuen er taget ud, før der udføres justering eller kontrol af funktioner på maskinen.

## Isætning eller fjernelse af akkuen

**⚠️FORSIGTIG:** Sluk altid for værktøjet, før De monterer eller fjerner akkuen.

**⚠️FORSIGTIG:** Hold værktøjet og akkuen fast ved montering eller fjernelse af akkuen. Hvis De ikke holder værktøjet og akkuen fast, kan de glide ud af hænderne på Dem og forårsage beskadigelse af værktøjet og akkuen eller personskade.

► Fig.1: 1. Rød indikator 2. Knap 3. Akku

Akkuen fjernes ved, at De trækker den ud af værktøjet, idet De skyder knappen på forsiden af akkuen i stilling.

Akkuen monteres ved, at De sætter tungen på akkuen ud for noten i kabinettet og lader den glide på plads. Sæt den hele vejen ind, så den låses på plads med et lille klik. Hvis den røde indikator på oversiden af knappen er synlig, betyder det, at den ikke er tilstrækkeligt låst.

**⚠️FORSIGTIG:** Monter altid akkuen helt, indtil den røde indikator ikke længere er synlig. Hvis dette ikke gøres, kan den falde ud af værktøjet ved et uheld, hvorved De selv eller personer i nærheden kan komme til skade.









**⚠️FORSIGTIG:** Brug ikke magt ved montering af akkuen. Hvis akkuen ikke glider på plads uden problemer, betyder det, at den ikke sættes i på korrekt vis.

## Indikation af den resterende batteriladning

*Kun til akkuer med indikatoren*

► Fig.2: 1. Indikatorlamper 2. Kontrolknap

Tryk på kontrolknappen på akkuen for at få vist den resterende batteriladning. Indikatorlampen lyser i nogle sekunder.

Indikatorlamper		Resterende kapacitet
Tændt	Slukket	
		75% til 100%
		50% til 75%
		25% til 50%
		0% til 25%

**BEMÆRK:** Afhængigt af brugsforholdene og den omgivende temperatur kan indikationen afvige en smule fra den faktiske ladning.

## Batteribeskyttelsessystem

Maskinen er udstyret med et batteribeskyttelsessystem. Dette system afbryder automatisk strømmen til motoren for at forlænge akkulevetiden.

Maskinen stopper automatisk under anvendelsen, hvis maskinen og/eller akkuen udsættes for en af de følgende situationer:

### Overbelastet:

Maskinen anvendes på en sådan måde, at den bruger unormalt meget strøm.

Sluk i så fald for maskinen, og stop den anvendelse, der medførte, at maskinen blev overbelastet. Tænd derefter for maskinen for at starte igen.

Hvis maskinen ikke starter, er akkuen overophedet. Lad i så fald akkuen køle af, før du tænder for maskinen igen.

### Lav spænding på akkuen:

Den resterende batterikapacitet er for lav, og maskinen kan ikke fungere. Hvis du tænder for maskinen, kører motoren ikke, eller motoren kører igen, men stopper i løbet af kort tid. I denne situation skal du tage batteriet ud og genoplade det.

## Afbryderbetjening

**⚠️FORSIGTIG:** Før akkuen sættes i maskinen, skal du altid kontrollere, at kontakthåndtaget reagerer korrekt og vender tilbage til "OFF"-stillingen, når du slipper det.

**⚠️FORSIGTIG:** Sørg for at holde fast i maskinen, før der slukkes for maskinen.

► Fig.3: 1. Kontakthåndtag

For at starte maskinen skal du blot trække i kontakthåndtaget. Maskinens hastighed forøges ved at trykke hårdere på kontakthåndtaget. Slip kontakthåndtaget for at stoppe.

## Tænding af lampen foran

**⚠️FORSIGTIG:** Kig aldrig direkte på lyskilden. Lad ikke lyset falde i Deres øjne.

For model DA332D

► Fig.4: 1. Lampe

For model DA333D

► Fig.5: 1. Lampe

Træk i kontakthåndtaget for at tænde lampen. Lampen forbliver tændt, så længe der trækkes i kontakthåndtaget. Lyset slukkes automatisk cirka 10 sekunder efter, at kontakthåndtaget slippes.

**BEMÆRK:** Brug en tør klud til at tørre snavset af lampens linse. Pas på ikke at ridse lampens linse, da dette muligvis kan dæmpe belysningen.

## Omløbsvælgerbetjening

► **Fig.6:** 1. Omløbsvælger

**⚠FORSIGTIG:** Kontrollér altid omløbsretningen, inden arbejdet påbegyndes.

**⚠FORSIGTIG:** Flyt kun omløbsvælgeren, når maskinen er helt standset. Hvis omløbsretningen ændres, inden maskinen er helt stoppet, kan det beskadige maskinen.

**⚠FORSIGTIG:** Sæt altid omløbsvælgeren i neutral stilling, når maskinen ikke anvendes.

Denne maskinen har en omløbsvælger til at skifte omløbsretning. Skub omløbsvælgeren ind fra A-siden for omdrejning med uret, og fra B-siden for omdrejning mod uret.

Når omløbsvælgeren er i neutral stilling, kan kontakthåndtaget ikke trækkes ud.

## SAMLING

**⚠FORSIGTIG:** Sørg altid for at maskinen er slukket, og at akkuen er taget ud, før der udføres noget arbejde på maskinen.

## Montering eller afmontering af borebit

### Ekstraudstyr

For model DA332D

► **Fig.7:** 1. Patronnøgle

Ved montering af borebitten skal den sættes så langt ind i patronen, som den kan komme. Stram patronen i hånden. Sæt patronnøglen i hvert af de tre huller, og stram i retningen med uret. Sørg for at stramme alle tre patronhuller ligeligt.

For at fjerne borebitten drejes patronnøglen i retningen mod uret i blot et af hullerne. Løsn derefter patronen i hånden.

Efter brug returneres patronnøglen til opbevaringsrummet på maskinen.

For model DA333D

► **Fig.8:** 1. Muffe

Hold fast i maskinen, og drej muffen i retningen mod uret for at åbne patronkæberne. Sæt borebitten så langt ind i patronen, som den kan komme. Hold godt fast i maskinen, og drej muffen i retningen med uret for at stramme patronen.

Hold godt fast i maskinen, og drej muffen i retningen mod uret for at fjerne borebitten.

## Monteringskrog

► **Fig.9:** 1. Rille 2. Krog 3. Skruer

Krogen er bekvem til midlertidig ophængning af maskinen. Den kan monteres på begge sider af maskinen.

Krogen monteres ved at man sætter den ind i rillen på maskinen på en af siderne og derefter fastgør den med en skrue. Krogen tages af ved at man løsner skruen og derefter tager den af.

## Patronnøgleholder

Kun for model DA332D (ekstraudstyr)

► **Fig.10:** 1. Patronnøgleholder 2. Skrue

Patronnøgleholderen monteres ved at fastgøre den til den konvekse del af maskinhuset på en af siderne og derefter fastgøre den med en skrue. Den fjernes ved at løsne skruen og derefter tage den ud.

## ANVENDELSE

**⚠FORSIGTIG:** Sæt altid akkuen helt ind, indtil den låses på plads. Hvis du kan se den røde indikator på den øverste side af knappen, er den ikke helt låst. Sæt den helt ind, indtil den røde indikator ikke kan ses. I modsat fald kan den ved et uheld falde ud af maskinen og medføre personskaade på dig eller personer i nærheden.

**⚠FORSIGTIG:** Når hastigheden falder ekstremt meget, skal belastningen reduceres, eller maskinen skal stoppes for at undgå beskadigelse af maskinen.

**⚠FORSIGTIG:** Hold godt fast i maskinen med den ene hånd på maskinens grebdele, når du bruger maskinen.

For model DA332D

► **Fig.11**

For model DA333D

► **Fig.12**

## Boring

### Boring i træ

Når der bores i træ, opnås det bedste resultat med træbor, som er udstyret med en ledeskrue. Ledeskruen gør boring nemmere ved at trække borebitten ind i arbejdsstykket.

### Boring i metal

For at forhindre borebitten i at glide, når man begynder på et hul, skal man lave et hak med en kørner og en hammer på det punkt, hvor der skal bores. Anbring spidsen af borebitten i hakket og begynd boringen. Brug skæresmørelse, når der bores i metal. Undtagelserne er jern og messing, som skal tørbores.

**⚠FORSIGTIG:** Et kraftigere tryk på maskinen vil ikke gøre boringen hurtigere. Faktisk vil et kraftigere tryk kun føre til skade på spidsen af borebitten, nedsætte maskinen ydelse og afkorte maskinens levetid.

**⚠FORSIGTIG:** Hold godt fast i maskinen og udvis forsigtighed, når borebitten begynder at bryde igennem arbejdsstykket. Maskinen/borebitten udsættes for en kraftig påvirkning på det tidspunkt, hvor der brydes igennem hullet.

**⚠FORSIGTIG:** En borebit, der har sat sig fast, kan fjernes ved at man ganske enkelt sætter omløbsvælgeren til baglæns rotation for at bakke ud. Imidlertid kan maskinen pludselig bakke ud, hvis man ikke holder godt fast i den.

**⚠FORSIGTIG:** Fastgør altid arbejdsemner i en skruestik eller lignende udstyr til fastgørelse.

**⚠FORSIGTIG:** Hvis maskinen anvendes uafbrudt, indtil akkuen er udtjent, skal maskinen have lov til at hvile i 15 minutter, inden der fortsættes med en ny akku.

**BEMÆRK:** Nogle ting på denne liste kan være inkluderet i værktøjspakken som standardtilbehør. Det kan være forskellige fra land til land.

## VEDLIGEHOVELDELSE

**⚠FORSIGTIG:** Vær altid sikker på, at værktøjet er slukket, og at akkuen er taget ud, inden De begynder at udføre inspektion eller vedligeholdelse.

**BEMÆRKNING:** Anvend aldrig benzin, rensbenzin, fortynder, alkohol og lignende. Det kan medføre misfarvning, deformation eller revner.

For at opretholde produktets SIKKERHED og PALIDELIGHED må reparation, vedligeholdelse eller justering kun udføres af et autoriseret Makita servicecenter eller fabrikksservicecenter med anvendelse af Makita reservedele.

## EKSTRAUDSTYR

**⚠FORSIGTIG:** Det følgende tilbehør og ekstraudstyr er anbefalet til brug med Deres Makita maskine, der er beskrevet i denne brugsanvisning. Anvendelse af andet tilbehør eller ekstraudstyr kan udgøre en risiko for personskade. Anvend kun tilbehør og ekstraudstyr til det beskrevne formål.

Hvis De behøver hjælp ved valg af tilbehør eller ønsker yderligere informationer, bedes De kontakte Deres lokale Makita servicecenter.

- Borebits
- Patronnøgle
- Patronnøgleholder
- Krog
- Plastbæretasken
- Original Makita-akku og oplader

## ΠΡΟΔΙΑΓΡΑΦΕΣ

Μοντέλο:		DA332D	DA333D
Ικανότητες τρυπάνιματος	Ατσάλι	10 mm	
	Ξύλο	12 mm	
Ταχύτητα χωρίς φορτίο		0 - 1.100 min <sup>-1</sup>	
Συνολικό μήκος		313 mm - 332 mm	
Ονομαστική τάση		D.C. 10,8 V - 12 V max	
Κασέτα μπαταρίας		BL1015 / BL1016 / BL1020B / BL1021B / BL1040B / BL1041B	
Καθαρό βάρος		1,2 - 1,3 kg	1,2 - 1,4 kg

- Λόγω του συνεχιζόμενου προγράμματος έρευνας και ανάπτυξης, οι προδιαγραφές αυτές υπόκεινται σε αλλαγές χωρίς προειδοποίηση.
- Οι προδιαγραφές και η κασέτα μπαταριών μπορεί να διαφέρουν ανάλογα με τη χώρα.
- Το βάρος μπορεί να διαφέρει ανάλογα με τα προσαρτήματα, συμπεριλαμβάνοντας την κασέτα μπαταριών. Ο ελαφρύτερος και ο βαρύτερος συνδυασμός, σύμφωνα με τη διαδικασία ΕΡΤΑ 01/2014, παρουσιάζονται στον πίνακα.

### Προοριζόμενη χρήση

Το εργαλείο προορίζεται για τρυπάνισμα σε ξύλο, μέταλλο και πλαστικό.

### Θόρυβος

Το τυπικό Α επίπεδο καταμετρημένου θορύβου καθορίζεται σύμφωνα με το EN60745:

#### Μοντέλο DA332D

Στάθμη ηχητικής πίεσης ( $L_{pA}$ ): 70 dB (A) ή λιγότερο  
Αβεβαιότητα (K): 3 dB (A)

#### Μοντέλο DA333D

Στάθμη ηχητικής πίεσης ( $L_{pA}$ ): 70 dB (A) ή λιγότερο  
Αβεβαιότητα (K): 3 dB (A)

Η ένταση θορύβου υπό συνθήκες εργασίας μπορεί να υπερβεί τα 80 dB (A).

**ΠΡΟΕΙΔΟΠΟΙΗΣΗ:** Να φοράτε ωτοασπίδες.

### Κραδασμός

Η ολική τιμή δόνησης (άθροισμα τρι-αξονικού διανύσματος) καθορίζεται σύμφωνα με το EN60745:

#### Μοντέλο DA332D

Είδος εργασίας: τρυπάνισμα σε μέταλλο  
Εκπομπή δόνησης ( $a_{h,D}$ ): 2,5 m/s<sup>2</sup> ή λιγότερο  
Αβεβαιότητα (K): 1,5 m/s<sup>2</sup>

#### Μοντέλο DA333D

Είδος εργασίας: τρυπάνισμα σε μέταλλο  
Εκπομπή δόνησης ( $a_{h,D}$ ): 3,0 m/s<sup>2</sup>  
Αβεβαιότητα (K): 1,5 m/s<sup>2</sup>

**ΠΑΡΑΤΗΡΗΣΗ:** Η δηλωμένη τιμή εκπομπής κραδασμών έχει μετρηθεί σύμφωνα με την πρότυπη μέθοδο δοκιμής και μπορεί να χρησιμοποιηθεί για τη σύγκριση ενός εργαλείου με άλλο.

**ΠΑΡΑΤΗΡΗΣΗ:** Η δηλωμένη τιμή εκπομπής κραδασμών μπορεί να χρησιμοποιηθεί και στην προκαταρκτική αξιολόγηση έκθεσης.

**ΠΡΟΕΙΔΟΠΟΙΗΣΗ:** Η εκπομπή κραδασμών κατά τη χρήση του ηλεκτρικού εργαλείου σε πραγματικές συνθήκες μπορεί να διαφέρει από τη δηλωμένη τιμή εκπομπής ανάλογα με τον τρόπο χρήσης του εργαλείου.

**ΠΡΟΕΙΔΟΠΟΙΗΣΗ:** Φροντίστε να λάβετε τα κατάλληλα μέτρα προστασίας του χειριστή βάσει ενός υπολογισμού της έκθεσης σε πραγματικές συνθήκες χρήσης (λαμβάνοντας υπόψη όλες τις συνιστώσες του κύκλου λειτουργίας όπως τους χρόνους που το εργαλείο είναι εκτός λειτουργίας και όταν βρίσκεται σε αδρανή λειτουργία πέραν του χρόνου ενεργοποίησης).

### Δήλωση συμμόρφωσης ΕΚ

*Μόνο για χώρες της Ευρώπης*

Η δήλωση συμμόρφωσης ΕΚ περιλαμβάνεται ως Παράρτημα Α στο παρόν εγχειρίδιο οδηγιών.

## ΠΡΟΕΙΔΟΠΟΙΗΣΕΙΣ ΑΣΦΑΛΕΙΑΣ

### Γενικές προειδοποιήσεις ασφαλείας για το ηλεκτρικό εργαλείο

**ΠΡΟΕΙΔΟΠΟΙΗΣΗ:** Διαβάστε όλες τις προειδοποιήσεις ασφαλείας, οδηγίες, εικονογραφήσεις και προδιαγραφές που παρέχονται με αυτό το ηλεκτρικό εργαλείο. Η μη τήρηση όλων των οδηγιών που αναγράφονται κατωτέρω μπορεί να καταλήξει σε ηλεκτροπληξία, πυρκαγιά ή/και σοβαρό τραυματισμό.

### Φυλάξτε όλες τις προειδοποιήσεις και τις οδηγίες για μελλοντική παραπομπή.

Στις προειδοποιήσεις, ο όρος «ηλεκτρικό εργαλείο» αναφέρεται σε ηλεκτρικό εργαλείο που τροφοδοτείται από την κύρια παροχή ηλεκτρικού ρεύματος (με ηλεκτρικό καλώδιο) ή σε ηλεκτρικό εργαλείο που τροφοδοτείται από μπαταρία (χωρίς ηλεκτρικό καλώδιο).

## Προειδοποιήσεις ασφάλειας για φορητό τρυπάνι

1. Να χρησιμοποιείτε τις βοηθητικές λαβές, εάν παρέχονται με το εργαλείο. Η απώλεια του ελέγχου μπορεί να προκαλέσει προσωπικό τραυματισμό.
2. Να κρατάτε το ηλεκτρικό εργαλείο από τις μονωμένες επιφάνειες λαβής όταν εκτελείτε εργασίες κατά τις οποίες το εξάρτημα κοπής μπορεί να έρθει σε επαφή με κρυμμένα καλώδια. Αν το εξάρτημα έρθει σε επαφή με κάποιο ηλεκτροφόρο καλώδιο, μπορεί να εκτεθειμένα μεταλλικά μέρη του ηλεκτρικού εργαλείου να γίνουν κι αυτά ηλεκτροφόρα και να προκληθεί ηλεκτροπληξία στο χειριστή.
3. Να βεβαιώνετε πάντοτε ότι στέκεστε σταθερά. Όταν χρησιμοποιείτε το εργαλείο σε υψηλές τοποθεσίες, να βεβαιώνετε ότι δεν βρίσκεται κανένας από κάτω.
4. Κρατήστε το εργαλείο σταθερά.
5. Μην πλησιάζετε τα χέρια σας σε περιστρεφόμενα μέρη.
6. Μην αφήνετε το εργαλείο σε λειτουργία. Το εργαλείο πρέπει να βρίσκεται σε λειτουργία μόνο όταν το κρατάτε.
7. Μην αγγίζετε τη μύτη τρυπανιού ή το τεμάχιο εργασίας αμέσως μετά τη λειτουργία του εργαλείου. Μπορεί να είναι εξαιρετικά θερμά και να προκληθεί έγκαυμα στο δέρμα σας.
8. Μερικά υλικά περιέχουν χημικά που μπορεί να είναι τοξικά. Προσέχετε ώστε να αποφεύγετε την εισπνοή σκόνης και την επαφή με το δέρμα. Ακολουθείτε τα δεδομένα ασφαλείας υλικού που παρέχονται από τον προμηθευτή.
9. Αν η μύτη τρυπανιού δεν μπορεί να χαλαρώσει ακόμη κι αν ανοίξετε τις σιαγόνες, χρησιμοποιήστε τανάλη για να την τραβήξετε. Σε αυτή την περίπτωση, αν τραβήξετε τη μύτη τρυπανιού με το χέρι σας, μπορεί να έχει ως αποτέλεσμα τραυματισμό από το κοφτερό άκρο της.

## ΦΥΛΑΞΤΕ ΤΙΣ ΟΔΗΓΙΕΣ ΑΥΤΕΣ.

**▲ΠΡΟΕΙΔΟΠΟΙΗΣΗ:** ΜΗΝ επιτρέψετε το βαθμό άνεσης ή εξοικείωσης με το προϊόν (λόγω επανειλημμένης χρήσης) να αντικαταστήσει την αυστηρή τήρηση των κανόνων ασφαλείας του παρόντος εργαλείου. Η ΛΑΝΘΑΣΜΕΝΗ ΧΡΗΣΗ ή η αμέλεια να ακολουθήσετε τους κανόνες ασφαλείας που διατυπώνονται στο παρόν εγχειρίδιο οδηγίων μπορεί να προκαλέσει σοβαρό προσωπικό τραυματισμό.

## Σημαντικές οδηγίες ασφάλειας για κασέτα μπαταριών

1. Πριν χρησιμοποιήσετε την κασέτα μπαταριών, διαβάστε όλες τις οδηγίες και σημειώσεις προφύλαξης (1) στον φορτιστή μπαταριών, (2) στην μπαταρία και (3) στο προϊόν που χρησιμοποιεί την μπαταρία.
2. Μην αποσυναρμολογήσετε την κασέτα μπαταριών.
3. Εάν ο χρόνος λειτουργίας έχει γίνει υπερβολικά βραχύς, σταματήστε τη λειτουργία αμέσως. Αλλιώς, μπορεί να έχει ως αποτέλεσμα κίνδυνο υπερθέρμανσης, πιθανά εγκαύματα ή ακόμη και έκρηξη.

4. Εάν ηλεκτρολύτης μπει στα μάτια σας, ξεπλύνετε τα με καθαρό νερό και ζητήστε ιατρική φροντίδα αμέσως. Αλλιώς, μπορεί να έχει ως αποτέλεσμα απώλεια της όρασης σας.
5. Μην βραχυκυκλώνετε την κασέτα μπαταριών:
  - (1) Μην αγγίζετε τους πόλους με οτιδήποτε αγώγιμο υλικό.
  - (2) Αποφεύγετε να αποθηκεύετε την κασέτα μπαταριών μέσα σε ένα δοχείο μαζί με άλλα μεταλλικά αντικείμενα όπως καρφιά, νομίσματα, κλπ.
  - (3) Μην εκθέτετε την κασέτα μπαταριών στο νερό ή στη βροχή.

Ένα βραχυκύκλωμα μπαταρίας μπορεί να προκαλέσει μεγάλη ροή ρεύματος, υπερθέρμανση, πιθανά εγκαύματα ακόμη και σοβαρή βλάβη.

6. Μην αποθηκεύετε το εργαλείο και την κασέτα μπαταριών σε τοποθεσίες όπου η θερμοκρασία μπορεί να φτάσει ή να ξεπεράσει τους 50°C.
7. Μην καίτε την κασέτα μπαταριών ακόμη και εάν έχει σοβαρή ζημιά ή είναι εντελώς φθαρμένη. Η κασέτα μπαταριών μπορεί να εκραγεί στη φωτιά.
8. Προσέχετε να μη ρίξετε κάτω ούτε να χτυπήσετε την μπαταρία.
9. Μην χρησιμοποιείτε μπαταρία που έχει υποστεί ζημιά.
10. Οι μπαταρίες ιόντων λιθίου που περιέχονται υποκείνται στις απαιτήσεις της νομοθεσίας για επικίνδυνα αγαθά.  
Για εμπορικές μεταφορές, για παράδειγμα από τρίτα μέρη, πρέπει να τηρούνται οι διαμεταφορές, οι ειδικές απαιτήσεις στη συσκευασία και η επισήμανση. Για προετοιμασία του στοιχείου που αποστέλλεται, είναι απαραίτητο να συμβουλευτείτε έναν ειδικό για επικίνδυνα υλικά. Επίσης, τηρήστε τους πιθανούς, πιο αναλυτικούς εθνικούς κανονισμούς. Καλύψτε με αυτοκόλλητη ταινία ή κρύψτε τις ανοικτές επαφές και συσκευάστε την μπαταρία με τρόπο που να μην μπορεί να μετακινείται μέσα στη συσκευασία.
11. Τηρήστε τους τοπικούς κανονισμούς που σχετίζονται με τη διάθεση της μπαταρίας.

## ΦΥΛΑΞΤΕ ΤΙΣ ΟΔΗΓΙΕΣ ΑΥΤΕΣ.

**▲ΠΡΟΣΟΧΗ:** Να χρησιμοποιείτε μόνο γνήσιες μπαταρίες της Makita. Η χρήση μη γνήσιων μπαταριών Makita, ή μπαταριών που έχουν τροποποιηθεί, μπορεί να έχει ως αποτέλεσμα τη ρήξη της μπαταρίας, προκαλώντας πυρκαγιά, προσωπικό τραυματισμό και βλάβη. Επίσης, θα ακυρωθεί η εγγύηση της Makita για το εργαλείο και φορτιστή Makita.

## Συμβουλές για τη διατήρηση της μέγιστης ζωής μπαταρίας

1. Φορτίζετε την κασέτα μπαταριών πριν από την πλήρη αποφόρτισή της. Πάντοτε να σταματάτε τη λειτουργία του εργαλείου και να φορτίζετε την κασέτα μπαταριών όταν παρατηρείτε μειωμένη ισχύ εργαλείου.
2. Ποτέ μην επαναφορτίζετε μια πλήρως φορτισμένη κασέτα μπαταρία. Η υπερφόρτιση μειώνει την ωφέλιμη ζωή της μπαταρίας.
3. Να φορτίζετε την κασέτα μπαταριών σε θερμοκρασία δωματίου, δηλαδή στους 10°C έως 40°C. Αφήστε μια θερμή κασέτα μπαταριών να κρυώσει πριν την φορτίσετε.

## ΠΕΡΙΓΡΑΦΗ ΛΕΙΤΟΥΡΓΙΑΣ

**▲ ΠΡΟΣΟΧΗ:** Να φροντίζετε πάντα για την απενεργοποίηση του εργαλείου και την αφαίρεση της κασέτας μπαταρίας, πριν από οποιαδήποτε ρύθμιση ή έλεγχο της λειτουργίας του.

### Τοποθέτηση ή αφαίρεση της κασέτας μπαταριών

**▲ ΠΡΟΣΟΧΗ:** Να σβήνετε πάντα το εργαλείο πριν τοποθετήσετε ή αφαιρέσετε την κασέτα μπαταριών.

**▲ ΠΡΟΣΟΧΗ:** Κρατήστε το εργαλείο και την κασέτα μπαταριών σταθερά κατά την τοποθέτηση ή αφαίρεση της κασέτας μπαταριών. Εάν δεν κρατάτε το εργαλείο και την κασέτα μπαταριών σταθερά μπορεί να γλιστρήσουν από τα χέρια σας και να προκληθεί βλάβη στο εργαλείο και την κασέτα μπαταριών και προσωπικός τραυματισμός.

► **Εικ.1:** 1. Κόκκινη ένδειξη 2. Κουμπί 3. Κασέτα μπαταριών

Για να αφαιρέσετε την κασέτα μπαταριών, ολισθήστε την από το εργαλείο ενώ σύρετε το κουμπί στο μπροστινό μέρος της κασέτας.

Για να τοποθετήσετε την κασέτα μπαταριών, ευθυγραμμίστε τη γλώσσα στην κασέτα μπαταριών με την αύλακα στην υποδοχή και ολισθήστε τη στη θέση της. Να την τοποθετείτε πλήρως μέχρι να ασφαλίσει στη θέση της, γεγονός που υποδεικνύεται με ένα χαρακτηριστικό ήχο. Εάν μπορείτε να δείτε την κόκκινη ένδειξη στην επάνω πλευρά του κουμπιού, δεν έχει κλειδώσει τελείως.

**▲ ΠΡΟΣΟΧΗ:** Να τοποθετείτε πάντα την κασέτα μπαταριών πλήρως μέχρι να μη βλέπετε την κόκκινη ένδειξη. Εάν δεν ασφαλιστεί, μπορεί να πέσει από το εργαλείο τυχαία, προκαλώντας σωματική βλάβη σε εσάς ή κάποιον άλλο γύρω σας.

**▲ ΠΡΟΣΟΧΗ:** Μην τοποθετείτε την κασέτα μπαταριών με βία. Εάν η κασέτα δεν ολισθαίνει με ευκολία, τότε δεν έχει τοποθετηθεί κατάλληλα.

### Εμφάνιση υπολειπόμενης χωρητικότητας μπαταρίας

*Μόνο για κασέτες μπαταρίας με την ενδεικτική λυχνία*

► **Εικ.2:** 1. Ενδεικτικές λυχνίες 2. Κουμπί ελέγχου

Πίστετε το κουμπί ελέγχου στην κασέτα μπαταριών για να υποδείξετε την υπολειπόμενη χωρητικότητα μπαταρίας. Οι ενδεικτικές λυχνίες ανάβουν για λίγα δευτερόλεπτα.

Ενδεικτικές λυχνίες		Υπόλοιπη χωρητικότητα
Αναμμένες	Σβηστές	
■ ■ ■ ■	□	75% έως 100%
■ ■ ■ □	□	50% έως 75%
■ ■ □ □	□ □	25% έως 50%
■ □ □ □	□ □ □ □	0% έως 25%

**ΠΑΡΑΤΗΡΗΣΗ:** Ανάλογα με τις συνθήκες χρήσης και τη θερμοκρασία περιβάλλοντος, η ένδειξη μπορεί να διαφέρει λίγο από την πραγματική χωρητικότητα.

### Σύστημα προστασίας μπαταρίας

Το εργαλείο είναι εξοπλισμένο με σύστημα προστασίας της μπαταρίας. Αυτό το σύστημα αποκρίνει αυτόματα την ισχύ προς το μοτέρ για να παραταθεί η διάρκεια ζωής της μπαταρίας.

Το εργαλείο σταματάει αυτόματα κατά τη διάρκεια της λειτουργίας αν το εργαλείο ή/και η μπαταρία βρεθούν κάτω από τις παρακάτω συνθήκες:

#### Υπερφόρτωση:

Το εργαλείο λειτουργεί με τρόπο ώστε να αναγκάζεται να καταναλώνει ασυνήθιστα υψηλό ρεύμα.

Σε αυτή την κατάσταση, σβήστε το εργαλείο και διακόψτε την εφαρμογή που προκαλεί την υπερφόρτωση του εργαλείου. Μετά, ενεργοποιήστε το εργαλείο για επανεκκίνηση.

Αν το εργαλείο δεν ξεκινάει, η μπαταρία έχει υπερθερμανθεί. Σε αυτή την κατάσταση, αφήστε την μπαταρία να κρυώσει πριν ενεργοποιηθεί ξανά το εργαλείο.

#### Χαμηλή τάση μπαταρίας:

Η εναπομεινούσα χωρητικότητα μπαταρίας είναι πολύ χαμηλή και το εργαλείο δεν θα λειτουργήσει. Εάν ανάψετε το εργαλείο, το μοτέρ δεν λειτουργεί ή το μοτέρ λειτουργεί ξανά αλλά σύντομα σταματάει. Σε αυτή την περίπτωση, αφαιρέστε και επαναφορτίστε την μπαταρία.

### Δράση διακόπτη

**▲ ΠΡΟΣΟΧΗ:** Πριν τοποθετήσετε την κασέτα μπαταρίας μέσα στο εργαλείο, να ελέγχετε πάντα να δείτε αν ο μοχλός διακόπτης ενεργοποιείται κανονικά και επιστρέφει στη θέση «OFF» όταν ελευθερώνεται.

**▲ ΠΡΟΣΟΧΗ:** Βεβαιωθείτε να κρατάτε το εργαλείο σταθερά πριν σβήσετε το εργαλείο.

► **Εικ.3:** 1. Μοχλός διακόπτης

Για να ξεκινήσετε το εργαλείο, απλώς τραβήξτε το μοχλό διακόπτη. Η ταχύτητα του εργαλείου αυξάνει αν αυξήσετε την πίεση στο μοχλό διακόπτη. Ελευθερώστε το μοχλό διακόπτη για να σταματήσει.

## Αναμμα της μπροστινής λάμπας

**ΠΡΟΣΟΧΗ:** Μην κοιτάζετε κατευθείαν μέσα στο φως ή στην πηγή φωτός.

Για το μοντέλο DA332D

► **Εικ.4:** 1. Λάμπα

Για το μοντέλο DA333D

► **Εικ.5:** 1. Λάμπα

Τραβήξτε το μοχλό διακόπτη για να ανάψετε τη λάμπα. Η λάμπα εξακολουθεί να είναι αναμμένη όσο τραβάτε το μοχλό διακόπτη. Η λάμπα σβήνει αυτόματα περίπου 10 δευτερόλεπτα αφού αφήσετε το μοχλό διακόπτη.

**ΠΑΡΑΤΗΡΗΣΗ:** Χρησιμοποιήστε ένα στεγνό πανί για να σκουπίσετε τη σκόνη από το φακό της λάμπας. Προσέχετε να μη γρατζουνίζετε το φακό της λάμπας, επειδή μπορεί να μειωθεί η ένταση του φωτισμού.

## Δράση διακόπτη αντιστροφής

► **Εικ.6:** 1. Μοχλός διακόπτη αντιστροφής

**ΠΡΟΣΟΧΗ:** Να ελέγχετε πάντα τη διεύθυνση περιστροφής πριν από τη λειτουργία.

**ΠΡΟΣΟΧΗ:** Να χρησιμοποιείτε τον διακόπτη αντιστροφής μόνο αφού το εργαλείο σταματήσει εντελώς. Η αλλαγή της διεύθυνσης περιστροφής πριν σταματήσει το εργαλείο μπορεί να προκαλέσει ζημιά στο εργαλείο.

**ΠΡΟΣΟΧΗ:** Όταν δεν χρησιμοποιείτε το εργαλείο, να βάζετε πάντα το μοχλό διακόπτη αντιστροφής στην ουδέτερη θέση.

Αυτό το εργαλείο διαθέτει έναν διακόπτη αντιστροφής για να αλλάζετε τη διεύθυνση περιστροφής. Πιέστε το μοχλό διακόπτη αντιστροφής από την πλευρά Α για δεξιόστροφη περιστροφή ή από την πλευρά Β για αριστερόστροφη περιστροφή. Όταν ο μοχλός διακόπτη αντιστροφής είναι στην ουδέτερη θέση, ο μοχλός διακόπτη δεν μπορεί να τραβηχθεί.

## ΣΥΝΑΡΜΟΛΟΓΗΣΗ

**ΠΡΟΣΟΧΗ:** Να βεβαιώνετε πάντα ότι το εργαλείο είναι σβηστό και η κασέτα μπαταρίας έχει αφαιρεθεί πριν εκτελέσετε κάποια εργασία στο εργαλείο.

## Τοποθέτηση ή αφαίρεση μύτης τρυπανιού

*Προαιρετικό αξεσουάρ*

Για το μοντέλο DA332D

► **Εικ.7:** 1. Κλειδί σφιγκτήρα

Για να τοποθετήσετε μια μύτη τρυπανιού, τοποθετήστε τη στο σφιγκτήρα όσο περισσότερο γίνεται. Σφίξτε το σφιγκτήρα με το χέρι. Τοποθετήστε το κλειδί σφιγκτήρα σε κάθε μία από τις τρεις οπές και σφίξτε δεξιόστροφα. Βεβαιωθείτε να σφίξτε ομοιόμορφα και τις τρεις οπές του σφιγκτήρα.

Για να βγάλετε τη μύτη τρυπανιού, περιστρέψτε αριστερόστροφα το κλειδί σφιγκτήρα σε μία μόνο οπή και κατόπιν ξεσφίξτε το σφιγκτήρα με το χέρι. Μετά τη χρήση, επιστρέψτε το κλειδί σφιγκτήρα στο χώρο φύλαξης του στο εργαλείο.

Για το μοντέλο DA333D

► **Εικ.8:** 1. Τσοκ

Κρατήστε το εργαλείο σταθερά και γυρίστε το τσοκ αριστερόστροφα για να ανοίξετε τις σιαγόνες του σφιγκτήρα. Τοποθετήστε τη μύτη τρυπανιού στο σφιγκτήρα μέχρι τέρμα. Κρατήστε σταθερά το εργαλείο και γυρίστε το τσοκ δεξιόστροφα για να σφίξετε το σφιγκτήρα. Για να αφαιρέσετε τη μύτη τρυπανιού, κρατήστε σταθερά το εργαλείο και γυρίστε το τσοκ αριστερόστροφα.

## Τοποθέτηση γάντζου

► **Εικ.9:** 1. Αυλάκωση 2. Γάντζος 3. Βίδα

Ο γάντζος είναι βολικός για προσωρινό κρέμασμα του εργαλείου. Μπορεί να τοποθετηθεί σε οποιαδήποτε πλευρά του εργαλείου. Για να τοποθετήσετε το γάντζο, βάλτε τον σε μια αυλάκωση στο περίβλημα του εργαλείου σε οποιαδήποτε πλευρά και μετά ασφαλίστε τον με μια βίδα. Για να τον αφαιρέσετε, χαλαρώστε τη βίδα και μετά αφαιρέστε τον.

## Υποδοχή κλειδιού σφιγκτήρα

Για το μοντέλο DA332D μόνο (προαιρετικό εξάρτημα)

► **Εικ.10:** 1. Υποδοχή κλειδιού σφιγκτήρα 2. Βίδα

Για να τοποθετήσετε την υποδοχή κλειδιού σφιγκτήρα, στερεώστε τη στο κυρτό τμήμα του εργαλείου σε οποιαδήποτε πλευρά και μετά ασφαλίστε τη με μια βίδα. Για να την αφαιρέσετε, χαλαρώστε τη βίδα και μετά αφαιρέστε την.

## ΛΕΙΤΟΥΡΓΙΑ

**ΠΡΟΣΟΧΗ:** Πάντα να εισαγάγετε την κασέτα μπαταριών έως το τέρμα, μέχρι να ασφαλίσει στη θέση της. Αν μπορείτε να δείτε την κόκκινη ένδειξη στην επάνω πλευρά του κουμπιού, δεν έχει κλειδώσει τελείως. Εισαγάγετε την πλήρως έτοιμη ώστε να μην φαίνεται η κόκκινη ένδειξη. Σε αντίθετη περίπτωση, μπορεί να πέσει κατά λάθος από το εργαλείο και να τραυματίσει εσάς ή κάποιον παρευρισκόμενο.

**ΠΡΟΣΟΧΗ:** Όταν το εργαλείο λειτουργεί πολύ δυνατά, μειώστε το φορτίο ή σταματήστε τη λειτουργία του εργαλείου για να αποφύγετε την πρόκληση ζημιάς στο εργαλείο.

**ΠΡΟΣΟΧΗ:** Όταν χρησιμοποιείτε το εργαλείο, κρατήστε το εργαλείο σταθερά με το ένα χέρι στη χειρολαβή του εργαλείου.

Για το μοντέλο DA332D

► **Εικ.11**

Για το μοντέλο DA333D

► **Εικ.12**

## Λειτουργία τρυπανιού

### Τρυπάνισμα ξύλου

Όταν τρυπανίζετε σε ξύλο, έχετε καλύτερα αποτελέσματα με μύτες για ξύλο εξοπλισμένες με βίδα οδήγησης. Η βίδα οδήγησης κάνει το τρυπάνισμα ευκολότερο επειδή τραβάει τη μύτη τρυπανιού μέσα στο τεμάχιο εργασίας.

### Τρυπάνισμα σε μέταλλο

Για να μην ολισθήσει μια μύτη τρυπανιού όταν ξεκινάτε τη δημιουργία μιας οπής, κάντε ένα κοίλωμα με πόντα και σφυρί στο σημείο όπου θα τρυπανίσετε. Τοποθετήστε τη μύτη τρυπανιού στο κοίλωμα και ξεκινήστε το τρυπάνισμα.

Όταν τρυπανίζετε μέταλλα, χρησιμοποιήστε λιπαντικό κοπής. Εξάιρεση αποτελούν το σίδερο και ο χάλυβας τα οποία θα πρέπει να τρυπανίζετε στεγνά.

**⚠️ ΠΡΟΣΟΧΗ:** Η υπερβολική πίεση στο εργαλείο δεν επιταχύνει τη διάτρηση. Στην πραγματικότητα, αυτή η υπερβολική πίεση προκαλεί ζημία στο άκρο της μύτης τρυπανιού, μείωση της απόδοσης όπως και της διάρκειας ζωής του εργαλείου.

**⚠️ ΠΡΟΣΟΧΗ:** Κρατήστε σταθερά το εργαλείο και προσέχετε ιδιαίτερα τη στιγμή που η μύτη τρυπανιού διέρχεται από το άλλο άκρο της οπής. Ασκείται τεράστια δύναμη στο εργαλείο/μύτη τρυπανιού τη στιγμή που διαπερνάει η οπή.

**⚠️ ΠΡΟΣΟΧΗ:** Μπορείτε να αφαιρέσετε μια μπλοκαρισμένη μύτη τρυπανιού με απλή ρύθμιση του διακόπτη αντιστροφής στη θέση αντίστροφης περιστροφής, ώστε η μύτη να οπισθοχωρήσει. Ωστόσο, το εργαλείο μπορεί να οπισθοχωρήσει έξω από την οπή απότομα, αν δεν το κρατάτε σταθερά.

**⚠️ ΠΡΟΣΟΧΗ:** Να ασφαρίζετε πάντα τα τεμάχια εργασίας σε μέγγενη ή παρόμοια διάταξη συγκράτησης.

**⚠️ ΠΡΟΣΟΧΗ:** Αν το εργαλείο λειτουργεί συνεχόμενα έως ότου αποφορτιστεί η κασέτα μπαταριών, αφήστε το εργαλείο σβηστό για 15 λεπτά πριν συνεχίσετε την εργασία με καινούργια μπαταρία.

## ΣΥΝΤΗΡΗΣΗ

**⚠️ ΠΡΟΣΟΧΗ:** Πριν την εκτέλεση εργασιών επιθεώρησης ή συντήρησης, πάντοτε να βεβαιώνετε ότι η συσκευή απενεργοποιήθηκε και η κασέτα μπαταριών έχει αφαιρεθεί.

**ΕΙΔΟΠΟΙΗΣΗ:** Μην χρησιμοποιείτε ποτέ βενζίνη, πετρελαϊκό αιθέρα, διαλυτικό, αλκοόλη ή παρόμοιες ουσίες. Μπορεί να προκληθεί αποχρωματισμός, παραμόρφωση ή ρωγμές.

Για τη διατήρηση της ΑΣΦΑΛΕΙΑΣ και ΑΞΙΟΠΙΣΤΙΑΣ του προϊόντος, οι επισκευές και οποιαδήποτε άλλη εργασία συντήρησης ή ρύθμισης πρέπει να εκτελούνται από εξουσιοδοτημένα ή εργοστασιακά κέντρα εξυπηρέτησης της Makita, χρησιμοποιώντας πάντοτε ανταλλακτικά της Makita.

## ΠΡΟΑΙΡΕΤΙΚΑ ΕΞΑΡΤΗΜΑΤΑ

**⚠️ ΠΡΟΣΟΧΗ:** Αυτά τα εξαρτήματα ή προσαρτήματα συνιστώνται για χρήση με το εργαλείο Makita που περιγράφηκε στις οδηγίες αυτές. Η χρήση οποιωνδήποτε άλλων εξαρτημάτων ή προσαρτημάτων μπορεί να προκαλέσει κίνδυνο τραυματισμού σε άτομα. Να χρησιμοποιείτε τα εξαρτήματα ή προσαρτήματα μόνο για την χρήση που προορίζονται.

Εάν χρειάζεστε οποιαδήποτε βοήθεια για περισσότερες πληροφορίες σε σχέση με αυτά τα εξαρτήματα, απευθυνθείτε στο τοπικό σας κέντρο εξυπηρέτησης Makita.

- Μύτες τρυπανιού
- Κλειδί σφιγκτήρα
- Υποδοχή κλειδιού σφιγκτήρα
- Γάντζος
- Πλαστική θήκη μεταφοράς
- Γνήσια μπαταρία και φορτιστής της Makita

**ΠΑΡΑΤΗΡΗΣΗ:** Μερικά στοιχεία στη λίστα μπορεί να συμπεριλαμβάνονται στη συσκευασία εργαλείου ως στάνταρ εξαρτήματα. Μπορεί να διαφέρουν ανάλογα με τη χώρα.



## TEKNİK ÖZELLİKLER

Model:		DA332D	DA333D
Delme kapasiteleri	Çelik	10 mm	
	Tahta	12 mm	
Yüksüz hız	0 - 1.100 min <sup>-1</sup>		
Toplam uzunluk	313 mm - 332 mm		
Anma voltajı	D.C. 10,8 V - 12 V maks		
Batarya kartuşu	BL1015 / BL1016 / BL1020B / BL1021B / BL1040B / BL1041B		
Net ağırlık	1,2 - 1,3 kg	1,2 - 1,4 kg	

- Sürekli yapılan araştırma ve geliştirmelerden dolayı, burada belirtilen özellikler önceden bildirilmeksizin değiştirilebilir.
- Özellikler ve batarya kartuşu ülkeden ülkeye değişebilir.
- Ağırlık, ekli aksesuar/aksesuarlara ve batarya kartuşuna bağlı olarak farklılık gösterebilir. EPTA-Prosedürü 01/2014'e göre en hafif ve en ağır kombinasyonlar tabloda verilmiştir.

### Kullanım amacı

Bu alet tahta, metal ve plastik malzemede delik açmak için tasarlanmıştır.

### Gürültü

Tipik A-ağırlıklı gürültü düzeyi (EN60745 standardına göre belirlenen):

#### Model DA332D

Ses basınç seviyesi ( $L_{pA}$ ): 70 dB (A) veya daha az  
Belirsizlik (K): 3 dB (A)

#### Model DA333D

Ses basınç seviyesi ( $L_{pA}$ ): 70 dB (A) veya daha az  
Belirsizlik (K): 3 dB (A)

İşlem sırasında gürültü seviyesi 80 dB (A)'yi geçebilir.

**UYARI:** Kulak koruyucuları takın.

### Titreşim

Titreşim toplam değeri (üç eksenli vektör toplamı) (EN60745 standardına göre hesaplanan):

#### Model DA332D

Çalışma modu: metal delme  
Titreşim emisyonu ( $a_{hD}$ ): 2,5 m/s<sup>2</sup> den az  
Belirsizlik (K) : 1,5 m/s<sup>2</sup>

#### Model DA333D

Çalışma modu: metal delme  
Titreşim emisyonu ( $a_{hD}$ ): 3,0 m/s<sup>2</sup>  
Belirsizlik (K) : 1,5 m/s<sup>2</sup>

**NOT:** Beyan edilen titreşim emisyon değeri standart test yöntemine uygun şekilde ölçülmüştür ve bir aleti bir başkasıyla karşılaştırmak için kullanılabilir.

**NOT:** Beyan edilen titreşim emisyon değeri bir ön maruz kalma değerlendirmesi olarak da kullanılabilir.

**UYARI:** Bu elektrikli aletin gerçek kullanım sırasındaki titreşim emisyonu aletin kullanım biçimlerine bağlı olarak beyan edilen emisyon değerinden farklı olabilir.

**UYARI:** Gerçek kullanım koşullarındaki maruz kalmanın bir tahmini hesaplaması temelinde operatörü koruyacak güvenlik önlemlerini mutlaka belirleyin (çalışma döngüsü içerisinde aletin kapalı olduğu ve aktif durumda olmasının yanı sıra boşta çalıştığı zamanlar gibi, bütün zaman dilimleri göz önünde bulundurularak değerlendirilmelidir).

### EC Uygunluk Beyanı

#### Sadece Avrupa ülkeleri için

EC uygunluk beyanı bu kullanım kılavuzuna Ek A olarak eklenmiştir.

## GÜVENLİK UYARILARI

### Genel elektrikli alet güvenliği uyarıları

**UYARI:** Bu elektrikli aletle birlikte sunulan tüm güvenlik uyarılarını, talimatları, çizimleri ve teknik özellikleri okuyun. Aşağıda verilen talimatlara uyulmaması elektrik şoku, yangın ve/veya ciddi yaralanmalar ile sonuçlanabilir.

### Tüm uyarıları ve talimatları iletide başvurmak için saklayın.

Uyarılardaki "elektrikli alet" terimi ile ya prizden çalışan (kordonlu) elektrikli aletiniz ya da kendi aküsü ile çalışan (kordonsuz) elektrikli aletiniz kastedilmektedir.

## Akülü matkap ile ilgili güvenlik uyarıları

1. Aletle birlikte sağlanmışsa yardımcı tutamağı/tutamakları kullanın. Kontrol kaybı yaralanmaya neden olabilir.
2. Kesici aksesuarın görünmeyen kablolarla temas etme olasılığı bulunan yerlerde çalışırken elektrikli aleti yalıtımlı kavrama yüzeylerinden tutun. Kesici aksesuarın "akımlı" bir telle temas etmesi elektrikli aletin yalıtımsız metal kısımlarını "akımlı" hale getirebilir ve kullanıcıyı elektrik şokuna maruz bırakabilir.
3. Her zaman yere sağlam basın. Aleti yüksekte kullandığınızda, altında kimsenin olmadığını emin olun.
4. Aleti sıkıca tutun.
5. Ellerinizi dönen parçalardan uzak tutun.
6. Aleti çalışır durumda bırakmayın. Aleti sadece elinizde iken çalıştırın.
7. Kullanılan ucu veya iş parçasını işlemden hemen sonra ellermeyin; bunlar çok sıcak olup derinizi yakabilir.
8. Bazı malzemeler zehirli olabilen kimyasallar içerirler. Toz yutmayı ve cilt temasını önlemek için tedbir alın. Malzeme sağlayıcısının güvenlik bilgilerine uyun.
9. Matkap ucu, ağızları açmanıza rağmen gevşetilemezse ucu çekerek çıkarmak için pense kullanın. Bu durumda matkap ucunun elle çekilerek çıkarılması keskin ucu nedeniyle yaralanmaya neden olabilir.

## BU TALİMATLARI SAKLAYIN.

**⚠UYARI:** Ürünü kullanırken (defalarca kullanınca kazanılan) rahatlık ve tanıdıklık duygusunun ilgili ürünün güvenlik kurallarına sıkı sıkıya bağlı kalmanızı yerine geçmesine İZİN VERMEYİN. YANLIŞ KULLANIM veya bu kullanma kılavuzunda belirtilen emniyet kurallarına uymama ciddi yaralanmaya neden olabilir.

## Batarya kartuşu hakkında önemli güvenlik talimatları

1. Batarya kartuşunu kullanmadan önce, tüm talimatları ve (1) batarya kartuşu, (2) batarya ve (3) ürün üzerindeki tüm uyarı işaretlerini okuyun.
2. Batarya kartuşunu demonte etmeyin.
3. Çalışma süresi aşırı derecede kısalmışsa kullanmayı derhal bırakın. Aşırı ısınma, yanma riski hatta patlamaya neden olabilir.
4. Gözünüze elektrolit kaçarsa, gözlerinizi temiz suyla durulayın ve hemen tıbbi yardım alın. Görme kaybına yol açabilir.
5. Batarya kartuşuna kısa devre yaptırmayın:
  - (1) Terminallere herhangi bir iletken madde deđdirmeyin.
  - (2) Batarya kartuşunu çiviler, madeni paralar, vb. gibi başka metal nesnelere aynı kaba koymaktan kaçının.
  - (3) Batarya kartuşunu yağmura ya da suya maruz bırakmayın.

Kısa devre, büyük bir akım akışına, aşırı ısınmaya, olası yangınlara hatta bataryanın bozulmasına yol açabilir.

6. Aleti ve batarya kartuşunu sıcaklığın 50°C ya da daha yükseğe ulaştığı yerlerde saklamayın.
7. Aşırı derecede hasar görmüş ya da tamamen kullanılamaz durumda olsa bile batarya kartuşunu yakmayın. Batarya kartuşu ateşe atılırsa patlayabilir.
8. Bataryayı düşürmemeye ve çarpmamaya dikkat edin.
9. Hasarlı bataryayı kullanmayın.
10. Aletin içerdığı lityum-iyon bataryalar Tehlikeli Eşyalar Yönetmeliğinin gereksinimlerine tabidir.

Ticari nakliye işlemleri için, örneğin üçüncü taraflar, nakliye acenteleri tarafından yapılan nakliyelerde, paketleme ve etiketleme gereksinimlerine uyulmalıdır.

Nakliyesi yapılacak ürünün hazırlanması için, tehlikeli maddeler konusunda uzman bir kişiye danışın. Lütfen muhtemelen daha ayrıntılı olan ulusal yönetmeliklere de uyun.

Açık kontakları bantlayın ya da maskeleyin ve bataryayı paketin içinde hareket etmeyecek şekilde paketleyin.
11. Bataryanın elden çıkarılması ile ilgili yerel düzenlemelere uyunuz.

## BU TALİMATLARI MUHAFAZA EDİNİZ.

**⚠DİKKAT:** Sadece orijinal Makita bataryalarını kullanın. Orijinal olmayan Makita bataryaları ya da üzerine deđişiklik yapılmış bataryaların kullanımı bataryanın patlamasına ve sonuç olarak yangın, kişisel yaralanma ve hasara neden olabilir. Ayrıca Makita aleti ve şarj aletinin Makita tarafından sunulan garantisi de geçersiz olur.

## Maksimum batarya ömrü için ipuçları

1. Batarya kartuşunu tamamen boşalmadan önce şarj edin. Aletin gücünün zayıflamaya başladığını fark ettiğinizde aleti durdurun ve batarya kartuşunu şarj edin.
2. Tam dolu bir batarya kartuşunu asla yeniden şarj etmeyin. Aşırı şarj etme bataryanın hizmet ömrünü kısaltır.
3. Batarya kartuşunu 10°C - 40°C oda sıcaklığında şarj edin. Sıcak bir batarya kartuşunu şarj etmeden önce soğumasını bekleyin.

## İŞLEVSEL NİTELİKLER

**⚠️ DİKKAT:** Alet üzerinde ayarlama veya işleyiş kontrolü yapmadan önce aletin kapalı ve batarya kartuşunun ayrılmış olduğundan daima emin olun.

### Batarya kartuşunun takılması ve çıkarılması

**⚠️ DİKKAT:** Batarya kartuşunu takmadan ya da çıkarmadan önce aleti daima kapatın.

**⚠️ DİKKAT:** Batarya kartuşunu takarken veya çıkarırken aleti ve batarya kartuşunu sıkıca tutun. Aletin ve batarya kartuşunun sıkıca tutulmaması bunların düşürülmesine sebep olabilir ve alet ve batarya kartuşunun zarar görmesine ya da ciddi yaralanmasına yol açabilir.

► **Şek.1:** 1. Kırmızı gösterge 2. Düğme 3. Batarya kartuşu

Batarya kartuşunu çıkarmak için, kartuşun ön tarafındaki düğmeyi kaydırarak kartuşu alettten çıkarın.

Batarya kartuşunu takmak için, batarya kartuşu üzerindeki dili yuvanın çentiği ile hizalayın ve yerine oturtun. Hafif bir tık sesi duyulana kadar itip yerine tam oturmasını sağlayın. Düğmenin üst tarafındaki kırmızı gösterge görünüyorsa tam yerine kilitlenmiş demektir.

**⚠️ DİKKAT:** Batarya kartuşunu daima kırmızı gösterge görünmeyecek şekilde tam olarak takın. Yerine tam oturmazsa, alettten yanlışlıkla düşebilir, sizin ya da çevrenizdeki kişilerin yaralanmasına neden olabilir.









**⚠️ DİKKAT:** Batarya kartuşunu zorlayarak takmayın. Kartuş kolay bir şekilde kaymıyorsa doğru yerleştirilmemiş demektir.

### Kalan batarya kapasitesinin gösterilmesi

**Sadece göstergeli batarya kartuşları için**

► **Şek.2:** 1. Gösterge lambaları 2. Kontrol düğmesi

Kalan batarya kapasitesini göstermesi için batarya kartuşu üzerindeki kontrol düğmesine basın. Gösterge lambaları birkaç saniye yanar.

Gösterge lambaları		Kalan kapasite
Yanıyor	Kapalı	
		%75 ila %100
		%50 ila %75
		%25 ila %50
		%0 ila %25

**NOT:** Kullanım koşullarına ve ortam sıcaklığına bağlı olarak, gösterilen değer gerçek kapasiteden biraz farklılık gösterebilir.

## Batarya koruma sistemi

Bu alet bir batarya koruma sistemi ile donatılmıştır. Bu sistem motora giden gücü otomatik olarak keserek uzun batarya ömrü sağlar.

Alet ve/veya batarya için aşağıdaki durumlardan biri söz konusu olduğunda aletin işleyişi otomatik olarak durur:

### Aşırı yüklenme:

Alet, anormal derecede yüksek akım çekmesine neden olacak şekilde kullanılmaktadır.

Bu durumda, aleti kapatın ve aletin aşırı yüklenmesine neden olan uygulamayı durdurun. Daha sonra aleti yeniden başlatması için çalıştırın.

Alet çalışmaya başlamazsa, batarya aşırı ısınmış demektir. Bu durumda, aleti yeniden çalıştırmadan önce bataryanın soğumasını bekleyin.

### Düşük batarya voltajı:

Kalan batarya kapasitesi çok düşüktür ve alet çalışmaz. Aleti çalıştırırsanız, motor çalışmaz ya da motor tekrar çalışır fakat kısa zaman sonra durur. Bu durum söz konusuysa, bataryayı çıkarıp şarj edin.

## Anahtar işlemi

**⚠️ DİKKAT:** Batarya kartuşunu alete takmadan önce anahtar kolunun doğru çalıştığından ve bırakıldığında "OFF" (kapalı) konumuna döndüğünden emin olun.

**⚠️ DİKKAT:** Aleti kapatmadan önce aleti sıkıca tuttuğunuzdan emin olun.

► **Şek.3:** 1. Anahtar kolu

Aleti çalıştırmak için, sadece anahtar kolunu çekin. Aletin çalışma hızı anahtar kolunun üstüne daha fazla baskı yapılarak artırılır. Durdurmak için anahtar kolunu serbest bırakın.

## Ön lambanın yakılması

**⚠️ DİKKAT:** Işığa bakmayın ya da ışık kaynağını doğrudan görmeyin.

**Model DA332D için**

► **Şek.4:** 1. Lamba

**Model DA333D için**

► **Şek.5:** 1. Lamba

Lambayı yakmak için anahtar kolunu çekin. Anahtar kolunu çekerken lamba yanmaya devam eder. Anahtar kolu bırakıldıktan yaklaşık 10 saniye sonra lamba otomatik olarak söner.

**NOT:** Lamba lensini temizlemek için kuru bir bez kullanın. Aydınlatmayı azaltacağı için lamba lensinin çizilmemesine dikkat edin.

## Ters dönüş mandalı işlemi

► **Şek.6:** 1. Ters dönüş mandalı anahtarı

**⚠DİKKAT:** Kullanmadan önce dönüş yönünü daima kontrol edin.

**⚠DİKKAT:** Ters döndürme anahtarını sadece alet tamamen durduktan sonra kullanın. Dönüş yönünün alet durmadan önce değiştirilmesi alete zarar verebilir.

**⚠DİKKAT:** Aleti kullanmadığınız zaman, ters döndürme anahtarını daima nötr konumuna ayarlayın.

Bu aletin dönüş yönünü değiştirmek için bir ters döndürme anahtarı vardır. Ters döndürme anahtarına saat yönünde dönüş için A tarafından tersi yönde dönüş içinse B tarafından bastırın. Ters dönüş mandalı nötr konumundayken anahtar kolu çekilemez.

## MONTAJ

**⚠DİKKAT:** Alet üzerinde herhangi bir iş yapmadan önce aletin kapalı ve batarya kartuşunun ayrılmış olduğundan daima emin olun.

## Matkap ucunun takılması veya çıkarılması

*İsteğe bağlı aksesuar*

**Model DA332D için**

► **Şek.7:** 1. Mandren anahtarı

Takmak için matkap ucunu mandrenin içine sonuna kadar sokun. Mandreni elle sıkın. Mandren anahtarını üç deliğine her birine yerleştirerek saat yönünde sıkın. Tüm üç mandren deliğini eşit olarak sıkıtığınızdan emin olun.

Matkap ucunu çıkarmak için mandren anahtarını sadece tek bir delikten saatin aksi yönünde çevirin, daha sonra mandreni elle gevşetin. Kullandıktan sonra mandren anahtarını aletin üzerindeki saklama boşluğuna geri koyun.

**Model DA333D için**

► **Şek.8:** 1. Kovan

Aleti sıkıca tutun ve mandren ağızlarını açmak için, kovani saatin aksi yönünde çevirin. Matkap ucunu mandrenin içine sonuna kadar sokun. Aleti sıkıca tutun ve mandreni sıkıca sıkın kovani saat yönünde çevirin. Matkap ucunu çıkarmak için, aleti sıkıca tutun ve kovani saatin aksi yönünde çevirin.

## Kancanın takılması

► **Şek.9:** 1. Oluk 2. Kanca 3. Vida

Kanca aletin geçici bir süre asılmasına yarar. Bu kanca aletin her iki yanına da takılabilir. Kancayı takmak için, onu alet gövdesinin her iki yanındaki oluklardan birine geçirin ve sonra bir vida ile sabitleyin. Çıkarmak için, vidayı gevşetin ve sonra dışarı çekip alın.

## Mandren anahtarı yuvası

**Sadece DA332D modeli için (isteğe bağlı aksesuar)**

► **Şek.10:** 1. Mandren anahtarı yuvası 2. Vida

Takmak için mandren anahtarı yuvasını aletin gövdesinin her iki tarafında bulunan bombeli kısma yerleştirin ve daha sonra bir vida ile sabitleyin. Çıkarmak için vidayı gevşetin ve çekip çıkarın.

## KULLANIM

**⚠DİKKAT:** Batarya kartuşunu daima yerine tam kilitlene kadar itin. Düğmenin üst tarafındaki kırmızı göstergelyi görüyorsanız, kartuş tam kilitlenmemiş demektir. Kırmızı gösterge görünmeyecek şekilde tam olarak oturtun. Aksi takdirde, aletten yanlışlıkla düşebilir, sizin ya da çevrenizdeki kişilerin yaralanmasına neden olabilir.

**⚠DİKKAT:** Hız aşırı derecede yavaşlarsa, alete zarar vermeme için yükü azaltın veya aleti durdurun.

**⚠DİKKAT:** Aleti kullanırken elinizi aletin kavrama kısmına koyarak aleti sıkıca tutun.

**Model DA332D için**

► **Şek.11**

**Model DA333D için**

► **Şek.12**

## Delme işlemi

### Tahta delerken

Tahta delerken, kılavuz vidalı tahta uçlarıyla en iyi sonuçlar elde edilir. Kılavuz vida, matkap ucunu iş parçasına çekmek suretiyle delme işlemini kolaylaştırır.

### Metal delerken

Delik delmeye başlarken, matkap ucunun kaymasını engellemek için zımba ve çekiç yardımı ile delik açılacak noktaya çentik açın. Çentik üstüne matkap ucunu yerleştirip delmeye başlayın. Metal delerken kesme soğutucusu sıvıyı kullanın. Ancak demir ve çelik istisna olup kuru olarak delinmelidir.

**⚠DİKKAT:** Alete aşırı baskı yapıldığında delme işlemi hızlanmayacaktır. Aşırı baskı matkap ucunun yıpranmasına, alet performansının düşmesine ve aletin kullanım ömrünün kısalmasına yol açacaktır.

**⚠DİKKAT:** Matkap ucu, iş parçasını delip çıkmaya başladığında aleti sıkı tutun ve dikkat sarf edin. Deliğin açılması sırasında alet/matkap ucu üzerine çok büyük güç uygulanır.

**⚠DİKKAT:** Sıkışan bir matkap ucu, aleti ters yöne döndürerek kolayca çıkartılabilir. Fakat bu durumda aleti sıkıca tutmak gerekir, aksi halde alet darbe ile aniden elden çıkabilir.

**⚠DİKKAT:** İş parçalarını daima bir mengene ya da benzer sıkıştırma aygıtlarıyla sabitleyin.

**⚠DİKKAT:** Alet, batarya kartuşu bitene kadar sürekli olarak kullanılmışsa, yeni bir batarya takıp devam etmeden önce 15 dakika dinlenin.

## BAKIM

**⚠ DİKKAT:** Muayene ya da bakım yapmadan önce aletin kapalı ve batarya kartuşunun çıkartılmış olduğundan daima emin olun.

**ÖNEMLİ NOT:** Benzin, tiner, alkol ve benzeri maddeleri kesinlikle kullanmayın. Renk değişimi, deformasyon veya çatlaklar oluşabilir.

Aleti EMNİYETLİ ve ÇALIŞMAYA HAZIR durumda tutmak için onarımlar, başka her türlü bakım ve ayarlamalar daima Makita yedek parçaları kullanılarak Makita yetkili servis merkezleri veya Fabrikanın Servis Merkezleri tarafından yapılmalıdır.

## İSTEĞE BAĞLI AKSESUARLAR

**⚠ DİKKAT:** Bu aksesuarlar ve ek parçalar bu el kitabında belirtilen Makita aletiniz ile kullanılmak için tavsiye edilmektedir. Herhangi başka bir aksesuar ya da ek parça kullanılması insanlar için bir yaralanma riski getirebilir. Aksesuarları ya da ek parçaları yalnızca belirtilmiş olan kullanım amaçlarına uygun olarak kullanın.

Bu aksesuarlarla ilgili daha fazla bilgiye ihtiyaç duyar-sanız bulunduğunuz yerdeki yetkili Makita servisine başvurun.

- Matkap uçları
- Mandren anahtarı
- Mandren anahtarı yuvası
- Kanca
- Plastik taşıma çantası
- Orijinal Makita batarya ve şarj aleti

**NOT:** Listedeki parçaların bazıları alet paketi içerisinde standart aksesuar olarak dahil edilmiş olabilir. Bunlar ülkeden ülkeye farklılık gösterebilir.





**Makita Europe N.V.** Jan-Baptist Vinkstraat 2,  
3070 Kortenberg, Belgium

**Makita Corporation** 3-11-8, Sumiyoshi-cho,  
Anjo, Aichi 446-8502 Japan

[www.makita.com](http://www.makita.com)

885606-990 EN, FR, DE, IT, NL, ES, PT, DA, EL, TR 20170508
---



## ENGLISH

### Annex A: EC Declaration of Conformity

We as the manufacturers: **Makita Europe N.V.**, Business address: **Jan-Baptist Vinkstraat 2, 3070 Kortenberg, BELGIUM**. Authorize **Yasushi Fukaya** for the compilation of the technical file and declare under our sole responsibility that the product(s); Designation: **Cordless Angle Drill**. Designation of Type(s): **DA332D, DA333D**. Fulfills all the relevant provisions of **2006/42/EC** and also fulfills all the relevant provisions of the following EC/EU Directives: **2014/30/EU, 2011/65/EU** and are manufactured in accordance with the following Harmonised Standards: **EN 60745-1:2009+A11:2010, EN 60745-2-1:2010, EN 55014-1:2006+A1:2009+A2:2011, EN 55014-2:2015** and internal document: **QSDA001-QC Makita RoHS Management Procedure**.

Place of declaration: **Kortenberg, Belgium**. Responsible person: **Yasushi Fukaya, Director - Makita Europe N.V.** (Designation of type, serial number (S/N), date and signature on the last page)

## FRANÇAIS

### Annexe A : Déclaration de conformité CE

Nous, **Makita Europe N.V.**, en tant que fabricant, ayant pour adresse commerciale : **Jan-Baptist Vinkstraat 2, 3070 Kortenberg, Belgique**, autorisons **Yasushi Fukaya** à compiler le fichier technique et déclarons sous notre entière responsabilité que le produit ; désignation : **Perceuse d'Angle sans Fil**, désignation du (des) type(s) : **DA332D, DA333D**. Respecte(nt) toutes les dispositions pertinentes de la directive **2006/42/EC** ainsi que celles des directives CE/UE suivantes : **2014/30/EU, 2011/65/EU**, et est (sont) fabriqué(s) conformément aux normes harmonisées suivantes : **EN 60745-1:2009+A11:2010, EN 60745-2-1:2010, EN 55014-1:2006+A1:2009+A2:2011, EN 55014-2:2015**, ainsi qu'au document interne : **Procédure de gestion RoHS Makita QSDA001-QC**.

Lieu de la déclaration : **Kortenberg, Belgique**. Responsable : **Yasushi Fukaya, Directeur - Makita Europe N.V.** (Désignation du type, numéro de série (S/N), date et signature sur la dernière page)

## DEUTSCH

### Anhang A: EG-Konformitätserklärung

Wir als die Hersteller: **Makita Europe N.V.**, Geschäftsadresse: **Jan-Baptist Vinkstraat 2, 3070 Kortenberg, Belgien**. beauftragen **Yasushi Fukaya** mit der Zusammenstellung der technischen Dokumentation und erklären unter unserer alleinigen Verantwortung, dass das (die) Produkt(e); Bezeichnung: **Akku-Winkelbohrmaschine**. Bezeichnung des (der) Typs (Typen): **DA332D, DA333D**. Erfüllt alle relevanten Vorschriften von **2006/42/EC** sowie alle relevanten Vorschriften der folgenden EG/EU-Richtlinien: **2014/30/EU, 2011/65/EU** und werden gemäß den folgenden harmonisierten Normen gefertigt: **EN 60745-1:2009+A11:2010, EN 60745-2-1:2010, EN 55014-1:2006+A1:2009+A2:2011, EN 55014-2:2015** und internes Dokument: **QSDA001-QC Makita RoHS-Managementverfahren**.

Ort der Erklärung: **Kortenberg, Belgien**. Verantwortliche Person: **Yasushi Fukaya, Direktor - Makita Europe N.V.** (Typenbezeichnung, Seriennummer (S/N), Datum und Unterschrift auf der letzten Seite)

## ITALIANO

### Allegato A: Dichiarazione di conformità CE

In qualità di fabbricante, **Makita Europe N.V.**, con indirizzo aziendale **Jan-Baptist Vinkstraat 2, 3070 Kortenberg, Belgio**, autorizza **Yasushi Fukaya** alla compilazione della documentazione tecnica e dichiara, sotto la propria ed esclusiva responsabilità, che il prodotto o i prodotti con designazione **Trapano angolare a batteria**, e con designazione del tipo o dei tipi: **DA332D, DA333D**, è conforme a tutte le disposizioni rilevanti della normativa **2006/42/EC**, e che è, inoltre, conforme a tutte le disposizioni rilevanti delle Direttive CE/UE seguenti, **2014/30/EU, 2011/65/EU**, ed è fabbricato in conformità agli Standard Armonizzati seguenti, **EN 60745-1:2009+A11:2010, EN 60745-2-1:2010, EN 55014-1:2006+A1:2009+A2:2011, EN 55014-2:2015** e al documento interno: **Procedura di gestione RoHS Makita QSDA001-QC**.

Sede della dichiarazione: **Kortenberg, Belgio**. Persona responsabile: **Yasushi Fukaya, Direttore - Makita Europe N.V.** (Designazione del tipo, numero di serie (S/N), data e firma sull'ultima pagina)

## NEDERLANDS

### Aanhangsel A: EG-verklaring van conformiteit

Wij als de fabrikant: **Makita Europe N.V.**, vestigingsadres: **Jan-Baptist Vinkstraat 2, 3070 Kortenberg, België**, volmachtigen **Yasushi Fukaya** tot samenstelling van het technisch dossier en verklaren als enige verantwoordelijke dat het product(en), omschrijving: **Haakse accuboormachine**; typenummer(s): **DA332D, DA333D**; voldoet aan alle relevante voorschriften van richtlijn **2006/42/EC** en voldoet tevens aan de relevante voorschriften van de volgende EG/EU-richtlijnen: **2014/30/EU, 2011/65/EU** en is vervaardigd in overeenstemming met de volgende geharmoniseerde normen: **EN 60745-1:2009+A11:2010, EN 60745-2-1:2010, EN 55014-1:2006+A1:2009+A2:2011, EN 55014-2:2015** en intern document: **QSDA001-QC Makita RoHS-beheersprocedure**.

Plaats van verklaring: **Kortenberg, België**. Verantwoordelijke persoon: **Yasushi Fukaya, Directeur - Makita Europe N.V.** (Aanduiding van het type, serienummer (S/N), datum en handtekening op de laatste pagina).

## ESPAÑOL

### Anexo A: Declaración CE de conformidad

Nosotros como los fabricantes: **Makita Europe N.V.**, Dirección comercial: **Jan-Baptist Vinkstraat 2, 3070 Kortenberg, Bélgica**. Autorizamos a **Yasushi Fukaya** para la compilación del archivo técnico y declaramos ante nuestra sola responsabilidad que el(los) producto(s); Designación: **Taladro Angular Inalámbrico**. Designación de tipo(s): **DA332D, DA333D**. Cumple todas las provisiones pertinentes de **2006/42/EC** y también cumple con todas las provisiones pertinentes de las Directivas CE/UE siguientes: **2014/30/EU, 2011/65/EU** y está fabricado de acuerdo con los estándares unificados siguientes: **EN 60745-1:2009+A11:2010, EN 60745-2-1:2010, EN 55014-1:2006+A1:2009+A2:2011, EN 55014-2:2015** y documento interno: **QSDA001-QC Procedimiento de gestión Makita RoHS**.

Lugar de la declaración: **Kortenberg, Bélgica**. Persona responsable: **Yasushi Fukaya, Director - Makita Europe N.V.** (Designación de tipo, número de serie (S/N), fecha y firma en la última página)

## PORTUGUÊS

### Anexo A: Declaração de conformidade da CE

A empresa, na qualidade de fabricante: **Makita Europe N.V.**, Endereço comercial: **Jan-Baptist Vinkstraat 2, 3070 Kortenberg, Bélgica**. Autorizamos **Yasushi Fukaya** a realizar a compilação do ficheiro técnico e declaramos, ao abrigo da nossa própria responsabilidade, que o(s) produto(s); Designação: **Furadeira Angular a Bateria**. Designação de tipo(s): **DA332D, DA333D**. Cumpre todas as indicações relevantes da **2006/42/EC**, cumprindo ainda todas as indicações relevantes das seguintes Diretivas CE/UE: **2014/30/EU, 2011/65/EU** e são fabricados de acordo com as seguintes Normas Harmonizadas: **EN 60745-1:2009+A11:2010, EN 60745-2-1:2010, EN 55014-1:2006+A1:2009+A2:2011, EN 55014-2:2015** e documento interno: **QSDA001-QC Procedimento de Gestão RoHS Makita**.

Local da declaração: **Kortenberg, Bélgica**. Pessoa responsável: **Yasushi Fukaya, Diretor – Makita Europe N.V.** Designação do tipo, número de série (S/N), data e assinatura na última página)

## DANSK

### Tillæg A: EF konformitetserklæring

Vi som producent: **Makita Europe N.V.**, Forretningsadresse: **Jan-Baptist Vinkstraat 2, 3070 Kortenberg, Belgien**, autoriserer **Yasushi Fukaya** til kompilationen af den tekniske fil og erklærer, under vores eneansvar, at produktet (produkterne), Betegnelse: **Akku vinkelboremaskine**. Betegnelse for type (typer): **DA332D, DA333D**, opfylder alle de relevante betingelser for **2006/42/EC** og opfylder desuden alle de relevante betingelser i følgende EF/EU-direktiver: **2014/30/EU, 2011/65/EU** og er fremstillet i overensstemmelse med de følgende harmoniserede standarder: **EN 60745-1:2009+A11:2010, EN 60745-2-1:2010, EN 55014-1:2006+A1:2009+A2:2011, EN 55014-2:2015** og det interne dokument: **QSDA001-QC Makita RoHS-administrationsprocedure**.

Sted for erklæring: **Kortenberg, Belgien**. Ansvarlig person: **Yasushi Fukaya, Direktør – Makita Europe N.V.** (Typebetegnelse, serienummer (S/N), dato og underskrift på sidste side)

## ΕΛΛΗΝΙΚΑ

### Παράρτημα Α: Δήλωση Συμμόρφωσης ΕΚ

Εμείς ως οι κατασκευαστές: **Makita Europe N.V.**, Διεύθυνση επιχείρησης: **Jan-Baptist Vinkstraat 2, 3070 Kortenberg, Βέλγιο**. Εξουσιοδοτούμε τον **Yasushi Fukaya** για τη σύνταξη του τεχνικού αρχείου και δηλώνουμε, υπό την αποκλειστική ευθύνη μας, ότι το(α) προϊόν(τα), Χαρακτηρισμός: **Φορητό γωνιακό τρυπάνι**. Χαρακτηρισμός τύπου(ων): **DA332D, DA333D**. Ικανοποιεί όλες τις σχετικές διατάξεις της Οδηγίας **2006/42/EC** και επίσης ικανοποιεί όλες τις σχετικές διατάξεις των ακόλουθων Οδηγιών ΕΚ/ΕΕ: **2014/30/EU, 2011/65/EU** και κατασκευάζεται σύμφωνα με τα ακόλουθα εναρμονισμένα πρότυπα: **EN 60745-1:2009+A11:2010, EN 60745-2-1:2010, EN 55014-1:2006+A1:2009+A2:2011, EN 55014-2:2015** και το εσωτερικό έγγραφο: **QSDA001-QC Διαδικασία Διαχείρισης RoHS της Makita**.

Τόπος της δήλωσης: **Kortenberg, Βέλγιο**. Υπεύθυνος: **Yasushi Fukaya, Διευθυντής – Makita Europe N.V.** (Προσδιορισμός τύπου, σειριακός αριθμός (S/N), ημερομηνία και υπογραφή στην τελευταία σελίδα)

## TÜRKÇE

### Ek A: AT Uygunluk Beyanı

Üretici olarak biz, iş adresi **Jan-Baptist Vinkstraat 2, 3070 Kortenberg, Belçika** olan **Makita Europe N.V.**; **Yasushi Fukaya**'yı teknik dosyanın hazırlanması için yetkilendiriyor ve tek sorumlu olarak Ürün Adı: **Akülü Açılı Matkap Model adı: DA332D, DA333D** olan ürünün/ürünlerin **2006/42/EC**'nin ilgili tüm hükümlerinin gerekliliklerini yerine getirdiğini, ayrıca **2014/30/EU, 2011/65/EU AT/AB** Direktiflerinin ilgili tüm hükümlerinin gerekliliklerini yerine getirdiğini ve **EN 60745-1:2009+A11:2010, EN 60745-2-1:2010, EN 55014-1:2006+A1:2009+A2:2011, EN 55014-2:2015** Eşdeğer Standartlarına ve **QSDA001-QC Makita RoHS Yönetim Prosedürü** dahil belgesinin ilkelere uygun olarak üretildiğini beyan ediyoruz.

Beyan yeri: **Kortenberg, Belçika**. Sorumlu kişi: **Yasushi Fukaya, Müdür – Makita Europe N.V.** (Model adı, seri numarası (S/N), son sayfada tarih ve imza)

## SVENSKA

### Bilaga A: EG-försäkran om överensstämmelse

I egenskap av tillverkare: **Makita Europe N.V.**, med företagsadress **Jan-Baptist Vinkstraat 2, 3070 Kortenberg, Belgien**, auktoriserar vi **Yasushi Fukaya** för sammanställningen av den tekniska dokumentationen och försäkrar under ansvar att produkten (eller produkterna) – Beteckning: **Sladdlös vinkelbormaskin**. Typbeteckning: **DA332D, DA333D**. – uppfyller alla relevanta bestämmelser i **2006/42/EC** och även uppfyller alla relevanta bestämmelser i följande EG/EU-direktiv: **2014/30/EU, 2011/65/EU**, samt är tillverkad i enlighet med följande harmoniserade standarder: **EN 60745-1:2009+A11:2010, EN 60745-2-1:2010, EN 55014-1:2006+A1:2009+A2:2011, EN 55014-2:2015** och det interna dokumentet: **QSDA001-QC Makita RoHS-hanteringsförfarande**.

Plats för givande av försäkran: **Kortenberg, Belgien**. Ansvarig person: **Yasushi Fukaya, Direktör – Makita Europe N.V.** (Typbeteckning, serienummer (S/N), datum och underskrift på sista sidan)

## NORSK

### Tillegg A: EF-samsvarserklæring

Vi, som produsenter:

**Makita Europe N.V.**, Forretningsadresse: **Jan-Baptist Vinkstraat 2, 3070 Kortenberg, Belgia**

autoriserer **Yasushi Fukaya** til å kompilere den tekniske filen og erklærer under vårt eneansvar at produktet;

Betegnelse: **Batteridrevet vinkelboremaskin**

Modellbetegnelse: **DA332D, DA333D**. Oppfyller alle relevante bestemmelser i **2006/42/EC** og oppfyller også alle bestemmelser i følgende EF/EU-direktiver: **2014/30/EU, 2011/65/EU** og er fremstilt i samsvar med følgende harmoniserte standarder: **EN 60745-1:2009+A11:2010, EN 60745-2-1:2010, EN 55014-1:2006+A1:2009+A2:2011, EN 55014-2:2015** og internt dokument: **QSDA001-QC Makita RoHS styringsprosedyre**.

Sted for erklæring: **Kortenberg, Belgia**.

Ansvarlig: **Yasushi Fukaya, Direktør – Makita Europe N.V.** (Typebetegnelse, serienummer (S/N), dato og signatur på siste side)

## SUOMI

### Liite A: EY-vaatimustenmukaisuusvakuutus

Vastuullinen valmistaja: **Makita Europe N.V.**, yrityksen osoite: **Jan-Baptist Vinkstraat 2, 3070 Kortenberg, Belgia**, valtuuttaa **Yasushi Fukaya** kokoamaan tekniset asiakirjat ja vakuuttaa omalla vastuullaan, että tuote (tuotteet); Laitteen nimi: **Akkukulmaporakone**. Laitteen tyyppi (tyypit): **DA332D, DA333D**. Täyttää kaikki direktiivin **2006/42/EC** olennaiset vaatimukset sekä täyttää myös kaikki seuraavien EY/EU-direktiivien olennaiset vaatimukset: **2014/30/EU, 2011/65/EU** ja on valmistettu seuraavien yhdenmukaistettujen standardien: **EN 60745-1:2009+A11:2010, EN 60745-2-1:2010, EN 55014-1:2006+A1:2009+A2:2011, EN 55014-2:2015** sekä sisäisen asiakirjan: **QSDA001-QC Makita RoHS-hallintamenettely mukaisesti**.

Ilmoituksen antopaikka: **Kortenberg, Belgia**. Vastuuhenkilö: **Yasushi Fukaya, johtaja – Makita Europe N.V.** (Laitteen tyyppi, sarjanumero (S/N), päivämäärä ja allekirjoitus viimeisellä sivulla)

## LATVIEŠŪ

### A pielikums: EK atbilstības deklarācija

Ražotājs **Makita Europe N.V.**, juridiskā adrese: **Jan-Baptist Vinkstraat 2, 3070 Kortenberg, Beļģija**, pilnvaro savu pārstāvi **Yasushi Fukaya** sagatavot tehnisko dokumentāciju un ar mūsu vienpersonisko atbildību paziņot, ka izstrādājums(-), nosaukums: **Bezvada leņķa urbmašīna, veids(-): DA332D, DA333D**, atbilst visiem attiecīgajiem direktīvas **2006/42/EC** noteikumiem, kā arī atbilst visiem attiecīgajiem šādu EK/ES direktīvu noteikumiem: **2014/30/EU, 2011/65/EU**, un ir ražots(-) saskaņā ar šādiem harmonizētajiem standartiem: **EN 60745-1:2009+A11:2010, EN 60745-2-1:2010, EN 55014-1:2006+A1:2009+A2:2011, EN 55014-2:2015**, kā arī saskaņā ar iekšējo dokumentu: **QSDA001-QC Makita RoHS pārvaldības procedūra**.

Deklarācijas izdošanas vieta: **Kortenberg, Beļģija**. Atbildīgā persona: **Makita Europe N.V. direktors Yasushi Fukaya** (Veidu, sērijas numuru (S/N), datumu un parakstu skatiet pēdējā lapā)

## LIETUVIŲ KALBA

### A priedas: EB atitikties deklaracija

Mes, gamintojai **Makita Europe N.V.**, įmonės adresas: **Jan-Baptist Vinkstraat 2, 3070 Kortenberg, Belgija**, įgaliojame **Yasushi Fukaya** parengti techninę bylą ir savo išskirtine atsakomybe deklaruojame, kad gaminy (iai); žymuo: **Akumulatorinis kampinis grąžtas**; Tip (ų) žymuo: **DA332D, DA333D**. Atitinka visus aktualius **2006/42/EC** nuostatus ir taip pat toliau nurodytų EB/ES direktyvų nuostatus: **2014/30/EU, 2011/65/EU**; be to, pagaminta laikantis šių darnųjų standartų: **EN 60745-1:2009+A11:2010, EN 60745-2-1:2010, EN 55014-1:2006+A1:2009+A2:2011, EN 55014-2:2015** ir vidinio dokumento: **QSDA001-QC „Makita“ RoHS valdymo procedūra**.

Deklaravimo vieta: **Kortenberg, Belgija**. Atsakingasis asmuo: **Makita Europe N.V. direktorius Yasushi Fukaya** (Tip (ų) žymuo, serijos numeris (S/N), data ir parašas paskutiniame puslapyje)

## EESTI

### Lisa A: EÜ vastavusdeklaratsioon

Meie kui tootjad: **Makita Europe N.V.**, juriidiline aadress: **Jan-Baptist Vinkstraat 2, 3070 Kortenberg, Belgia**, volitame **Yasushi Fukaya** koostama tehnilisi toimikud ja kinnitame oma ainuvastutust, et toode/tooted; nimetus: **Juhtmeta nurkrell**; Tüübinimetus(ed): **DA332D, DA333D**; vastab direktiivi **2006/42/EC** kõigile asjaomastele sätetele ning EÜ/EL direktiivide **2014/30/EU, 2011/65/EU** kõigile asjaomastele sätetele ning on toodetud kooskõlas järgmistele ühtlustatud standardite: **EN 60745-1:2009+A11:2010, EN 60745-2-1:2010, EN 55014-1:2006+A1:2009+A2:2011, EN 55014-2:2015** ja sisedokumentiga **QSDA001-QC (Makita ohtlike ainete kasutamise piiramise menetluskord)**.

Deklareerimiskoht: **Kortenberg, Belgia**. Vastutav isik: **Yasushi Fukaya, direktor – Makita Europe N.V.** (Tüübitähise, seerianumbri (S/N), kuupäeva ja allkirja leiate viimastel leheküljelt.)

## POLSKI

### Aneks A: Deklaracja zgodności WE

My jako producent: **Makita Europe N.V.**, adres firmy: **Jan-Baptist Vinkstraat 2, 3070 Kortenberg, Belgia**. Upoważniamy pana **Yasushi Fukaya** do opracowania dokumentacji technicznej i wydania oświadczenia na naszą wyłączną odpowiedzialność, że produkt(y); Opis: **Akumulatorowa wiertarka kątowna**. Oznaczenie typu (typów): **DA332D, DA333D**. Spełniają wszelkie stosowne postanowienia dyrektywy **2006/42/EC** i dodatkowo spełniają wszelkie stosowne postanowienia poniższych dyrektyw WE/UE: **2014/30/EU, 2011/65/EU** i są produkowane zgodnie z następującymi normami zharmonizowanymi: **EN 60745-1:2009+A11:2010, EN 60745-2-1:2010, EN 55014-1:2006+A1:2009+A2:2011, EN 55014-2:2015** oraz wewnętrzny dokumentem: **Procedura zarządzania firmy Makita w ramach RoHS QSDA001-QC**.

Miejsce złożenia deklaracji: **Kortenberg, Belgia**. Osoba odpowiedzialna: **Yasushi Fukaya, Dyrektor Makita Europe N.V.** (Oznaczenie typu, numer seryjny (S/N), data i podpis na ostatniej stronie)

## MAGYAR

### A. függelék: EK megfeleléségi nyilatkozat

Felelős gyártóként, a **Makita Europe N.V.**, székhely címe: **Jan-Baptist Vinkstraat 2, 3070 Kortenberg, Belgium**, feljogosítjuk **Yasushi Fukaya**-t a műszaki dokumentáció összeállítására, és saját kizárólagos felelősségünkre kijelentjük, hogy a termék(ek); rendeltetés: **Akumulatoros sarokfűrő**; típusmegnevezése: **DA332D, DA333D**; megfelel a **2006/42/EC** irányelv minden vonatkozó rendelkezésének, továbbá megfelel az alábbi EK/UE irányelvek minden vonatkozó rendelkezésének: **2014/30/EU, 2011/65/EU**, és gyártása az alábbi harmonizált szabványoknak: **EN 60745-1:2009+A11:2010, EN 60745-2-1:2010, EN 55014-1:2006+A1:2009+A2:2011, EN 55014-2:2015** és a következő belső dokumentumnak megfelelően történt: **QSDA001-QC Makita Elektromos és elektronikus berendezések veszélyes anyagainak korlátozására (RoHS) vonatkozó kezelési eljárás**.

A nyilatkozattétel helye: **Kortenberg, Belgium**. Felelős személy: **Yasushi Fukaya, igazgató – Makita Europe N.V.** (Típusmegjelölés, sorozatszám (S/N), dátum és aláírás az utolsó lapon)

## SLOVENSKY

### Priloha A: Vyhlasenie o zhode v rámci ES

Naša spoločnosť, ako výrobca: **Makita Europe N.V.**, firemná adresa: **Jan-Baptist Vinkstraat 2, 3070 Kortenberg, Belgicko**. Týmto oprávňujeme **Yasushi Fukaya** na zostavenie technického súboru a vyhlasujeme na našu výhradnú zodpovednosť, že výrobok(ky); Označenie: **Akumulátorová uhlová vrtačka**. Označenie typu(ov): **DA332D, DA333D**. Splňa všetky príslušné ustanovenia **2006/42/EC** a taktiež spĺňa všetky príslušné ustanovenia nasledujúcich smerníc ES/EU: **2014/30/EU, 2011/65/EU**, pričom je vyrobená v súlade s nasledujúcimi harmonizovanými normami: **EN 60745-1:2009+A11:2010, EN 60745-2-1:2010, EN 55014-1:2006+A1:2009+A2:2011, EN 55014-2:2015** a interný dokument: **QSDA001-QC**

**Postup spoločnosti Makita pri riadení obmedzenia používania určitých nebezpečných látok v elektrických a elektronických zariadeniach (RoHS).**

Miesto vyhlásenia: **Kortenberg, Belgicko**. Zodpovedná osoba: **Yasushi Fukaya, riaditeľ – Makita Europe N.V.** (Označenie typu, výrobné číslo (S/N), dátum a podpis sú uvedené na poslednej strane)

## ČESKY

### Priloha A: ES prohlášení o shodě

My, jako výrobci: **Makita Europe N.V.**, Adresa firmy: **Jan-Baptist Vinkstraat 2, 3070 Kortenberg, Belgie**. Pověřujeme **Yasushi Fukaya** sestavením technické dokumentace a prohlášením na naši vlastní odpovědnost, že produkt(y); Označení: **Akumulátorový úhlový šroubovák**. Typové označení: **DA332D, DA333D**. Splňuje veškerá příslušná ustanovení směrnice **2006/42/EC** a také splňuje všechna související ustanovení následujících směrnic ES/EU: **2014/30/EU, 2011/65/EU** a je vyroben v souladu s následujícími harmonizovanými normami: **EN 60745-1:2009+A11:2010, EN 60745-2-1:2010, EN 55014-1:2006+A1:2009+A2:2011, EN 55014-2:2015** a interním dokumentem: **QSDA001-QC**

**Postup řízení Makita RoHS.**

Místo prohlášení: **Kortenberg, Belgie**. Odpovědná osoba: **Yasushi Fukaya, ředitel – Makita Europe N.V.** (Typové označení, sériové číslo (S/N), datum a podpis na poslední straně)

## SLOVENSKO

### Priloga A: ES-izjava o skladnosti

Mi, podjetje: **Makita Europe N.V.**, poslovni naslov: **Jan-Baptist Vinkstraat 2, 3070 Kortenberg, Belgija**. ko proizvajalec pooblašamo g. **Yasushi Fukaya** za sestavo tehnične datoteke in na lastno odgovornost izjavljamo, da je izdelek; oznaka: **Brezžični kotni vrtnalnik** Oznaka vrste(e): **DA332D, DA333D**. V skladu z vsemi zadevnimi določili **2006/42/EC** in ustreza zahtevam vseh bistvenih določil naslednjih Direktiv ES/EU: **2014/30/EU, 2011/65/EU** ter je izdelan v skladu z naslednjimi harmoniziranimi standardi: **EN 60745-1:2009+A11:2010, EN 60745-2-1:2010, EN 55014-1:2006+A1:2009+A2:2011, EN 55014-2:2015** in internim dokumentom: **QSDA001-QC** Postopek upravljanja podjetja **Makita** v skladu z direktivo o omejevanju nevarnih snovi (RoHS).

Kraj izjave: **Kortenberg, Belgija**. Odgovorna oseba: **Yasushi Fukaya, direktor – Makita Europe N.V.** (Oznaka tipa, serijska številka (S/N), datum in podpis na zadnji strani.)

## SHQIP

### Shtojca A: Deklarata e konformitetit e KE-së

Ne, si kompania prodhuese: **Makita Europe N.V.**, me adresë biznesi: **Jan-Baptist Vinkstraat 2, 3070 Kortenberg, Belgjikë**, autorizojmë **Yasushi Fukaya** për përpilimin e skedarit teknik dhe deklarojmë se është përgjegjësia jonë e vetme se produkti(et); Përkufizimi: **Trapan me kënd me bateri**. Përcaktimi i llojit(ëve): **DA332D, DA333D**, përmbush të gjitha dispozitat përkatëse të **2006/42/EC**, gjithashtu përmbush edhe të gjitha dispozitat përkatëse të direktivave të mëposhtme të KE-së/BE-së: **2014/30/EU, 2011/65/EU** dhe prodhohen në përputhje me standardet e harmonizuara në vijim: **EN 60745-1:2009+A11:2010, EN 60745-2-1:2010, EN 55014-1:2006+A1:2009+A2:2011, EN 55014-2:2015** dhe dokumentin e brendshëm: **Procedura për menaxhimin e kufizimit të substancave të rrezikshme (RoHS)** të veglave elektrike **Makita QSDA001-QC**.

Vendi i deklaratës: **Kortenberg, Belgjikë**. Personi përgjegjës: **Yasushi Fukaya, drejtor – Makita Europe N.V.** (Përcaktimi i llojit, numër serial (S/N), data dhe nënshkrimi në faqen e fundit)

## БЪЛГАРСКИ

### Анекс А: ЕО декларация за съответствие

В качеството си на производител ние: **Makita Europe N.V.**, с адрес на управление: **Jan-Baptist Vinkstraat 2, 3070 Kortenberg, Белгия**, упълномощаваме **Yasushi Fukaya** да състави техническото досие и да декларира от наше име, че продукта(ите): Наименование: **Акумулаторна ъглова бормашина**. Модел: **DA332D, DA333D**. Отговаря(т) на съответните разпоредби на **2006/42/EC** и освен това отговаря(т) на съответните разпоредби на следните ЕО/ЕС директиви: **2014/30/EU, 2011/65/EU** и се произвежда(т) в съответствие със следните хармонизирани стандарти: **EN 60745-1:2009+A11:2010, EN 60745-2-1:2010, EN 55014-1:2006+A1:2009+A2:2011, EN 55014-2:2015** и вътрешнофирмен документ **QSDA001-QC „Процедура на Makita за управление на ограничения на употребата на опасни вещества (RoHS)“**.

Място на издаване на декларацията: **Kortenberg, Белгия**. Оторизирано лице: **Yasushi Fukaya, Директор – Makita Europe N.V.** (Наименование на типа, сериен номер (S/N), дата и подпис на последната страница)

## HRVATSKI

### Prilog A: EZ Izjava o skladnosti

Mi kao proizvođači: **Makita Europe N.V.**, sa sjedištem u **Jan-Baptist Vinkstraat 2, 3070 Kortenberg, Belgija** ovlaštujemo **Yasushija Fukayu** za sastavljanje tehničke datoteke i izjavljujemo pod vlastitom isključivom odgovornošću da je proizvod(i); Oznaka: **Bežična kutna bušilica**. Oznaka vrste(a): **DA332D, DA333D**. Zadovoljava sve relevantne odredbe Direktive **2006/42/EC** i također zadovoljava sve relevantne odredbe sljedećih direktiva EZ-a/EU-a: **2014/30/EU, 2011/65/EU** i proizvodi se u skladu sa sljedećim usklađenim normama: **EN 60745-1:2009+A11:2010, EN 60745-2-1:2010, EN 55014-1:2006+A1:2009+A2:2011, EN 55014-2:2015** i unutarnjim dokumentom tvrtke: **QSDA001-QC** Postupak upravljanja tvrtke **Makita** u skladu s Direktivom o ograničenju uporabe određenih opasnih tvari u električnoj i elektroničkoj opremi (RoHS).

Mjesto davanja izjave: **Kortenberg, Belgija**. Odgovorna osoba: **Yasushi Fukaya, direktor – Makita Europe N.V.** (Oznaka tipa, serijski broj (S/N), datum i potpis na zadnjoj strani)

## МАКЕДОНСКИ

### Анекс А: Изјава за сообразност на ЕЗ

Ние, производителите: **Makita Europe N.V.**, со деловна адреса: **Jan-Baptist Vinkstraat 2, 3070 Kortenberg, Белгија**. Го овластуваме **Yasushi Fukaya** за составување на техничката датотека и изјавуваме под наша лична одговорност дека производитот(ите); Ознака: **Безжична аголна дупчалка**. Ознака на тип(-ови): **DA332D, DA333D**. Ги исполнува сите релевантни одредби на **2006/42/EC** и исто така ги исполнува сите релевантни одредби на следните директиви на ЕЗ/ЕУ: **2014/30/EU, 2011/65/EU** и се произведени во согласност со следниве усогласени стандарди: **EN 60745-1:2009+A11:2010, EN 60745-2-1:2010, EN 55014-1:2006+A1:2009+A2:2011, EN 55014-2:2015** и внатрешниот документ: **Управна постапка за ограничување на опасни супстанции (RoHS) на Makita QSDA001-QC**.

Место на давање на изјавата: **Kortenberg, Белгија**. Одговорно лице: **Yasushi Fukaya, Директор – Makita Europe N.V.** (Ознака на тип, сериски број (S/N), датум и потпис на последната страница)

## ROMÂNĂ

### Анекс А: Declarație de conformitate CE

Noi, **Makita Europe N.V.**, cu sediul social în: **Jan-Baptist Vinkstraat 2, 3070 Kortenberg, Belgia**, în calitate de producători, îi împuternicim pe **Yasushi Fukaya** pentru redactarea fișierului tehnic și declarăm pe proprie răspundere că produsul (produsele); Denumire: **Mașină de găurit unghiulară cu acumulator**. Denumirea modelului (modelelor): **DA332D, DA333D**. Respectă toate prevederile relevante ale directivei **2006/42/EC**; de asemenea, respectă toate prevederile relevante ale următoarelor directive CE/UE: **2014/30/EU, 2011/65/EU** și este fabricat în conformitate cu următoarele standarde armonizate: **EN 60745-1:2009+A11:2010, EN 60745-2-1:2010, EN 55014-1:2006+A1:2009+A2:2011, EN 55014-2:2015** și cu documentul intern: **Procedura de management RoHS (limitarea utilizării substanțelor periculoase) Makita QSDA001-QC**.

Locul declarației: **Kortenberg, Belgia**. Persoana responsabilă: **Yasushi Fukaya, Director – Makita Europe N.V.** (Denumirea modelului, număr de serie (S/N), data și semnătura pe ultima pagină)

## СРПСКИ

### Додатак А: ЕЗ декларација о усогласености

Ми као произвођач: **Makita Europe N.V.**, пословна адреса: **Jan-Baptist Vinkstraat 2, 3070 Kortenberg, Белгија**, овлашћујемо **Yasushi Fukaya** да састави техничку документацију и под нашом искључивом одговорношћу изјави да следећи производ: ознака: **Безжична угаона бушилица**, Ознака тип(ов): **DA332D, DA333D**. Исполува све одговарајуће одредбе директиве **2006/42/EC** и све релевантне одредбе следећих директива ЕЗ/ЕУ: **2014/30/EU, 2011/65/EU** и произведен је у складу са следећим хармонизованим стандардима: **EN 60745-1:2009+A11:2010, EN 60745-2-1:2010, EN 55014-1:2006+A1:2009+A2:2011, EN 55014-2:2015** и интерним документом: **QSDA001-QC Makita процедура за управљање ограничењем употребе одређених опасних супстанци (RoHS)**.

Место изјаве: **Kortenberg, Белгија**. Одговорна особа: **Yasushi Fukaya, директор – Makita Europe N.V.** (Ознака типа, сериски број (S/N), датум и потпис на последњој страници)

## РУССКИЙ

### Приложение А: Сертификат соответствия ЕС

Производители: **Makita Europe N.V.**, Рабочий адрес: **Jan-Baptist Vinkstraat 2, 3070 Kortenberg, Бельгия**. Уполномочиваем **Yasushi Fukaya** для составления файла технических данных и заявляем со всей нашей ответственностью, что изделие(я); Наименование: **Аккумуляторная угловая дрель**. Обозначение типа(ов): **DA332D, DA333D**. Удовлетворяет всем соответствующим положениям **2006/42/EC**, а также удовлетворяет всем соответствующим положениям следующих Директив ЕС/ЕС: **2014/30/EU, 2011/65/EU** и производится согласно следующим гармонизированным стандартам: **EN 60745-1:2009+A11:2010, EN 60745-2-1:2010, EN 55014-1:2006+A1:2009+A2:2011, EN 55014-2:2015** и внутреннему документу: **Процедура управления ограничениями на использование опасных материалов Makita QSDA001-QC**.

Место декларирования: **Kortenberg, Бельгия**. Ответственное лицо: **Yasushi Fukaya, Директор – Makita Europe N.V.** (Обозначение типа, серийный номер (S/N), дата и подпись на последней странице)

## УКРАЇНСЬКА

### Додаток А: Декларація про відповідність стандартам ЄС

Ми, як виробник: **Makita Europe N.V.**, адреса компанії: **Jan-Baptist Vinkstraat 2, 3070 Kortenberg, Бельгія**. Надаємо **Yasushi Fukaya**, уповноваження складати технічну документацію і з повною відповідальністю заявляємо щодо виробу(ів) таке; Найменування: **Бездротовий дріль для свердління під кутом**. Визначення типу(ів): **DA332D, DA333D**. Відповідають усім відповідним положенням **2006/42/EC**, а також відповідають усім відповідним положенням таких директив ЄС/ЄС: **2014/30/EU, 2011/65/EU** та виготовлені згідно таких єдиних стандартів: **EN 60745-1:2009+A11:2010, EN 60745-2-1:2010, EN 55014-1:2006+A1:2009+A2:2011, EN 55014-2:2015** і такого внутрішнього документу: **Процедура керування обмеженням використання небезпечних речовин QSDA001-QC Makita**.

Місце декларування: **Kortenberg, Бельгія**. Відповідальна особа: **Yasushi Fukaya, директор – Makita Europe N.V.** (Визначення типу, серійний номер (S/N), дата і підпис на останній сторінці)

## 中文

### 附录A: EC一致性声明

我们作为制造商: **Makita Europe N.V.**, 营业地址: **Jan-Baptist Vinkstraat 2, 3070 Kortenberg, 比利时**。授权 **Yasushi Fukaya** 编译技术文件, 并在我们单独负责之下声明产品; 名称: **充电式角向电钻**。类型名称: **DA332D, DA333D**。满足 **2006/42/EC** 的所有相关条款, 并且也满足以下 **CE/EU** 指示的所有相关条款: **2014/30/EU, 2011/65/EU**, 并根据以下协调标准: **EN 60745-1:2009+A11:2010, EN 60745-2-1:2010, EN 55014-1:2006+A1:2009+A2:2011, EN 55014-2:2015** 和内部文档: **QSDA001-QC Makita RoHS 管理程序而制造**。声明地点: **Kortenberg, 比利时**。负责人: **Yasushi Fukaya, 总监 – Makita Europe N.V.** (最后一页上的类型指定、序列号(S/N)、日期和签名)





*Yasushi Fukaya*

30.06.2017

**Makita Europe N.V.**

Jan-Baptist Vinkstraat 2,  
3070 Kortenberg, Belgium

IDE

885606A508